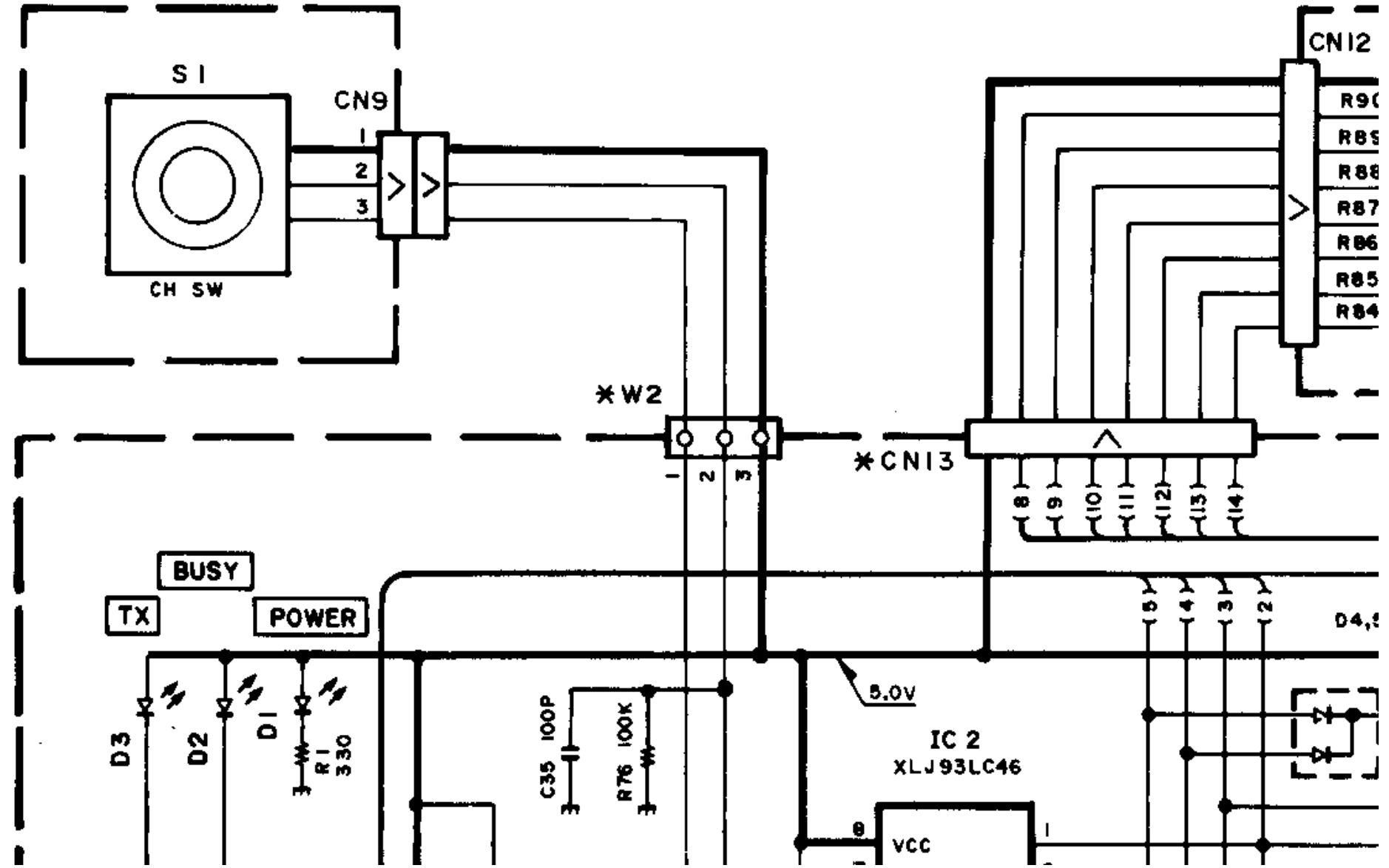
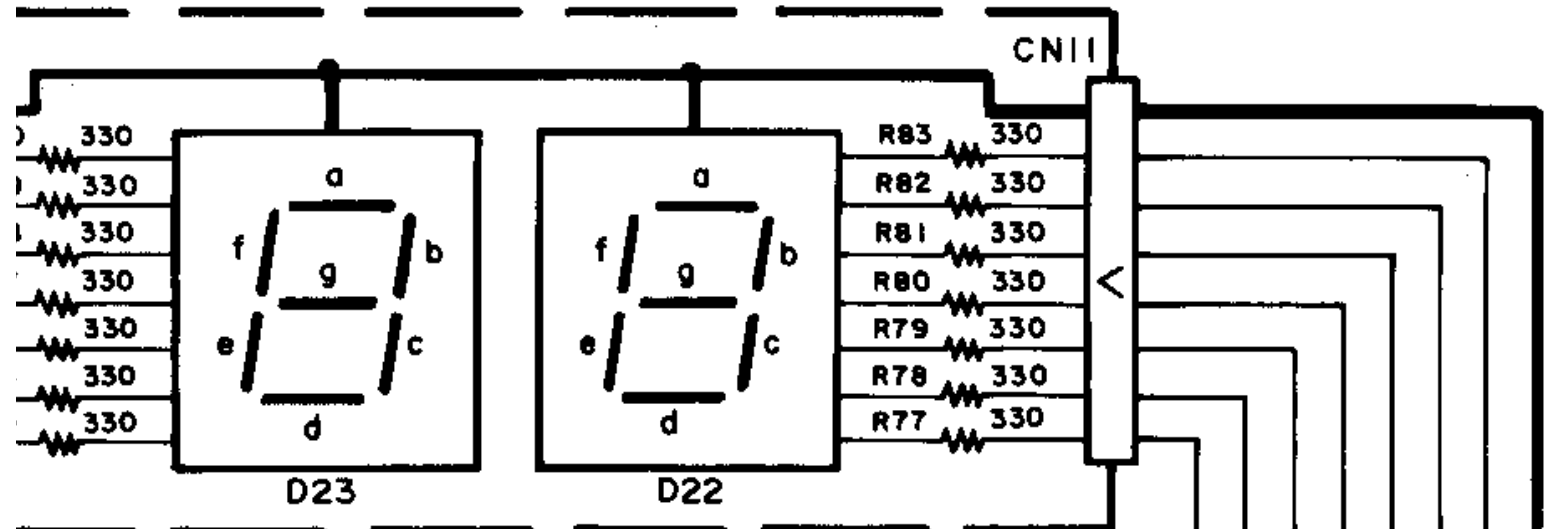


* (X54-3070-XX) (D/4)



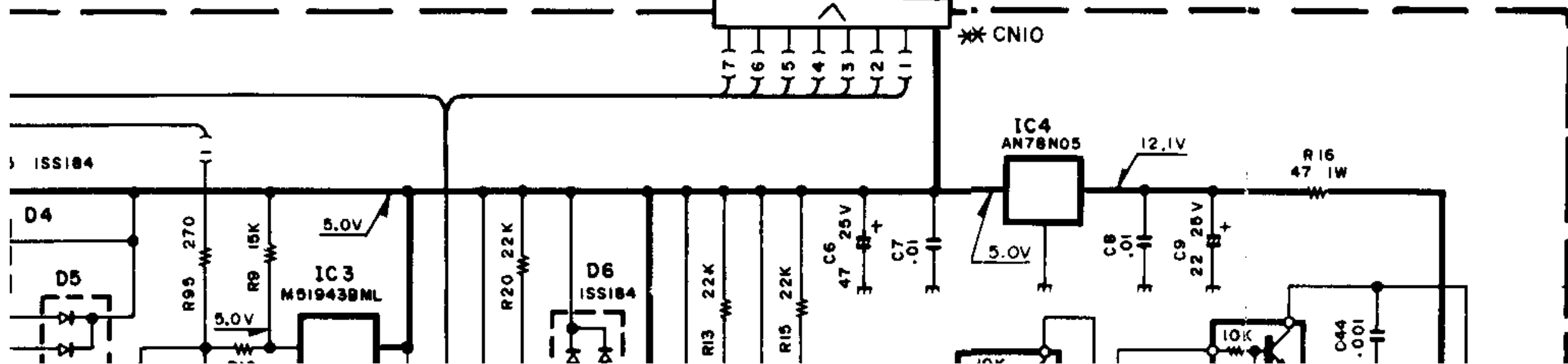
54-3070-XX) (C/4)



X54-3070-XX

	(C/4)	(D/4)	CN10,13	D21	C45,46	JP4	W2
-12 (K,K2,M,M2,NM,NM2)	NO	NO	NO	YES	YES	NO	NO
-14 (AM,AM2)	YES	YES	YES	NO	NO	YES	YES

DISPLAY UNIT
(X54-3070-XX) (A/4)



X57-3760-XX

-10 (K,M,AM)

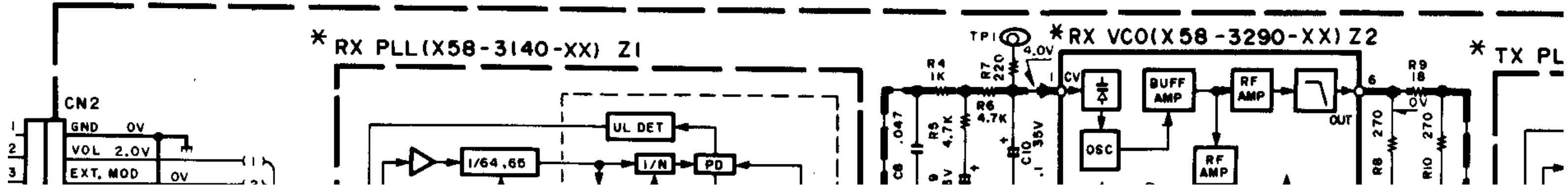
-11 (K2,M2,A)

-12 (NM)

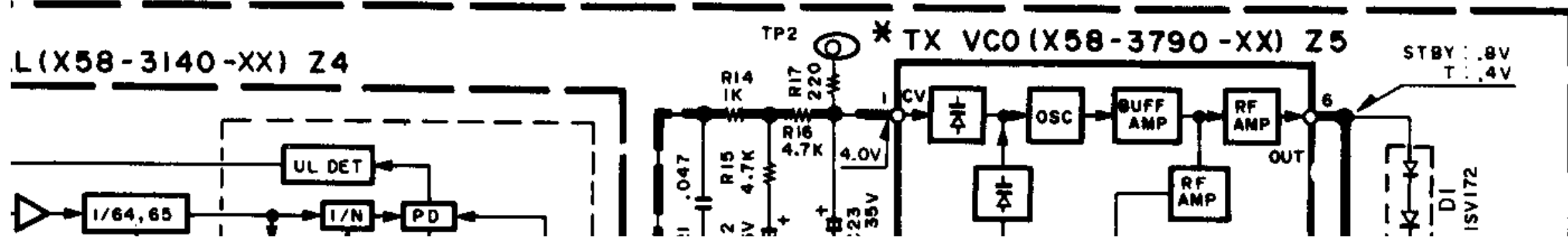
-13 (NM2)

ASS'Y (X60-3230-XX)

TX-RX UNIT (X57-3760-XX)



	C102	C103	C104	C106	C107	C109	C110	C112	C113	C115	C116	R35	R41	XF1	CF1	RX PLL/TX PLL	RX VCO	TX VCO
	8P	39P	2P	8P	56P	43P	2P	7P	2P	9P	22P	1.8K	33K	L71-0274-05	L72-0339-05	X58-3140-10	X58-3290-10	X58-3790-10
M2)	10P	56P	1.5P	9P	75P	82P	1.5P	9P	1.5P	10P	33P	1.8K	33K	L71-0274-05	L72-0339-05	X58-3140-10	X58-3290-11	X58-3790-11
	8P	39P	2P	8P	56P	43P	2P	7P	2P	9P	22P	1.2K	0	L71-0417-05	L72-0360-05	X58-3140-51	X58-3290-10	X58-3790-10
	10P	56P	1.5P	9P	75P	82P	1.5P	9P	1.5P	10P	33P	1.2K	0	L71-0417-05	L72-0360-05	X58-3140-51	X58-3290-11	X58-3790-11



DRIVE UNIT
(X45-3310-XX)

Q101 7.8V
25CC2954
.66 V

SCHEMATIC DIAGRAM TKR

X60-3230-XX

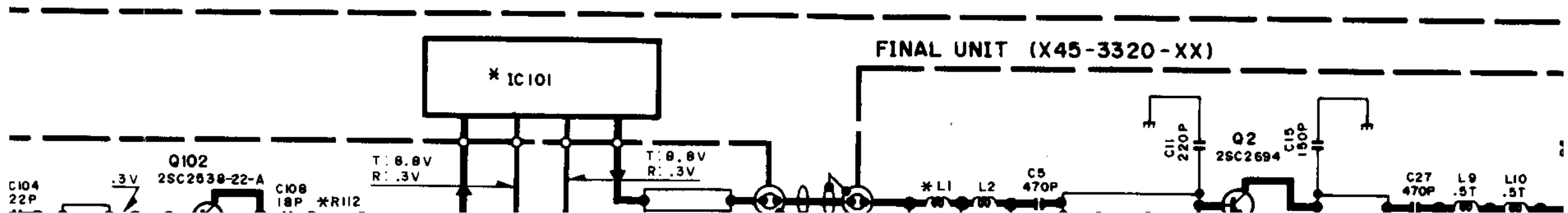
	IC101
-10 (K,M,AM)	M57719
-11 (K2,M2,AM2)	M57719L-24
-12 (NM)	M57719
-13 (NM2)	M57719L-24

X45-3310-XX

	C120	R103	R111,113	R112
-10 (K,M,AM,NM)	NO	18	270	18
-11 (K2,M2,AM2,NM2)	YES	33	150	39

X45-3320-XX

	C2	C3	C7	C25	C28	C29,3
-11 (K,M,AM,NM)	NO	24P	120P	120P	100P	36P
-12 (K2,M2,AM2,NM2)	YES	27P	180P	160P	120P	39P



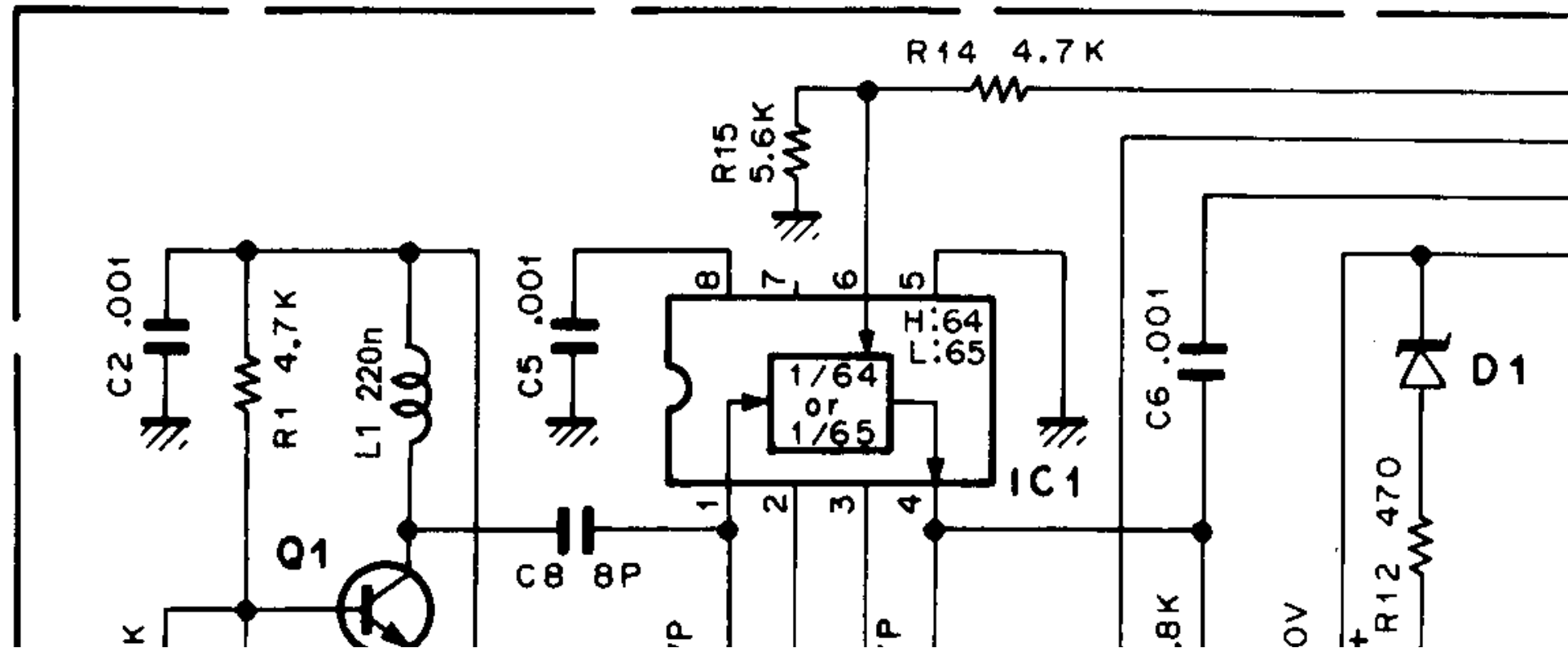
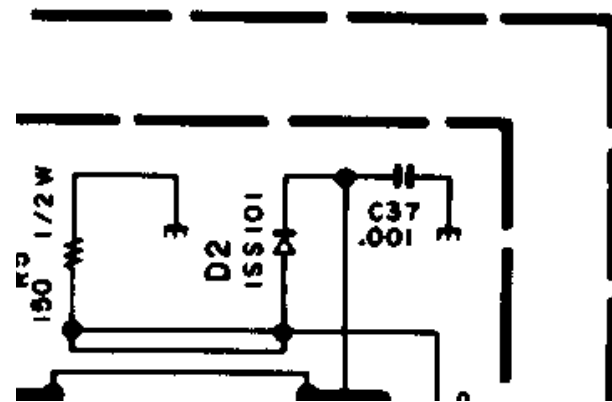
R-720/N/A

PC BOARD VIEWS/CIRCUIT DIAG

RX PLL : Z1, TX PLL : Z4 (X58-3140-XX) -10 : K,M,A

RX PLL, TX PLL (X58-3140-XX)

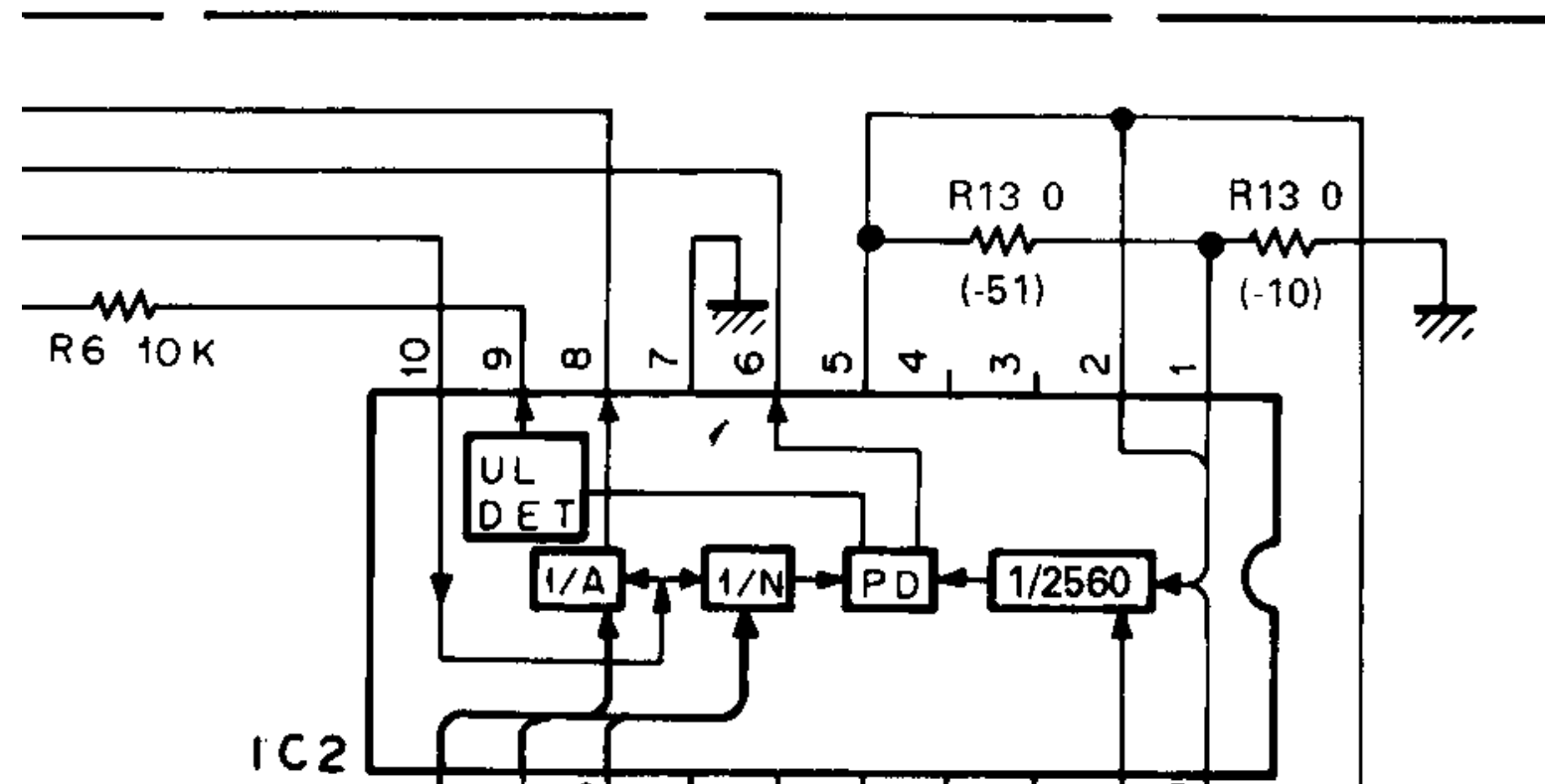
0	C32	C33	C34	C35	L1
	18P	39P	39P	YES	L34-1039-05
	22P	51P	47P	NO	L34-0951-05



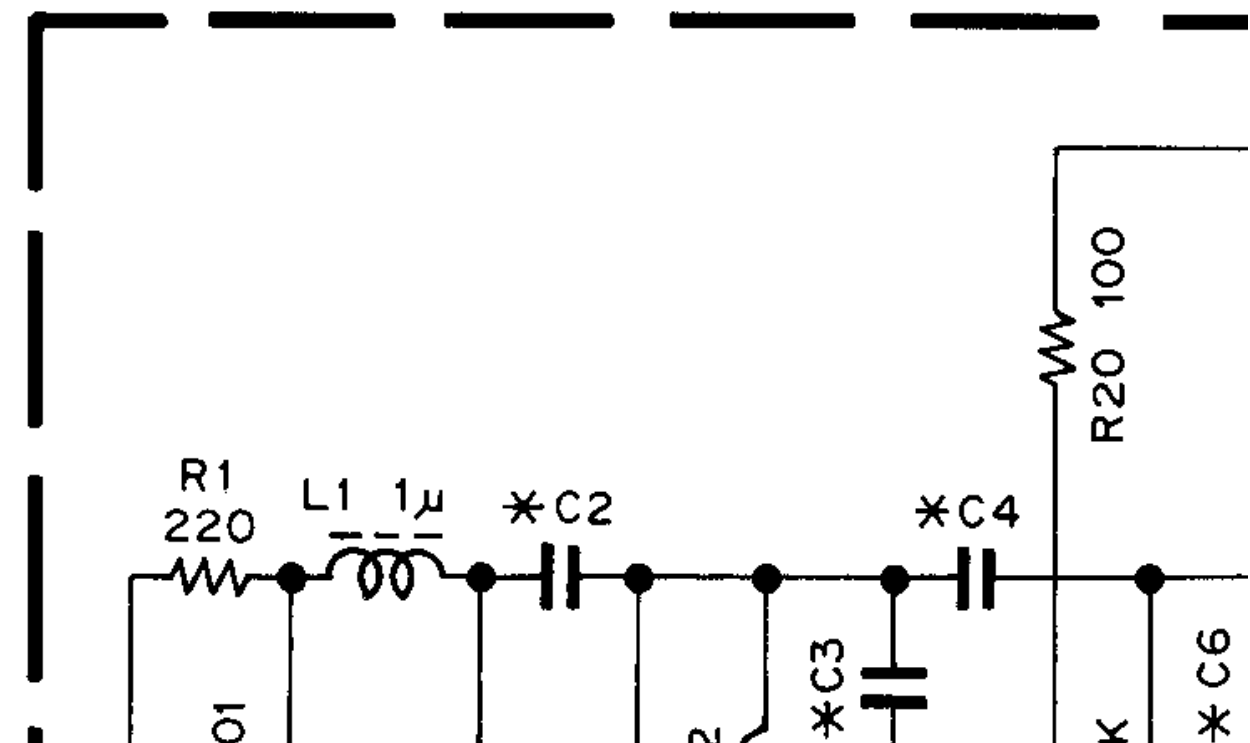
RAM TKR-720/N/A

PC BOARD VIEWS

M,K2,M2,AM2 -51 : NM,NM2

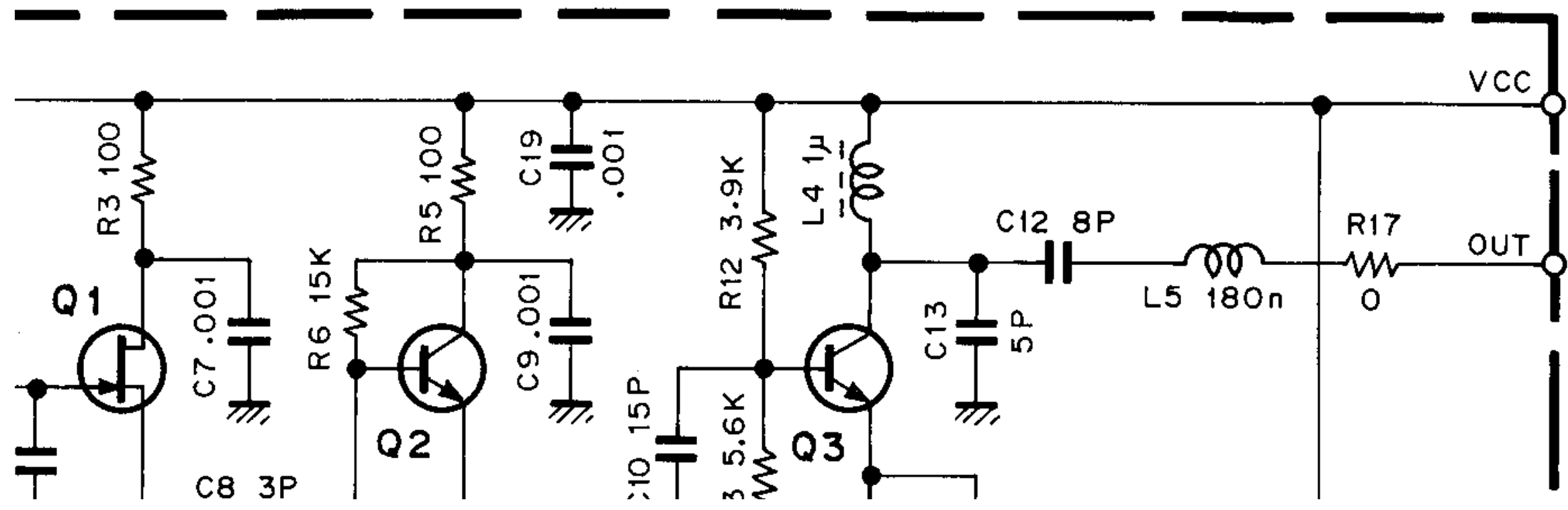


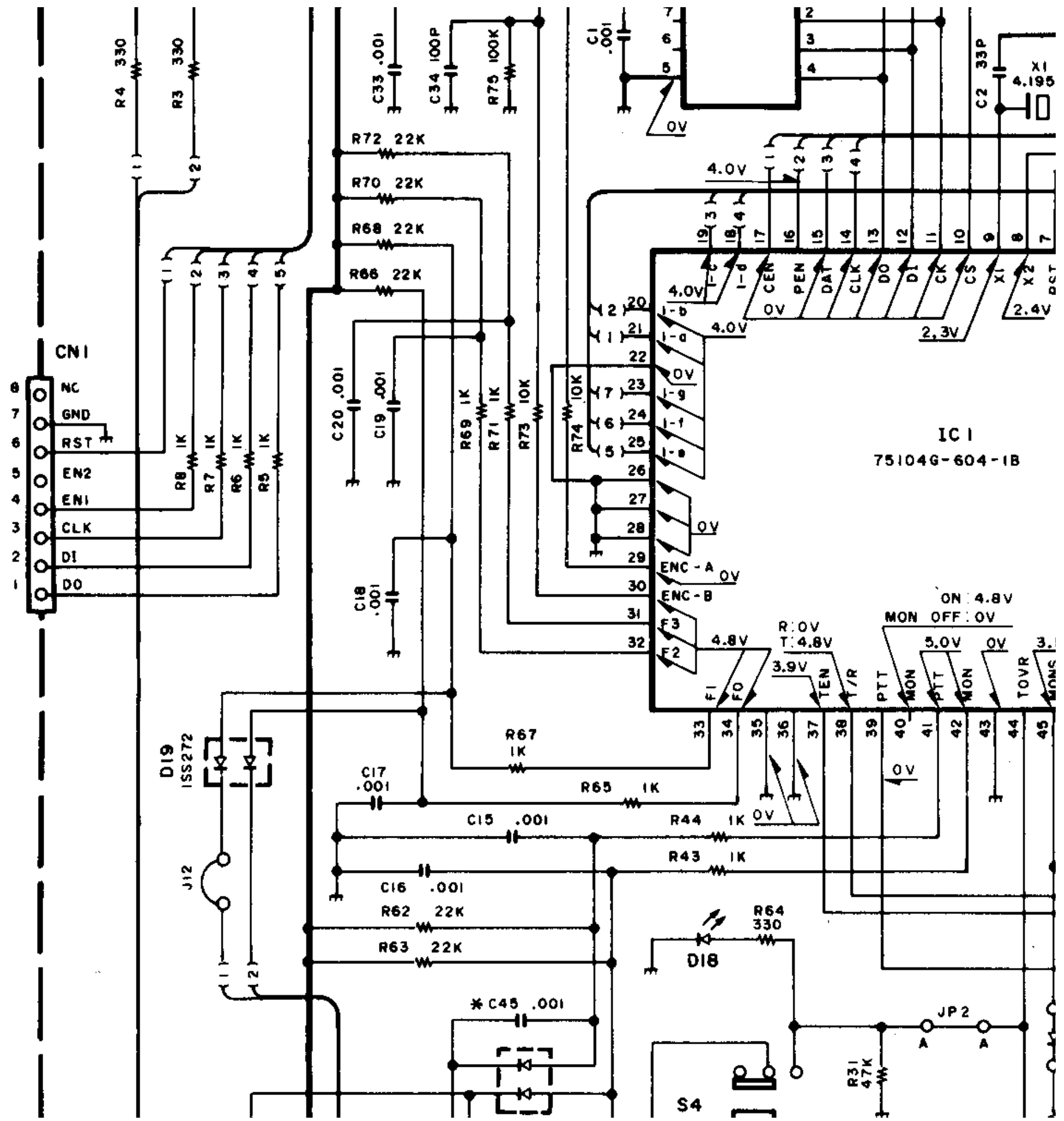
TX VCO : Z5 (X58-3790-XX) -
TX VCO (X58-3790-XX)

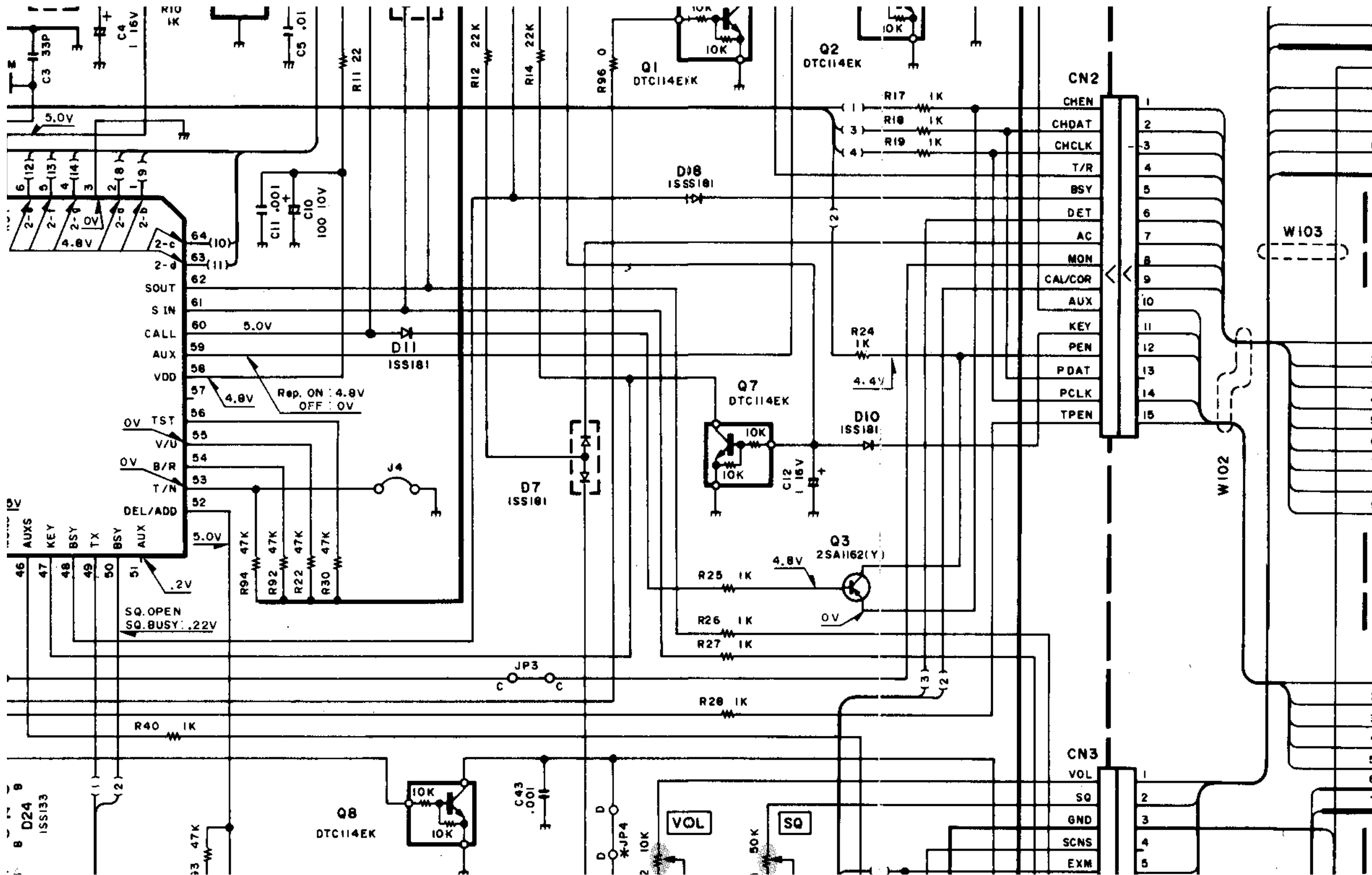


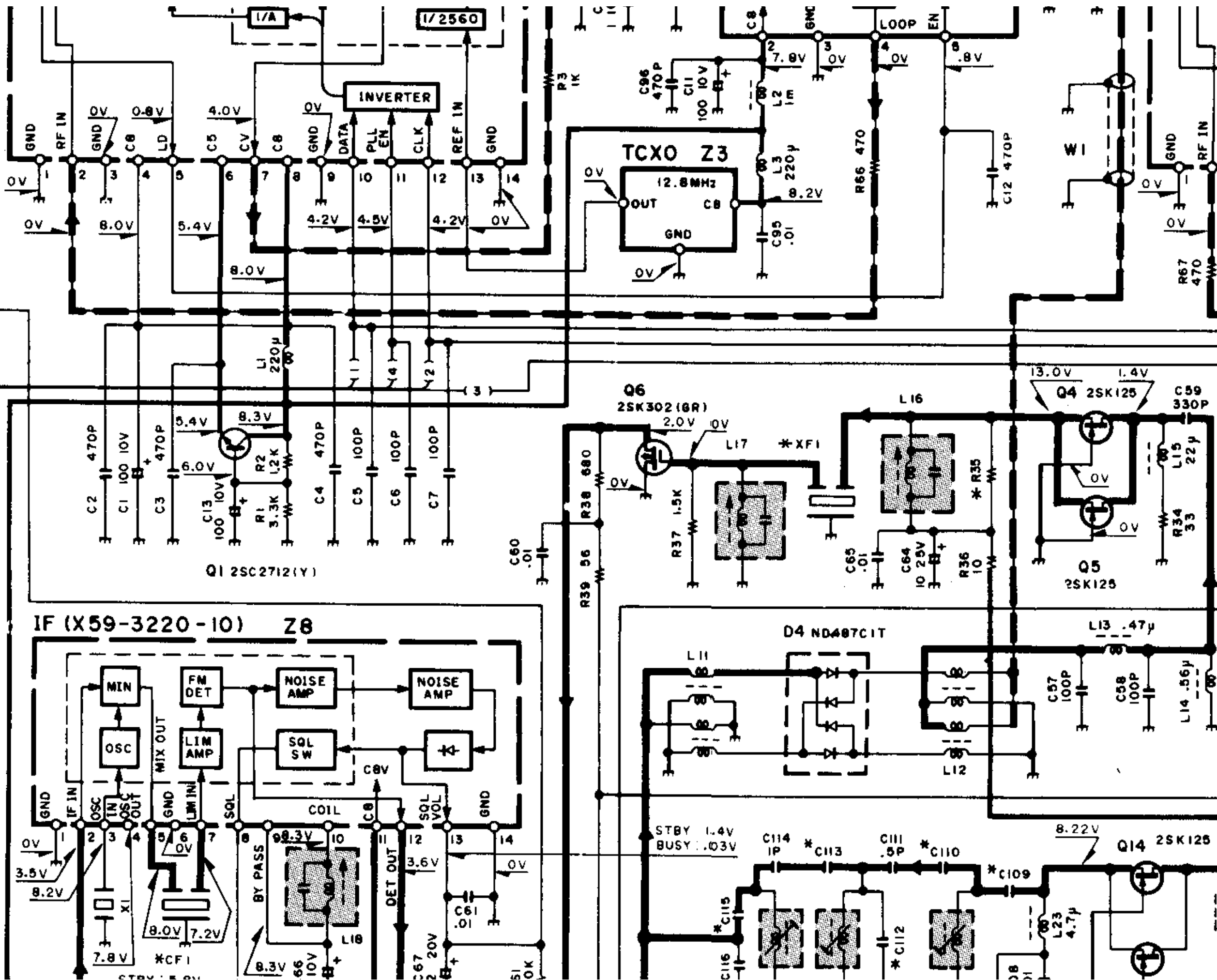
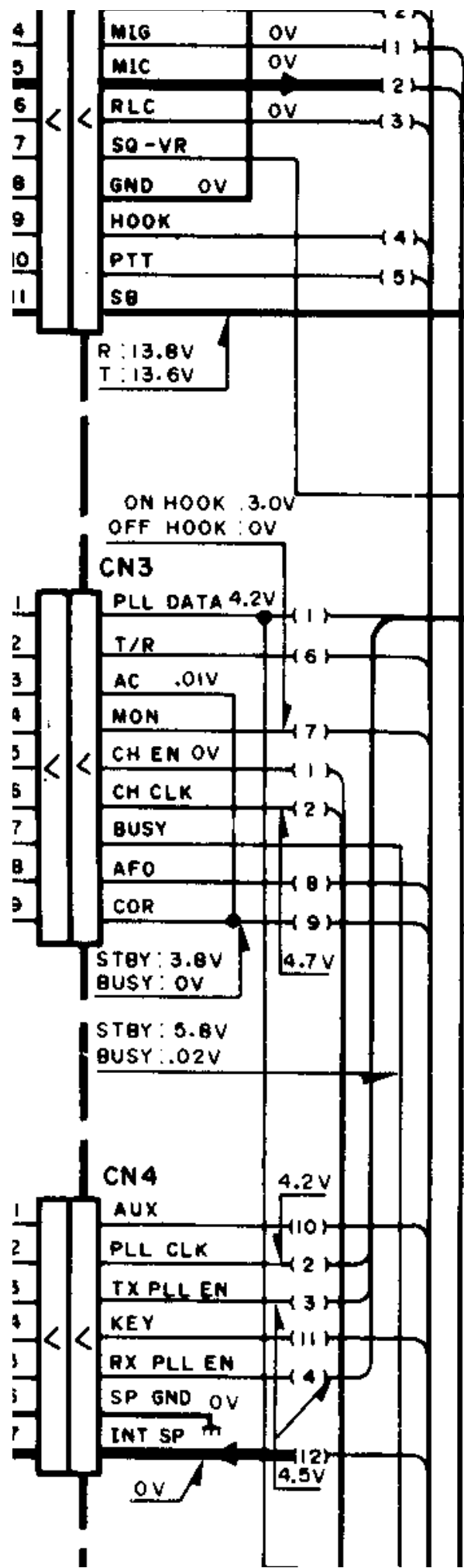
SCHEMATIC/CIRCUIT DIAGRAM TKR-720/N/A

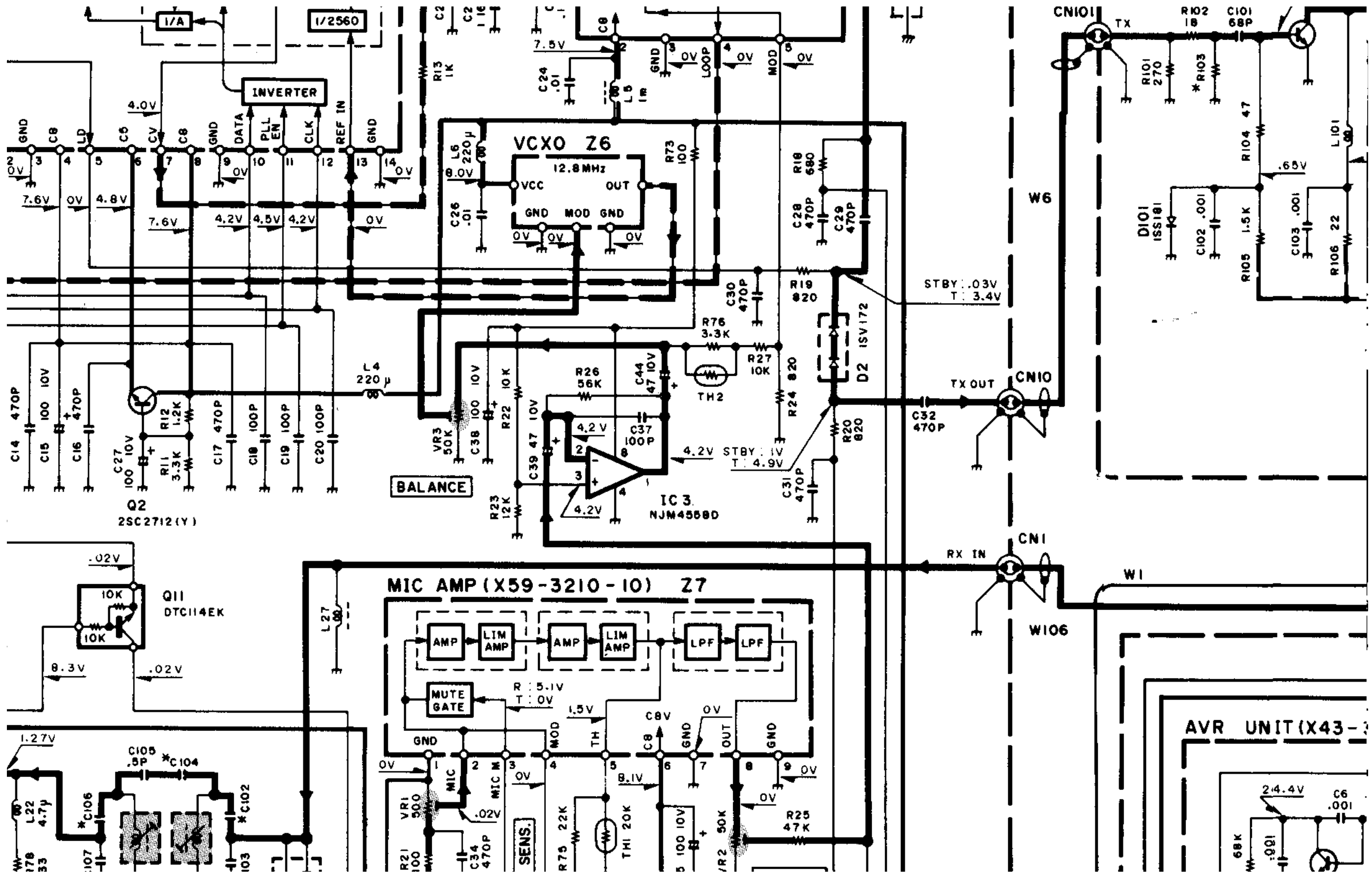
10 : K,M,NM,AM -11 : K2,M2,NM2,AM2

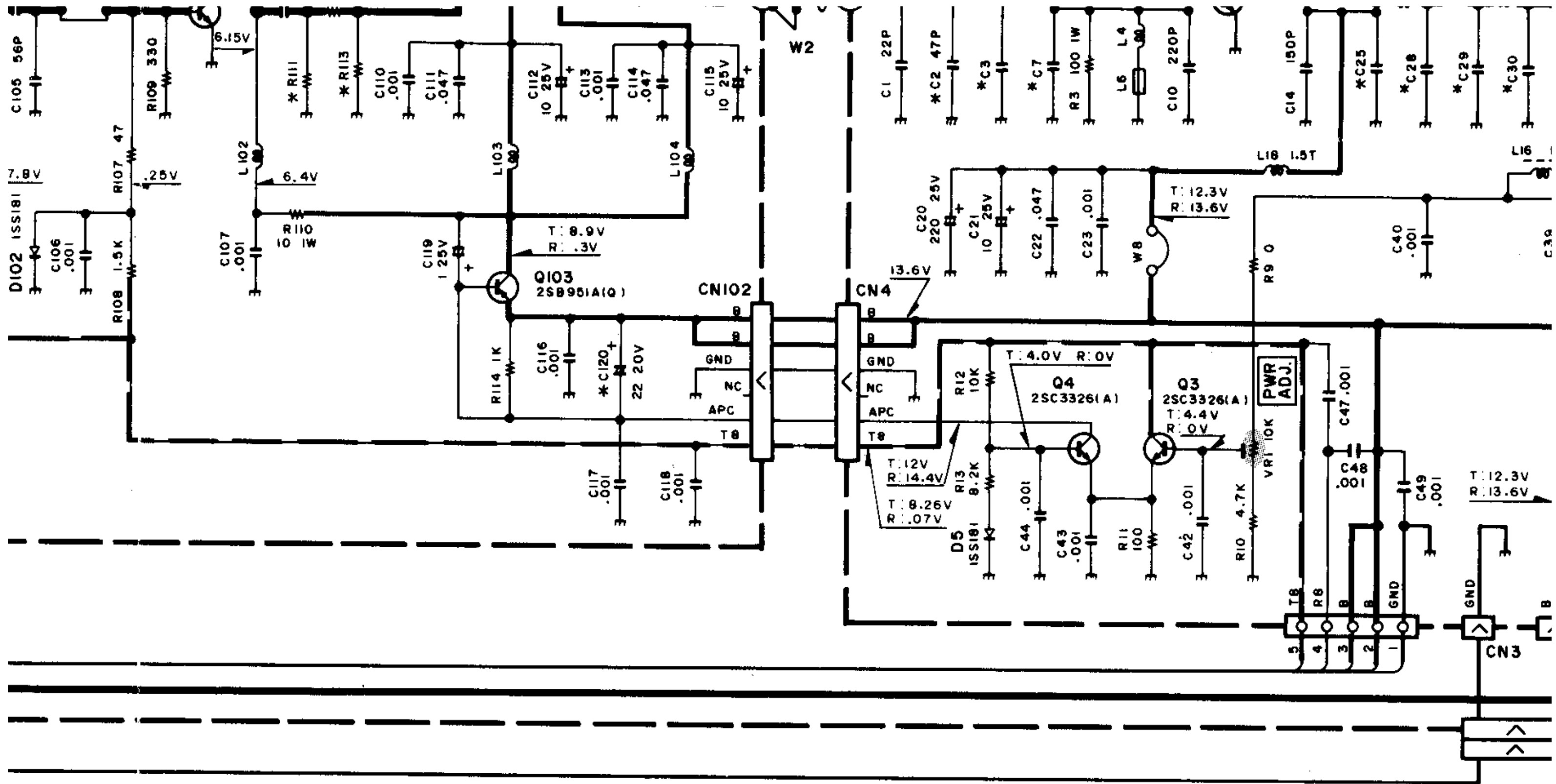




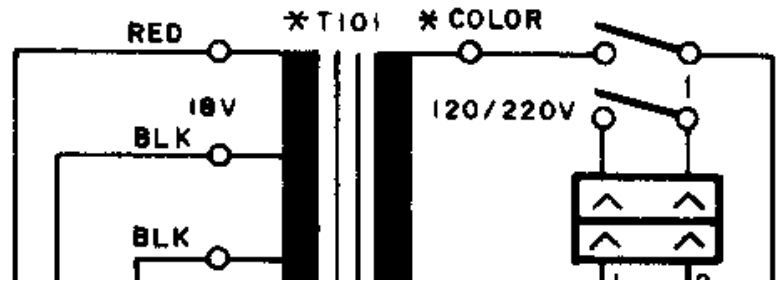
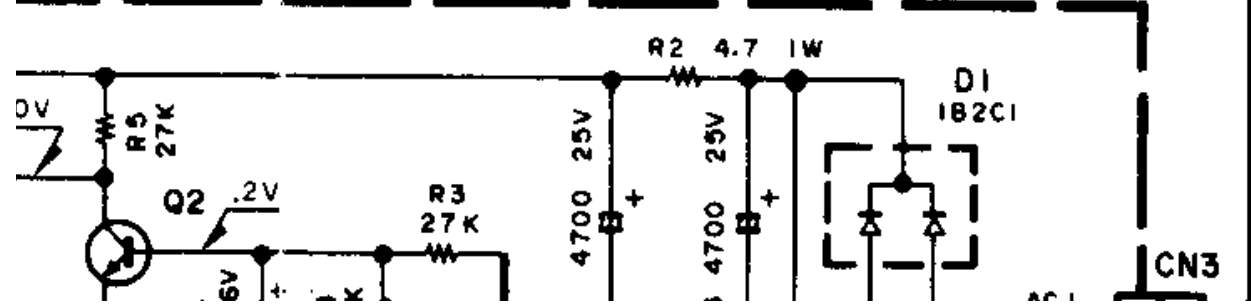








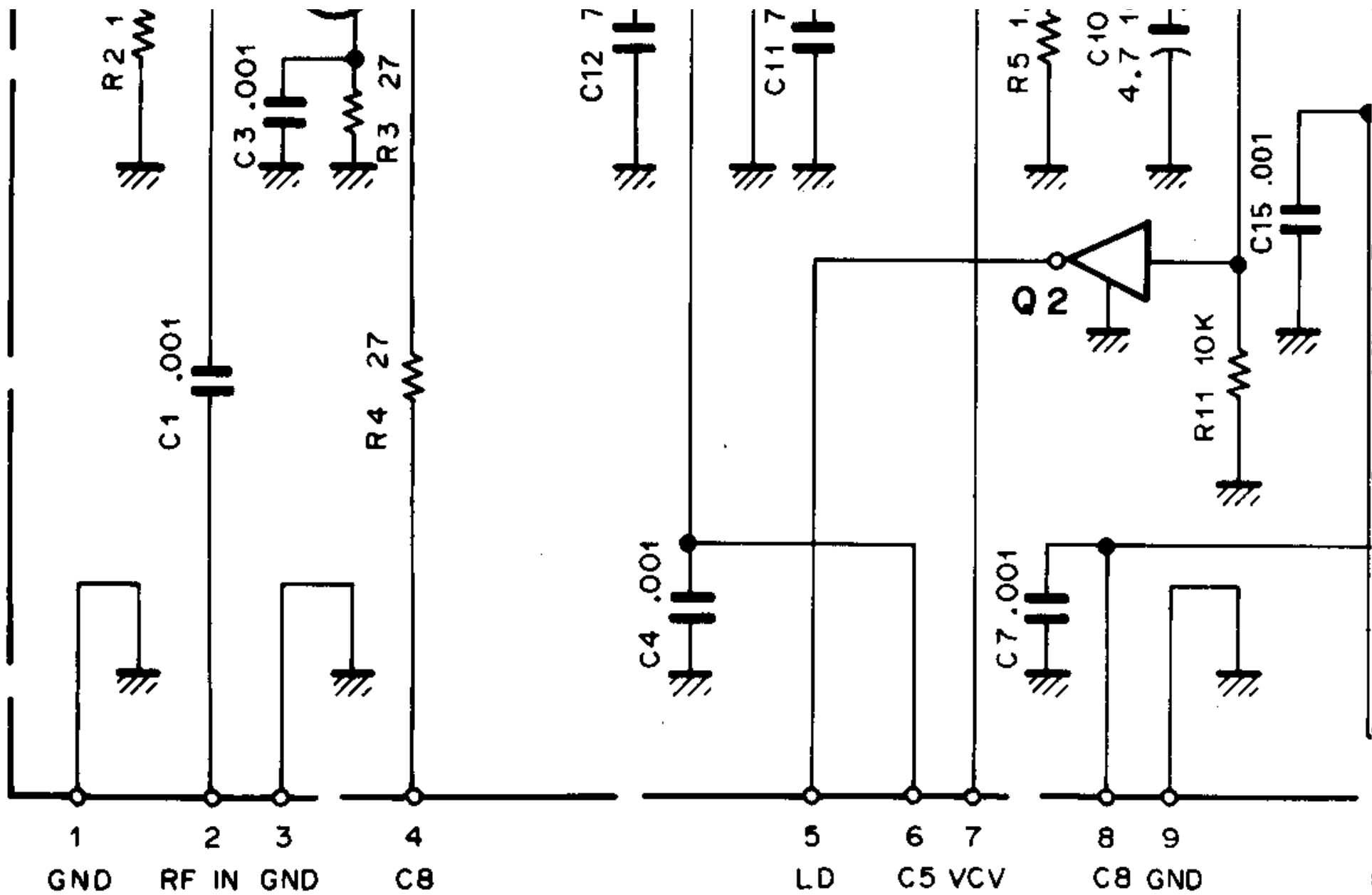
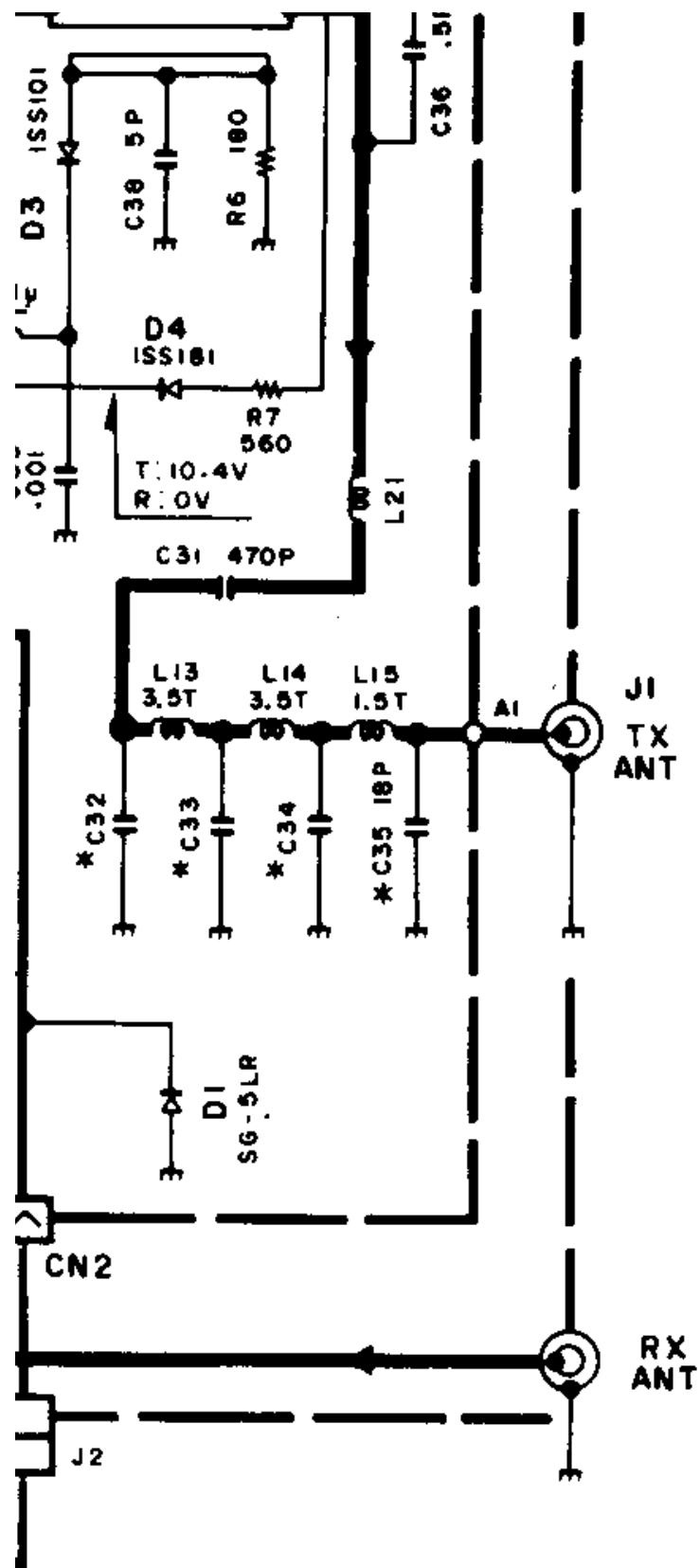
3040-10) (A/2)



S101
POWER

	T101	COLOR
K,K2	L01-8341-05	RED
M,M2,AM,AM2,NM,NM2	L01-8347-05	BRN

(X43-3040-10)
Q1~3 : 2SC271
Q4 : 2SB968



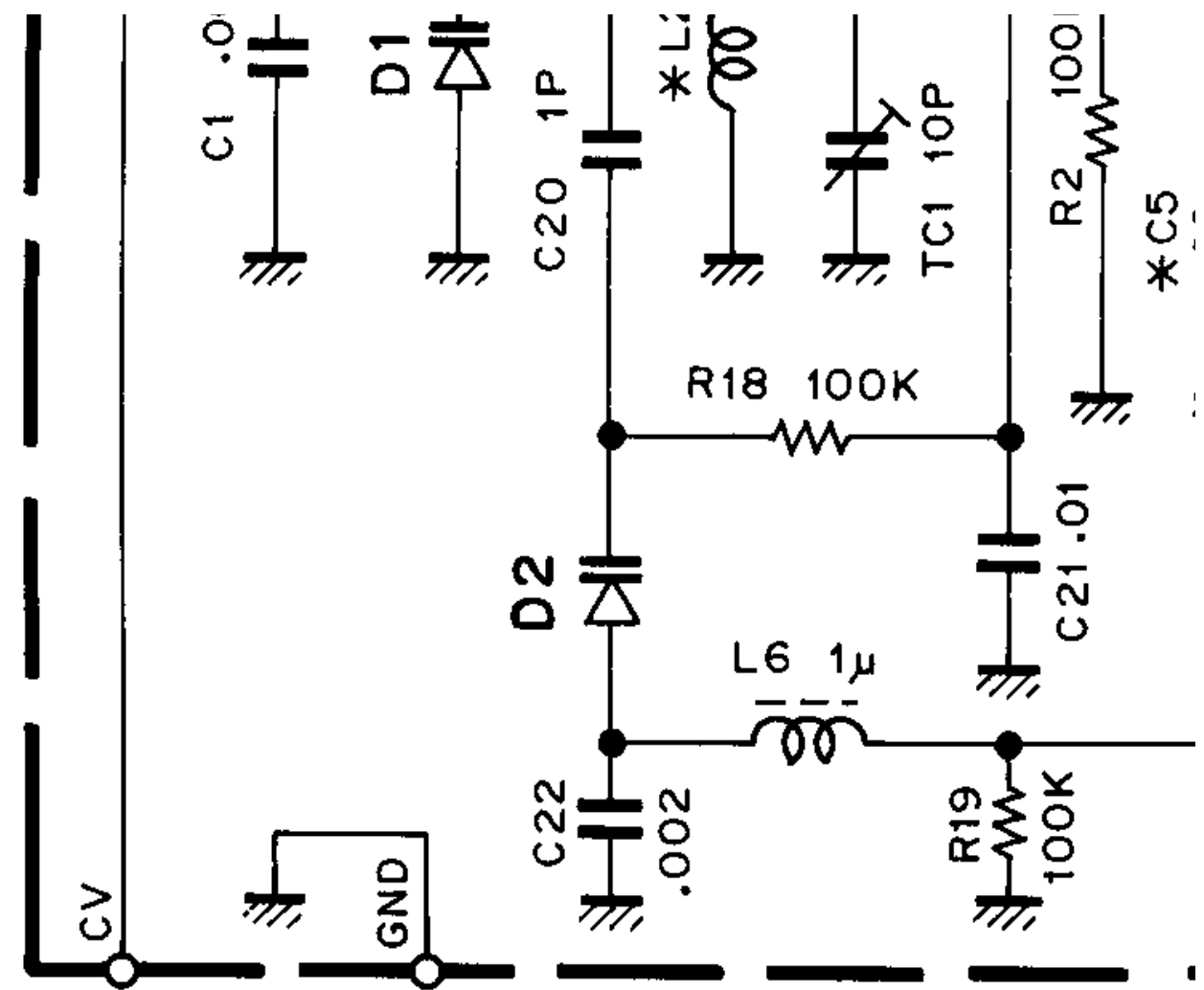
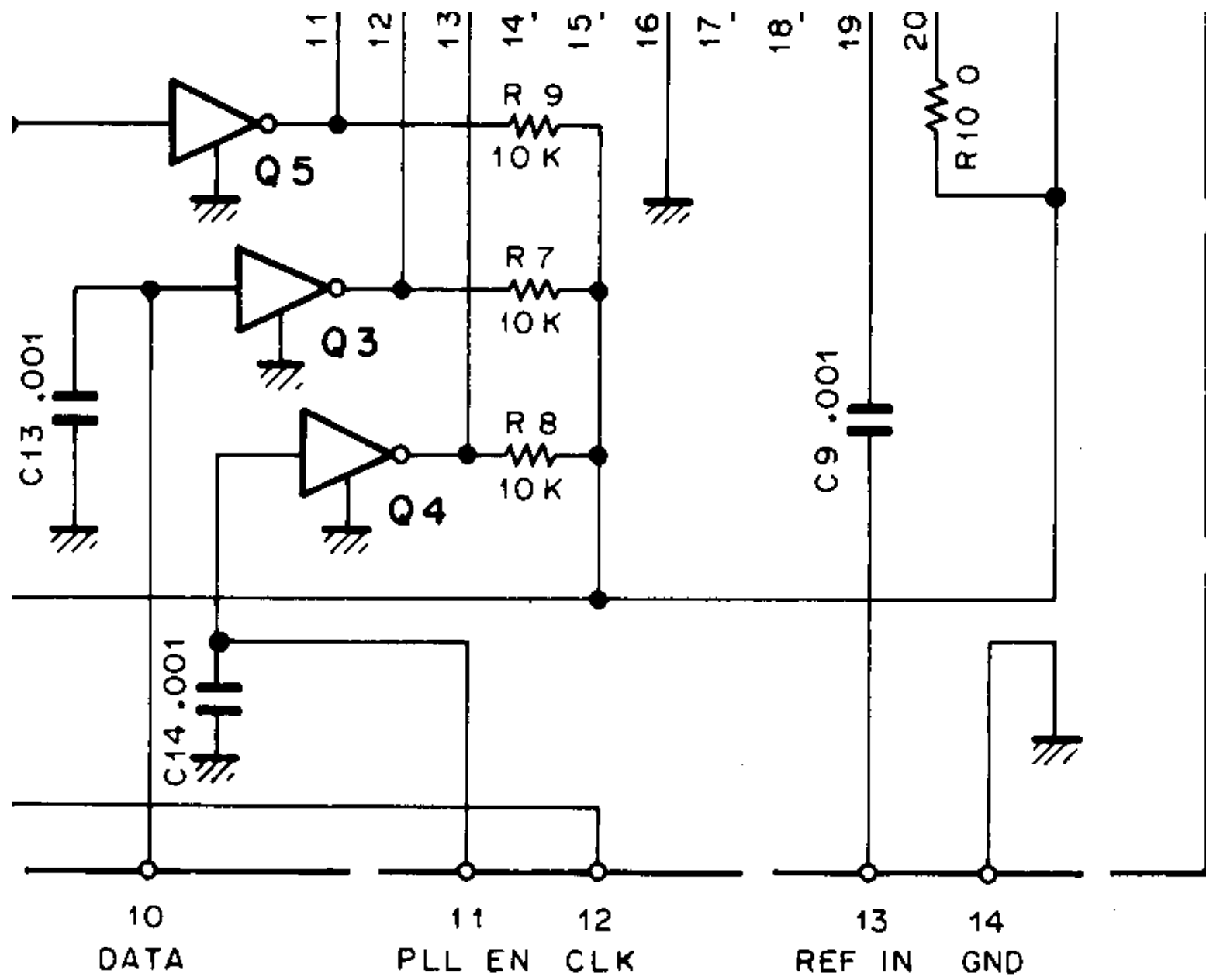
- Q1 : 2SC2714(Y)
- Q2~5 : DTC114EK
- IC1 : MB504F
- IC2 : JLC1075F or JLC1075DW
- D1 : RD3.0M(B2)

(X57-3760-XX)
 12(Y) IC1 : μPC1242H
 3(Q) IC2 : MB3756

Component side view

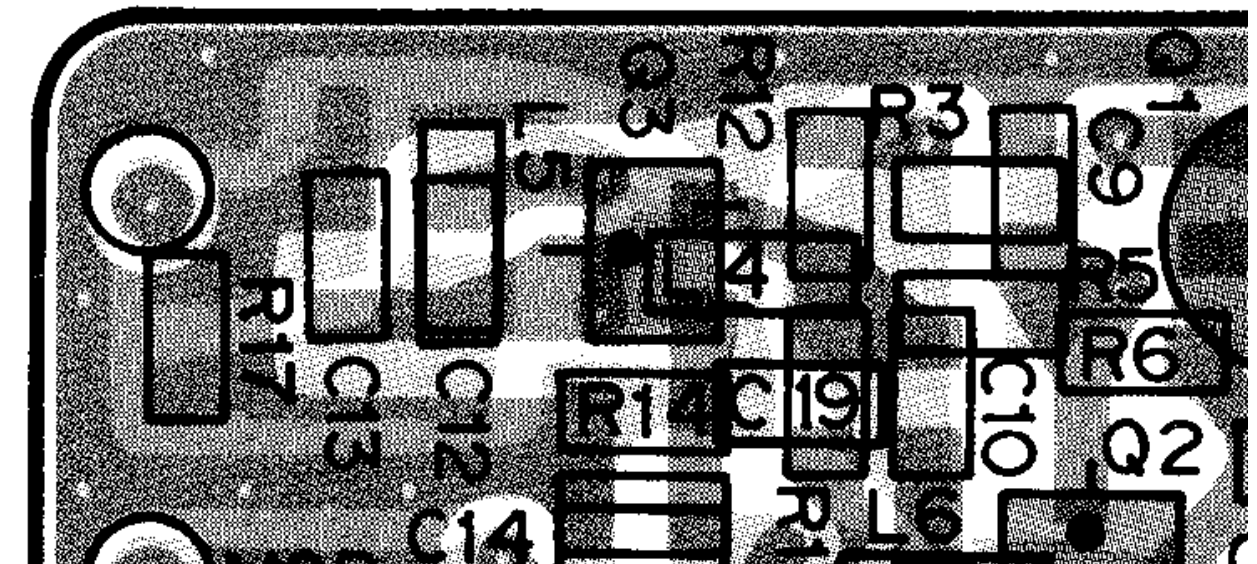
Foil side



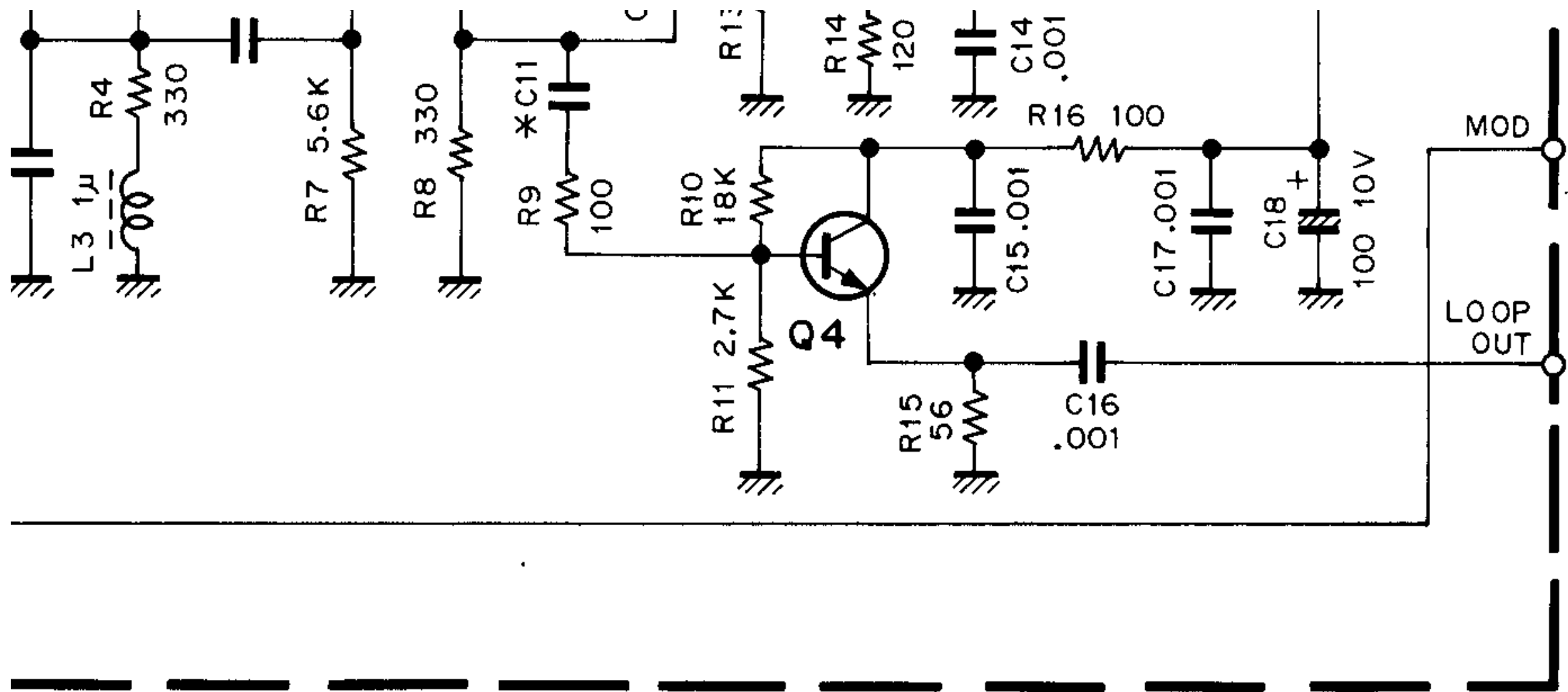


- Q 1 : 2SK125
- Q 2 : 2SC2714
- Q 3, 4 : 2SC3356

Component side view

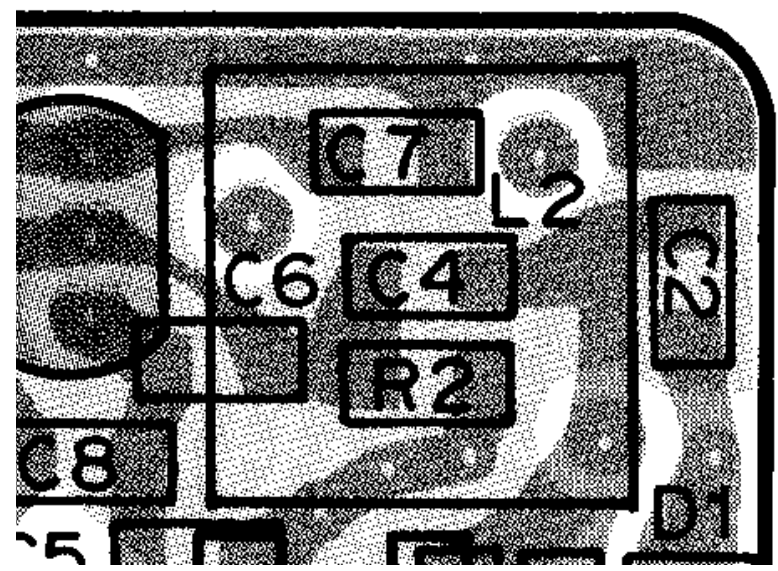


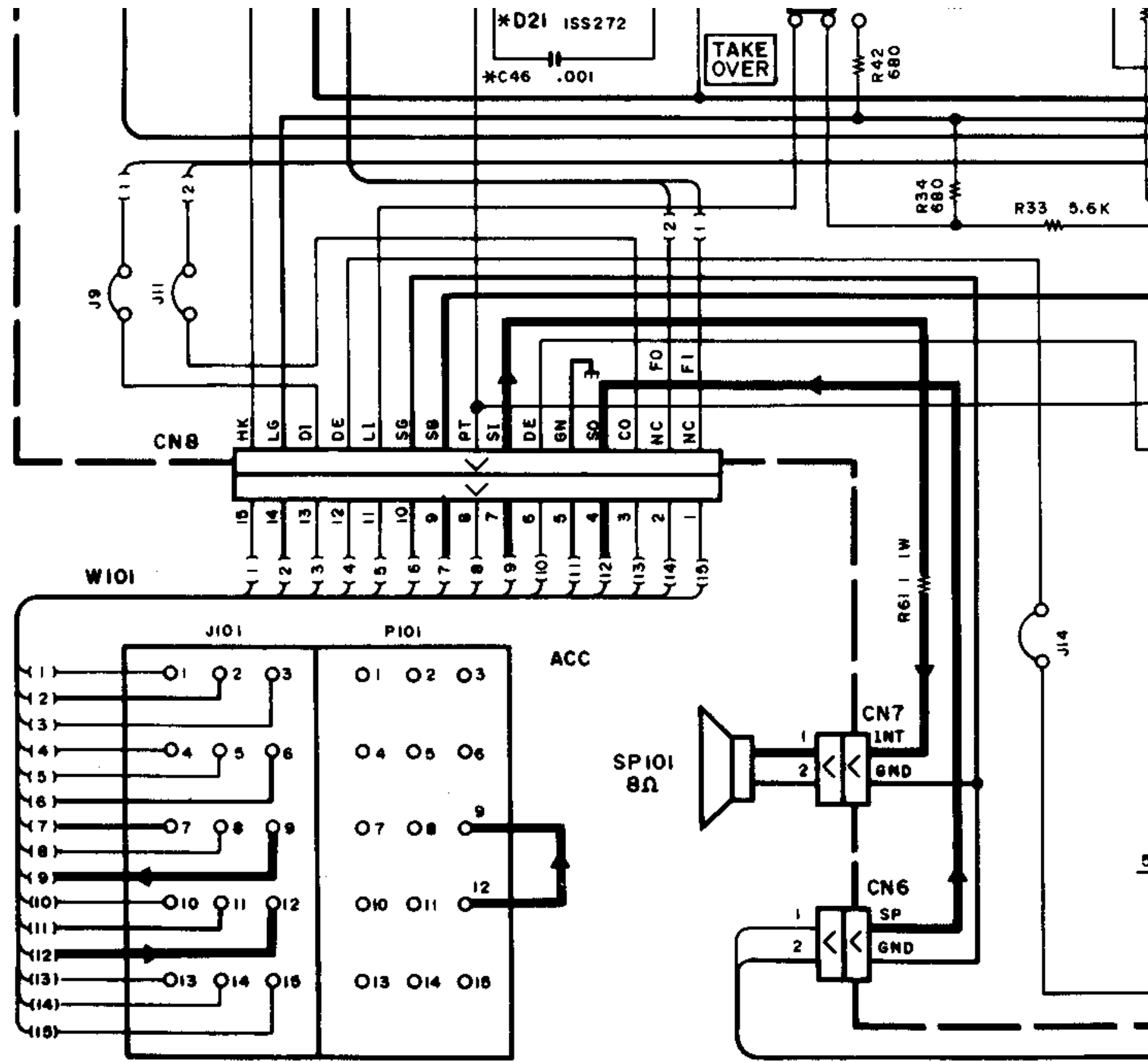
e view



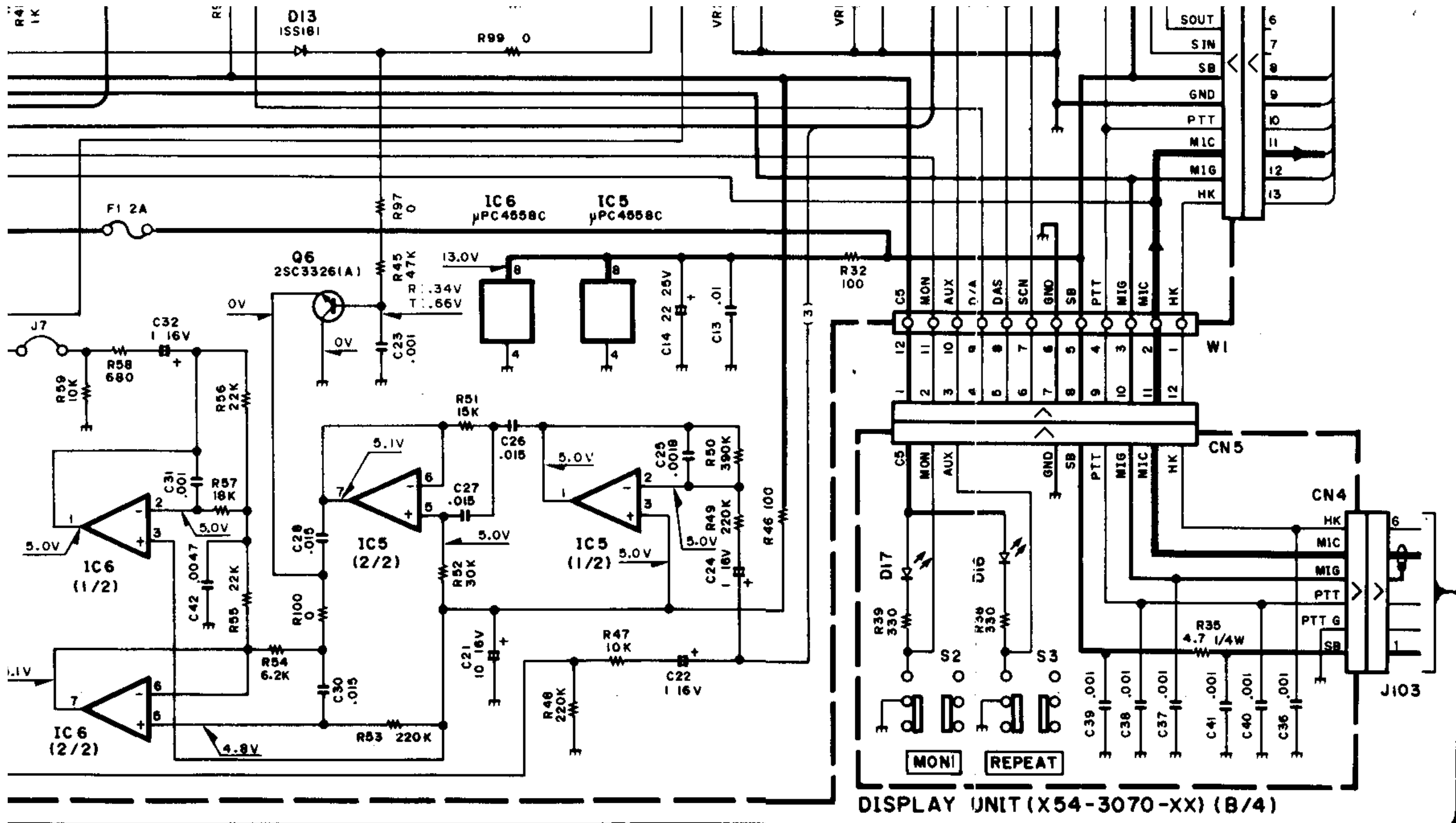
D1 : 1SV166
 D2 : 1SV164

	C2	C3	C4	C5	C6	C11	L2
-10	18P	56P	9P	4P	6P	1P	L34-2309-05
-11	15P	47P	12P	6P	10P	3P	L32-0658-05

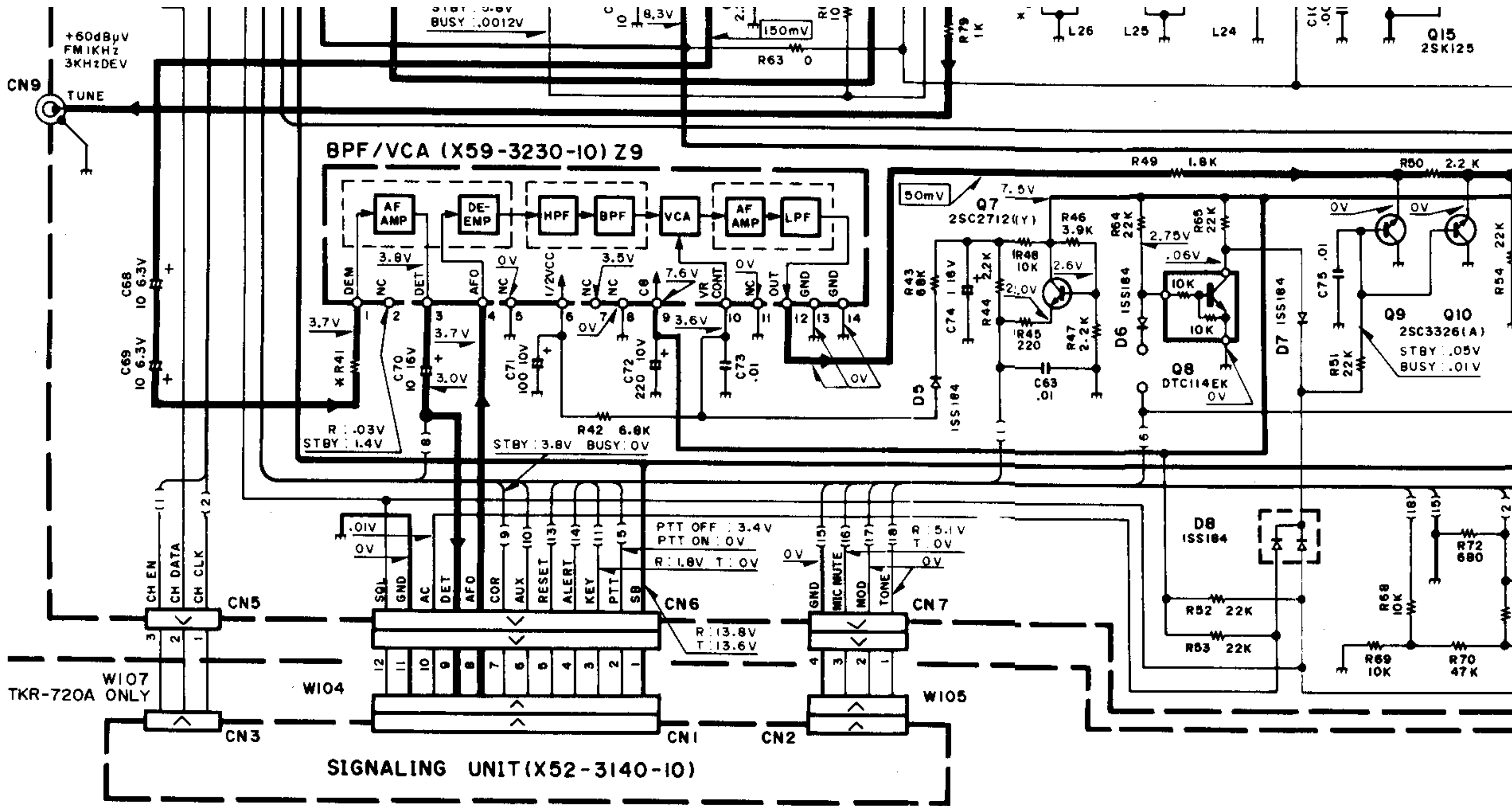


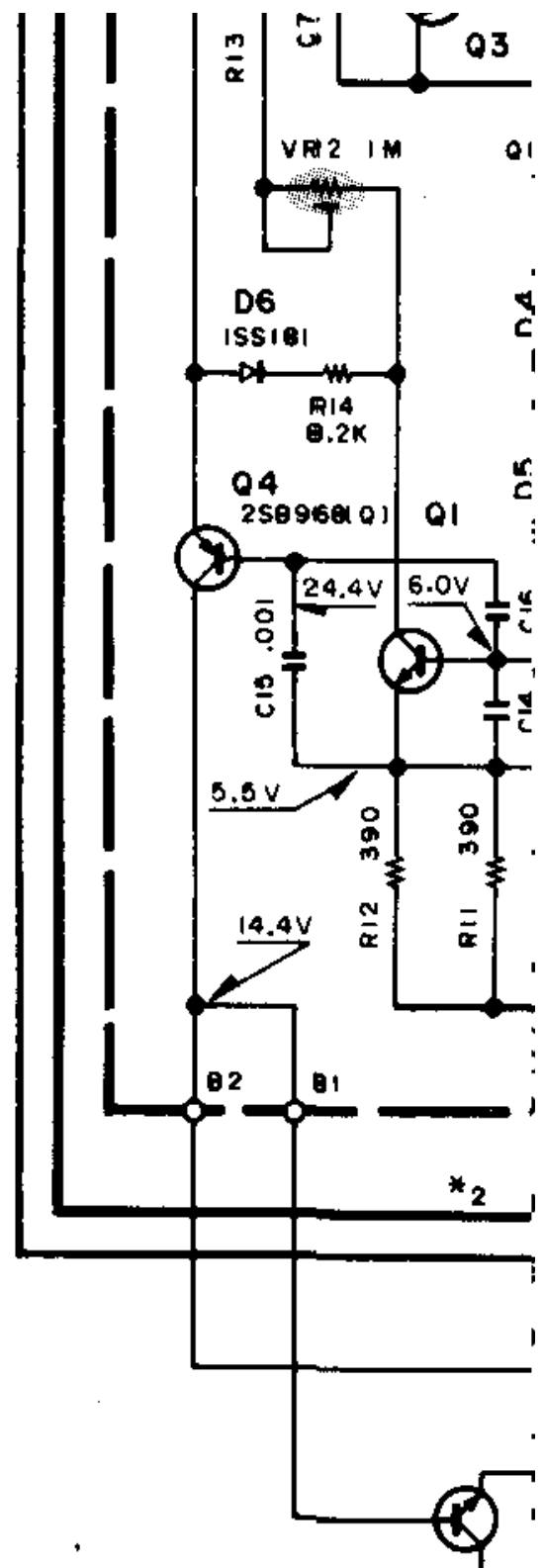
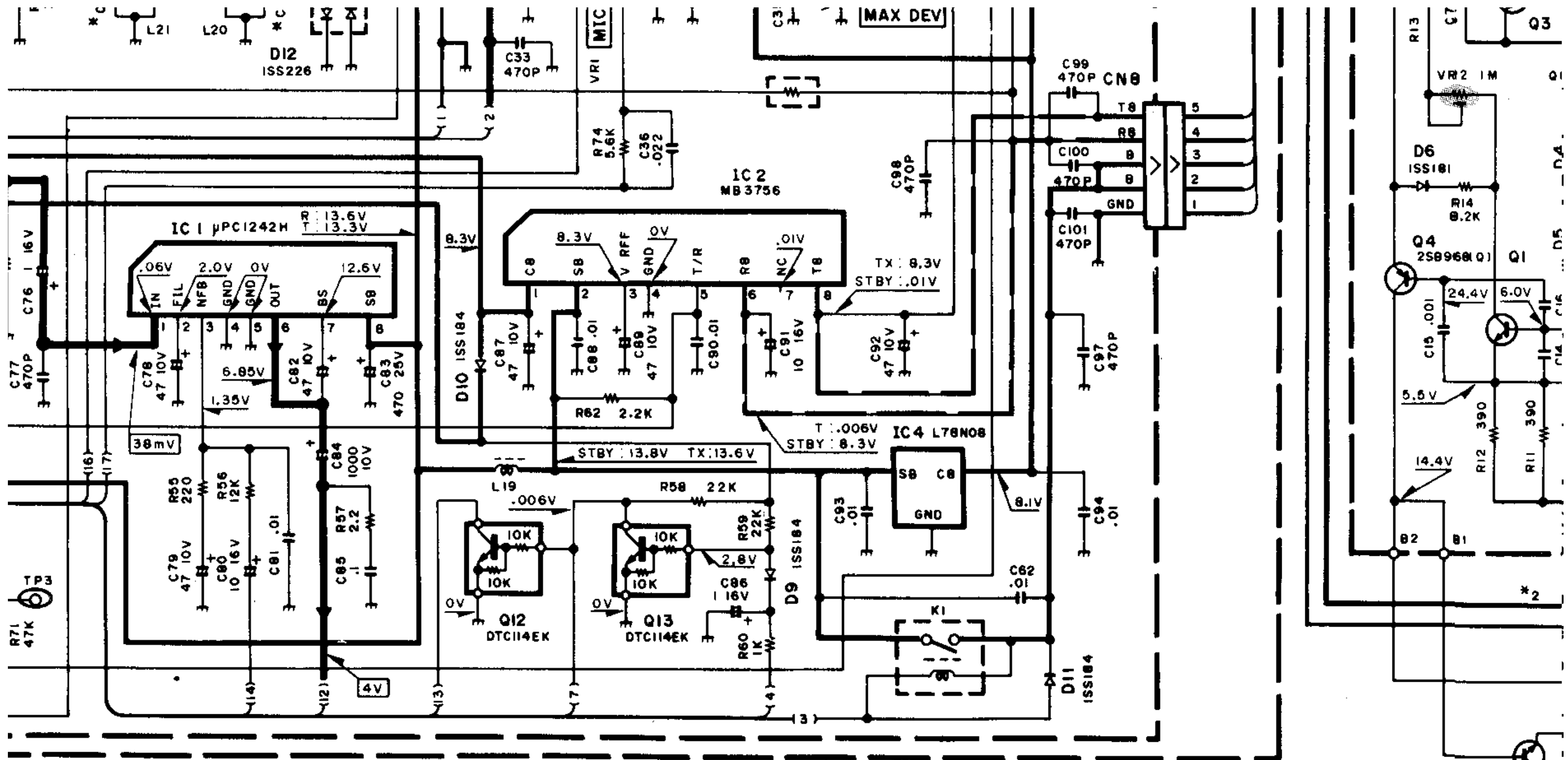


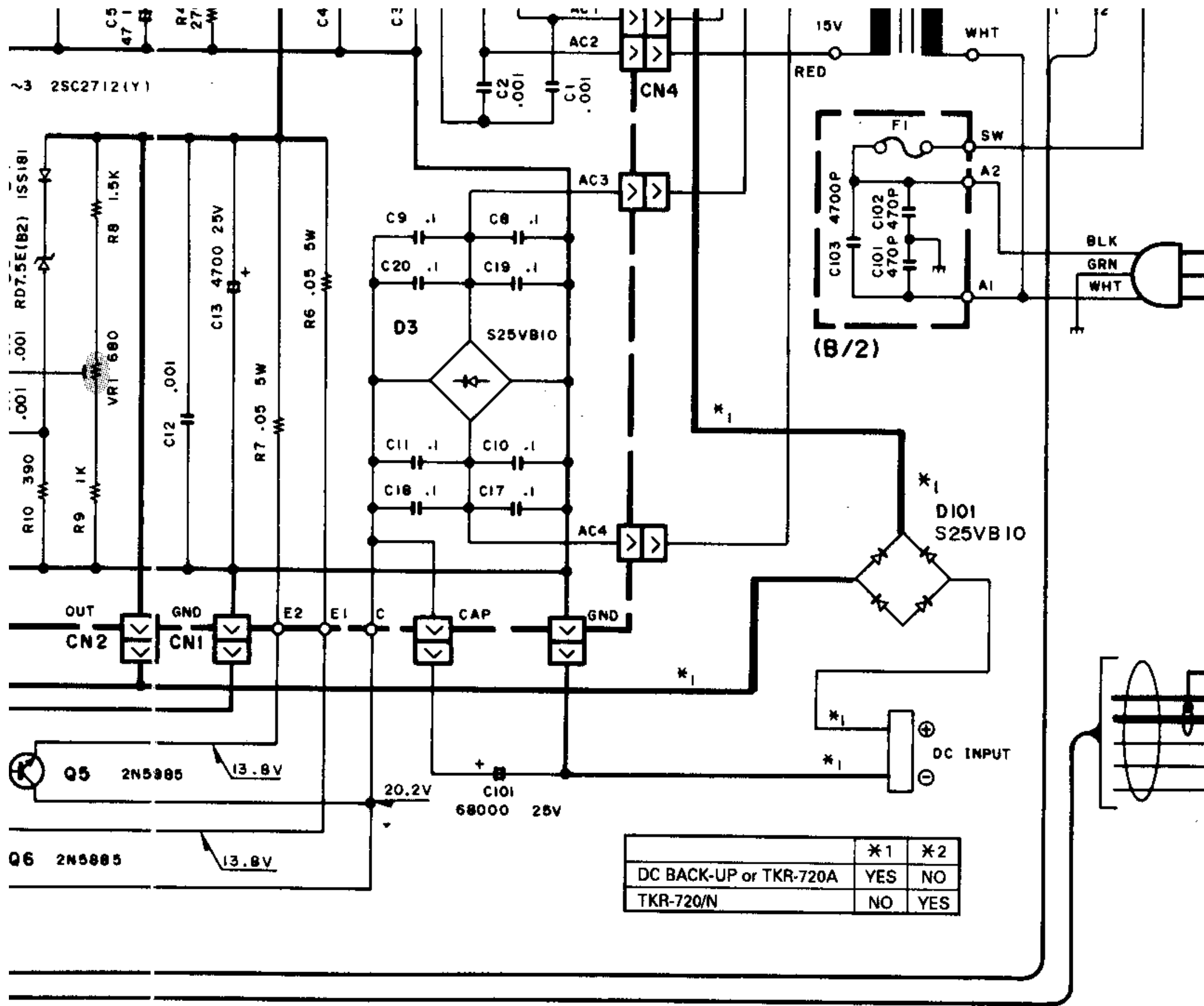
TK/D 700/1/1/A



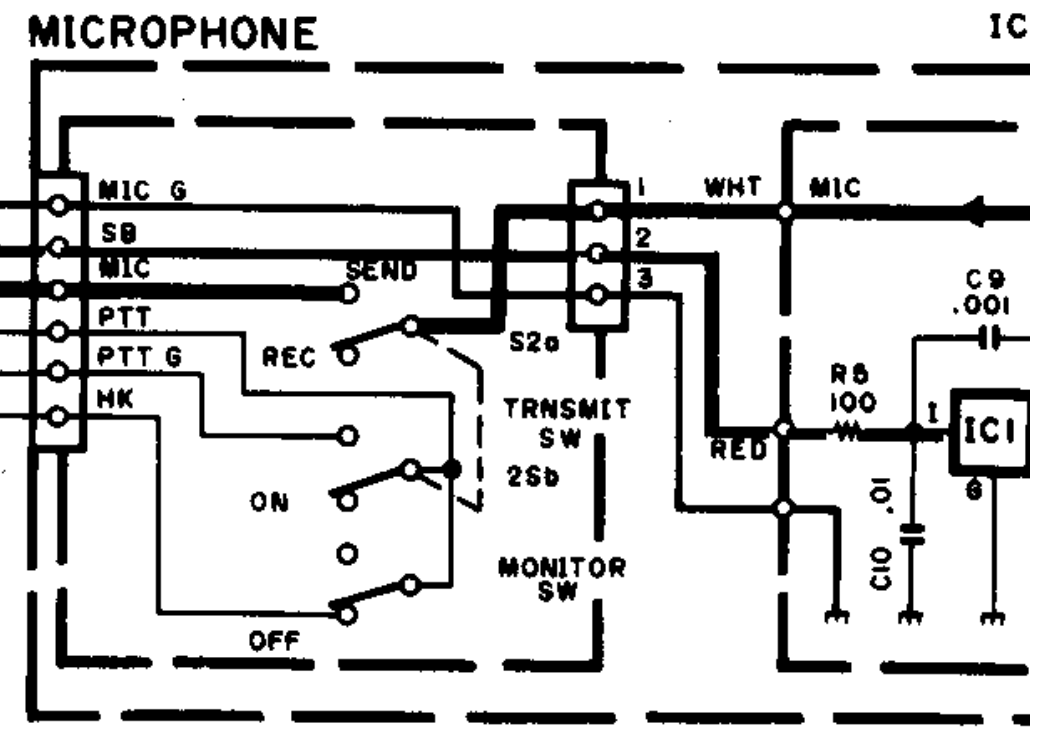
DISPLAY UNIT (X54-3070-XX) (B/4)





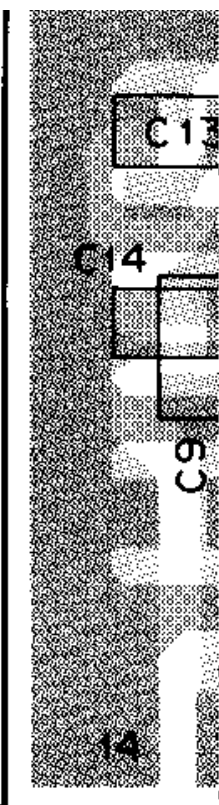
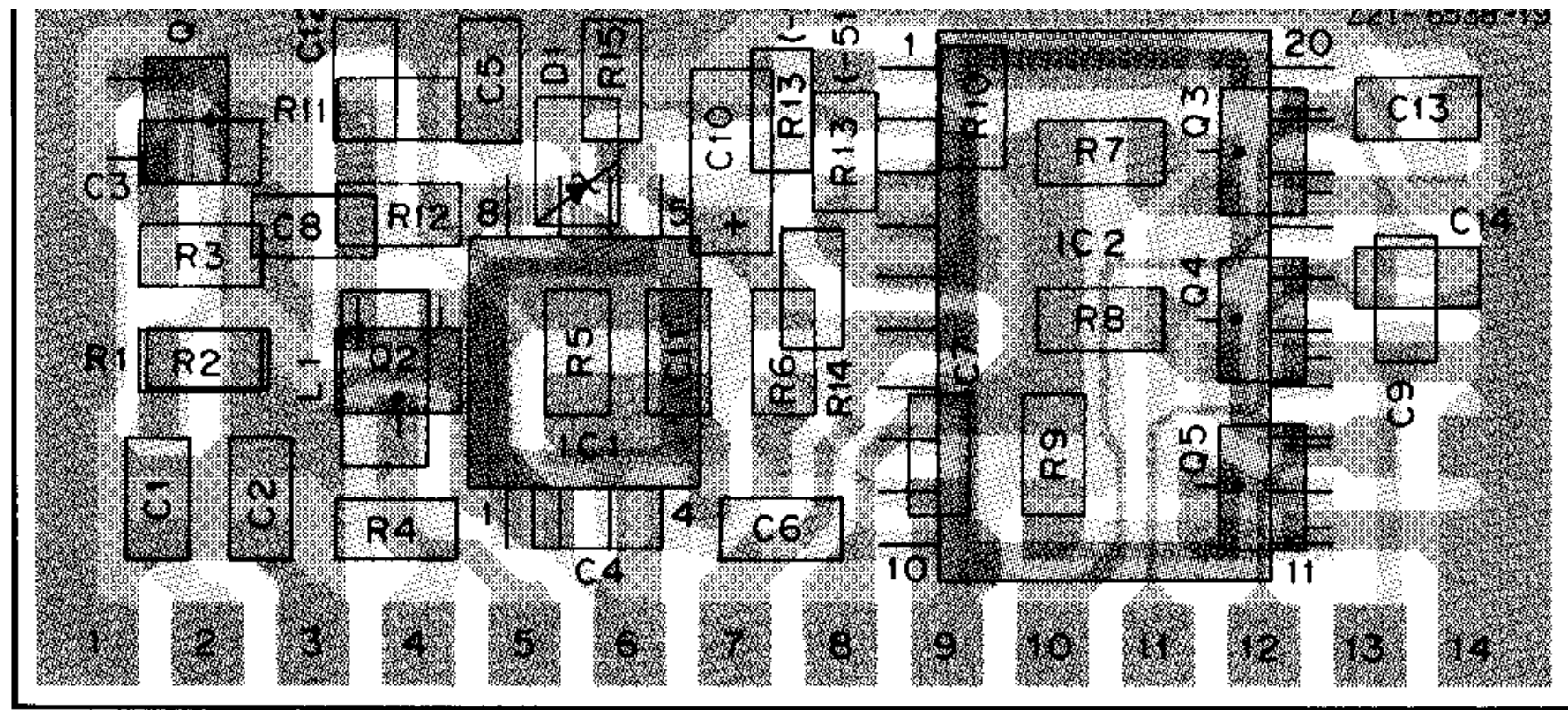


- (X54-3070-XX)
- IC1 : 75104G-604-1B
 IC2 : XLJ93LC46
 IC3 : M51943BML
 IC4 : AN78N05
 IC5,6 : μPC4558C
- Q1,2,7,8 : DTC114EK
 Q3 : 2SA1162(Y)
 Q6 : 2SC3326(A)
- D1,3 : B30-0855-05
 D2,17 : B30-0856-05
 D4-6 : 1SS184
 D7,8,10,11,13 : 1SS181
 D16,18 : B30-0857-05
 D19,21 : 1SS272
 D22,23 : B38-0308-05
 D24 : 1SS133
- Q5,6 : 2N5885
 D1 : 1B2C1
 D3 : S25VB1
 D4,6 : 1SS181
 D5 : RD7.5E
- (X45-3310-XX)
- Q101 : 2SC295
 Q102 : 2SC253
 Q103 : 2SB951
- (X45-3320-XX)
- Q2 : 2SC269
 Q3,4 : 2SC332
- D1 : SG-5L(I)
 D2,3 : 1SS101
 D4,5 : 1SS181



	*1	*2
DC BACK-UP or TKR-720A	YES	NO
TKR-720/N	NO	YES

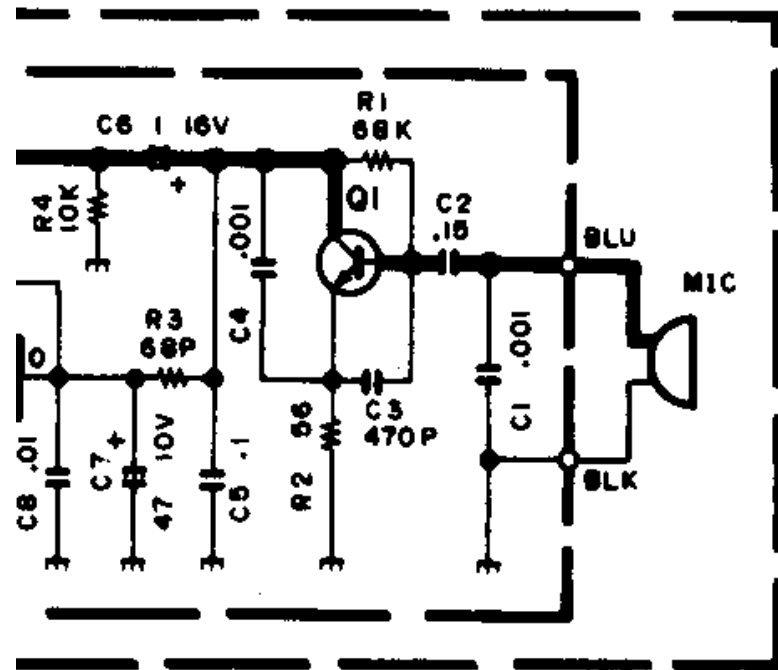
5 IC3 : NJM4558D
 IC4 : L78N08
 10 Q1,2,7 : 2SC2712(Y)
 Q4,5,14,15 : 2SK125
 (B2) Q6 : 2SK302(GR)
 Q8,11~13 : DTC114EK
 Q9,10 : 2SC3326(A)
 54
 38-22-A D1,2 : 1SV172
 (A(Q)) D4 : ND487C1T
 D5~11 : 1SS184
 D12 : 1SS226



14
16(A)

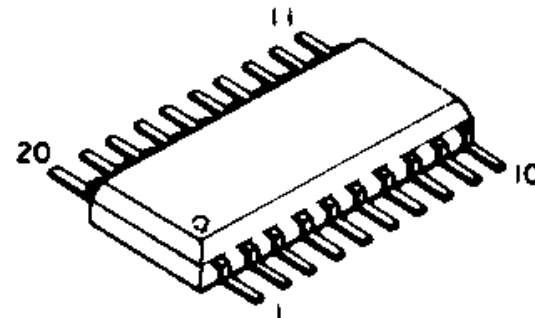
R)

1 : 78L08 Q1 : 2SC2458(Y)

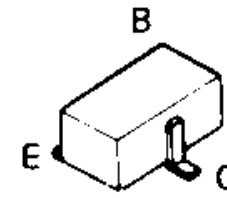


86

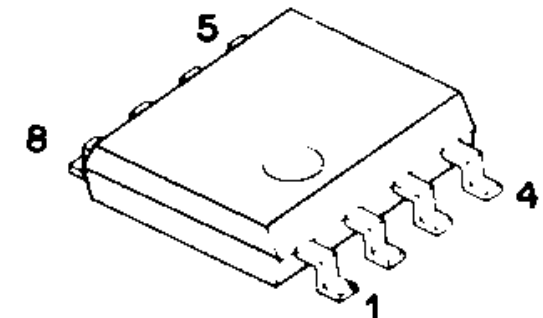
JLC1075F



2SC2714
DTC114EK

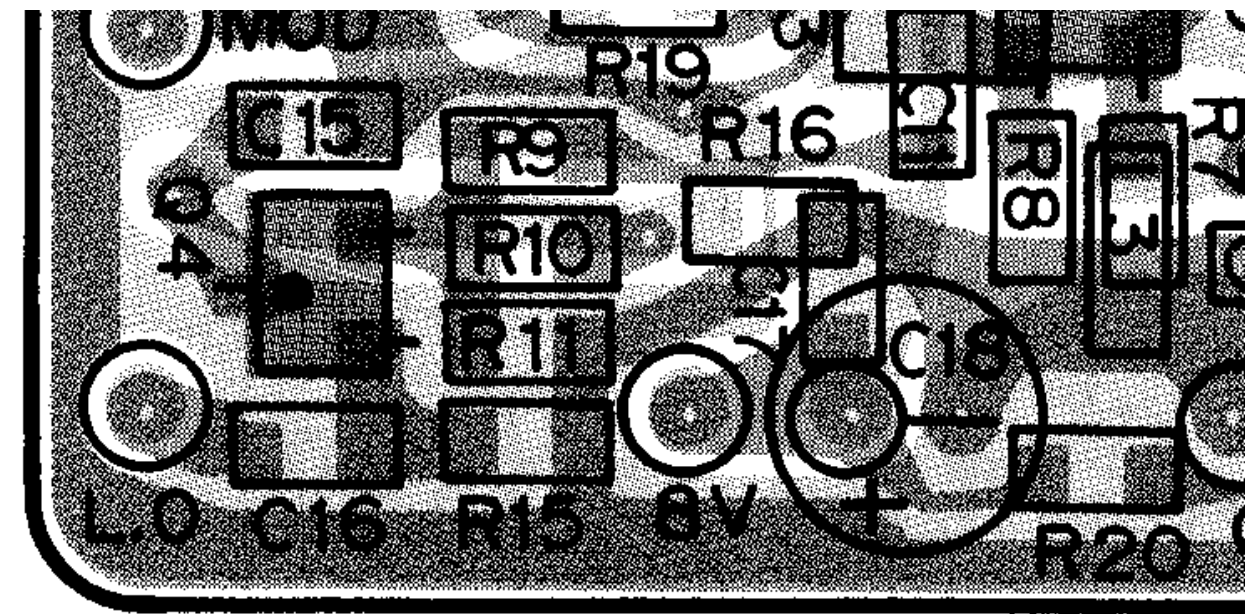
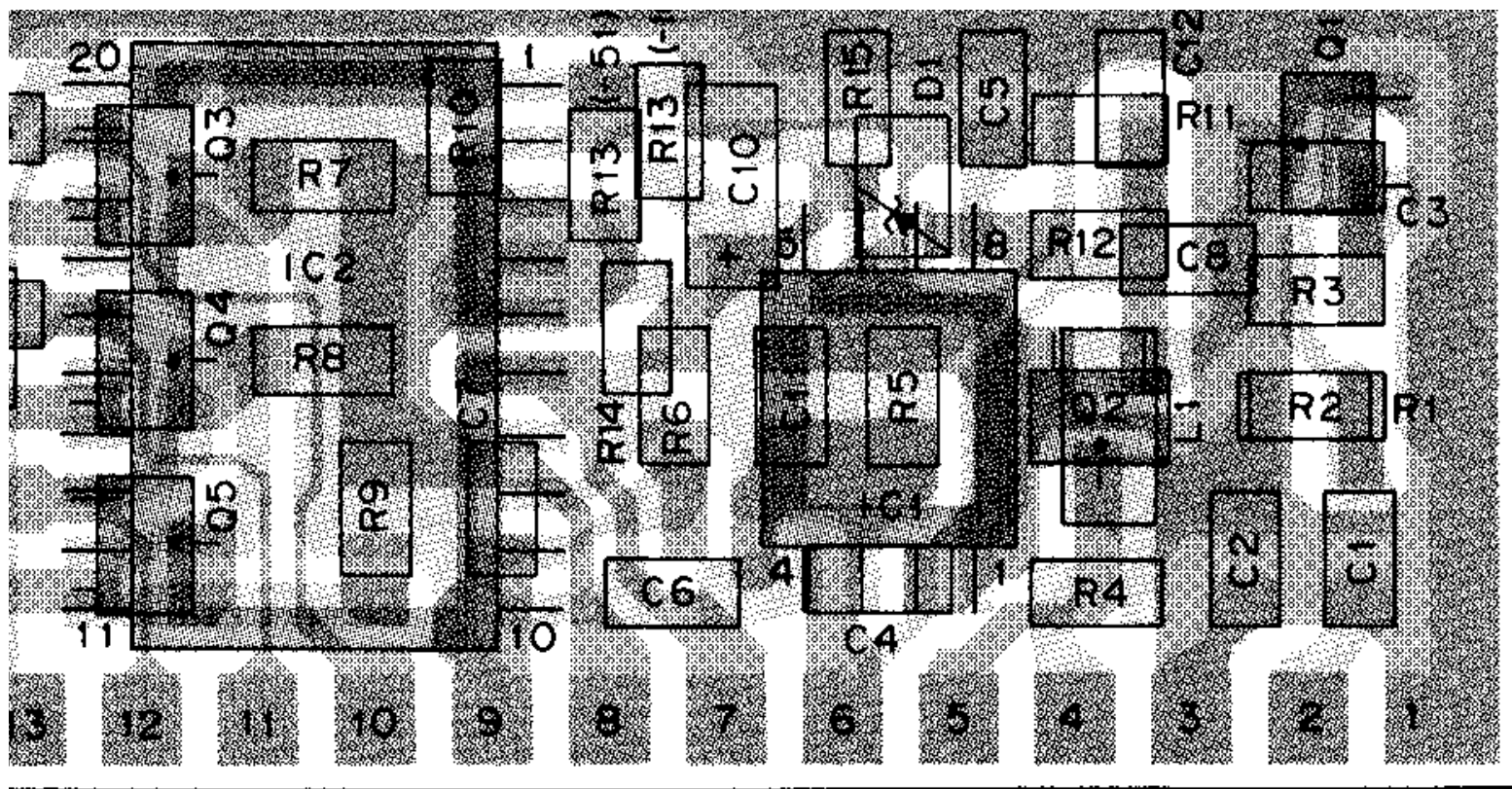


MB504F

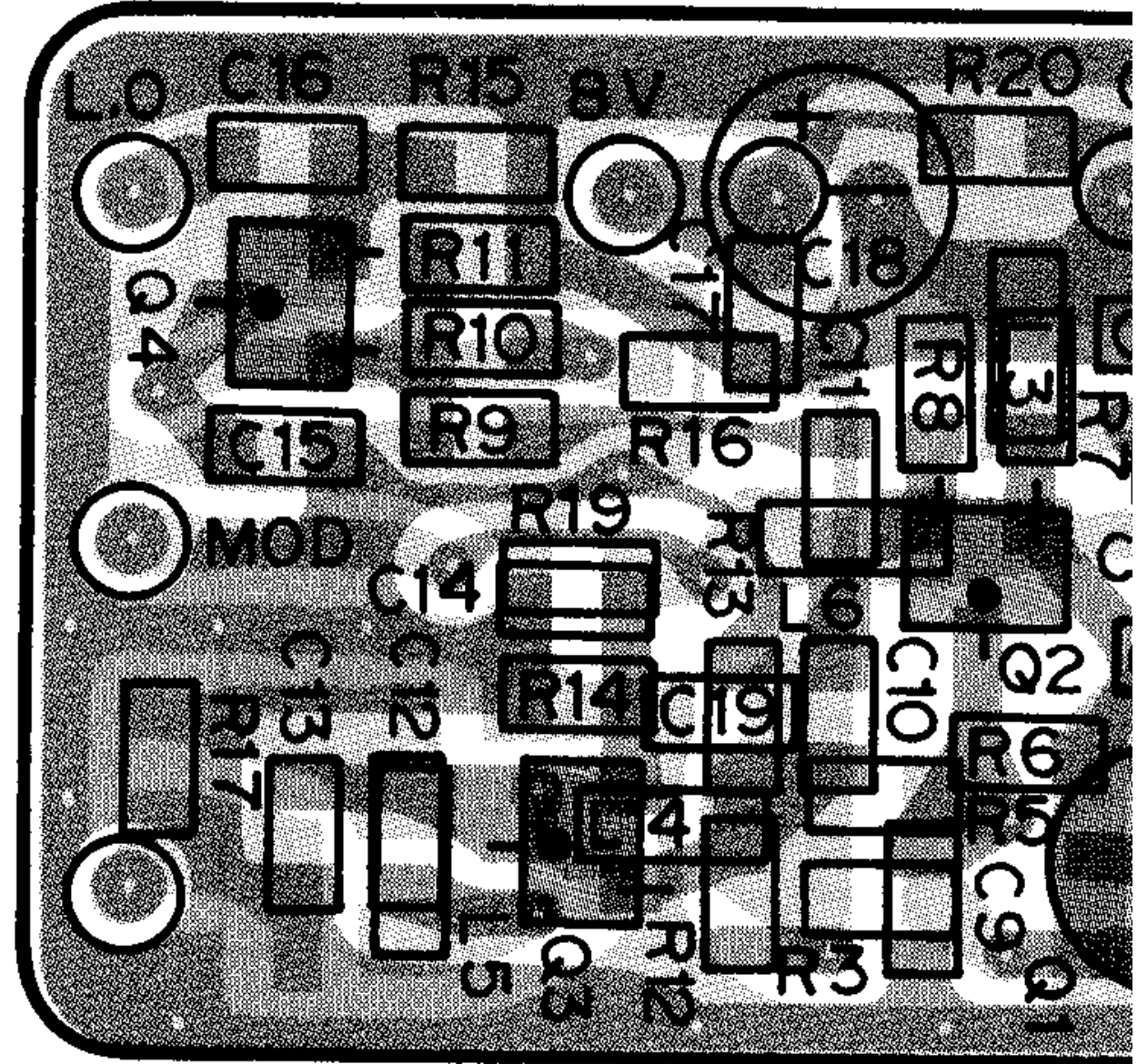


TKR-720/N/A

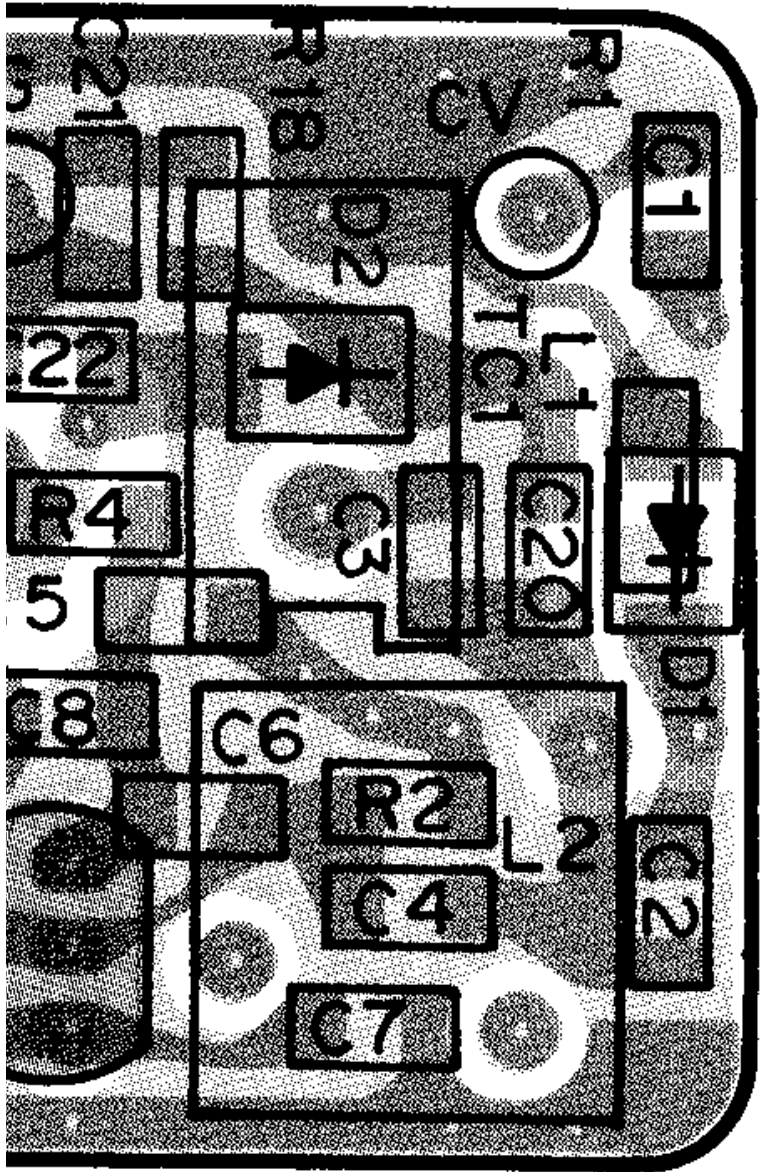
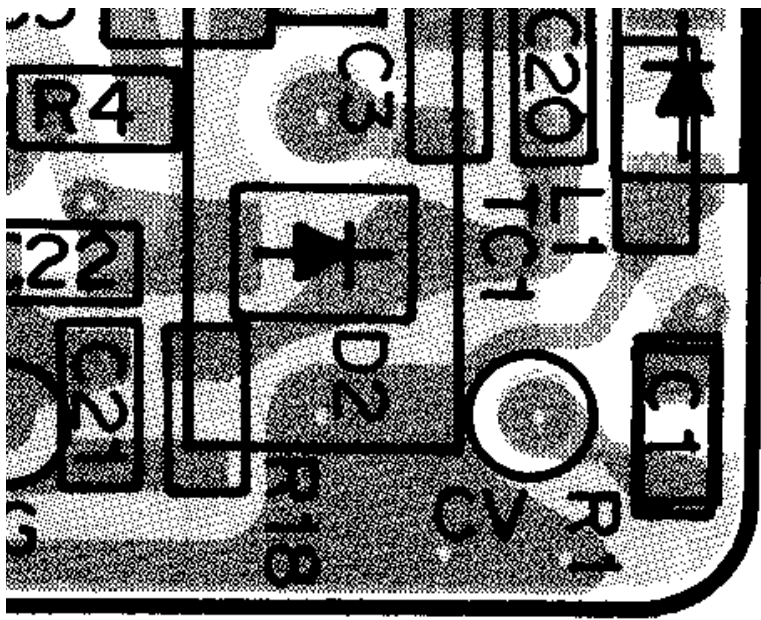
PC BOARD V





Foil side view



VIEWS/CIRCUIT DIAGRAM

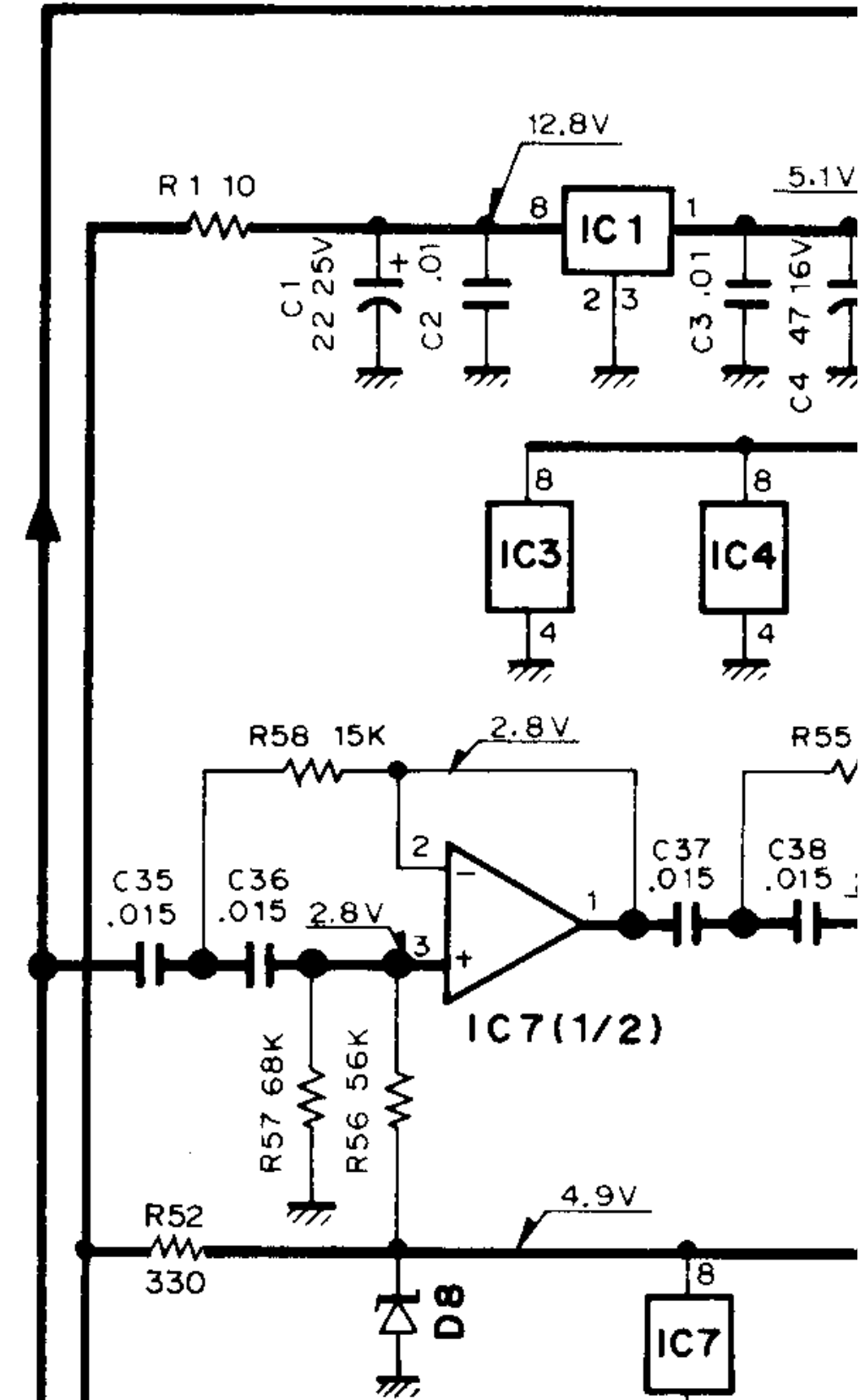


 : Component side
 : Foil side

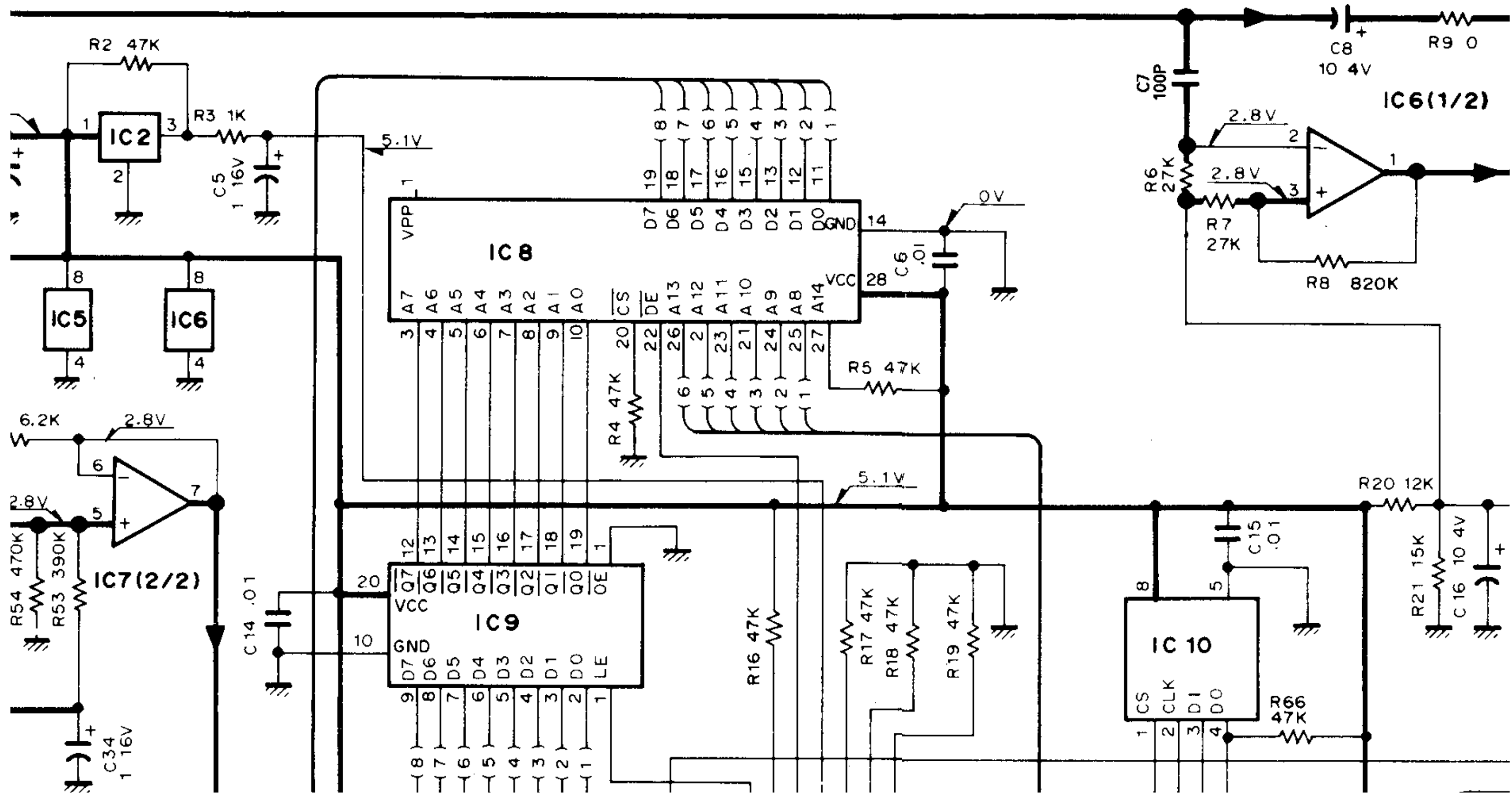
IR-20/IV/A

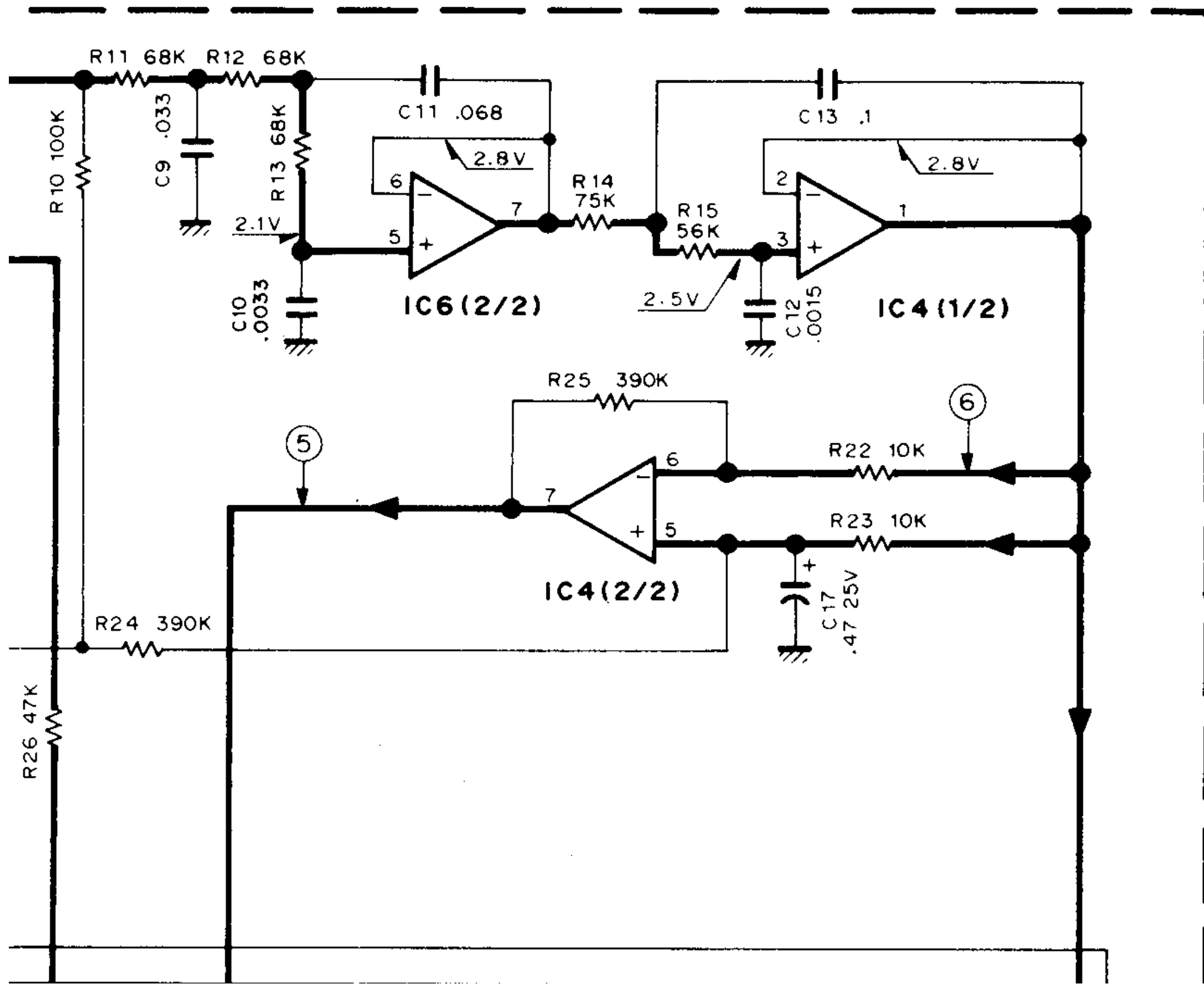
CIRCU

SIGNALING UNIT (X52-3140-10)



IT DIAGRAM

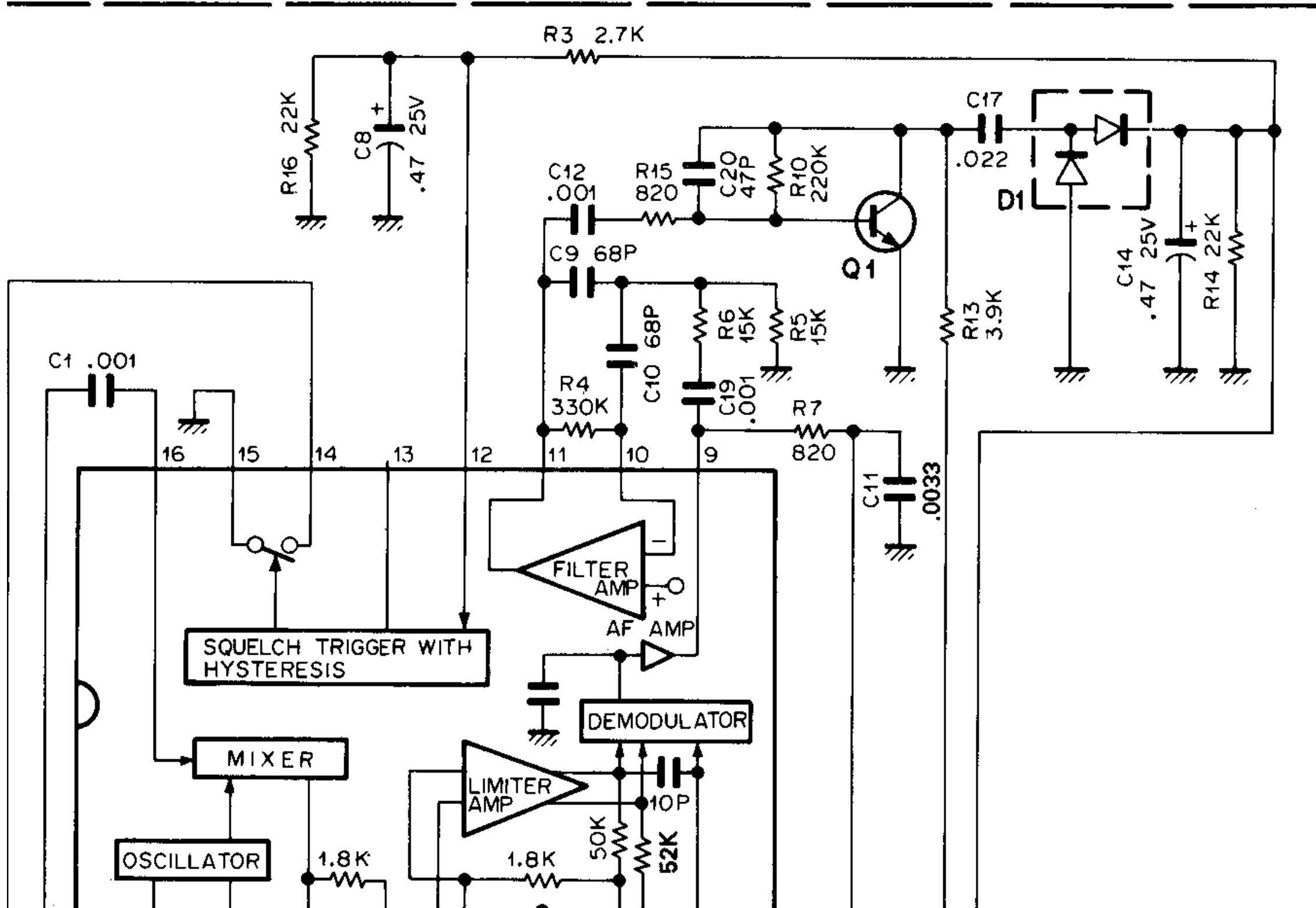




IF : Z8
IF UNIT

(X59-3220-10)

(X59-3220-10)

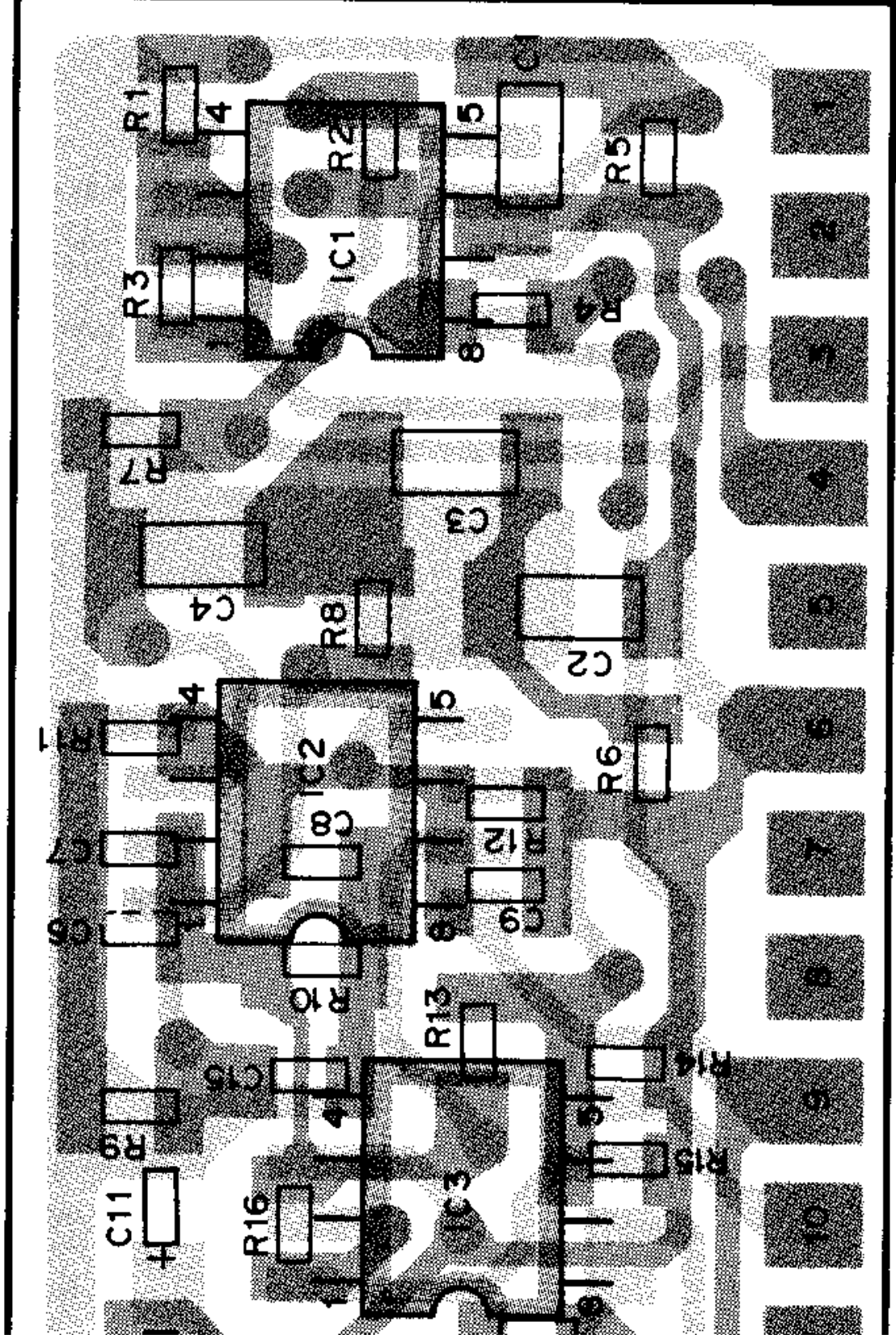
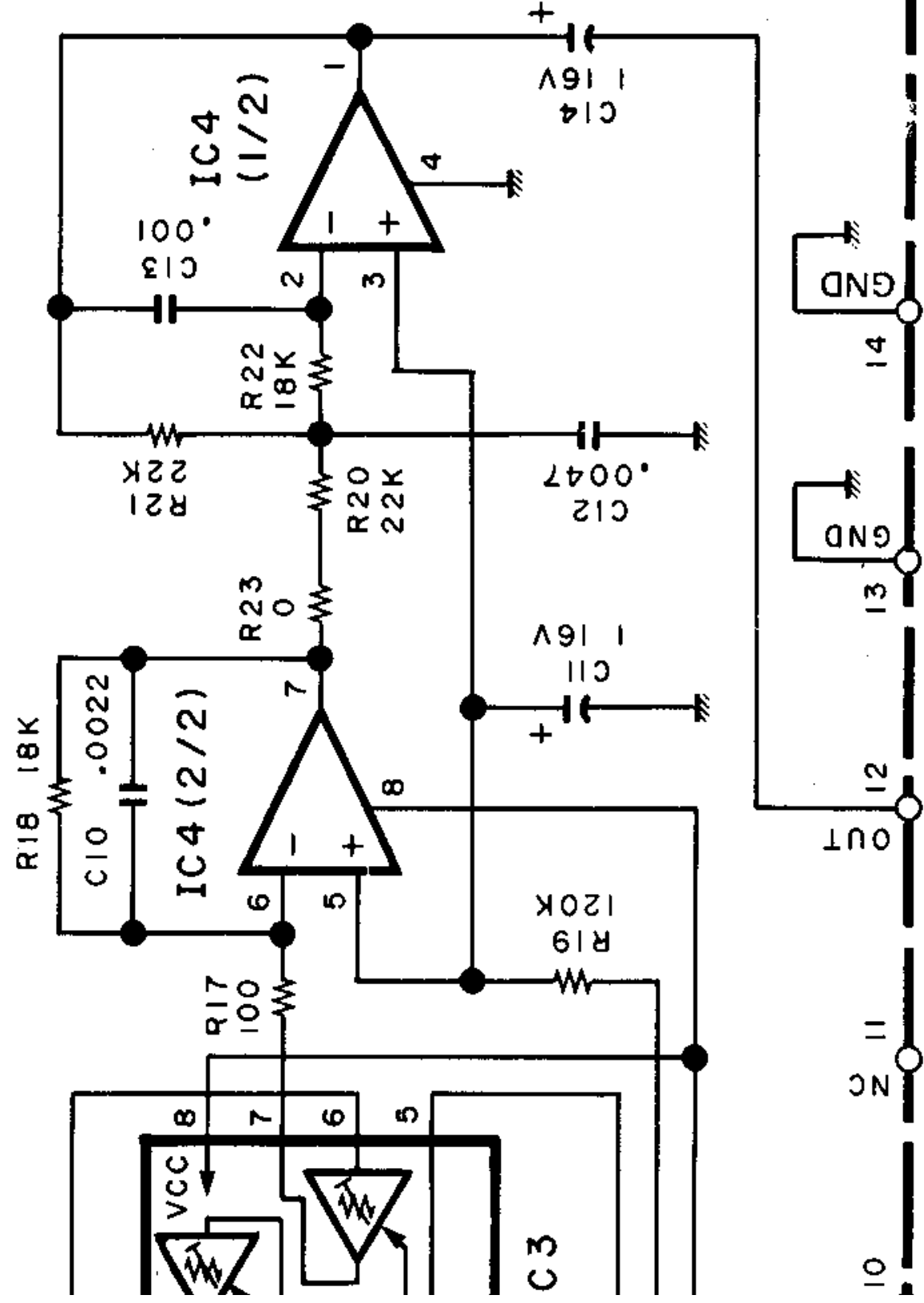


BOARD VIEWS/CIRCUIT DIAGRAM

1 1 1 1 2 0 1 1 1

IC1,2,4 : NJM4558M

IC3 : M5222FP





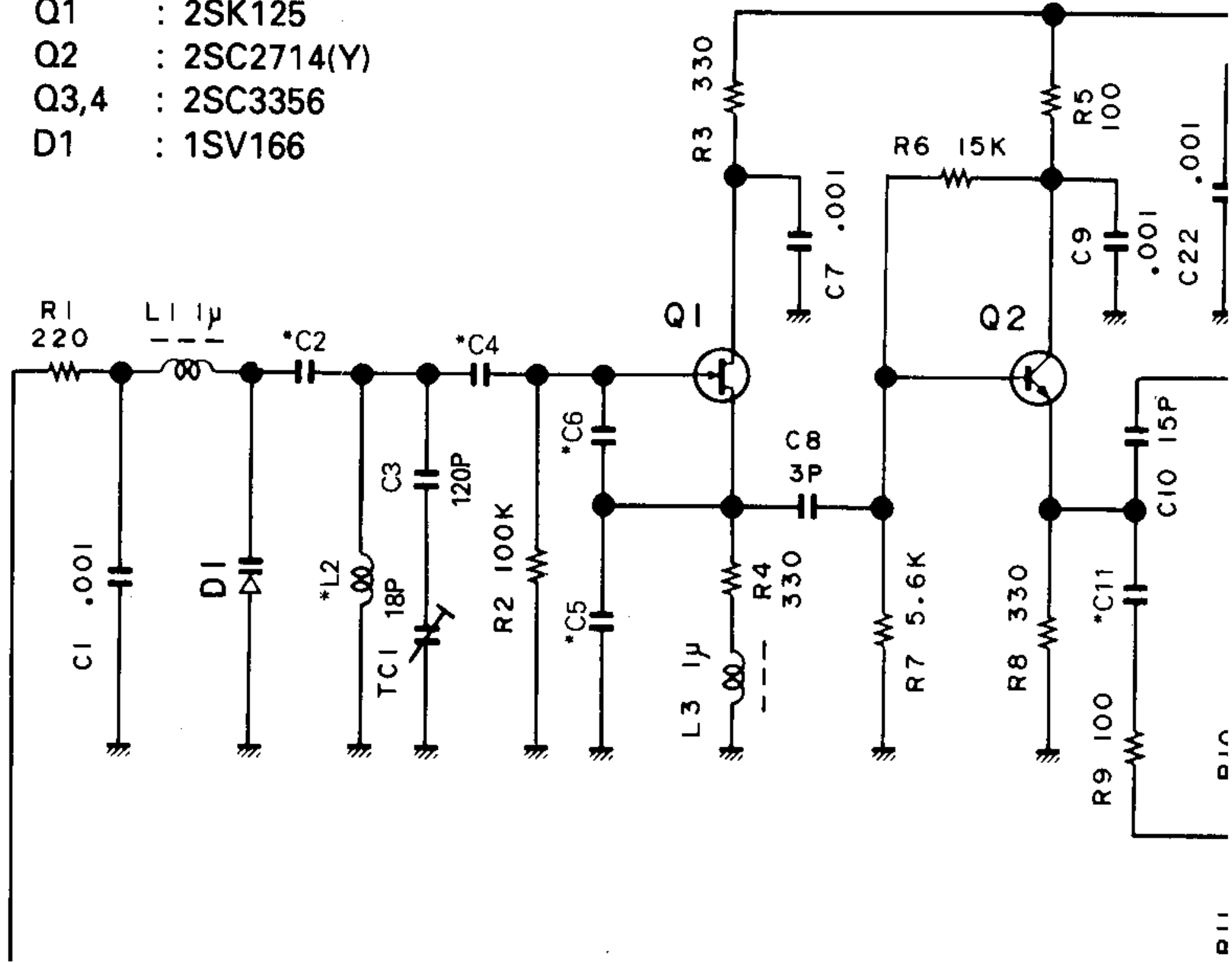
▨ : Component side

▨ : Foil side

RX VCO : Z2 (X58-3290-XX) -10 : K,M,NM,AM -11

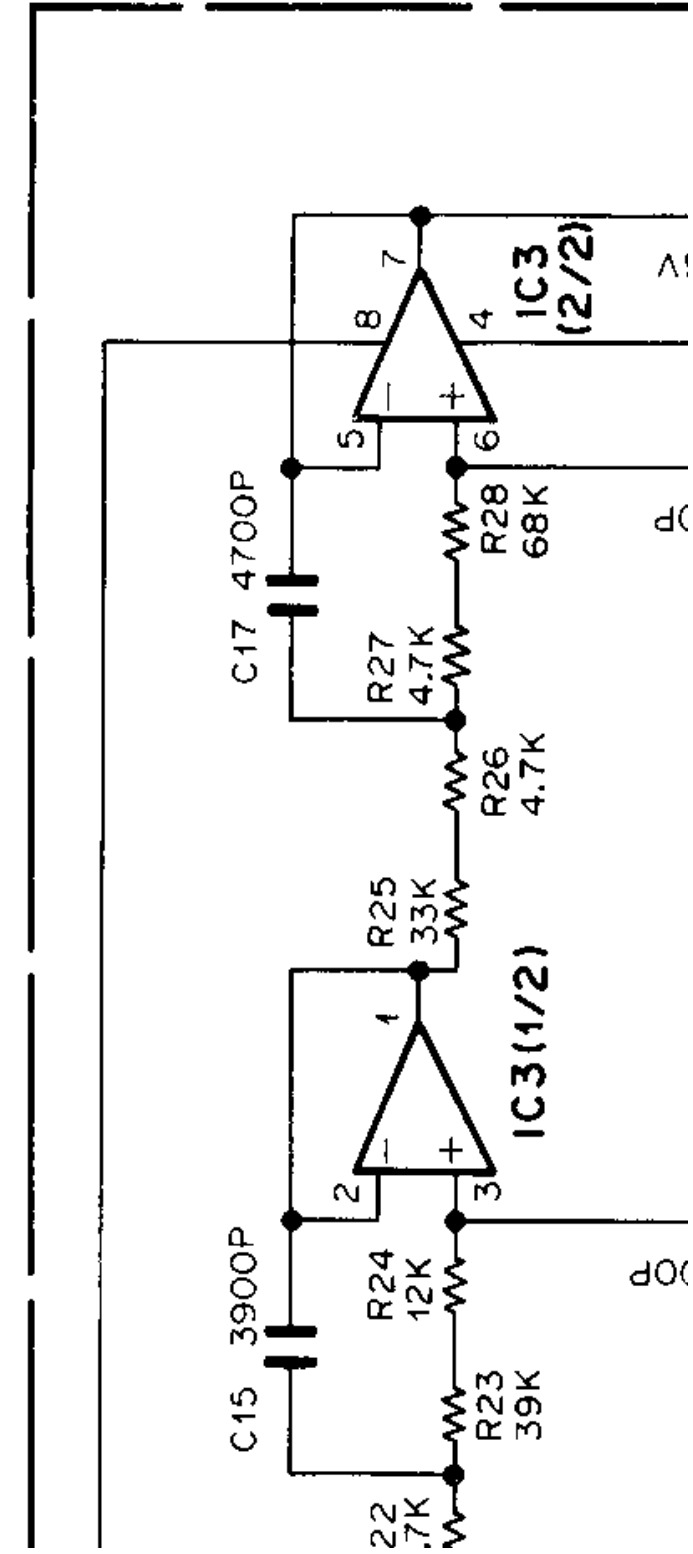
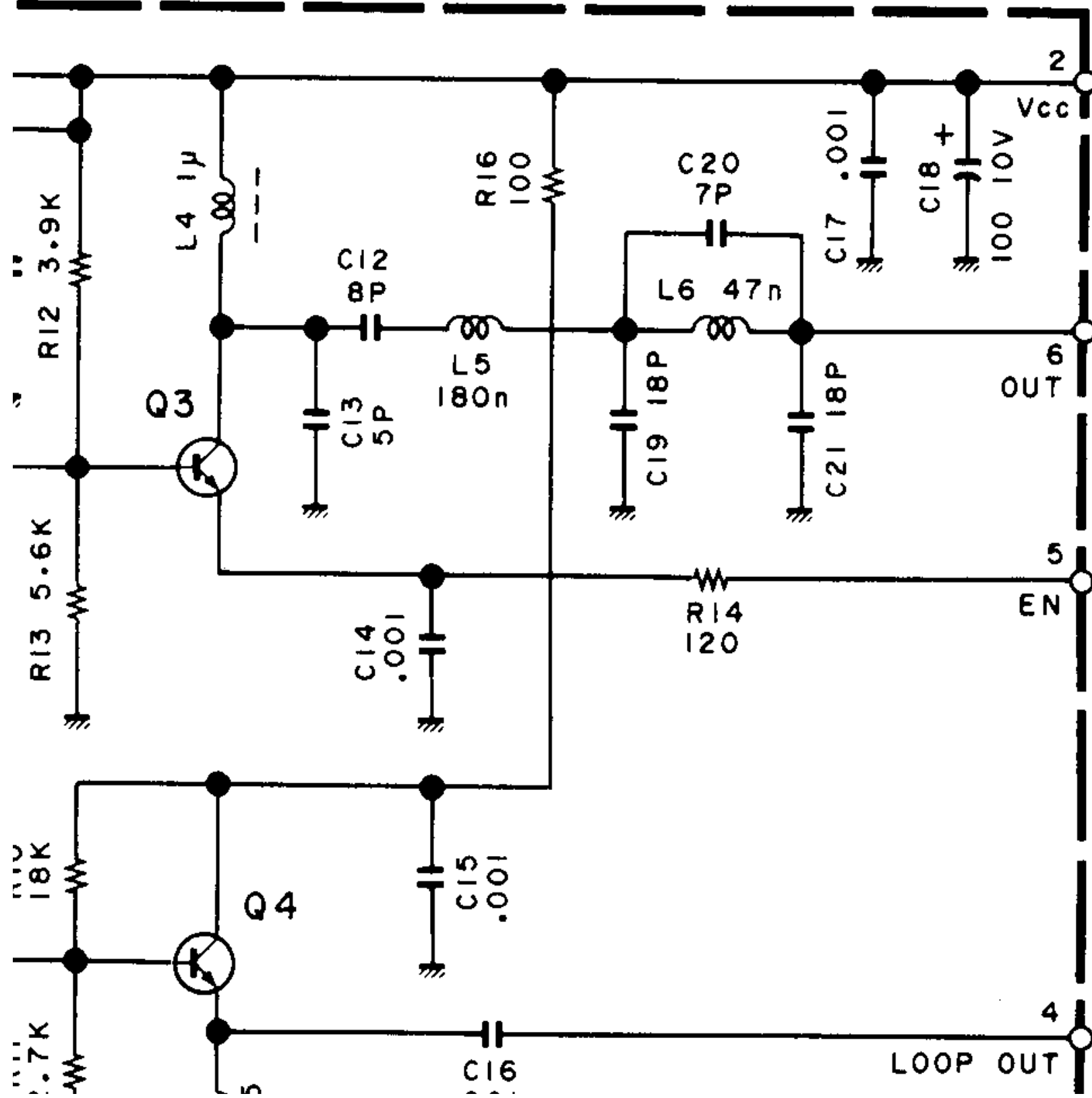
RX VCO (X58-3290-XX)

- Q1 : 2SK125
- Q2 : 2SC2714(Y)
- Q3,4 : 2SC3356
- D1 : 1SV166

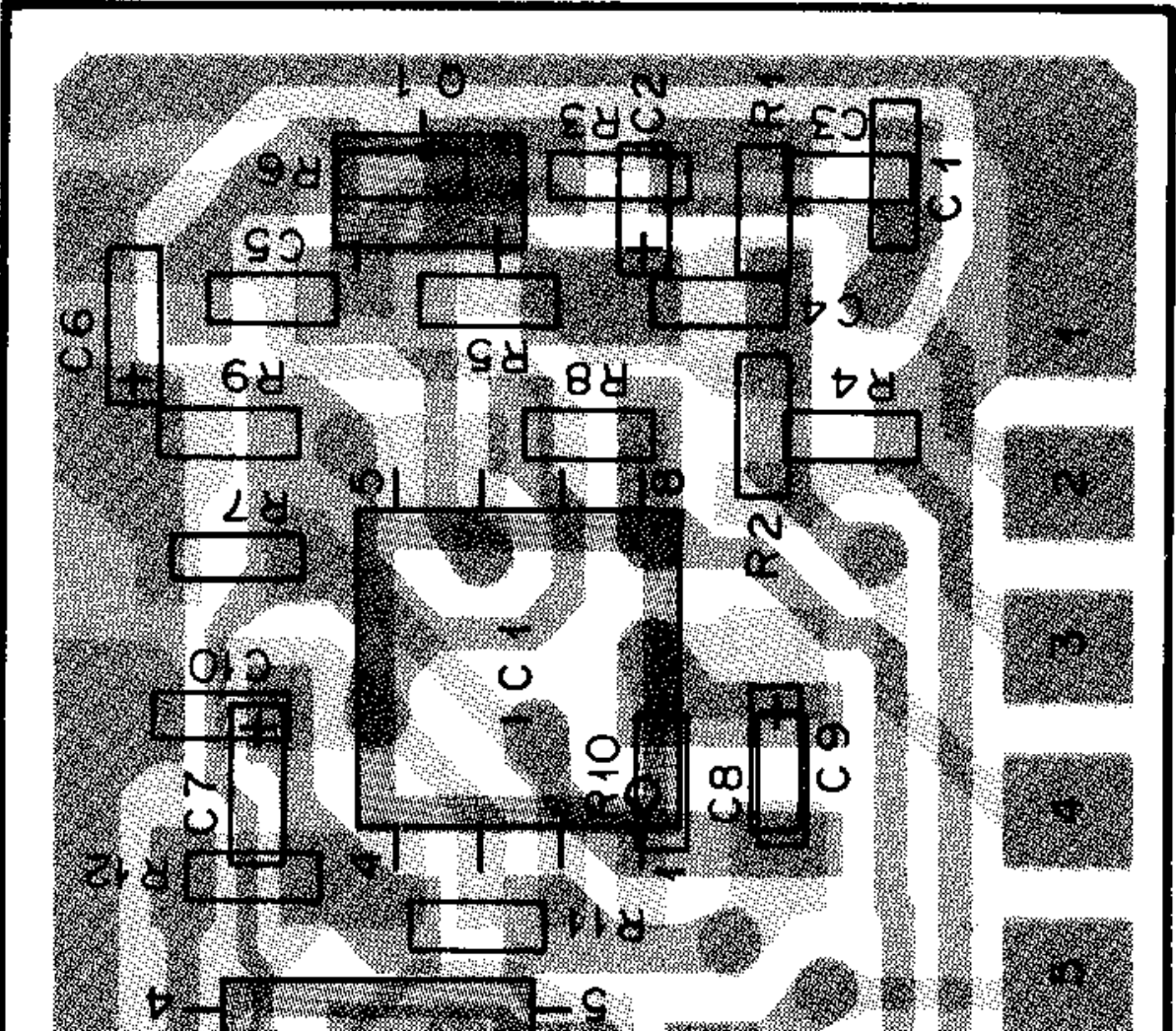
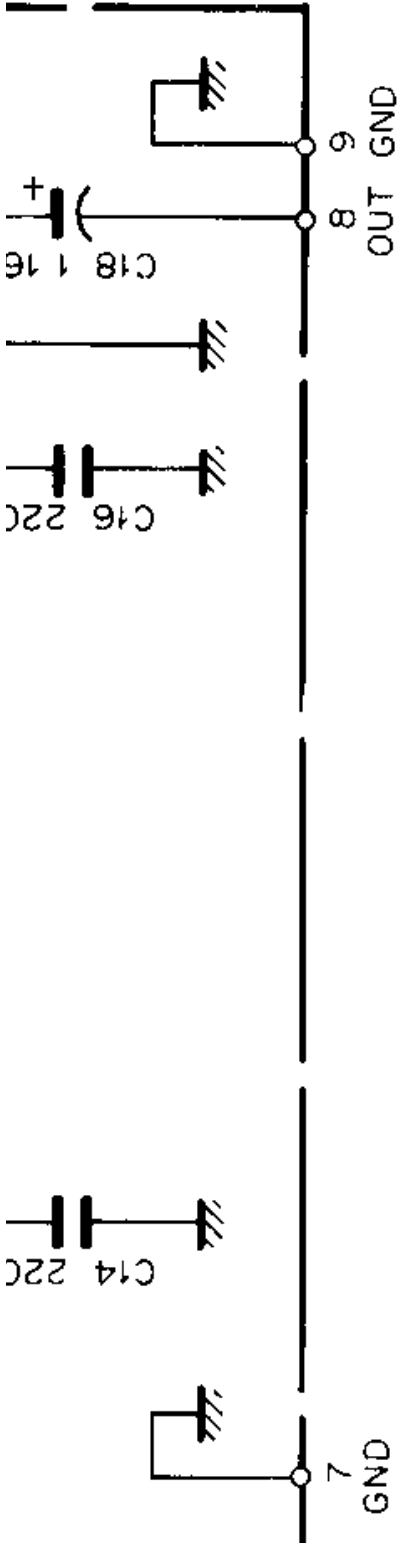


TKR-720/N/A

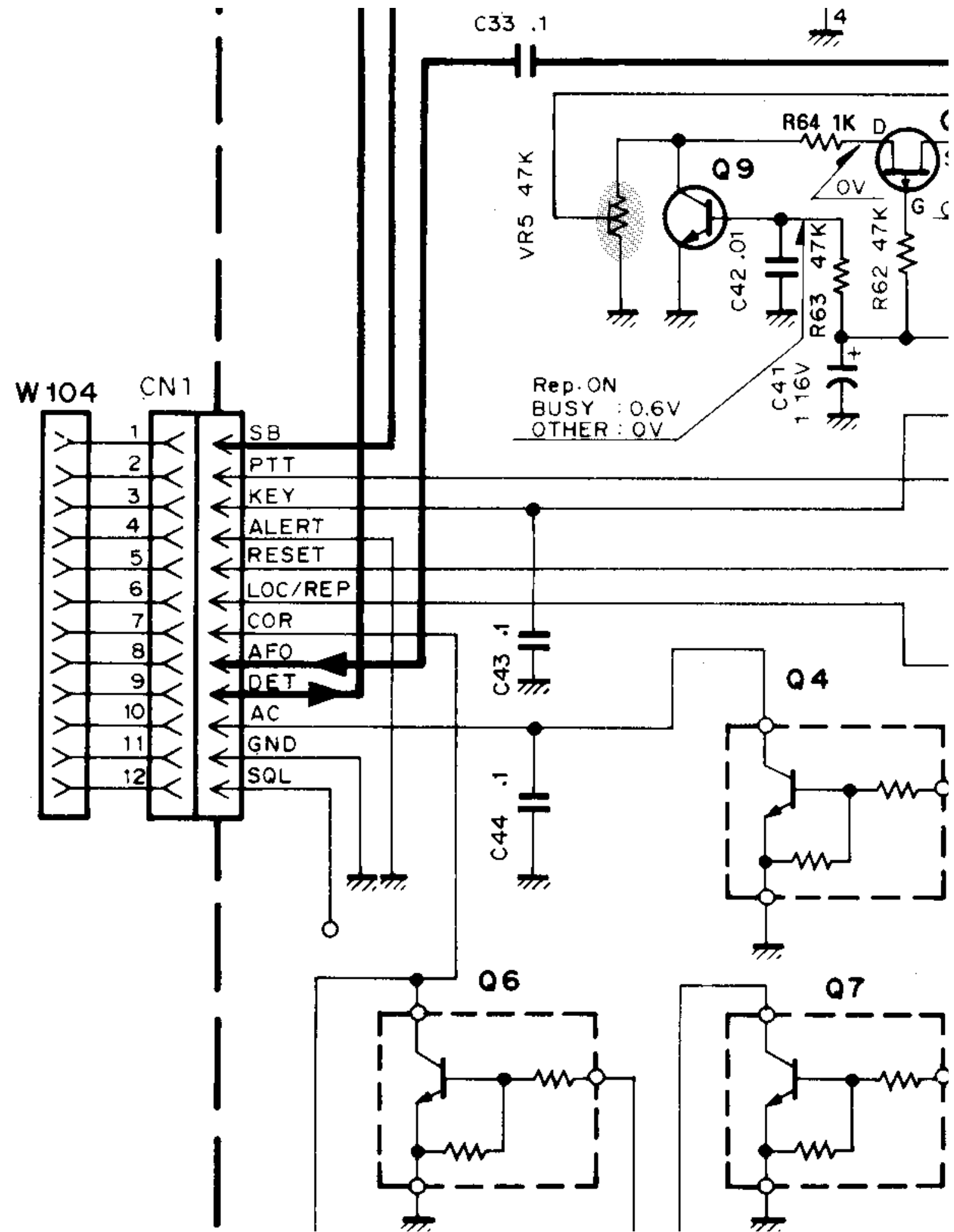
: K2,M2,NM2,AM2

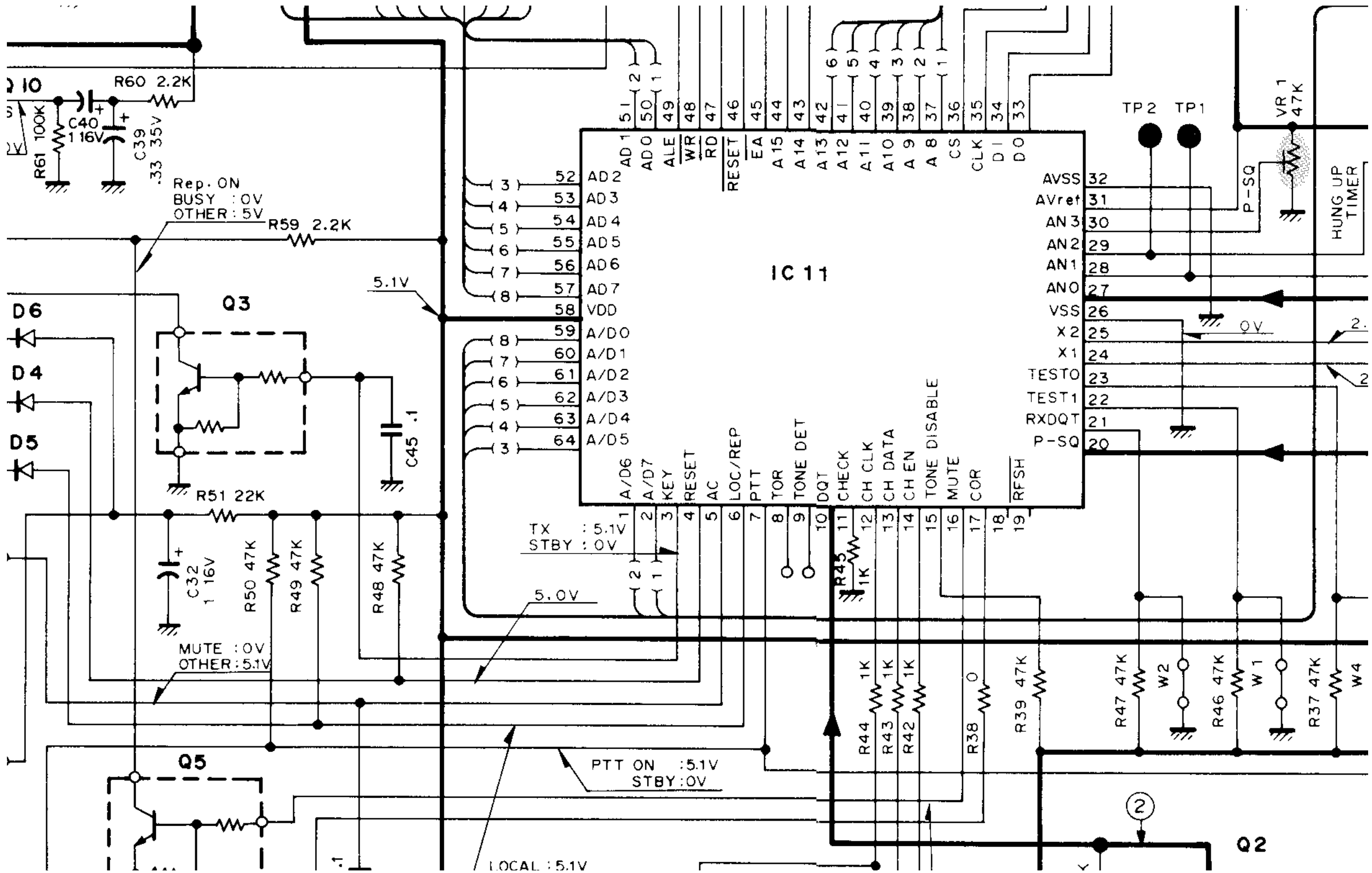


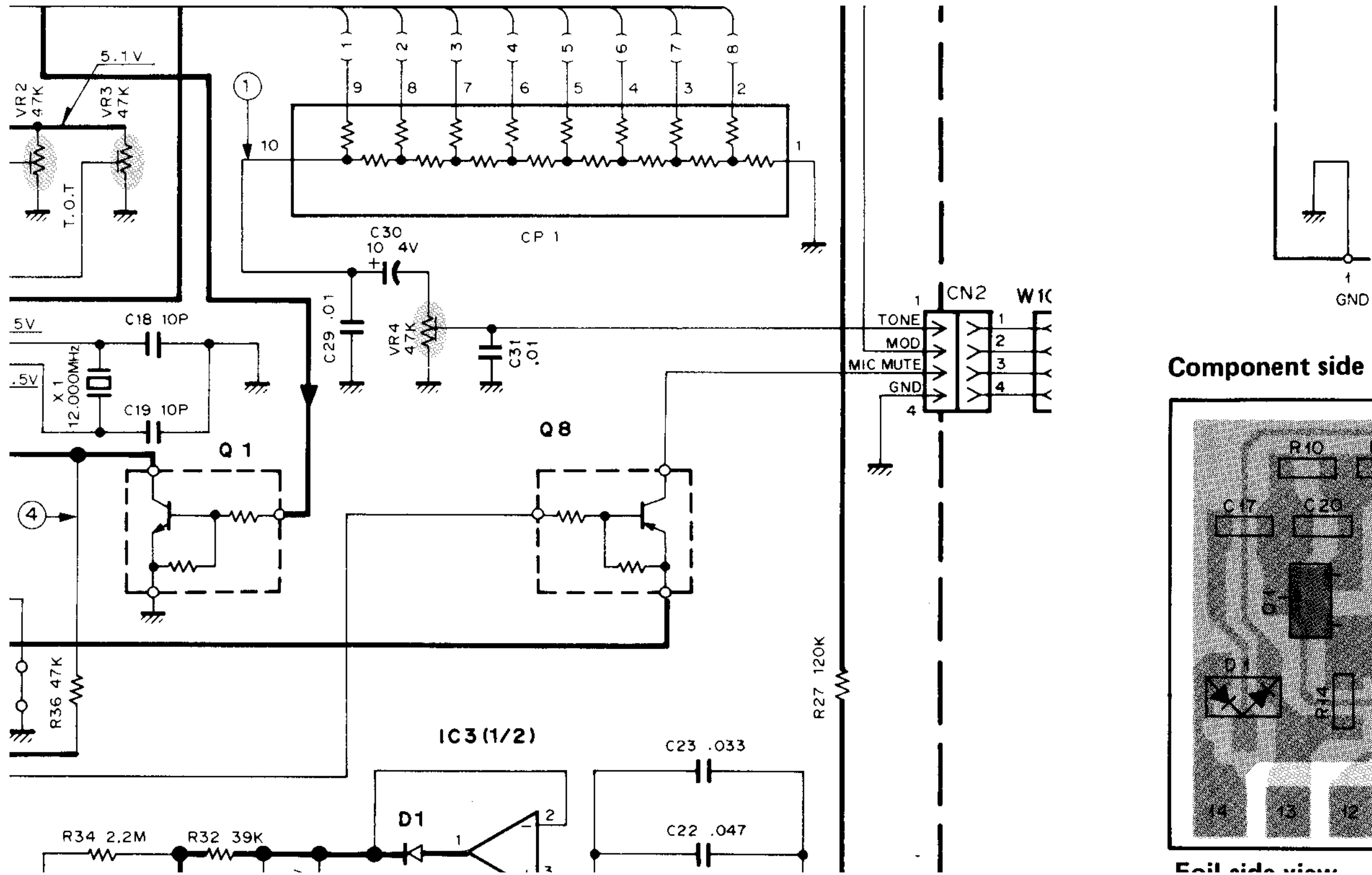
PC BOARD VIEWS/CIRCUIT DIAGRAM



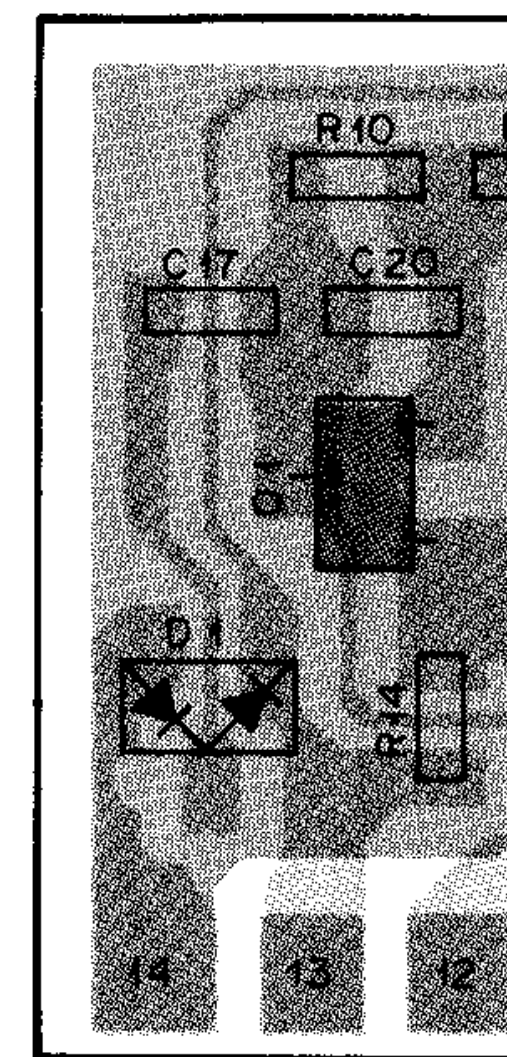
▨ : Component side
▨ : Foil side



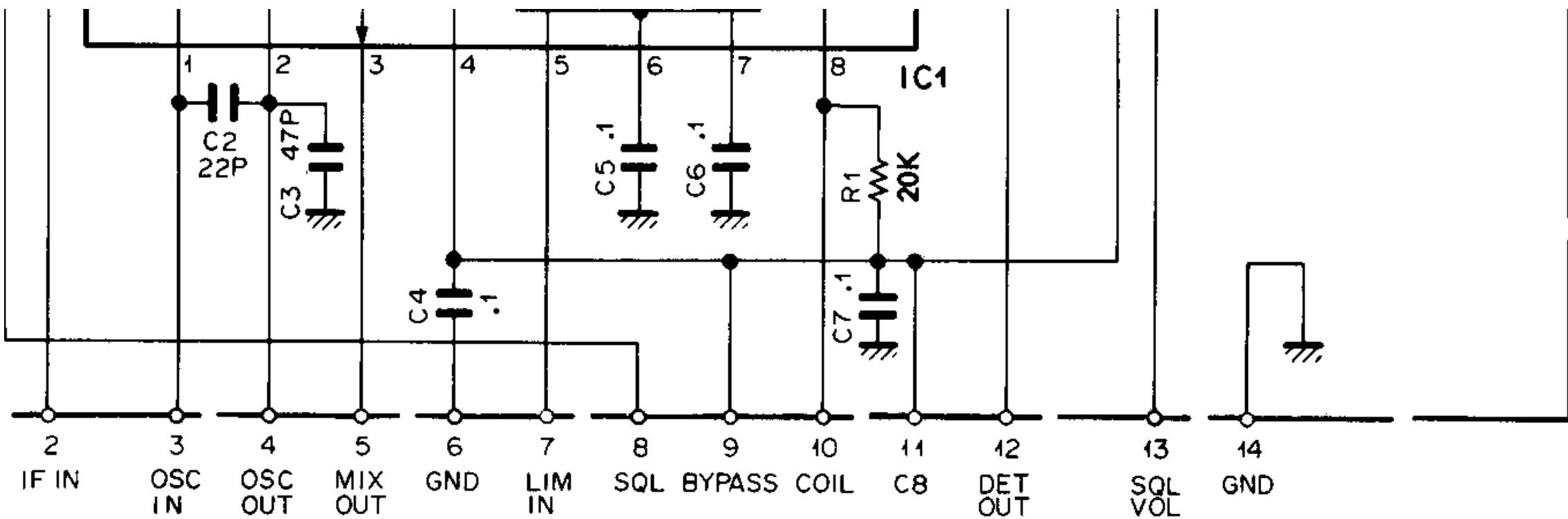




Component side

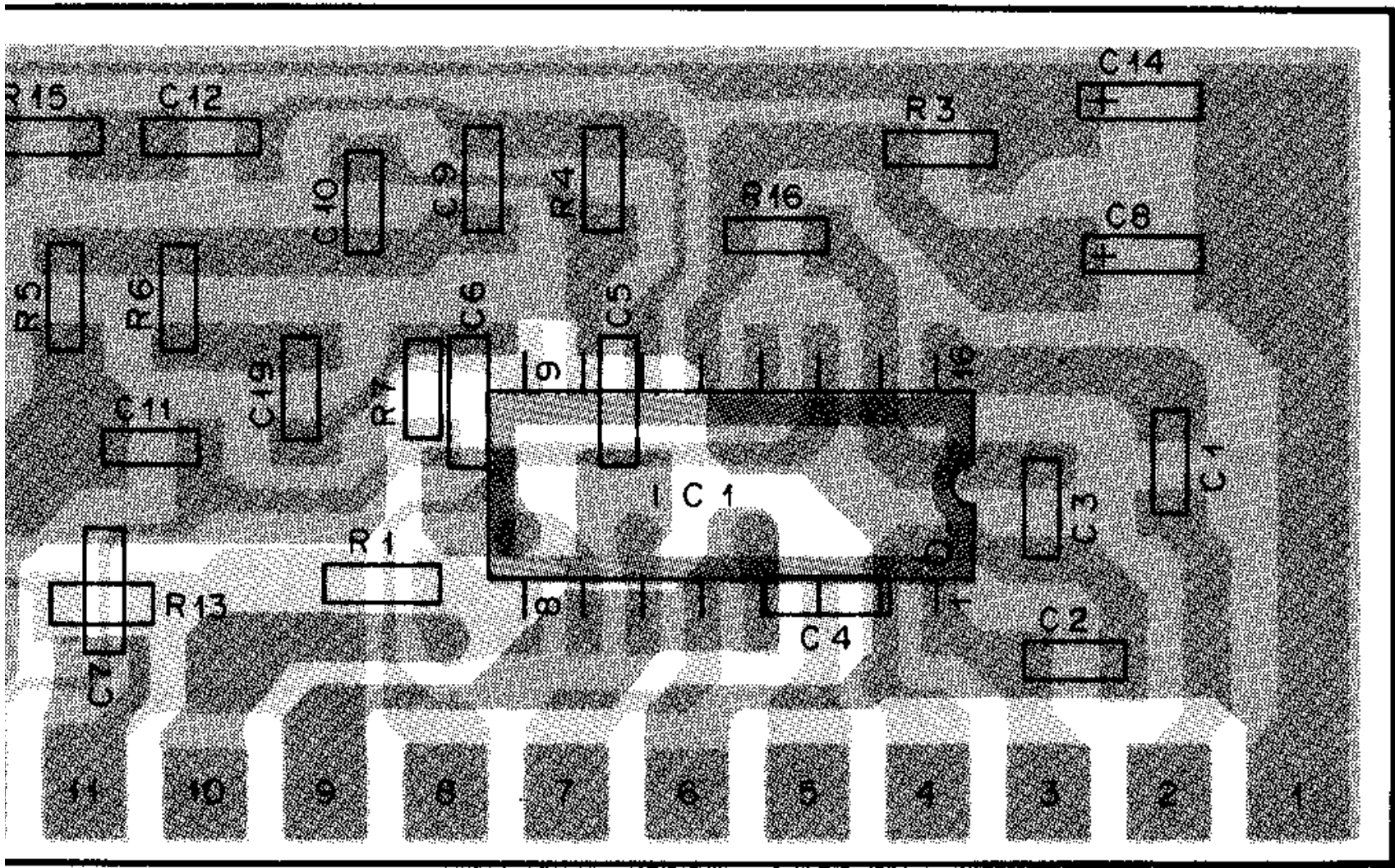


Foil side view

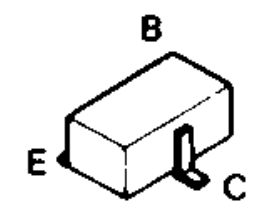


IC1 : MC3361BD
 Q1 : 2SC2712 (Y)
 D1 : DA204K

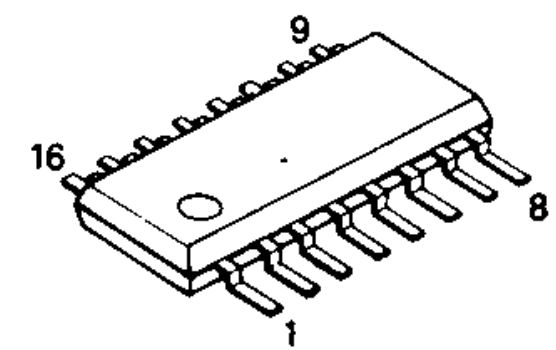
view

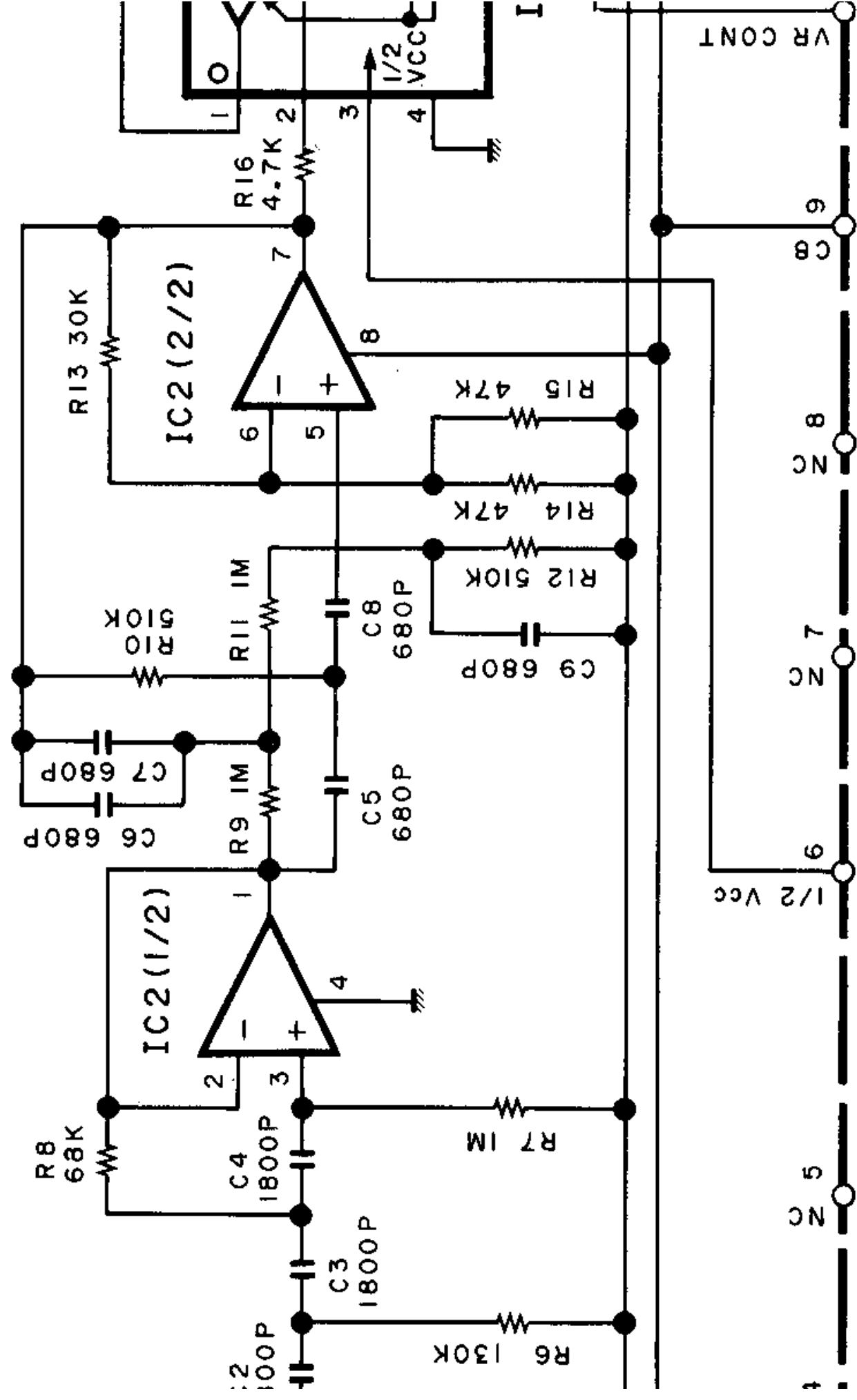


2SC2712
 2SC3326

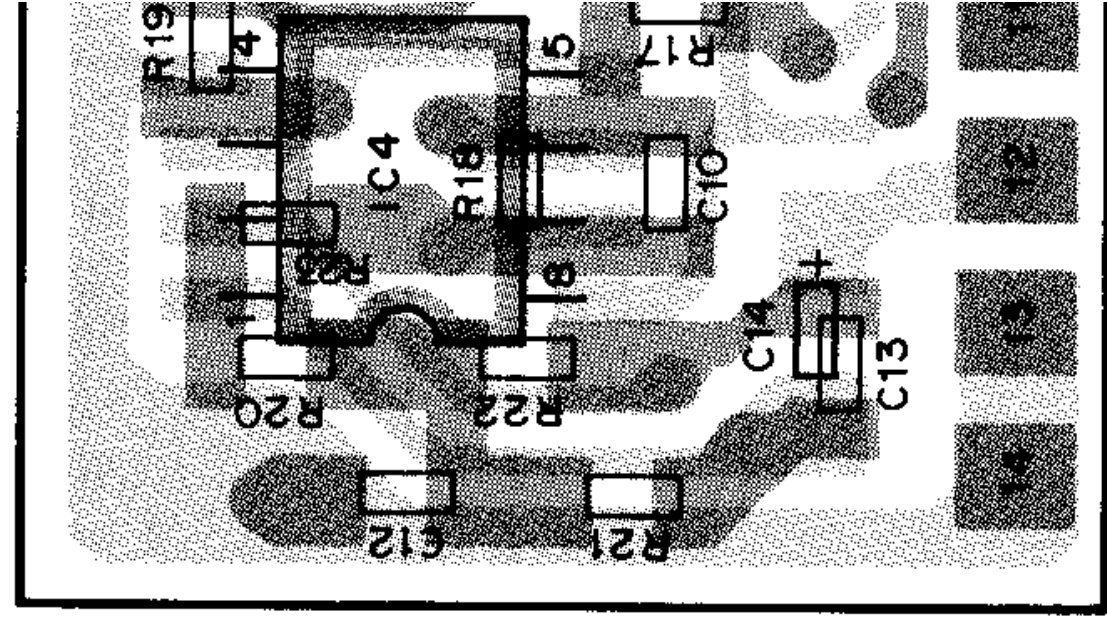
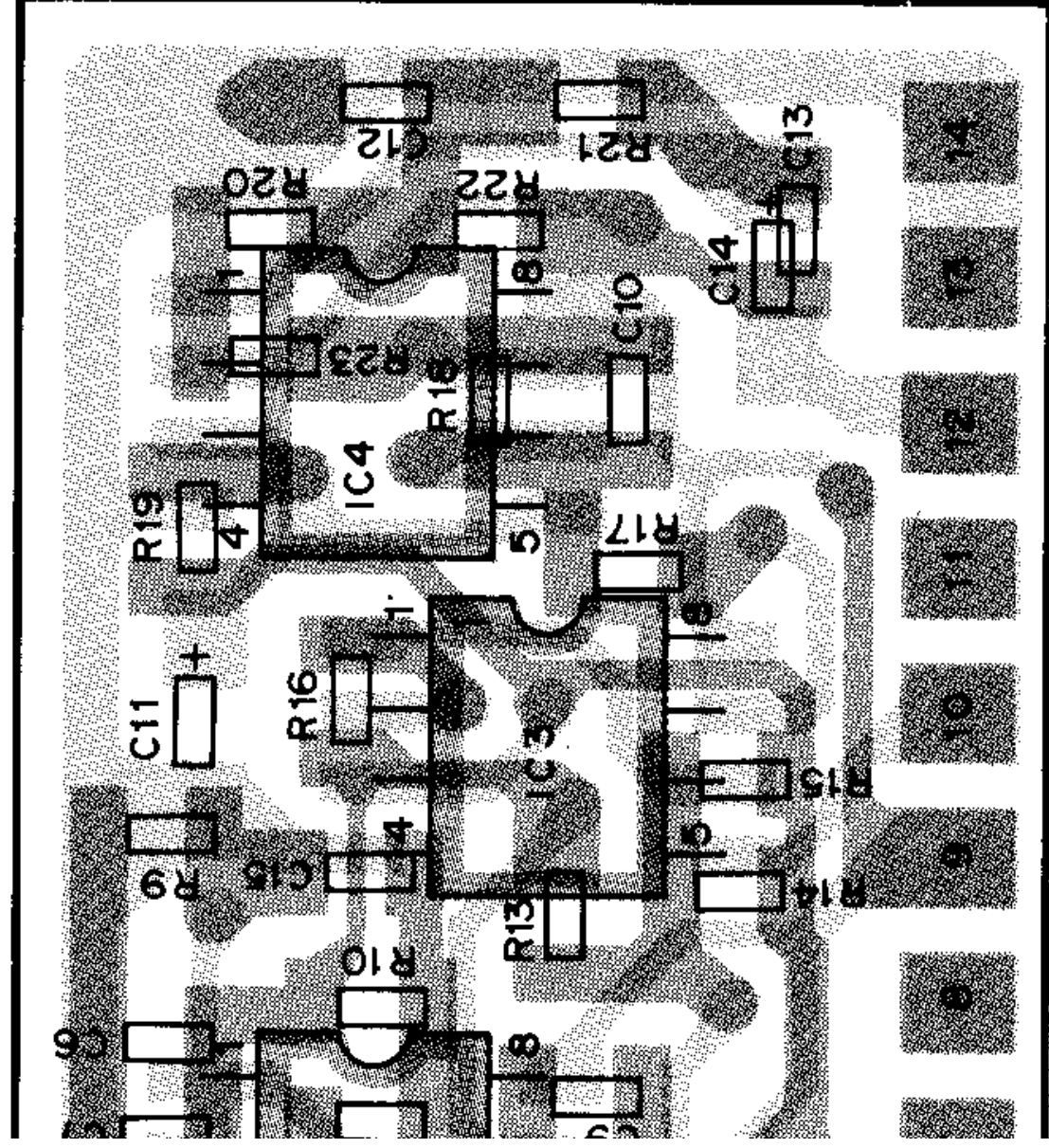


MC3361BD



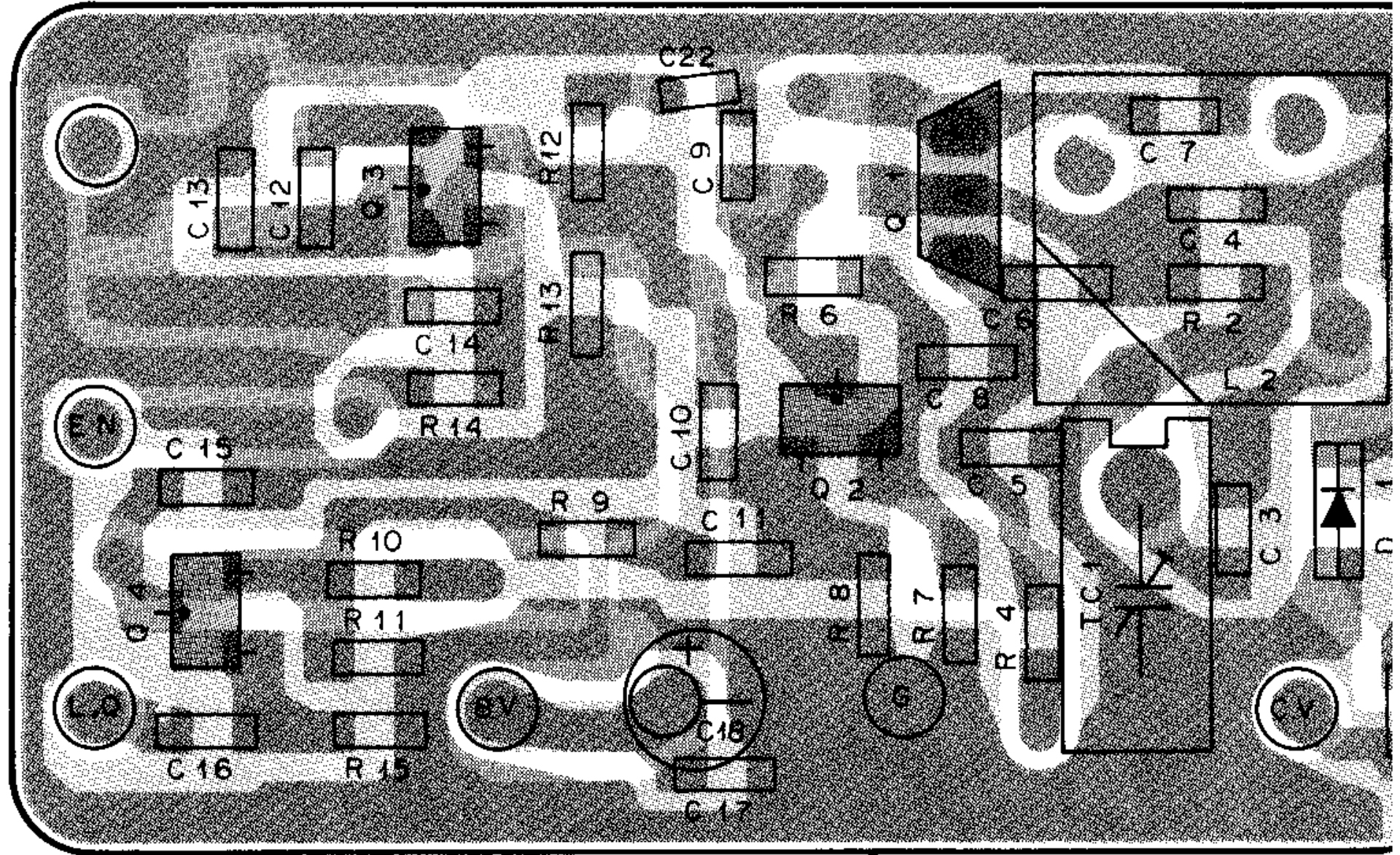


Foil side view





Component side view



Foil side view



2

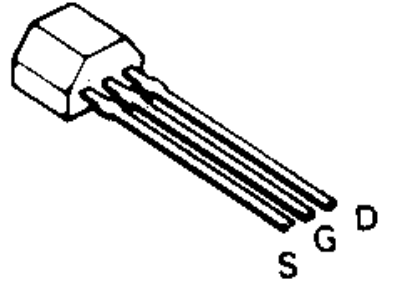
R11
56

.001

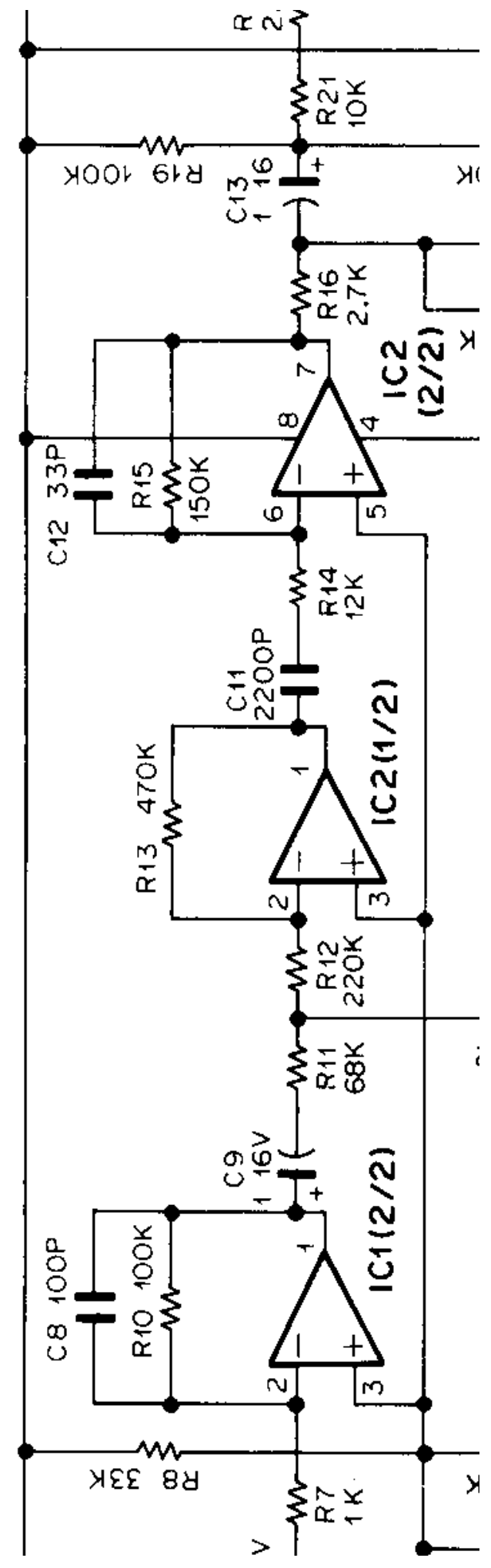
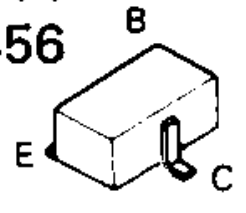
UNITS	C2	C4	C5	C6	C11	L2
X58-3290-10	27P	15P	6P	10P	1P	L34-2309-05
X58-3290-11	22P	18P	9P	15P	3P	L32-0658-05

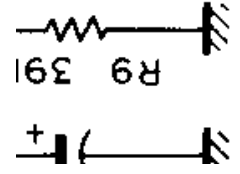


2SK125

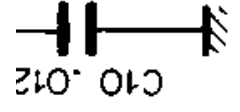


2SC2714
2SC3356

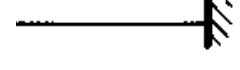




R9 391



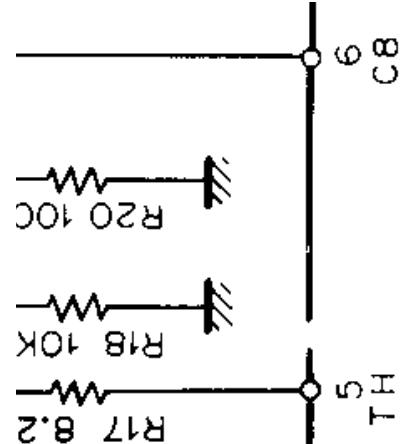
C10 .012



R17 8.2

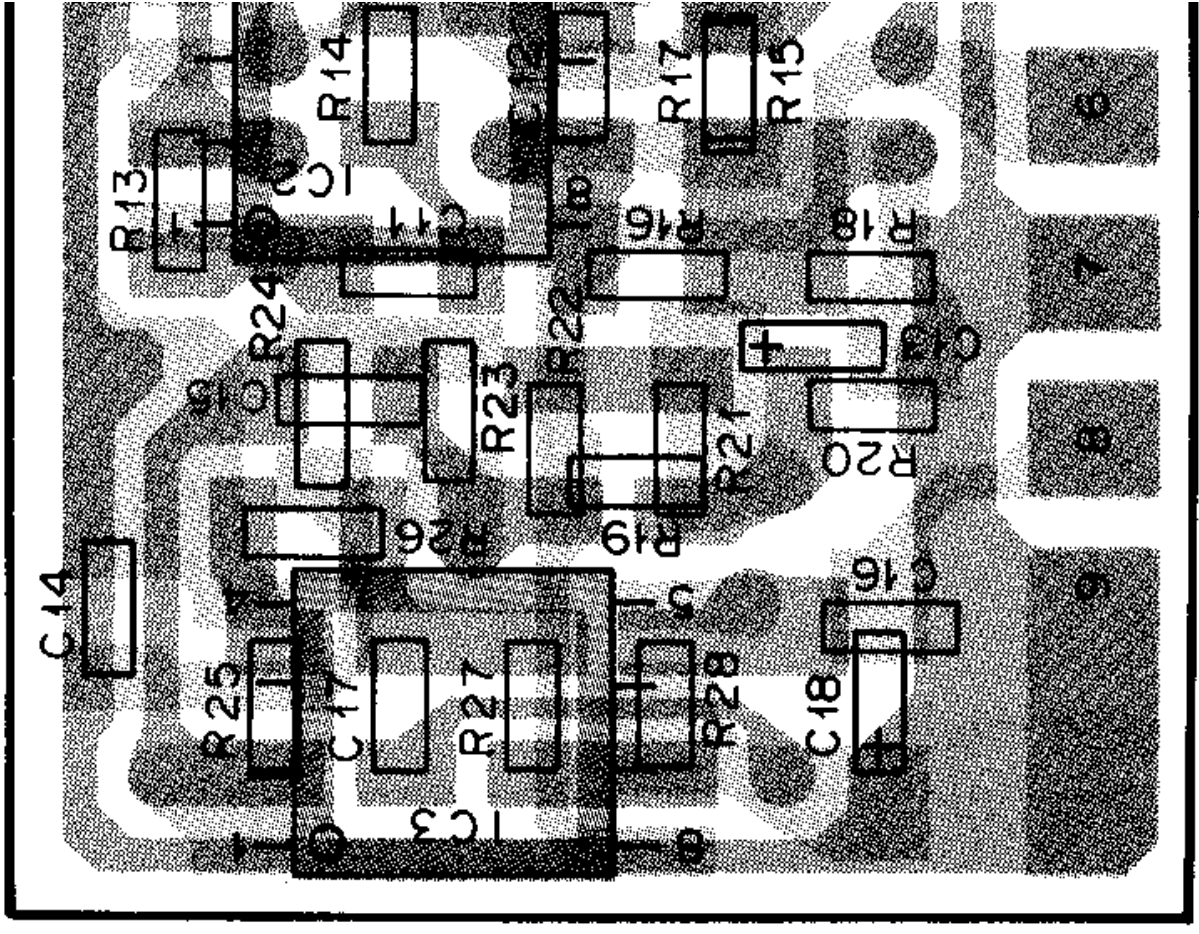
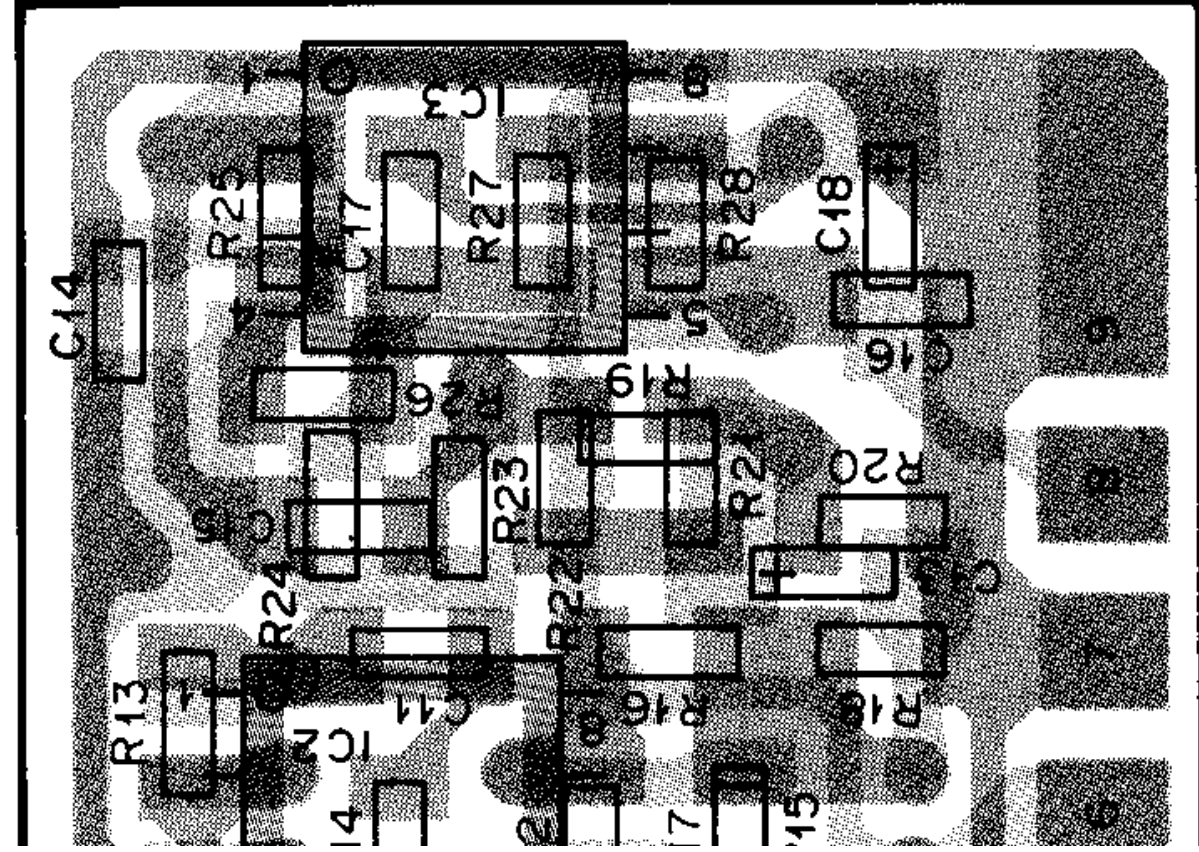
R18 10K

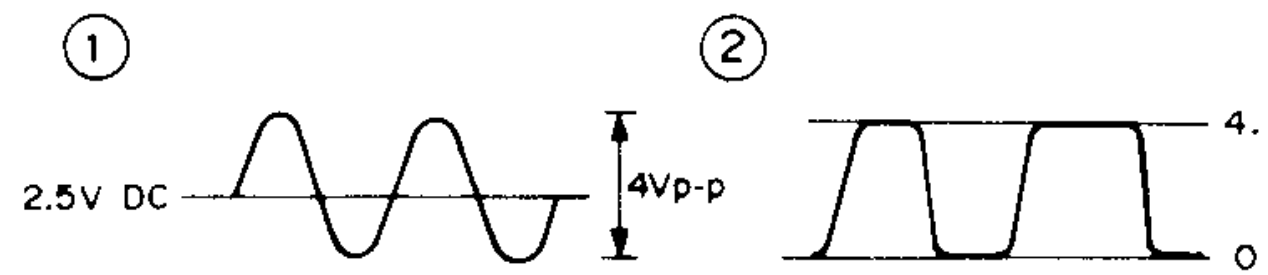
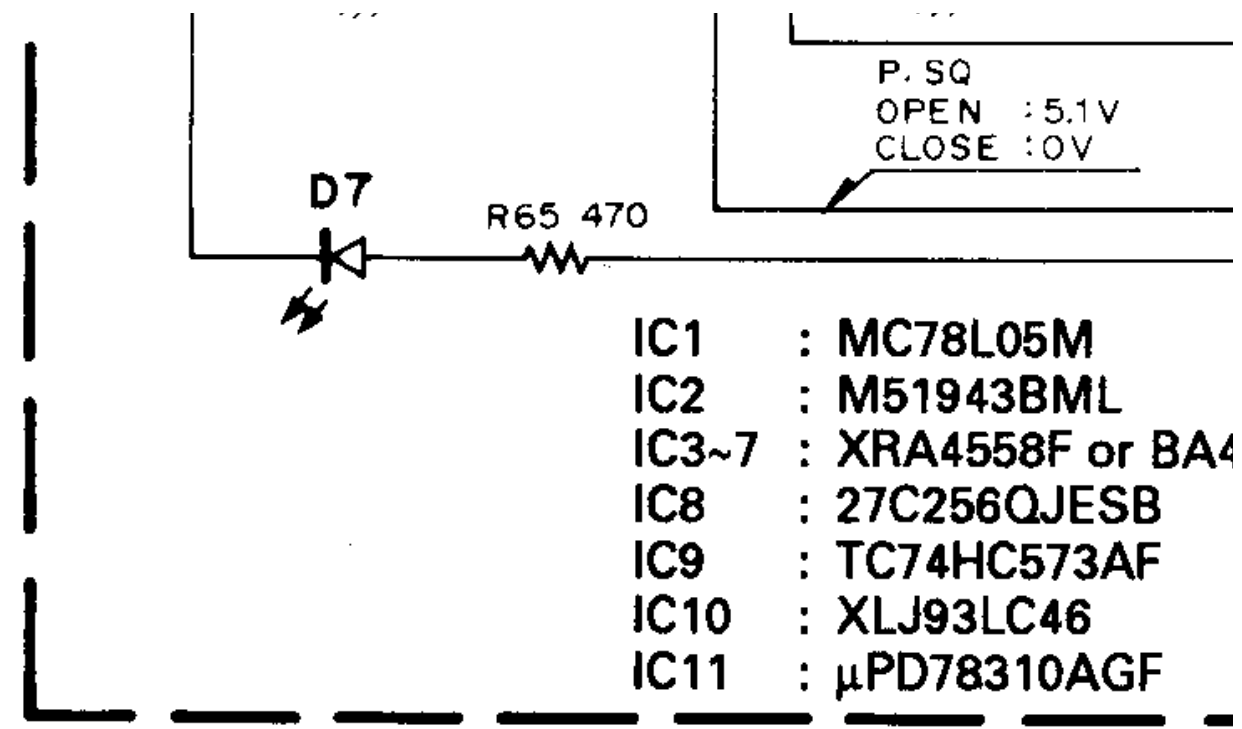
R20 100



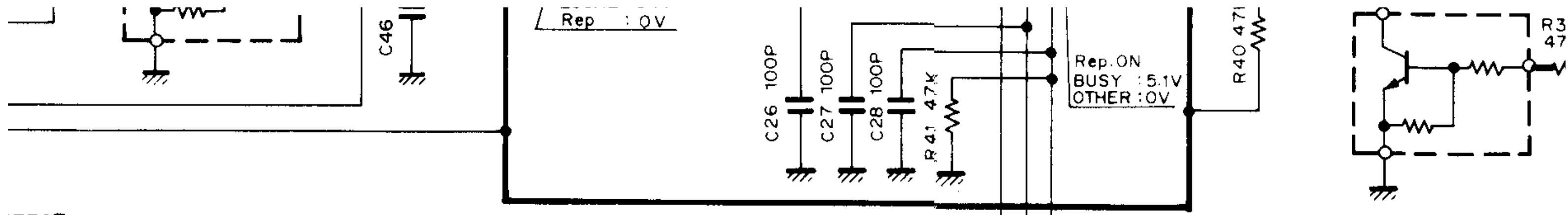
3 : NJM4558M

Foil side view





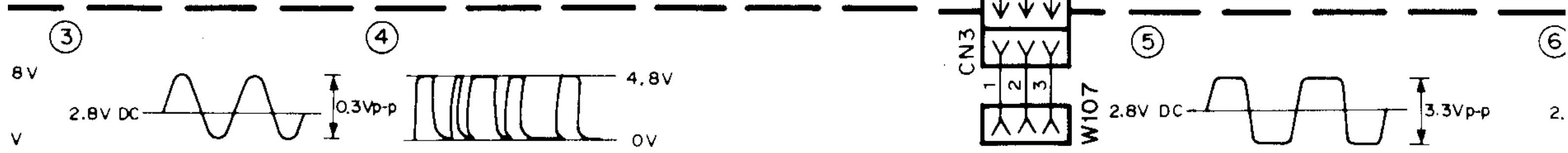
Scan&Edit
UA6AP

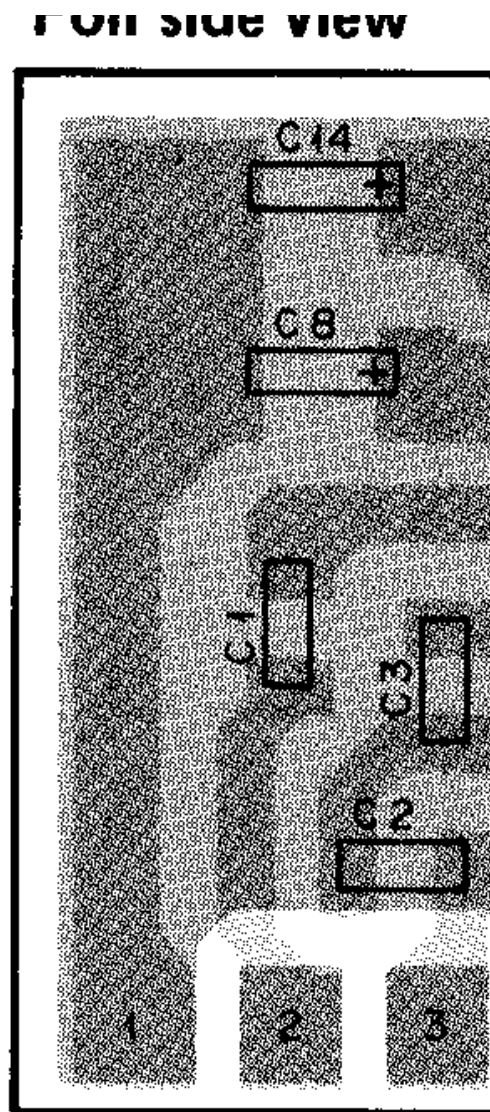
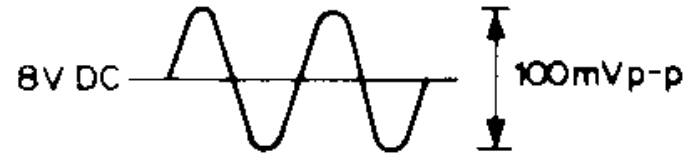
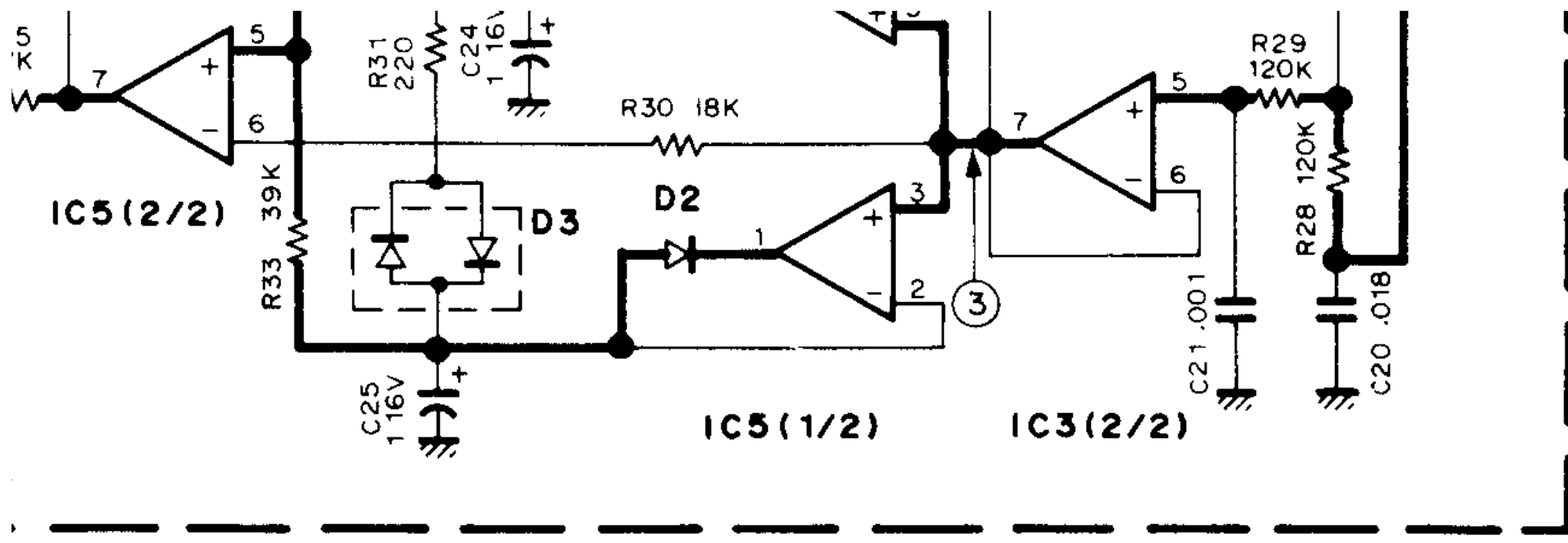


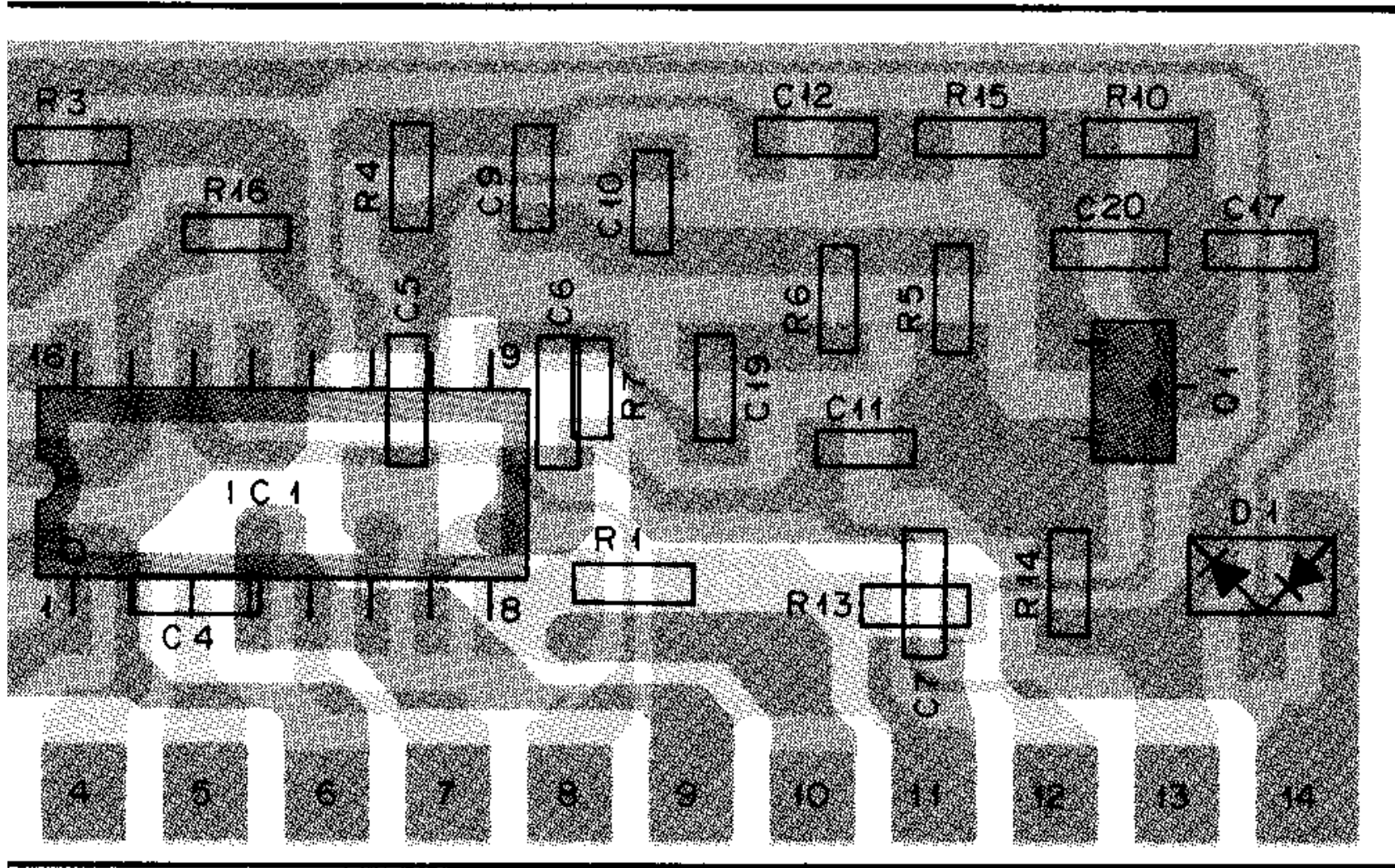
I558F

Q1~7 : DTC144EK
Q8 : DTA114EK
Q9 : 2SC3326(A)
Q10 : 2SJ106(GR)

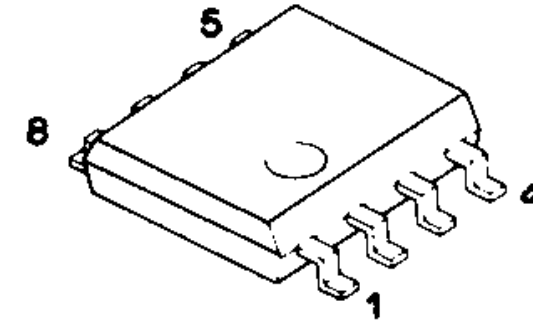
D1,2,4~6 : 1SS184
D3 : HSM88AS
D7 : B30-0838-05
D8 : MTZ8.2JB





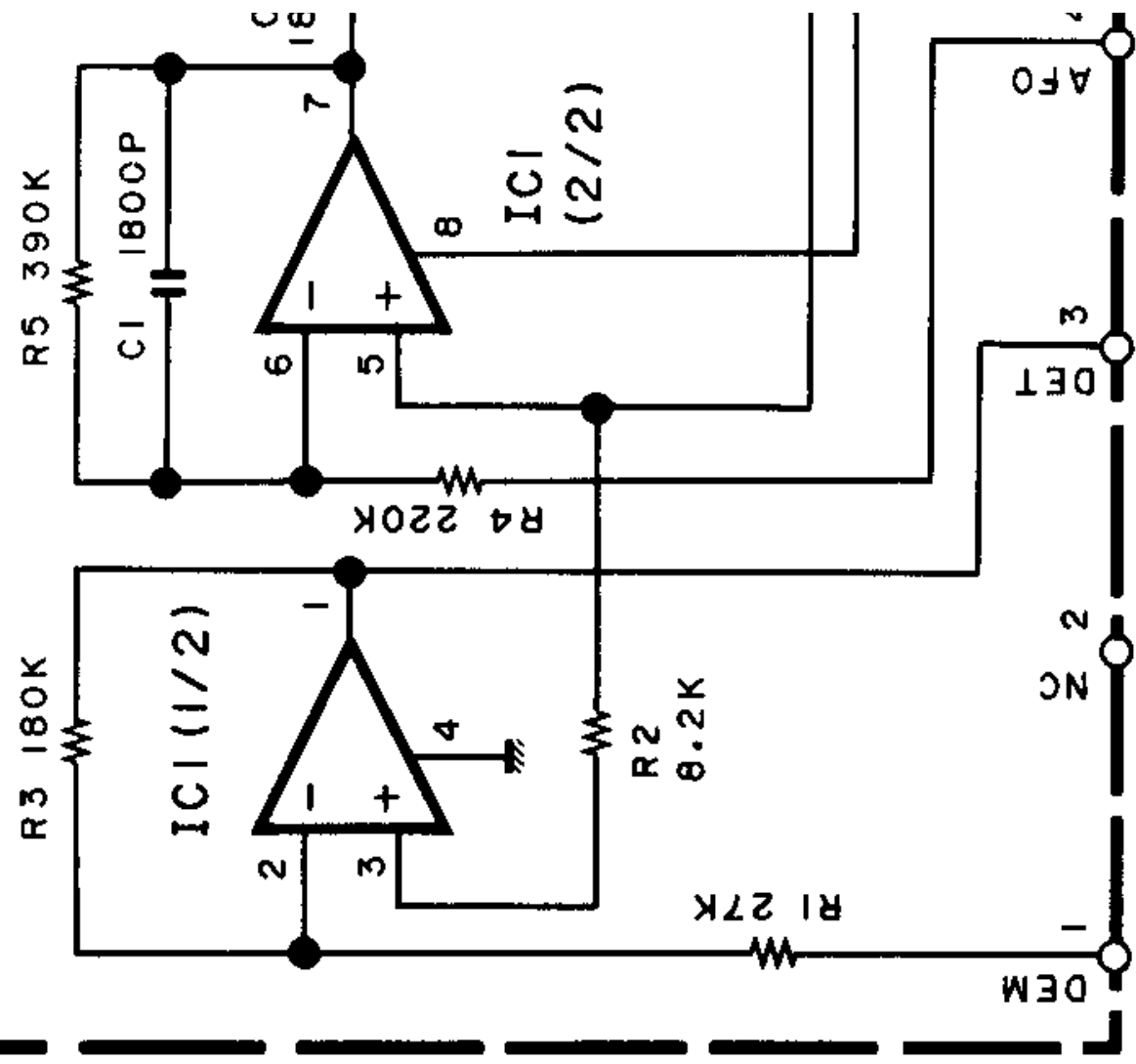




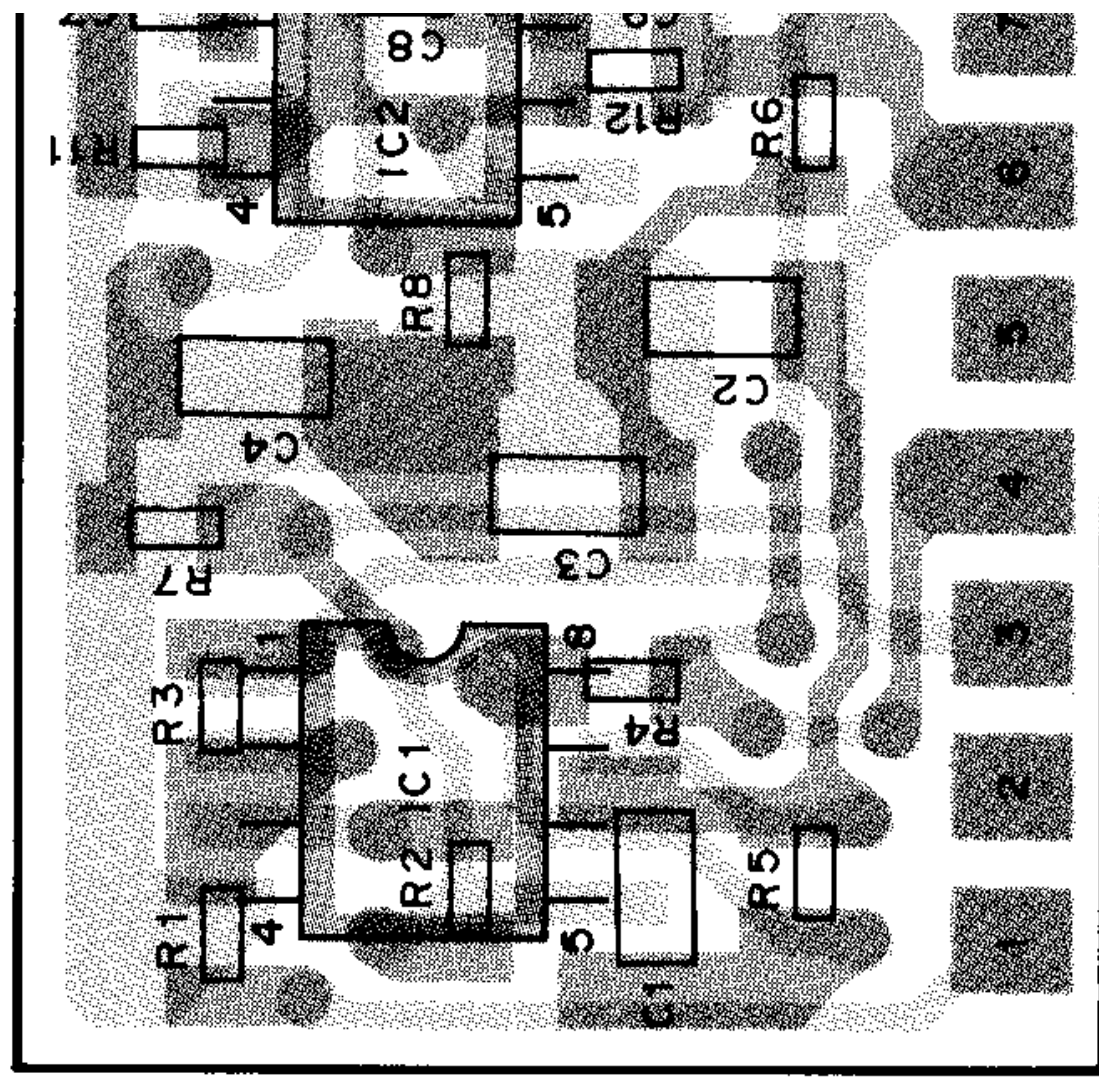
M5222FP
 NJM4558M
 NJM4560M

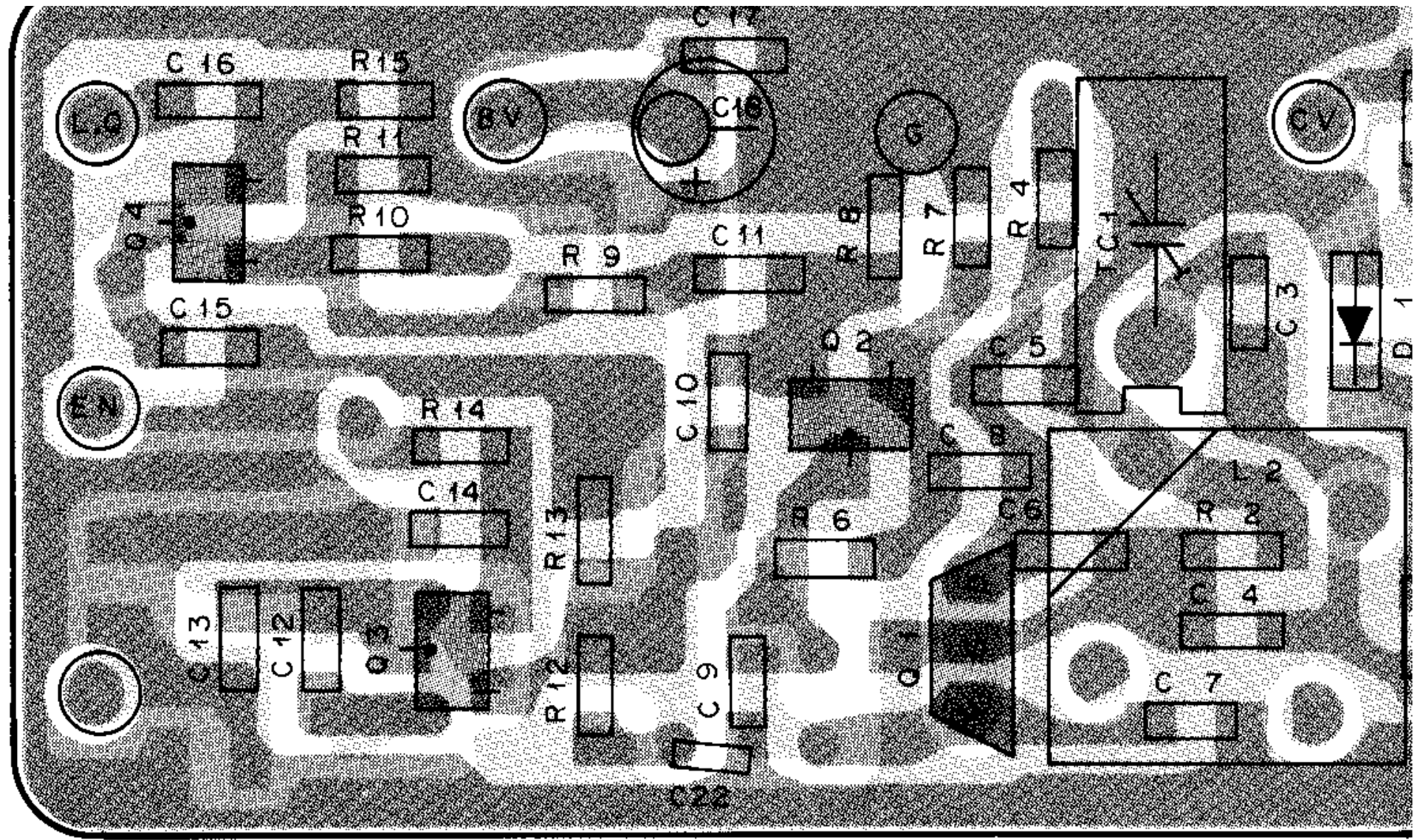


 : Component side
 : Foil side





Component side view





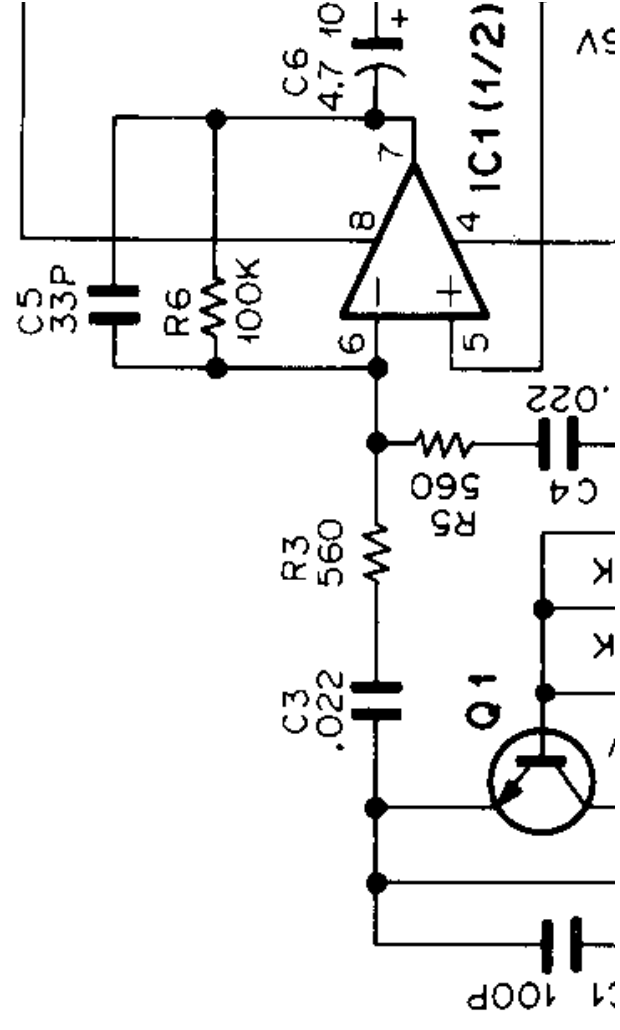


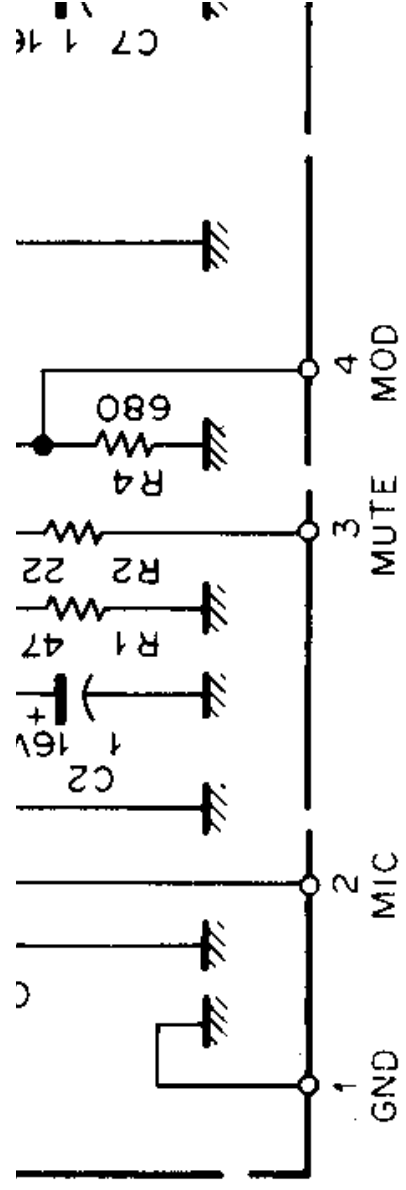
-  : Component side
-  : Foil side

70

MIC AMP : Z7 (X59-3210-10)

MIC AMP UNIT (X59-3210-10)





Q1 : 2SC3326(A)

IC1 : NJM4560M

IC2

Component side view

