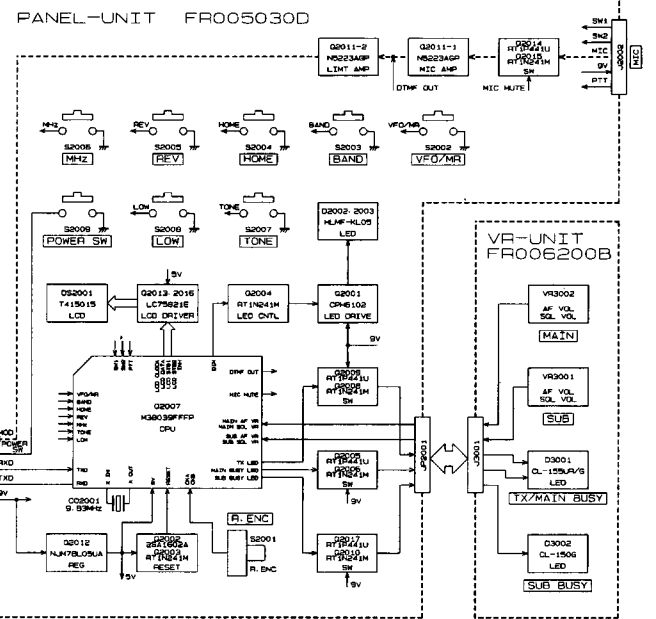
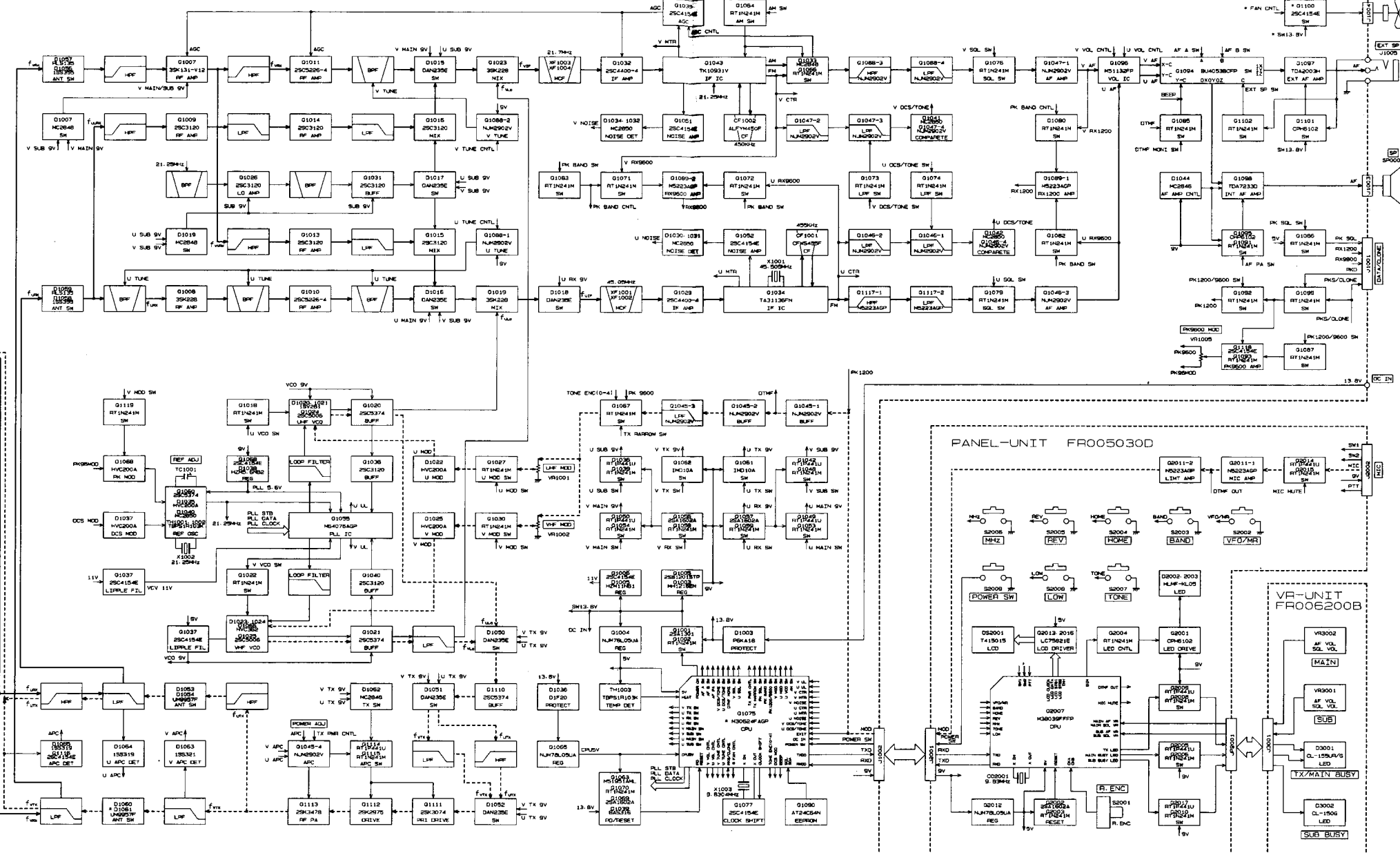


MAIN-UNIT

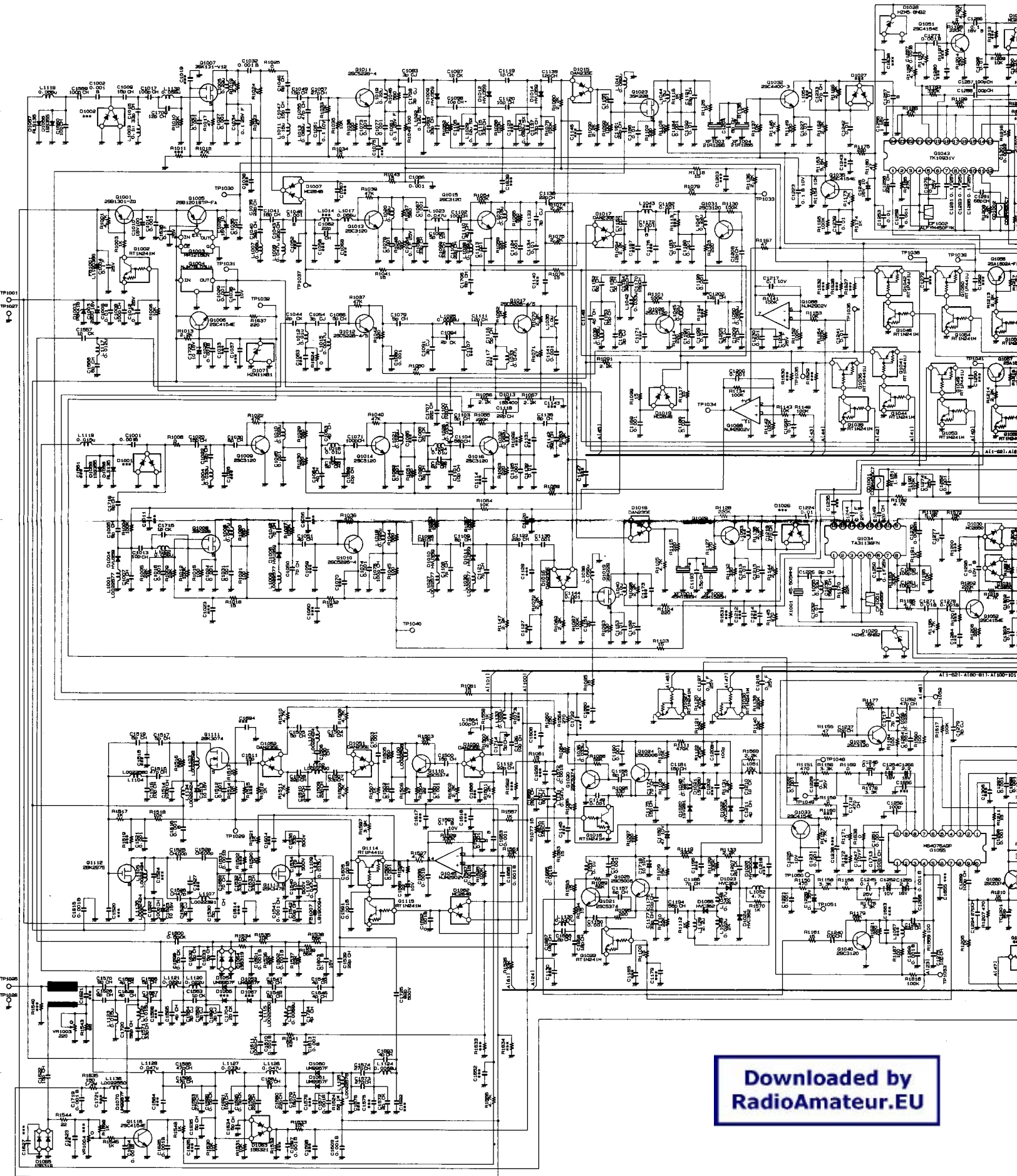


$f_{Vtx} = 144-145 \text{ MHz}$ $f_{Utx} = 430-440 \text{ MHz}$
 $f_{Vrx} = 144-145 \text{ MHz}$ $f_{Urx} = 430-440 \text{ MHz}$
 $f_{VLO} = f_{Vrx} - f_{VIF} \text{ MHz}$ $f_{ULO} = f_{Urx} - f_{UIF} \text{ MHz}$
 $f_{VIF} = 21.7 \text{ MHz}$ $f_{UIF} = 45.05 \text{ MHz}$

*	D1061	NF0001
C71000	UM9957F	FAN
C7100		

FT-7100M Circuit Diagram

MAIN-UNIT FR005020D



Downloaded by
RadioAmateur.EU

