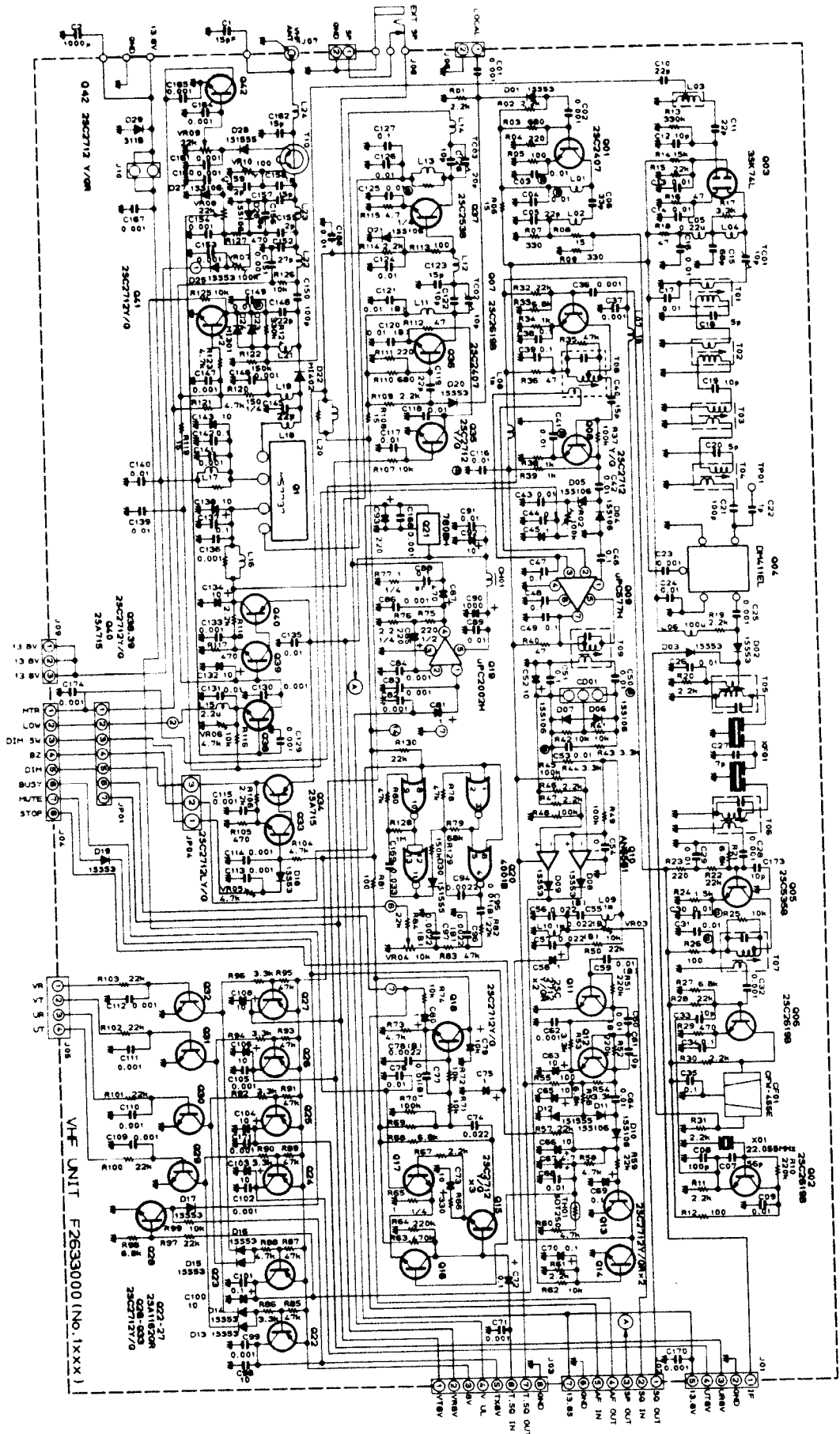
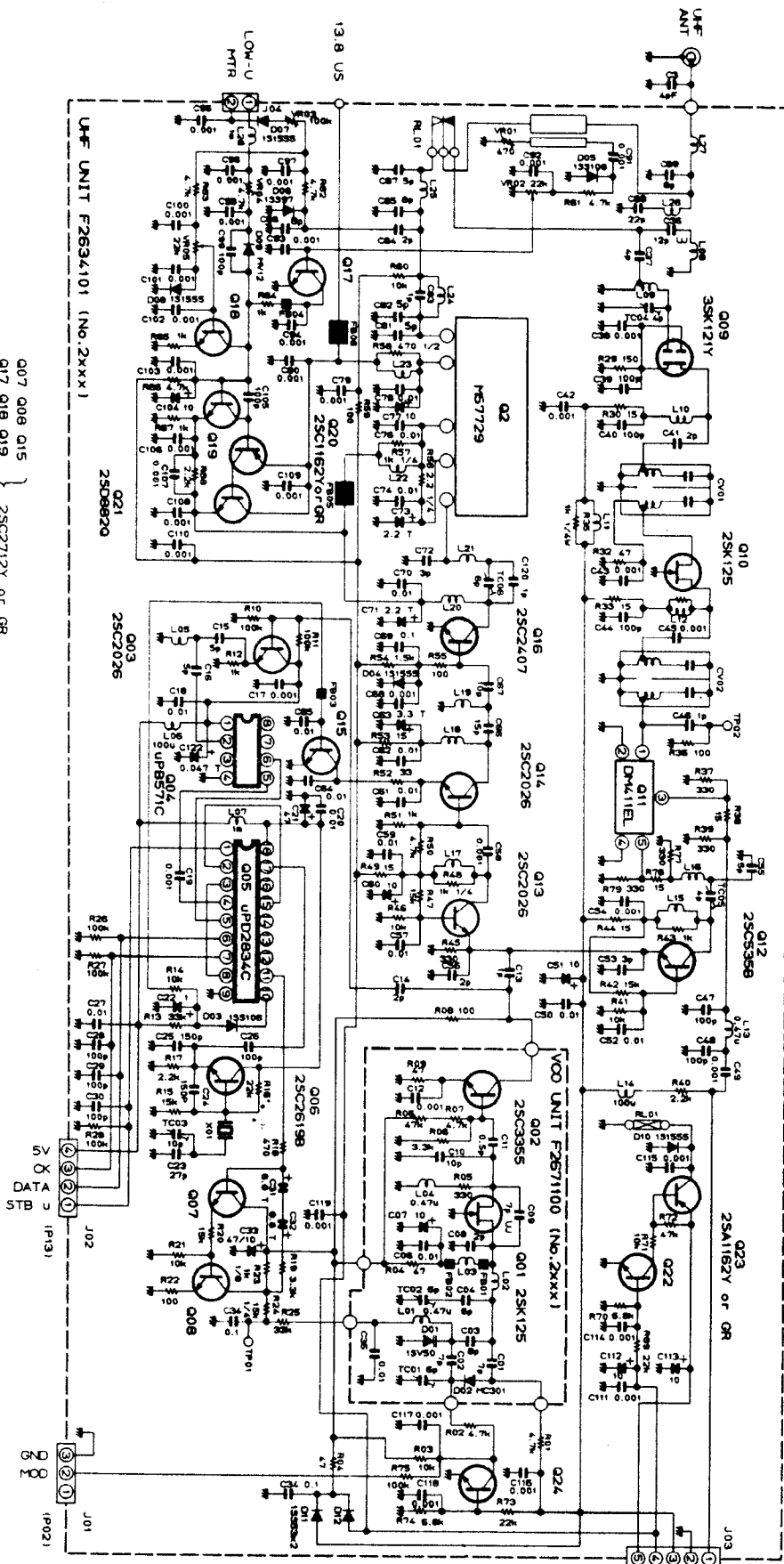


FT-2700RH
 CONNECTION DIAGRAM

VHF UNIT SCHEMATIC DIAGRAM



UHF UNIT SCHEMATIC DIAGRAM



Q07 Q08 Q15
Q17 Q18 Q19 } 2SC2712V or GR
Q22 Q24

UHF UNIT F2634101 (No. 2xxxx)

2S06820

2SC2026

2SC26198

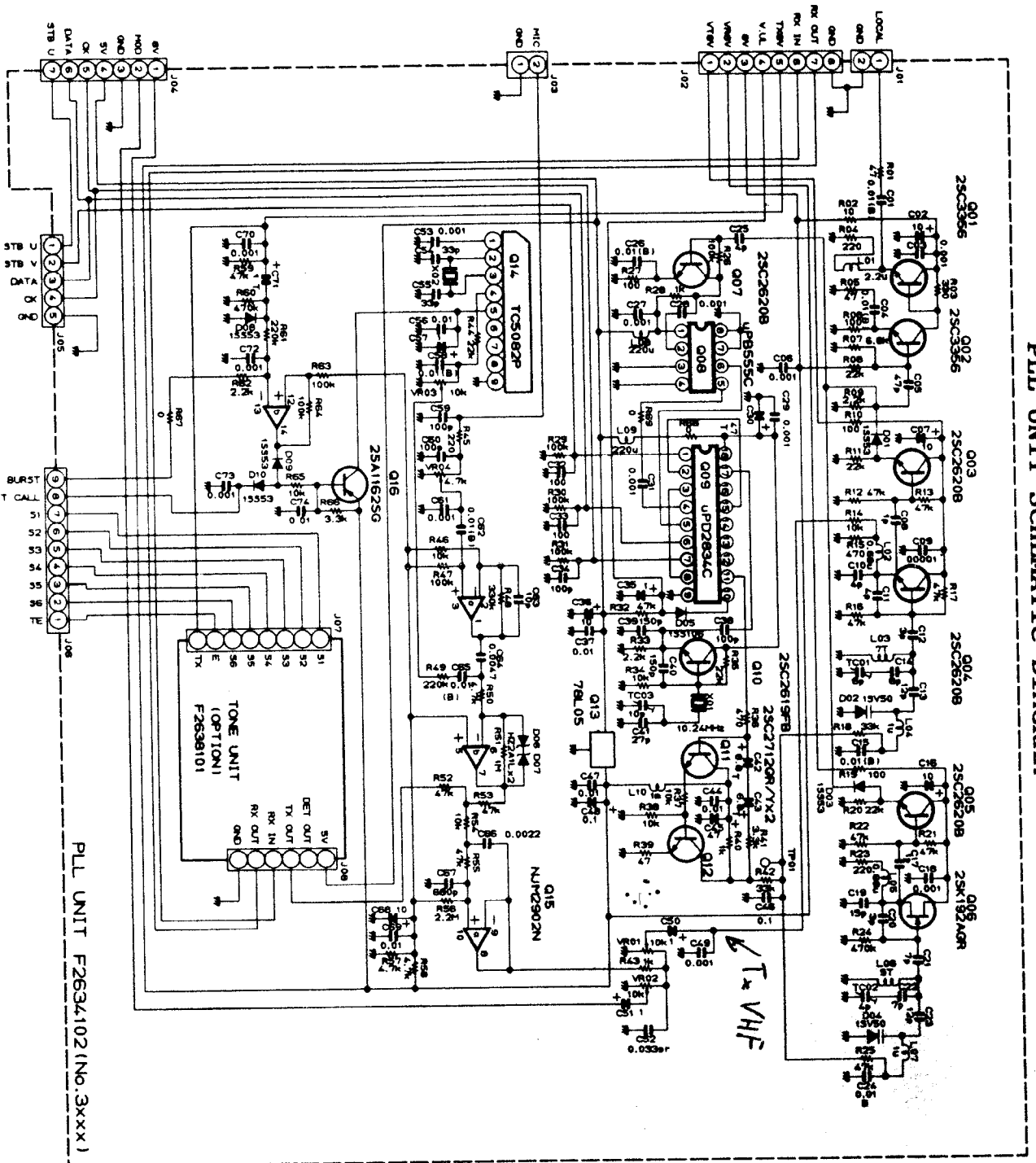
2SC3955

2SC1627C-GR

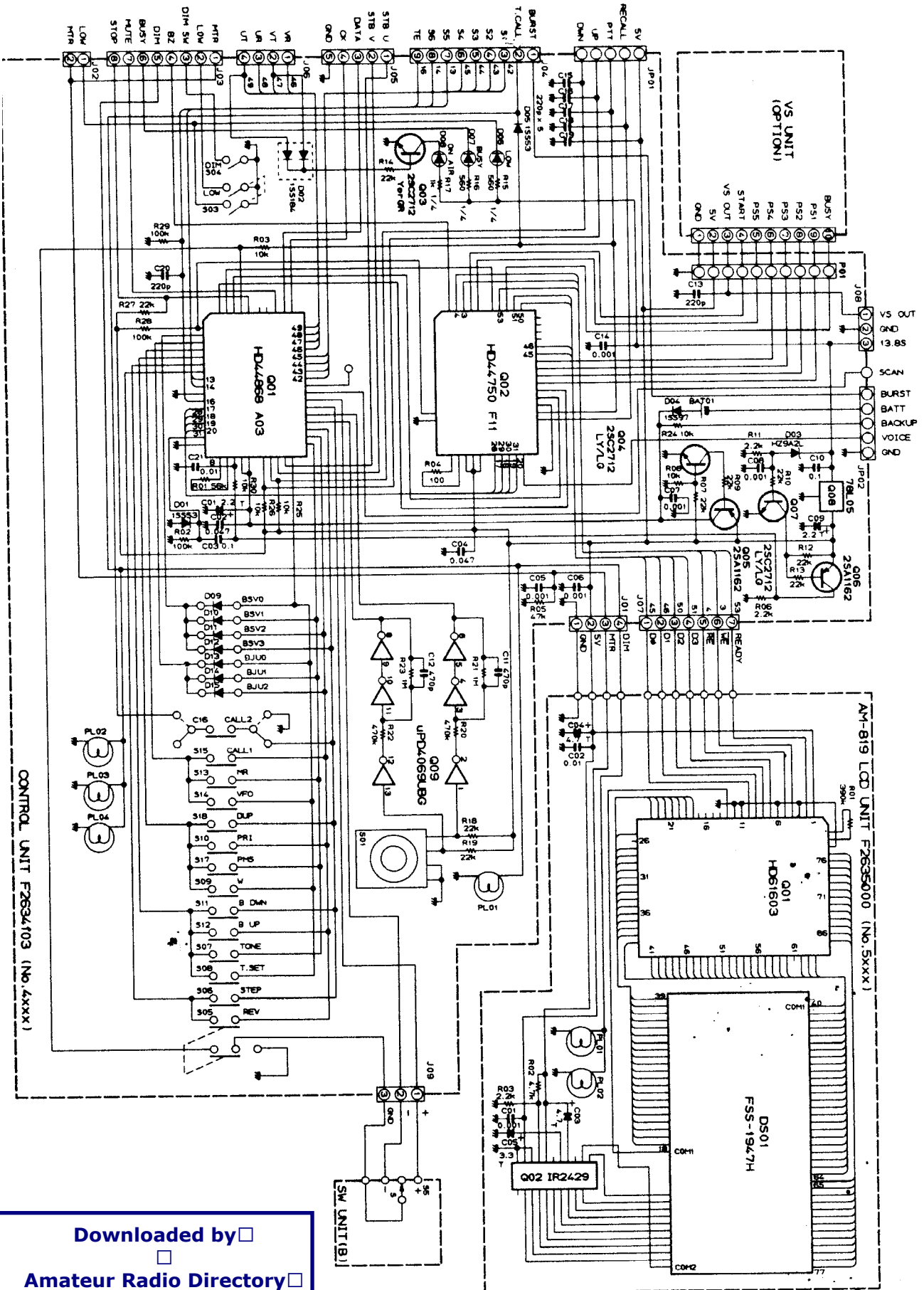
2SC2026

2SC2712V or GR

PLL UNIT SCHEMATIC DIAGRAM



CONTROL UNIT SCHEMATIC DIAGRAM



CONTROL UNIT F2634/103 (No. 4xxxx)

Downloaded by

 Amateur Radio Directory