

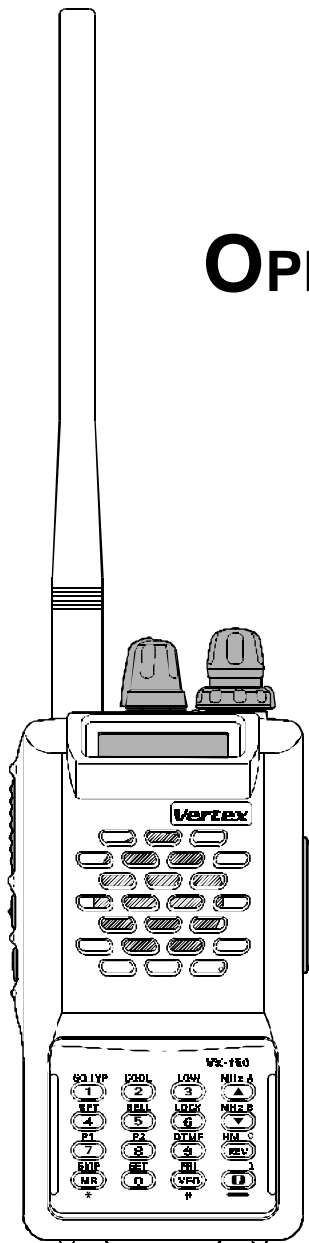


Vertex Standard

VHF FM TRANSCEIVER

VX-150

OPERATING MANUAL



**Downloaded by
RadioAmateur.EU**

YAESU MUSEN CO., LTD.

4-8-8 Nakameguro, Meguro-Ku, Tokyo 153-8644, Japan

YAESU U.S.A.

17210 Edwards Rd., Cerritos, CA 90703, U.S.A.

YAESU EUROPE B.V.

P.O. Box 75525 1118 ZN, Schiphol, The Netherlands

YAESU UK LTD.

Unit 12, Sun Valley Business Park, Winnall Close
Winchester, Hampshire, SO23 0LB, U.K.

YAESU GERMANY GmbH

Am Kronberger Hang 2, D-65824 Schwalbach, Germany

YAESU HK LTD.

11th Floor Tsim Sha Tsui Centre, 66 Mody Rd.,
Tsim Sha Tsui East, Kowloon, Hong Kong

Contents

Introduction	1	Memory Storage	18
Controls & Connectors	2	Storing Independent Transmit Frequencies (“Odd Splits”) ...	18
Accessories & Options	3	Memory Recall	18
Basic Operation	4	Memory Offset Tuning	19
Battery Pack Installation and Removal	4	HOME Channel Memory	19
Antenna Installation	5	Labeling Memories	19
Switching Power ON and OFF	6	Masking Memories	20
Adjusting the Volume Level	6	Memory Only Mode	20
Squelch Setup	6	Scanning	21
Transmitting	6	Setting the Scan Resume Technique	21
Frequency Navigation	7	To set the Scan-Resume mode	21
Changing the Transmitter Power Level	7	VFO Scanning	21
Changing the Channel Steps	7	Memory Scanning	22
Repeater Operation	8	How to Skip (Omit) a Channel During Memory Scan Operatin ...	22
Automatic Repeater Shift (ARS)	8	Programmable (Band Limit) Memory Scan (PMS) ...	22
Manual Repeater Shift Activation	8	Automatic Lamp Illumination on Scan Stop ...	23
Setting Repeater Tx Offset	9	Band Edge Beeper	23
Checking the Repeater Uplink (Input) Frequency ...	9	Smart Search Operation	23
Keyboard Locking	9	Setting the Smart Search Mode	24
Advanced Operation	10	Storing Smart Search Memories	24
VFO Split Mode	10	Priority Channel Scanning (Dual Watch) ...	24
Receive Battery Saver Setup	10	DTMF Operation	26
Tx Battery Saver	11	Manual DTMF Tone Generation	26
Keypad/LCD Illumination	11	DTMF Autodialer	26
Automatic Power-Off (APO) Feature	12	To send the telephone number	26
Checking the Battery Voltage	12	ARTS Operation	27
Disabling the BUSY/TX LED	12	Basic ARTS Setup and Operation	27
Busy Channel Lock-Out (BCLO)	12	ARTS Polling Time Options	28
Disabling the Key pad Beeper	13	ARTS Alert Beep Options	28
Programming the Key Functions	13	CW Identifier Setup	28
Transmitter Time-Out Timer (TOT)	13	To activate the CW identifier	29
Tone Calling (1750 Hz)	14	Interface of Packet TNCs	30
ANI Operation (Automatic Number Identification) ...	14	Reset	30
CTCSS Operation	15	Cloning	31
DCS Operation	16	Set Mode	32
Tone Search Scanning	17	Specifications	41
To scan for the tone in use	17		
CTCSS/DCS Bell Operation	17		
Memory Operation	18		

Introduction

The **VX-150** is an ultra compact FM hand-held providing up to five watts of RF power and a wealth of convenient features for the 2m amateur band. The **VX-150** has rubber gasket seals around all external controls and connectors to help keep out dust and rain or spray, assuring years of reliable operation even in harsh environments.

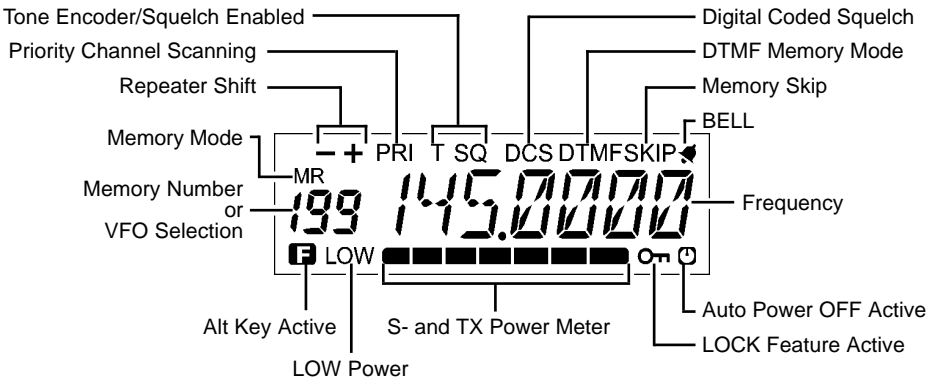
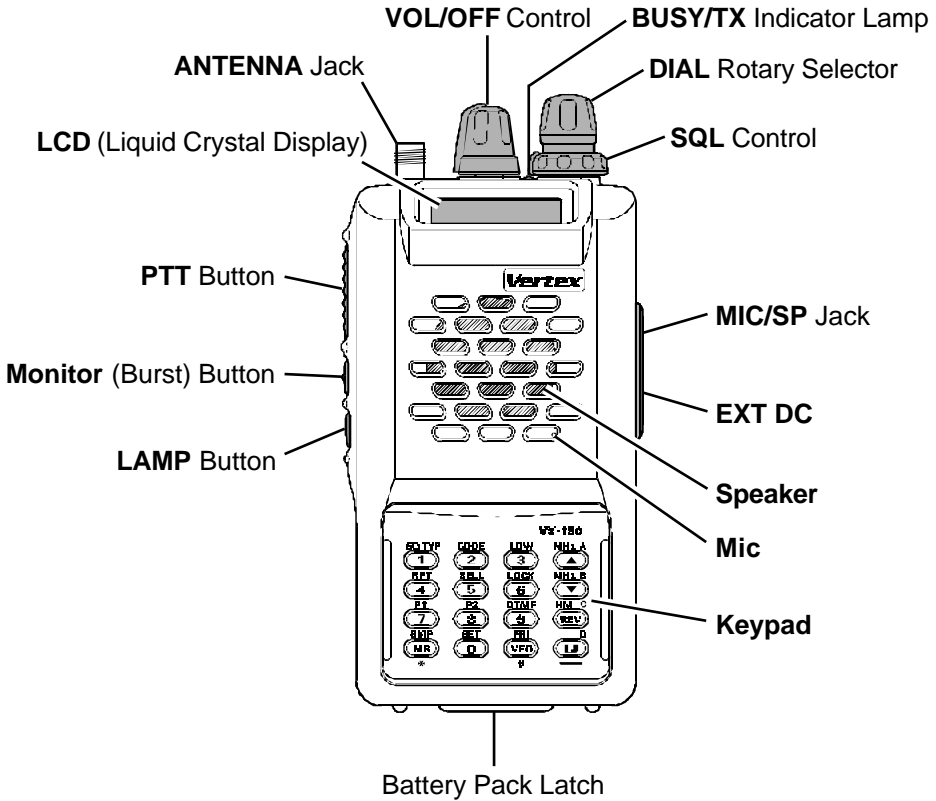
Sixteen multi-function keys provide the ultimate in programmability, with 199 freely tunable memories and two VFOs. All memories store repeater shifts or separate tx/rx frequencies, CTCSS (Continuous Tone Controlled Squelch System) or DCS status. You also get one instant-recall “Home” channel memory and ten special purpose memories for limited subband tuning/scanning. Busy channel band or selective memory scanning is provided along with priority channel monitoring; 1 MHz up/down stepping; ARS (automatic repeater shift) when tuned to repeater subbands; plus a top panel rotary dial for memory and frequency selection. The keypad serves as a DTMF encoder during transmission, and up to 9 DTMF memories can store 16 digits each for quick playback of commonly used numbers.

The liquid crystal display shows seven frequency digits, memory selection, CTCSS tone frequency, and includes a bargraph S/PO meter. Yaesu’s power saver system can be set by the operator for optimum sampling/standby ratio, or can be turned off for packet operation. And our new APO (Automatic Power Off) system shuts off the transceiver to avoid dead batteries if you doze off or are called away unexpectedly.

Operation under difficult conditions is simplified by a lamp button illuminating the display and backlit translucent keypad, diatonically assigned function-dependent keypad beeps.

Please read this manual carefully to gain a full understanding of the features of the **VX-150**.

Controls & Connectors



Accessories & Options

ACCESSORIES SUPPLIED WITH THE VX-150

FNB-64	Ni-Cd Battery Pack (7.2 V, 700 mAh)
NC-72A/B/C/F/U	Battery Chareger
Belt Clip	
Antenna	
Operating Manual	
Warranty Card	

AVAILABLE OPTIONS FOR YOUR VX-150

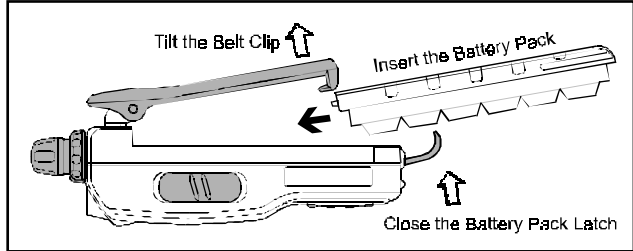
FNB-V57	7.2 V, 1100 mAh Ni-Cd Battery Pack
FNB-64	7.2 V, 700 mAh Ni-Cd Battery Pack
FBA-25	Compact Dry Cell Battery Case for 6 AA-size cells
CD-16	Desktop Rapid Charger (requires CA-24 and PA-23)
NC-72A	100 VAC Compact Wall Charger for FNB-64
NC-72B	120 VAC Compact Wall Charger for FNB-64
NC-72C	230-240 VAC Compact Wall Charger for FNB-64
NC-72F	220 VAC Compact Wall Charger for FNB-64
NC-72U	230 VAC Compact Wall Charger for FNB-64
NC-73	Desktop Rapid Charger
MH-34^{B4B}	External Hand Speaker/Microphone
MH-37^{A4B}	Earpiece/Microphone
VC-25	VOX Headset
E-DC-5B	DC Cable w/Noise Filter
E-DC-6	DC Cable; plug and wire only
CA-24	Charger Sleeve
PA-23	AC Adapter
CN-3	BNC-to-SMA Adapter
CT-44	Microphone Adapter
YHA-62	Rubber flex antenna
CT-27	Cloning Cable

Availability of accessories may vary: some accessories are supplied as standard per local regulations and requirements, others may be unavailable in some regions. Check with your Yaesu dealer for additions to the above list.

Basic Operation

BATTERY PACK INSTALLATION AND REMOVAL

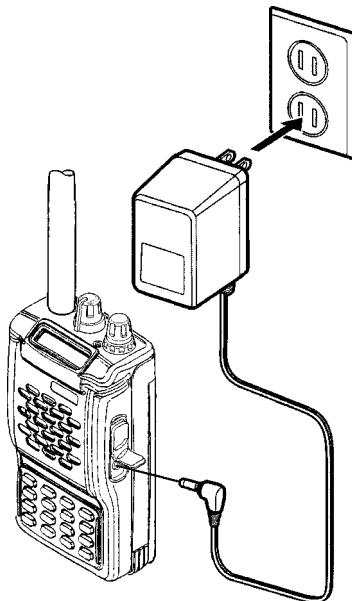
To install the battery, hold the transceiver with your left hand, so your palm is over the speaker and your thumb is on the top of the belt clip. Insert the battery pack into the battery compartment on the back of the radio while tilting the Belt Clip outward, then close the Battery Pack Latch until it locks in place with a “Click.” To remove the battery, turn the radio off and remove any protective cases. Open the Battery Pack Latch on the bottom of the radio, then slide the battery downward and out from the radio while unfolding the Belt Clip.



Do not attempt to open any of the rechargeable Ni-Cd packs, as they could explode if accidentally short-circuited.

If the battery has never been used, or its charge is depleted, it may be charged by connecting the **NC-72A/B/C/F/U** Battery Charger, as shown in the illustration, to the **EXT DC** jack. If only 12 ~ 16 Volt DC power is available, the optional **E-DC-5B** (with its cigarette lighter plug) or **E-DC-6 DC** Adapter may also be used for charging the battery.

The optional **FNB-V57** high-capacity battery can not be charged using the **NC-72**; please use the optional **CD-16**.



ANTENNA INSTALLATION

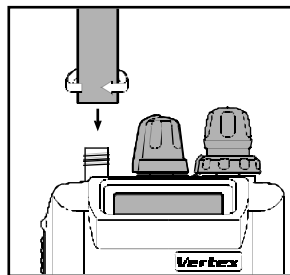
The supplied antenna provides good results over the entire frequency range of the transceiver. However, for enhanced coverage in remote areas, an external mobile or base station antenna may prove beneficial.

To install the supplied antenna

Hold the bottom end of the antenna, then screw it onto the mating connector on the transceiver until it is snug. Do not over-tighten by use of extreme force.

Notes:

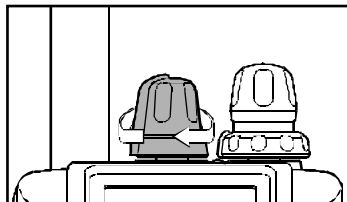
- Never transmit without having an antenna connected.
- When installing the supplied antenna, never hold the upper part of the antenna while screwing it onto the mating connector on the transceiver.
- Remember that a large base-station antenna will have considerably more gain than the supplied rubber flex antenna, and this added gain may degrade the ability of the **VX-150** to resist intermodulation-type interference. The installation of a suitable 144-148 MHz bandpass filter in the coaxial line to a base station will usually eliminate such interference, if encountered.



Basic Operation

SWITCHING POWER ON AND OFF

- ① Be sure the battery pack is installed.
- ② Connect the antenna to the top panel **ANTENNA** jack.
- ③ Switch on the transceiver by rotating the **VOL** control clockwise out of the click-stop (a momentary beep will sound).

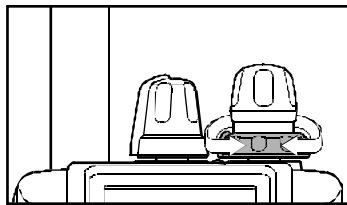


ADJUSTING THE VOLUME LEVEL

Rotate the **VOL** control (immediately to the right of the Antenna) to set the desired audio level. Clockwise rotation increases the volume level.

SQUELCH SETUP

Set the **SQL** control fully counterclockwise, rotate the **VOL** control out of the click-stop and adjust for a comfortable volume on the noise or received signal. The **BUSY/TX** indicator LED should glow green. If a signal is present, rotate the **DIAL** selector on the top panel to a channel where only noise is heard.

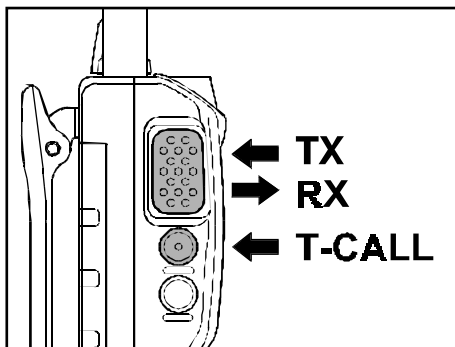


Adjust the **SQL** control just to the point where the noise is silenced and the LED is extinguished. If the **SQL** control is set further clockwise, sensitivity to weak signals will be reduced. Now, whenever a signal reaches the receiver that is strong enough to open the squelch, the indicator will glow green.

TRANSMITTING

When you wish to transmit, wait until the channel is clear (**BUSY/TX** lamp off), and squeeze the **PTT** switch. During transmission the **BUSY/TX** indicator glows red, and relative transmitter power output is indicated graphically along the bottom of the display. Release the **PTT** switch to receive.

If using a “B” version (in Europe), press the **T-CALL** switch (just below the **PTT** switch) to transmit a 1750 Hz tone to access repeaters that require it.



FREQUENCY NAVIGATION

Press the [VFO(PRI)] button, if necessary, to select the VFO mode. The **VX-150** has two VFOs, labeled “**A**” and “**B**,” either of which can be used for all of the procedures described in this manual. You can change VFOs with the [VFO(PRI)] button at any time.

There are several ways to tune the **VX-150**: in selectable channel steps *or* 1 MHz steps with the [▲] / [▼] keys or **DIAL** knob, and direct keypad frequency entry.

Use the **DIAL** knob to tune the displayed VFO frequency at the current channel step rate. You can also press the [▲] / [▼] keys momentarily to do this.

To change the MHz range of the VFO, you can press the [F] key followed by an [▲] or [▼] key (or turn the **DIAL** knob). Note the beeps when using the [▲] / [▼] keys when moving up or down. When done, press [F] again, or just wait five seconds.

You can also enter a frequency directly just by keying in the 1 MHz and the kHz digits. If you are using 5 kHz steps enter five digits. Otherwise, just four digits will do. Partial entries can be completed using the [VFO(PRI)] key.

Examples:

To enter 146.5200 MHz, press  →  →  →  → 

To enter 146.5000 MHz, press  →  →  → 

CHANGING THE TRANSMITTER POWER LEVEL

You can select between a total of three transmitter power levels on your **VX-150**. The exact power output will vary somewhat, depending on the voltage supplied to the transceiver. With the standard **FNB-64** Battery Pack, the power output levels available are:

HIGH: 5 W MID: 2 W LOW: 0.5 W

To change the power level:

- ① Press the [F/W] key, then immediately press the [3(L^{OW})] key.
- ② Now rotate the **DIAL** knob to select “LOW”, “MID”, or “HIGH”.
- ③ Press the **PTT** key to save the new setting and exit to normal operation.

CHANGING THE CHANNEL STEPS

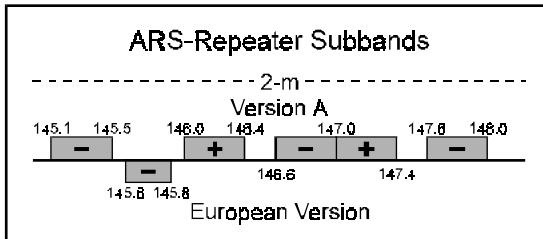
To change a frequency step, follow the procedure below:

- ① Press the [F] key, then immediately press the [0(SET)] key to enter the Set mode.
- ② Rotate the **DIAL** to select Menu Item #6 (“STEP”).
- ③ Press the [F] key to enable modification of the current setting.
- ④ Now rotate the **DIAL** knob to select 5, 10, 12.5, 15, 20, 25 or 50 kHz steps.
- ⑤ Press the **PTT** key to save the new setting and exit to normal operation.

Basic Operation

REPEATER OPERATION

The ARS (Automatic Repeater Shift) feature in the **VX-150** provides repeater shift of the transmit frequency whenever you are tuned to a standard repeater subband (see diagram below). When enabled, a small “-” or “+” will be displayed in the upper left-hand corner of the display, signifying that repeater shift is active, and closing the push-to-talk switch changes the display to the (shifted) transmit frequency.



Automatic Repeater Shift (ARS)

To re-enable ARS:

- ① Press the **[F]** key, then immediately press the **[0(SET)]** key to enter the Set mode.
- ② Rotate the **DIAL** to select Menu Item #2 (“ARS”).
- ③ Press the **[F]** key to enable modification of the current setting.
- ④ Now rotate the **DIAL** to select “ON” (to enable Automatic Repeater Shift).
- ⑤ Press the **PTT** key to save the new setting and exit to normal operation.

Tone Burst

For repeaters using 1750-Hz burst tone access, you can configure the switch below the PTT to send the access tone when this switch is pressed. See page 14 for details.

Manual Repeater Shift Activation

When a repeater shift is active, either “-” or “+” appears in the display. If neither appears when tuned to a repeater output frequency, you can activate the shift manually:

- ① Press the **[F]** key, then immediately press the **[0(SET)]** key to enter the Set mode.
- ② Rotate the **DIAL** to select Menu Item #3 (“RPT”).
- ③ Press the **[F]** key to enable modification of the current setting.
- ④ Rotate the **DIAL** to select the desired repeater shift direction (-RPT, +RPT or SIMP).
- ⑤ Press the **PTT** key to save the new setting and exit to normal operation.

Downloaded by
RadioAmateur.EU

Setting repeater Tx Offset

Although you should keep the repeater offset programmed to that used in your area, you can change the default repeater offset for special applications:

- ① Press the **[F]** key, then immediately press the **[0(SET)]** key to enter the Set mode.
- ② Rotate the **DIAL** to select Menu Item #4 (“SHIFT”).
- ③ Press the **[F]** key to enable modification of the current setting.
- ④ Rotate the **DIAL** to select the new shift offset frequency (selectable in 50-kHz increments only).
- ⑤ Press the **PTT** key to save the new setting and exit to normal operation.

Checking the Repeater Uplink (Input) Frequency

It often is helpful to be able to check the uplink (input) frequency of a repeater, to see if the calling station is within direct (“Simplex”) range.

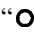
To do this, just press the **[REV(HM)]** key momentarily. If Menu Item #20 (“REV/HM”) has been set to “HM,” you may press the **[F]** key, and then **[REV(HM)]** key. To return to the normal uplink/downlink frequency relationship, repeat this step.

KEYBOARD LOCKING

In order to prevent accidental frequency change or inadvertent transmission, various aspects of the **VX-150**'s keys and switches may be locked out. The possible lockout combinations are:

KEY:	Just the front panel keys are locked out
DIAL:	Just the top panel DIAL is locked out
K + D (KEY + DIAL) :	Both the DIAL and Keys are locked out
PTT:	The PTT switch is locked (TX not possible)
K + P (KEY + PTT) :	Both the keys and PTT switch are locked out
D + P (DIAL + PTT) :	Both the DIAL and PTT switch are locked out
ALL:	All of the above are locked out

To lock out some or all of the keys:

- ① Press the **[F]** key, then press the **[0(SET)]** key to enter the Set mode.
- ② Rotate the **DIAL** to select Menu Item #32 (“LK MODE”).
- ③ Press the **[F]** key to enable setting of the Lock mode (which defines which keys/functions are to be locked out).
- ④ Rotate the **DIAL** to choose between one of the locking schemes as outlined above.
- ⑤ Once you have made your selection, press the **PTT** key momentarily to save the new setting and resume normal operation.
- ⑥ To activate the locking feature, press the **[F]** key, then press the **[6(LOCK)]** key. The “” icon will appear on the LCD. To cancel keyboard locking, again press the **[F]** key, followed by the **[6(LOCK)]** key.

Advanced Operation

VFO SPLIT MODE

For working on repeaters with odd splits, or communicating with astronauts on orbiting space vehicles, it may be necessary to use non-standard splits between the receive and transmit frequency. If the application is infrequent enough not to warrant the dedication of a memory channel for this purpose, the “VFO Split” mode may be used. Here is the procedure:

- ① Press the [**VFO(PRI)**] key, as needed, to select VFO-A. Set VFO-A for the receiving frequency (for example, 144.950 MHz).
- ② Now press the [**VFO(PRI)**] key, and set VFO-B for the desired transmit frequency (e.g. 144.750 MHz).
- ③ Press the [**VFO(DW)SC**] key once more to re-establish VFO-A as the “Main” (receive) VFO.
- ④ Press the [**F**] key, then press the [**0(SET)**] key, to enter the Set mode.
- ⑤ Rotate the **DIAL** to select Menu #5 (“V-SPLIT”).
- ⑥ Press the [**F**] key, then rotate the **DIAL** to set this function ON.
- ⑦ Press the **PTT** key once to save the new setting and exit to normal operation.
- ⑧ You will now be operating in a Split mode. When you press the **PTT** key to transmit, you will observe that VFO-A and VFO-B will reverse positions. The VFO selection indicator “b” will blink while the transceiver is transmitting, this means that the VFO Split feature is now activated.
- ⑨ If you need to modify the VFO-B (transmit) frequency (for Doppler Shift correction, etc.), just press the [**VFO(PRI)**] key, then make the necessary change, then press [**VFO(PRI)**] key once more to restore VFO-A to the “receive VFO” position.
- ⑩ When you have finished with Split operation, re-enter the Set mode, and set Menu #5 to OFF.

A split frequency pair set up via the VFO Split feature cannot be stored directly into memory. You can, however, store odd frequency pairs using a different (slightly simpler) procedure. See page 18.

RECEIVE BATTERY SAVER SETUP

An important feature of the **VX-150** is its Receive Battery Saver, which “puts the radio to sleep” for a time interval, periodically “waking it up” to check for activity. If somebody is talking on the channel, the **VX-150** will remain in the “active” mode, then resume its “sleep” cycles. This feature significantly reduces quiescent battery drain, and you may change the amount of “sleep” time between activity checks using the Menu System:

- ① Press the [**F**] key, then press the [**0(SET)**] key to enter the Set mode.
- ② Rotate the **DIAL** to select Menu Item #9 (“RX SAVE”).
- ③ Press the [**F**] key to enable adjustment of this Menu item.

Advanced Operation

- ④ Rotate the **DIAL** to select the desired “Sleep” duration. The selections available are 200 ms, 300 ms, 500 ms, 1 second, and 2 seconds, or OFF. The default value is 200 ms.
- ⑤ When you have made your selection, press the **PTT** key to save the new setting and exit to normal operation.

When you are operating on Packet, switch the Receive Battery Saver OFF, as the sleep cycle may “collide” with the beginning of an incoming Packet transmission, causing your TNC not to receive the full data burst. Likewise, during voice operation, part of the first word of an incoming transmission may be cut off during (normal) Battery Saver operation.

TX BATTERY SAVER

The **VX-150** also includes a useful Transmit Battery Saver, which will automatically lower the power output level when the last signal received was very strong. With the Transmit Battery Saver, the automatic selection of Low Power operation conserves battery drain significantly.

To activate the Transmit Battery Saver:

- ① Press the [**F**] key, then press the [**0(SET)**] key to enter the Set mode.
 - ② Rotate the **DIAL** to select Menu Item #10 (“TX SAVE”).
 - ③ Press the [**F**] key to enable adjustment of this Menu item.
 - ④ Rotate the **DIAL** so as to select ON (thus activating the Transmit Battery Saver).
 - ⑤ When you have completed your selection, press the **PTT** key to save the new setting and exit to normal operation.
-

KEYPAD/LCD ILLUMINATION

Your **VX-150** includes a reddish illumination lamp which aids in nighttime operation. Three options for activating the lamp are provided:

- KEY :** Pressing any key (except **PTT**) causes the lamp to provide illumination for 5 seconds, after which the lamp will automatically shut off.
- 5SEC :** Pressing the **LAMP** switch momentarily causes the lamp to provide illumination for 5 seconds, after which the lamp will automatically shut off.
- TOGGLE :** Pressing the **LAMP** switch momentarily “Toggles” the lamp on and off. The lamp will stay illuminated until you press the **LAMP** switch once more.

Here is the procedure for setting up the Lamp mode:

- ① Press the [**F**] key, then immediately press the [**0(SET)**] key to enter the Set mode.
 - ② Now rotate the **DIAL** to select Menu Item #21 (“LMP MOD”).
 - ③ Press the [**F**] key to enable modification of the current setting.
 - ④ Next, rotate the **DIAL** to select one of the three modes described above.
 - ⑤ When you have made your choice, press the **PTT** key to save the new setting for Menu Item #21. The transceiver will now return to normal operation.
-

Advanced Operation

AUTOMATIC POWER-OFF (APO) FEATURE

The APO feature helps conserve battery life by automatically turning the radio off after a user-defined period of time within which there has been no dial or key activity. The available selections for the time before power-off are 0.5/1/3/5/8 hours, as well as APO Off. The default condition for the APO is OFF, and here is the procedure for activating it:

- ① Press the **[F]** key, then press the **[0(SET)]** key to enter the Set mode.
- ② Rotate the **DIAL** to select Menu Item #11 (“APO”).
- ③ Press the **[F]** key to enable adjustment of this Menu item.
- ④ Rotate the **DIAL** to select the desired time period after which the radio will automatically shut down.
- ⑤ Once you have made your selection, press the **PTT** key to save the new setting and exit to normal operation.

CHECKING THE BATTERY VOLTAGE

The **VX-150** is capable of measuring the current battery voltage.

- ① Press the **[F]** key, then press the **[0(SET)]** key to enter the Set mode.
- ② Rotate the **DIAL** to select Menu Item #37 (“BATT”).
- ③ Press the **[F]** key to check the battery voltage.
- ④ To return to normal operation, press the **[F]** key, then press the **PTT**.

DISABLING THE BUSY/TX LED

Further battery conservation may be accomplished by disabling the **BUSY/TX** LED. Use the following procedure:

- ① Press the **[F]** key, then press the **[0(SET)]** key to enter the Set mode.
- ② Rotate the **DIAL** to select Menu Item #12 (“TRX LED”).
- ③ Press the **[F]** key to enable adjustment of this Menu item.
- ④ Rotate the **DIAL** to set this Menu item to OFF (thus disabling the **BUSY/TX** LED).
- ⑤ Press the **PTT** key to save the new setting and exit to normal operation.

BUSY CHANNEL LOCK-OUT (BCLO)

The BCLO feature *prevents* the radio’s transmitter from being activated if a signal strong enough to break through the “Noise” squelch is present. The default setting for the BCLO is OFF, and here is how to change that setting:

- ① Press the **[F]** key, then press the **[0(SET)]** key to enter the Set mode.
- ② Rotate the **DIAL** to select Menu Item #23 (“BCLO”).
- ③ Press the **[F]** key to enable adjustment of this Menu item.
- ④ Rotate the **DIAL** to set the BCLO feature to the “ON” position.
- ⑤ Press the **PTT** key to save the new setting and resume normal operation.

DISABLING THE KEYPAD BEEPER

If the keypad's Beeper creates an inconvenience, it may easily be disabled.

- ① Press the **[F]** key, then press the **[0(SET)]** key to enter the Set mode.
- ② Rotate the **DIAL** to select Menu Item #16 (“KEY BP”).
- ③ Press the **[F]** key to enable adjustment of this Menu item.
- ④ Rotate the **DIAL** to change the setting from ON to OFF.
- ⑤ When you have made your selection, press the **PTT** key to save the new setting and exit to normal operation.

PROGRAMMING THE KEY FUNCTIONS

Default **VX-150** set mode have been assigned (at the factory) to the **[7(P1)]** and **[8(P2)]** keys. These may be changed by the user, if you wish to define another set mode for a keys.

To change the assignment of a key's set mode:

- ① Press the **[F]** key, then press the **[0(SET)]** key, to enter the Set mode.
- ② Rotate the **DIAL** knob to click through the menu in search of the desired function.
- ③ Press and hold in the **[F]** key for one second, then press the **[7(P1)]** or **[8(P2)]** key to be assigned.
- ④ Press the **PTT** key to save the new setting and exit to the set mode.

TRANSMITTER TIME-OUT TIMER (TOT)

The TOT feature provides a safety switch which limits transmission to a pre-programmed maximum duration. This will promote battery conservation by not allowing you to make excessively-long transmissions, and in the event of a stuck **PTT** switch (perhaps if the radio or a Speaker/Mic is wedged between car seats) it can prevent interference to other users as well as battery depletion. As configured at the factory the TOT feature is set to OFF, and here is the procedure for activating it:

- ① Press the **[F]** key, then press the **[0(SET)]** key to enter the Set mode.
- ② Rotate the **DIAL** to select Menu Item #22 (“TOT”).
- ③ Press the **[F]** key to enable adjustment of this Menu item.
- ④ Rotate the **DIAL** to set the Time-Out Timer to the desired “Maximum TX” time (1 minute, 2.5 minutes, 5 minutes, or 10 minutes).
- ⑤ Once you've made the selection you wish to use, press the **PTT** key to save the new setting and exit to normal operation.

Advanced Operation

TONE CALLING (1750 Hz)

If the repeaters in your country require a 1750-Hz burst tone for access (typically in Europe), you can set the **MONI** key to serve as a “**TONE CALL**” switch instead. To change the configuration of this switch, we again use the Menu to help us.

- ① Press the **[F]** key, then press the **[0(SET)]** key to enter the Set mode.
- ② Rotate the **DIAL** to select Menu Item #19 (“MON/TCL”).
- ③ Press the **[F]** key to enable adjustment of this Menu item.
- ④ Rotate the **DIAL** to select “T.CALL” on the display.
- ⑤ Press the **PTT** key to save the new setting and exit to normal operation.

ANI OPERATION (AUTOMATIC NUMBER IDENTIFICATION)

When you activate the ANI feature, the DTMF tones stored in ANI memory will automatically be sent whenever you press the **PTT** button.

Here is the ANI storage procedure:

- ① Press the **[F]** key, then press the **[0(SET)]** key, to enter the Set mode.
- ② Rotate the **DIAL** to select Menu #36 (“ANI”).
- ③ Press the **[F]** key to enable changing of this Menu item.
- ④ Press the **[F]** key, then press the **[F/W]** key again, to begin entry of the letters and numbers in the ANI code.
- ⑤ Rotate the **DIAL** to select the first letter or number in the ANI code. When the correct character has been selected, press the **[▲]** key to move on to the next character.
- ⑥ Repeat step ⑤ as many times as necessary to complete the ANI code.
- ⑦ When you have completed entry of the ANI code, press the **[F]** key.
- ⑧ Press the **PTT** key to save the settings and exit to normal operation.

To activate the ANI identifier:

- ① Press the **[F]** key, then press the **[0(SET)]** key, to enter the Set mode.
- ② Rotate the **DIAL** to select Menu #36 (“ANI”).
- ③ Press the **[F]** key to enable changing of this Menu item.
- ④ Rotate the **DIAL** to set the ANI function ON.
- ⑤ When you have made your selection, press the **PTT** key to save the new setting and exit to normal operation.

CTCSS OPERATION

Many repeater systems require that a very-low-frequency audio tone be superimposed on your FM carrier in order to activate the repeater. This helps prevent false activation of the repeater by radar or spurious signals from other transmitters. This tone system, called “CTCSS” (Continuous Tone Coded Squelch System), is included in your **VX-150**, and is very easy to activate.

CTCSS setup involves two actions: setting the Tone Frequency and then setting of the Tone Mode. These actions are set up by using the [1(SQ TYP)] and [2(CODE)] keys, or Menu Items #25 and #26.

- ① Press the [F] key, then immediately press the [1(SQ TYP)] key. This provides a “Short-cut” to Menu #25 (“SQL TYP”).
- ② Rotate the **DIAL** so that “T” appears on the display; this activates the CTCSS Encoder, which allows repeater access.
- ③ You may notice an additional “DCS” icon appearing while you rotate the **DIAL** in this step. We’ll discuss the Digital Code Squelch system shortly.
- ④ Rotation of the **DIAL** in step ② above will occasionally cause “SQ” to appear adjacent to the “T” icon. When “T SQ” appears, this means that the Tone Squelch system is active, which mutes your **VX-150**’s receiver until it receives a call from another radio sending out a matching CTCSS tone. This can help keep your radio quiet until a specific call is received, which may be helpful while operating in congested areas.
- ⑤ When you have made your selection of the CTCSS tone mode, press the **PTT** key.
- ⑥ Press the [F] key, then immediately press the [2(CODE)] key. This provides a “Short-cut” to Menu #26 (“TN SET”).
- ⑦ This Menu selection allows setting of the CTCSS tone frequency to be used.
- ⑧ Rotate the **DIAL** until the display indicates the Tone Frequency you need to be using (ask the repeater owner/operator if you don’t know the tone frequency).
- ⑨ Press the [F] key to save the new settings and exit to normal operation.

CTCSS TONE FREQUENCY (Hz)							
67.0	69.3	71.9	74.4	77.0	79.7	82.5	85.4
88.5	91.5	94.8	97.4	100.0	103.5	107.2	110.9
114.8	118.8	123.0	127.3	131.8	136.5	141.3	146.2
151.4	156.7	162.2	167.9	173.8	179.9	186.2	192.8
203.5	210.7	218.1	225.7	233.6	241.8	250.3	-

Advanced Operation

DCS OPERATION

Another form of tone access control is Digital Code Squelch, or DCS. It is a newer, more advanced tone system which generally provides more immunity from false paging than does CTCSS. The DCS Encoder/Decoder is built into your **VX-150**, and operation is very similar to that just described for CTCSS. Your repeater system may be configured for DCS; if not, it is frequently quite useful in Simplex operation if your friend(s) use transceivers equipped with this advanced feature.

Just as in CTCSS operation, DCS requires that you set the Tone Mode to DCS and that you select a tone code.

- ① Press the **[F]** key, then immediately press the **[1(SQ TYP)]** key. This provides a “Short-cut” to Menu #25 (“SQL TYP”).
- ② Rotate the **DIAL** until “DCS” appears on the display; this activates the DCS Encoder/Decoder.
- ③ When you have made your selection of the DCS mode, press the **PTT** key.
- ④ Press the **[F]** key, then immediately press the **[2(CODE)]** key. This provides a “Short-cut” to Menu #27 (“DCS SET”).
- ⑤ Rotate the **DIAL** to select the desired DCS Code (a three-digit number). Ask the repeater owner/operator if you don’t know DCS Code; if you are working simplex, just set up the DCS Code to be the same as that used by your friend(s).
- ⑥ When you have made your selection, press the **[F]** key to save the new settings and exit to normal operation.

Remember that the DCS is an Encode/Decode system, so your receiver will remain muted until a matching DCS code is received on an incoming transmission. Switch the DCS off when you’re just tuning around the band!

DCS CODE																			
023	025	026	031	032	036	043	047	051	053	054	065	071	072	073	074	114	115	116	
122	125	131	132	134	143	145	152	155	156	162	165	172	174	205	212	223	225	226	
243	244	245	246	251	252	255	261	263	265	266	271	274	306	311	315	325	331	332	
343	346	351	356	364	365	371	411	412	413	423	431	432	445	446	452	454	455	462	
464	465	466	503	506	516	523	526	532	546	565	606	612	624	627	631	632	654	662	
664	703	712	723	731	732	734	743	754											

TONE SEARCH SCANNING

In operating situations where you don't know the CTCSS or DCS tone being used by another station or stations, you can command the radio to listen to the incoming signal and scan in search of the tone being used. Two things must be remembered in this regard:

- You must be sure that your repeater uses the same tone type (CTCSS vs. DCS).
- Some repeaters do not pass the CTCSS tone; you may have to listen to the station(s) transmitting on the repeater *uplink* (input) frequency in order to allow Tone Search Scanning to work.

To scan for the tone in use:

- ① Set the radio up for either CTCSS or DCS Decoder operation (see the previous discussion). In the case of CTCSS, “T SQ” will appear on the display; in the case of DCS, “DCS” will appear on the display.
- ② Press the [F] key, then immediately press the [2(CODE)] key to select the “TN SET” Menu item (when TONE SQL is selected) or “DCS SET” (during DCS operation).
- ③ Press the [F] key, then press and hold in the [▲] or [▼] key to start scanning for the incoming CTCSS or DCS tone/code.
- ④ When the radio detects the correct tone or code, it will halt on that tone/code, and audio will be allowed to pass. Press the [F] key to lock in that tone/code.
- ⑤ Press the [F] key, then press the PTT key to save the new settings and exit to normal operation.

If the Tone Scan feature does not detect a tone or code, it will continue to scan indefinitely. When this happens, it may be that the other station is not sending any tone. You can press the PTT switch to halt the scan at any time.

You also can press the MONI key during Tone Scanning to listen to the (muted) signal from the other station. When you release the MONI key, Tone Scanning will resume after about a second.

CTCSS/DCS BELL OPERATION

During CTCSS Decode or DCS operation, you may set the **VX-150** up such that a ringing “Bell” sound alerts you to the fact that a call is coming in. Here is the procedure for activating the Bell will ring in accordance with this programming.

- ① Set the transceiver up for CTCSS Decode (“TONE SQL”) or DCS operation, as described previously.
- ② Adjust the operating frequency to the desired channel.
- ③ Press the [F] key, then press the [0(SET)] key to activate the Set mode.
- ④ Rotate the **DIAL** to select Menu Item #18 (“BELL”).
- ⑤ Press the [F] key to enable adjustment of the Bell ringer.
- ⑥ Rotate the **DIAL** to set the desired number of rings of the Bell. The available choices are 1, 3, 5, or 8 rings, REPEAT (continuous ringing), or OFF.
- ⑦ Press the PTT key momentarily to save the new setting and exit to normal operation.

When a station calls you whose transceiver is sending a CTCSS tone or DCS code which matches that set into your Decoder, the Bell will ring in accordance to this programming.

Memory Operation

The **VX-150** provides a wide variety of memory system resources. These include:

- 199 “Standard” memory channels, numbered “1” through “199.”
 - A Home channel, allowing storage and quick recall of one prime frequency.
 - Five sets of band-edge memories also known as “Programming Memory Scan” channels, labeled “L1/U1” through “L5/U5”
-

MEMORY STORAGE

- ① Select the desired frequency, while operating in the VFO mode. Be sure to set up any desired CTCSS or DCS tones, as well as any desired repeater offset.
 - ② Press and hold the **[F]** key for one second.
 - ③ Within five seconds of releasing the **[F]** key, rotate the **DIAL** to select the desired memory channel number.
 - ④ Press the **[F]** key once more to store the frequency into memory.
 - ⑤ You still will be operating in the “VFO” mode, so you may now enter other frequencies, and store them into additional memory locations, by repeating the above process.
-

STORING INDEPENDENT TRANSMIT FREQUENCIES (“ODD SPLITS”)

All memories can store an independent transmit frequency, for operation on repeaters with non-standard shift. To do this:

- ① Store the receive frequency using the method already described under **MEMORY STORAGE** (it doesn’t matter if a repeater offset is active).
- ② Turn to the desired transmit frequency, then press and hold the **[F]** key for 1/2 second.
- ③ Within five seconds of releasing the **[F]** key, rotate the **DIAL** to select the same memory channel number as used in step ① above.
- ④ **Press and hold the PTT switch**, then press the **[F]** key once more momentarily (this does not key the transmitter).

Whenever you recall a memory which contains independently-stored transmit and receive frequencies, the “[-][+]” indication will appear in the display.

MEMORY RECALL

- ① While operating in the VFO mode, press the **[MR(SKIP)]** key. The “MR” indicator will show that you are now in the Memory Recall mode.
- ② Rotate the **DIAL** to select the desired channel.
- ③ To return to the VFO mode, press the **[VFO(PRI)]** key.

*An easy way to recall memories is to key in the memory channel number, then press **[MR(SKIP)]**.*

*For example, to recall memory channel #16, press **[1]-[6]-[MR(SKIP)]**.*

**Downloaded by
RadioAmateur.EU**

Memory Operation

MEMORY OFFSET TUNING

Once you have recalled a particular memory channel, you may easily tune off that channel, as though you were in the “VFO” mode.

- ① With the **VX-150** in the “MR” (Memory Recall) mode, select the desired memory channel.
- ② Now press the [**MR(SKIP)**] key momentarily. The “MR” indicator will be blinking.
- ③ Rotate the **DIAL**, as desired, to tune to a new frequency. The synthesizer steps selected for VFO operation on the current band will be the steps used during Memory Tuning.
- ④ If you wish to return to the original memory frequency, press the [**MR(SKIP)**] key momentarily. The “MR” indication will no longer be blinking.
- ⑤ If you wish to store a new frequency in the current or another memory. Just press and hold the [**F**] key for one second, select the new memory channel (if desired), and press [**F**] key again momentarily.

Any required CTCSS/DCS changes, or repeater offset modifications, must be done before storing the data into the new (or original) memory channel location.

HOME CHANNEL MEMORY

A special one-touch “HOME” channel is available, allowing quick recall of a favorite operating frequency. Memory storage is simple to accomplish:

- ① Change the setting of Menu Item #20 from “REV” to “HOME,” if it is not already set to that option (see page 35).
- ② Select the desired frequency, while operating in the VFO mode. Be sure to set up any desired CTCSS or DCS tones, as well as any desired repeater offset.
- ③ Press and hold the [**F**] key for 1/2 second.
- ④ While the memory channel number is blinking, just press the [**REV(HM)**] key. The frequency and other data (if any) will now be stored in the special HOME channel register.
- ⑤ To recall the HOME channel, press the [**REV(HM)**] key momentarily while operating in the VFO or MR mode.

LABELING MEMORIES

You may wish to append an alpha-numeric “Tag” (label) to a memory or memories, to aid in recollection of the channel’s use (such as a club name, etc.). This is easily accomplished using the Set mode.

- ① Recall the memory channel on which you wish to append a label.
- ② Press the [**F**] key, then press the [**0(SET)**] key, to enter the Menu mode.
- ③ Rotate the **DIAL** to select Menu #1 (“ALPHA”).
- ④ Press the [**F**] key to enable changing of this Menu item.
- ⑤ Press the [**F**] key, then press the [**F/W**] key again, to begin entry of the Label.
- ⑥ Rotate the **DIAL** to select the first digit of the desired label. When you have made your selection, press the [**▲**] key momentarily to move to the next character.

Memory Operation

- ⑦ Repeat the previous step to program the remaining letters, numbers, or symbols of the desired label. A total of seven characters may be used in the creation of a label.
- ⑧ When you have completed the creation of the label, press the **[F]** key, then press the **PTT** to save the label and exit to normal operation.

To activate Alphanumeric Tags:

- ① Press the **[F]** key, then press the **[0(SET)]** key, to enter the Set mode.
- ② Rotate the **DIAL** to select Menu #1 (“ALPHA”).
- ③ Press the **[F]** key to enable changing of this Menu item.
- ④ Rotate the **DIAL** to set the “ALPHA”.
- ⑤ When you have made your selection, press the **PTT** key to save the new setting and exit to normal operation.

MASKING MEMORIES

There may be situations where you want to “Mask” memories so they are not visible during memory selection or scanning. For example, several memories used only in a city you visit infrequently may be stored, then “Masked” until you visit that city, at which time you can “Unmask” them for normal use.

- ① Press the **[MR(SKIP)]** key, if needed, to enter the MR mode.
- ② Press and hold in the **[F]** key for 1/2 second, then rotate the **DIAL** to select the memory channel to be “Masked” from view.
- ③ Press the **[MR(SKIP)]** key. The display will revert to memory channel #1. If you rotate the **DIAL** to the location you just “Masked,” you will observe that it is now invisible.
- ④ To Unmask the hidden memory, repeat the above procedure: press and hold in the **[F]** key for 1/2 second, rotate the **DIAL** to select the masked memory’s number, then press **[MR(SKIP)]** to restore the memory channel’s data.

MEMORY ONLY MODE

This allows operation only on stored memories, which are displayed by name (if any) at the right, and the memory channel number to the left. No frequency is displayed, and only “CH.*nn*” will appear if you haven’t assigned an Alphanumeric name to a memory.

Repeater shift and tone setting indicators are displayed in the Memory Only mode, although they cannot be changed.

Here is the procedure for activating the Memory Only mode:

- ① Turn the radio off.
- ② Press and hold the **[PTT]** and **[LAMP]** key while turning the radio on.
- ③ Rotate the **DIAL** to select “MEM.ONLY”.
- ④ Press the **[F]** key momentarily to initialize the radio.
- ⑤ Repeat the previous step to return to normal operation.

The **VX-150** allows you to scan just the memory channels, the entire operating band, or a portion of that band. It will halt on signals encountered, so you can talk to the station(s) on that frequency, if you like.

Scanning operation is basically the same in each of the above modes. Before you begin, take a moment to select the way in which you would like the scanner to resume scanning after it halts on a signal.

Setting the Scan Resume Technique

Three options for the Scan-Resume mode are available:

5 SEC: In this mode, the scanner will halt on a signal it encounters, and will hold there for 5 seconds. If you do not take action to disable the scanner within that time period, the scanner will resume even if the stations are still active.

BUSY: In this mode, the scanner will halt on a signal it encounters. Two seconds after the carrier has dropped because the other station(s) ceased transmission, the scanner will resume.

HOLD: In this mode, the scanner will halt on a signal it encounters. It will not restart automatically; you must manually re-initiate scanning if you wish to resume.

To set the Scan-Resume mode

- ① Press the **[F]** key, then press the **[0(SET)]** key, to enter the Set mode.
- ② Rotate the **DIAL** to select Menu #7 (“RESUME”).
- ③ Press the **[F]** key to enable changing of this Menu item.
- ④ Rotate the **DIAL** to select the desired scan-resume mode.
- ⑤ When you have made your selection, press the **PTT** key to save the new setting and exit to normal operation.

The default condition for this Menu Item is “5 SEC”.

VFO SCANNING

This mode allows you to scan the entire current operating band.

- ① Select the VFO mode by pressing the **[VFO(PRI)]** key, if necessary.
- ② Press and hold in the **[▲]** or **[▼]** key for 1/2 second to start scanning.
- ③ If and when the scanner encounters a signal strong enough to open the squelch, the scanner will halt temporarily; the decimal point of the frequency display will blink during this “Pause” condition.
- ④ The scanner will then resume according to the Scan Resume selected in the previous section.
- ⑤ To cancel scanning, press the **PTT**, **[MR(SKIP)]**, or **[VFO(PRI)]** key.

*If you want to change direction of the scan while it is underway, rotate the **DIAL** one click in the opposite direction (in this case, one click counter-clockwise).*

Scanning

MEMORY SCANNING

Memory scanning is similarly easy to initiate:

- ① Set the radio to the Memory mode by pressing the **[MR(SKIP)]** key, if necessary.
- ② Press and hold in the **[▲] / [▼]** key for 1/2 second to initiate scanning.
- ③ As with VFO scanning, the scanner will halt on any signal encountered that is strong enough to open the squelch; it will then resume scanning according to the Scan-Resume mode set previously.
- ④ To cancel scanning, press the **PTT**, **[MR(SKIP)]**, or **[VFO(PRI)]** key.

HOW TO SKIP (OMIT) A CHANNEL DURING MEMORY SCAN OPERATION

When you have some very active channels stored in memories, you may wish to skip them when scanning, but still have them available for manual selection.

Such channels may be “Skipped” during scanning, if you like:

- ① Set the radio to the Memory Mode by pressing the **[MR(SKIP)]** key, if necessary.
- ② Rotate the **DIAL** to select the Memory Channel to be skipped during scanning.
- ③ Press the **[F]** key *momentarily* (not for 1/2 second), then press the **[MR(SKIP)]** key (momentarily). A small “SKIP” will appear to the LCD, indicating it is to be ignored during scanning.

To re-institute the channel into the scanning loop, repeat the above three steps (the “Skipped” channel will, of course, still be accessible via manual channel selection methods using the **DIAL** in the MR mode).

PROGRAMMABLE (BAND LIMIT) MEMORY SCAN (PMS)

This feature allows you to set sub-band limits for either scanning or manual VFO operation. For example, you might wish to set up a limit (in North America) of 144.300 MHz to 148.000 MHz so as to prevent encroachment into the SSB/CW “Weak Signal” portion of the band below 144.300 MHz. Here’s how to do this:

- ① Set the radio to the VFO mode by pressing the **[VFO(PRI)]** key, if necessary.
- ② Using the techniques learned earlier, store (per the above example) 144.300 MHz into Memory Channel #L1 (the “L” designates the Lower sub-band limit).
- ③ Likewise, store 148.000 MHz into Memory Channel #U1 (the “U” designates the Upper sub-band limit).
- ④ Switch to the Memory mode by pressing the **[MR(SKIP)]** key once, then rotate the **DIAL** to select Memory Channel # L1.
- ⑤ Press the **[MR(SKIP)]** key; the “MR” label will be blinking in the left-hand frequency of the display.
- ⑥ You may now rotate the **DIAL**, or begin scanning by pressing the **[▲]** or **[▼]** key for 1/2 second. The transceiver will behave as though it is in the standard VFO mode, but operation will be restricted to the range between Memory Channels L1 and U1.

Note: Five pairs of Band Limit memories, labeled L1/U1 through L5/U5 are available.

AUTOMATIC LAMP ILLUMINATION ON SCAN STOP

The **VX-150** will automatically illuminate the LCD Lamp whenever the scanner stops on a signal (the default condition for this feature is “ON”).

The procedure for disabling the Scan Lamp is:

- ① Press the **[F]** key, then press the **[0(SET)]** key, to enter the Set mode.
- ② Rotate the **DIAL** to select Menu #8 (“SCN LMP”).
- ③ Press the **[F]** key to enable changing of this Menu item.
- ④ Rotate the **DIAL** to set this Menu item to OFF.
- ⑤ When you have made your selection, press the **PTT** key to save the new setting and exit to normal operation.

BAND EDGE BEEPER

The **VX-150** will automatically “beep” when a band edge is encountered during scanning (either in standard VFO scanning or during PMS operation). You may disable this feature, if it is annoying, without disabling the keypad beeper (the default condition for this feature is “ON”).

The procedure for disabling the Band-Edge Beeper is:

- ① Press the **[F]** key, then press the **[0(SET)]** key, to enter the Set mode.
- ② Rotate the **DIAL** to select Menu #17 (“EDGE BP”).
- ③ Press the **[F]** key to enable changing of this Menu item.
- ④ Rotate the **DIAL** to set this Menu item to OFF.
- ⑤ When you have made your selection, press the **PTT** key to save the new setting and exit to normal operation.

SMART SEARCH OPERATION

The Smart Search feature allows you to load frequencies automatically according to where activity is encountered by your radio. When Smart Search is engaged, the transceiver will search above and below your current frequency, storing active frequencies as it goes (without stopping on them even momentarily); these frequencies are stored into a special Smart Search memory bank, consisting of 31 memories (15 above the current frequency, 15 below the current frequency, plus the current frequency itself).

Two basic operating modes for Smart Search are available:

SINGLE: In this mode, the transceiver will sweep the current band once in each direction starting on the current frequency. All channels where activity is present will be loaded into the Smart Search memories; whether or not all 31 memories are filled, the search will stop after one sweep in each direction.

CONTINUE: In this mode, the transceiver will make one pass in each direction as with One-Shot searching; if all 31 channels are not filled after the first sweep, however, the radio will continue sweeping until they are all filled.

Scanning

Setting the Smart Search Mode

- ① Press the **[F]** key, then press the **[0(SET)]** key, to enter the Set mode.
- ② Rotate the **DIAL** to select Menu #31 (“SMT MOD”).
- ③ Press the **[F]** key to enable changing of this Menu item.
- ④ Rotate the **DIAL** to select the desired Smart Search mode (see above).
- ⑤ When you have made your selection, press the **PTT** key to save the new setting and exit to normal operation.

Storing Smart Search Memories

- ① Set the radio to the VFO mode.
- ② Press the **[F]** key, then press the **[8(P2)]** key.*
- ③ Press the **[▲]** or **[▼]** key to begin the Smart Search scanning.
- ④ As active channels are detected, you will observe the number of “loaded” channels increasing in the regular memory channel window.
- ⑤ Depending on the mode you set for Smart Search operation (SINGLE or CONTINUE), the Smart Search scan will eventually terminate, and the LCD will revert to Smart Search Memory Channel 0.
- ⑥ To recall Smart Search memories, rotate the **DIAL** to choose from among the Smart Search memories.
- ⑦ To return to normal operation, press the **[VFO(PRI)]** key.

* The “default” function of the **[8(P2)]** key is “Smart Search”.

If you are changed the **[8(P2)]** key assignment to another function described previously, Storing Smart Search Memories procedure is following:

- ① Press the **[F]** key, then press the **[0(SET)]** key to enter the Set mode.
- ② Rotate the **DIAL** to select Menu Item #30 (“S SRCH”).
- ③ Press the **[F]** key, then press the **[▲]** or **[▼]** key to begin the Smart Search scanning.

PRIORITY CHANNEL SCANNING (DUAL WATCH)

The **VX-150** scanning features include a two-channel scanning capability which allows you to operate on a VFO or Memory channel, while periodically checking a user-selectable Priority Channel for activity.

Here is the procedure for activating Priority Channel Dual Watch operation:

VFO (or HOME) - Memory

- ① Recall the memory channel you wish to be the “Priority” Channel.
- ② Set the radio to the VFO mode or HOME channel by pressing the **[VFO(PRI)]** or **[REV(HM)]** key.
- ③ Press the **[F]** key momentarily (not for 1/2 second), then press the **[VFO(PRI)]** key (momentarily). A small “**PRI**” notation will appear on the LCD.

Memory-Memory mode

- ① Store a frequency that you want to use as the Dual Watch “Priority” channel into memory “1.”
- ② Set the radio to the Memory mode by pressing the [**MR(SKIP)**] key.
- ③ Rotate the **DIAL** to select the channel on which you wish to operate while periodically checking for activity on channel “1” during Dual Watch operation.
- ④ Press the [**F**] key momentarily (not for 1/2 second), then press the [**VFO(PRI)**] key (momentarily). A small “**PRI**” notation will appear on the LCD.

VFO-VFO mode

- ① Press the [**VFO(PRI)**] key to switch to the VFO mode, if needed.
- ② Press the [**F**] key, then *press and hold* in the [**VFO(PRI)**] key.

The **VX-150** will now periodically change from the VFO-A frequency to the VFO-B frequency, checking for activity on VFO-B for 0.2 second.

DTMF Operation

The **VX-150**'s 16-button keypad allows easy DTMF dialing for Autopatch or repeater control purposes. Besides numerical digits [0] through [9], the keypad includes the [*] and [#] digits, plus the [A], [B], [C], and [D] tones often used for repeater control.

MANUAL DTMF TONE GENERATION

You can generate DTMF tones during transmission manually.

- ① Press the **PTT** switch to begin transmission.
 - ② While transmitting, press the desired numbers on the keypad.
 - ③ When you have sent all the digits desired, release the **PTT** key.
-

DTMF AUTODIALER

Nine DTMF Autodial memories are provided, allowing you to store telephone numbers for autopatch use. You can also store short autopatch access code streams so as to avoid having to send them manually.

Here is the DTMF Autodial storage procedure:

- ① Press the [F] key, then press the [0(SET)] key to enter the Set mode.
- ② Rotate the **DIAL** to select Menu Item #28 ("DTMF").
- ③ Press the [F] key to enable adjustment of this Menu item.
- ④ Rotate the **DIAL** to select the DTMF Memory register ("d1" through "d9") into which you wish to store this DTMF string.
- ⑤ Press the [F] key, then press the [F] key again to begin DTMF Memory entry into the selected register.
- ⑥ Rotate the **DIAL** to select the first digit of the desired label. When you have made your selection, press the [▲] key momentarily to move to the next digit.
- ⑦ Repeat the previous step to program the remaining numbers of the desired number. A total of 16 digits may be used in the creation of a label.
- ⑧ Press the **PTT** switch to save the setting. To store other numbers, repeat this process, using a different DTMF memory register.

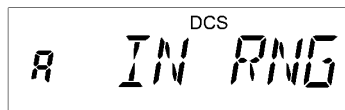
To send the telephone number:

- ① Press [F], then the [9(DTMF)] key to activate the DTMF Autodialer function. The "DTMF" icon appears on the display.
- ② Press the **PTT** switch to begin transmission.
- ③ Press the numerical key ([1] through [9]) corresponding to the DTMF memory string you wish to send. Once the string begins, you may release the **PTT** key, as the transmitter will be held "on the air" until the DTMF string is completed.

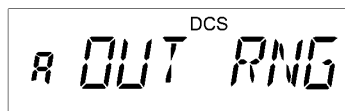
ARTS (Automatic Range Transponder System) Operation

The ARTS feature uses DCS signaling to inform both parties when you and another ARTS-equipped station are within communications range. This may be particularly useful during Search-and Rescue situations, where it is important to stay in contact with other members of your group.

If the other radio is in range, the beeper will sound (if enabled) and the display will show “IN RNG” as opposed to the out of range display “OUT RNG” in which ARTS operation begins.



If you move out of range for more than one minute (four pollings), your radio will sense that no signal has been received, three beeps will sound, and the display will revert to “OUT RNG.” If you move back into range, your radio will again beep, and the display will change back to the “IN RNG” indication.



You must terminate ARTS in order to resume normal operation. This is a safety feature designed to prevent accidental loss of contact due to channel change, etc.

Here is how to activate ARTS:

BASIC ARTS SETUP AND OPERATION

- ① Set your radio and the other radio(s) to the same DCS code number, per the discussion on page 16.
- ② Press [**F**], then press the [**7(P1)**] key* to activate the ARTS operation.
- ③ Press the [**F**] key. You will observe the “OUT RNG” display on the LCD. ARTS operation has now commenced.
- ④ Every 15 seconds, your radio will transmit a “polling” call to the other station. When that station responds with its own ARTS polling signal, the display will change to “IN RNG” to confirm that the other station “polling” code was received in response to yours.
- ⑤ Press the [**F**] key again to exit ARTS operation and resume normal functioning of the transceiver.

*The “default” function of the [**7(P1)**] is “ARTS.”

If you are changed the [**7(P1)**] key assignment to another function described previously, ARTS setup and operation procedure is following:

- ① Press the [**F**] key, then press the [**0(SET)**] key to enter the Set mode.
- ② Rotate the **DIAL** to select Menu Item #13 (“ARTS”).
- ③ Press the [**F**] key twice to active the ARTS operation.

ARTS (Automatic Range Transponder System) Operation

ARTS POLLING TIME OPTIONS

The ARTS feature may be programmed to poll every 15 seconds (default value) or 25 seconds. The default value provides maximum battery conservation, because the polling signal is sent out less frequently. To change the polling interval:

- ① Press the **[F]** key, then press the **[0(SET)]** key, to enter the Set mode.
 - ② Rotate the **DIAL** to select Menu #15 (“AR ITVL”).
 - ③ Press the **[F]** key to enable changing of this Menu item.
 - ④ Rotate the **DIAL** to select the desired polling interval (15 or 25 seconds).
 - ⑤ When you have made your selection, press the **PTT** key to save the new setting and exit to normal operation.
-

ARTS ALERT BEEP OPTIONS

The ARTS feature allows two kinds of alert beeps (with the additional option of turning them off), so as to alert you to the current status of ARTS operation. Depending on your location and the potential annoyance associated with frequent beeps, you may choose the Beep mode which best suits your needs. The choices are:

IN RANGE: The beeps are issued only when the radio first confirms that you are within range, but does not re-confirm with beeps thereafter.

ALWAYS: Every time a polling transmission is received from the other station, the alert beeps will be heard.

ARB OFF: No alert beeps will be heard; you must look at the display to confirm current ARTS status.

To set the ARTS Beep mode, use the following procedure:

- ① Press the **[F]** key, then press the **[0(SET)]** key, to enter the Set mode.
 - ② Rotate the **DIAL** to select Menu #14 (“ARTS BP”).
 - ③ Press the **[F]** key to enable changing of this Menu item.
 - ④ Rotate the **DIAL** to select the desired ARTS Beep mode (see above).
 - ⑤ When you have made your selection, press the **PTT** key to save the new setting and exit to normal operation.
-

CW IDENTIFIER SETUP

The ARTS feature includes a CW identifier. Every ten minutes during ARTS operation, the radio can be instructed to send “**DE (your callsign) K**” if this feature is enabled. The callsign field may contain up to 16 characters.

Here’s how to program the CW Identifier:

- ① Press the **[F]** key, then press the **[0(SET)]** key, to enter the Set mode.
 - ② Rotate the **DIAL** to select Menu #29 (“CW ID”).
 - ③ Press the **[F]** key to enable changing of this Menu item.
-

ARTS (Automatic Range Transponder System) Operation

- ④ Press the **[F]** key, then press the **[F/W]** key again, to begin entry of the letters and numbers in your callsign.
- ⑤ Rotate the **DIAL** to select the first letter or number in your callsign. When the correct character has been selected, press the **[▲]** key to move on to the next character.
- ⑥ Repeat step ⑤ as many times as necessary to complete your callsign. Note that the “slant bar” (– •• – •) is among the available characters, should you be a “portable” station.
- ⑦ When you have entered your entire callsign, press the **[F/W]** key.
- ⑧ Press the **PTT** key to save the settings and exit to normal operation.

Note that the “DE” (– •• – •) preceding your callsign is already programmed; you only need to program your callsign, and the “DE” will be appended at the time of transmission.

To activate the CW identifier:

- ① Press the **[F]** key, then press the **[0(SET)]** key, to enter the Set mode.
- ② Rotate the **DIAL** to select Menu #29 (“CW ID”).
- ③ Press the **[F]** key to enable changing of this Menu item.
- ④ Rotate the **DIAL** to set the CW ID function ON.
- ⑤ When you have made your selection, press the **PTT** key to save the new setting and exit to normal operation.

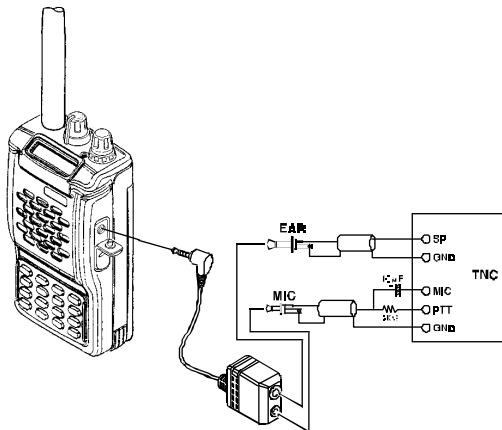
**Downloaded by
RadioAmateur.EU**

Interface of Packet TNCs & Reset

The **VX-150** may be used for Packet operation, using the optional **CT-44** microphone adapter (available from your Yaesu dealer) for easy interconnection to commonly-available connectors wired to your TNC. You may also build your own cable using a four-conductor miniature phone plug, per the diagram below.

The audio level from the receiver to the TNC may be adjusted by using the **VOL** knob, as with voice operation. The input level to the **VX-150** from the TNC should be adjusted at the TNC side; the optimum input voltage is approximately 5 mV at 2 k-Ohms.

Be sure to turn the transceiver and TNC off before connecting the cables, so as to prevent voltage spikes from possibly damaging your transceiver. Also, be certain to turn off the Receiver Battery Saver, if activated (see page 10).



MICROPROCESSOR RESETTING

In the event that erratic, unpredictable transceiver operation is encountered, it is possible that the microprocessor has sustained a static burst or other condition that has caused corruption of some of its data. If this should happen, resetting of the microprocessor should clear up the problem. Here is the procedure for resetting the microprocessor (this will restore all factory defaults, and will erase all memories):

- ① Turn the radio off.
- ② Press and hold the **PTT** and **LAMP** key while turning the radio on.
- ③ Rotate the **DIAL** to select “ALL.RST” on the LCD.
- ④ Press the [**F**] key momentarily to initialize the radio.

SET MODE RESETTING

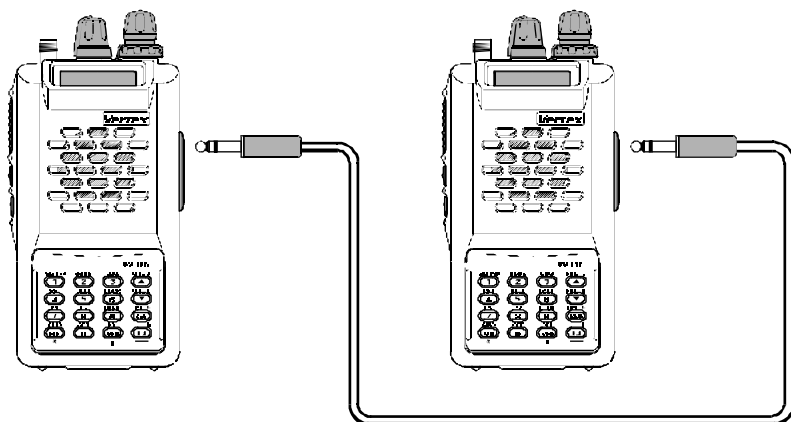
This “Reset” procedure restores the Menu (“Set mode”) settings to their factory defaults, without affecting your regular memories.

- ① Turn the radio off.
- ② Press and hold the **PTT** and **LAMP** key while turning the radio on.
- ③ Rotate the **DIAL** to select “SET.RST” on the LCD.
- ④ Press the [**F**] key momentarily to initialize the Set mode.

Cloning

The **VX-150** includes a convenient “Clone” feature, which allows the memory and configuration data from one transceiver to be transferred to another **VX-150**. This can be particularly useful when configuring a number of transceivers for a public service operation. Here is the procedure for Cloning one radio’s data to another:

- ① Turn both radios off.
- ② Connect the optional **CT-27** cloning cable between the **MIC/SP** jacks of the two radios.
- ③ Press and hold the **PTT** and **LAMP** key while turning the radio on.
- ④ Rotate the **DIAL** to select “CLONE.”
- ⑤ Press the [**F**] key, to enter the CLONE mode. “CLONE” will appear on the displays of both radios when the Clone mode is successfully activated in this step.
- ⑥ On the Destination radio, press the **MONI** key (“SAVING” will appear on the LCD).
- ⑦ Press the **PTT** key on the Source radio; “SENDING” will appear on the Source radio, and the data is transferred.
- ⑧ If there is a problem during the cloning process, “C-ERROR” will be displayed. Check your cable connections and battery voltage, and try again.
- ⑨ If the data transfer is successful, the Destination radio will return to normal operation; Turn both radios off and disconnect the **CT-27**. You can then turn the radios back on, and begin normal operation.



Optional Cloning Cable "CT-27"

Set Mode

The **VX-150** Set (Menu) mode is easy to activate and set. Use the following procedure:

- ① Press the **[F]** key, then press the **[0(SET)]** key, to activate the Set mode.
- ② Turn the **DIAL** to select the Menu item number to be adjusted.
- ③ Press the **[F]** key momentarily, then rotate the **DIAL** to adjust or select the parameter to be changed on the Menu item selected in above step.
- ④ After completing your selection and adjustment, press the **PTT** switch momentarily to exit the Set mode and exit to normal operation.

Set Mode Summary

Item #	Menu Item	Function	Available Values	Default
1	ALPHA	Store Alpha-Numeric "Tags"	–	–
2	ARS	Enable/disable Automatic Repeater Shift	ON/OFF	ON
3	RPT	Set the Repeater Shift Direction	-RPT/SIMP/+RPT	SIMP
4	SHIFT	Set the magnitude of the Repeater Shift	0 - 99.9MHz	0.6MHz
5	V-SPLIT	Enable/disable "VFO Split" Operation	ON/OFF	OFF
6	STEP	Setting of the synthesizer steps	5/10/12.5/15/20/25/50 kHz	*
7	RESUME	Select the Scan Resume mode	5SEC/BUSY/HOLD	5SEC
8	SCN LMP	Enable/disable the Scan lamp	ON/OFF	ON
9	RX SAVE	Select the Rx-mode Battery Saver interval	OFF/200ms/300ms/500ms/1s/2s	200ms
10	TX SAVE	Enable/disable the Transmit Battery Saver	ON/OFF	OFF
11	APO	Set the Automatic Power-Off time	OFF/30min/1h/3h/5h/8h	OFF
12	TRX LED	Enable/disable the BUSY/TX LED	ON/OFF	ON
13	ARTS	Activate ARTS operation	–	–
14	ARTS BP	Select the Beep option during ARTS operation	OFF/INRANGE/ALWAYS	INRANGE
15	AR ITVL	Select the Polling Interval during ARTS operation	15 SEC/25 SEC	15 SEC
16	KEY BP	Enable/disable the Keypad beeper	ON/OFF	ON
17	EDGE BP	Enable/disable the Band-edge beeper	ON/OFF	ON
18	BELL	Select the CTCSS Bell ringer repetitions	OFF/1/3/5/8/REPEAT	OFF
19	MON/TCL	Select the MON key function	MON/T-CALL	*
20	REV/HM	Select the function of [REV(HC)] key	REV/HOME	REV
21	LMP MOD	Select the LCD/Keypad Lamp mode	KEY/5SEC/TOGGLE	KEY
22	TOT	Set the TOT time	OFF/1min/2.5min/5min/10min	OFF
23	BCLO	Enable/disable the Busy Channel Lock-out feature	ON/OFF	OFF
24	CLK SFT	Shifting of the CPU clock frequency	ON/OFF	OFF
25	SQL TYP	Select the Tone Encoder and/or Decoder mode	OFF/TONE/TONESQL/DCS	OFF
26	TN SET	Setting of the CTCSS Tone Frequency	39 Standard CTCSS tones	100 Hz
27	DCS SET	Setting of the DCS code	104 standard DCS codes	023
28	DTMF	Programming the DTMF Autodialer	–	–
29	CW ID	Programming/activation of the CW Ider	–	–
30	S SRCH	Activate the Smart Search	–	–
31	SMT MOD	Select the Smart Search Sweep mode	SINGLE/CONTINUE	SINGLE
32	LK MODE	Select the Control Locking lockout combination	KEY/DIAL/KEY+DIAL/PTT/ KEY+PTT/DIAL+PTT/ALL	KEY
33	NAR/WID	Select the Operating band width	NARROW/WIDE	WIDE
34	DTMF SP	Select the DTMF Autodialer sending speed	50 ms/100 ms	50 ms

Item #	Menu Item	Function	Available Values	Default
35	DT DLY	Select the DTMF Autodialer delay time	450 ms/750 ms	450 ms
36	ANI	Program and activate the ANI Identifier	–	–
37	BATT	Indication of the Supply Voltage	–	–
38	SKIP	Enable/Disable skipping of a memory during scanning	ON/OFF	OFF

*Depends on the transceiver version

Set Mode Details

Set Item 1 [ALPHA]

Function: Store Alpha-Numeric “Tags” for the Memory channels.

See page 19 for details.

Set Item 2 [ARS]

Function: Enable/disable the Automatic Repeater Shift function.

Available Values: ON/OFF

Default: ON

Set Item 3 [RPT]

Function: Set the Repeater Shift Direction

Available Values: -RPT/SIMP/+RPT

Default: SIMP

Set Item 4 [SHIFT]

Function: Set the magnitude of the Repeater Shift.

Available Values: 0.00 ~ 99.9 MHz

Default: Depends on the transceiver version, as well as the setting of Menu #2 (ARS).

Set Item 5 [V-SPLIT]

Function: Enable/disable “VFO Split” Operation

Available Values: ON/OFF

Default: OFF

Set Item 6 [STEP]

Function: Setting of the synthesizer steps.

Available Values: 5/10/12.5/15/20/25/50 kHz

Default: Depends on the transceiver version.

Set Item 7 [RESUME]

Function: Select the Scan Resume mode.

Available Values: 5 SEC/BUSY/HOLD

Default: 5 SEC

Set Mode

Set Item 8 [SCN LMP]

Function: Enable/disable the Scan lamp while paused.

Available Values: ON/OFF

Default: ON

Set Item 9 [RX SAVE]

Function: Select the Receive-mode Battery Saver interval (“Sleep” ratio).

Available Values: OFF/200ms(1:1)/300ms(1:1.5)/500ms(1:2.5)/1s(1:5)/2s(1:10)

Default: 200ms(1:1)

Set Item 10 [TX SAVE]

Function: Enable/disable the Transmit Battery Saver.

Available Values: ON/OFF

Default: OFF

Set Item 11 [APO]

Function: Set the Automatic Power-Off time.

Available Values: OFF/30 min/1 hour/3 hour/5 hour/8 hour

Default: OFF

Set Item 12 [TRX LED]

Function: Enable/ disable the **BUSY/TX** LED while the Squelch is open or during transmission.

Available Values: ON/OFF

Default: ON (Lamp active)

Set Item 13 [ARTS]

Function: Activate the ARTS feature.

See page 27 for details.

Set Item 14 [ARTS BP]

Function: Select the Beep option during ARTS operation.

Available Values: OFF/INRANGE/ALWAYS

Default: INRANGE

Set Item 15 [AR ITVL]

Function: Select the Polling Interval during ARTS operation.

Available Values: 15 SEC/25 SEC

Default: 15 SEC

Set Item 16 [KEY BP]

Function: Enable/disable the Keypad beeper.

Available Values: ON/OFF

Default: ON

Downloaded by
RadioAmateur.EU

Set Item 17 [EDGE BP]

Function: Enable/disable the Band-edge beeper while scanning.

Available Values: ON/OFF

Default: ON

Set Item 18 [BELL]

Function: Select the number of CTCSS Bell ringer repetitions.

Available Values: OFF/1/3/5/8/REPEAT

Default: OFF

Set Item 19 [MON/TCL]

Function: Select the **MONI** key (just below the **PTT** switch) function.

Available Values: MONI/T.CALL

Default: Depends on the transceiver version.

MONI: Pressing the **MONI** key causes the noise/tone Squelch to be over-ridden, allowing you to listen for weak (or non-encoded) signals.

T.CALL: Pressing the **MONI** key activates a 1750-Hz burst tone, used for repeater access in many countries.

Set Item 20 [REV/HM]

Function: Select the function of the [**REV(HM)**] key.

Available Values: REV/HOME

Default: REV

Set Item 21 [LMP MOD]

Function: Select the LCD/Keypad Lamp mode.

Available Values: KEY/5SEC/TOGGLE

Default: KEY

Set Item 22 [TOT]

Function: Set the TOT (Time-Out Timer) time.

Available Values: OFF/1 min/2.5 min/5 min/10 min

Default: OFF

Set Item 23 [BCLO]

Function: Enable/disable the Busy Channel Lock-Out feature.

Available Values: ON/OFF

Default: OFF

Set Mode

Set Item 24 [CLK SFT]

Function: Shifting of CPU clock frequency.

Available Values: ON/OFF

Default: OFF

This function is only used to move a spurious response “birdie” should it fall on a desired frequency.

Set Item 25 [SQL TYP]

Function: Select the Tone Encoder and/or Decoder mode.

Available Values: OFF/T/TSQ/DCS

Default: OFF

T: CTCSS Encoder

TSQ: CTCSS Encoder/Decoder

DCS: Digital Coded Squelch Encoder/Decoder

Set Item 26 [TN SET]

Function: Setting of the CTCSS Tone Frequency

Available Values: 39 standard CTCSS tones

Default: 100 Hz

In this mode, press the **[F]** key, then press the **PTT** key, to save the new setting and exit to normal operation.

Set Item 27 [DCS SET]

Function: Setting of the DCS code.

Available Values: 104 standard DCS codes.

Default: 023

In this mode, press the **[F]** key, then press the **PTT** key, to save the new setting and exit to normal operation.

Set Item 28 [DTMF]

Function: Programming the DTMF Autodialer.

See page 26 for details.

Set Item 29 [CW ID]

Function: Program and activate the CW Identifier (used during ARTS operation).

See page 28 for details.

Set Item 30 [S SRCH]

Function: Activate the Smart Search feature.

See page 23 for details.

Set Item 31 [SMT MOD]

Function: Select the Smart Search sweep mode.

Available Values: SINGLE/CONT

Default: SINGLE

SINGLE: The transceiver sweeps the current band once in each direction starting on the current frequency. All channels where activity is present (up to 15 in each direction) are loaded into the Smart Search memories. Whether or not all 31 memories are filled, the search stops after one sweep in each direction.

CONT: The transceiver makes a sweep in each direction as with the “SINGLE” mode, but if all 31 channels are not filled after the first sweep, the radio continues sweeping until they are all filled.

Set Item 32 [LK MODE]

Function: Select the Control Locking lockout combination.

Available Values: KEY/DIAL/K+D(KEY+DIAL)/PTT/K+P(KEY+PTT)/
D+P(DIAL+PTT)/ALL

Default: KEY

Set Item 33 [NAR/WID]

Function: Select the Operating band width.

Available Values: NARROW/WIDE

Default: WIDE

Set Item 34 [DTMF SP]

Function: Select the DTMF Autodialer sending speed.

Available Values: 50 ms/100 ms

Default: 50 ms (High speed)

Set Item 35 [DT DLY]

Function: Select the DTMF Autodialer delay time.

Available Values: 450 ms/750 ms

Default: 450 ms

Set Item 36 [ANI]

Function: Program and activate the ANI Identifier

See page 14 for details.

Set Item 37 [BATT]

Function: Indication of the Supply Voltage.

In this mode, press the [F] key, then press the **PTT** key, to exit to normal operation.

Set Mode

Set Item 38 [SKIP]

Function: Enable/disable skipping of a memory during scanning.

Available Values: ON/OFF

Default: OFF (Scanner stops when the channel is busy)

**Downloaded by
RadioAmateur.EU**

Notes

Specifications

GENERAL

Frequency coverage (MHz):	144 to 147.995 (version A) 144 to 145.995 (version B)
Channel steps:	5, 10, 12.5, 15, 20, 25 & 50 kHz
Standard repeater shift:	600 kHz
Emission type:	G3E
Supply voltage:	6.0 to 16.0 VDC
Current consumption:	Receive: 130 mA; Transmit (HIGH:5W) : 1.3 A; (MID:2 W) : 800 mA; (LOW:0.5 W) : 500 mA; Auto Power Off : 8 mA
Antenna (BNC jack):	YHA-62 rubber flex antenna
Case size (WHD):	58 (W) x 108.5 (H) x 26.5 (D) mm (w/o knob & antenna)
Weight (approx.):	325g w/FNB-64 & antenna

**Downloaded by
RadioAmateur.EU**

RECEIVER

Circuit type:	Double-conversion superheterodyne
Sensitivity (for 12dB SINAD):	better than 0.16 μ V
Adjacent channel selectivity:	better than 70 dB
Intermodulation:	better than 70 dB
Audio output:	0.4 W @8 ohms for 10% THD (@7.2V)

TRANSMITTER

Power output:	5 W (@ 7.2 V & 13.8 V EXT DC IN)
Frequency stability:	better than ± 5 ppm
Modulation system:	variable reactance
Maximum deviation:	± 5 kHz
Spurious emissions:	better than 60 dB below carrier
Audio distortion (@ 1 kHz):	less than 5 %, w/3 kHz deviation
Microphone type:	2-kilohm condenser
Burst tone:	1750 Hz (except version A)

Specifications may be subject to change without notice or obligation.

- 1. Changes or modifications to this device not expressly approved by Yaesu Musen could void the user's authorization to operate this device.
- 2. This device complies with part 15 of the FCC Rules. Operation is subject to the following two conditions; (1) this device may not cause harmful interference, and (2) this device must accept any interference including interference that may cause undesired operation.
- 3. The scanning receiver in this equipment is incapable of tuning, or readily being altered, by the User to operate within the frequency bands allocated to the Domestic public Cellular Telecommunications Service in Part 22.

This device complies with RSS-210 of Industry Canada. Operation is subject to the following two conditions; (1) this device may not cause interference, and (2) this device must accept any interference, including interference that may cause undesirable operation of the device.



Copyright 1999
Yaesu Musen Co., Ltd.
All rights reserved.

Printed in Japan

0001C-AS

No portion of this manual
may be reproduced
without the permission of
Yaesu Musen Co., Ltd.

