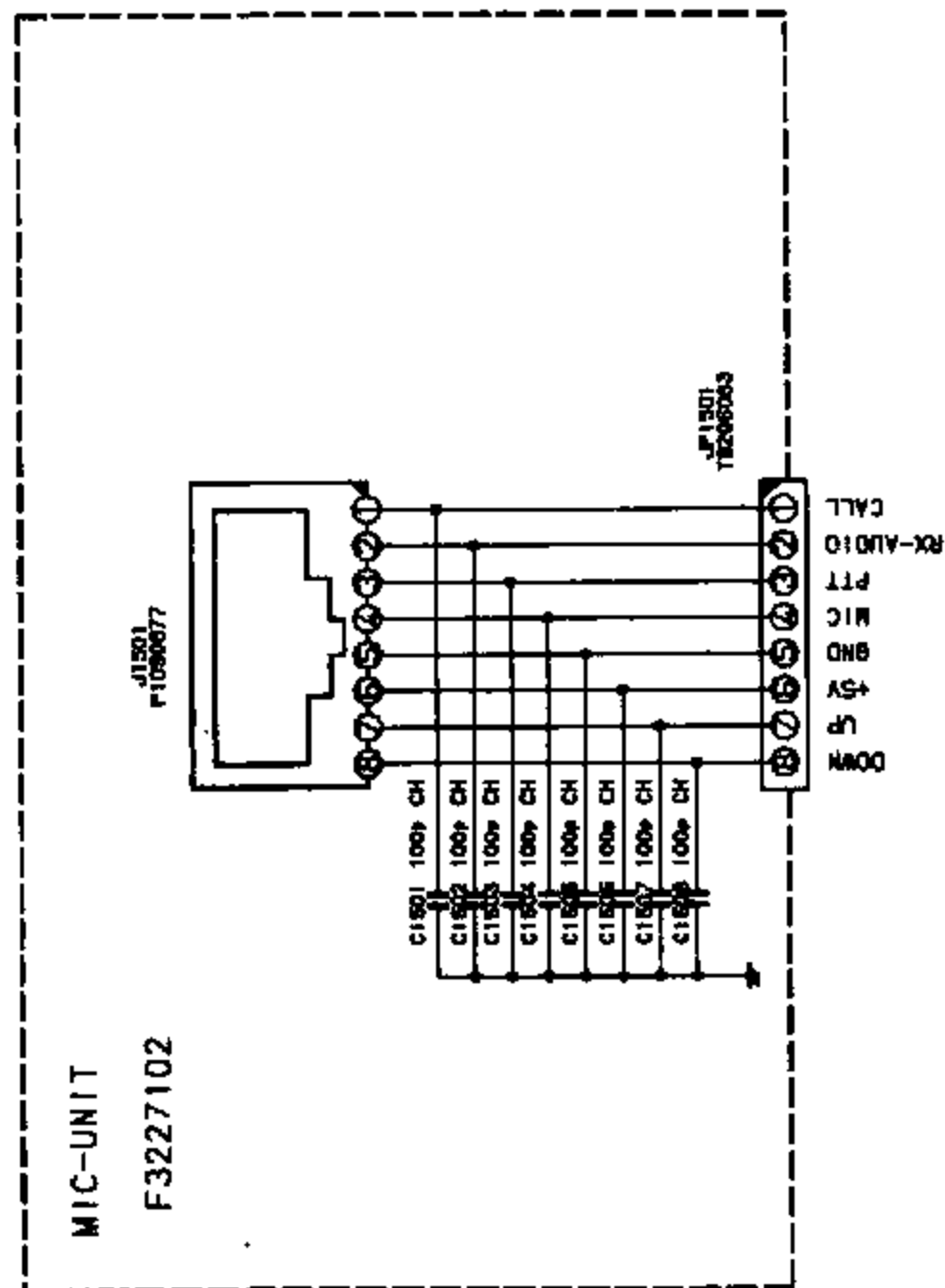
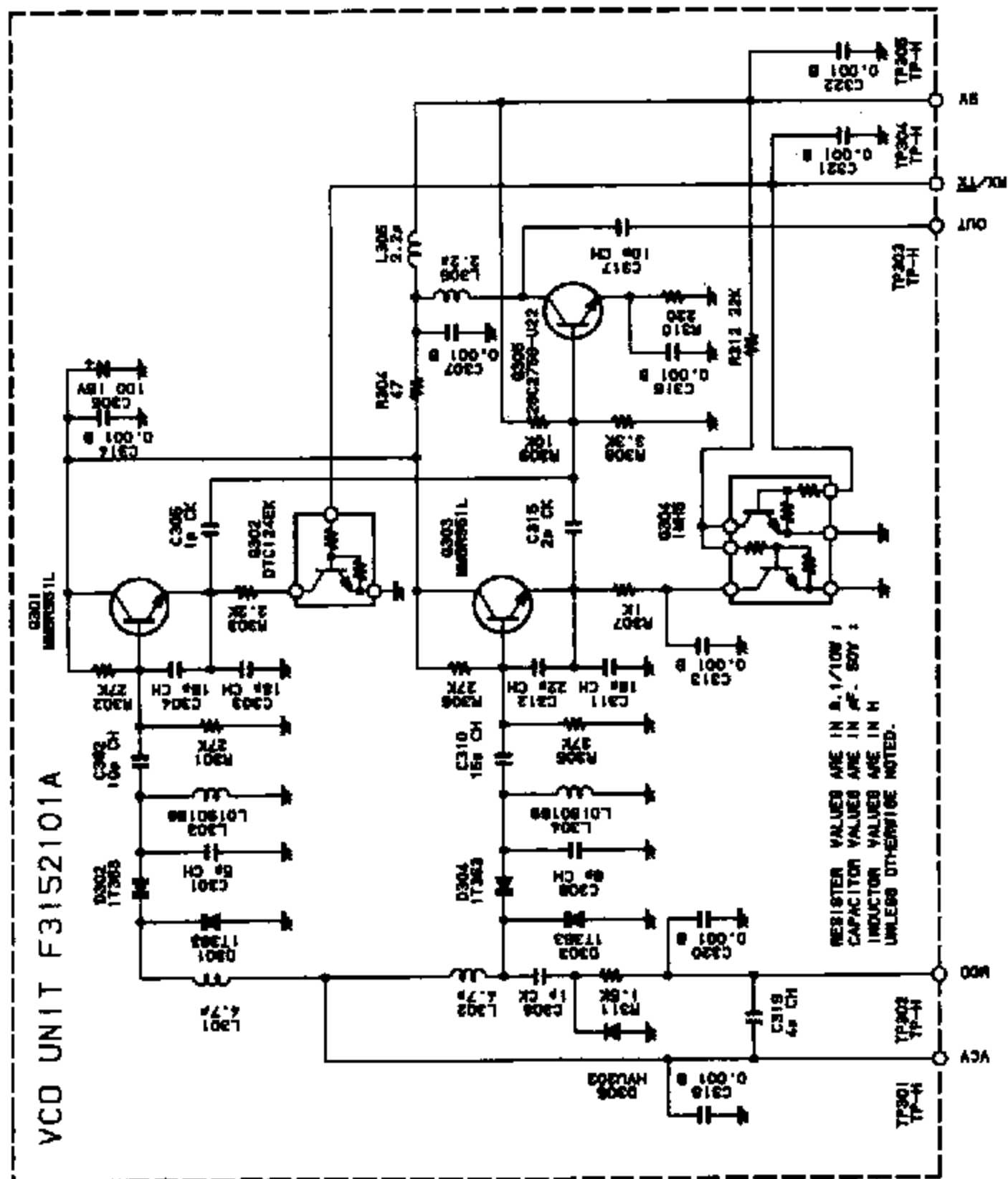
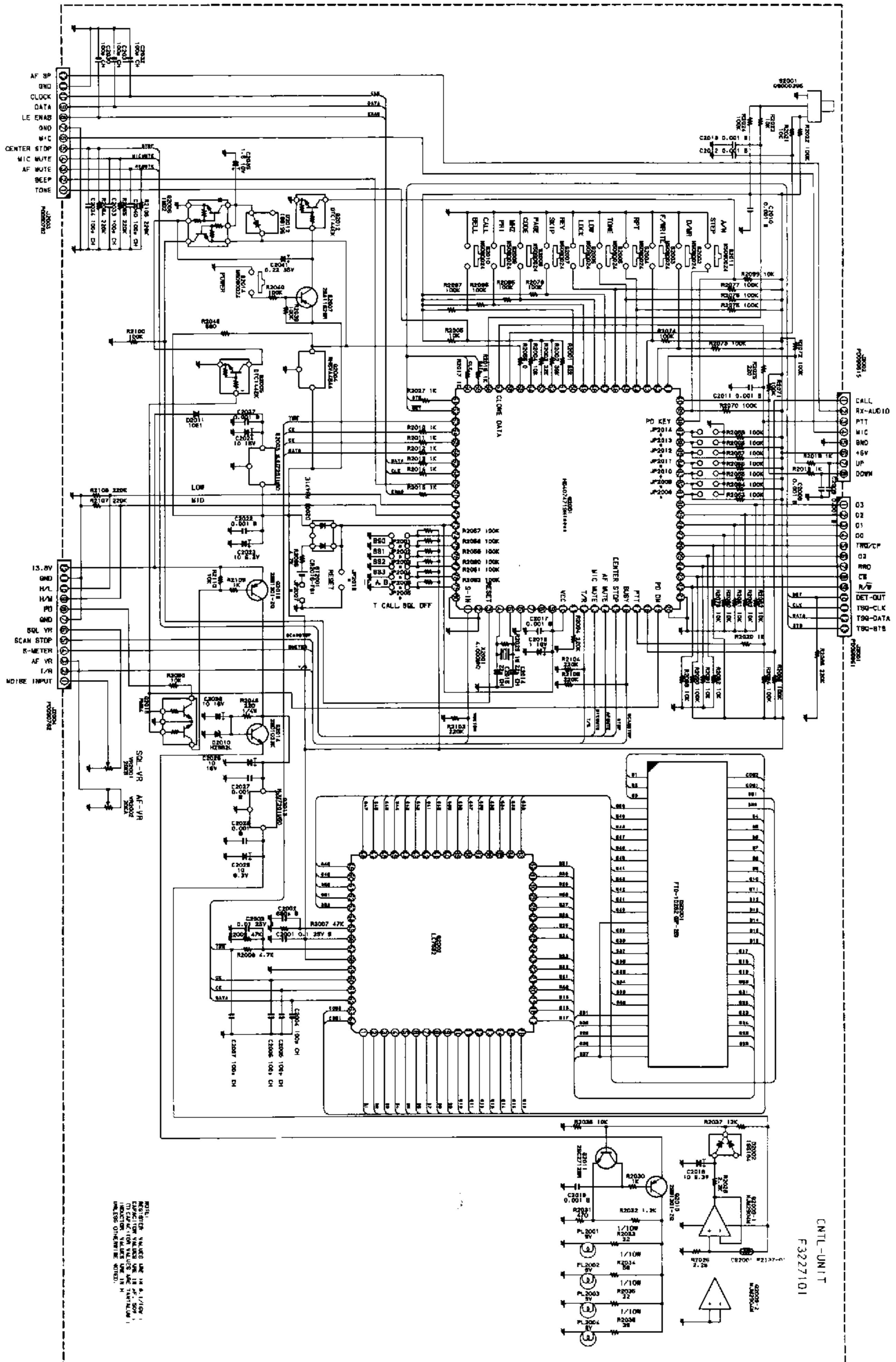




# FT-2400H SCHEMATIC DIAGRAMS

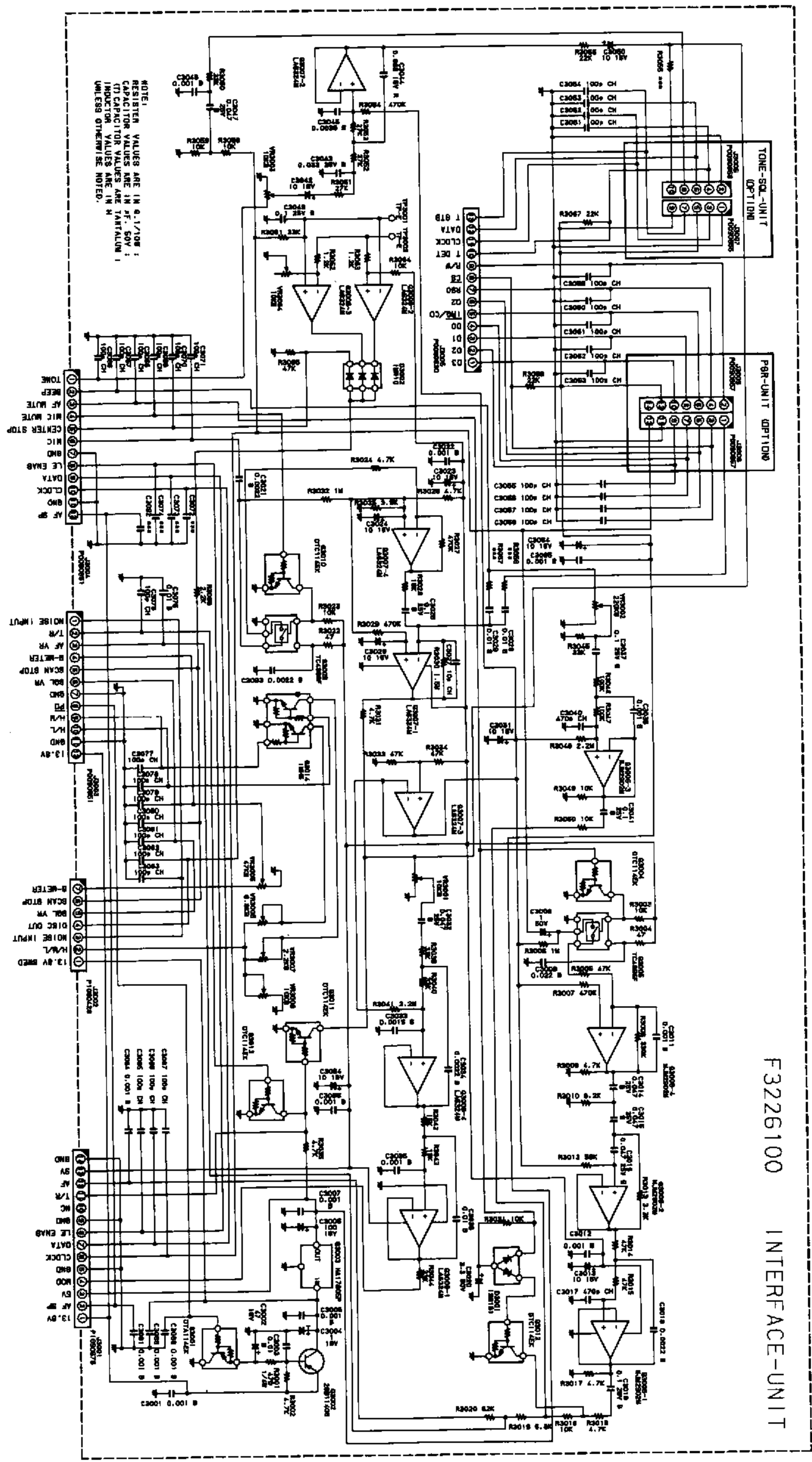




NOTES:  
 RESISTOR VALUES ARE IN Ω, 1/10W,  
 CAPACITOR VALUES ARE IN pF, 1/10W,  
 UNLESS OTHERWISE NOTED.

CNTL-UNIT  
 F3227101

F3226100 INTERFACE-UNIT



NOTE:  
RESISTOR VALUES ARE IN OHMS UNLESS OTHERWISE NOTED.  
CAPACITOR VALUES ARE IN P.F. UNLESS OTHERWISE NOTED.  
INDUCTOR VALUES ARE IN MH UNLESS OTHERWISE NOTED.

