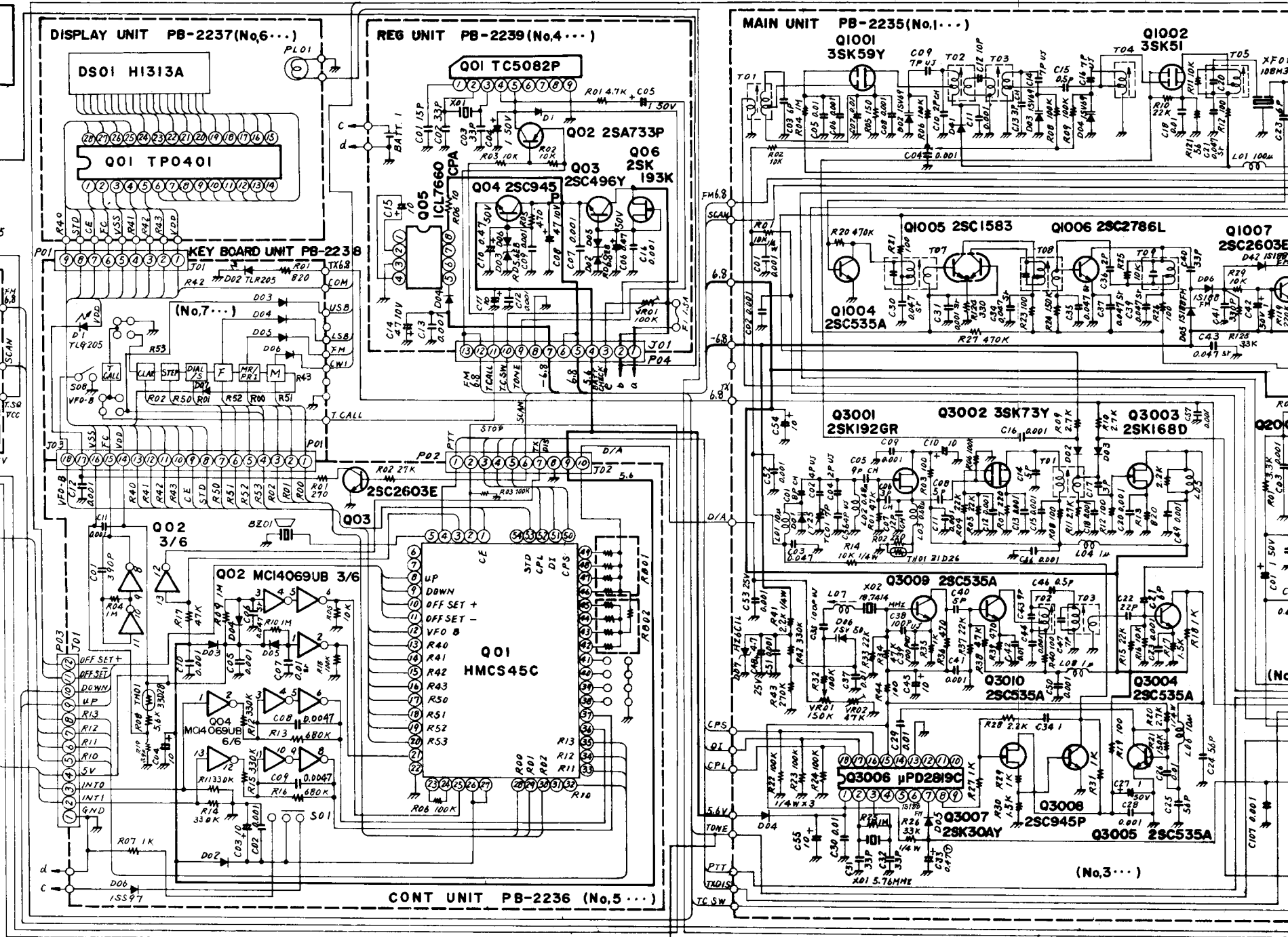


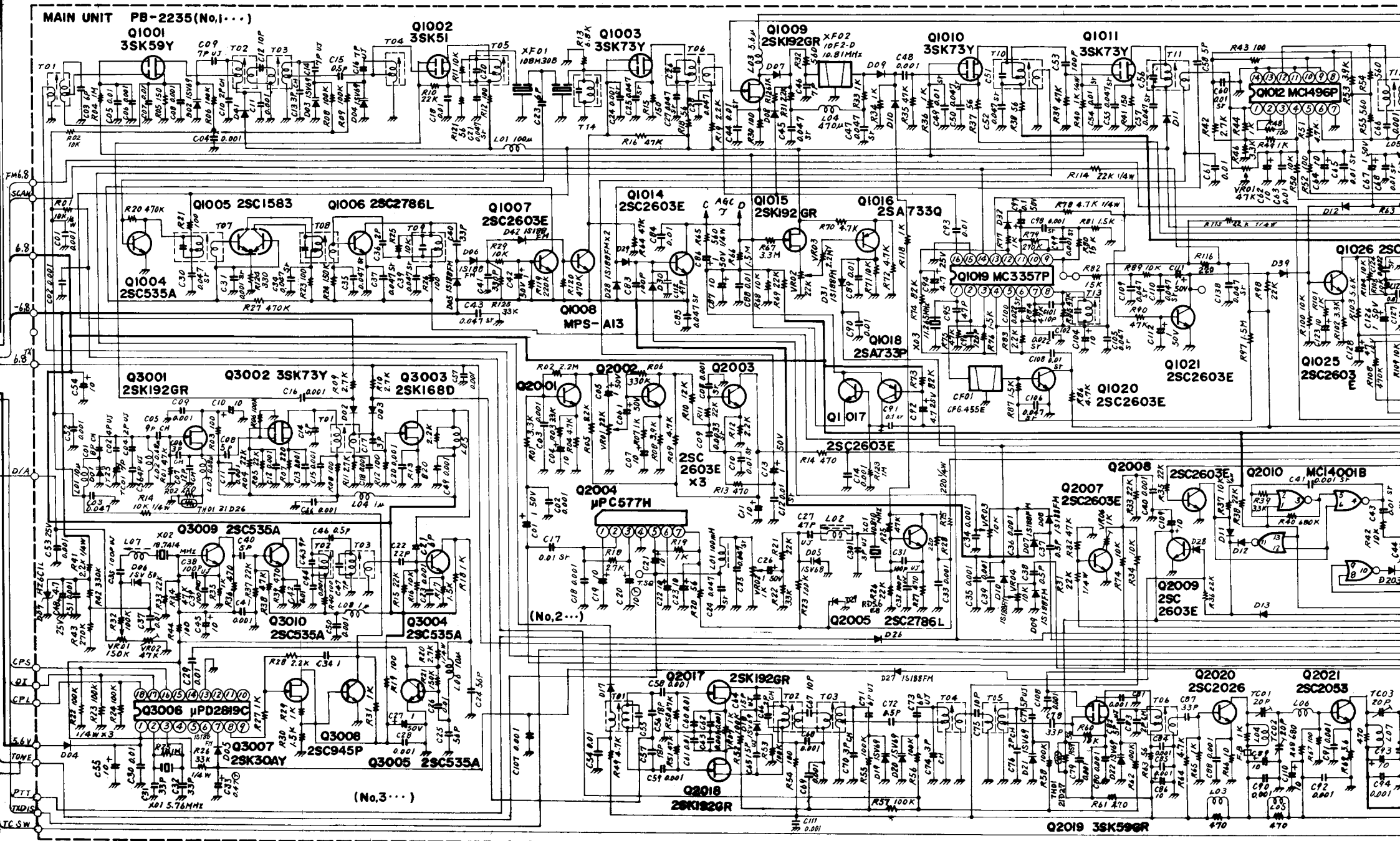
FT 290R
CIRCUIT DIAGRAM



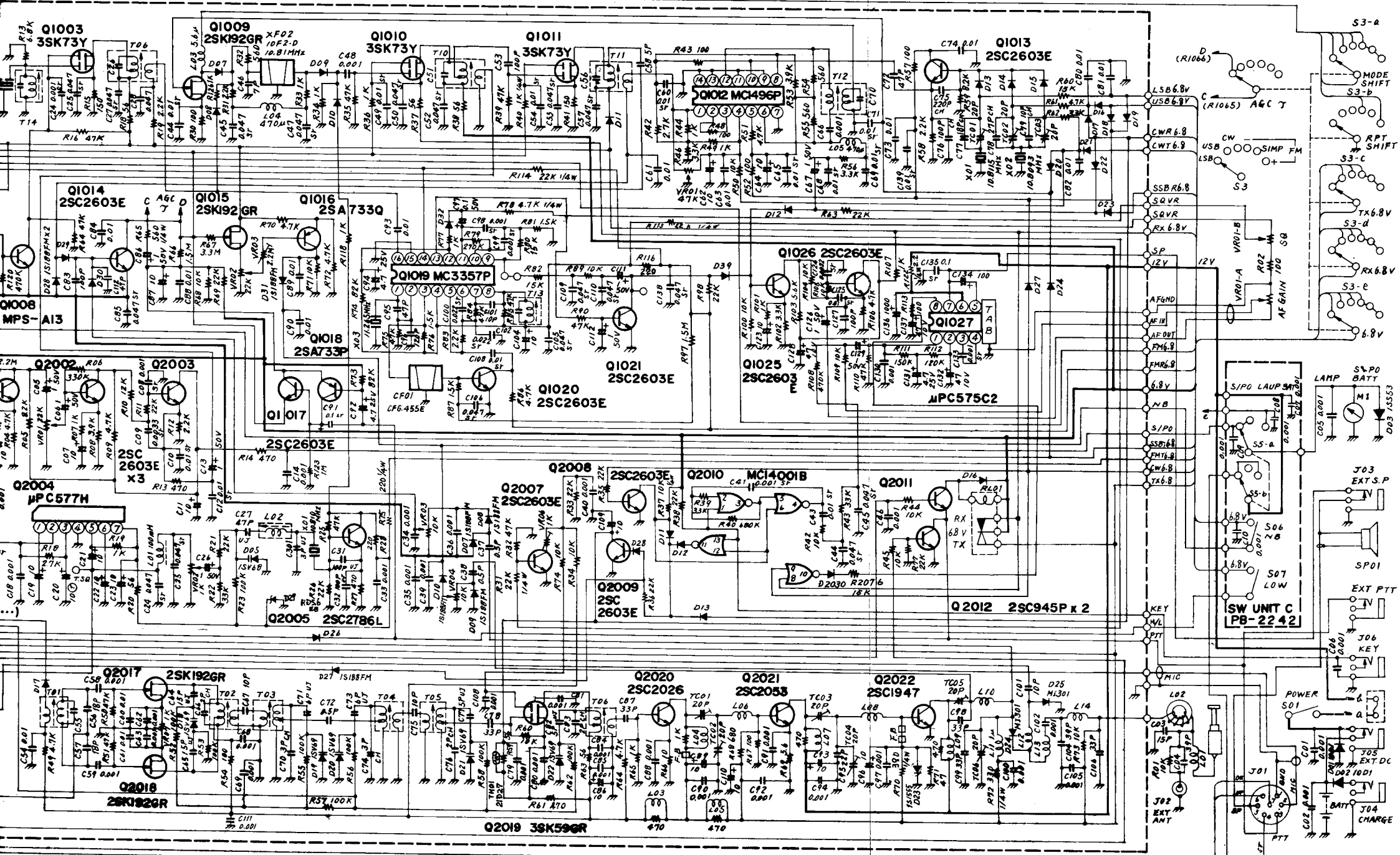
NOTES:
 1. ALL RESISTORS ARE IN Ω UNLESS OTHERWISE NOTED.
 2. ALL CAPACITORS ARE IN μ F UNLESS OTHERWISE NOTED.
 3. ALL DIODES ARE 1SS53 UNLESS OTHERWISE NOTED

Scanned by IW1AXR
 Downloaded by Amateur Radio Directory
 Scan by Don HamDirectory.info
 www.hamdirectory.info

MAIN UNIT PB-2235(No.1...)



- NOTES.
1. ALL RESISTORS ARE IN Ω UNLESS OTHERWISE NOTED.
 2. ALL CAPACITORS ARE IN μF UNLESS OTHERWISE NOTED.
 3. ALL DIODES ARE 1SS53 UNLESS OTHERWISE NOTED.
 4. ALL ELECTROLYTIC CAPACITORS ARE 16V UNLESS OTHERWISE NOTED.
 5. VALUE IS NOMINAL.



4. ALL ELECTROLYTIC CAPACITORS ARE 16V UNLESS OTHERWISE NOTED.
 5. VALUE IS NOMINAL.