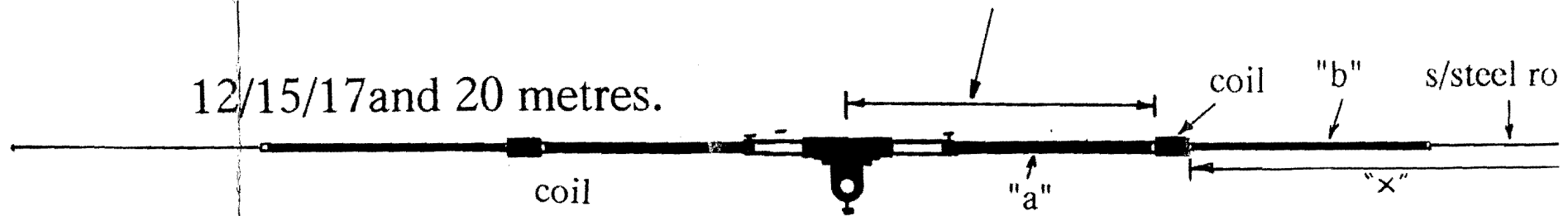
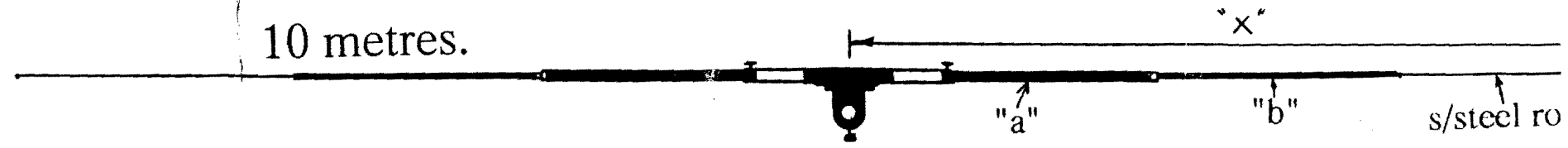


This dimension not critical on 12/15/17/20 metres but approx 1mtr.

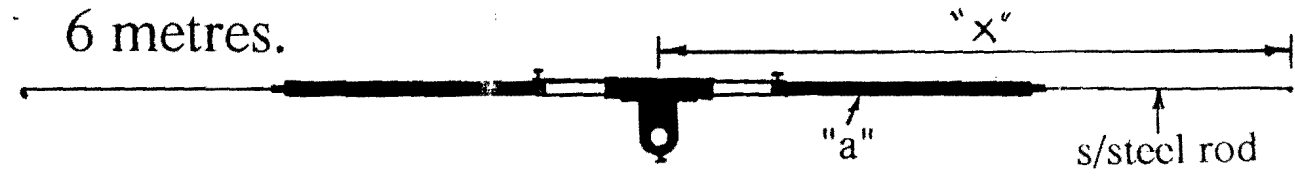
12/15/17 and 20 metres.



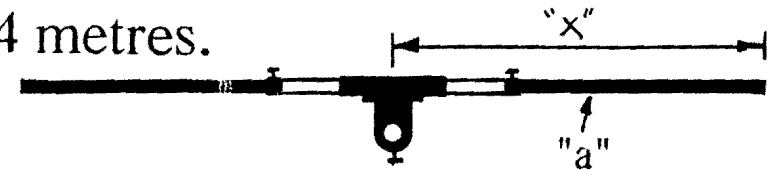
10 metres.



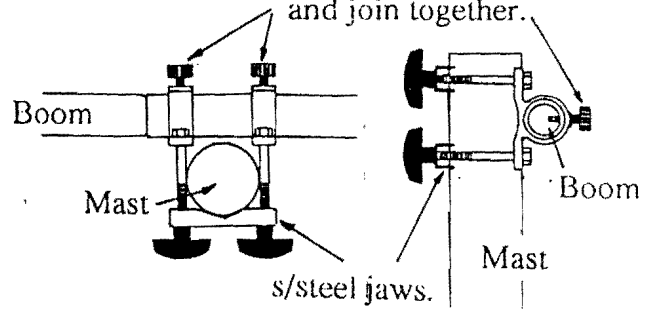
6 metres.



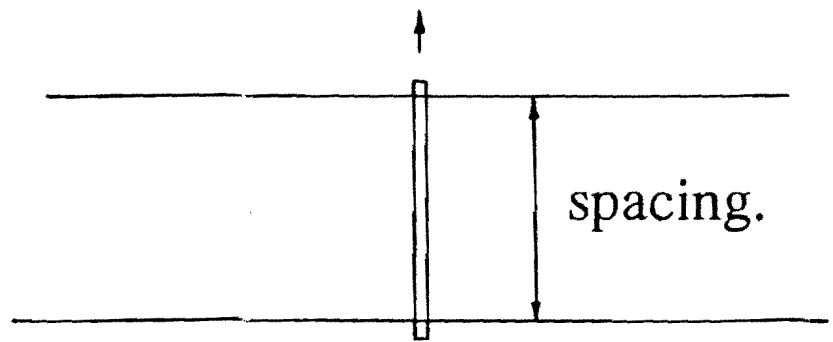
4 metres.



Hand wheel bolts go through boom and join together.



spacing.



# RTABLE HF VERTICAL

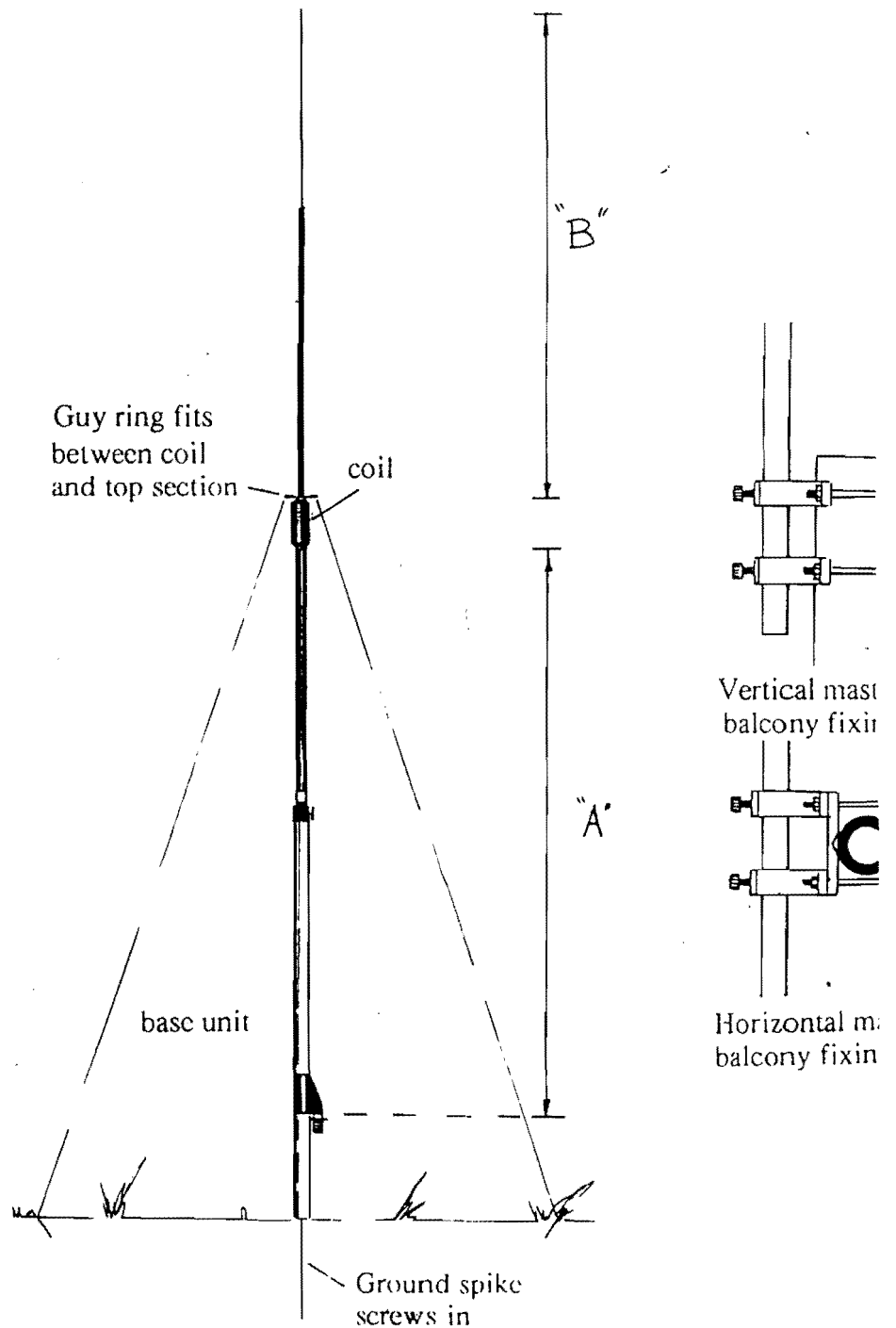
10/12/15/17 and 20 mtrs.

ground/mast or balcony mounted

	"A"	Coil	"B"
tr 5/8.	45"(1.14m)	no coil	55"(1.4m)
tr 5/8.	44.5"(1.13m)	No2	64"(1.63m)
ntr..	45"(1.14m)	no coil	40"(1.02m)
ntr.	45"(1.14m)	no coil	51"(1.3m)
ntr.	45"(1.14m)	No1	47"(1.2m)
ntr	48"(1.22m)	No2	28"(0.71m)
ntr	45"(1.14m)	No2	53"(1.35m)

base note "A" is distance from feed point to  
 l or joint, "B" is distance from joint/top of  
 l to top of aerial. All measurements are at  
 tom of each ban, and aerial ground mounted  
 h addition of one ground plane for each band  
 igh of ground planes.

tr....40"(1.02m) 6mtr....56"(1.42m)  
 ntr...100"(2.45m) 12mtr...113"(2.87m)  
 ntr...134"(3.4m) 17mtr...156"(3.96m)  
 ntr...200"(5.08m)



## 2 ELEMENT PORTABLE YAGI.

For 4/6/10/12/15/17and 20mtrs.

4 mtr(no coils and first section "a"only

Driven element	Director	Spacing.
55"(1.02m)	37"(0.94m)	21"(0.53)

6 mtr(no coils section "a"+alum.rod.

Driven element	Director	Spacing.
55"(1.4m)	52"(1.3m)	30"(0.76m)

10 mtr(no coils,section "a"+"b"+alum rod.

Driven element	Director	Spacing
97"(2.41m)	93"(2.36m)	60"(1.5m)

12 mtr(coil No1+"a"+"b"+alum rod.

Driven element	Director	Spacing.
42"(1.07m)	38"(0.96)	70"(1.78m)

15mtr(coil No1+"a"+"b"+alum rod.

Driven element	Director	Spacing
57"(1.47m)	52"(1.32m)	70"(1.78m)

17mtr(coil No2+"a"+"b"+short alum rod.

Driven element	Director	Spacing
31"(0.79m)	28"(0.71)	70"(1.78)

20mtr(coil No2+"a"+"b"+alum rod.

Driven elemnt	Director	Spacing
56"(1.42m)	49"(1.24m)	70"(1.78m).