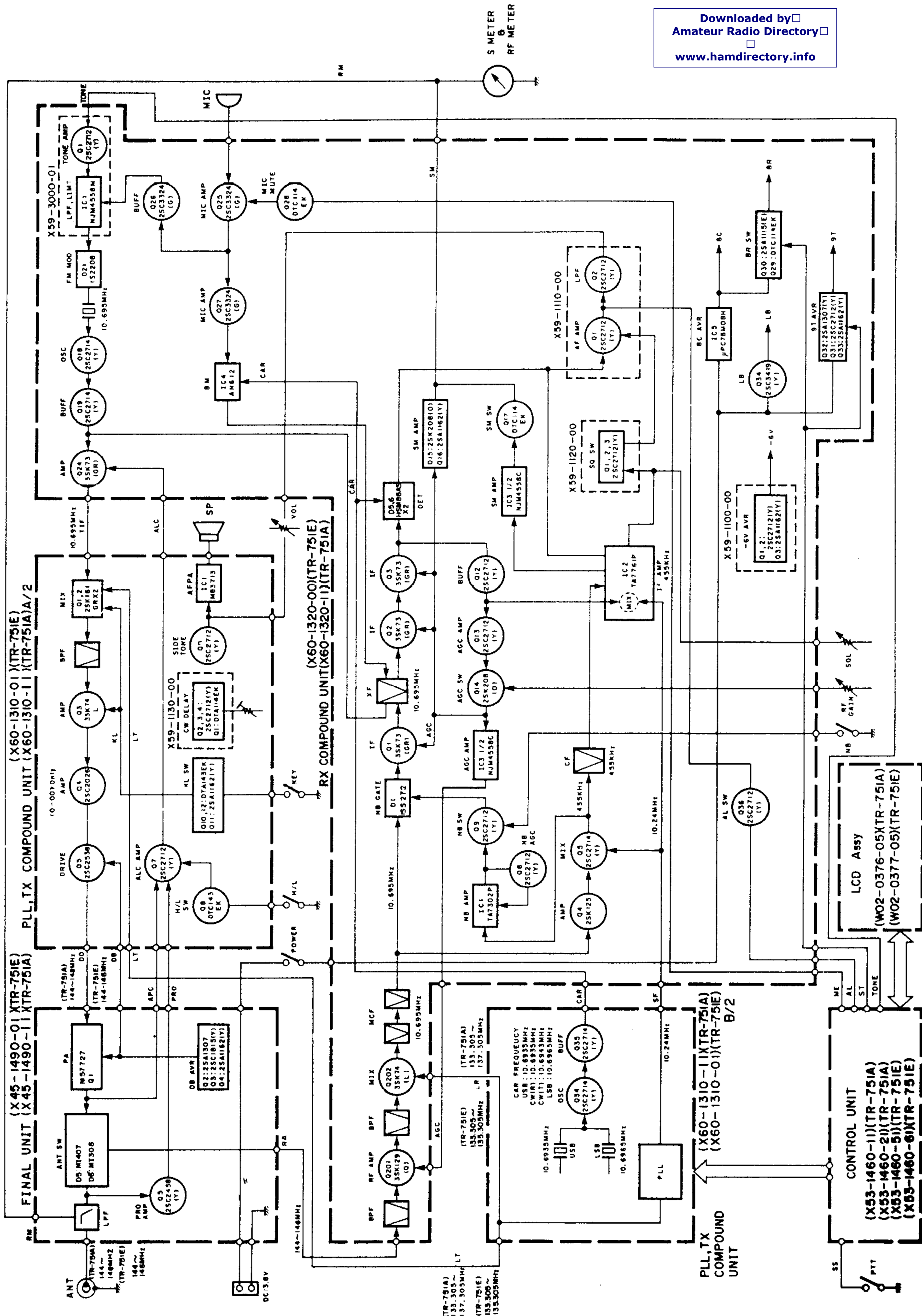
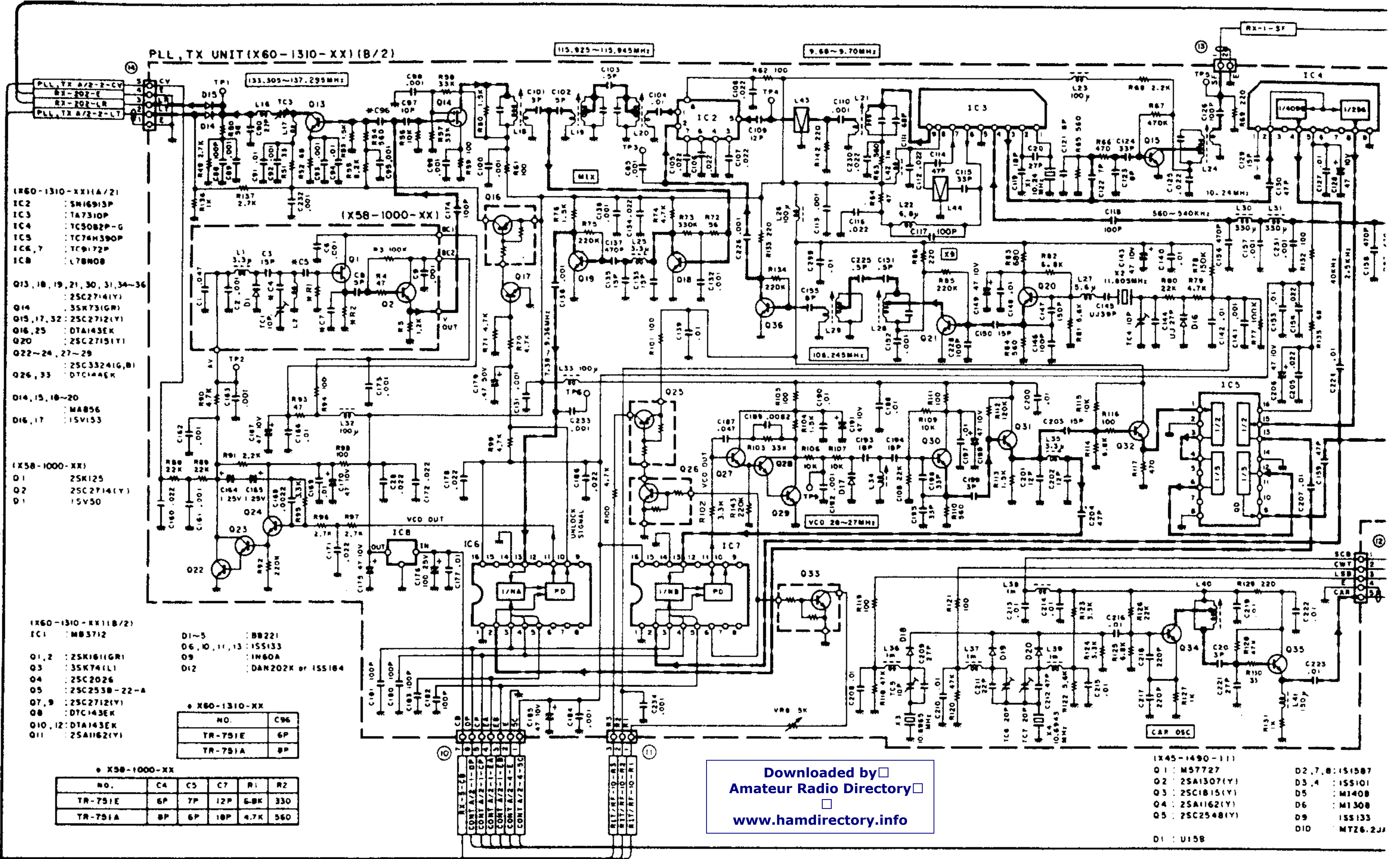


6-1-2. TR-751A/751E

Downloaded by
Amateur Radio Directory
www.hamdirectory.info



6-2-2. TR-751A/751E



- (X60-1310-XX) (A/2)
- IC2 : 5N16913P
 - IC3 : TA7310P
 - IC4 : TC5082P-G
 - IC5 : TC74H390P
 - IC6, 7 : TC9172P
 - IC8 : 78N08
- Q13, 18, 19, 21, 30, 31, 34-36 : 25C2714(Y)
- Q14 : 35K731GR
- Q15, 17, 32 : 25C2712(Y)
- Q16, 25 : DTA143EK
- Q20 : 25C2715(Y)
- Q22-24, 27-29 : 25C33241G(B)
- Q26, 33 : DTC144EK
- D14, 15, 18-20 : MAB56
- D16, 17 : 15V153

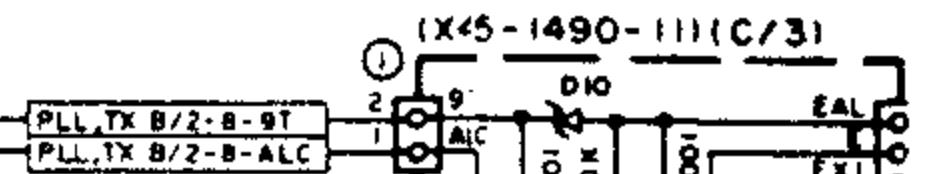
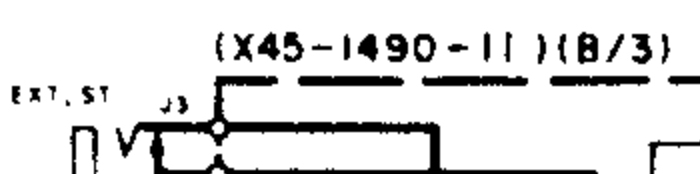
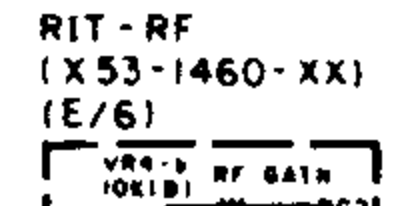
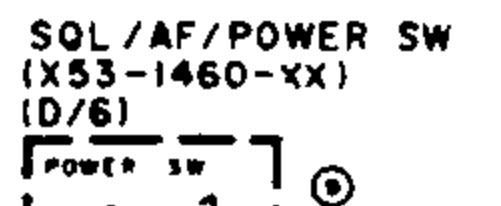
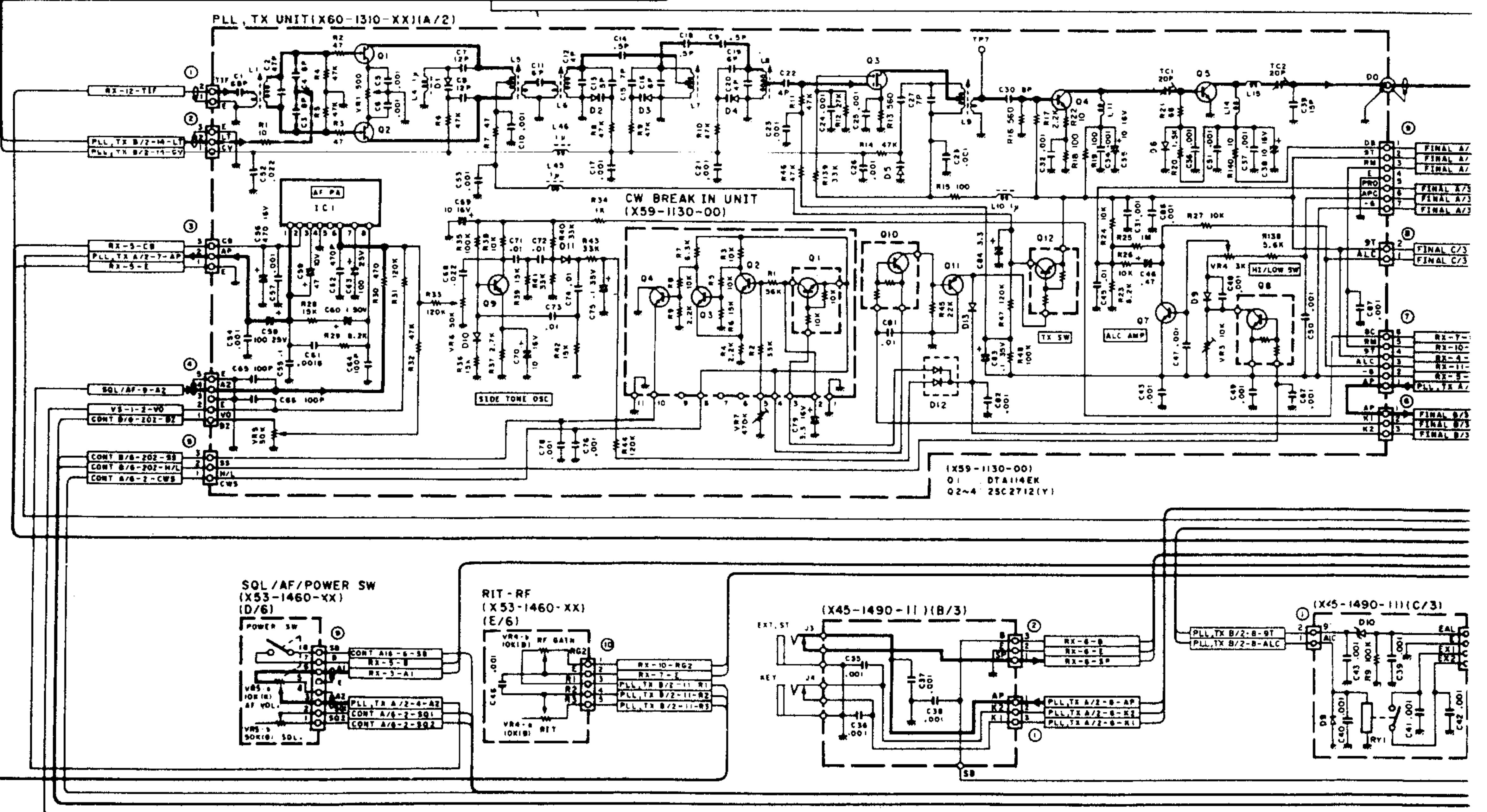
- (X58-1000-XX)
- D1 : 25K125
 - D2 : 25C2714(Y)
 - D : 15V50

- (X60-1310-XX) (B/2)
- IC1 : MB3712
 - Q1, 2 : 25K181GR
 - Q3 : 35K741L
 - Q4 : 25C2026
 - Q5 : 25C2538-22-A
 - Q7, 9 : 25C2712(Y)
 - Q8 : DTC143EK
 - Q10, 12 : DTA143EK
 - Q11 : 25A1162(Y)

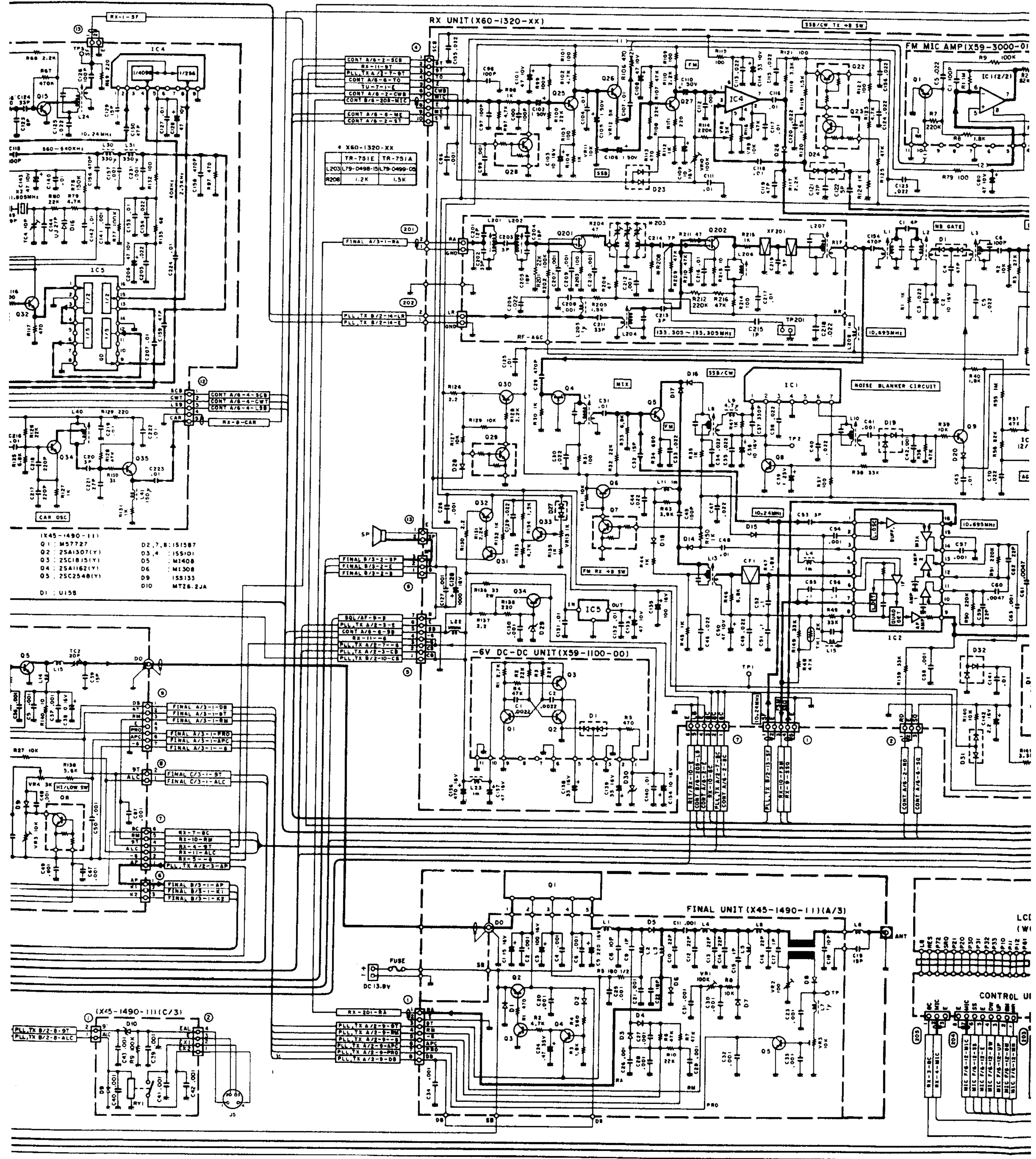
X60-1310-XX	
NO.	C96
TR-751E	6P
TR-751A	8P

X58-1000-XX					
NO.	C4	C5	C7	R1	R2
TR-751E	6P	7P	12P	6BK	330
TR-751A	8P	6P	18P	4.7K	560

- (X45-1490-11)
- Q1 : M57727
 - Q2 : 25A1307(Y)
 - Q3 : 25C1815(Y)
 - Q4 : 25A1162(Y)
 - Q5 : 25C2548(Y)
- D1 : U158
- D2, 7, 8 : 151587
- D3, 4 : 155101
- D5 : M1408
- D6 : M1308
- D9 : 155133
- D10 : MT26.2J



- (X59-1130-00)
- Q : DTA143EK
 - Q2-4 : 25C2712(Y)

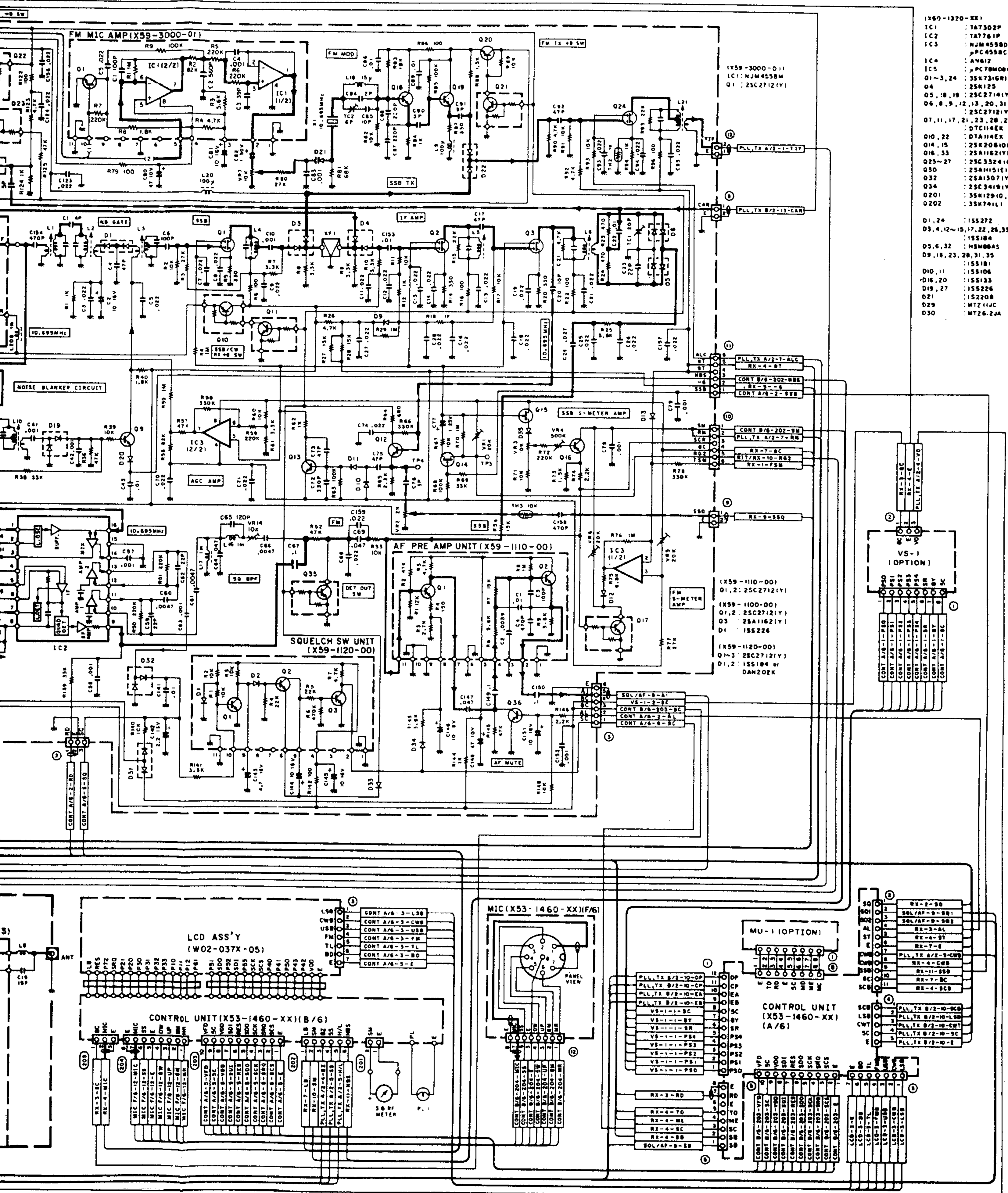


* X60-1320-XX

TR-751E	TR-751A
L203	L79-0498-15L79-0499-02
R208	1.2K
	1.5K

- (X45-1490-11)
- O1 : M57727
- O2 : 25A1307(Y)
- O3 : 25C1815(Y)
- O4 : 25A1162(Y)
- O5 : 25C2548(Y)
- D1 : U158
- D2,7,8 : 151587
- D3,4 : 155101
- D5 : M1408
- D6 : M1308
- D9 : 155133
- D10 : MT26-2JA

Note:
Circuit is sub

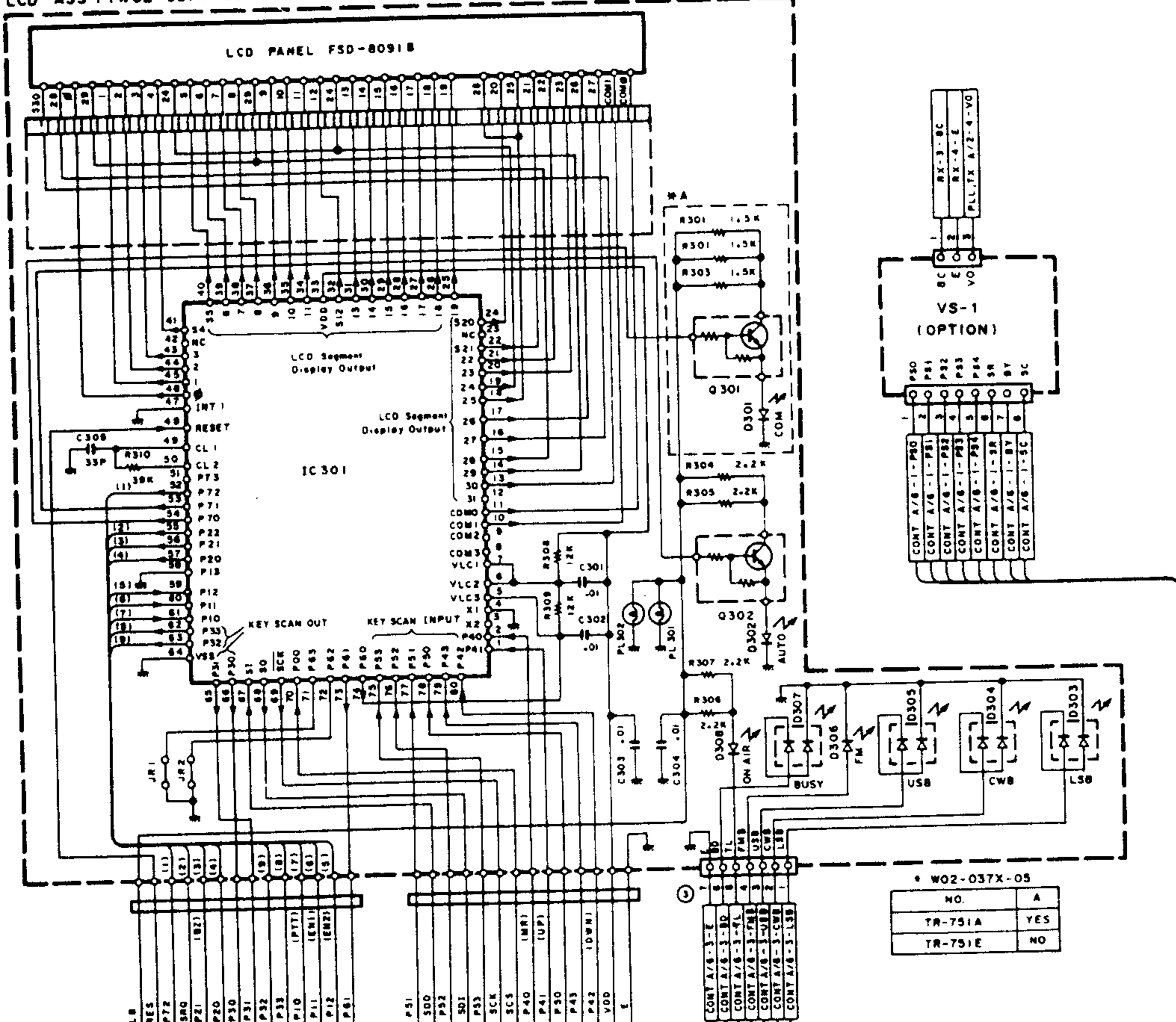


- | | |
|--------------------------------|---------------------|
| IC60-1320-XX | |
| IC1 | TA7302P |
| IC2 | TA7761P |
| IC3 | NJM4558M
PC4558C |
| IC4 | A9612 |
| IC5 | PC78M08H |
| O1-3, 24 | 3SK734GR |
| O4 | 2SK125 |
| O5, 18, 19 | 2SC2714(Y) |
| O6, 8, 9, 12, 13, 20, 31, 34 | 2SC2712(Y) |
| O7, 11, 17, 21, 23, 28, 29, 33 | DTCH4ER |
| O10, 22 | DTA114EK |
| O14, 15 | 2SK208(D) |
| O16, 33 | 2SA1162(Y) |
| O25-27 | 2SC3324(G, B) |
| O30 | 2SA1151(E) |
| O32 | 2SA1307(Y) |
| O34 | 2SC3419(Y) |
| O201 | 3SK129(D, B) |
| O202 | 3SK74(L) |
-
- | | |
|----------------------------------|----------|
| D1, 24 | 1SS272 |
| D3, 4, 12-15, 17, 22, 26, 33, 34 | 1SS184 |
| D5, 6, 32 | H5M08A5 |
| D9, 18, 23, 28, 31, 35 | 1SS181 |
| D10, 11 | 1SS106 |
| D16, 20 | 1SS133 |
| D19, 27 | 1SS226 |
| D21 | 1S2208 |
| D29 | MTZ11JC |
| D30 | MTZ6-2JA |

Note: Circuit is subject to change without notice due to advancements in technology.

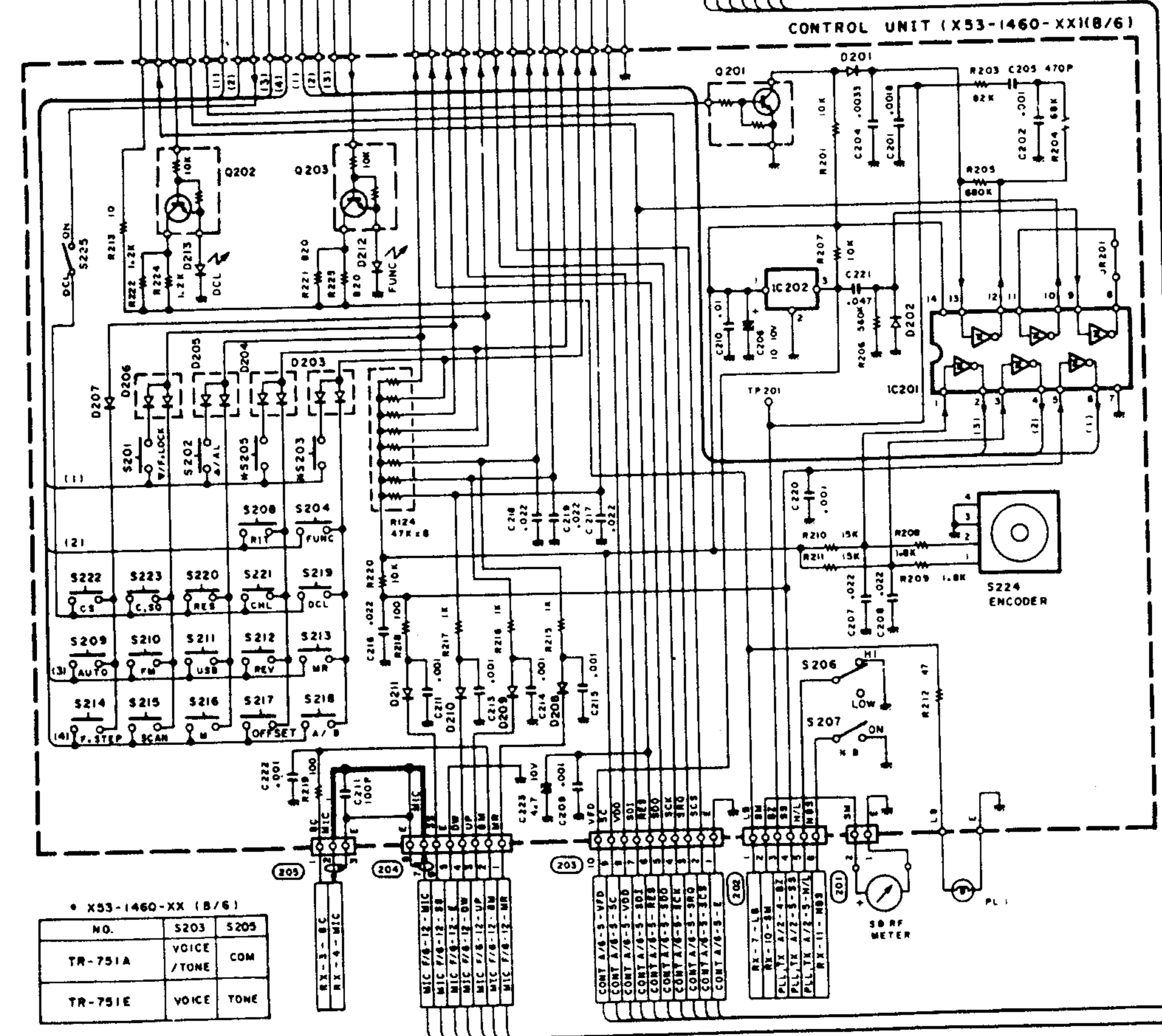
TR-751A
TR-751E

LCD ASS'Y (W02-037X-05)



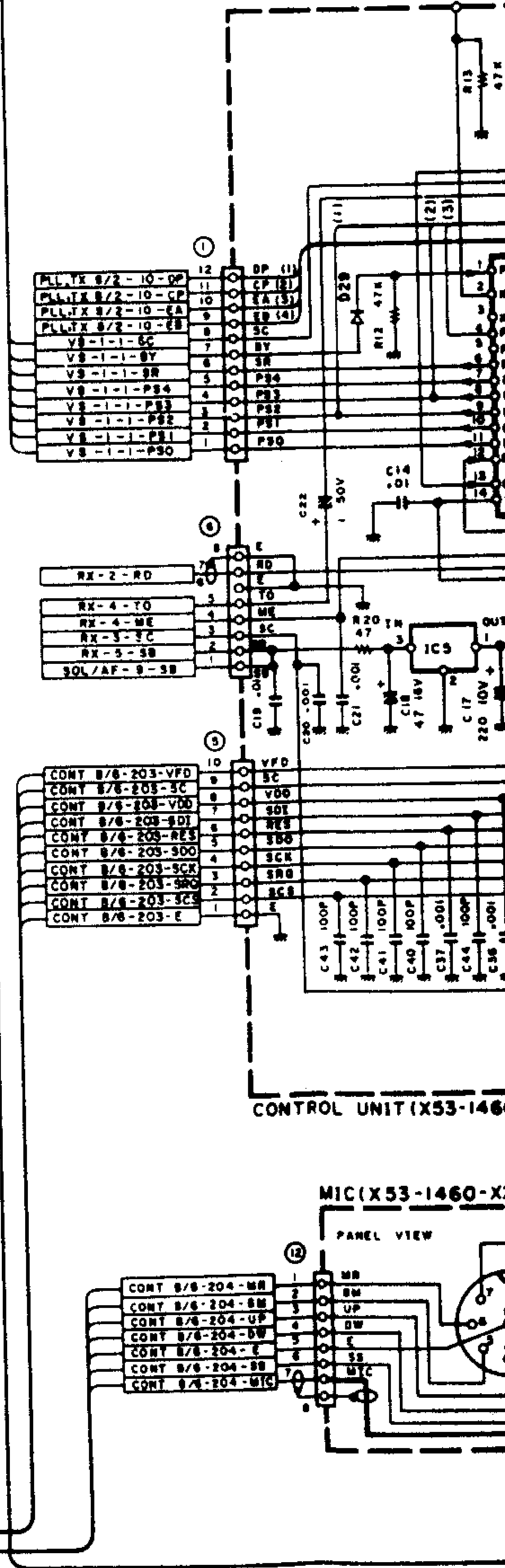
NO.	A
TR-751A	YES
TR-751E	NO

Downloaded by
Amateur Radio Directory
www.hamdirectory.info



* X53-1460-XX (B/6)

NO.	S203	S205
TR-751A	VOICE /TONE	COM
TR-751E	VOICE	TONE



01,2,4,6,201~203,301,302
 03 DTC114EK
 05 25C2712(Y)
 07,8 DTA114TK

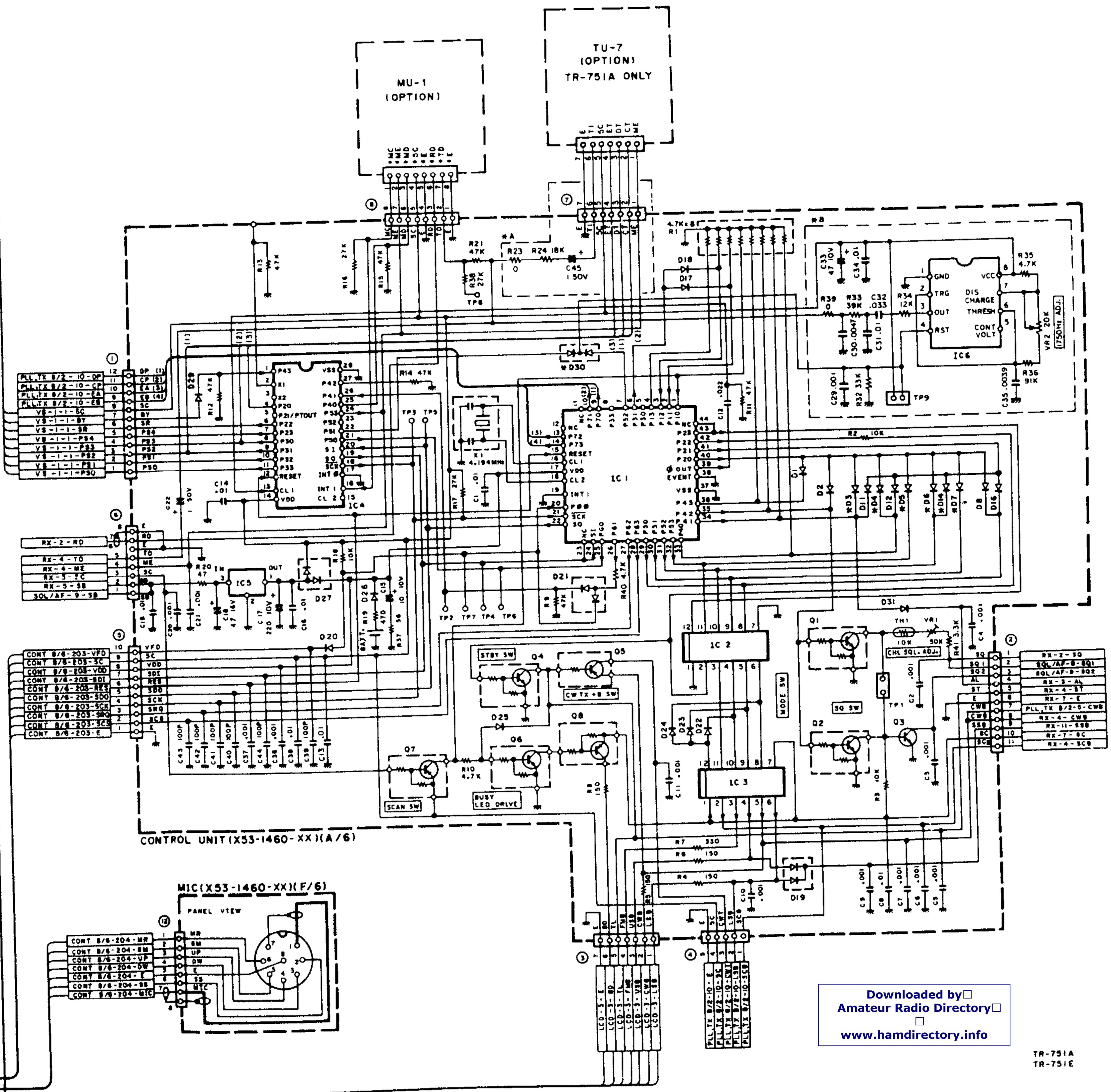
IC1 μ PD7508HG-545-22
 IC2 DT5C124E
 IC3 DT5A143E
 IC4 μ PD7507SCT-215
 IC5 M5278L56
 IC6 NE555P

D1~8,11,12,14,16~18,22~24,207~211
 155133
 D19,20,25,26,30,31,
 (S5184 or DAN202K
 D21,27,201~206
 155181 or DAP 202K
 D29 155106
 D212 LN322GP
 D213 LM422YP
 D301,306 MP-2AA001
 D302,308 MP-18R001
 D303~305,307
 MP-28G001

IC201 BU4584B
 IC202 PST523C
 IC301 μ PD7514G-143-12

* X53-1460-XX (A/G)

NO.	D3	D4	D5	D6	D7	D14	D30	A	B
TA-751A	U.S.A. Version	YES	YES	NO	NO	NO	YES	NO	YES
	Other market Version	YES	NO	NO	NO	YES	NO	YES	NO
TR-751E	U.K. Version	NO	NO	NO	YES	YES	NO	YES	NO
	Europe Version	NO	YES	YES	YES	YES	NO	YES	YES



Downloaded by
 Amateur Radio Directory
 www.hamdirectory.info

TR-751A
 TR-751E

Note: Circuit is subject to change without notice due to advancements in technology.