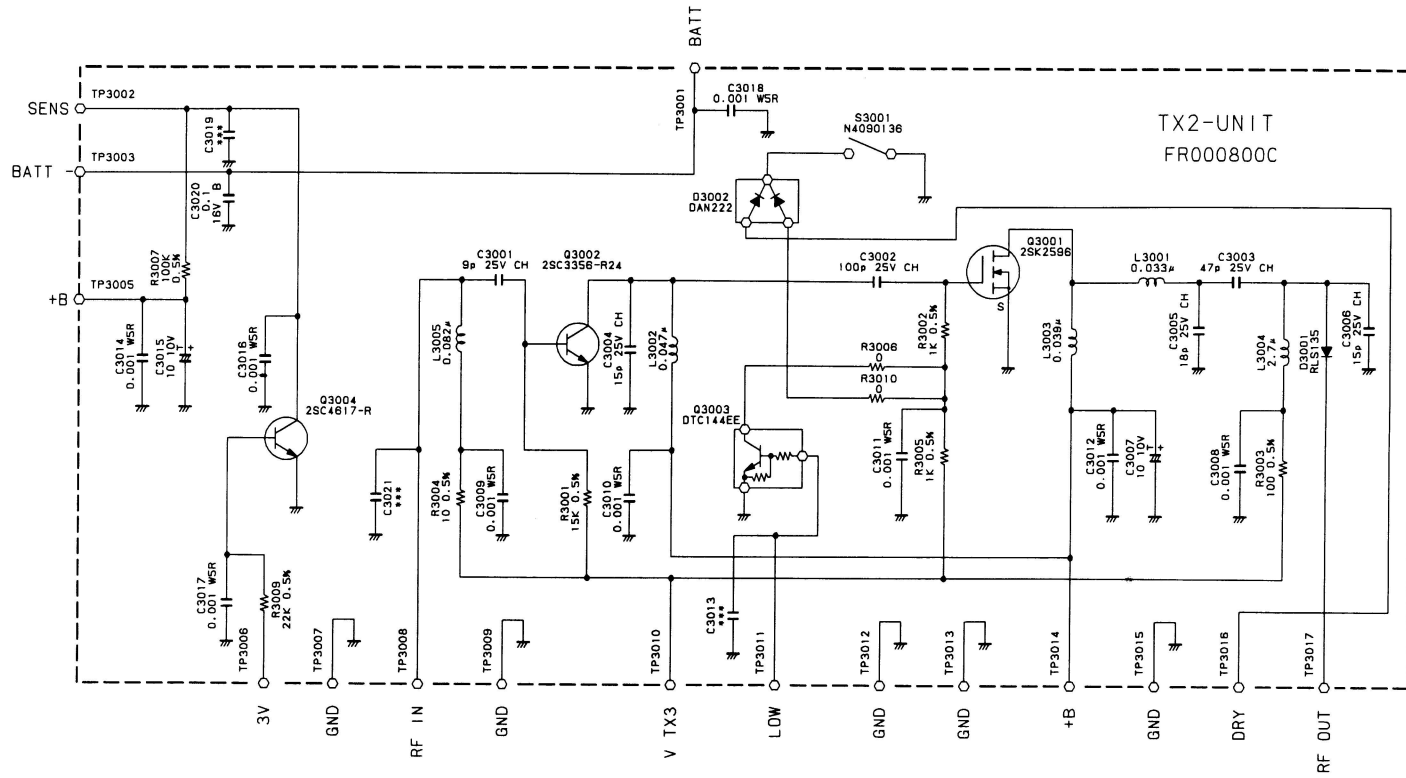
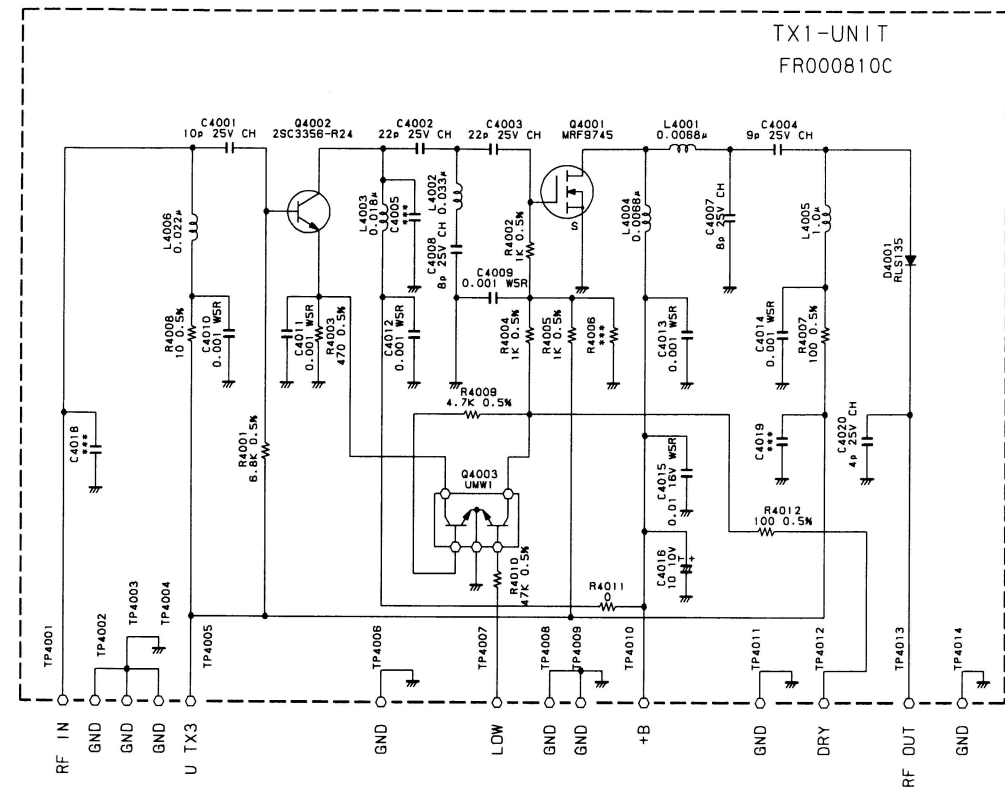


VX-1R Circuit Diagram

Downloaded by
RadioAmateur.EU

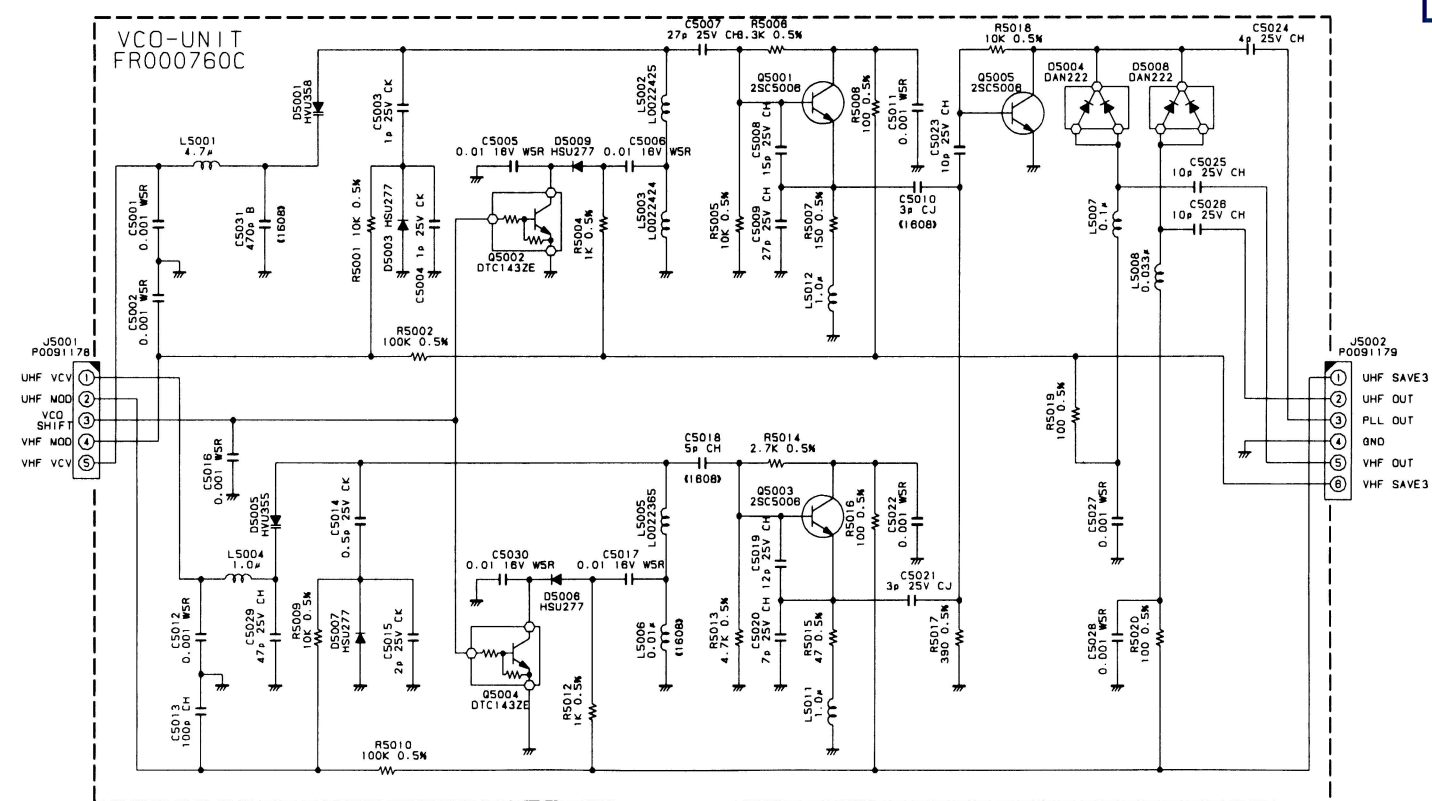


NOTE:
 RESISTOR VALUES ARE IN Ω, 1/16W ;
 CAPACITOR VALUES ARE IN μF, 50V ;
 (T) CAPACITOR VALUES ARE TANTALUM ;
 INDUCTOR VALUES ARE IN H
 UNLESS OTHERWISE NOTED.

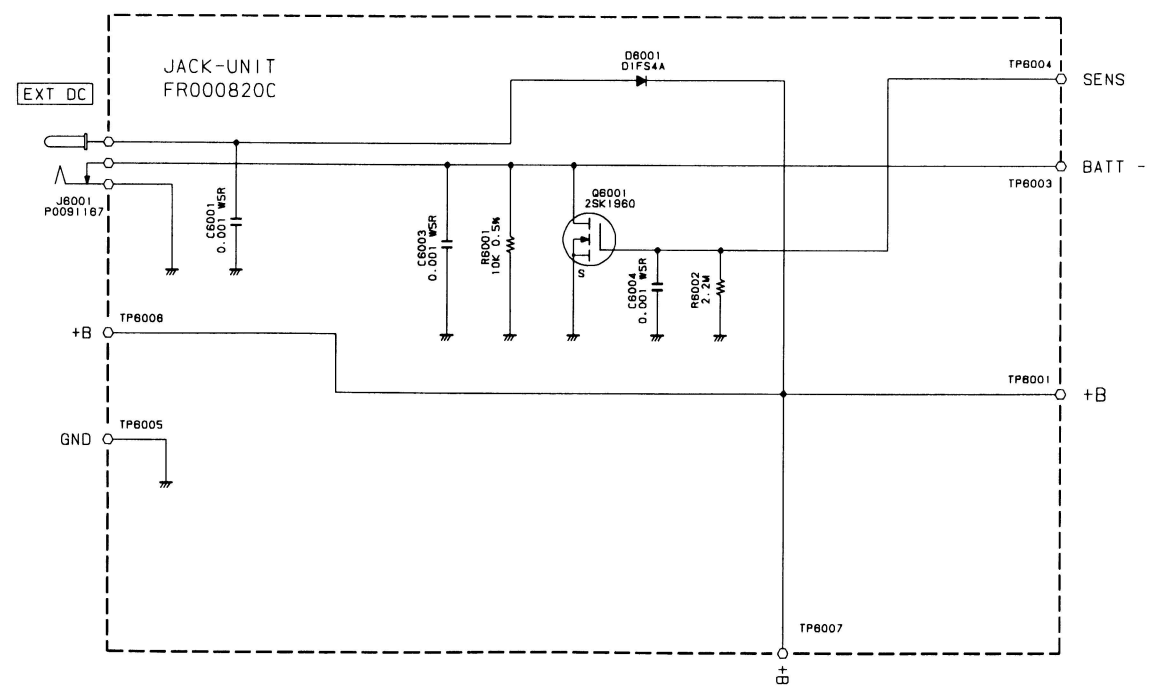


NOTE:
 RESISTOR VALUES ARE IN Ω, 1/16W ;
 CAPACITOR VALUES ARE IN μF, 50V ;
 (T) CAPACITOR VALUES ARE TANTALUM ;
 INDUCTOR VALUES ARE IN H
 UNLESS OTHERWISE NOTED.

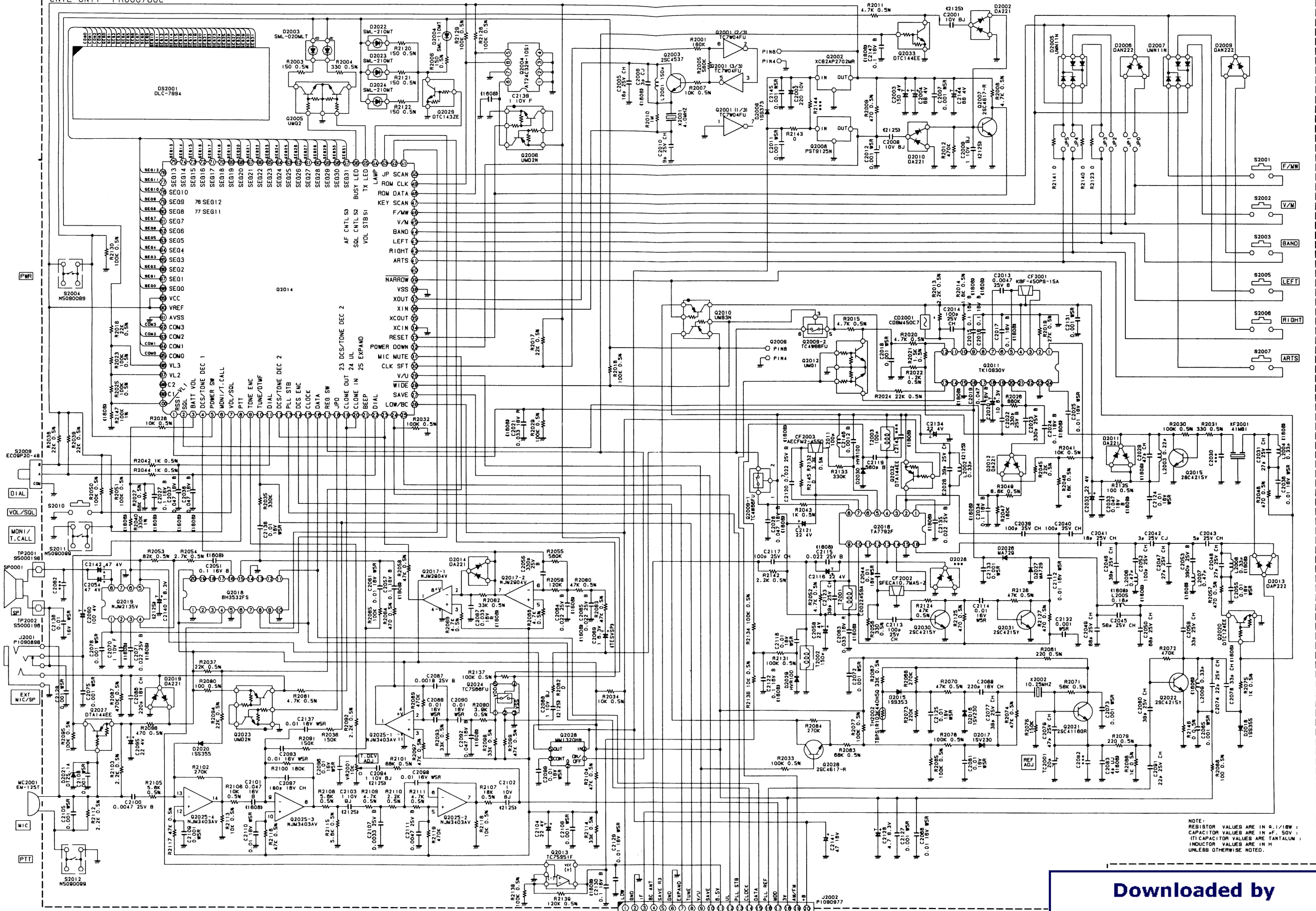
**Downloaded by
 RadioAmateur.EU**



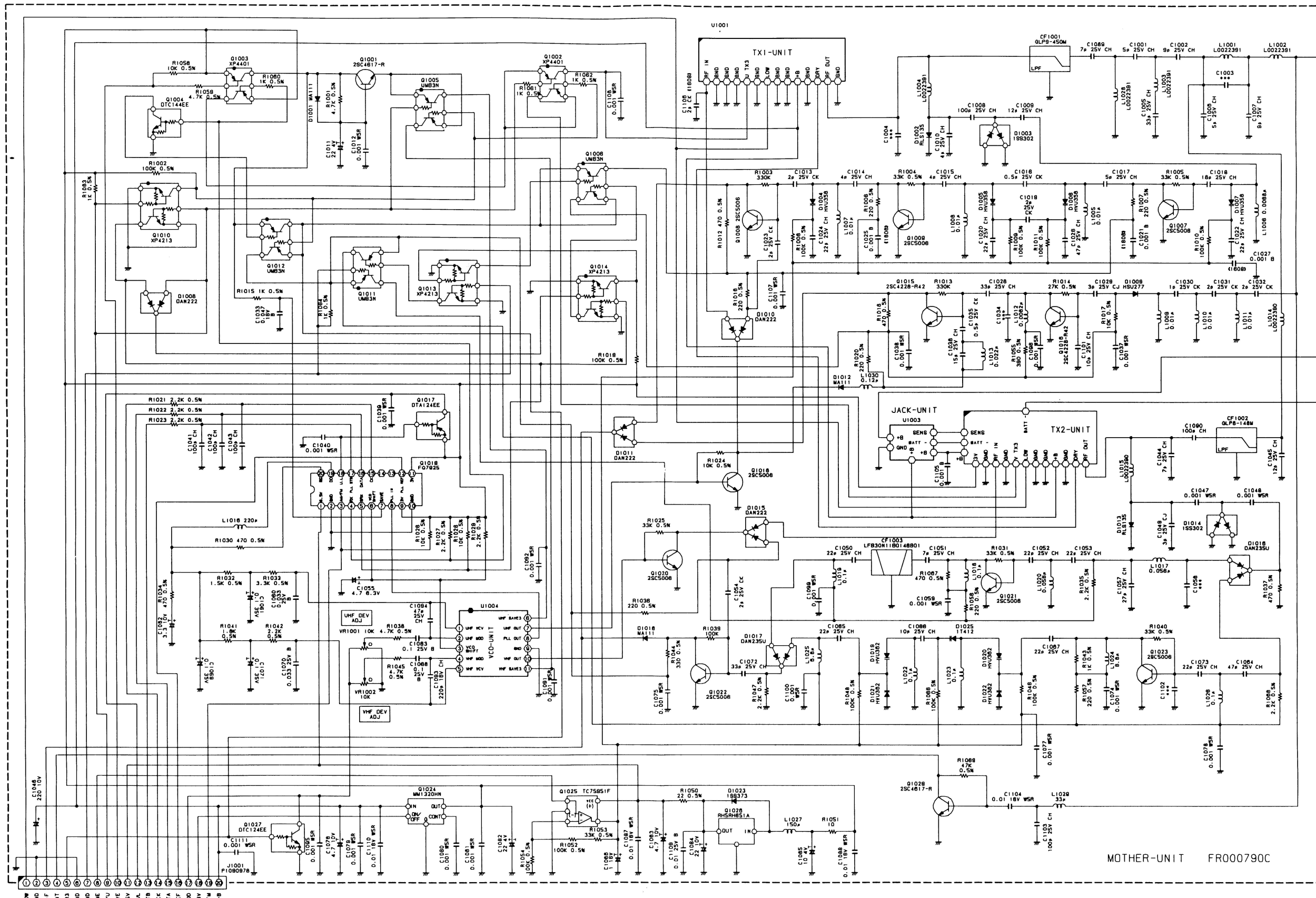
NOTE:
 RESISTOR VALUES ARE IN Ω, 1/16W ;
 CAPACITOR VALUES ARE IN μF, 50V ;
 (T) CAPACITOR VALUES ARE TANTALUM ;
 INDUCTOR VALUES ARE IN H
 UNLESS OTHERWISE NOTED.



NOTE:
 RESISTOR VALUES ARE IN Ω, 1/16W ;
 CAPACITOR VALUES ARE IN μF, 50V ;
 (T) CAPACITOR VALUES ARE TANTALUM ;
 INDUCTOR VALUES ARE IN H
 UNLESS OTHERWISE NOTED.



NOTE: RESISTOR VALUES ARE IN Ω, 1K, 10K, 100K, 1M; CAPACITOR VALUES ARE IN pF, 50V; (1) CAPACITOR VALUES ARE TANTALUM; INDUCTOR VALUES ARE IN H UNLESS OTHERWISE NOTED.



MOTHER-UNIT FR00790C

Downloaded by
RadioAmateur.EU

NOTE:
 RESISTOR VALUES ARE IN Ω, 1/10Ω, 1/5Ω,
 CAPACITOR VALUES ARE IN pF, 50V,
 (1) CAPACITOR VALUES ARE TANTALUM,
 INDUCTOR VALUES ARE IN H,
 UNLESS OTHERWISE NOTED.