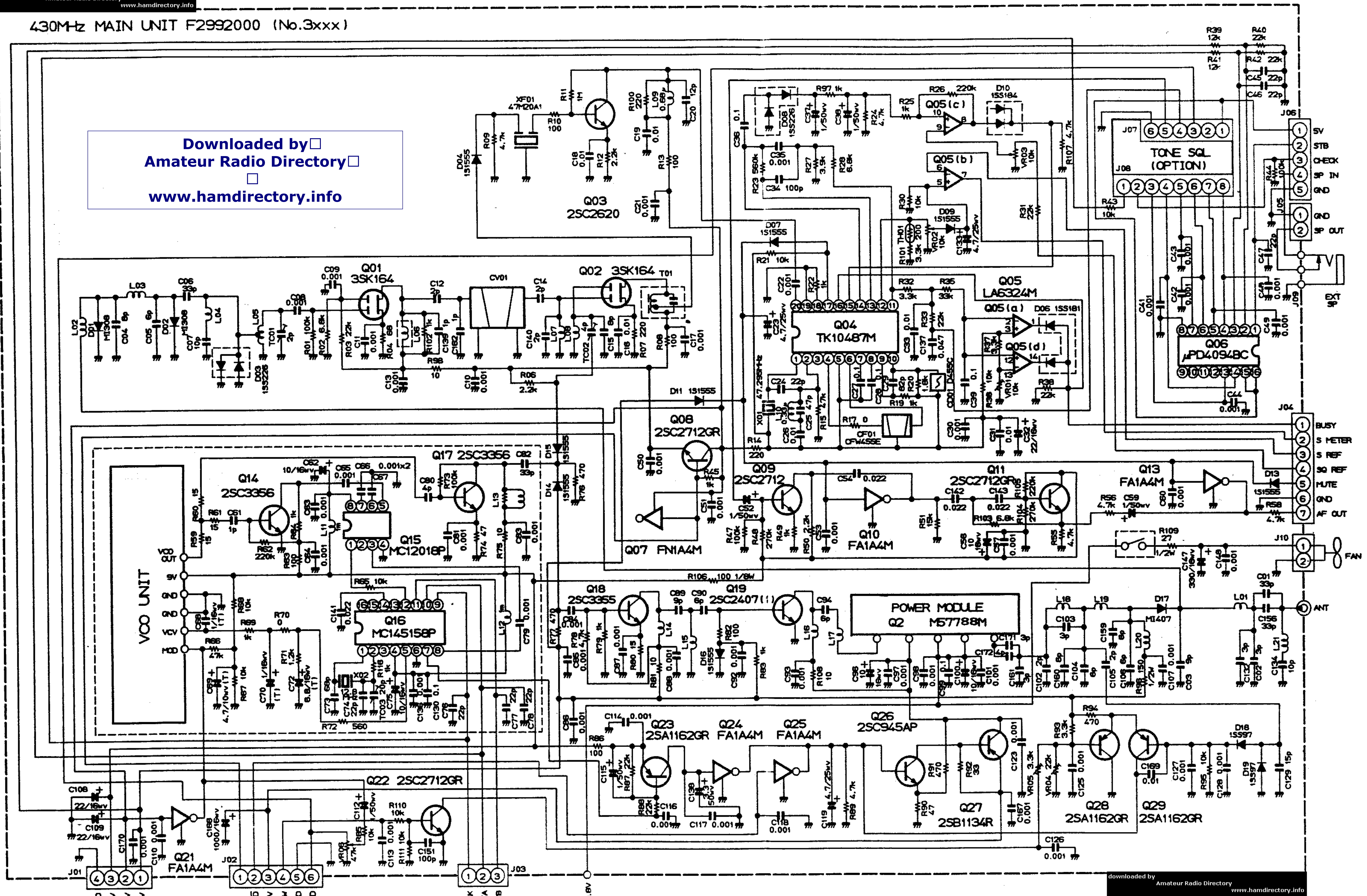


PANEL UNIT
F2955000A (No.6xxx)

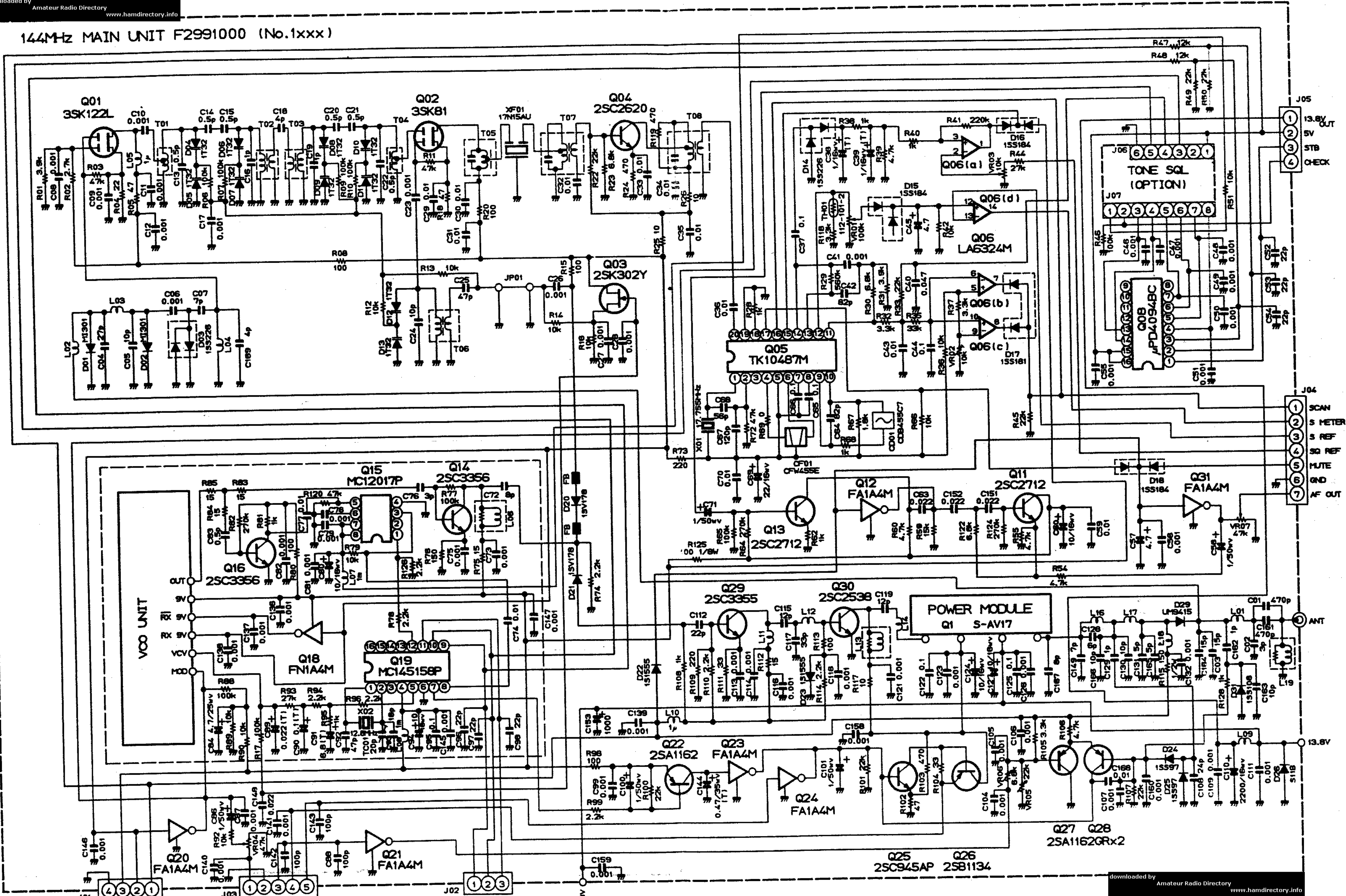
430MHz MAIN UNIT F2992000 (No.3xxx)

Downloaded by
Amateur Radio Directory
www.hamdirectory.info



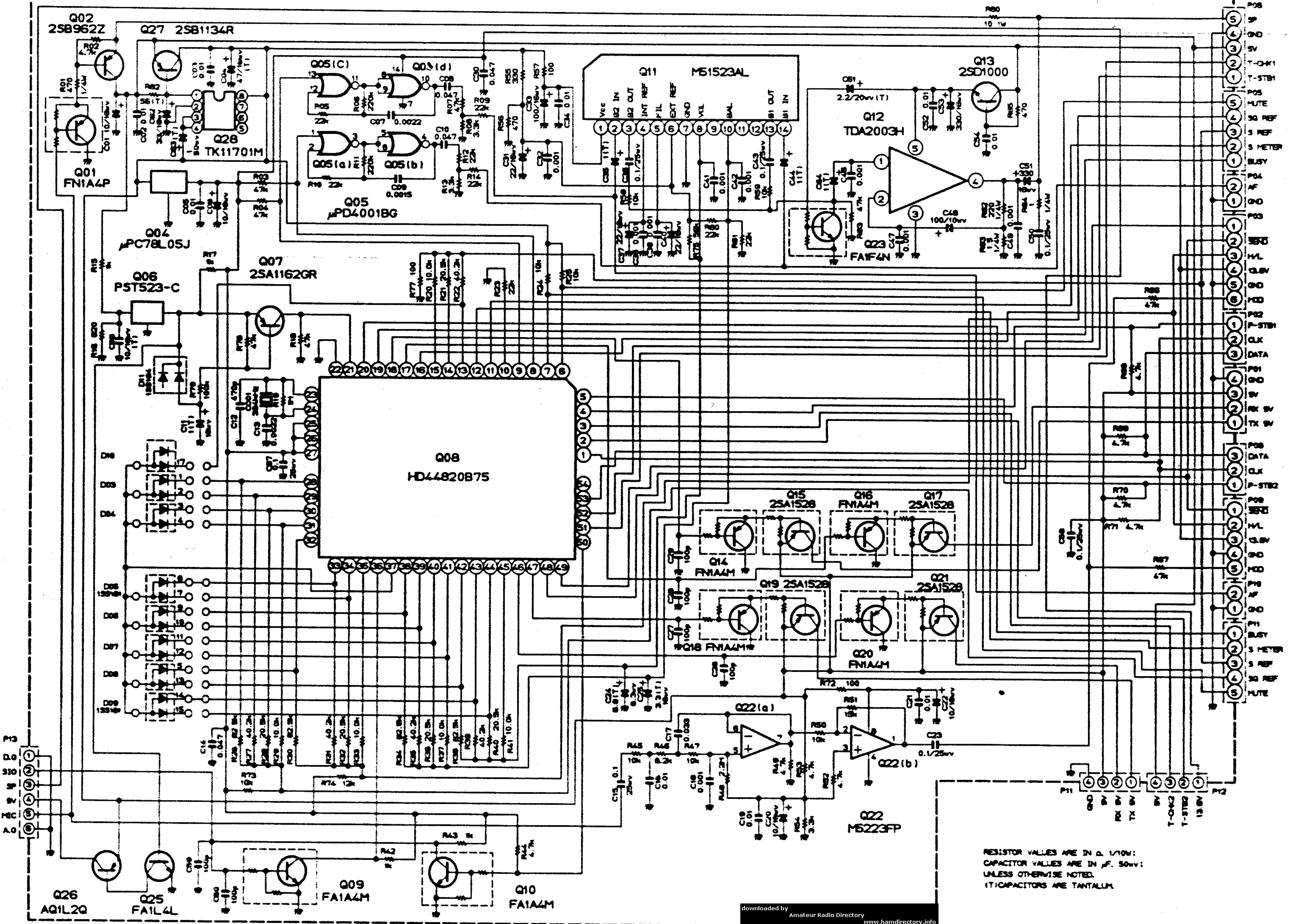
RESISTOR VALUES ARE IN Ω, 1/10W;
 CAPACITOR VALUES ARE IN μF, 16V;
 INDUCTOR VALUES ARE IN HENRIES, UNLESS OTHERWISE NOTED.
 (T) CAPACITORS ARE TANTALUM.

144MHz MAIN UNIT F2991000 (No.1xxx)



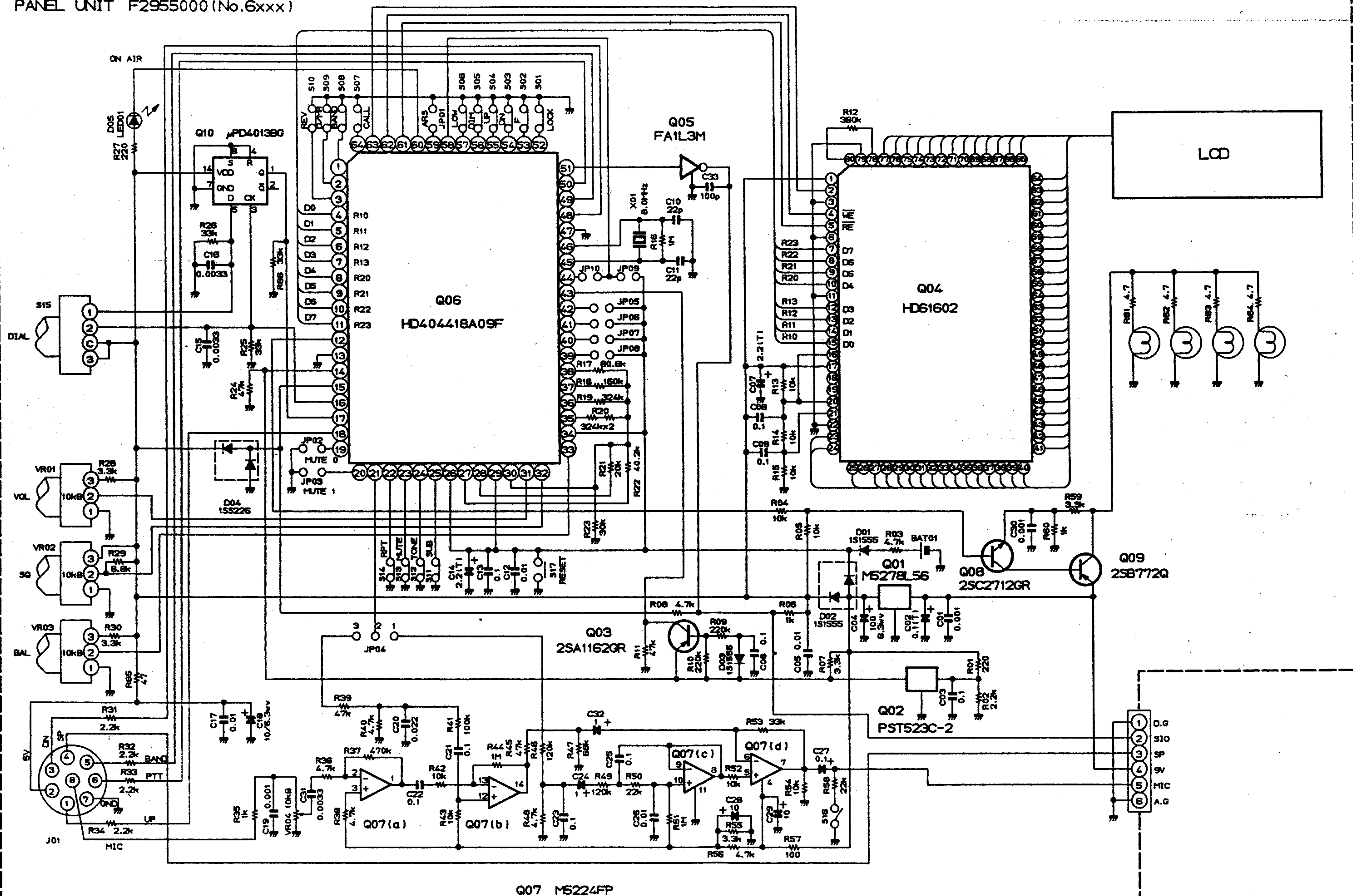
RESISTOR VALUES ARE IN Ω , 1/10W;
CAPACITOR VALUES ARE IN μ F, 16V;
INDUCTOR VALUES ARE IN HENRIES, UNLESS OTHERWISE NOTED.
(T) CAPACITORS ARE TANTALUM.

CNTL UNIT F2960101B (No.5xxx)



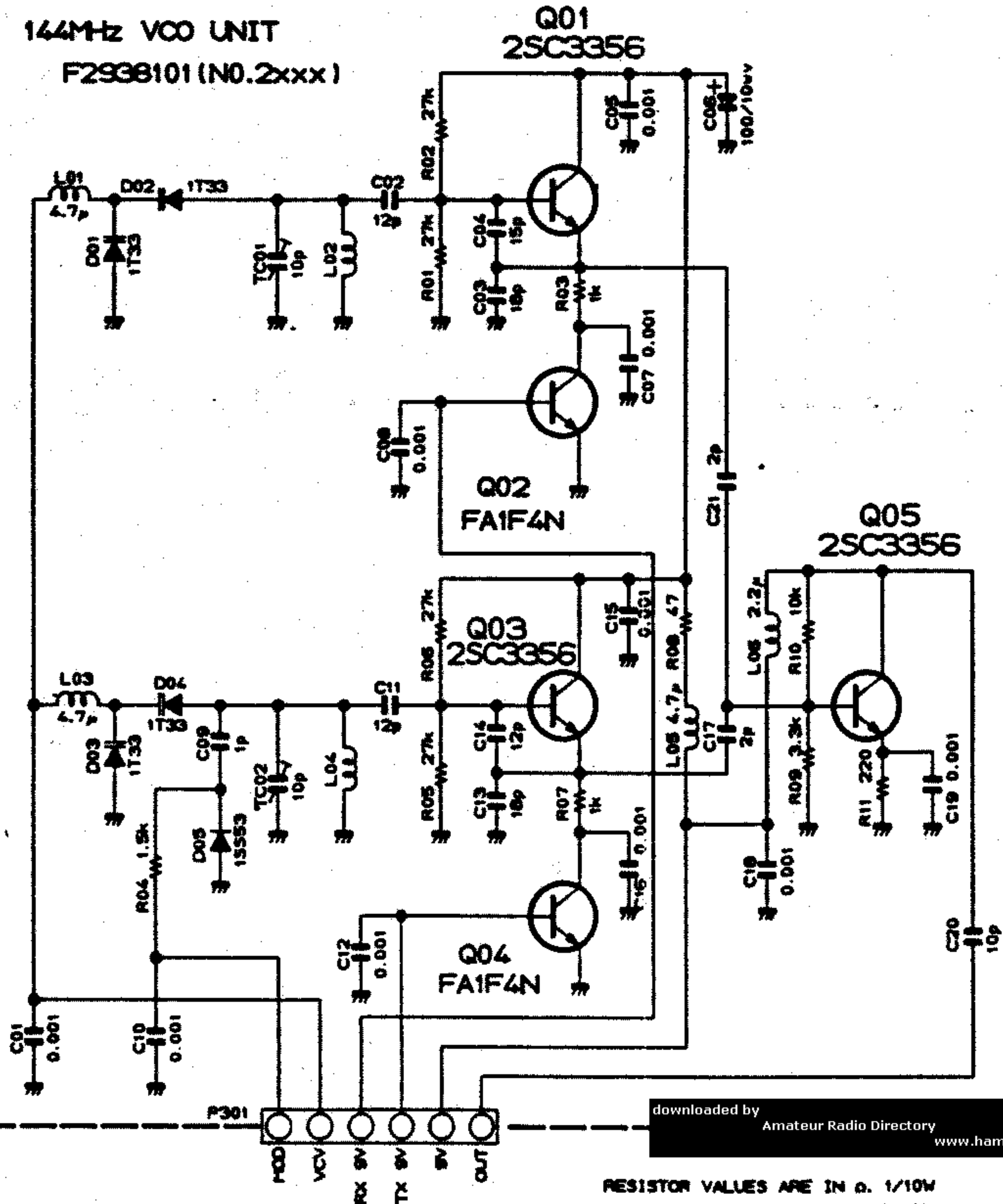
RESISTOR VALUES ARE IN Ω, 1/10Ω;
CAPACITOR VALUES ARE IN μF, 50μV;
UNLESS OTHERWISE NOTED,
†(†)CAPACITORS ARE TANTALUM.

PANEL UNIT F2955000 (No.6xxx)



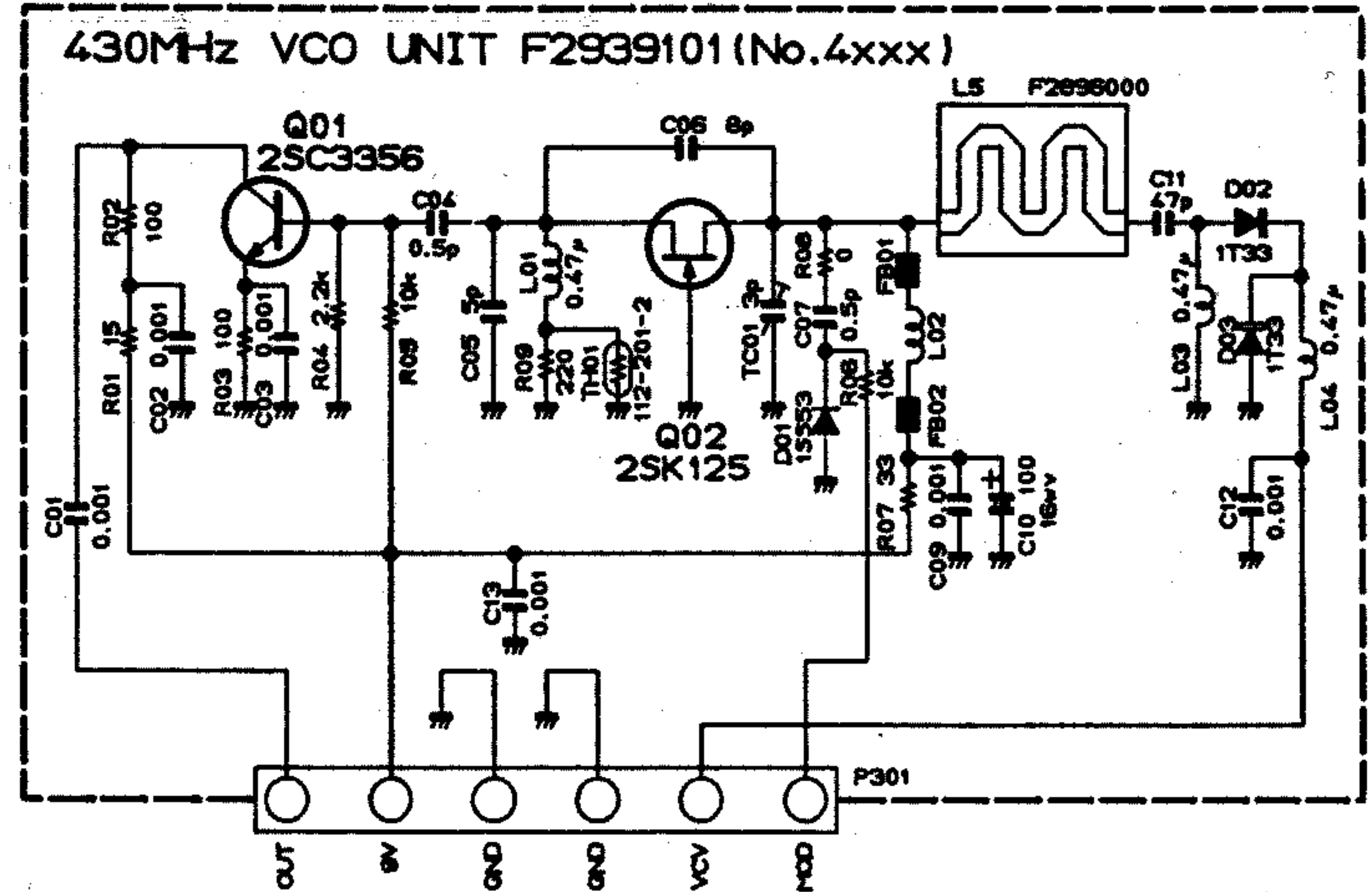
RESISTOR VALUES ARE IN Ω, 1/10W;
CAPACITOR VALUES ARE IN μF, 16V;
UNLESS OTHERWISE NOTED.
(T)CAPACITORS ARE TANTALUM.

144MHz VCO UNIT
F2938101 (NO.2xxx)



RESISTOR VALUES ARE IN Ω, 1/10W
CAPACITOR VALUES ARE IN μF, 50V;
INDUCTOR VALUES ARE IN H; UNLESS OTHERWISE NOTED.

430MHz VCO UNIT F2939101 (No.4xxx)



RESISTOR VALUES ARE IN Ω, 1/10W;
CAPACITOR VALUES ARE IN μF, 50V;
INDUCTOR VALUES ARE IN H;
UNLESS OTHERWISE NOTED.