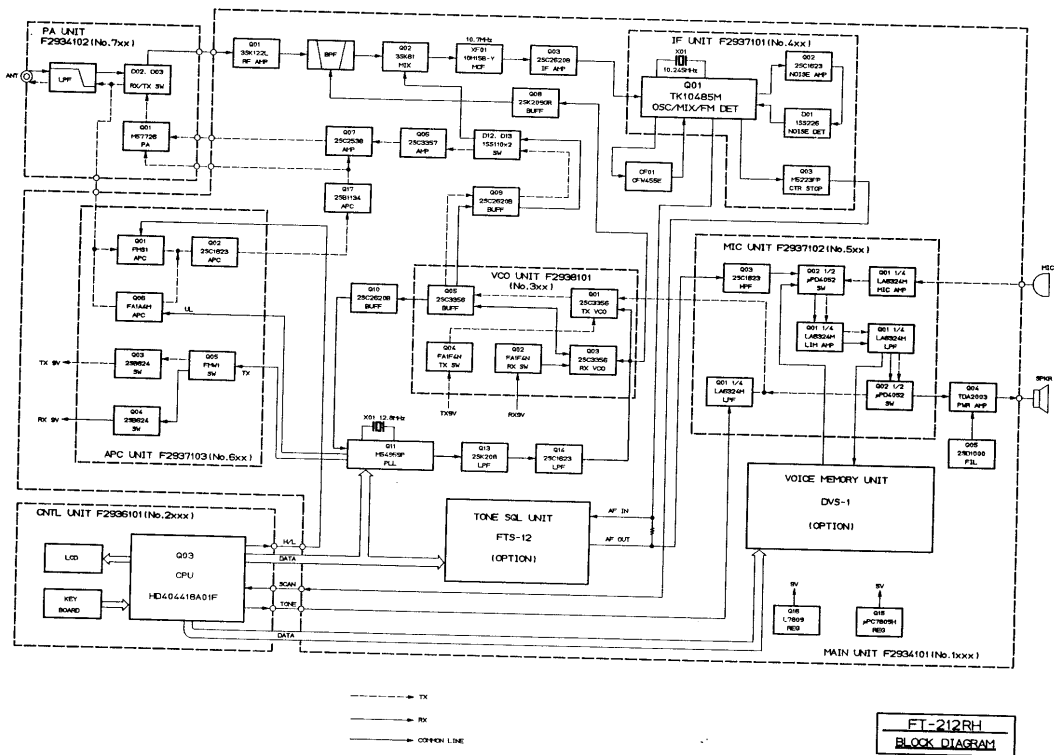
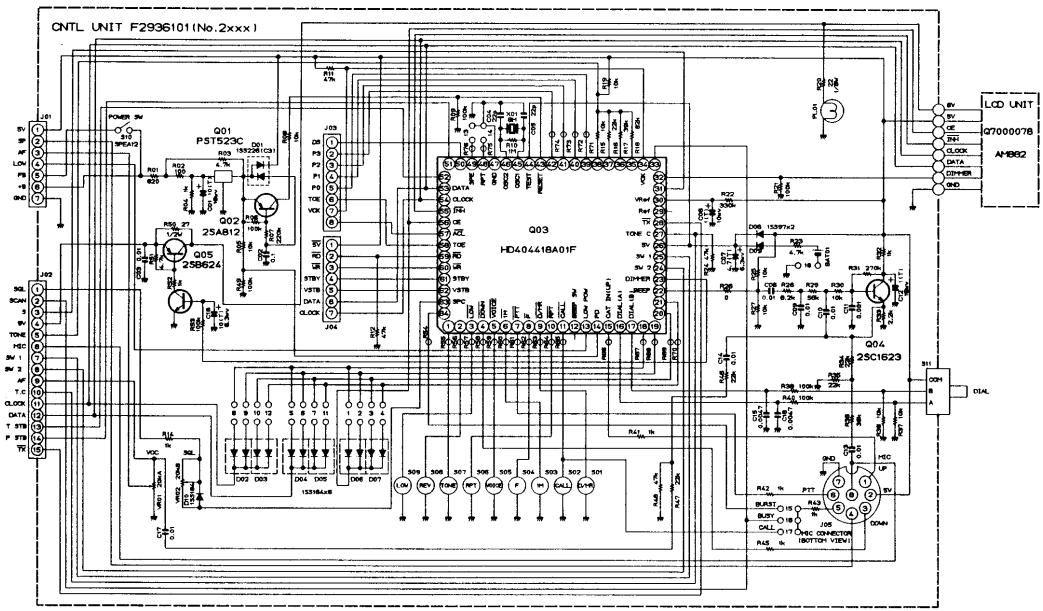


Downloaded by
RadioAmateur.EU





RESISTOR VALUES ARE IN Ω , $\frac{1}{10}\Omega$,
 CAPACITOR VALUES ARE IN μ F, 500nF,
 UNLESS OTHERWISE NOTED.
 (†) FACTORS ARE DASH/ALL.

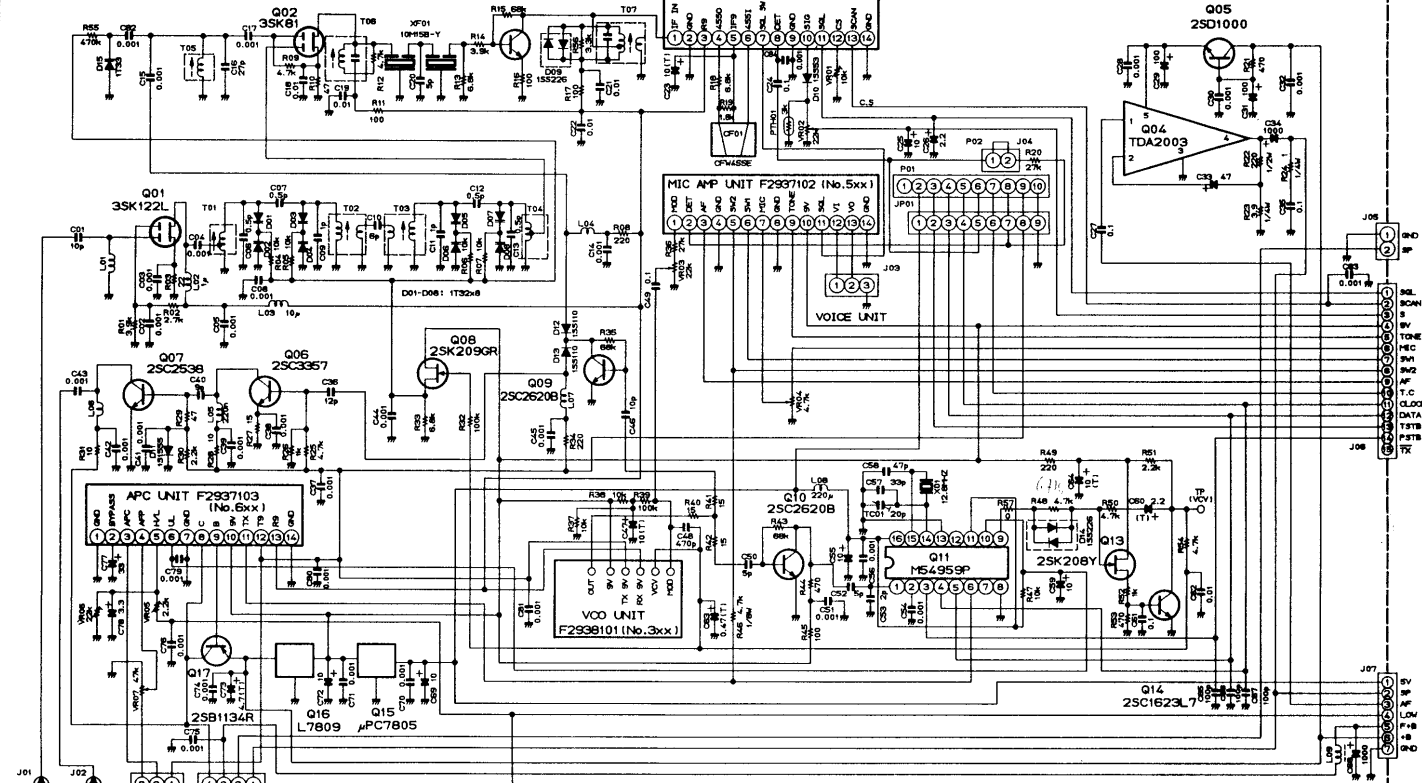
R54, R56, R61, R65, R66: 220 Ω
 R55, R57
 R58, R60: 150k Ω
 R62, R64
 R67, R76
 R44: OUT OF LINE

MAIN UNIT F2934101 (No.1xxx)

Q03 25C2620B

IF UNIT F2937101 (No.4xxx)

Q05
25D1000



PA UNIT F2934102 (No.7xx)

Q01
MS7715 (10W)
MS7726 (45W)

PA UNIT F2934102 (NO.7xx)

RESISTOR VALUES ARE IN Ω , 1/10W;
CAPACITOR VALUES ARE IN μ F, 50V;
INDUCTOR VALUES ARE IN mH;
ELECTROLYTIC CAPACITOR VALUES ARE IN μ F, 16V;
UNLESS OTHERWISE NOTED,
(T)CAPACITORS ARE TANTALUM.

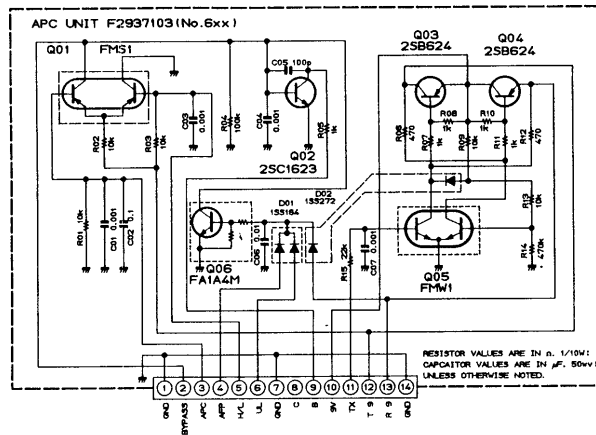
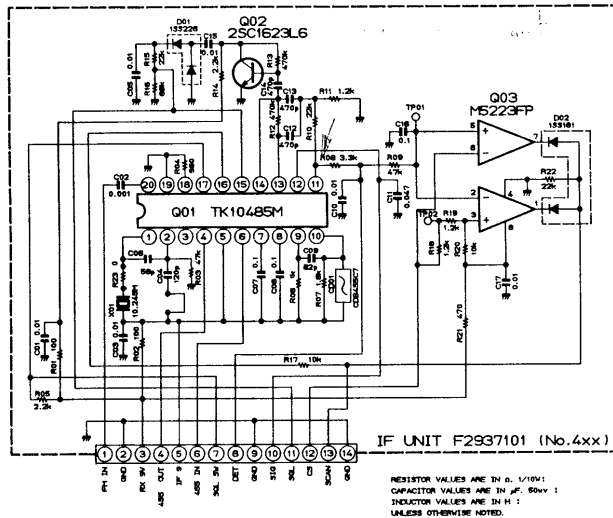
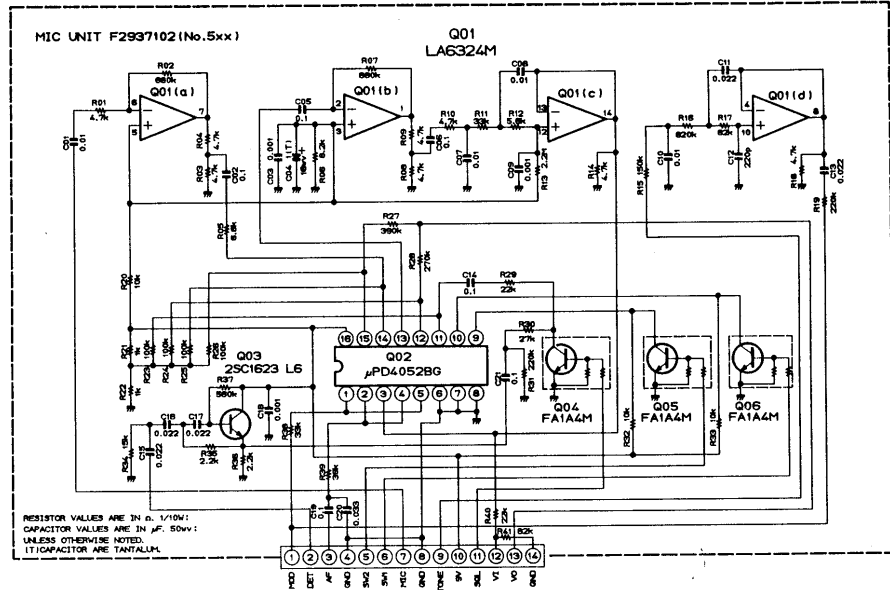
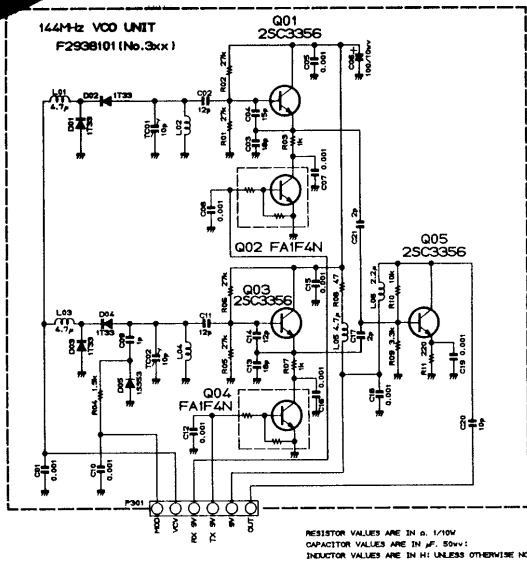
Q01	Q02	Q04	Q11	Q20
45V 1W7726	1P4040	3A 27V 27V		
10W 1W7715	1P4107	100	500	27V

RESISTOR VALUES ARE IN Ω , 1/10W;
CAPACITOR VALUES ARE IN μ F, 50V;
INDUCTOR VALUES ARE IN mH;
ELECTROLYTIC CAPACITOR VALUES ARE IN μ F, 16V;
UNLESS OTHERWISE NOTED.

Scanned by IW1AXR

Downloaded by
RadioAmateur.EU

FT-212 Circuit Diagram



Downloaded by
RadioAmateur.EU