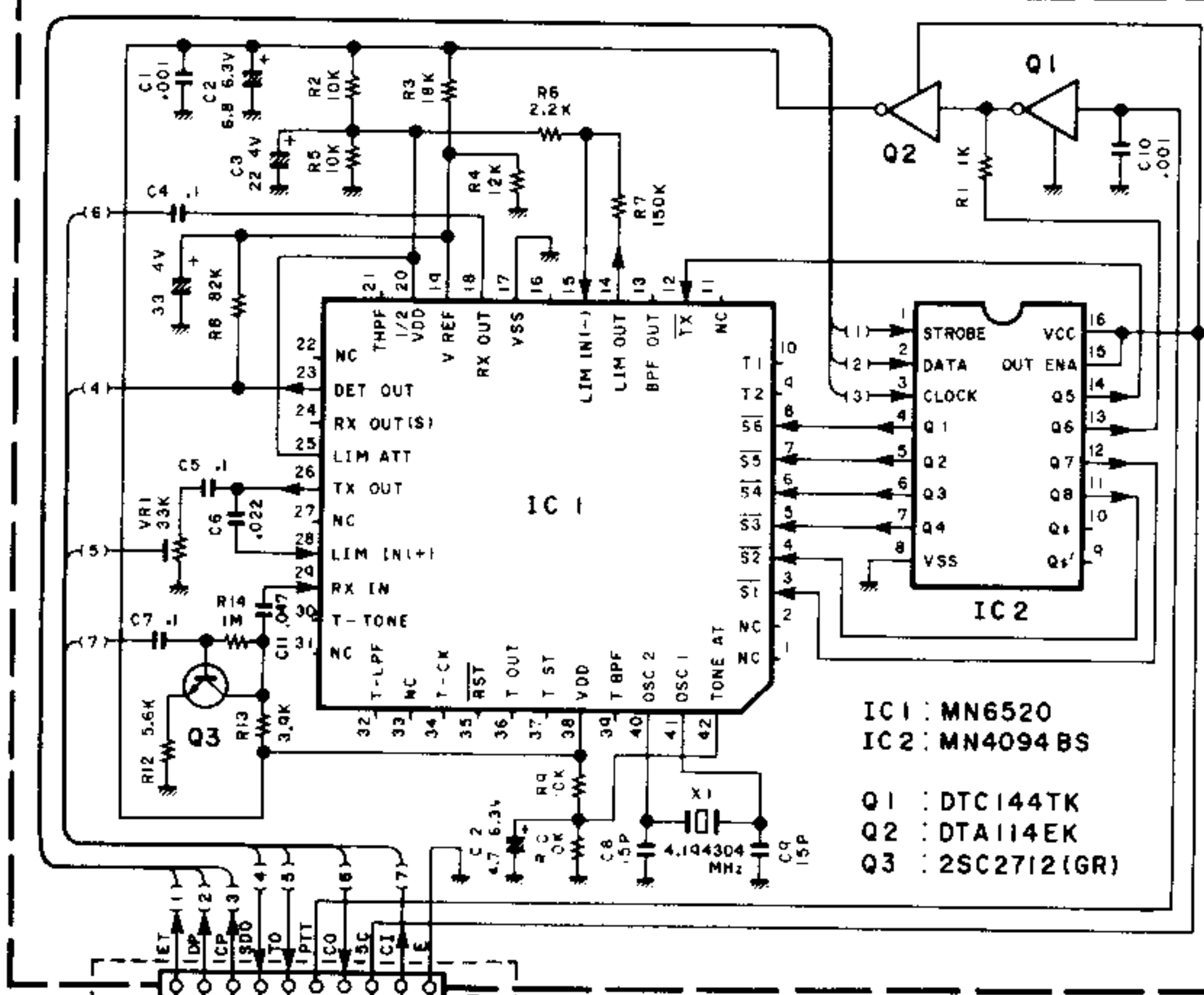
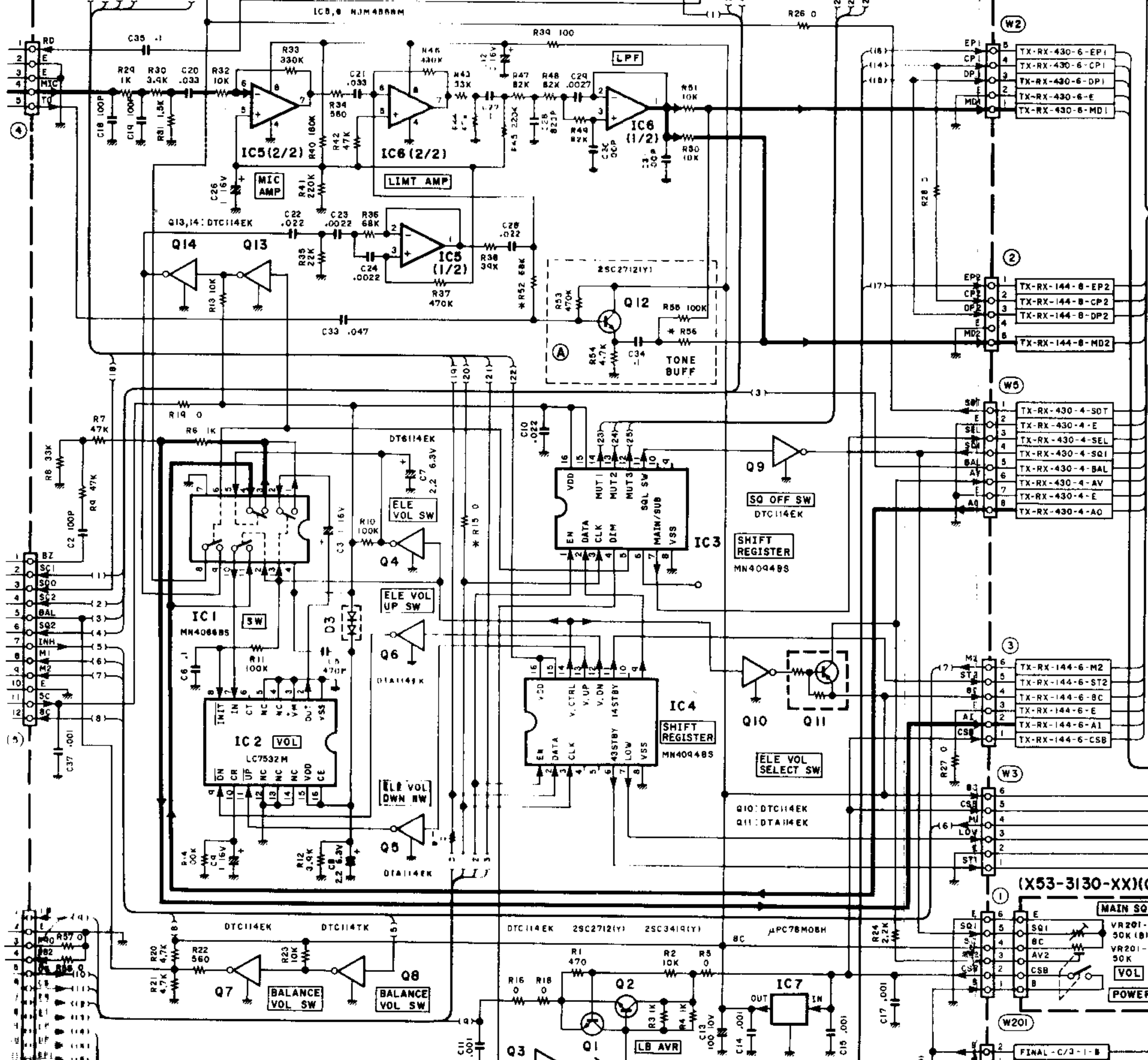


5. TM-721A/721E SCHEMATIC DIAGRAM

TSU-6 CTCSS UNIT (X52-3100-00) (OPTION) TM-721A(K,M) ONLY

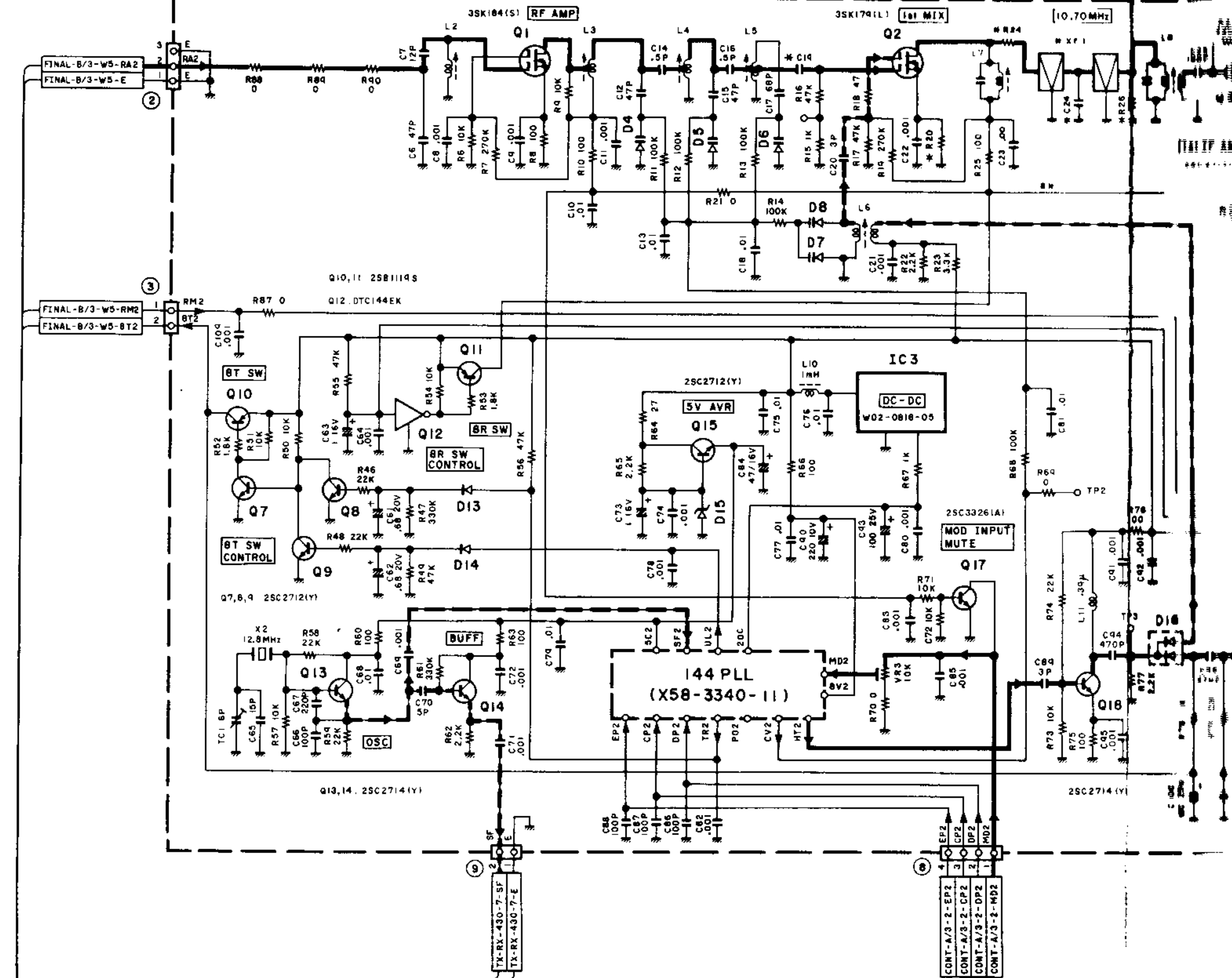


CONTROL UNIT (X53-3130-XX) (A/3) 0-11: TM-721A(K) 0-21: TM-721A(M), TM-721E(T,W)

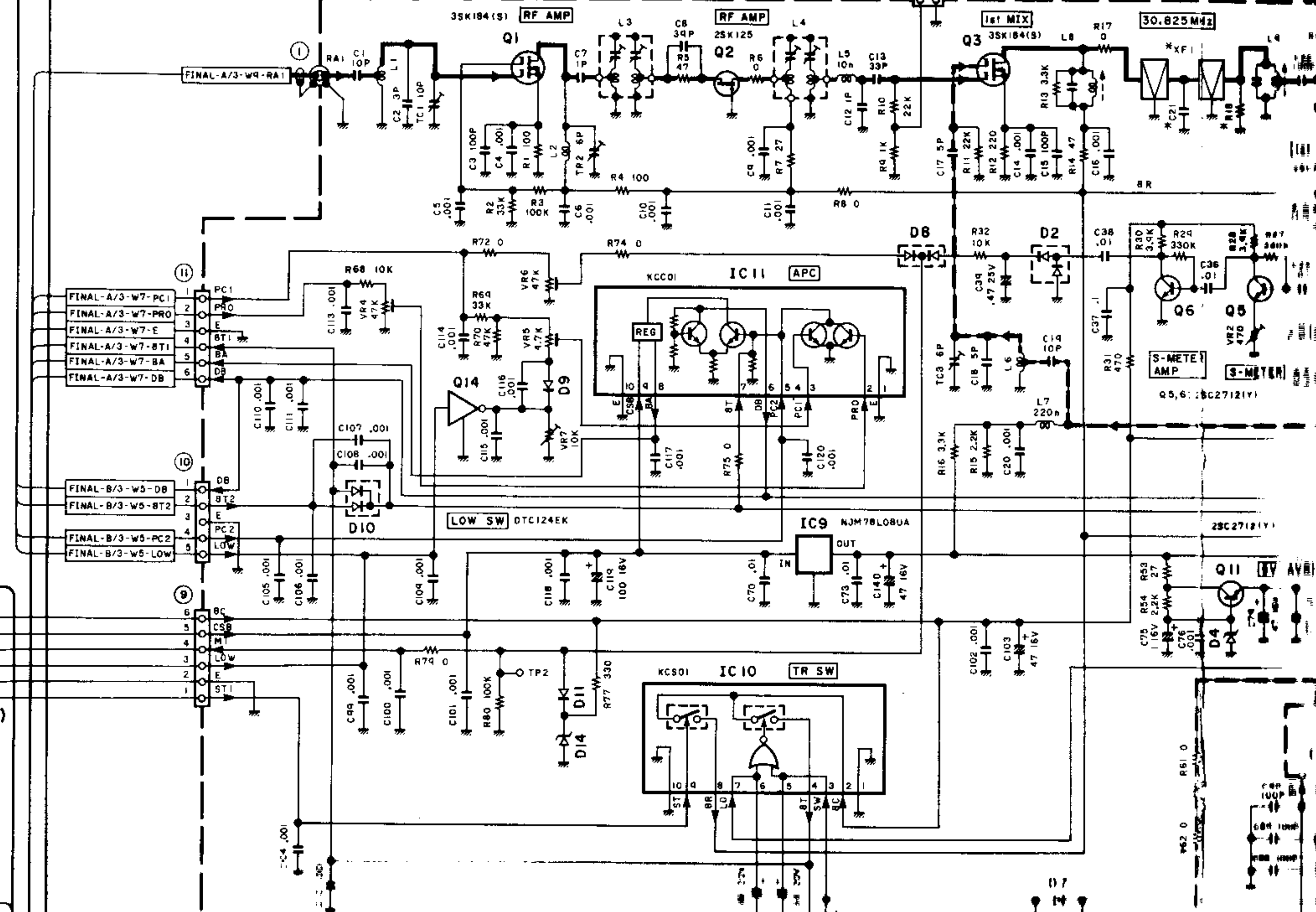


Downloaded by
Amateur Radio Directory

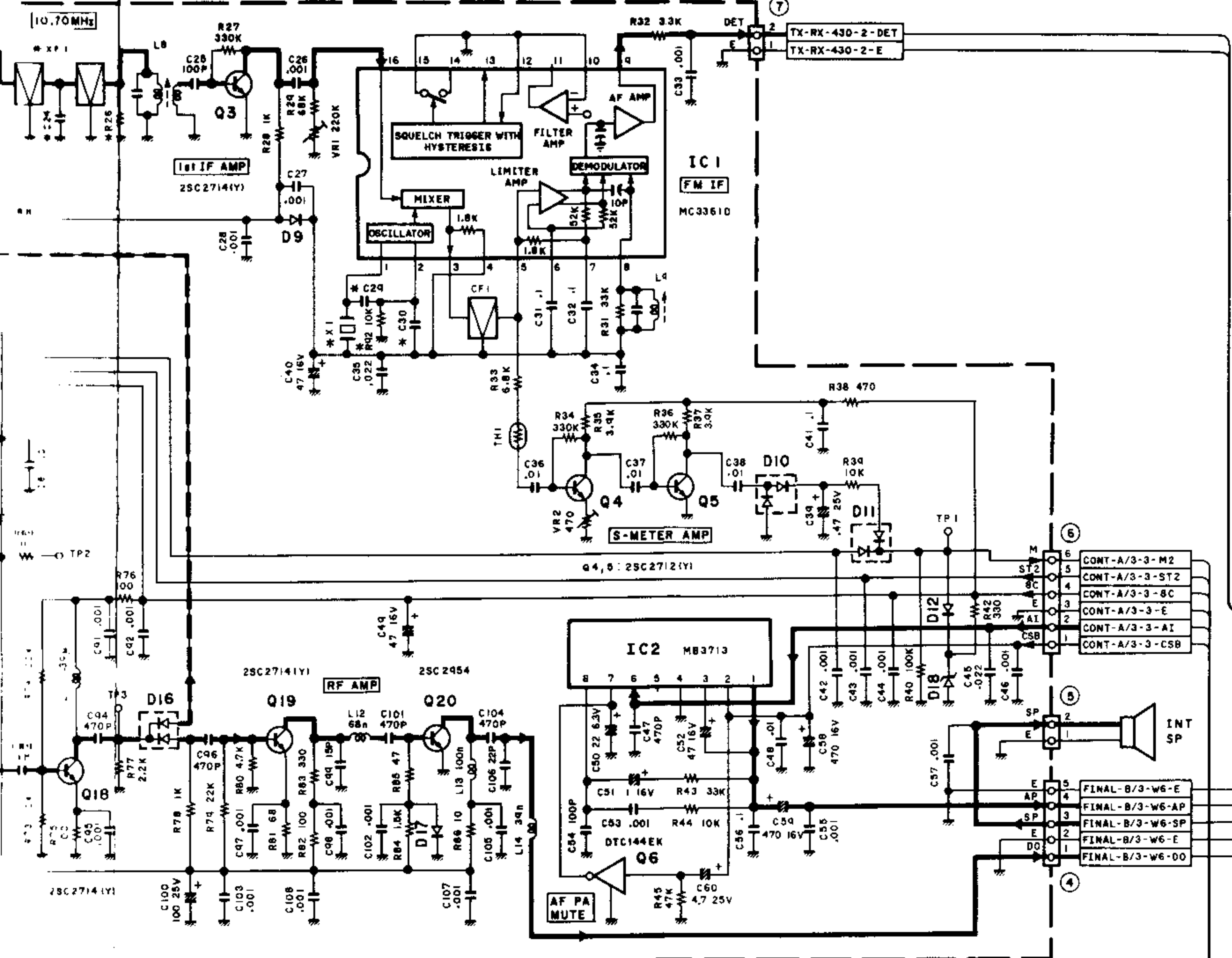
TX-RX (144MHz) UNIT (X57-3230-XX) 0-11: TM-721A(K) 0-21: TM-721A(M), TM-721E(T,W)



TX-RX (430/440MHz) UNIT (X57-3210-XX) 0-11: TM-721A(K) (440MHz)

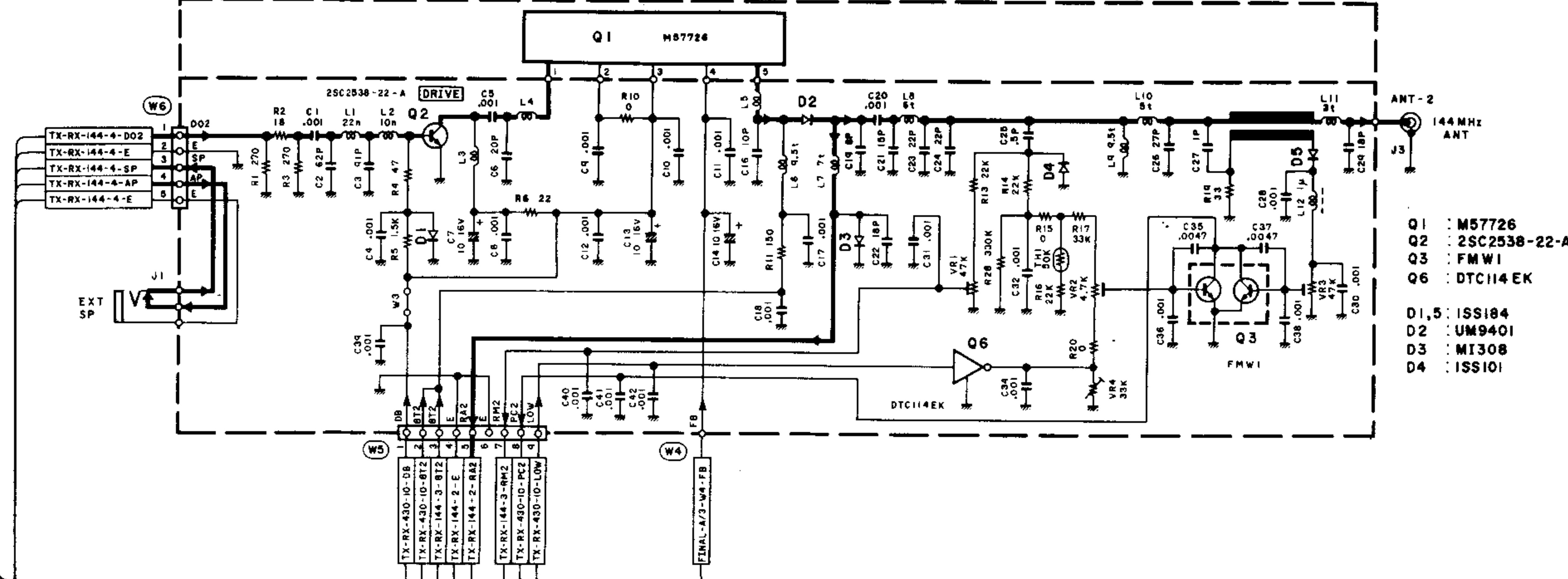


IL(T,W)



R20	R24	R26	R41	R42	C19	C24	C29	C30	X1	XF1
0-11 TM-721A(K)	220	0	2.2K	YES	YES	4P	7P	100P	5P	L77-1364-L71-0274
0-21 TM-721A(M), -721E(T,W)	47	1.8K	4.7K	NO	NO	18P	34P	100P	L77-0947-L71-0228	

FINAL UNIT (X45-3180-XX) (B/3) 0-11: TM-721A(K) 0-21: TM-721A(M) 0-51: TM-721E(T,W)

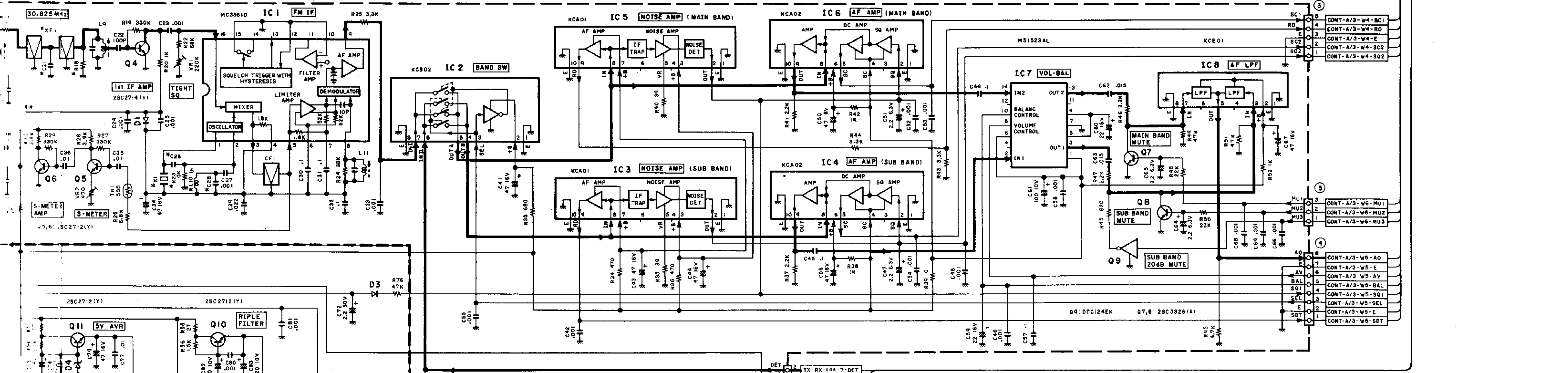


- Q1 : M57726
- Q2 : 2SC2538-22-A
- Q3 : FMW1
- Q6 : DTC114EK
- D1,5 : ISS104
- D2 : UM9401
- D3 : MT308
- D4 : ISS101

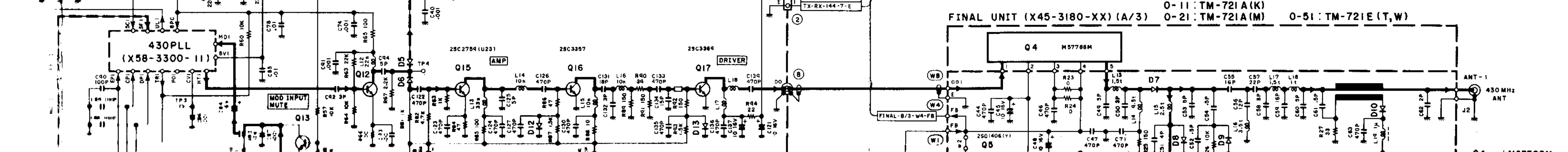
Downloaded by

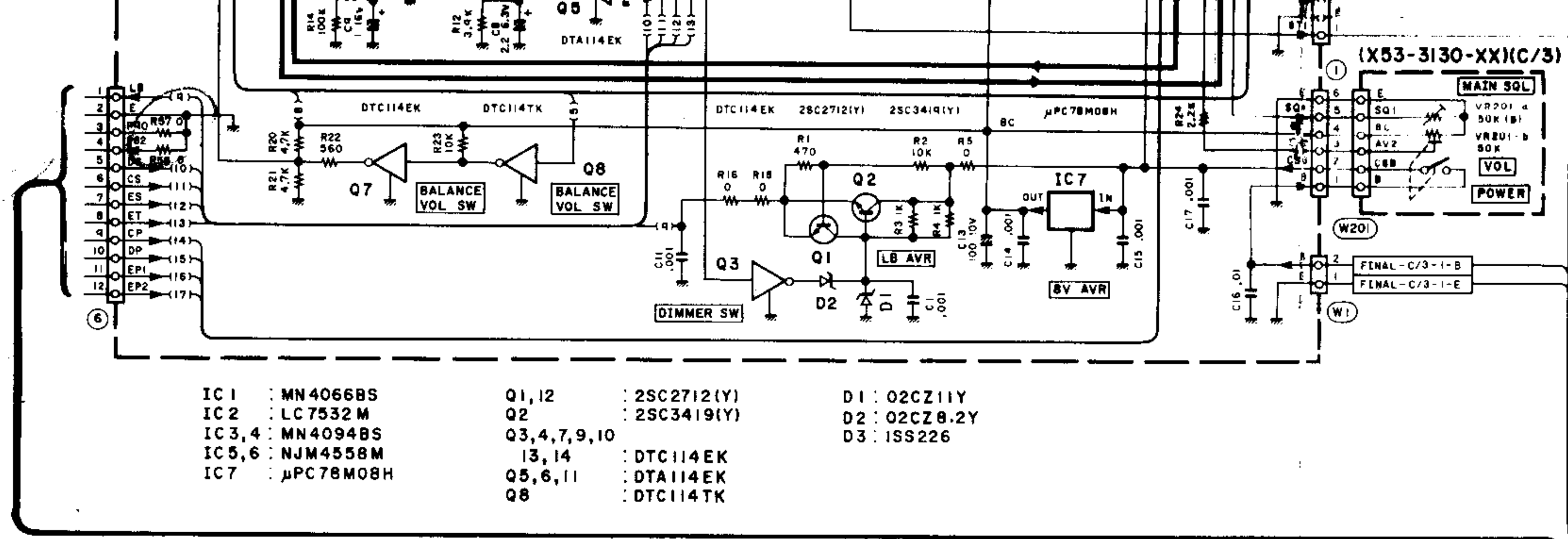
 Amateur Radio Directory

TM-721A(K) (440MHz) 0-01: TM-721A(M), TM-721E(T,W) (430MHz)

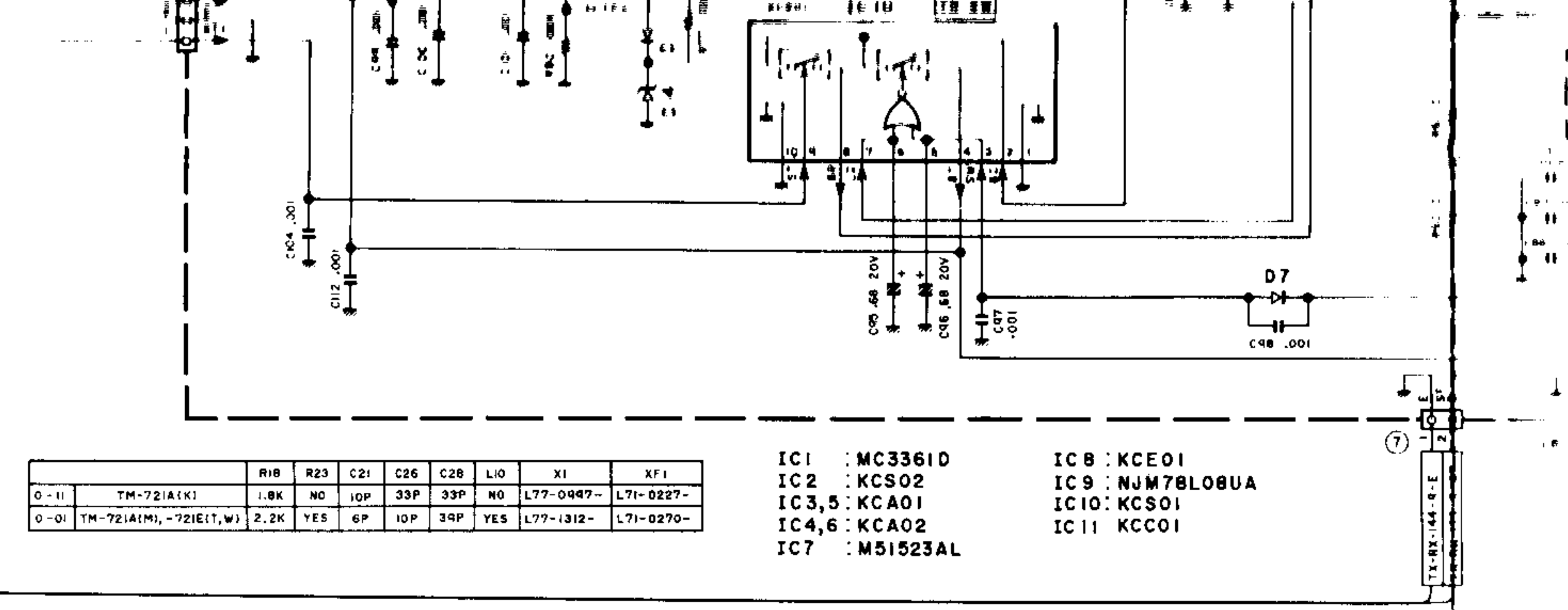


FINAL UNIT (X45-3180-XX) (A/3) 0-11: TM-721A(K) 0-21: TM-721A(M) 0-51: TM-721E(T,W)



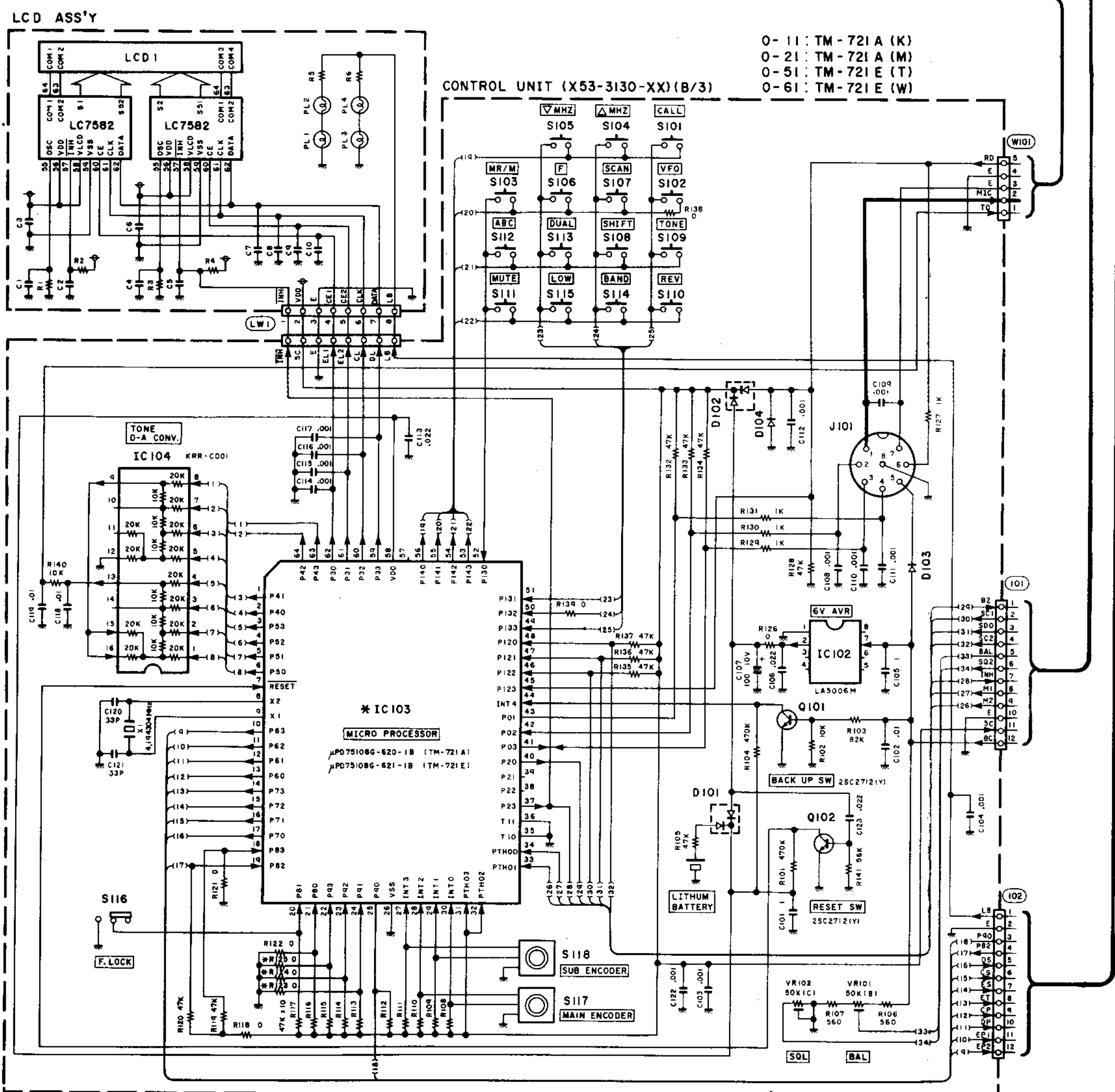


- IC 1 : MN4066BS
- IC 2 : LC 7532 M
- IC 3, 4 : MN4094BS
- IC 5, 6 : NJM4558M
- IC 7 : μPC78M08H
- Q1, 12 : 2SC2712(Y)
- Q2 : 2SC3419(Y)
- Q3, 4, 7, 9, 10 : DTC114EK
- 13, 14 : DTC114EK
- Q5, 6, 11 : DTA114EK
- Q8 : DTC114TK
- D1 : 02CZ11Y
- D2 : 02CZ8.2Y
- D3 : ISS226



- IC 1 : MC33610
- IC 2 : KCS02
- IC 3, 5 : KCA01
- IC 4, 6 : KCA02
- IC 7 : M51523AL
- IC 8 : KCE01
- IC 9 : NJM78L08UA
- IC 10 : KCS01
- IC 11 : KCC01

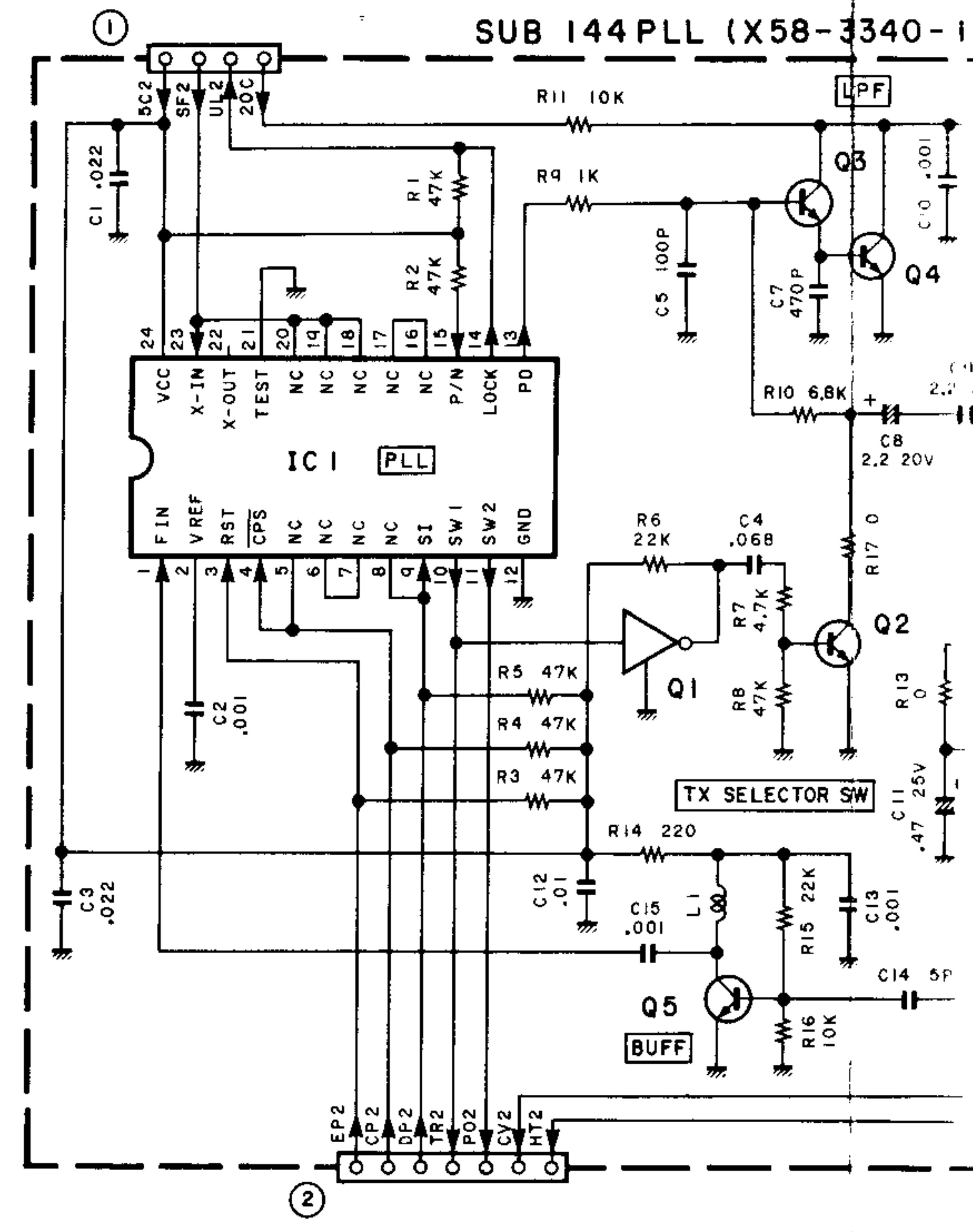
Downloaded by
Amateur Radio Directory

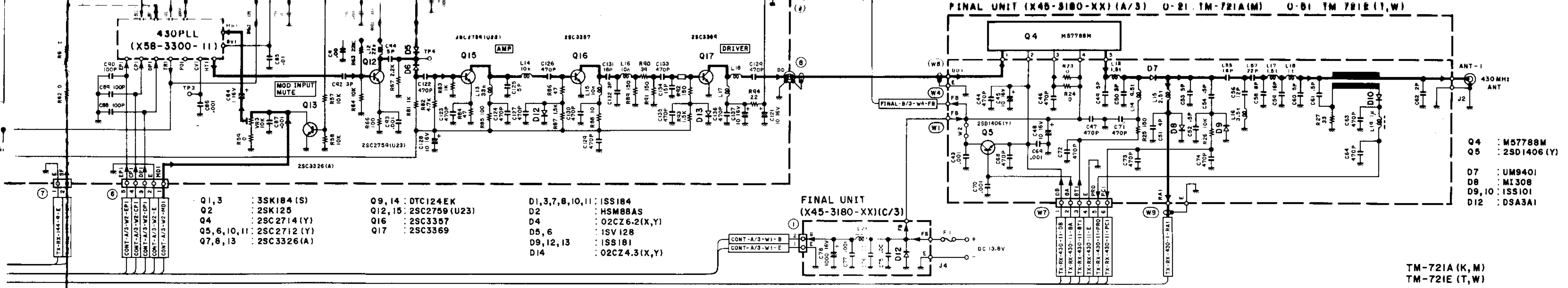


- O-11 : TM-721 A (K)
- O-21 : TM-721 A (M)
- O-51 : TM-721 E (T)
- O-61 : TM-721 E (W)

- IC102 : LA5006M
- * IC103 : μPD751086-XXX-1B
- IC104 : KRR-C001
- Q101, 102 : 2SC2712(Y)
- D101, 102, 104 : ISS184
- D103 : RLS-73

	Q	D	IC103	R18	R22	R26	R23	R24	R25
O-11	TM-721A (K)	YES	YES	-620-	YES	NO	100K	NO	YES
O-21	TM-721A (M)	YES	YES	-620-	YES	NO	100K	NO	YES
O-51	TM-721E (T)	NO	NO	-621-	NO	YES	MP	NO	NO
O-61	TM-721E (W)	NO	NO	-621-	NO	YES	MP	YES	YES

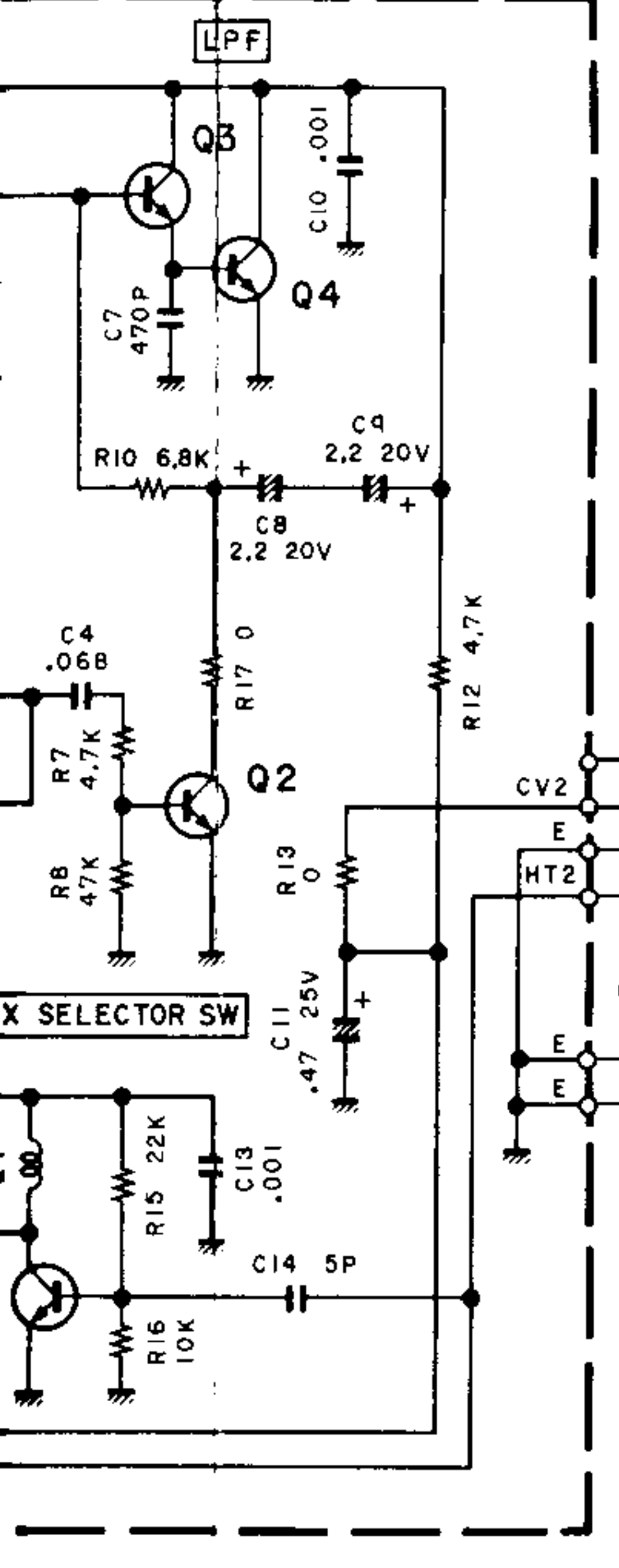




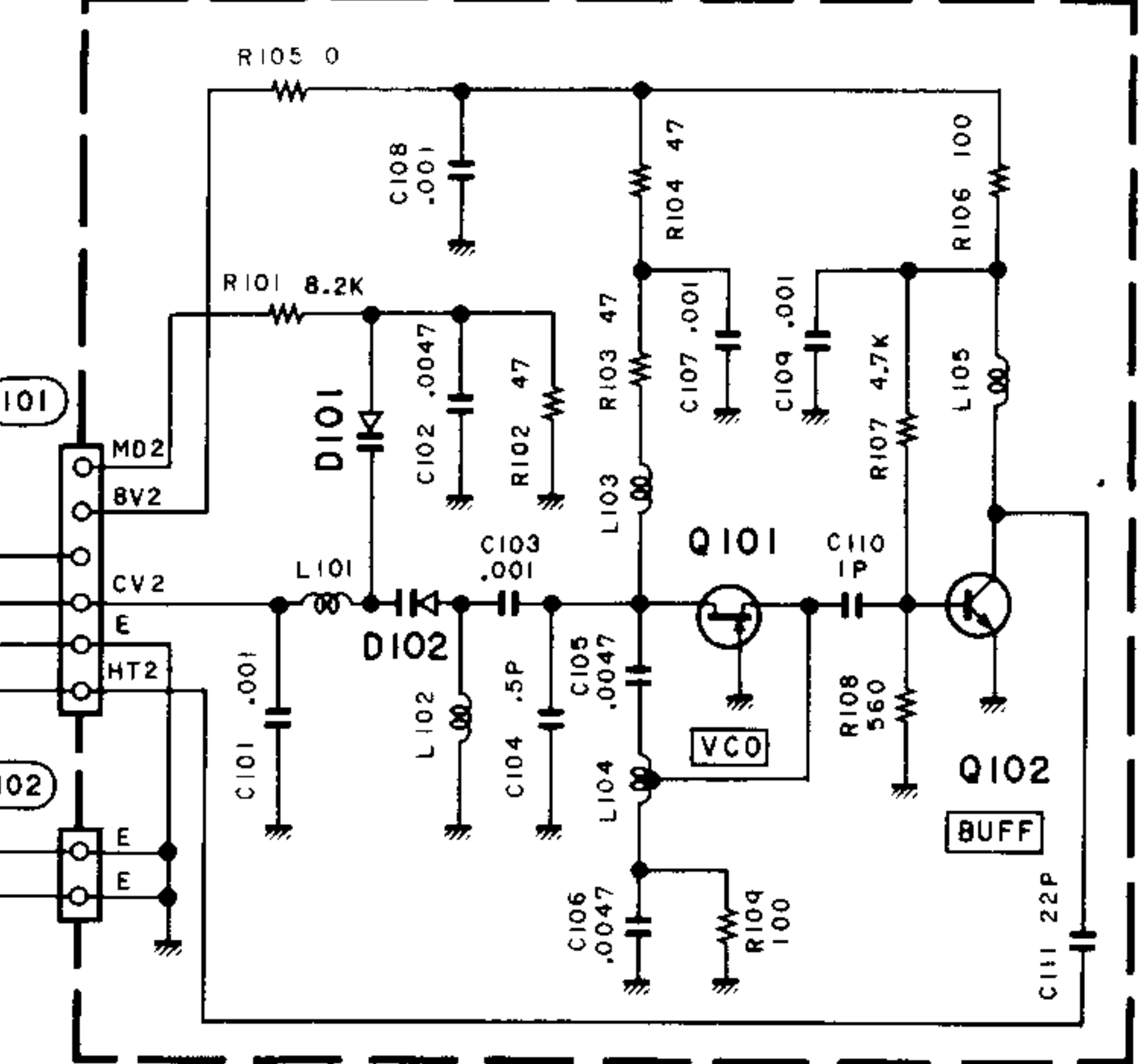
Downloaded by

Amateur Radio Directory

(X58-3340-11)(A/2)

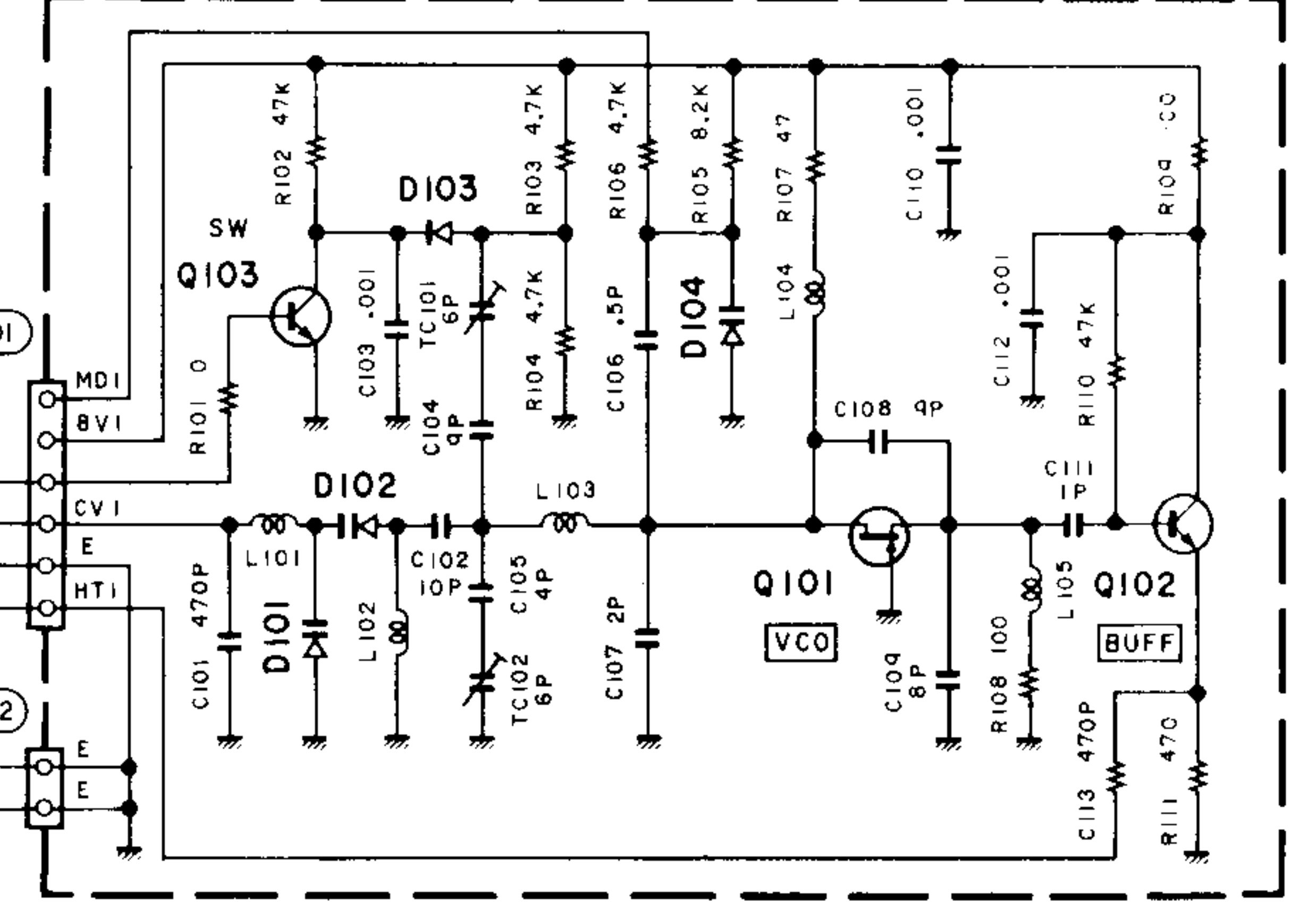


SUB 144 PLL (X58-3340-11)(B/2)



- IC 1 : M54959FP**
- Q1 : DTC144 EK**
Q2 : 2SC2712 (Y)
Q3,4 : 2SC3324 (B)
Q5 : 2SC2714 (Y)
- Q101 : 2SK508 (K52)**
Q102 : 2SC3120
- D101,102 : ISV166**

SUB 430 PLL (X58-3330-11)(B/2)



- IC 1 : M54959FP**
- Q1 ~ 3 : 2SC3324 (B)**
Q4 : 2SC3120
- Q101 : 2SK508 (K52)**
Q102 : 2SC3120
Q103 : 2SC2712 (Y)
- D101,102,104 : ISV164**
D103 : HSK277

Note: _____
Circuit is subject to change without notice due to advancements in technology.