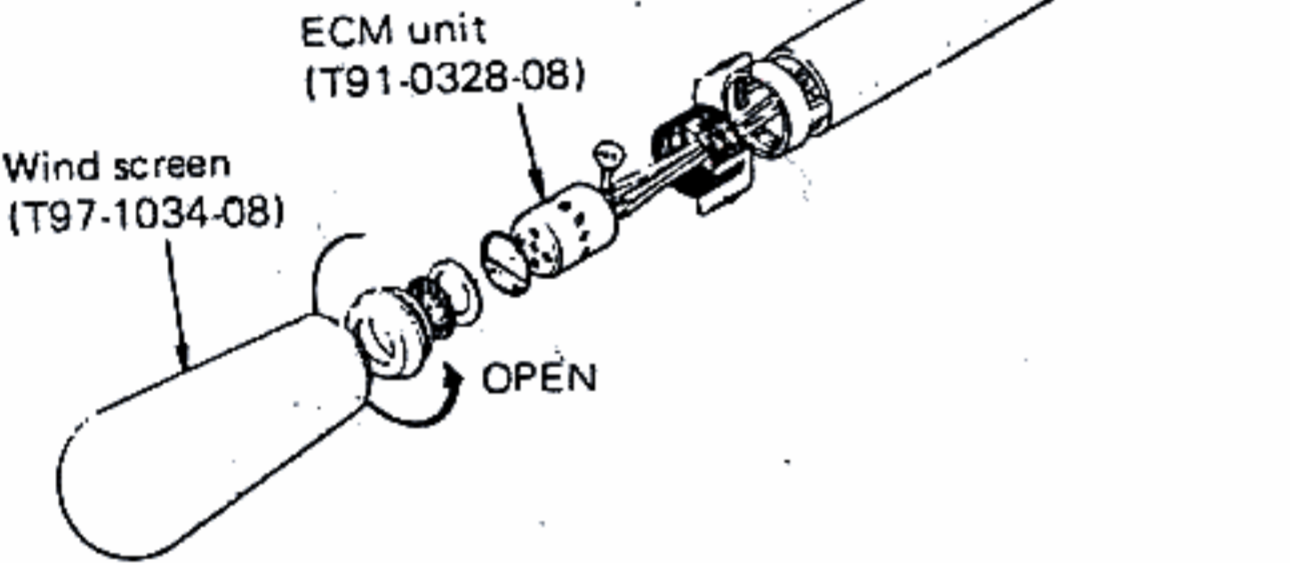
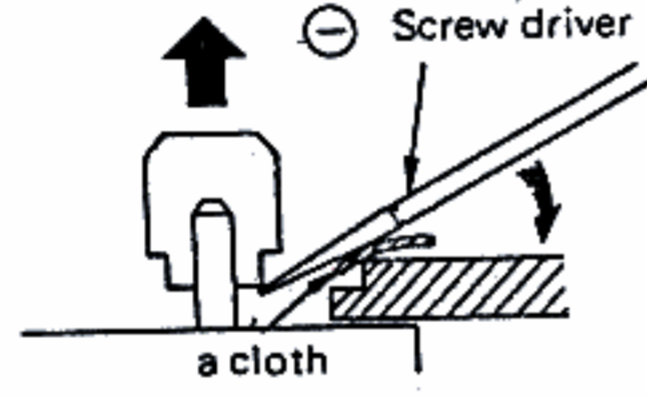


MC-85 DISASSEMBLY
Mic ass'y (T91-0340-08)



MC-85 REMOVAL METHOD



MC-85 SPECIFICATIONS

- Type Unidirectional electret condenser microphone
- Impedance Approx. 700Ω
- Sensitivity MIC LEVEL MAX
COMP.OFF -40dB±6dB
COMP.IN -34dB±6dB
- Frequency response NORMAL 300-7000Hz
LOW CUT Approx. -12dB/300Hz

- Speech compressor Maximum compression level 35dB±3dB
Maximum input level -30dB±4dB
- Power supply 6V ("AA" batteries 1.5V x 4)
Batteries not supplied.
- Current consumption Receive Approx. 9mA
Transmit Approx. 11mA
- Weight Approx. 1kg (2.2lbs)

Schematheek
Beh. T. Hultermans
Postbus 4228
5604 EE Eindhoven

Downloaded by
Amateur Radio Directory
www.hamdirectory.info

