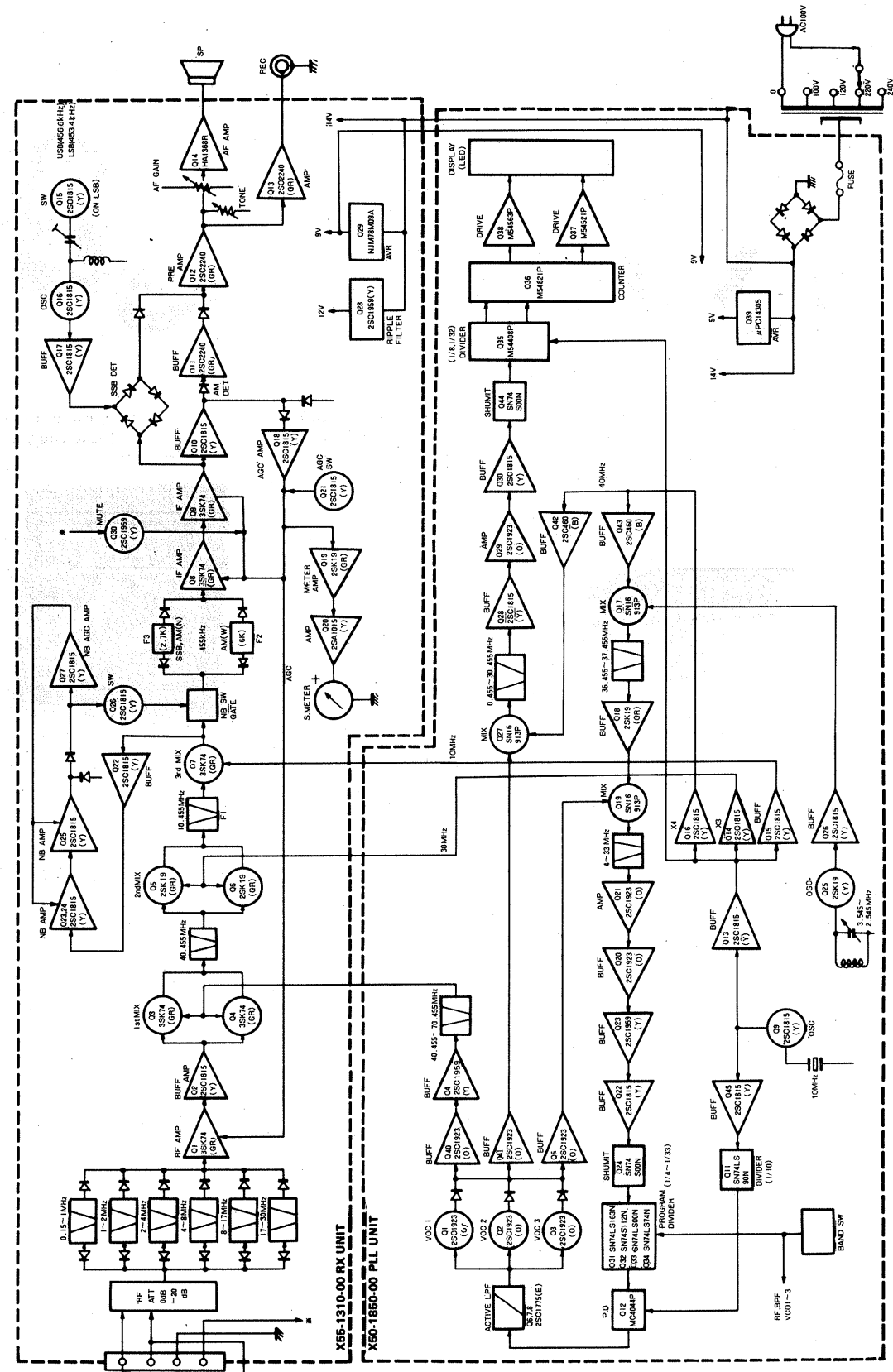


# BLOCK DIAGRAM BLOCKSCHALTBIKD

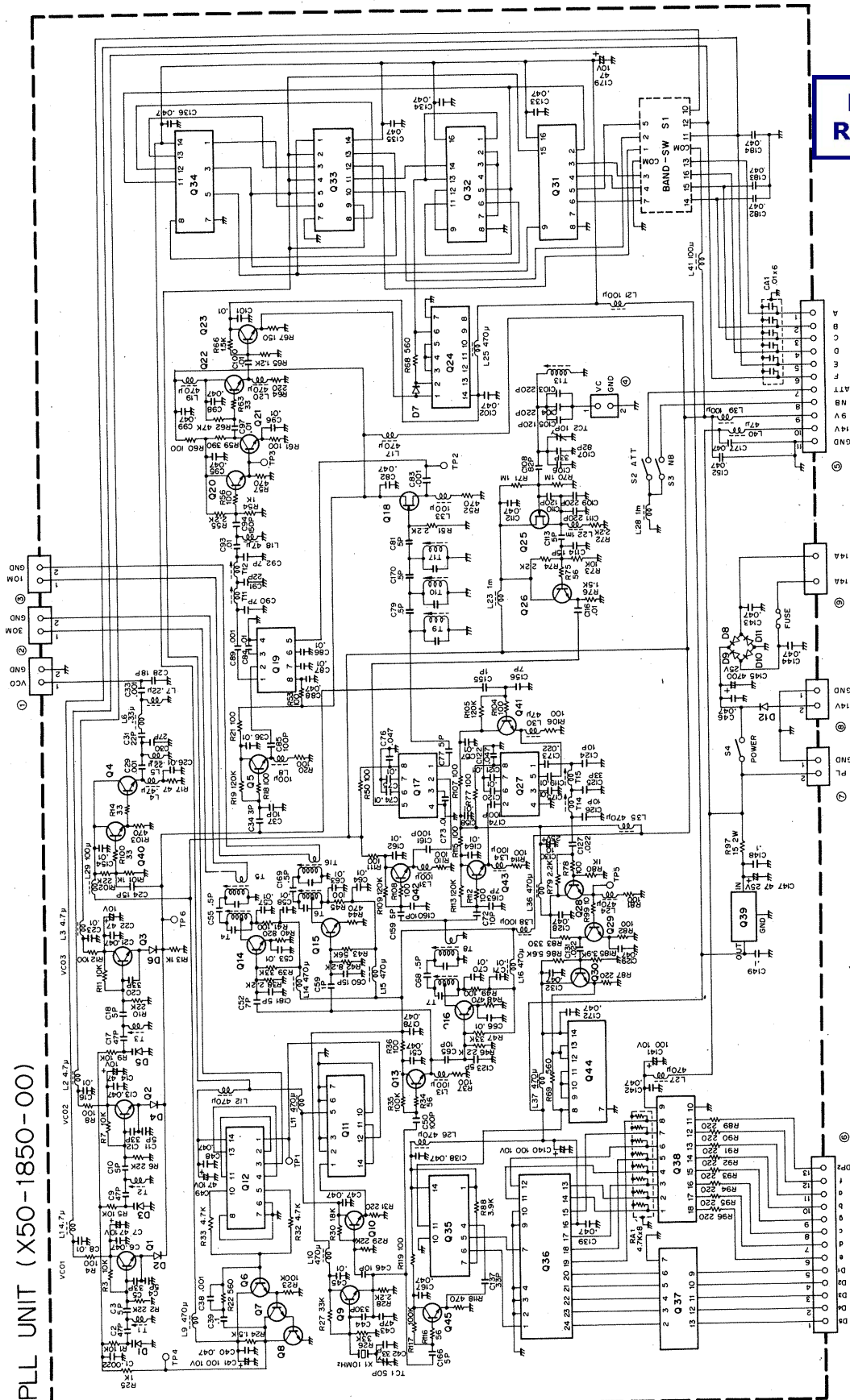
# DIAGRAMME SYNOPTIQUE DIAGRAMA ESQUEMATICO



Downloaded by  
RadioAmateur.EU

# SCHEMATIC DIAGRAM SCHEMATISCHES SCHALTBILD

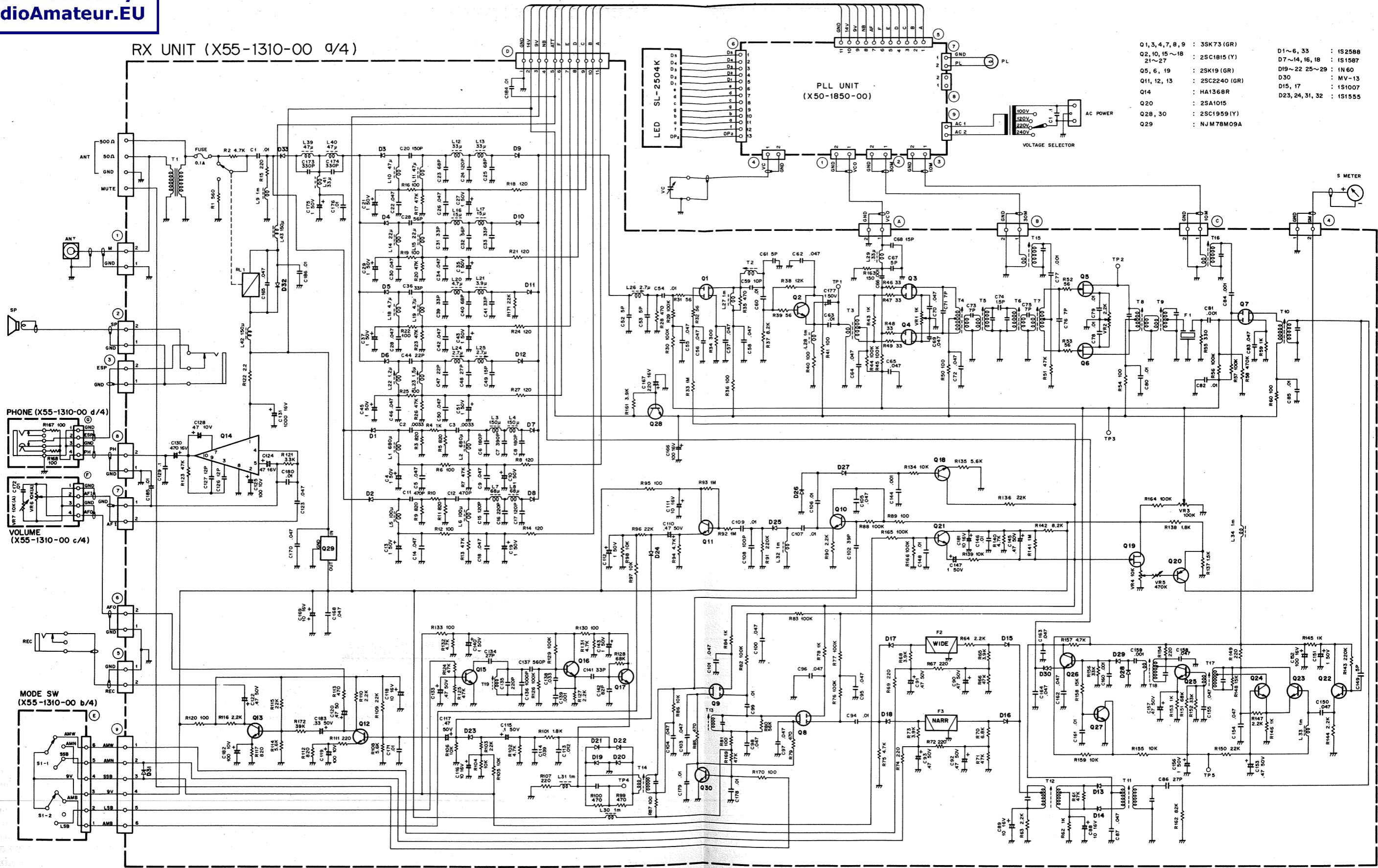
# SCHEMA SIMPLIFIE DIAGRAMA DEL CIRCUITO



PLL UNIT (X50-1850-00)

Downloaded by  
RadioAmateur.EU

- Q1-3, 5, 20, 21, 29 : MC-4044P
- 40, 41 : 25C1923(O)
- Q6, 7, 8 : 25C1775(E)
- Q9, 10, 13, 16, 22 : 25C1959(Y)
- 26, 28, 30, 45 : 25C1815(Y)
- Q11 : SN74LS90N
- Q12 : MC-4044P
- Q17, 19, 27 : SN16913P
- Q18 : 25K19(GR)
- Q25 : 25K19(Y)
- Q31 : SN74LS163N
- Q32 : SN74S112N
- Q33 : SN74LS00N
- Q34 : SN74LS74N
- Q35 : M54408P
- Q36 : M54821P
- Q37 : M54521P
- Q38 : M54563P
- Q39 : 74LS00N
- D1, 3, 5 : ISV546C
- D2, 4, 6, 7 : IS1587
- DB-12 : VO3C
- Q42, 43 : 25C460(B)



- |                   |                |                 |          |
|-------------------|----------------|-----------------|----------|
| Q1, 3, 4, 7, 8, 9 | : 3SK73 (GR)   | D1~6, 33        | : IS2588 |
| Q2, 10, 15, 18    | : 2SC1815 (Y)  | D7~14, 16, 18   | : IS1587 |
| 21~27             |                | D19~22 25~29    | : IN60   |
| Q5, 6, 19         | : 2SK19 (GR)   | D30             | : MV-13  |
| Q11, 12, 13       | : 2SC2240 (GR) | D15, 17         | : IS1007 |
| Q14               | : HA1368R      | D23, 24, 31, 32 | : IS1555 |
| Q20               | : 2SA1015      |                 |          |
| Q28, 30           | : 2SC1959 (Y)  |                 |          |
| Q29               | : NJM78M09A    |                 |          |