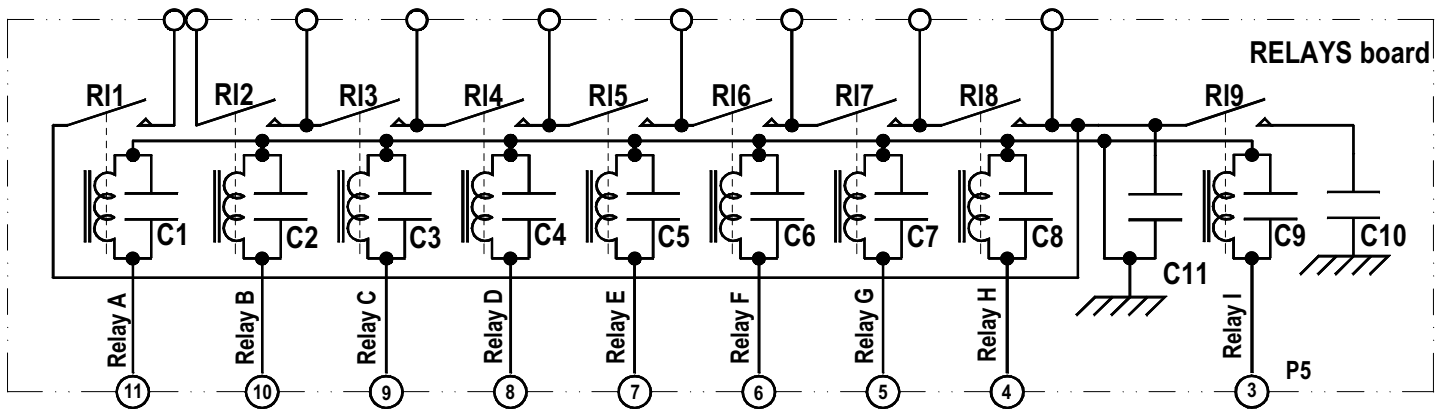
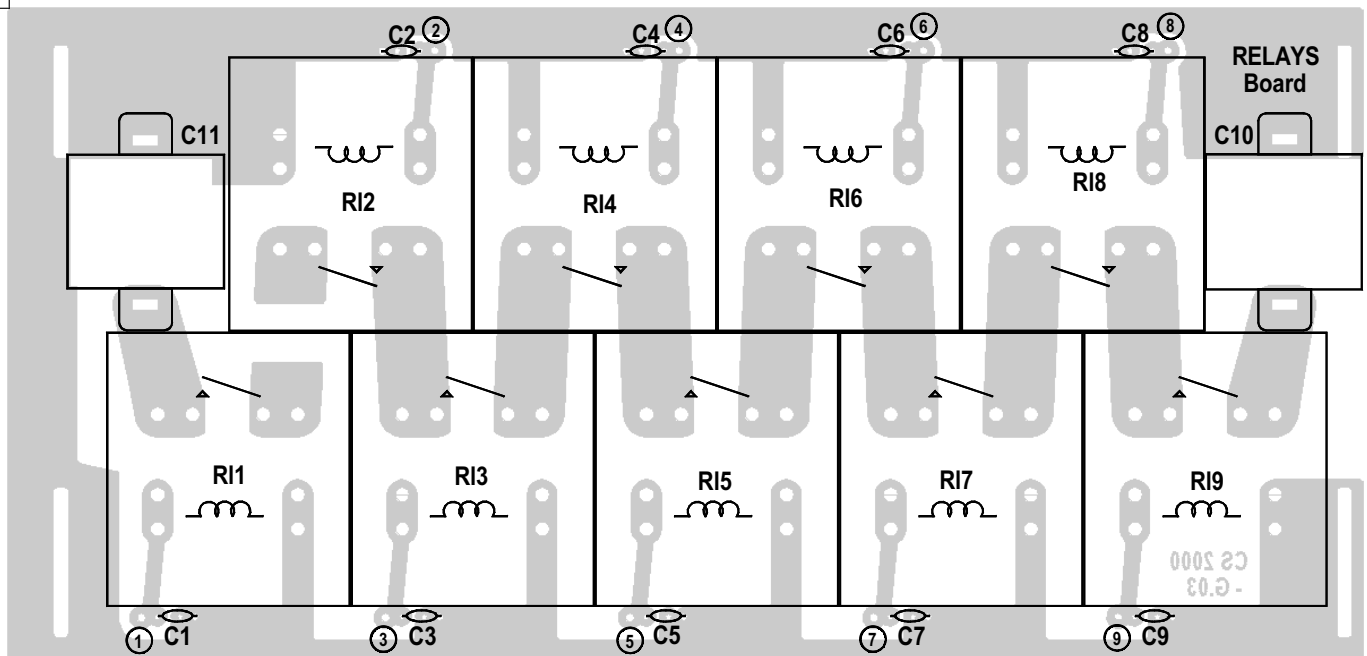


# KLV 2000 G RELAY Board

Version 1.00



## List of components

- C<sub>1</sub> to C<sub>9</sub> = 100 nF 50 V
- C<sub>10</sub> = 500 pF 5 KV HH58
- R<sub>1</sub> to R<sub>9</sub> = Relays Type 65.61