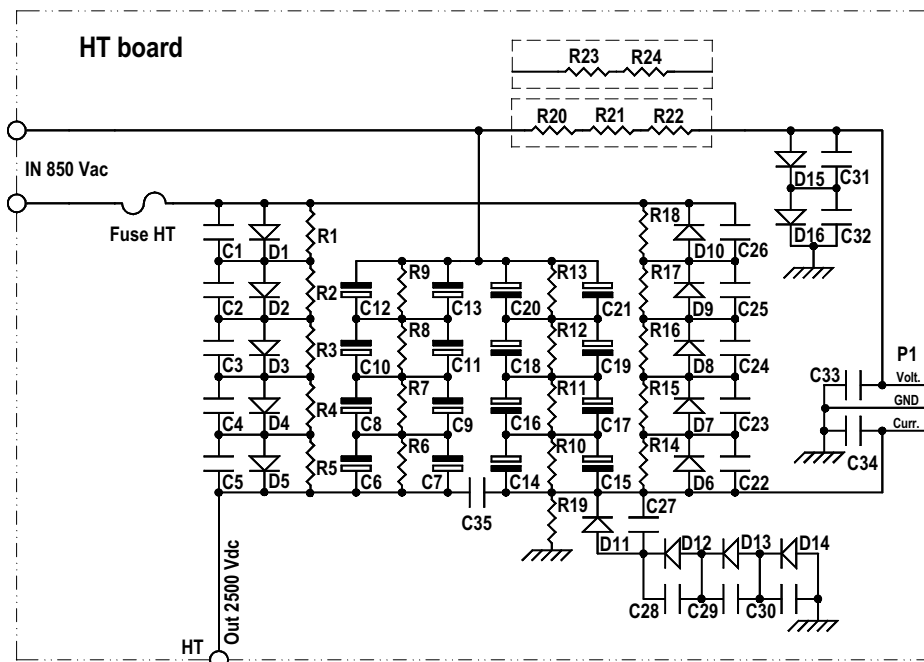
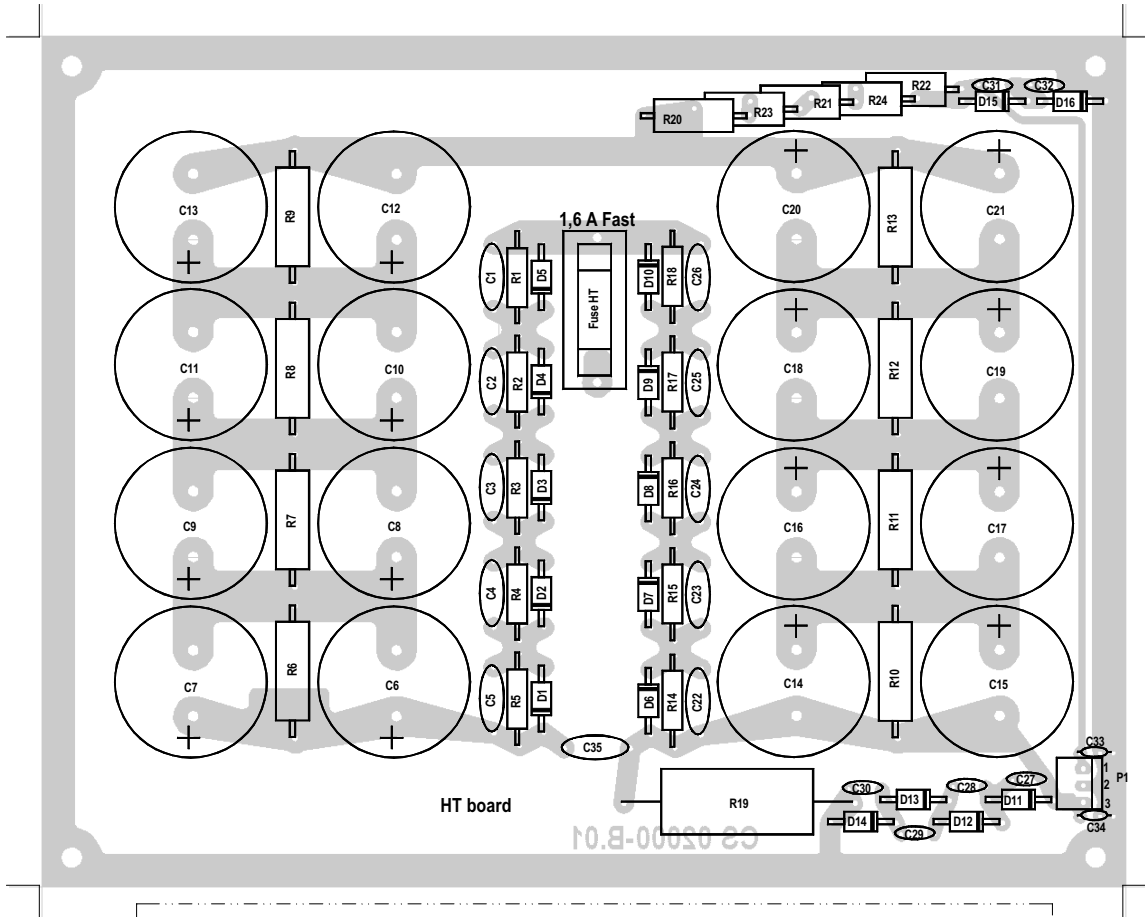


# KLV 2000 B HT Board

Version 1.00



**List of components**

C 1 =	1,0 nF	1 KV	R 14 =	470 K $\Omega$	½ W
C 2 =	1,0 nF	1 KV	R 15 =	470 K $\Omega$	½ W
C 3 =	1,0 nF	1 KV	R 16 =	470 K $\Omega$	½ W
C 4 =	1,0 nF	1 KV	R 17 =	470 K $\Omega$	½ W
C 5 =	1,0 nF	1 KV	R 18 =	470 K $\Omega$	½ W
C 6 =	100 $\mu$ F	450 V	R 19 =	2,2 $\Omega$	5 W
C 7 =	100 $\mu$ F	450 V	R 20 =	1,2 M $\Omega$	1 W
C 8 =	100 $\mu$ F	450 V	R 21 =	1,2 M $\Omega$	1 W
C 9 =	100 $\mu$ F	450 V	R 22 =	1,2 M $\Omega$	1 W
C 10 =	100 $\mu$ F	450 V	R 23 =	1,8 M $\Omega$	2 W
C 11 =	100 $\mu$ F	450 V	R 24 =	1,8 M $\Omega$	2 W
C 12 =	100 $\mu$ F	450 V	D 1 =	1N 4007	
C 13 =	100 $\mu$ F	450 V	D 2 =	1N 4007	
C 14 =	100 $\mu$ F	450 V	D 3 =	1N 4007	
C 15 =	100 $\mu$ F	450 V	D 4 =	1N 4007	
C 16 =	100 $\mu$ F	450 V	D 5 =	1N 4007	
C 17 =	100 $\mu$ F	450 V	D 6 =	1N 4007	
C 18 =	100 $\mu$ F	450 V	D 7 =	1N 4007	
C 19 =	100 $\mu$ F	450 V	D 8 =	1N 4007	
C 20 =	100 $\mu$ F	450 V	D 9 =	1N 4007	
C 21 =	100 $\mu$ F	450 V	D 10 =	1N 4007	
C 22 =	1,0 nF	1 KV	D 11 =	1N 4007	
C 23 =	1,0 nF	1 KV	D 12 =	1N 4007	
C 24 =	1,0 nF	1 KV	D 13 =	1N 4007	
C 25 =	1,0 nF	1 KV	D 14 =	1N 4007	
C 26 =	1,0 nF	1 KV	D 15 =	1N 4007	
C 27 =	100 nF	50 V	D 16 =	1N 4007	
C 28 =	100 nF	50 V	Fuse =	1,6 A 5 x 20 fast	
C 29 =	100 nF	50 V			
C 30 =	100 nF	50 V			
C 31 =	100 nF	50 V			
C 32 =	100 nF	50 V			
C 33 =	100 nF	50 V			
C 34 =	100 nF	50 V			
C 35 =	2,2 nF	3 KV			
R 1 =	470 K $\Omega$	½ W			
R 2 =	470 K $\Omega$	½ W			
R 3 =	470 K $\Omega$	½ W			
R 4 =	470 K $\Omega$	½ W			
R 5 =	470 K $\Omega$	½ W			
R 6 =	100 K $\Omega$	2 W			
R 7 =	100 K $\Omega$	2 W			
R 8 =	100 K $\Omega$	2 W			
R 9 =	100 K $\Omega$	2 W			
R 10 =	100 K $\Omega$	2 W			
R 11 =	100 K $\Omega$	2 W			
R 12 =	100 K $\Omega$	2 W			
R 13 =	100 K $\Omega$	2 W			