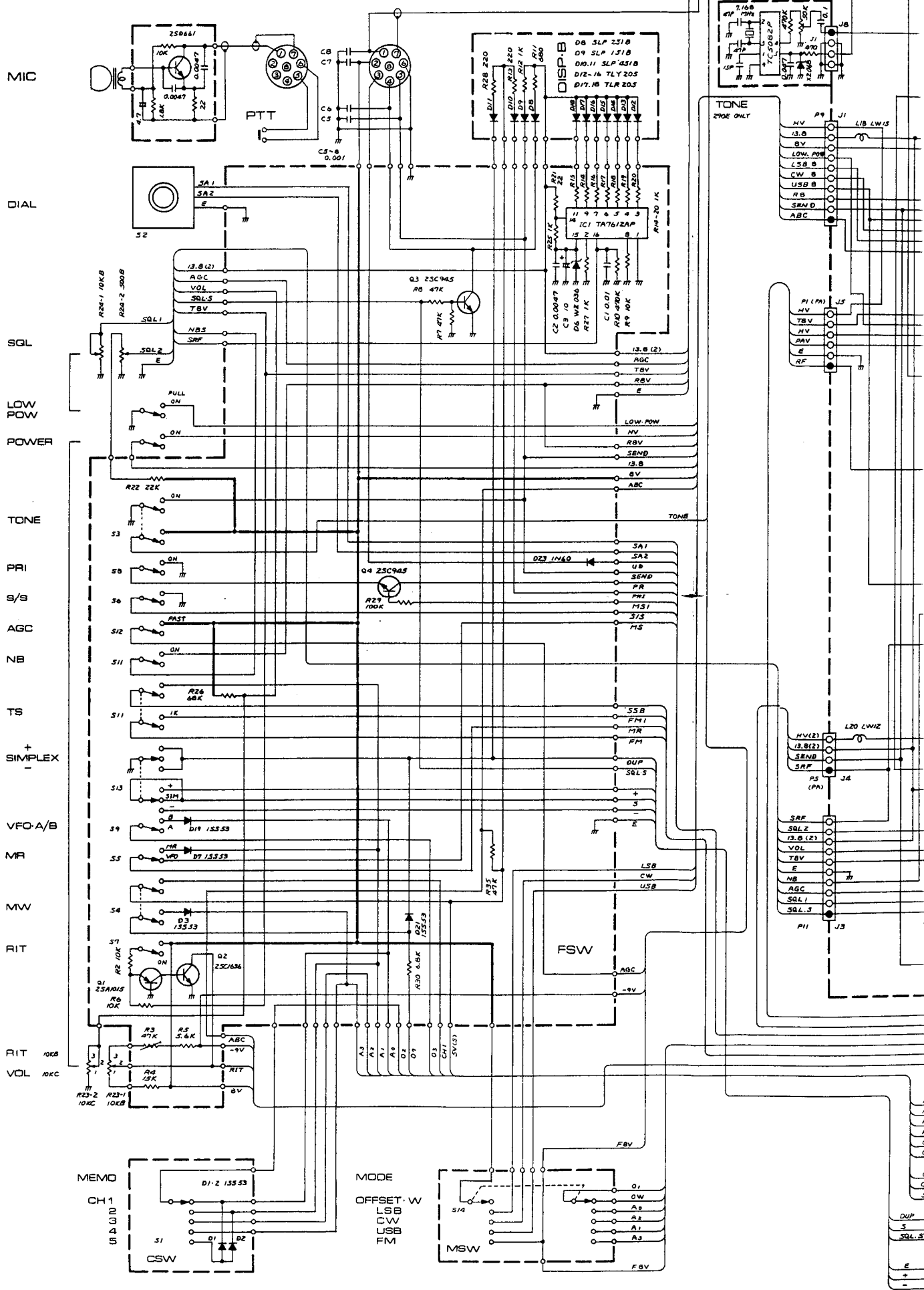
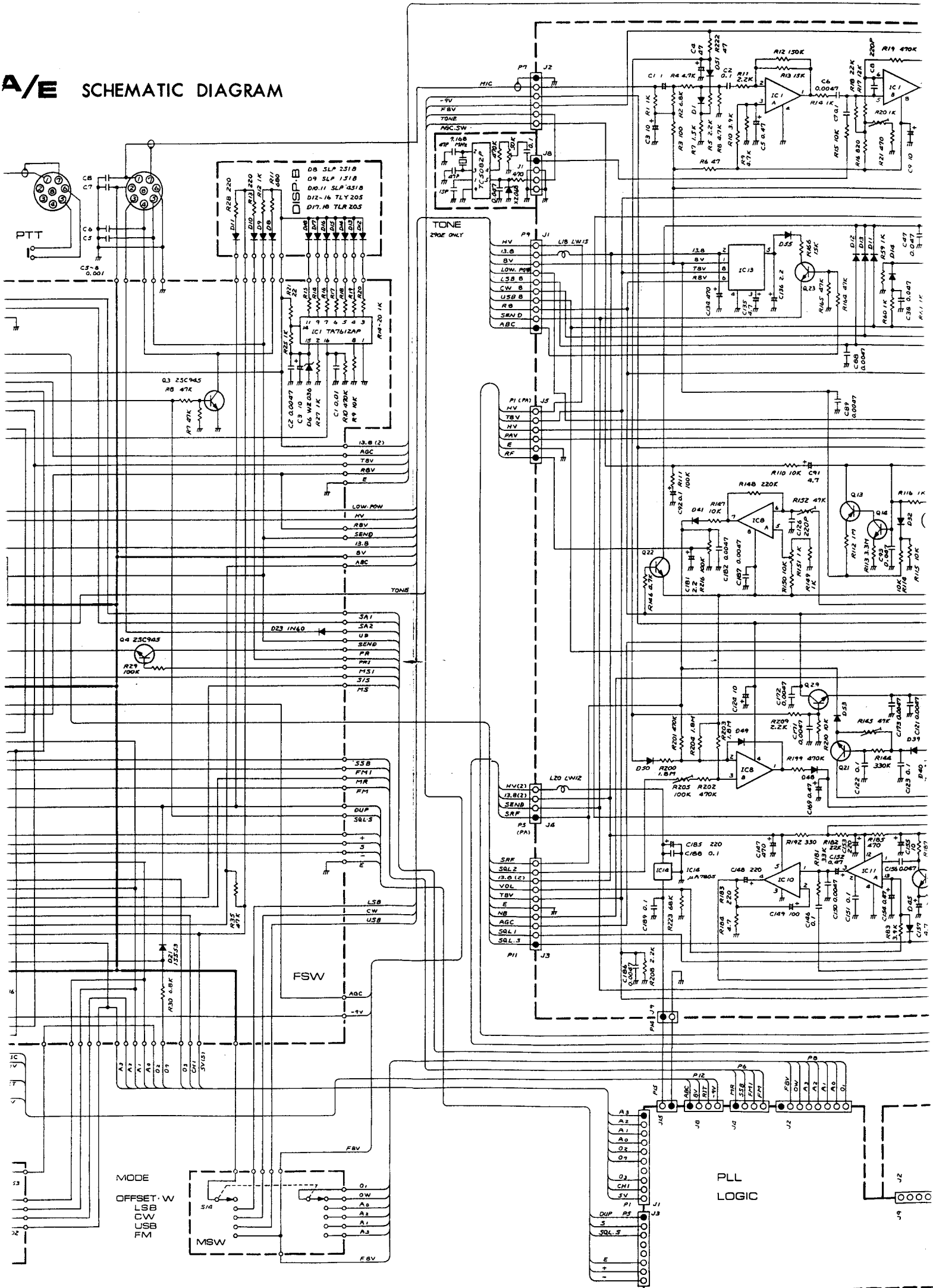
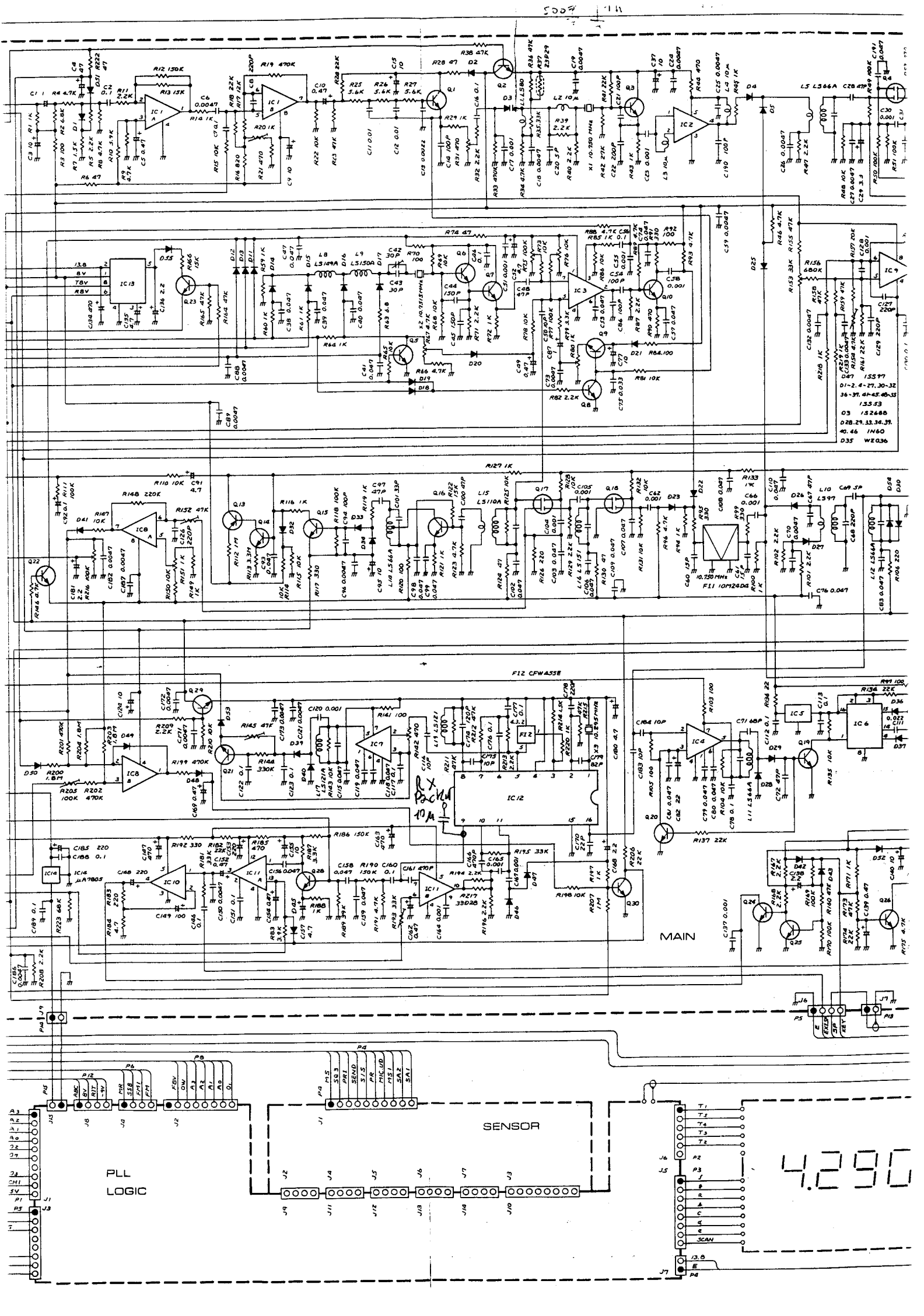


# IC-290A/E SCHEMATIC DIAGRAM



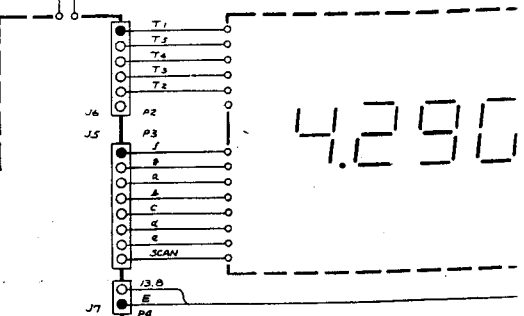
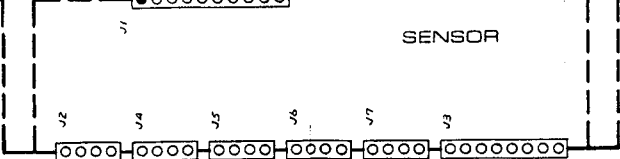
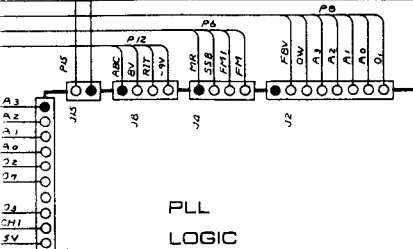
# A/E SCHEMATIC DIAGRAM



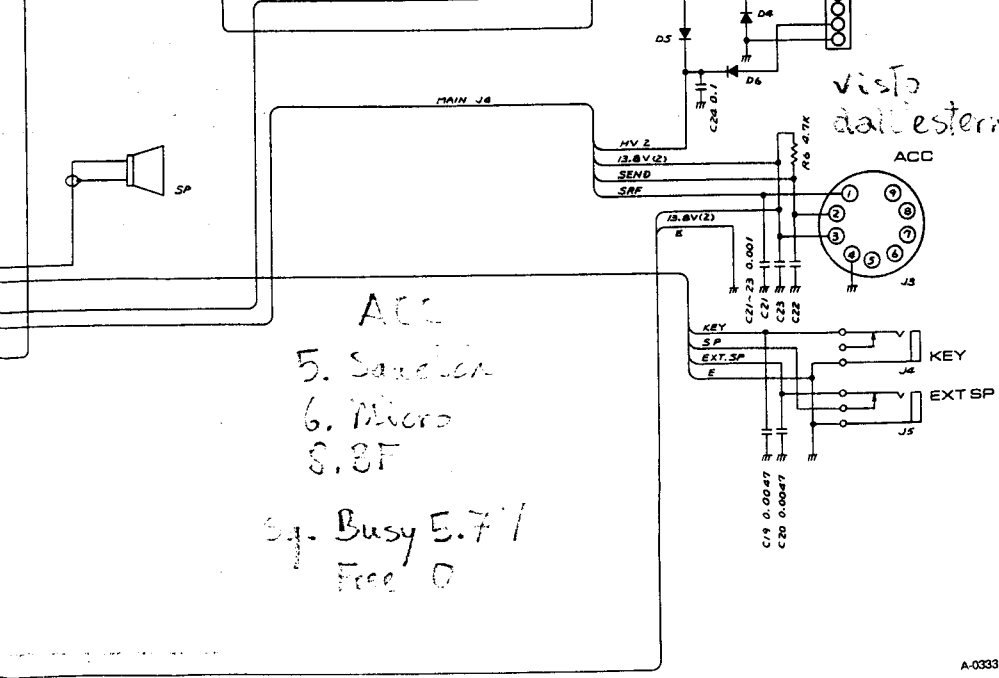
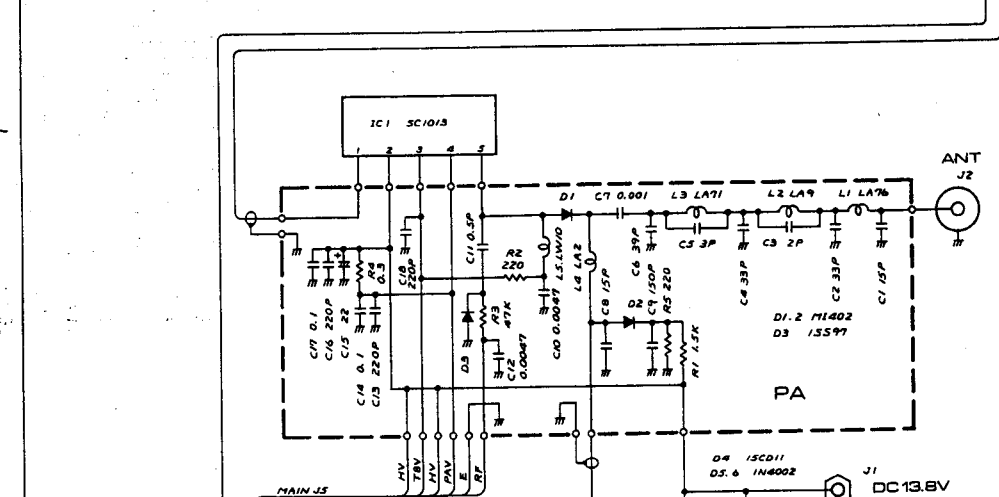
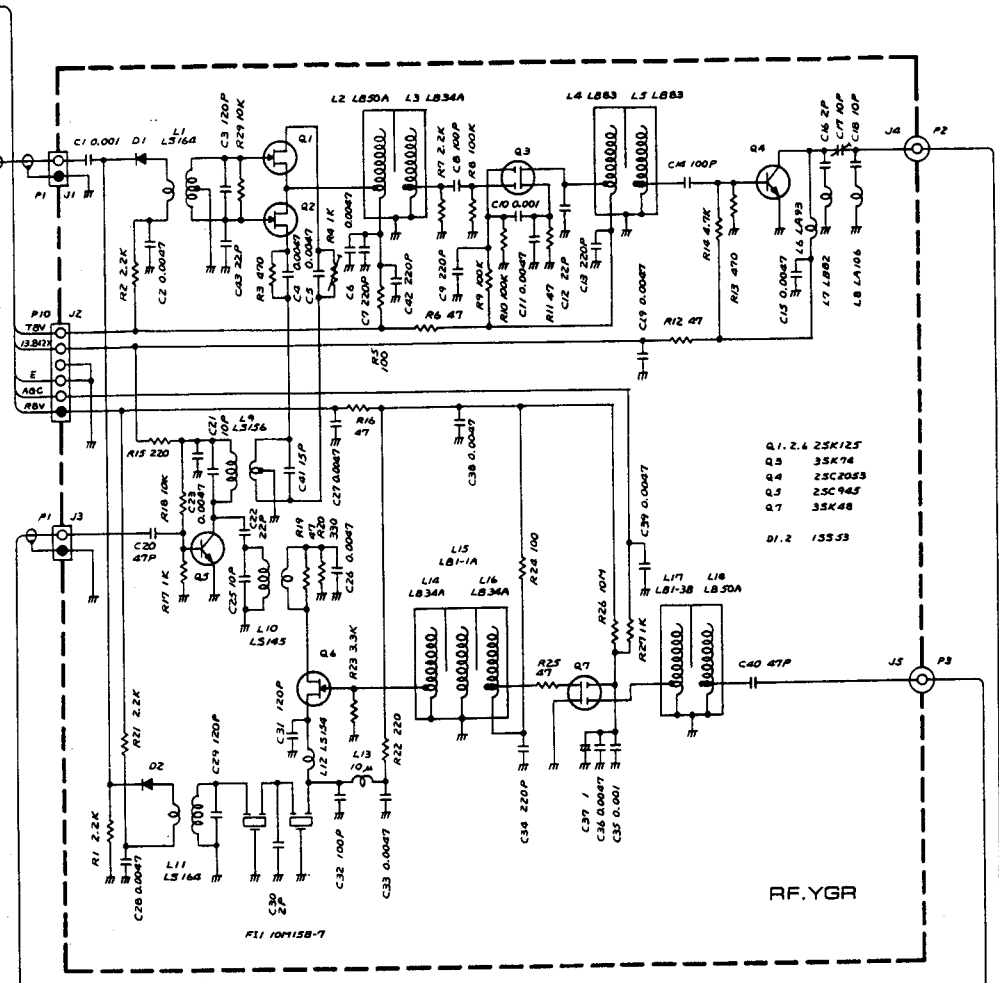
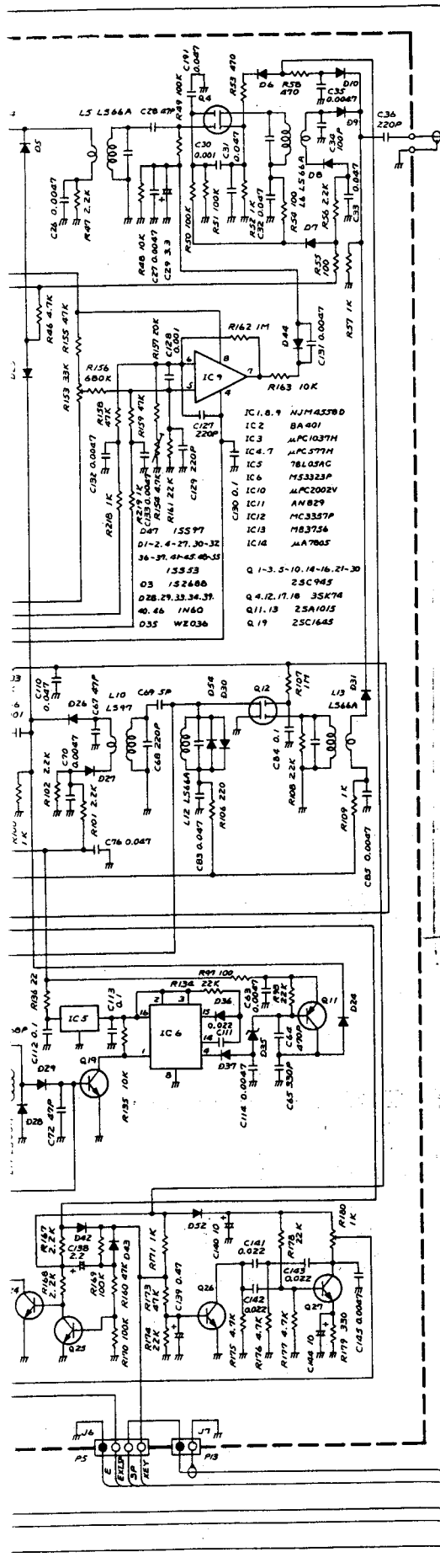


Component list table:

|                      |                      |
|----------------------|----------------------|
| D47                  | 15597                |
| D1-2, 4-7, 30-32     | 01-2, 4-7, 30-32     |
| 36-37, 44-45, 46, 53 | 36-37, 44-45, 46, 53 |
| 135, 53              | 135, 53              |
| D3                   | 15248B               |
| D28, 29, 33, 34, 37  | D28, 29, 33, 34, 37  |
| 40, 46               | 1N60                 |
| D35                  | WE036                |

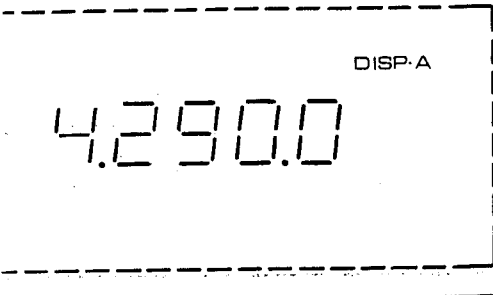


4.290



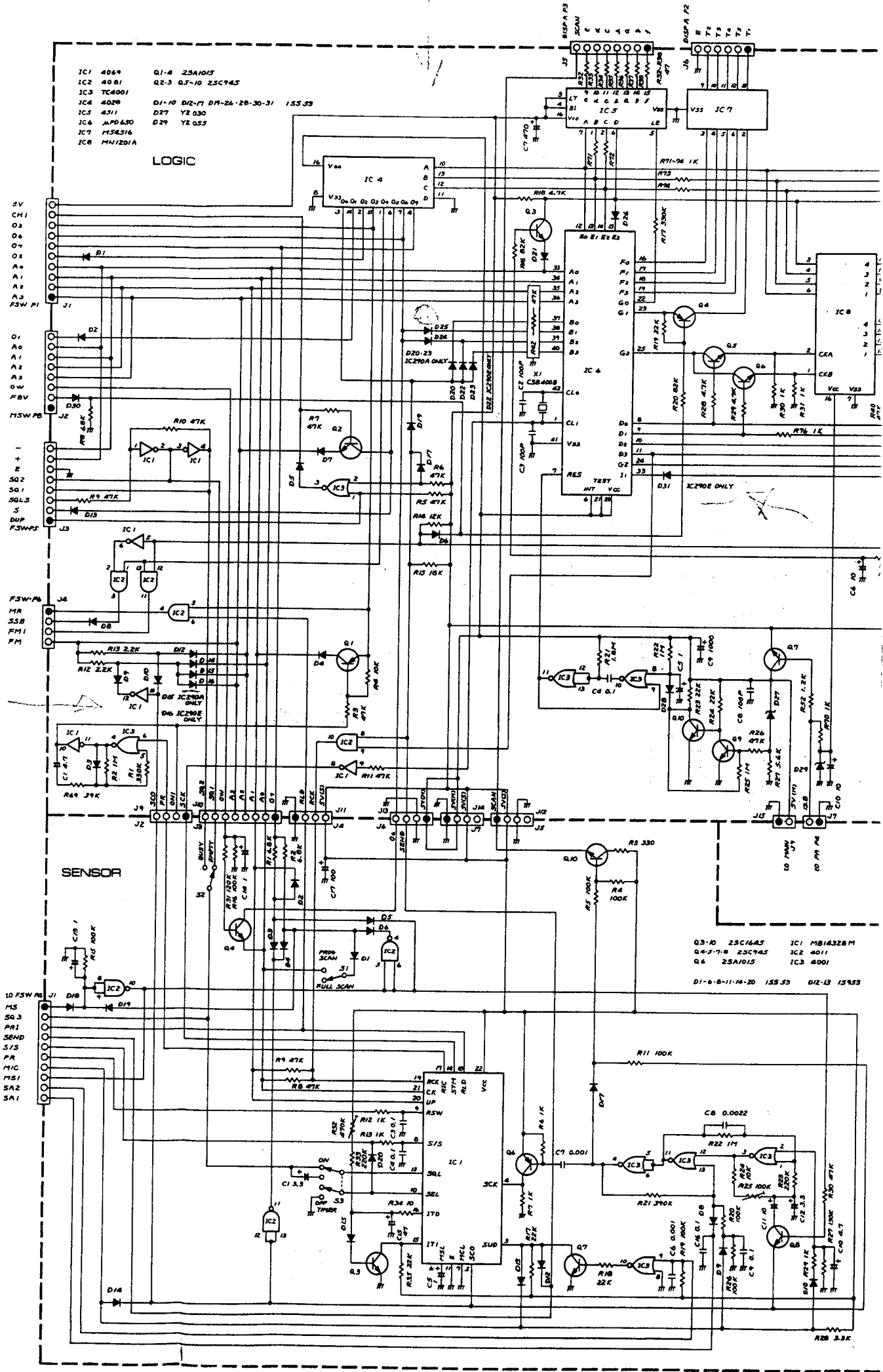
- IC1: 6X4
- IC2: 6AV6
- IC3: 6X4
- IC4: 6AV6
- IC5: 6X4
- IC6: 6AV6
- IC7: 6X4
- IC8: 6AV6
- IC9: 6X4
- IC10: 6AV6
- IC11: 6X4
- IC12: 6AV6
- IC13: 6X4
- IC14: 6AV6

- Q1: 2.4 25K125
- Q2: 35K74
- Q3: 25C2053
- Q4: 25C945
- Q5: 35K48
- D1: 2 15533



ACC  
 5. Sender  
 6. Micro  
 8.8F  
 Sq. Busy 5.71  
 Free 0

viso dall'esterno.

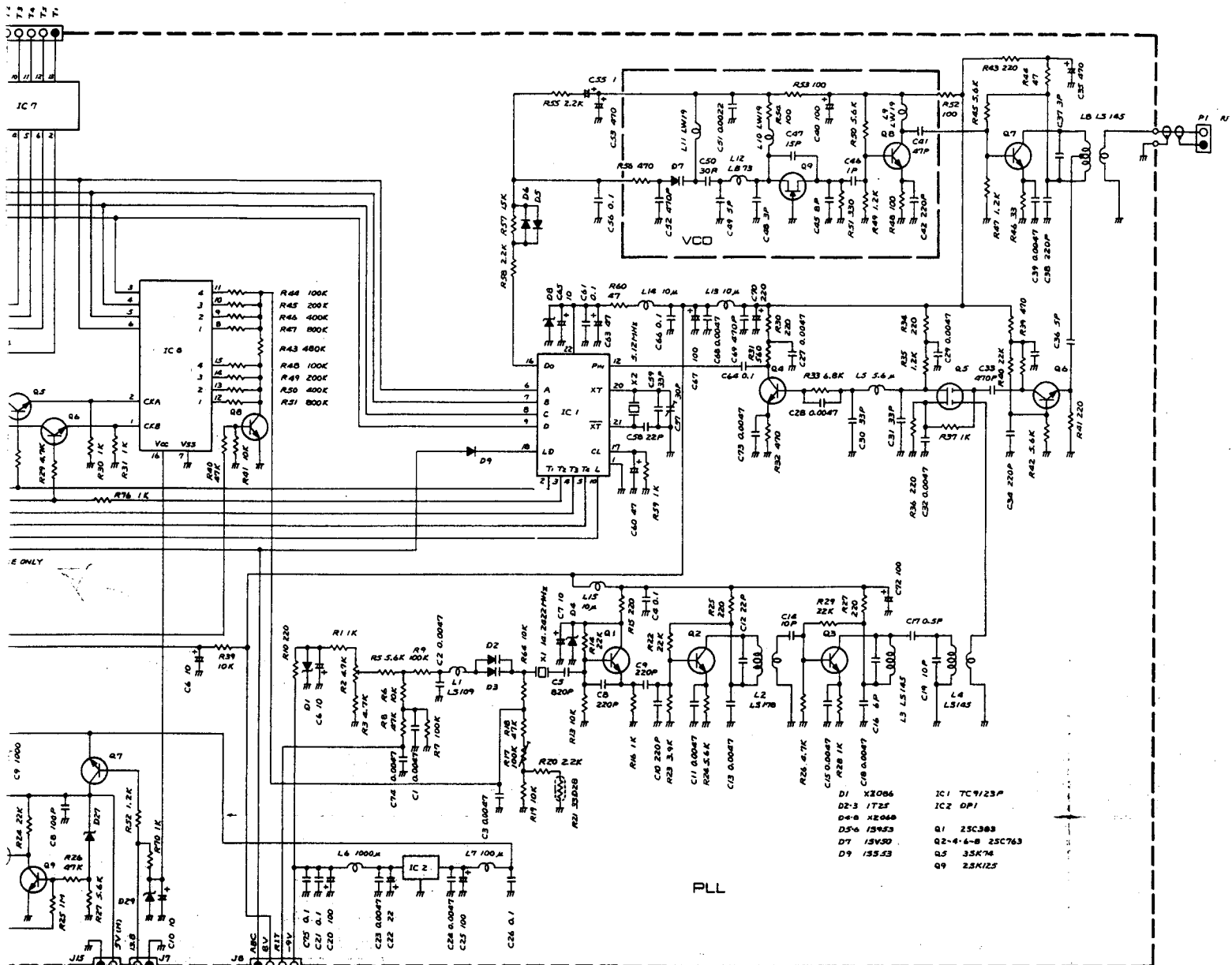


- IC1 4069 Q1-4 2SA1015  
 IC2 4081 Q2-3 0.5-10 2SC945  
 IC3 TC4001  
 IC4 4020 D1-10 D12-F1 D19-26-28-30-31 155.53  
 IC5 4311 D27 YE.030  
 IC6 ALPD630 D29 YE.055  
 IC7 M54316  
 IC8 MN1201A

LOGIC

SENSOR

- Q3-10 2SC1645 IC1 MB14328 M  
 Q4-5-7-8 2SC945 IC2 4011  
 Q6 2SA1015 IC3 4001  
 D1-6-8-11-14-20 155.53 D12-13 154.53



- |      |        |          |         |
|------|--------|----------|---------|
| D1   | X2086  | IC1      | 7C9123P |
| D2-3 | 1T25   | IC2      | DP1     |
| D4-8 | X2048  | Q1       | 25C388  |
| D5-6 | 13V53  | Q2-4-6-8 | 25C763  |
| D7   | 13V50  | Q5       | 35K74   |
| D9   | 155.53 | Q9       | 25K125  |

- |              |         |        |          |
|--------------|---------|--------|----------|
| 3-10         | 25C1645 | IC1    | M814328M |
| 4-5-7-8      | 25C945  | IC2    | 4011     |
| 5            | 25A1015 | IC3    | 4001     |
| 6-8-11-16-20 | 155.53  | D12-13 | 15V53    |

