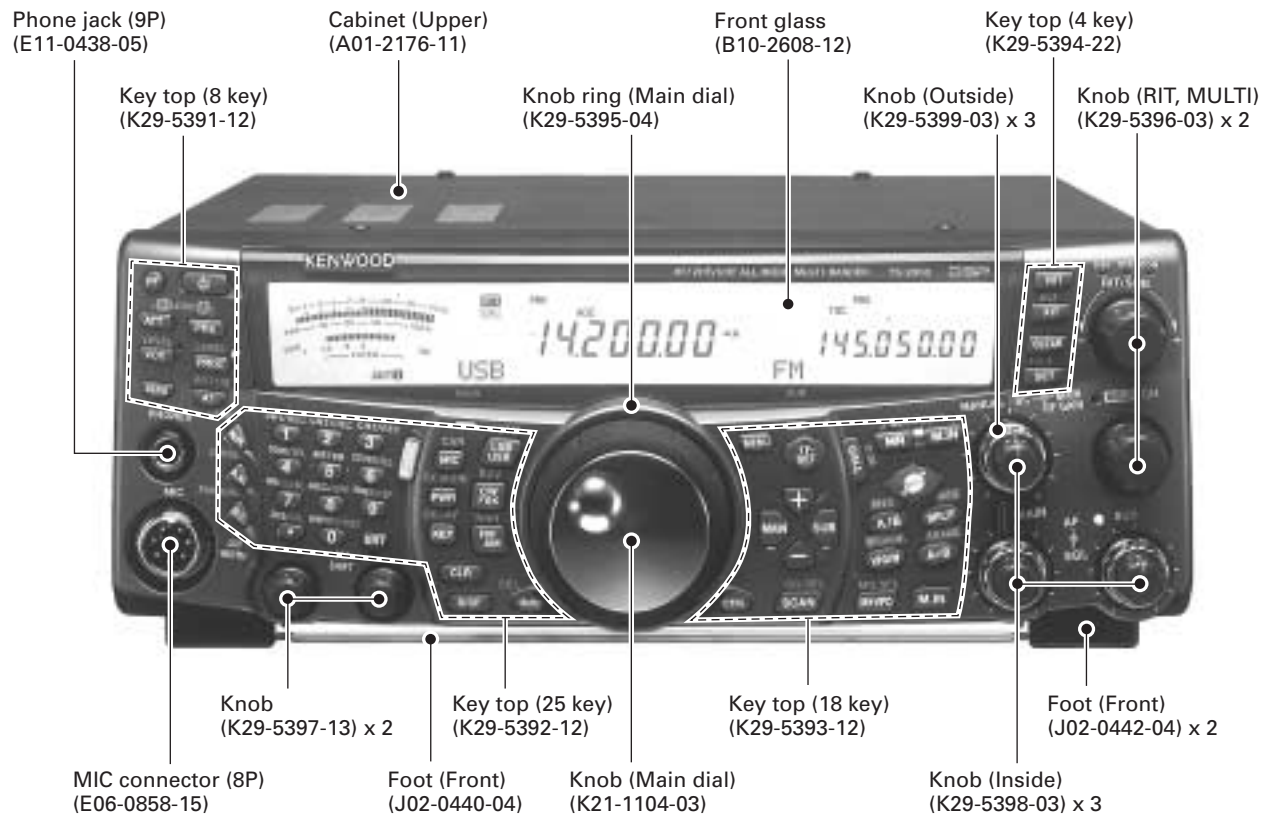


# TS-2000/X TS-B2000

## SERVICE MANUAL SUPPLEMENT

### TS-2000/X



### TS-B2000



## CONTENTS

<b>DESCRIPTION OF COMPONENTS .....</b>	<b>3</b>
<b>PARTS LIST .....</b>	<b>4</b>
<b>ADJUSTMENT .....</b>	<b>48</b>
<b>PC BOARD VIEWS / SCHEMATIC DIAGRAM</b>	
<b>FILTER UNIT (X51-315X-XX) .....</b>	<b>65</b>
<b>FINAL UNIT (X45-360X-XX) .....</b>	<b>67</b>
<b>DISPLAY UNIT (X54-3320-00) .....</b>	<b>79</b>
<b>CONTROL UNIT (X53-391X-XX) .....</b>	<b>83</b>
<b>TX-RX 1 UNIT (X57-605X-XX) .....</b>	<b>97</b>
<b>TX-RX 2 UNIT (X57-606X-XX) .....</b>	<b>112</b>
<b>TX-RX 3 UNIT (X57-6070-00) .....</b>	<b>135</b>
<b>SPECIFICATIONS .....</b>	<b>149</b>

This service manual is aimed to revise and update the information on the PCBs that are used in the TS-2000(X)/TS-B2000 transceiver. Refer to the original TS-2000(X)/TS-B2000 service manual (B51-8558-00/B51-8569-00) for any information which has not been covered in this manual.

### ■ About PC BOARD VIEWS and SCHEMATIC DIAGRAM

This service manual contains the PC BOARD VIEWS and SCHEMATIC DIAGRAM for the serial numbers listed below, and subsequent serial numbers. However, the PCB layout of the DISPLAY UNIT, TX-RX1 UNIT (C,D,E,G, and H/9) and TX-RX2 UNIT (B,D,E,G,H,I,J, and K/11) remain unchanged from the initial lot. Also, refer to the original TS-2000(X) (B51-8558-00) or TS-B2000 (B51-8569-00) service manual for transceivers with serial numbers prior to those listed below. For the PC BOARD VIEWS and SCHEMATIC DIAGRAM of common units, refer to the latest TS-B2000 service manual.

	UNIT Name	PC BOARD VIEWS	SCHEMATIC DIAGRAM
Common Unit (TS-2000(X)/ TS-B2000)	FINAL UNIT (X45-360X-XX) (A/2)	S/No. 30500001~	
	FINAL UNIT (X45-360X-XX) (B/2)	S/No. 30500001~	S/No. 20900001~
	FILTER UNIT (X51-315X-XX)	S/No. 30500001~	TS-2000 (E2), TS-B2000 (E) : S/No. 30600001~ Other models : S/No. 30500001~
	CONTROL UNIT (X53-391X-XX)	S/No. 30500001~	S/No. 30900001~
	TX-RX1 UNIT (X57-605X-XX) (A/9)	S/No. 30400141~	S/No. 31000001~
	TX-RX1 UNIT (X57-605X-XX) (F/9)	S/No. 30400141~	S/No. 20900001~
	TX-RX2 UNIT (X57-606X-XX) (A/11)	S/No. 30500001~	S/No. 30700001~
	TX-RX2 UNIT (X57-606X-XX) (C/11)	S/No. 30500001~	S/No. 21000001~
	TX-RX2 UNIT (X57-606X-XX) (B,D,E,G,H,I,J,K/11)	Initial lot (S/No. 20800001) ~	
Individual Unit (TS-2000(X)/ TS-B2000)	DISPLAY UNIT (X54-3320-00) *1	Initial lot (S/No. 20800001) ~	
	TX-RX1 UNIT (X57-605X-XX) (B/9) *1	S/No. 30400141~	S/No. 30300001~
	TX-RX1 UNIT (X57-605X-XX) (C,D,E,G/9) *1	Initial lot (S/No. 20800001) ~	
	TX-RX1 UNIT (X57-605X-XX) (H/9) *2	Initial lot (S/No. 21000001) ~	S/No. 21100001~
	TX-RX1 UNIT (X57-605X-XX) (I/9) *2	S/No. 30400141~	Initial lot (S/No. 21000001) ~
	TX-RX3 UNIT (X57-6070-00) *3	S/No. 30500001~	

\*1 : TS-2000/X only

\*2 : TS-B2000 only

\*3 : TS-2000X only

## DESCRIPTION OF COMPONENTS

### FINAL UNIT (HF) (X45-360X-XX) (A/2)

Ref. No.	Use / Function	Operation / Condition
Q1,2	Predrive amplifier	HF/VHF band amplifier
Q3,4	Drive amplifier	HF/VHF band push-pull wide-band amplifier
Q6,7	Final amplifier	HF/50MHz band push-pull wide-band amplifier
Q8	Bias control	HF/50MHz band final stage bias current control
Q101,102	Final amplifier	VHF band push-pull wide-band amplifier
Q103	Bias control	VHF band final stage bias current control
Q201	Switching	ANT1 and ANT2 changeover relay control
Q202	Switching	AT relay control
Q203	Switching	HF RX antenna relay control
Q204	Switching	Fan control (high speed)
Q205	Switching	Fan control (low speed)
Q206	Switching	High power supply voltage protection
Q207	Switching	Power relay control (K201)
Q208~215	Switching	HF/50MHz band LPF band changeover
Q216,217	Switching	VHF band TX/RX changeover relay control
Q218	Switching	Drive stage bias current control
IC201,202	AVR	SB→8V
IC203	AVR	SB→10V
IC204	AVR	8V→5V

Ref. No.	Use / Function	Operation / Condition
IC205	Extended I/O	LPF control signal serial-parallel
IC801	Extended I/O	AT input C control signal serial-parallel
IC802	Extended I/O	AT output C control signal serial-parallel
IC803	Extended I/O	AT coil control signal serial-parallel
D1	Switching	HF/VHF band drive input changeover
D2,3	Temperature compensation	Drive stage bias current control
D5	Switching	HF/VHF band drive stage bias changeover
D6	Surge absorption	Relay (K1)
D7,8	Temperature compensation	HF/50MHz band final stage bias current control
D101	High-frequency rectification	VHF band reflected wave detection
D102	High-frequency rectification	VHF band forward wave detection
D103,104	Temperature compensation	VHF band final stage bias current control
D201	Surge absorption	Power surge protection
D202	Surge absorption	Fan
D203	Zener diode	Over voltage detection
D204	Surge absorption	Relay (K201)
D206~209	Surge absorption	IC205 output line protection
D210	Reverse current prevention	VHF band TX/RX relay control line
D211	Zener diode	Voltage detection
D801~824	Surge absorption	Antenna tuning relay (K801~824)

# TS-2000/X, TS-B2000

## PARTS LIST

\* New Parts.  $\Delta$  indicates safety critical components.

Parts without **Parts No.** are not supplied.

Les articles non mentionnés dans le **Parts No.** ne sont pas fournis.

Teile ohne **Parts No.** werden nicht geliefert.

L : Scandinavia

Y : PX (Far East, Hawaii)

Y : AAFES (Europe)

K : USA

T : England

X : Australia

P : Canada

E : Europe

M : Other Areas

### TS-2000/X, TS-B2000 (Y52-327X-XX)

Ref. No.	Address	New parts	Parts No.	Description	Desti-nation	Ref. No.	Address	New parts	Parts No.	Description	Desti-nation
<b>TS-2000/X, TS-B2000</b>											
1	2A		A01-2176-11	CABINET (UPPER)		28	1B		E37-0867-05	FLAT CABLE (X57-606B CN501)	
2	1D		A01-2177-11	CABINET (BOTTOM)		29	3C		E37-0868-05	FLAT CABLE (X53 CN6)	
3	2C		A10-4017-11	CHASSIS		30	1C		E37-0869-05	FLAT CABLE (X53 CN504)	
4	1B		A11-0417-01	SUB CHASSIS		31	2B		E37-0870-05	FLAT CABLE (X57-606A CN12)	
5	1F		A22-2502-21	SUB PANEL	K,KX,E	32	1C		E37-0871-05	FLAT CABLE (X45A CN9)	
5	1F		A22-2502-21	SUB PANEL	E2,EX	33	2B		E37-0872-05	FLAT CABLE (X57-606A CN14)	
5	2F		A22-2502-21	SUB PANEL	KB,EB,E2B	34	3B		E37-0873-05	LEAD WIRE WITH TERMINAL (X45A CN203,+B)	
6	2E		A62-0771-03	PANEL ASSY	K,KX,E	35	3B		E37-0874-05	LEAD WIRE WITH TERMINAL (X45A CN204,GND)	
6	2E		A62-0771-03	PANEL ASSY	E2,EX	-			E37-0875-05	LEAD WIRE WITH MINIPIN PLUG (X57-606B CN502)	
6	2E		A62-0916-03	PANEL	KB,EB,E2B	-			E37-0876-05	LEAD WIRE WITH MINIPIN PLUG (X57-606C CN506)	
147	2E		B03-3608-03	DRESSING PLATE	KB,EB,E2B	-			E37-0877-05	LEAD WIRE WITH MINIPIN PLUG (X57-606A CN8,13)	
7	1C		B09-0355-05	CAP (REAR-COM)		-			E37-0878-05	LEAD WIRE WITH MINIPIN PLUG (X51 CN20,HF RX)	
8	2E	*	B10-2608-12	FRONT GLASS	K,KX,E	-			E37-0879-05	LEAD WIRE WITH MINIPIN PLUG (X45A CN1,HFTX)	
8	2E	*	B10-2608-12	FRONT GLASS	E2,EX	-			E37-0880-05	LEAD WIRE WITH MINIPIN PLUG (X57-606A CN6)	
10	1I		B42-7003-04	RATING LABEL (DC CORD)	E,EB,E2	-			E37-0881-05	LEAD WIRE WITH MINIPIN PLUG (X45A CN2,14TX)	
10	1I		B42-7003-04	RATING LABEL (DC CORD)	E2B,EX	-			E37-0882-05	LEAD WIRE WITH MINIPIN PLUG (X51 CN21,14RX)	
18	2E		B43-1222-04	BADGE (FRONT GLASS)	K,KX,E	-			E37-0883-05	LEAD WIRE WITH MINIPIN PLUG (X57-606A CN2,3)	
18	2E		B43-1222-04	BADGE (FRONT GLASS)	E2,EX	-			E37-0886-05	LEAD WIRE WITH CONNECTOR (X53 CN505)	
12	1J		B46-0310-03	WARRANTY CARD	E,EB,E2	-			E37-0887-05	LEAD WIRE WITH CONNECTOR (X53 CN503)	
12	1J		B46-0310-03	WARRANTY CARD	E2B,EX	-			E37-0888-05	LEAD WIRE WITH CONNECTOR (X57-606A CN9)	
12	1J		B46-0469-10	WARRANTY CARD	K,KB,KX	-			E37-0889-05	LEAD WIRE WITH CONNECTOR (X57-605A CN31,32)	
13	1J		B52-0614-00	SCHEMATIC DIAGRAM		50	2C		E37-0891-05	LEAD WIRE WITH CONNECTOR (X57-606A CN10)	
14	1J		B52-0616-00	SCHEMATIC DIAGRAM		-			E37-0891-05	LEAD WIRE WITH CONNECTOR (EXT AT)	KX,EX
15	1J		B52-0617-00	SCHEMATIC DIAGRAM		-			E37-0897-05	LEAD WIRE WITH CONNECTOR (X57-607 CN1)	KX,EX
148	1J		B52-0618-00	SCHEMATIC DIAGRAM		-			E37-0898-05	LEAD WIRE WITH CONNECTOR (X57-607 CN5)	KX,EX
149	1J	*	B59-1777-10	PAMPHLET (R&TTE)	E,EB,E2	53	1B		E37-0946-05	FLAT CABLE (X57-606B CN533)	
149	1J	*	B59-1777-10	PAMPHLET (R&TTE)	E2B,EX	54	3C		E37-0947-05	FLAT CABLE (X53 CN1)	
-		*	B59-2277-00	PAMPHLET (A11 COMMAND)		55	2F		E37-0948-05	FLAT CABLE (X54 CN1)	K,KX,E
-		*	B59-2307-00	PAMPHLET (FREQUENCY)	EX	55	2F		E37-0948-05	FLAT CABLE (X54 CN1)	E2,EX
16	1J	*	B62-1221-30	INSTRUCTION MANUAL (ENGLISH)	K,KB,KX	-			E37-0951-05	LEAD WIRE WITH MINIPIN PLUG (X51 CN4)	
16	1J	*	B62-1221-30	INSTRUCTION MANUAL (ENGLISH)	E,EB,EX	-			E37-0952-05	LEAD WIRE WITH MINIPIN PLUG (X51 CN12,13)	
16	1J	*	B62-1222-10	INSTRUCTION MANUAL (FRENCH)	E,EB,EX	-			E37-0953-05	LEAD WIRE WITH MINIPIN PLUG (X57-606A CN18)	
16	1J	*	B62-1223-10	INSTRUCTION MANUAL (SPANISH)	E2,E2B	-			E37-0957-05	LEAD WIRE WITH CONNECTOR (X51 CN10)	
16	1J		B62-1224-00	INSTRUCTION MANUAL (GERMAN)	E,EB,EX	61	3B		E37-0958-05	LEAD WIRE WITH CONNECTOR (X51 CN9)	
16	1J		B62-1225-00	INSTRUCTION MANUAL (ITALIAN)	E,EB,EX	-			E37-0959-05	LEAD WIRE WITH CONNECTOR (SP)	
16	1J		B62-1226-00	INSTRUCTION MANUAL (DUTCH)	E,EB,EX	62	3C		E37-0963-05	FLAT CABLE (X57-607 CN6)	KX,EX
17	2C		B72-1641-04	MODEL NAME PLATE	K	-			E37-0971-05	LEAD WIRE WITH CONNECTOR (X57-605I CN961)	KB,EB,E2B
17	2C		B72-1642-14	MODEL NAME PLATE	E,E2	-			E37-0972-05	LEAD WIRE WITH CONNECTOR (X57-605I CN960)	KB,EB,E2B
17	2C		B72-1735-04	MODEL NAME PLATE	KB	65	11,2I		F05-2531-05	FUSE (BLADE) (25A/32V) ACCESSORY	
17	2C		B72-1736-14	MODEL NAME PLATE	EB,E2B	66	2I		F06-4027-05	FUSE (BLADE) (4A/32V) ACCESSORY	
17	2C		B72-1879-04	MODEL NAME PLATE	KX	67	1C		F07-1849-05	COVER (REAR-PANEL)	
17	2C	*	B72-2072-04	MODEL NAME PLATE	EX	68	1C		F09-0453-05	CAP (REAR-DIN)	
19	2C		E04-0167-05	RF COAXIAL RECEPTACLE (M)		69	3C		F09-0471-05	FANMOTOR	
20	2C		E04-0170-05	RF COAXIAL RECEPTACLE (N)		70	2B		F10-2328-02	SHIELDING PLATE	
21	2I		E07-0751-05	DIN PLUG (7P) ACCESSORY		71	2B		F10-2330-13	SHIELDING COVER (AT)	
22	2I		E07-0851-05	DIN PLUG (8P) ACCESSORY		72	3B		F10-2366-03	SHIELDING PLATE (1.2G)	KX,EX
-			E07-0852-15	ROUND PLUG (MICROPHONE)		73	2B		F10-2398-04	SHIELDING COVER (X51)	
24	2I		E07-1351-05	DIN PLUG (13P) ACCESSORY		74	3G		F12-0463-04	SHIELDING SHEET	
25	2C		E23-1164-04	EARTH LUG (ANT)		-			F15-0700-04	SHIELDING PLATE (1.2G ANT)	K,KB,E
26	1I		E30-3157-15	DC CORD ACCESSORY		-			F15-0700-04	SHIELDING PLATE (1.2G ANT)	EB,E2,E2B
27	2C		E37-0866-05	FLAT CABLE (X57-605A CN26)		75	1A		F20-1185-04	INSULATING SHEET	
27	3C,2F		E37-0866-05	FLAT CABLE (X57-605B CN800)	K,KX,E	-			F20-1186-04	INSULATING SHEET	
27	3C,2F		E37-0866-05	FLAT CABLE (X57-605B CN800)	E2,EX	-			F20-3303-04	INSULATING SHEET (SUB PANEL)	
27	3C,2F		E37-0866-05	FLAT CABLE (X57-605B CN800)	E2,EX	76	3B		F29-0014-05	INSULATING BUSH (X45-360A Q2)	

K : TS-2000 (K)    KB : TS-B2000 (K)    KX : TS-2000X (K)    E : TS-2000 (E)  
 EB : TS-B2000 (E)    E2 : TS-2000 (E2)    E2B : TS-B2000 (E2)    EX : TS-2000X (E)

## PARTS LIST

TS-2000/X, TS-B2000

Ref. No.	Address	New parts	Parts No.	Description	Desti-nation	Ref. No.	Address	New parts	Parts No.	Description	Desti-nation
78	3E		G02-0505-05	KNOB SPRING	K,KX,E	109	2J		H52-1590-02	ITEM CARTON CASE	KB
78	3E		G02-0505-05	KNOB SPRING	E2,EX	109	2J		H52-1712-02	ITEM CARTON CASE	KX
79	1C		G02-0570-04	FLAT SPRING		109	2J		H52-1773-02	ITEM CARTON CASE	E,E2
-			G02-0729-14	FLAT SPRING (1.2G,A25)		109	2J		H52-1774-02	ITEM CARTON CASE	EB,E2B
80	3E		G02-0854-03	FLAT SPRING (MAIN DIAL)	K,KX,E	109	2J	*	H52-1893-02	ITEM CARTON CASE	EX
80	3E		G02-0854-03	FLAT SPRING (MAIN DIAL)	E2,EX	111	1D		J02-0440-04	FOOT (FRONT)	K,KX,E
81	2A		G02-0875-04	EARTH SPRING (X45-360B)		111	1D		J02-0440-04	FOOT (FRONT)	E2,EX
82	2F		G02-0879-04	EARTH SPRING (PANEL ASSY)	K,KX,E	112	3A,2D		J02-0441-05	FOOT (SIDE)	
82	2F		G02-0879-04	EARTH SPRING (PANEL ASSY)	E2,EX	113	2D		J02-0442-04	FOOT (FRONT)	
83	3B		G02-0881-04	FLAT SPRING (X45-360A IC201)		114	1D		J02-0475-05	FOOT (REAR)	
84	3E		G09-0405-05	KNOB SPRING (RIT,MULTI)	K,KX,E	115	3B		J21-8414-04	HARDWARE FIXTURE (1.2G)	
84	3E		G09-0405-05	KNOB SPRING (RIT,MULTI)	E2,EX	116	1E		J31-0141-04	COLLAR (MIC 8P)	K,KX,E
110	2E		G10-0789-04	FIBROUS SHEET (PANEL ASSY)	K,KX,E	116	1E		J31-0141-04	COLLAR (MIC 8P)	E2,EX
110	2E		G10-0789-04	FIBROUS SHEET (PANEL ASSY)	E2,EX	116	2E		J31-0141-04	COLLAR (MIC 8P)	KB,EB,E2B
-			G10-1218-04	FIBROUS SHEET (X45-360A IC201)		117	3E		J39-0638-04	SPACER (MAIN DIAL)	K,KX,E
85	3E		G10-1258-04	FIBROUS SHEET (FLAT SPRING:MAIN DIAL)	K,KX,E	117	3E		J39-0638-04	SPACER (MAIN DIAL)	E2,EX
85	3E		G10-1258-04	FIBROUS SHEET (FLAT SPRING:MAIN DIAL)	E2,EX	-			J61-0307-05	BAND	
86	2A,3A		G10-1277-04	FIBROUS SHEET (CABINET UPPER)		120	2A		K01-0420-05	HANDLE	
87	1F		G10-1278-04	FIBROUS SHEET (SUB PANEL)	K,KX,E	121	3E		K21-1104-03	KNOB (MAIN DIAL)	K,KX,E
87	1F		G10-1278-04	FIBROUS SHEET (SUB PANEL)	E2,EX	121	3E		K21-1104-03	KNOB (MAIN DIAL)	E2,EX
88	3D		G10-1281-04	FIBROUS SHEET (FLAT CABLE)		122	2E	*	K29-5391-12	KEY TOP (8KEY)	K,KX,E
98	2F		G11-2521-04	SHEET (PANEL ASSY)	K,KX,E	122	2E	*	K29-5391-12	KEY TOP (8KEY)	E2,EX
98	2F		G11-2521-04	SHEET (PANEL ASSY)	E2,EX	123	2F		K29-5392-12	KEY TOP (25KEY)	K,KX,E
89	3C		G11-2588-04	RUBBER SHEET (CHASSIS FRONT)		123	2F		K29-5392-12	KEY TOP (25KEY)	E2,EX
90	1I		G11-2698-04	SHEET ACCESSORY		124	2F		K29-5393-12	KEY TOP (18KEY)	K,KX,E
91	2F		G11-4035-04	SHEET (KEY TOP)	K,KX,E	124	2F		K29-5393-12	KEY TOP (18KEY)	E2,EX
91	2F		G11-4035-04	SHEET (KEY TOP)	E2,EX	125	2F	*	K29-5394-22	KEY TOP (4KEY)	K,KX,E
92	2F		G11-4036-04	SHEET (KEY TOP)	K,KX,E	125	2F	*	K29-5394-22	KEY TOP (4KEY)	E2,EX
92	2F		G11-4036-04	SHEET (KEY TOP)	E2,EX	126	3E		K29-5395-04	KNOB RING (MAIN DIAL)	K,KX,E
93	2F		G11-4037-14	SHEET (KEY TOP)	K,KX,E	126	3E		K29-5395-04	KNOB RING (MAIN DIAL)	E2,EX
93	2F		G11-4037-14	SHEET (KEY TOP)	E2,EX	127	3E		K29-5396-03	KNOB (RIT,MULTI)	K,KX,E
94	2F		G11-4038-04	SHEET (KEY TOP)	K,KX,E	127	3E		K29-5396-03	KNOB (RIT,MULTI)	E2,EX
94	2F		G11-4038-04	SHEET (KEY TOP)	E2,EX	128	3E		K29-5397-13	KNOB	K,KX,E
95	2F		G11-4039-14	SHEET (KEY TOP)	K,KX,E	128	3E		K29-5397-13	KNOB	E2,EX
95	2F		G11-4039-14	SHEET (KEY TOP)	E2,EX	129	3E		K29-5398-03	KNOB (INSIDE)	K,KX,E
96	2F		G11-4041-04	SHEET (KEY TOP)	K,KX,E	129	3E		K29-5398-03	KNOB (INSIDE)	E2,EX
96	2F		G11-4041-04	SHEET (KEY TOP)	E2,EX	130	3E		K29-5399-03	KNOB (OUTSIDE)	K,KX,E
97	3C		G11-4042-04	SHEET (FANMOTOR)		130	3E		K29-5399-03	KNOB (OUTSIDE)	E2,EX
108	2F		G11-4045-04	SHEET (4KEY)	K,KX,E	-			L79-1407-05	LINE FILTER	
108	2F		G11-4045-04	SHEET (4KEY)	E2,EX	133	2I		L79-1408-05	LINE FILTER (WITH BAND) ACCESSORY	E,EB,E2
-			G11-4053-04	SHEET (FRONT GLASS)	K,KX,E	133	2I		L79-1408-05	LINE FILTER (WITH BAND) ACCESSORY	E2B,EX
-			G11-4053-04	SHEET (FRONT GLASS)	E2,EX	A	1F		N14-0569-04	CIRCULAR NUT	K,KX,E
-		*	G11-4059-04	SHEET (X53 CN7 FLAT CABLE)		A	1F		N14-0569-04	CIRCULAR NUT	E2,EX
99	2E		G13-1775-13	CUSHION (LCD)	K,KX,E	B	2C		N15-1040-46	FLAT WASHER	
99	2E		G13-1775-13	CUSHION (LCD)	E2,EX	C	3E		N19-0670-05	SPECIAL WASHER	K,KX,E
100	3B		G13-1793-04	CUSHION (UNDER SP)		C	3E		N19-0670-05	SPECIAL WASHER	E2,EX
101	3A		G13-1855-04	CUSHION (SP)		D	1F		N19-0673-05	SPECIAL WASHER	K,KX,E
102	1C		G13-1856-04	CUSHION (DRU-3A)		D	1F		N19-0673-05	SPECIAL WASHER	E2,EX
103	1D		G13-1868-04	CUSHION (CABINET BOTTOM)		E	2A,1D		N33-3006-45	OVAL HEAD MACHINE SCREW	
104	1G		G13-1869-05	CONDUCTIVE CUSHION		F	1D,2D		N35-3008-41	BINDING HEAD MACHINE SCREW	
105	1H		G13-1870-05	CONDUCTIVE CUSHION		G	3C		N35-3020-46	BINDING HEAD MACHINE SCREW	
106	1H		G13-1871-05	CONDUCTIVE CUSHION		H	2C		N35-4010-46	BINDING HEAD MACHINE SCREW	
107	3H		G13-1872-05	CONDUCTIVE CUSHION		J	2A		N67-2608-46	PAN HEAD SEMS SCREW W	
-			G13-1877-05	CONDUCTIVE CUSHION (1.2G)	KX,EX	K	2A,3B		N68-4006-46	PAN HEAD SEMS SCREW A	
-			G13-1878-05	CONDUCTIVE CUSHION (1.2G)	KX,EX	L	2F		N87-2606-46	BRAZIER HEAD TAPTITE SCREW	KB,EB,E2B
-			H10-6631-12	POLYSTYRENE FOAMED FIXTURE (F)		L	1E,2F		N87-2606-46	BRAZIER HEAD TAPTITE SCREW	K,KX,E
-			H10-6632-12	POLYSTYRENE FOAMED FIXTURE (R)		L	1E,2F		N87-2606-46	BRAZIER HEAD TAPTITE SCREW	E2,EX
-			H10-6640-04	POLYSTYRENE FOAMED FIXTURE	KB,EB,E2B	M	2B,2F		N87-2608-46	BRAZIER HEAD TAPTITE SCREW	
-			H20-1440-03	PROTECTION COVER							
109	2J		H52-1509-02	ITEM CARTON CASE	K						

K : TS-2000 (K)    KB : TS-B2000 (K)    KX : TS-2000X (K)    E : TS-2000 (E)  
 EB : TS-B2000 (E)    E2 : TS-2000 (E2)    E2B : TS-B2000 (E2)    EX : TS-2000X (E)

# TS-2000/X, TS-B2000

## PARTS LIST

TS-2000/X, TS-B2000  
FINAL UNIT (X45-360X-XX)

Ref. No.	Address	New parts	Parts No.	Description	Destination	Ref. No.	Address	New parts	Parts No.	Description	Destination
N	3E		N90-3008-46	TP HEAD MACHINE SCREW	K,KX,E	C49-56			C93-0608-05	CHIP C	2700PF K
N	3E		N90-3008-46	TP HEAD MACHINE SCREW	E2,EX	C57,58			C93-0572-05	CHIP C	100PF J
135	1I		N99-2024-05	SCREW SET ACCESSORY		C59,60			C93-0568-05	CHIP C	47PF J
-			S50-1406-05	TACT SWITCH (MICROPHONE)		C61			CM73F2H331J	CHIP C	330PF J
139	3B		T07-0252-35	SPEAKER		C63			C93-0555-05	CHIP C	5.0PF C
140	1I		T91-0352-15	MICROPHONE ACCESSORY		C67			C93-0555-05	CHIP C	5.0PF C
141	1J	*	T93-0123-25	CD-ROM ACCESSORY	KB,EB,E2B	C68			CK73FB1E104K	CHIP C	0.10UF K
142	2F		W02-1836-05	ENCODER (MAIN)	K,KX,E	C69			CK73FB1H102K	CHIP C	1000PF K
142	2F		W02-1836-05	ENCODER (MAIN)	E2,EX	C70			CE04EW1E100M	ELECTRO	10UF 25WV
143	1F		W02-3619-05	ENCODER (RIT/SUB)	K,KX,E	C71			CK73FB1H103K	CHIP C	0.010UF K
143	1F		W02-3619-05	ENCODER (RIT/SUB)	E2,EX	C72			CK73FB1E104K	CHIP C	0.10UF K
-			W09-0873-05	LITHIUM CELL (X57-605A)		C73			CK73FB1H102K	CHIP C	1000PF K
146	2E		212-2017-05	HEAT-PROOF TUBE (VOX,FUNC)	K,KX,E	C74			CK73FB1E104K	CHIP C	0.10UF K
146	2E		212-2017-05	HEAT-PROOF TUBE (VOX,FUNC)	E2,EX	C79			C90-4089-05	ELECTRO	220UF 25WV
<b>FINAL UNIT (X45-360X-XX) 0-11 : K,KB,KX 2-71 : E,EB,E2,E2B,EX</b>						C101			C93-0567-05	CHIP C	39PF J
C1			CK73FB1E104K	CHIP C	0.10UF K	C102			C93-0560-05	CHIP C	10PF D
C2			CK73FB1H103K	CHIP C	0.010UF K	C104			C93-0572-05	CHIP C	100PF J
C3			CK73FB1E104K	CHIP C	0.10UF K	C106			C93-0572-05	CHIP C	100PF J
C4			CK73FB1H103K	CHIP C	0.010UF K	C107			CM73F2H271J	CHIP C	270PF J
C5			CK73FB1H102K	CHIP C	1000PF K	C108			CM73F2H221J	CHIP C	220PF J
C6			CK73FB1E104K	CHIP C	0.10UF K	C110			CM73F2H271J	CHIP C	270PF J
C7			CK73FB1C105K	CHIP C	1.0UF K	C111			CM73F2H221J	CHIP C	220PF J
C8,9			CK73FB1E104K	CHIP C	0.10UF K	C117,118			CM73F2H151J	CHIP C	150PF J
C10			CK73FB1C105K	CHIP C	1.0UF K	C125			CK73EF1V225Z	CHIP C	2.2UF Z
C11			CK73FB1H102K	CHIP C	1000PF K	C127			CK73FB1H102K	CHIP C	1000PF K
C12			CE04EW1E100M	ELECTRO	10UF 25WV	C130,131			CM73F2H151J	CHIP C	150PF J
C13			CK73FB1E104K	CHIP C	0.10UF K	C132			CC73FSL1H471J	CHIP C	470PF J
C14			CK73FB1H102K	CHIP C	1000PF K	C133			CK73FB1H103K	CHIP C	0.010UF K
C15			CK73FB1E104K	CHIP C	0.10UF K	C135			CK73FB1E104K	CHIP C	0.10UF K
C16			CC73FCH1H100D	CHIP C	10PF D	C138			CK73FB1H102K	CHIP C	1000PF K
C17			CK73FB1E104K	CHIP C	0.10UF K	C139,140			CC73FSL1H331J	CHIP C	330PF J
C20			CC73FCH1H331J	CHIP C	330PF J	C141			CK73FB1H102K	CHIP C	1000PF K
C21			CK73FB1E104K	CHIP C	0.10UF K	C142			CK73FB1E104K	CHIP C	0.10UF K
C22			CK73FB1H102K	CHIP C	1000PF K	C143			CK73FB1H471K	CHIP C	470PF K
C24			CK73FB1E104K	CHIP C	0.10UF K	C144			CE04EW1E100M	ELECTRO	10UF 25WV
C25			CK73FB1C105K	CHIP C	1.0UF K	C145			CK73FB1H471K	CHIP C	470PF K
C26			CC73FCH1H390J	CHIP C	39PF J	C146			CK73FB1E104K	CHIP C	0.10UF K
C27			CC73FCH1H470J	CHIP C	47PF J	C147			CK73FB1H102K	CHIP C	1000PF K
C29,30			CK73EB1H104K	CHIP C	0.10UF K	C148			CC73FSL1H471J	CHIP C	470PF J
C31			C93-0569-05	CHIP C	56PF J	C149			CK73FB1H103K	CHIP C	0.010UF K
C32			CK73FB1H102K	CHIP C	1000PF K	C150			CM73F2H680J	CHIP C	68PF J
C33			CE04EW1E100M	ELECTRO	10UF 25WV	C151,152			C93-0554-05	CHIP C	4.0PF C
C34			CE04EW1E470M	ELECTRO	47UF 25WV	C153			CM73F2H680J	CHIP C	68PF J
C35			CK73FB1E104K	CHIP C	0.10UF K	C154,155			C93-0554-05	CHIP C	4.0PF C
C36			CK73FB1C105K	CHIP C	1.0UF K	C157			CM73F2H200J	CHIP C	20PF J
C37			CK73FB1H102K	CHIP C	1000PF K	C158,159			C93-0603-05	CHIP C	1000PF K
C38			CK73FB1E104K	CHIP C	0.10UF K	C160			C93-0560-05	CHIP C	10PF D
C39			CK73FB1H102K	CHIP C	1000PF K	C161,162			CC73FCH1H100D	CHIP C	10PF D
C40			CK73FB1C105K	CHIP C	1.0UF K	C201,202			CK73FB1H102K	CHIP C	1000PF K
C41,42			CK73FB1E104K	CHIP C	0.10UF K	C203,204			CK73FB1H103K	CHIP C	0.010UF K
C43			CK73FB1H103K	CHIP C	0.010UF K	C205			C91-2691-05	CERAMIC	470PF 250WV
C44			CK73FB1C105K	CHIP C	1.0UF K	C206			CK73FB1H103K	CHIP C	0.010UF K
C45			CK73FB1H103K	CHIP C	0.010UF K	C207			CE04EW1E471M	ELECTRO	470UF 25WV
C46			C93-0568-05	CHIP C	47PF J	C208			CK73FB1H103K	CHIP C	0.010UF K
C47			CM73F2H271J	CHIP C	270PF J	C209			CK73FB1E104K	CHIP C	0.10UF K
C48			CM73F2H391J	CHIP C	390PF J	C210			CK73FB1H103K	CHIP C	0.010UF K
						C211			CK73FB1E104K	CHIP C	0.10UF K
						C212			CK73FB1H103K	CHIP C	0.010UF K
						C213			CE04EW1E471M	ELECTRO	470UF 25WV
						C214			CK73FB1H103K	CHIP C	0.010UF K

## PARTS LIST

FINAL UNIT (X45-360X-XX)

Ref. No.	Address	New parts	Parts No.	Description	Desti-nation	Ref. No.	Address	New parts	Parts No.	Description	Desti-nation
C215			CK73FB1E104K	CHIP C 0.10UF K		C901			CC73FCH1H470J	CHIP C 47PF J	
C216			CK73FB1H102K	CHIP C 1000PF K		C903			CE04EW1E470M	ELECTRO 47UF 25WV	
C217-221			CK73FB1E104K	CHIP C 0.10UF K		C904,905			CK73FB1H471K	CHIP C 470PF K	
C222,223			CE04EW1E100M	ELECTRO 10UF 25WV		C906,907			CK73FB1H103K	CHIP C 0.010UF K	
C224			CE04EW1E102M	ELECTRO 1000UF 25WV		C908,909			CK73FB1H471K	CHIP C 470PF K	
C225,226			CK73FB1E104K	CHIP C 0.10UF K		C911,912			CK73FB1H471K	CHIP C 470PF K	
C227			C90-2021-05	ELECTRO 10UF 25WV		C914			CK73FB1C105K	CHIP C 1.0UF K	
C228,229			CK73FB1E104K	CHIP C 0.10UF K		C915			CC73FCH1H101J	CHIP C 100PF J	
C230			CE04EW1E100M	ELECTRO 10UF 25WV		C916			CK73FB1H103K	CHIP C 0.010UF K	
C231			CK73FB1E104K	CHIP C 0.10UF K		C919,920			CK73FB1H471K	CHIP C 470PF K	
C232-234			CK73FB1H103K	CHIP C 0.010UF K		C921			CK73FB1H103K	CHIP C 0.010UF K	
C235,236			CK73FB1H102K	CHIP C 1000PF K		C922			CK73FB1C105K	CHIP C 1.0UF K	
C237			CK73FB1H103K	CHIP C 0.010UF K		C924			CK73FB1H103K	CHIP C 0.010UF K	
C238			CK73FB1H102K	CHIP C 1000PF K		C926			CK73FB1H471K	CHIP C 470PF K	
C239			CE04EW1E470M	ELECTRO 47UF 25WV		C928			CE04EW1E100M	ELECTRO 10UF 25WV	
C240-244			CK73FB1H102K	CHIP C 1000PF K		C931			CC73FCH1H180J	CHIP C 18PF J	
C250			CE04EW1E471M	ELECTRO 470UF 25WV		C932			CC73FCH1H100D	CHIP C 10PF D	
C251			CK73FB1E104K	CHIP C 0.10UF K		C933			CE04EW1C470M	ELECTRO 47UF 16WV	
C252			CC73FCH1H470J	CHIP C 47PF J		C934,935			CK73FB1H471K	CHIP C 470PF K	
C253,254			CE04EW1C101M	ELECTRO 100UF 16WV		C936,937			CM73F2H330J	CHIP C 33PF J	
C255			CK73FB1H103K	CHIP C 0.010UF K		C938			CK73FB1H103K	CHIP C 0.010UF K	
C256			CE04EW1HR22M	ELECTRO 0.22UF 50WV		C940			CK73FB1H471K	CHIP C 470PF K	
C259,260			CM73F2H331J	CHIP C 330PF J		C941,942			CK73FB1H103K	CHIP C 0.010UF K	
C262			CK73EF1V225Z	CHIP C 2.2UF Z		C943			C93-0564-05	CHIP C 22PF J	
C263			CK73FB1E104K	CHIP C 0.10UF K		C944			CE04EW1E100M	ELECTRO 10UF 25WV	
C264			CK73FB1H102K	CHIP C 1000PF K		C945,946			CK73FB1H471K	CHIP C 470PF K	
C265			CK73FB1H103K	CHIP C 0.010UF K		C947			C93-0564-05	CHIP C 22PF J	
C270			C93-0561-05	CHIP C 12PF J		C948			CK73FB1H103K	CHIP C 0.010UF K	
C271			C93-0565-05	CHIP C 27PF J		C949,950			CM73F2H330J	CHIP C 33PF J	
C272,273			CK73FB1H102K	CHIP C 1000PF K	E,EB,E2	C952,953			CK73FB1H471K	CHIP C 470PF K	
C272,273			CK73FB1H102K	CHIP C 1000PF K	E2B,EX	C955			CE04EW1E100M	ELECTRO 10UF 25WV	
C274			CK73FB1H103K	CHIP C 0.010UF K		C956			CK73FB1H103K	CHIP C 0.010UF K	
C501,502			CK45FB1H103K	CERAMIC 0.010UF K		C958			CK73FB1E104K	CHIP C 0.10UF K	
C511,512			CK45FB1H103K	CERAMIC 0.010UF K		C959			CE04NW1E470M	ELECTRO 47UF 25WV	
C801-803			CK73FB1E104K	CHIP C 0.10UF K		C960,961			CM73F2H390J	CHIP C 39PF J	
C804			CK73FB1H102K	CHIP C 1000PF K		C962			CK73FB1H471K	CHIP C 470PF K	
C805,806			C91-3115-05	HV CAP 10PF 2KV		C963			CK73FB1H103K	CHIP C 0.010UF K	
C807			CK73FB1E104K	CHIP C 0.10UF K		C964			CM73F2H040D	CHIP C 4.0PF D	
C808,809			CK73FB1H103K	CHIP C 0.010UF K		C965			CE04EW1E100M	ELECTRO 10UF 25WV	
C810-815			C91-3115-05	HV CAP 10PF 2KV		C966			CK73FB1H103K	CHIP C 0.010UF K	
C816-821			CK73FB1H103K	CHIP C 0.010UF K		C967			CK73FB1H471K	CHIP C 470PF K	
C822-827			C91-3115-05	HV CAP 10PF 2KV		C968			C93-0599-05	CHIP C 470PF K	
C828-833			CK73FB1H103K	CHIP C 0.010UF K		C969			CK73FB1H471K	CHIP C 470PF K	
C834,835			C91-3115-05	HV CAP 10PF 2KV		C970			CK73FB1H103K	CHIP C 0.010UF K	
C836			C91-3126-05	HV CAP 10PF 3KV		C971			CK73FB1H471K	CHIP C 470PF K	
C837-842			CK73FB1H103K	CHIP C 0.010UF K		C973,974			CK73FB1H471K	CHIP C 470PF K	
C843			C91-3126-05	HV CAP 10PF 3KV		C976			CK73FB1H471K	CHIP C 470PF K	
C844			C91-3127-05	HV CAP 18PF 3KV		C977			C93-0599-05	CHIP C 470PF K	
C845-850			CK73FB1H103K	CHIP C 0.010UF K		C978			C93-0559-05	CHIP C 9.0PF D	
C851,852			C91-3127-05	HV CAP 18PF 3KV		C980			C93-0555-05	CHIP C 5.0PF C	
C853-858			CK73FB1H103K	CHIP C 0.010UF K		C981			CC73FCH1H471J	CHIP C 470PF J	
C859			C91-3127-05	HV CAP 18PF 3KV		C982			CM73F2H120J	CHIP C 12PF J	
C860-865			CK73FB1H103K	CHIP C 0.010UF K		C983			C93-0553-05	CHIP C 3.0PF C	
C866-869			C91-3123-05	HV CAP 150PF 3KV		C985			C93-0566-05	CHIP C 33PF J	
C870-875			CK73FB1H103K	CHIP C 0.010UF K		C987			C93-0562-05	CHIP C 15PF J	
C876,877			C91-3123-05	HV CAP 150PF 3KV		C989-991			CC73FCH1H101J	CHIP C 100PF J	
C878-883			CK73FB1H103K	CHIP C 0.010UF K		C992			CM73F2H240J	CHIP C 24PF J	
C884-887			C91-3123-05	HV CAP 150PF 3KV		C993			C93-0558-05	CHIP C 8.0PF D	
C888			CK73FB1E104K	CHIP C 0.10UF K		C994			CM73F2H060D	CHIP C 6.0PF D	
C890,891			C91-3127-05	HV CAP 18PF 3KV		C995			C93-0566-05	CHIP C 33PF J	

K : TS-2000 (K)    KB : TS-B2000 (K)    KX : TS-2000X (K)    E : TS-2000 (E)  
 EB : TS-B2000 (E)    E2 : TS-2000 (E2)    E2B : TS-B2000 (E2)    EX : TS-2000X (E)

## PARTS LIST

### FINAL UNIT (X45-360X-XX)

Ref. No.	Address	New parts	Parts No.	Description	Desti-nation	Ref. No.	Address	New parts	Parts No.	Description	Desti-nation
C996,997			CC73FCH1H471J	CHIP C 470PF J		L101,102			L34-0895-05	AIR-CORE COIL	
TC101,102			C05-0309-05	CERAMIC TRIMMER CAP (40PF)		L103,104			L34-1058-05	AIR-CORE COIL	
TC901			C05-0030-15	CERAMIC TRIMMER CAP (20PF)		L105,106			L34-1177-05	AIR-CORE COIL	
CN1,2			E04-0154-05	PIN SOCKET		L107,108			L34-0908-05	AIR-CORE COIL	
CN3			E23-0996-05	TEST TERMINAL		L109			L34-1359-05	AIR-CORE COIL	
CN4			E04-0154-05	PIN SOCKET		L111,112			L40-1095-34	SMALL FIXED INDUCTOR (1UH)	
CN5			E40-3240-05	PIN ASSY		L114			L92-0149-05	FERRITE CHIP	
CN8			E40-3237-05	PIN ASSY		L115			L34-4652-05	AIR-CORE COIL	
CN9			E40-6078-05	FLAT CABLE CONNECTOR		L116			L34-4656-05	AIR-CORE COIL	
CN10			E40-5764-05	FLAT CABLE CONNECTOR		L117			L34-1185-05	AIR-CORE COIL	
CN11,12			E23-0996-05	TEST TERMINAL		L118			L34-4652-05	AIR-CORE COIL	
CN14			E23-0996-05	TEST TERMINAL		L119			L34-4653-05	AIR-CORE COIL	
CN15			E40-3256-05	PIN ASSY		L120			L34-4402-05	AIR-CORE COIL	
CN16			E40-3254-05	PIN ASSY		L121,122			L34-0452-05	AIR-CORE COIL	
CN17			E23-0996-05	TEST TERMINAL		L124,125			L92-0149-05	FERRITE CHIP	
CN22			E40-3246-05	PIN ASSY		L126			L34-4658-05	AIR-CORE COIL	
CN27			E40-3238-05	PIN ASSY		L127			L92-0149-05	FERRITE CHIP	
CN102,103			E23-0996-05	TEST TERMINAL		L201,202			L40-4705-34	SMALL FIXED INDUCTOR (47UH)	
CN203,204			E23-1116-05	RELAY TERMINAL		L205			L40-1001-12	SMALL FIXED INDUCTOR	
CN801,802			E04-0154-05	PIN SOCKET		L206,207			L40-1005-34	SMALL FIXED INDUCTOR (10UH)	
CN901			E04-0190-05	PIN SOCKET		L208			L40-4705-34	SMALL FIXED INDUCTOR (47UH)	
CN902			E40-5765-05	FLAT CABLE CONNECTOR		L209			L40-1001-12	SMALL FIXED INDUCTOR	
CN903,904			E23-1116-05	RELAY TERMINAL		L210			L40-1095-34	SMALL FIXED INDUCTOR (1UH)	
CN905			E04-0190-05	PIN SOCKET		L211			L92-0131-05	FERRITE CHIP	
CN906			E23-0486-05	TERMINAL		L501,502			L39-0421-04	COIL	
CN907-909			E23-0996-05	TEST TERMINAL		L801			L40-1001-12	SMALL FIXED INDUCTOR	
W1			E37-0975-15	LEAD WIRE WITH TERMINAL	K,KB,KX	L802,803			L39-1441-05	TOROIDAL COIL	
W1			E37-0976-15	LEAD WIRE WITH TERMINAL	E,EB,E2	L804			L39-1440-05	TOROIDAL COIL	
W1			E37-0976-15	LEAD WIRE WITH TERMINAL	E2B,EX	L805-807			L40-4705-34	SMALL FIXED INDUCTOR (47UH)	
F1			F53-0093-05	FUSE (5A/125V)		L808			L34-4633-05	AIR-CORE COIL	
F2			F06-4027-05	FUSE (BLADE) (4A/32V)		L809-811			L40-4705-34	SMALL FIXED INDUCTOR (47UH)	
CN6,7			J13-0410-05	FUSE HOLDER		L812			L34-4630-05	AIR-CORE COIL	
-			L92-0105-05	TROIDAL CORE		L813-815			L40-4705-34	SMALL FIXED INDUCTOR (47UH)	
-			L92-0412-05	TROIDAL CORE	E,EB,E2	L816			L34-4490-05	AIR-CORE COIL	
-			L92-0412-05	TROIDAL CORE	E2B,EX	L817-819			L40-4705-34	SMALL FIXED INDUCTOR (47UH)	
L1			L40-4705-34	SMALL FIXED INDUCTOR (47UH)		L820			L34-4490-05	AIR-CORE COIL	
L2			L40-1095-34	SMALL FIXED INDUCTOR (1UH)		L821-823			L40-4705-34	SMALL FIXED INDUCTOR (47UH)	
L3			L33-0699-05	CHOKE COIL		L824			L34-4629-05	AIR-CORE COIL	
L4			L40-4705-34	SMALL FIXED INDUCTOR (47UH)		L825-827			L40-4705-34	SMALL FIXED INDUCTOR (47UH)	
L5			L39-1255-05	TOROIDAL COIL		L828			L34-4490-05	AIR-CORE COIL	
L6			L33-0699-05	CHOKE COIL		L829-831			L40-4705-34	SMALL FIXED INDUCTOR (47UH)	
L7			L39-1452-05	TOROIDAL COIL		L832			L34-4490-05	AIR-CORE COIL	
L8			L92-0131-05	FERRITE CHIP		L833-835			L40-4705-34	SMALL FIXED INDUCTOR (47UH)	
L9,10			L33-0699-05	CHOKE COIL		L852,853			L39-1441-05	TOROIDAL COIL	
L11			L39-1434-05	TOROIDAL COIL		L854			L39-1440-05	TOROIDAL COIL	
L13			L39-1434-05	TOROIDAL COIL		L855			L34-1177-05	AIR-CORE COIL	
L14-16			L33-0699-05	CHOKE COIL		L901			L40-1085-34	SMALL FIXED INDUCTOR (100NH)	
L17			L39-1451-05	TOROIDAL COIL		L902			L92-0149-05	FERRITE CHIP	
L18			L39-1437-05	TOROIDAL COIL		L903			L40-1095-34	SMALL FIXED INDUCTOR (1UH)	
L21			L34-1231-15	AIR-CORE COIL		L904			L92-0149-05	FERRITE CHIP	
L23			L40-4795-34	SMALL FIXED INDUCTOR (4.7UH)		L905			L34-0895-05	AIR-CORE COIL	
L24			L33-0617-15	CHOKE COIL		L906			L34-0742-05	AIR-CORE COIL	
L25			L33-0651-05	CHOKE COIL		L907			L92-0149-05	FERRITE CHIP	
L26			L40-4795-34	SMALL FIXED INDUCTOR (4.7UH)		L909			L34-0742-05	AIR-CORE COIL	
L27			L39-1450-05	TOROIDAL COIL		L910			L34-1185-05	AIR-CORE COIL	
L29			L39-1450-05	TOROIDAL COIL		L911			L40-1085-34	SMALL FIXED INDUCTOR (100NH)	
L30-33			L92-0149-05	FERRITE CHIP		L912			L34-0742-05	AIR-CORE COIL	
						L913			L92-0149-05	FERRITE CHIP	
						L915			L34-1232-15	AIR-CORE COIL	
						L916			L34-1231-15	AIR-CORE COIL	



## PARTS LIST

FINAL UNIT (X45-360X-XX)

Ref. No.	Address	New parts	Parts No.	Description	Destination	Ref. No.	Address	New parts	Parts No.	Description	Destination
L917			L34-1239-05	AIR-CORE COIL		R219			RK73FB2A681J	CHIP R 680 J 1/10W	
L918,919			L34-1185-05	AIR-CORE COIL		R220			RK73FB2A100J	CHIP R 10 J 1/10W	
L921,922			L34-1185-05	AIR-CORE COIL		R221			RK73FB2A4R7J	CHIP R 4.7 J 1/10W	
L923			L34-4617-15	AIR-CORE COIL		R222			R92-0679-05	CHIP R 0 OHM	
L924			L34-1239-05	AIR-CORE COIL		R223			RK73FB2A181J	CHIP R 180 J 1/10W	
L926			L40-2275-34	SMALL FIXED INDUCTOR (22NH)		R224			RK73FB2A680J	CHIP R 68 J 1/10W	
L927-931			L40-1085-34	SMALL FIXED INDUCTOR (100NH)		R225			RK73FB2A332J	CHIP R 3.3K J 1/10W	
L932			L34-4617-15	AIR-CORE COIL		R226			RK73FB2A103J	CHIP R 10K J 1/10W	
CN803,804			R92-1061-05	JUMPER REST 0 OHM		R227			RK73FB2A122J	CHIP R 1.2K J 1/10W	
R1,2			RK73FB2A101J	CHIP R 100 J 1/10W		R228			RK73FB2A270J	CHIP R 27 J 1/10W	
R3			RK73FB2A150J	CHIP R 15 J 1/10W		R501,502			RS14DB3F820J	FL-PROOF RS 82 J 3W	
R4			RK73FB2A681J	CHIP R 680 J 1/10W		R901			RK73FB2A563J	CHIP R 56K J 1/10W	
R5			RK73FB2A332J	CHIP R 3.3K J 1/10W		R902			R92-0670-05	CHIP R 0 OHM	
R6			RK73FB2A681J	CHIP R 680 J 1/10W		R903			RK73FB2A470J	CHIP R 47 J 1/10W	
R7			RK73FB2A152J	CHIP R 1.5K J 1/10W		R904			RK73FB2A274J	CHIP R 270K J 1/10W	
R8			RK73FB2A471J	CHIP R 470 J 1/10W		R906			R92-0670-05	CHIP R 0 OHM	
R9			RK73FB2A100J	CHIP R 10 J 1/10W		R907			RK73FB2A332J	CHIP R 3.3K J 1/10W	
R10			R92-0670-05	CHIP R 0 OHM		R908			R92-0670-05	CHIP R 0 OHM	
R11			RK73FB2A221J	CHIP R 220 J 1/10W		R909			RK73FB2A470J	CHIP R 47 J 1/10W	
R12			RK73FB2A391J	CHIP R 390 J 1/10W		R910			RK73FB2A183J	CHIP R 18K J 1/10W	
R13			RK73FB2A471J	CHIP R 470 J 1/10W		R911			RK73FB2A221J	CHIP R 220 J 1/10W	
R14			R92-2021-05	CHIP R 2.2 J 1/2W		R912			R92-1221-05	CHIP R 82 J 1/4W	
R15			RK73EB2B221J	CHIP R 220 J 1/8W		R913			RK73FB2A391J	CHIP R 390 J 1/10W	
R16-19			RK73FB2A1R0J	CHIP R 1.0 J 1/10W		R914			R92-1261-05	CHIP R 150 J 1/2W	
R20,21			RK73FB2A101J	CHIP R 100 J 1/10W		R915			R92-1253-05	CHIP R 82 J 1/2W	
R24			R92-1213-05	CHIP R 100 J 1/2W		R916,917			RK73FB2A681J	CHIP R 680 J 1/10W	
R25			RK73FB2A820J	CHIP R 82 J 1/10W		R918			R92-1253-05	CHIP R 82 J 1/2W	
R26			RK73FB2A270J	CHIP R 27 J 1/10W		R919-922			RK73FB2A183J	CHIP R 18K J 1/10W	
R27			R92-2018-05	CHIP R 560 J 1/2W		R923,924			RK73FB2A220J	CHIP R 22 J 1/10W	
R30			R92-1318-05	CHIP R 100 J 1W		R925			RK73FB2A390J	CHIP R 39 J 1/10W	
R31,32			R92-2673-05	RESISTOR 1.0		R928			R92-0679-05	CHIP R 0 OHM	
R33,34			R92-3511-05	RESISTOR 8.2		VR1			R12-6730-05	TRIMMING POT. (220)	
R35-40			RK73EB2E1R0J	CHIP R 1.0 J 1/4W		VR2			R12-6737-05	TRIMMING POT. (3.3K)	
R41,42			R92-1240-05	CHIP R 10 J 1/4W		VR102			R12-6737-05	TRIMMING POT. (3.3K)	
R43			RK73FB2A331J	CHIP R 330 J 1/10W		VR901			R12-6730-05	TRIMMING POT. (220)	
R44			RS14DB3A4R7J	FL-PROOF RS 4.7 J 1W		VR902			R12-6737-05	TRIMMING POT. (3.3K)	
R45,46			RS14DB3D390J	FL-PROOF RS 39 J 2W		K1			S76-0424-05	RELAY	
R101			R92-1318-05	CHIP R 100 J 1W		K201			S76-0429-05	RELAY	
R102			RS14DB3A100J	FL-PROOF RS 10 J 1W		K801,802			S76-0419-05	RELAY	
R103			RS14DB3F101J	FL-PROOF RS 100 J 3W		K803			S76-0415-05	RELAY	
R106			R92-1213-05	CHIP R 100 J 1/2W		K804,805			S76-0419-05	RELAY	
R107			R92-1212-05	CHIP R 27 J 1/2W		K806			S76-0415-05	RELAY	
R108			RK73FB2A100J	CHIP R 10 J 1/10W		K807,808			S76-0419-05	RELAY	
R109			RK73FB2A331J	CHIP R 330 J 1/10W		K809			S76-0415-05	RELAY	
R110			RK73FB2A561J	CHIP R 560 J 1/10W		K810,811			S76-0419-05	RELAY	
R111			R92-2559-05	RESISTOR 12		K812			S76-0415-05	RELAY	
R201			RK73FB2A472J	CHIP R 4.7K J 1/10W		K813,814			S76-0419-05	RELAY	
R202			R92-2536-05	CHIP R 2.2 J 1/4W		K815			S76-0415-05	RELAY	
R203			RK73FB2A472J	CHIP R 4.7K J 1/10W		K816,817			S76-0419-05	RELAY	
R204			R92-1259-05	CHIP R 18 J 1/2W		K818			S76-0415-05	RELAY	
R205			RK73FB2A102J	CHIP R 1.0K J 1/10W		K819,820			S76-0419-05	RELAY	
R206			RK73FB2A100J	CHIP R 10 J 1/10W	K,KB,KX	K821			S76-0415-05	RELAY	
R207			RK73FB2A333J	CHIP R 33K J 1/10W		K822,823			S76-0419-05	RELAY	
R208			RK73FB2A102J	CHIP R 1.0K J 1/10W		K824			S76-0415-05	RELAY	
R209-212			RK73FB2A101J	CHIP R 100 J 1/10W		D1			DAN235E	DIODE	
R213			R92-2021-05	CHIP R 2.2 J 1/2W		D2			MA2C029W-B	VARIATOR	
R214			R92-0679-05	CHIP R 0 OHM		D3			1SS355	DIODE	
R216,217			R92-0670-05	CHIP R 0 OHM		D5			DAN202K	DIODE	
R218			RK73FB2A101J	CHIP R 100 J 1/10W		D6			1SS355	DIODE	

K : TS-2000 (K)    KB : TS-B2000 (K)    KX : TS-2000X (K)    E : TS-2000 (E)  
 EB : TS-B2000 (E)    E2 : TS-2000 (E2)    E2B : TS-B2000 (E2)    EX : TS-2000X (E)

## PARTS LIST

FINAL UNIT (X45-360X-XX)

FILTER UNIT (X51-315X-XX)

Ref. No.	Address	New parts	Parts No.	Description	Destination	Ref. No.	Address	New parts	Parts No.	Description	Destination
D7,8			MA27-B	VARISTOR		C15,16			CC73FCH1H470J	CHIP C	47PF J
D101,102			MA742	DIODE		C17-26			CK73FB1H103K	CHIP C	0.010UF K
D103,104			MA27-B	VARISTOR		C27			CK73FB1H102K	CHIP C	1000PF K
D201			ZSH5MA27	SURGE ABSORBER		C28,29			CK73FB1E104K	CHIP C	0.10UF K
D202			1SS355	DIODE		C30			CE04EW1E470M	ELECTRO	47UF 25WV
D203			02CZ16(X)	ZENER DIODE		C31,32			CK73FB1H103K	CHIP C	0.010UF K
D203			02CZ16(Y)	ZENER DIODE		C34			C93-0562-05	CHIP C	15PF J
D204			1SS355	DIODE		C35			C93-0565-05	CHIP C	27PF J
D206-209			DAP202U	DIODE		C36			CK73FB1H103K	CHIP C	0.010UF K
D210			1SS355	DIODE		C37			C93-0556-05	CHIP C	6.0PF D
D211		*	02CZ12(Z)	ZENER DIODE		C38			CC73FCH1H330J	CHIP C	33PF J
D801-824			1SS355	DIODE		C38			CC73FCH1H330J	CHIP C	33PF J
D901-903			MA27-B	VARISTOR		C201			CM73F2H102J	CHIP C	1000PF J
D904,905			HSM88ASR	DIODE		C202			CM73F2H561J	CHIP C	560PF J
D906			MA4PH633	DIODE		C203			CM73F2H102J	CHIP C	1000PF J
D908			XB15A709	DIODE		C204			CM73F2H821J	CHIP C	820PF J
D909			HVU131	DIODE		C205			C93-0573-05	CHIP C	120PF J
IC201			TA7808F	IC (AVR)		C206			CM73F2H102J	CHIP C	1000PF J
IC202			TA7808S	IC (AVR)		C207			CK73FB1H103K	CHIP C	0.010UF K
IC203			BA10T	IC (AVR)		C208,209			C93-0570-05	CHIP C	68PF J
IC204			TA7805F	IC (AVR)		C251			CM73F2H561J	CHIP C	560PF J
IC205			BU2099FV	IC (EXTENDED I/O)		C252			C93-0573-05	CHIP C	120PF J
IC801-803			UPD6345GS	IC (EXTENDED I/O)		C253			CM73F2H102J	CHIP C	1000PF J
Q1			2SK2596	FET		C255			C93-0573-05	CHIP C	120PF J
Q2			2SC1971	TRANSISTOR		C256			CM73F2H561J	CHIP C	560PF J
Q3,4			2SC1972-26	TRANSISTOR		C258			CK73FB1H103K	CHIP C	0.010UF K
Q6,7			2SC5125	TRANSISTOR		C261			C93-0565-05	CHIP C	27PF J
Q8			2SC3421(Y)	TRANSISTOR		C262,263			C93-0573-05	CHIP C	120PF J
Q101,102			2SC2694	TRANSISTOR		C301,302			C93-0572-05	CHIP C	100PF J
Q103			2SC3421(Y)	TRANSISTOR		C303,304			CM73F2H471J	CHIP C	470PF J
Q201		*	IMD2A	TRANSISTOR		C305			C93-0564-05	CHIP C	22PF J
Q202,203			DTA143EKA	DIGITAL TRANSISTOR		C306			CM73F2H331J	CHIP C	330PF J
Q204,205			DTD123EK	DIGITAL TRANSISTOR		C307			CK73FB1H103K	CHIP C	0.010UF K
Q206			DTC114EKA	DIGITAL TRANSISTOR		C308			CM73F2H271J	CHIP C	270PF J
Q207			DTC143TKA	DIGITAL TRANSISTOR		C311			CM73F2H331J	CHIP C	330PF J
Q208-215			DTB143EK	DIGITAL TRANSISTOR		C351			C93-0571-05	CHIP C	82PF J
Q216,217		*	IMD2A	TRANSISTOR		C351			C93-0571-05	CHIP C	82PF J
Q218			2SC2412K(R)	TRANSISTOR		C353			C93-0568-05	CHIP C	47PF J
Q901			2SK2596	FET		C353			C93-0568-05	CHIP C	47PF J
Q902			2SK2595	FET		C355			CM73F2H471J	CHIP C	470PF J
Q903			2SC3022	TRANSISTOR		C355			CM73F2H471J	CHIP C	470PF J
Q904			2SC3421(Y)	TRANSISTOR		C356			C93-0572-05	CHIP C	100PF J
Q905			2SC3102	TRANSISTOR		C356			C93-0572-05	CHIP C	100PF J
TH101,102			157-501-55003	THERMISTOR		C357			C93-0573-05	CHIP C	120PF J
TH201			5TP-41S	THERMISTOR		C357			C93-0573-05	CHIP C	120PF J
TH901			157-153-53002	THERMISTOR		C358			CK73FB1H103K	CHIP C	0.010UF K
-			212-1021-05	INSULATING TUBE		C358			CK73FB1H103K	CHIP C	0.010UF K
<b>FILTER UNIT (X51-315X-XX) 0-11 : K,KB,KX 2-71 : E,EB,E2,E2B,EX</b>						C360			CK73FB1H103K	CHIP C	0.010UF K
C2			C93-0553-05	CHIP C	3.0PF C	C362			C93-0573-05	CHIP C	120PF J
C3			C93-0562-05	CHIP C	15PF J	C362			C93-0573-05	CHIP C	120PF J
C5			CK73FB1H103K	CHIP C	0.010UF K	C401,402			C93-0573-05	CHIP C	120PF J
C7			CK73FB1H102K	CHIP C	1000PF K	C403			C93-0569-05	CHIP C	56PF J
C8			CC73FCH1H680J	CHIP C	68PF J	C403			C93-0569-05	CHIP C	56PF J
C9			C93-0553-05	CHIP C	3.0PF C	C403			C93-0572-05	CHIP C	100PF J
C10			CC73FCH1H560J	CHIP C	56PF J	C404,405			C93-0573-05	CHIP C	120PF J
C11			CK73FB1H102K	CHIP C	1000PF K	C406			C93-0565-05	CHIP C	27PF J
C12-14			CK73FB1H103K	CHIP C	0.010UF K	C406			C93-0565-05	CHIP C	27PF J
						C406			C93-0567-05	CHIP C	39PF J
						C407			C93-0566-05	CHIP C	33PF J
						C407			C93-0571-05	CHIP C	82PF J

## PARTS LIST

### FILTER UNIT (X51-315X-XX)

Ref. No.	Address	New parts	Parts No.	Description	Desti-nation	Ref. No.	Address	New parts	Parts No.	Description	Desti-nation
C407			C93-0571-05	CHIP C 82PF J	E2B,EX	L252			L39-1405-05	TOROIDAL COIL	
C408			CK73FB1H103K	CHIP C 0.010UF K		L253			L39-1225-05	TOROIDAL COIL	
C411			C93-0560-05	CHIP C 10PF D	K,KB,KX	L301			L40-4705-34	SMALL FIXED INDUCTOR (47UH)	
C451,452			C93-0562-05	CHIP C 15PF J		L302,303			L39-1457-05	TOROIDAL COIL	
C453			C93-0572-05	CHIP C 100PF J		L351			L40-4705-34	SMALL FIXED INDUCTOR (47UH)	E,EB,E2
C454			C93-0571-05	CHIP C 82PF J		L351			L40-4705-34	SMALL FIXED INDUCTOR (47UH)	E2B,EX
C455			C93-0566-05	CHIP C 33PF J		L352,353			L39-1221-05	TOROIDAL COIL	E,EB,E2
C456			C93-0571-05	CHIP C 82PF J		L352,353			L39-1221-05	TOROIDAL COIL	E2B,EX
C457			CK73FB1H103K	CHIP C 0.010UF K		L401			L40-4705-34	SMALL FIXED INDUCTOR (47UH)	
C458			C93-0552-05	CHIP C 2.0PF C		L402-404			L39-1456-05	TOROIDAL COIL	
C501			C93-0571-05	CHIP C 82PF J		L451			L40-4705-34	SMALL FIXED INDUCTOR (47UH)	
C502			C93-0569-05	CHIP C 56PF J		L452,453			L34-1279-05	AIR-CORE COIL	
C503			C93-0571-05	CHIP C 82PF J		L501			L40-4705-34	SMALL FIXED INDUCTOR (47UH)	
C504			C93-0572-05	CHIP C 100PF J		L502			L34-4661-05	AIR-CORE COIL	
C505			C93-0562-05	CHIP C 15PF J		L503			L34-1282-05	AIR-CORE COIL	
C506			C93-0570-05	CHIP C 68PF J		L551			L40-4705-34	SMALL FIXED INDUCTOR (47UH)	
C507			CK73FB1H103K	CHIP C 0.010UF K		L552			L34-4662-05	AIR-CORE COIL	
C508			C93-0555-05	CHIP C 5.0PF C		L553			L34-4491-05	AIR-CORE COIL	
C509			C93-0552-05	CHIP C 2.0PF C		L554			L34-1359-05	AIR-CORE COIL	
C551			C93-0558-05	CHIP C 8.0PF D		R2,3			R92-1205-05	CHIP R 120 J 1/4W	
C553			C93-0568-05	CHIP C 47PF J		R5			RK73FB2A100J	CHIP R 10 J 1/10W	
C554			C93-0559-05	CHIP C 9.0PF D		R6			R92-0686-05	CHIP R 33 J 1/2W	
C555			C93-0569-05	CHIP C 56PF J		R7			R92-1212-05	CHIP R 27 J 1/2W	
C557			C93-0562-05	CHIP C 15PF J		R8			R92-1316-05	CHIP R 39 J 1W	
C558			C93-0563-05	CHIP C 18PF J		R9,10			RK73FB2A101J	CHIP R 100 J 1/10W	
C559,560			CK73FB1H103K	CHIP C 0.010UF K		R11-14			RK73FB2A104J	CHIP R 100K J 1/10W	
C561			C93-0558-05	CHIP C 8.0PF D		R15,16			RK73FB2A102J	CHIP R 1.0K J 1/10W	
C562			C93-0554-05	CHIP C 4.0PF C		R17,18			RK73FB2A101J	CHIP R 100 J 1/10W	
C563			C93-0553-05	CHIP C 3.0PF C		R19,20			RK73FB2A104J	CHIP R 100K J 1/10W	
C601			C93-0555-05	CHIP C 5.0PF C		R21,22			RK73FB2A103J	CHIP R 10K J 1/10W	
TC1			C05-0031-15	CERAMIC TRIMMER CAP (10PF)		R23,24			RK73FB2A152J	CHIP R 1.5K J 1/10W	
CN2,3			E23-0996-05	TEST TERMINAL		R25,26			RK73FB2A102J	CHIP R 1.0K J 1/10W	
CN4			E04-0154-05	PIN SOCKET		R27,28			RK73FB2A332J	CHIP R 3.3K J 1/10W	
CN5-8			E23-0996-05	TEST TERMINAL		R29,30			RK73FB2A151J	CHIP R 150 J 1/10W	
CN9			E40-3256-05	PIN ASSY		R31,32			RK73FB2A122J	CHIP R 1.2K J 1/10W	
CN10			E40-3254-05	PIN ASSY		R33			RK73FB2A103J	CHIP R 10K J 1/10W	
CN12,13			E04-0154-05	PIN SOCKET		R34			RK73FB2A332J	CHIP R 3.3K J 1/10W	
CN20			E04-0154-05	PIN SOCKET		R35			RK73FB2A103J	CHIP R 10K J 1/10W	
CN21			E04-0190-05	PIN SOCKET		R36			RK73FB2A332J	CHIP R 3.3K J 1/10W	
-			L92-0104-05	TROIDAL CORE		R37,38			RK73FB2A103J	CHIP R 10K J 1/10W	
-			L92-0107-05	TROIDAL CORE		R39			RK73FB2A101J	CHIP R 100 J 1/10W	
-			L92-0108-05	TROIDAL CORE		R40			RK73FB2A333J	CHIP R 33K J 1/10W	
L2,3			L34-1232-15	AIR-CORE COIL		R41			R92-0670-05	CHIP R 0 OHM	K,KB,KX
L4			L40-1095-34	SMALL FIXED INDUCTOR (1UH)		VR1			R12-6730-05	TRIMMING POT. (220)	
L5			L34-1088-05	AIR-CORE COIL		VR2			R12-6742-05	TRIMMING POT. (22K)	
L6			L40-1021-12	SMALL FIXED INDUCTOR		K1			S51-1429-05	RELAY	
L7			L39-0480-15	TOROIDAL COIL		K2			S76-0430-05	RELAY	
L8			L40-1021-12	SMALL FIXED INDUCTOR		K3,4			S76-0424-05	RELAY	
L9			L39-1442-05	TOROIDAL COIL		K201,202			S76-0423-05	RELAY	
L10			L39-1443-05	TOROIDAL COIL		K251,252			S76-0423-05	RELAY	
L11,12			L40-4705-34	SMALL FIXED INDUCTOR (47UH)		K301,302			S76-0423-05	RELAY	
L13			L40-1885-48	SMALL FIXED INDUCTOR (180NH)		K351,352			S76-0423-05	RELAY	E,EB,E2
L14,15			L40-4705-34	SMALL FIXED INDUCTOR (47UH)		K351,352			S76-0423-05	RELAY	E2B,EX
L16			L40-2775-34	SMALL FIXED INDUCTOR (27NH)	E,EB,E2	K401,402			S76-0423-05	RELAY	
L16			L40-2775-34	SMALL FIXED INDUCTOR (27NH)	E2B,EX	K451,452			S76-0423-05	RELAY	
L201			L40-4705-34	SMALL FIXED INDUCTOR (47UH)		K501,502			S51-1420-05	RELAY	
L202			L39-1259-05	TOROIDAL COIL		K551,552			S51-1420-05	RELAY	
L203			L39-1260-05	TOROIDAL COIL		D2			1SS355	DIODE	
L251			L40-4705-34	SMALL FIXED INDUCTOR (47UH)							

K : TS-2000 (K)    KB : TS-B2000 (K)    KX : TS-2000X (K)    E : TS-2000 (E)  
 EB : TS-B2000 (E)    E2 : TS-2000 (E2)    E2B : TS-B2000 (E2)    EX : TS-2000X (E)

## PARTS LIST

### FILTER UNIT (X51-315X-XX)

### CONTROL UNIT (X53-391X-XX)

Ref. No.	Address	New parts	Parts No.	Description	Destination
D3,4			1SS348	DIODE	E,EB,E2 E2B,EX
D5-7			1SS355	DIODE	
D8,9			DSA301LA	DIODE	
D10,11			HSM88AS	DIODE	
D201			1SS355	DIODE	
D251			1SS355	DIODE	
D301			1SS355	DIODE	
D351			1SS355	DIODE	
D351			1SS355	DIODE	
D401			1SS355	DIODE	
D451			1SS355	DIODE	
D501			1SS355	DIODE	
D551			1SS355	DIODE	
IC1			TA75S393F	IC (COMPARATOR)	
IC2			TC7WH74FU	IC (D FLIP-FLOP)	
Q1,2			2SK208(GR)	FET	
Q3,4			FMW1	TRANSISTOR	
<b>CONTROL UNIT (X53-391X-XX)</b>					
<b>0-11 : K,KB,KX 2-71 : E,EB,EX 2-72 : E2,E2B</b>					
C1-7			CK73GB1H102K	CHIP C 1000PF K	
C8-11			CK73GB1C104K	CHIP C 0.10UF K	
C12-15			CC73GCH1H101J	CHIP C 100PF J	
C16,17			CK73GB1C104K	CHIP C 0.10UF K	
C18			CK73GB1H103K	CHIP C 0.010UF K	
C19			C92-0562-05	ELECTRO 330UF 6.3WV	
C20,21			CK73GB1C104K	CHIP C 0.10UF K	
C22			CK73GB1H103K	CHIP C 0.010UF K	
C23,24			CK73GB1C104K	CHIP C 0.10UF K	
C25			CK73GB1H103K	CHIP C 0.010UF K	
C26			C92-0041-05	CHIP-ELE 10UF 10WV	
C27			C92-0560-05	CHIP-TAN 10UF 6.3WV	
C28-33			CK73GB1H103K	CHIP C 0.010UF K	
C34,35			CC73GCH1H100D	CHIP C 10PF D	
C36-44			CK73GB1H103K	CHIP C 0.010UF K	
C45-48			CK73GB1H102K	CHIP C 1000PF K	
C49			CK73GB1C104K	CHIP C 0.10UF K	
C50-62			CK73GB1H102K	CHIP C 1000PF K	
C64			CK73GB1C104K	CHIP C 0.10UF K	
C66-79			CK73GB1H103K	CHIP C 0.010UF K	
C80-83			CK73GB1H102K	CHIP C 1000PF K	
C84-86			CC73GCH1H101J	CHIP C 100PF J	
C87-91			CK73GB1H102K	CHIP C 1000PF K	
C92			CC73GCH1H101J	CHIP C 100PF J	
C93,94			CK73GB1H102K	CHIP C 1000PF K	
C95-98			CC73GCH1H101J	CHIP C 100PF J	
C99,100			CK73GB1H102K	CHIP C 1000PF K	
C101-110			CC73GCH1H101J	CHIP C 100PF J	
C111			CK73GB1H103K	CHIP C 0.010UF K	
C112-127			CK73GB1H102K	CHIP C 1000PF K	
C128-139			CC73GCH1H101J	CHIP C 100PF J	
C140-143			CK73GB1H102K	CHIP C 1000PF K	
C145			CK73GB1C104K	CHIP C 0.10UF K	
C147,148			CC73GCH1H160J	CHIP C 16PF J	
C149			CK73GB1C104K	CHIP C 0.10UF K	
C150			CK73GB1H103K	CHIP C 0.010UF K	
C151			CK73GB1C104K	CHIP C 0.10UF K	
C152			CK73FB1A105K	CHIP C 1.0UF K	
C153,154			CK73GB1C104K	CHIP C 0.10UF K	
C155			CK73GB1E223K	CHIP C 0.022UF K	
C156			CC73GCH1H221J	CHIP C 220PF J	
C157			CK73GB1H222K	CHIP C 2200PF K	
C158			CK73GB1C104K	CHIP C 0.10UF K	
C159			CK73GB1H682K	CHIP C 6800PF K	
C160			CK73GB1E223K	CHIP C 0.022UF K	
C161			CK73GB1H102K	CHIP C 1000PF K	
C162			CK73GB1H103K	CHIP C 0.010UF K	
C163			CK73GB1H682K	CHIP C 6800PF K	
C164			CK73GB1E223K	CHIP C 0.022UF K	
C165			CK73GB1H682K	CHIP C 6800PF K	
C166			CK73GB1H471K	CHIP C 470PF K	
C167			CC73GCH1H101J	CHIP C 100PF J	
C168			CK73GB1H472K	CHIP C 4700PF K	
C169			CK73GB1H103K	CHIP C 0.010UF K	
C170			CK73GB1H471K	CHIP C 470PF K	
C171			CK73GB1C104K	CHIP C 0.10UF K	
C172,173			CK73FB1A105K	CHIP C 1.0UF K	
C174			CK73GB1H103K	CHIP C 0.010UF K	
C175			CK73GB1C473K	CHIP C 0.047UF K	
C176,177			CK73GB1C104K	CHIP C 0.10UF K	
C178,179			CK73GB1H102K	CHIP C 1000PF K	
C180			C92-0523-05	CHIP-ELE 10UF 16WV	
C181			CK73GB1C473K	CHIP C 0.047UF K	
C182,183			CK73GB1C104K	CHIP C 0.10UF K	
C185			CK73FB1A105K	CHIP C 1.0UF K	
C186			CK73GB1C104K	CHIP C 0.10UF K	
C187			CK73GB1H102K	CHIP C 1000PF K	
C188			CK73GB1C104K	CHIP C 0.10UF K	
C501,502			CK73GB1C104K	CHIP C 0.10UF K	
C503			C92-0048-05	ELECTRO 100UF 6.3WV	
C504-507			CK73GB1H103K	CHIP C 0.010UF K	
C508			C92-0048-05	ELECTRO 100UF 6.3WV	
C509-519			CK73GB1H103K	CHIP C 0.010UF K	
C520			CK73GB1C104K	CHIP C 0.10UF K	
C521			CK73GB1H103K	CHIP C 0.010UF K	
C522			CK73GB1C104K	CHIP C 0.10UF K	
C523			C92-0048-05	ELECTRO 100UF 6.3WV	
C524,525			CK73GB1H103K	CHIP C 0.010UF K	
C526			CK73GB1C104K	CHIP C 0.10UF K	
C527			CK73GB1H103K	CHIP C 0.010UF K	
C528,529			CK73GB1C104K	CHIP C 0.10UF K	
C530,531			CK73GB1H103K	CHIP C 0.010UF K	
C532			CK73GB1C104K	CHIP C 0.10UF K	
C533,534			CC73GCH1H100D	CHIP C 10PF D	
C535			CK73GB1C104K	CHIP C 0.10UF K	
C536			CK73GB1H103K	CHIP C 0.010UF K	
C537			CK73GB1C104K	CHIP C 0.10UF K	
C538			C92-0048-05	ELECTRO 100UF 6.3WV	
C539,540			CK73GB1H103K	CHIP C 0.010UF K	
C541			CK73GB1C104K	CHIP C 0.10UF K	
C542			CK73GB1H103K	CHIP C 0.010UF K	
C543,544			CK73GB1C104K	CHIP C 0.10UF K	
C545,546			CK73GB1H103K	CHIP C 0.010UF K	
C547			CK73GB1C104K	CHIP C 0.10UF K	
C548,549			CC73GCH1H100D	CHIP C 10PF D	
C550			CK73GB1H103K	CHIP C 0.010UF K	
C551,552			CK73GB1H102K	CHIP C 1000PF K	
C553,554			CK73GB1C104K	CHIP C 0.10UF K	

## PARTS LIST

### CONTROL UNIT (X53-391X-XX)

Ref. No.	Address	New parts	Parts No.	Description	Destination	Ref. No.	Address	New parts	Parts No.	Description	Destination
C555,556			C92-0041-05	CHIP-ELE 10UF 10WV		C639-641			C92-0560-05	CHIP-TAN 10UF 6.3WV	
C557,558			CK73GB1C104K	CHIP C 0.10UF K		C642			CK73GB1C104K	CHIP C 0.10UF K	
C559			CC73GCH1H100D	CHIP C 10PF D		C643			CK73GB1H103K	CHIP C 0.010UF K	
C560,561			CK73GB1H103K	CHIP C 0.010UF K		C644			C92-0560-05	CHIP-TAN 10UF 6.3WV	
C562			CC73GCH1H100D	CHIP C 10PF D		C645			CK73GB1C104K	CHIP C 0.10UF K	
C563			C92-0048-05	ELECTRO 100UF 6.3WV		C646,647			C92-0560-05	CHIP-TAN 10UF 6.3WV	
C564			CK73GB1H103K	CHIP C 0.010UF K		C648			CK73GB1H681K	CHIP C 680PF K	
C565			C92-0560-05	CHIP-TAN 10UF 6.3WV		C649			CK73GB1H682K	CHIP C 6800PF K	
C566,567			C92-0507-05	CHIP-TAN 4.7UF 6.3WV		C650			CK73GB1H103K	CHIP C 0.010UF K	
C568-570			CK73GB1C104K	CHIP C 0.10UF K		C651-655			CK73GB1C104K	CHIP C 0.10UF K	
C571,572			C92-0507-05	CHIP-TAN 4.7UF 6.3WV		C656,657			CK73GB1E223K	CHIP C 0.022UF K	
C573-575			CK73GB1C104K	CHIP C 0.10UF K		C658			CK73GB1H102K	CHIP C 1000PF K	
C576,577			CK73GB1H222K	CHIP C 2200PF K		C659			C92-0004-05	CHIP-TAN 1.0UF 16WV	
C578			C92-0560-05	CHIP-TAN 10UF 6.3WV		C660-673			CK73GB1H102K	CHIP C 1000PF K	
C579,580			C92-0507-05	CHIP-TAN 4.7UF 6.3WV		C674			CC73GCH1H101J	CHIP C 100PF J	
C581-583			CK73GB1C104K	CHIP C 0.10UF K		C675-678			CK73GB1H102K	CHIP C 1000PF K	
C584,585			C92-0507-05	CHIP-TAN 4.7UF 6.3WV		C700			C92-0041-05	CHIP-ELE 10UF 10WV	
C586-588			CK73GB1C104K	CHIP C 0.10UF K		C701			CK73GB1C104K	CHIP C 0.10UF K	
C589,590			CK73GB1H222K	CHIP C 2200PF K		C702			C92-0560-05	CHIP-TAN 10UF 6.3WV	
C591			CK73GB1H272K	CHIP C 2700PF K		C703			CK73GB1C104K	CHIP C 0.10UF K	
C592,593			CC73GCH1H331J	CHIP C 330PF J		C704			C92-0560-05	CHIP-TAN 10UF 6.3WV	
C594			CK73GB1H103K	CHIP C 0.010UF K		C705			CK73FB1A105K	CHIP C 1.0UF K	
C595			C92-0560-05	CHIP-TAN 10UF 6.3WV		C708			CK73FB1A105K	CHIP C 1.0UF K	
C596			CK73GB1C104K	CHIP C 0.10UF K		C711-714			CK73GB1H102K	CHIP C 1000PF K	
C599			C92-0560-05	CHIP-TAN 10UF 6.3WV		C715			C92-0507-05	CHIP-TAN 4.7UF 6.3WV	
C600			CK73GB1H103K	CHIP C 0.010UF K		C716			C92-0041-05	CHIP-ELE 10UF 10WV	
C601			C92-0560-05	CHIP-TAN 10UF 6.3WV		C717			CK73GB1H102K	CHIP C 1000PF K	
C602			CK73GB1C104K	CHIP C 0.10UF K		C718			CC73GCH1H220J	CHIP C 22PF J	
C603			C92-0560-05	CHIP-TAN 10UF 6.3WV		C719-728			CK73GB1H102K	CHIP C 1000PF K	
C604			CC73GCH1H151J	CHIP C 150PF J		C729			C92-0560-05	CHIP-TAN 10UF 6.3WV	
C605			CK73GB1H152K	CHIP C 1500PF K		CN1			E40-5762-05	FLAT CABLE CONNECTOR	
C606			C92-0560-05	CHIP-TAN 10UF 6.3WV		CN3			E40-3250-05	PIN ASSY	
C607			CK73GB1H103K	CHIP C 0.010UF K		CN4			E40-5978-05	FLAT CABLE CONNECTOR	
C608			C92-0560-05	CHIP-TAN 10UF 6.3WV		CN5			E40-6074-05	FLAT CABLE CONNECTOR	
C609			CK73GB1C104K	CHIP C 0.10UF K		CN6			E40-5902-05	FLAT CABLE CONNECTOR	
C610			C92-0560-05	CHIP-TAN 10UF 6.3WV		CN7			E40-5744-05	FLAT CABLE CONNECTOR	
C611			CK73GB1H471K	CHIP C 470PF K		CN503			E40-3251-05	PIN ASSY	
C612			CK73GB1H472K	CHIP C 4700PF K		CN504			E40-5902-05	FLAT CABLE CONNECTOR	
C613			CK73GB1H103K	CHIP C 0.010UF K		CN505			E40-3248-05	PIN ASSY	
C614			CK73GB1H102K	CHIP C 1000PF K		CN506			E40-3250-05	PIN ASSY	
C615,616			C92-0560-05	CHIP-TAN 10UF 6.3WV		L1,2			L33-0742-05	SMALL FIXED INDUCTOR	
C617			CK73GB1C104K	CHIP C 0.10UF K		L3,4			L92-0137-05	FERRITE CHIP	
C618			C92-0560-05	CHIP-TAN 10UF 6.3WV		L5-8			L40-1005-85	SMALL FIXED INDUCTOR (10U)	
C619			CK73GB1H103K	CHIP C 0.010UF K		L9			L92-0137-05	FERRITE CHIP	
C620			C92-0560-05	CHIP-TAN 10UF 6.3WV		L10,11			L33-0742-05	SMALL FIXED INDUCTOR	
C621			CK73GB1C104K	CHIP C 0.10UF K		L13			L40-1005-85	SMALL FIXED INDUCTOR (10U)	
C622,623			C92-0560-05	CHIP-TAN 10UF 6.3WV		L14			L33-0742-05	SMALL FIXED INDUCTOR	
C624			CK73GB1H103K	CHIP C 0.010UF K		L15-17			L40-1005-85	SMALL FIXED INDUCTOR (10U)	
C625			CK73GB1H102K	CHIP C 1000PF K		L502			L33-0742-05	SMALL FIXED INDUCTOR	
C626			CK73GB1H103K	CHIP C 0.010UF K		L504-508			L40-1005-85	SMALL FIXED INDUCTOR (10U)	
C627			CK73GB1H102K	CHIP C 1000PF K		X1			L77-1680-05	CRYSTAL RESONATOR (11.0592MHZ)	
C628,629			C92-0560-05	CHIP-TAN 10UF 6.3WV		X2			L78-0459-05	RESONATOR (4.19MHZ)	
C630			CK73GB1H103K	CHIP C 0.010UF K		X3			L77-1780-05	CRYSTAL RESONATOR (7.9872MHZ)	
C631			C92-0560-05	CHIP-TAN 10UF 6.3WV		X501,502			L77-1680-05	CRYSTAL RESONATOR (11.0592MHZ)	
C632			CK73GB1C104K	CHIP C 0.10UF K		X503			L77-1679-05	CRYSTAL RESONATOR (12.288MHZ)	
C633,634			C92-0560-05	CHIP-TAN 10UF 6.3WV		CP1,2			RK75GB1J101J	CHIP-COM 100 J 1/16W	
C635			CK73GB1H103K	CHIP C 0.010UF K		CP3-16			RK75GB1J473J	CHIP-COM 47K J 1/16W	
C636			CK73GB1H102K	CHIP C 1000PF K		CP18-33			RK75GB1J101J	CHIP-COM 100 J 1/16W	
C637			CK73GB1H472K	CHIP C 4700PF K		CP501-503			RK75GB1J473J	CHIP-COM 47K J 1/16W	
C638			CK73GB1H471K	CHIP C 470PF K		CP504-508			RK75GB1J101J	CHIP-COM 100 J 1/16W	

K : TS-2000 (K)    KB : TS-B2000 (K)    KX : TS-2000X (K)    E : TS-2000 (E)  
 EB : TS-B2000 (E)    E2 : TS-2000 (E2)    E2B : TS-B2000 (E2)    EX : TS-2000X (E)

## PARTS LIST

### CONTROL UNIT (X53-391X-XX)

Ref. No.	Address	New parts	Parts No.	Description	Destination	Ref. No.	Address	New parts	Parts No.	Description	Destination
R1,2			RK73GB1J472J	CHIP R 4.7K J 1/16W		R200			R92-1252-05	CHIP R 0 OHM J 1/16W	
R3			RK73GB1J103J	CHIP R 10K J 1/16W		R201-204			RK73GB1J473J	CHIP R 47K J 1/16W	
R5			RK73GB1J473J	CHIP R 47K J 1/16W		R206,207			RK73GB1J473J	CHIP R 47K J 1/16W	
R7			R92-0686-05	CHIP R 33 J 1/2W		R209-211			RK73GB1J473J	CHIP R 47K J 1/16W	
R9,10			RK73GB1J473J	CHIP R 47K J 1/16W		R213			RK73GB1J104J	CHIP R 100K J 1/16W	
R11,12			RK73GB1J102J	CHIP R 1.0K J 1/16W		R214			RK73GB1J473J	CHIP R 47K J 1/16W	
R13-17			RK73GB1J473J	CHIP R 47K J 1/16W		R215			RK73GB1J104J	CHIP R 100K J 1/16W	
R19-26			RK73GB1J473J	CHIP R 47K J 1/16W		R216,217			RK73GB1J473J	CHIP R 47K J 1/16W	
R28			RK73GB1J101J	CHIP R 100 J 1/16W		R218			RK73GB1J474J	CHIP R 470K J 1/16W	
R45			RK73GB1J473J	CHIP R 47K J 1/16W		R219			RK73GB1J104J	CHIP R 100K J 1/16W	
R46			RK73GB1J105J	CHIP R 1.0M J 1/16W		R220			R92-1252-05	CHIP R 0 OHM J 1/16W	
R47			R92-1252-05	CHIP R 0 OHM J 1/16W	E2,E2B	R221,222			RK73GB1J473J	CHIP R 47K J 1/16W	
R48			R92-1252-05	CHIP R 0 OHM J 1/16W	E,EB,EX	R223			RK73GB1J183J	CHIP R 18K J 1/16W	
R52-54			R92-1252-05	CHIP R 0 OHM J 1/16W	E,EB,E2	R224			RK73GB1J103J	CHIP R 10K J 1/16W	
R52-54			R92-1252-05	CHIP R 0 OHM J 1/16W	E2B,EX	R225			R92-1252-05	CHIP R 0 OHM J 1/16W	
R52,53			R92-1252-05	CHIP R 0 OHM J 1/16W	K,KB,KX	R226			RK73GB1J222J	CHIP R 2.2K J 1/16W	
R55-58			RK73GB1J101J	CHIP R 100 J 1/16W		R228			RK73GB1J473J	CHIP R 47K J 1/16W	
R67			RK73GB1J101J	CHIP R 100 J 1/16W		R501,502			R92-2685-05	METAL GLAZE RESISTOR	
R100			RK73GB1J101J	CHIP R 100 J 1/16W		R503,504			R92-2686-05	METAL GLAZE RESISTOR	
R101			RK73GB1J471J	CHIP R 470 J 1/16W		R505			R92-2685-05	METAL GLAZE RESISTOR	
R114			RK73GB1J101J	CHIP R 100 J 1/16W		R506,507			R92-2686-05	METAL GLAZE RESISTOR	
R117			RK73GB1J101J	CHIP R 100 J 1/16W		R508			R92-2685-05	METAL GLAZE RESISTOR	
R120			RK73GB1J104J	CHIP R 100K J 1/16W		R509,510			R92-2686-05	METAL GLAZE RESISTOR	
R121,122			R92-1252-05	CHIP R 0 OHM J 1/16W		R511			R92-2685-05	METAL GLAZE RESISTOR	
R124			RK73GB1J103J	CHIP R 10K J 1/16W		R512,513			R92-2686-05	METAL GLAZE RESISTOR	
R125			RK73GB1J102J	CHIP R 1.0K J 1/16W		R514-516			R92-2685-05	METAL GLAZE RESISTOR	
R126			RK73GB1J103J	CHIP R 10K J 1/16W		R517			R92-2686-05	METAL GLAZE RESISTOR	
R127			RK73GB1J472J	CHIP R 4.7K J 1/16W		R518			R92-2685-05	METAL GLAZE RESISTOR	
R128			RK73GB1J103J	CHIP R 10K J 1/16W		R519,520			R92-2686-05	METAL GLAZE RESISTOR	
R129			R92-1252-05	CHIP R 0 OHM J 1/16W		R521			R92-2685-05	METAL GLAZE RESISTOR	
R130			RK73GB1J103J	CHIP R 10K J 1/16W		R522,523			R92-2686-05	METAL GLAZE RESISTOR	
R131			RK73GB1J104J	CHIP R 100K J 1/16W		R524			R92-2685-05	METAL GLAZE RESISTOR	
R132			RK73GB1J103J	CHIP R 10K J 1/16W		R525,526			R92-2686-05	METAL GLAZE RESISTOR	
R133,134			RK73GB1J332J	CHIP R 3.3K J 1/16W		R527			R92-2685-05	METAL GLAZE RESISTOR	
R135,136			RK73GB1J123J	CHIP R 12K J 1/16W		R528			R92-2686-05	METAL GLAZE RESISTOR	
R137			RK73GB1J393J	CHIP R 39K J 1/16W		R529-531			R92-2685-05	METAL GLAZE RESISTOR	
R138			RK73GB1J103J	CHIP R 10K J 1/16W		R532			R92-2686-05	METAL GLAZE RESISTOR	
R139			RK73GB1J222J	CHIP R 2.2K J 1/16W		R533-536			RK73GB1J473J	CHIP R 47K J 1/16W	
R140			RK73GB1J823J	CHIP R 82K J 1/16W		R537			R92-1252-05	CHIP R 0 OHM J 1/16W	
R141			RK73GB1J103J	CHIP R 10K J 1/16W		R538-540			RK73GB1J103J	CHIP R 10K J 1/16W	
R142,143			RK73GB1J123J	CHIP R 12K J 1/16W		R541-550			R92-1252-05	CHIP R 0 OHM J 1/16W	
R144			RK73GB1J103J	CHIP R 10K J 1/16W		R552,553			RK73GB1J103J	CHIP R 10K J 1/16W	
R145			RK73GB1J123J	CHIP R 12K J 1/16W		R554,555			RK73GB1J101J	CHIP R 100 J 1/16W	
R146			RK73GB1J473J	CHIP R 47K J 1/16W		R557			R92-1252-05	CHIP R 0 OHM J 1/16W	
R147			RK73GB1J683J	CHIP R 68K J 1/16W		R558			RK73GB1J101J	CHIP R 100 J 1/16W	
R148			RK73GB1J332J	CHIP R 3.3K J 1/16W		R559-561			RK73GB1J103J	CHIP R 10K J 1/16W	
R149			RK73GB1J104J	CHIP R 100K J 1/16W		R563			RK73GB1J103J	CHIP R 10K J 1/16W	
R150			RK73GB1J103J	CHIP R 10K J 1/16W		R565,566			RK73GB1J472J	CHIP R 4.7K J 1/16W	
R151			RK73GB1J104J	CHIP R 100K J 1/16W		R567			RK73GB1J474J	CHIP R 470K J 1/16W	
R152,153			RK73GB1J223J	CHIP R 22K J 1/16W		R568			RK73GB1J473J	CHIP R 47K J 1/16W	
R154			RK73GB1J102J	CHIP R 1.0K J 1/16W		R570,571			RK73GB1J103J	CHIP R 10K J 1/16W	
R155			RK73GB1J272J	CHIP R 2.7K J 1/16W		R572,573			RK73GB1J101J	CHIP R 100 J 1/16W	
R157			RK73GB1J104J	CHIP R 100K J 1/16W		R575			R92-1252-05	CHIP R 0 OHM J 1/16W	
R158			RK73GB1J563J	CHIP R 56K J 1/16W		R576			RK73GB1J101J	CHIP R 100 J 1/16W	
R159			RK73GB1J272J	CHIP R 2.7K J 1/16W		R577-581			RK73GB1J103J	CHIP R 10K J 1/16W	
R160			RK73GB1J102J	CHIP R 1.0K J 1/16W		R582,583			RK73GB1J472J	CHIP R 4.7K J 1/16W	
R161			RK73GB1J103J	CHIP R 10K J 1/16W		R584			RK73GB1J474J	CHIP R 470K J 1/16W	
R162,163			RK73GB1J102J	CHIP R 1.0K J 1/16W		R585,586			RK73GB1J104J	CHIP R 100K J 1/16W	
R164,165			RK73GB1J473J	CHIP R 47K J 1/16W		R588,589			RK73GB1J103J	CHIP R 10K J 1/16W	
R186-188			RK73GB1J101J	CHIP R 100 J 1/16W		R590,591			RK73GB1J100J	CHIP R 10 J 1/16W	

K : TS-2000 (K)    KB : TS-B2000 (K)    KX : TS-2000X (K)    E : TS-2000 (E)  
 EB : TS-B2000 (E)    E2 : TS-2000 (E2)    E2B : TS-B2000 (E2)    EX : TS-2000X (E)

## PARTS LIST

### CONTROL UNIT (X53-391X-XX)

Ref. No.	Address	New parts	Parts No.	Description	Destination	Ref. No.	Address	New parts	Parts No.	Description	Destination
R592			RK73GB1J103J	CHIP R 10K J 1/16W		R717			R92-1252-05	CHIP R 0 OHM J 1/16W	
R593			RK73GB1J100J	CHIP R 10 J 1/16W		R718,719			RK73GB1J473J	CHIP R 47K J 1/16W	
R594,595			RK73GB1J103J	CHIP R 10K J 1/16W		R720,721			RK73GB1J104J	CHIP R 100K J 1/16W	
R596			RK73GB1J562J	CHIP R 5.6K J 1/16W		R722,723			R92-1252-05	CHIP R 0 OHM J 1/16W	
R597			RK73GB1J103J	CHIP R 10K J 1/16W		R725			R92-1252-05	CHIP R 0 OHM J 1/16W	
R598			RK73GB1J562J	CHIP R 5.6K J 1/16W		R731			R92-1252-05	CHIP R 0 OHM J 1/16W	
R599			RK73GB1J103J	CHIP R 10K J 1/16W		R736			R92-1252-05	CHIP R 0 OHM J 1/16W	
R600,601			RK73GB1J472J	CHIP R 4.7K J 1/16W		R738			RK73GB1J561J	CHIP R 560 J 1/16W	
R602			RK73GB1J104J	CHIP R 100K J 1/16W		R739			RK73GB1J124J	CHIP R 120K J 1/16W	
R603			RK73GB1J221J	CHIP R 220 J 1/16W		R740			R92-0699-05	CHIP R 10 J 1/2W	
R604			RK73GB1J103J	CHIP R 10K J 1/16W		R741			RK73GB1J104J	CHIP R 100K J 1/16W	
R605			RK73GB1J104J	CHIP R 100K J 1/16W		R742,743			RK73GB1J473J	CHIP R 47K J 1/16W	
R606			RK73GB1J332J	CHIP R 3.3K J 1/16W		R745-747			R92-0670-05	CHIP R 0 OHM	
R607,608			RK73GB1J472J	CHIP R 4.7K J 1/16W		R748			RK73GB1J104J	CHIP R 100K J 1/16W	
R610			RK73GB1J331J	CHIP R 330 J 1/16W		R749			RD14BB2C473J	RD 47K J 1/6W	
R611,612			RK73GB1J472J	CHIP R 4.7K J 1/16W		D5			RLS245	DIODE	
R613,614			RK73GB1J223J	CHIP R 22K J 1/16W		D6			MA729	DIODE	
R616			RK73GB1J223J	CHIP R 22K J 1/16W		D11			DAN202U	DIODE	
R618			RK73GB1J331J	CHIP R 330 J 1/16W		D12			MA2S111	DIODE	
R619			RK73GB1J332J	CHIP R 3.3K J 1/16W		D13			02DZ8.2(Y)	ZENER DIODE	
R620,621			RK73GB1J472J	CHIP R 4.7K J 1/16W		D14-17			MA2S111	DIODE	
R623,624			RK73GB1J472J	CHIP R 4.7K J 1/16W		D501-504			DAN202U	DIODE	
R625-630			RK73GB1J223J	CHIP R 22K J 1/16W		IC1			M62003FP	IC (RESET IC)	
R631			RK73GB1J561J	CHIP R 560 J 1/16W		IC2,3			TA7805F	IC (AVR)	
R632-635			RK73GB1J472J	CHIP R 4.7K J 1/16W		IC4			XC62FP3302P	IC (3.3V AVR FOR DSP)	
R636,637			RK73GB1J223J	CHIP R 22K J 1/16W		IC5			TC74HC4053AFT	IC (ANALOG SWITCH)	
R638			RK73GB1J561J	CHIP R 560 J 1/16W		IC6			TC74HC4052AFT	IC (ANALOG SWITCH)	
R639,640			RK73GB1J223J	CHIP R 22K J 1/16W		IC7			AT25128N10SI27	IC (EEPROM)	
R641			RK73GB1J103J	CHIP R 10K J 1/16W		IC8			64F2633JXUC	IC (MAIN MICROCOMPUTER)	
R642			RK73GB1J223J	CHIP R 22K J 1/16W		IC9			TC74LVX4245FS	IC (CONVERSION BETWEEN 5V AND 3V)	
R643			RK73GB1J221J	CHIP R 220 J 1/16W		IC10,11			TC74LVX4245FS	IC (CONVERSION FROM 5V TO 3V)	
R644,645			RK73GB1J472J	CHIP R 4.7K J 1/16W		IC12			LC73881M	IC (DTMF DECODER IC)	
R646			RK73GB1J103J	CHIP R 10K J 1/16W		IC13			TC74VHC08FT	IC (INPUT/OUTPUT PORT LOGIC)	
R647			RK73GB1J223J	CHIP R 22K J 1/16W		IC14			TC74VHC32FT	IC (INPUT/OUTPUT PORT LOGIC)	
R648			RK73GB1J221J	CHIP R 220 J 1/16W		IC15			TC74VHC04FT	IC (INPUT/OUTPUT PORT LOGIC)	
R649,650			RK73GB1J223J	CHIP R 22K J 1/16W		IC16-18			TC74VHC08FT	IC (INPUT/OUTPUT PORT LOGIC)	
R651			RK73GB1J472J	CHIP R 4.7K J 1/16W		IC19,20			TC74VHC573FT	MOS IC (INPUT PORT)	
R652,653			RK73GB1J223J	CHIP R 22K J 1/16W		IC21-25			TC74VHC573FT	MOS IC (OUTPUT PORT)	
R654-659			RK73GB1J472J	CHIP R 4.7K J 1/16W		IC26			TMT0111Q	IC (TNC MICROCOMPUTER)	
R660,661			RK73GB1J223J	CHIP R 22K J 1/16W		IC27			TA75W393FU	IC (OP AMPLIFIER)	
R662			RK73GB1J472J	CHIP R 4.7K J 1/16W		IC28			TGT0210Q	IC (TNC LOGIC CIRCUIT)	
R663			RK73GB1J223J	CHIP R 22K J 1/16W		IC29			TA75W01FU	IC (OP AMPLIFIER)	
R664			RK73GB1J103J	CHIP R 10K J 1/16W		IC30			TA75S393F	IC (COMPARATOR)	
R665			RK73GB1J472J	CHIP R 4.7K J 1/16W		IC31			TC7SH08FU	IC (AND)	
R666,667			RK73GB1J222J	CHIP R 2.2K J 1/16W		IC32,33			PST9130NR	IC (RESET IC)	
R668			RK73GB1J223J	CHIP R 22K J 1/16W		IC501			TA48M033F	IC (AVR)	
R669,670			RK73GB1J334J	CHIP R 330K J 1/16W		IC502,503			XC62FP1802P	IC (1.8V AVR FOR DSP)	
R671			RK73GB1J223J	CHIP R 22K J 1/16W		IC504			29LV800BAJXSD	IC (FLASH ROM FOR DSP2)	
R672,673			RK73GB1J102J	CHIP R 1.0K J 1/16W		IC504			29LV800BJWGD	IC (FLASH ROM FOR DSP2)	
R674			RK73GB1J472J	CHIP R 4.7K J 1/16W		IC505,506			TC74VHC573FT	IC (FOR DSP PORT OUTPUT)	
R686-688			R92-1252-05	CHIP R 0 OHM J 1/16W		IC507			TC74VHC02FT	IC (INPUT/OUTPUT PORT LOGIC)	
R693-699			R92-1252-05	CHIP R 0 OHM J 1/16W		IC508	*		29LV800BAJXQE	IC (FLASH ROM FOR DSP1)	
R700			RK73GB1J473J	CHIP R 47K J 1/16W		IC508	*		29LV800BJWFE	IC (FLASH ROM FOR DSP1)	
R701			RK73GB1J154J	CHIP R 150K J 1/16W		IC509			TC74VHC32FT	IC (INPUT/OUTPUT PORT LOGIC)	
R702			RK73GB1J103J	CHIP R 10K J 1/16W		IC510			TC7WU04FU	IC (INPUT/OUTPUT PORT LOGIC)	
R703-706			RK73GB1J472J	CHIP R 4.7K J 1/16W		IC511			TC74VHC08FT	IC (INPUT/OUTPUT PORT LOGIC)	
R707			RK73GB1J104J	CHIP R 100K J 1/16W		IC512			TC74VHC573FT	IC (FOR DSP PORT INPUT)	
R709,710			RK73GB1J104J	CHIP R 100K J 1/16W		IC513			TC74VHC32FT	IC (INPUT/OUTPUT PORT LOGIC)	
R712			RK73GB1J104J	CHIP R 100K J 1/16W		IC514			TC74VHC573FT	IC (FOR DSP PORT INPUT)	
R714-716			RK73GB1J470J	CHIP R 47 J 1/16W		IC515,516			320VC5402PGE	IC (DSP)	

K : TS-2000 (K)    KB : TS-B2000 (K)    KX : TS-2000X (K)    E : TS-2000 (E)  
 EB : TS-B2000 (E)    E2 : TS-2000 (E2)    E2B : TS-B2000 (E2)    EX : TS-2000X (E)

# TS-2000/X, TS-B2000

## PARTS LIST

CONTROL UNIT (X53-391X-XX)  
 DISPLAY UNIT (X54-3320-00) : K, KX, E, E2, EX  
 TX-RX 1 UNIT (X57-605X-XX)

Ref. No.	Address	New parts	Parts No.	Description	Destination
IC517			NJM2904V	IC (ANALOG AGC BUFFER)	
IC518			AK4524	IC (CODEC(24BIT))	
IC519			TC7W74FU	IC (FOR CODEC CLOCK DIVISION)	
IC520			TC7WU04FU	IC (FOR CODEC CLOCD DIVISION)	
IC521			TC74VHC4040FT	IC (FOR CODEC CLOCK DIVISION)	
IC522,523			AK4518	IC (DODEC(16BIT))	
IC524-529			NJM2100V	IC (BUFFER FOR ANALOG SIGNAL INPUT/OUTPUT)	
IC530			BU2099FV	IC (SERIAL/PARALLEL)	
IC531-534			BU4066BCFV	IC (ANALOG SWITCH)	
IC535			NJM2100V	IC (BUFFER FOR ANALOG SIGNAL INPUT/OUTPUT)	
Q1			DTC143EUA	DIGITAL TRANSISTOR	
Q2			DTA143EUA	DIGITAL TRANSISTOR	
Q3			DTC143EUA	DIGITAL TRANSISTOR	
Q4			DTA143EUA	DIGITAL TRANSISTOR	
Q5			DTC143EUA	DIGITAL TRANSISTOR	
Q9,10			DTC114EUA	DIGITAL TRANSISTOR	
Q13,14			2SC4617(R)	TRANSISTOR	
Q15			2SA1774(R)	TRANSISTOR	
Q16			2SC4617(R)	TRANSISTOR	
Q17			DTC143TUA	DIGITAL TRANSISTOR	
Q18			DTA143EUA	DIGITAL TRANSISTOR	
Q19			2SA1774(R)	TRANSISTOR	
Q20			DTA143EUA	DIGITAL TRANSISTOR	
Q501			DTC144EUA	DIGITAL TRANSISTOR	

### DISPLAY UNIT (X54-3320-00) : K, KX, E, E2, EX

201	1E		B11-1245-02	ILLUMINATION GUIDE	
202	1E		B11-1246-13	FILTER	
203	2E		B11-1257-03	FILTER	
204	1E		B30-2221-05	LAMP (5.5V/125MA/)	
205	2E		B38-0837-05	LCD	
D1,2			B30-2217-05	LED (Y)	
D3-9			B30-2167-05	LED (GR)	
C1,2			CK73GB1H103K	CHIP C 0.010UF K	
C3-9			CK73FB1E104K	CHIP C 0.10UF K	
C10			CK73GB1H103K	CHIP C 0.010UF K	
C11			CK73FB1E104K	CHIP C 0.10UF K	
C12			C92-0041-05	CHIP-ELE 10UF 10WV	
C13			CK73GB1H103K	CHIP C 0.010UF K	
C15-23			CK73GB1H102K	CHIP C 1000PF K	
C25-32			CK73GB1H102K	CHIP C 1000PF K	
C33			C92-0038-05	CHIP-ELE 22UF 16WV	
C34			C92-0041-05	CHIP-ELE 10UF 10WV	
C35			CK73FB1E223K	CHIP C 0.022UF K	
C36			CK73GB1H103K	CHIP C 0.010UF K	
207	2E		E29-1186-04	INTER CONNECTOR	
208	2E		E29-1187-04	INTER CONNECTOR	
CN1			E40-5736-05	FLAT CABLE CONNECTOR	
211	2E		G11-4043-04	SHEET	
212	2E		J21-8397-03	HARDWARE FIXTURE	
L3,4			L40-1095-48	SMALL FIXED INDUCTOR (1UH)	
R1,2			RK73GB1J154J	CHIP R 150K J	
R3			RK73FB2A105J	CHIP R 1.0M J	
R4			RK73FB2A684J	CHIP R 680K J 1/10W	
R5			RK73FB2A100J	CHIP R 10 J 1/10W	
R6-21			RK73GB1J101J	CHIP R 100 J 1/16W	

Ref. No.	Address	New parts	Parts No.	Description	Destination
R23			RK73GB1J101J	CHIP R 100 J 1/16W	
R27			RK73FB2A681J	CHIP R 680 J 1/10W	
R29			RK73FB2A681J	CHIP R 680 J 1/10W	
R31			RK73FB2A560J	CHIP R 56 J 1/10W	
R32			RK73FB2A221J	CHIP R 220 J 1/10W	
R35			RK73FB2A222J	CHIP R 2.2K J 1/10W	
R36			RK73FB2A102J	CHIP R 1.0K J 1/10W	
R37			RK73FB2A392J	CHIP R 3.9K J 1/10W	
R38			RK73FB2A682J	CHIP R 6.8K J 1/10W	
R39			RK73FB2A152J	CHIP R 1.5K J 1/10W	
R40			RK73FB2A272J	CHIP R 2.7K J 1/10W	
R41-43			R92-1211-05	CHIP R 5.6 J 1/2W	
VR1			R32-0676-05	SEMI FIXED VARIABLE RESISTOR	
S1-12			S70-0475-05	TACT SWITCH	
IC1,2			NJU6433F	IC (LCD DRIVER)	
IC3			SED1526F0A	IC (LCD DRIVER)	
IC4			BU2099FV	IC (SERIAL/PARALLEL)	
Q1			2SA1641(S,T)	TRANSISTOR	
Q2			2SC2712(Y)	TRANSISTOR	
Q3			2SA1162(Y)	TRANSISTOR	

### TX-RX 1 UNIT (X57-605X-XX)

0-11 : K, KX 0-12 : KB 2-71 : E, E2, EX 2-72 : EB, E2B

D86			B30-2001-05	LED (RED)	
D105			B30-2001-05	LED (RED)	
D801			B30-2138-05	LED (SR)	K, KX, E
D801			B30-2138-05	LED (SR)	E2, EX
D802			B30-2139-05	LED (G)	K, KX, E
D802			B30-2139-05	LED (G)	E2, EX
D803			B30-2138-05	LED (SR)	K, KX, E
D803			B30-2138-05	LED (SR)	E2, EX
D804			B30-2139-05	LED (G)	K, KX, E
D804			B30-2139-05	LED (G)	E2, EX
D810-824			B30-2167-05	LED (GR)	K, KX, E
D810-824			B30-2167-05	LED (GR)	E2, EX
D825			B30-2146-05	LED (OR)	K, KX, E
D825			B30-2146-05	LED (OR)	E2, EX
D826-834			B30-2167-05	LED (GR)	K, KX, E
D826-834			B30-2167-05	LED (GR)	E2, EX
D953,954			B30-2217-05	LED (Y)	K, KX, E
D953,954			B30-2217-05	LED (Y)	E2, EX
D955			B30-2167-05	LED (GR)	K, KX, E
D955			B30-2167-05	LED (GR)	E2, EX
D956			B30-2218-05	LED (OR)	K, KX, E
D956			B30-2218-05	LED (OR)	E2, EX
D957			B30-2140-05	LED (Y)	K, KX, E
D957			B30-2140-05	LED (Y)	E2, EX
D958			B30-2168-05	LED (RED)	KB, EB, E2B
C1,2			CK73GB1H103K	CHIP C 0.010UF K	
C3			CC73GCH1H470J	CHIP C 47PF J	
C4			CC73GCH1H070D	CHIP C 7.0PF D	
C5			CC73GCH1H470J	CHIP C 47PF J	
C6			CK73EB1H104K	CHIP C 0.10UF K	
C7,8			CK73GB1H103K	CHIP C 0.010UF K	
C9			CK73GB1H222K	CHIP C 2200PF K	
C10			CK73FB1E104K	CHIP C 0.10UF K	
C11			CK73FB1C105K	CHIP C 1.0UF K	



## PARTS LIST

TX-RX 1 UNIT (X57-605X-XX)

Ref. No.	Address	New parts	Parts No.	Description	Destination	Ref. No.	Address	New parts	Parts No.	Description	Destination
C12			CE04EW1E4R7M	ELECTRO 4.7UF 25WV		C82			CK73GB1H102K	CHIP C 1000PF K	
C13			CK73FB1E104K	CHIP C 0.10UF K		C83			CC73GCH1H390J	CHIP C 39PF J	
C14			CK73GB1H103K	CHIP C 0.010UF K		C84			CK73GB1H102K	CHIP C 1000PF K	
C15			CK73GB1H472K	CHIP C 4700PF K		C85			CC73GCH1H181J	CHIP C 180PF J	
C16			CK73GB1H222K	CHIP C 2200PF K		C86			CK73FB1E104K	CHIP C 0.10UF K	
C17			CK73FB1E104K	CHIP C 0.10UF K		C87			CC73GCH1H220J	CHIP C 22PF J	
C18			CK73GB1H103K	CHIP C 0.010UF K		C88			CK73FB1E104K	CHIP C 0.10UF K	
C19			CK73FB1C105K	CHIP C 1.0UF K		C89			CK73GB1H102K	CHIP C 1000PF K	
C20			CK73FB1E104K	CHIP C 0.10UF K		C90			CC73GCH1H470J	CHIP C 47PF J	
C21			CK73GB1H152K	CHIP C 1500PF K		C91			CK73GB1H102K	CHIP C 1000PF K	
C22			CK73GB1H472K	CHIP C 4700PF K		C93			CK73FB1E104K	CHIP C 0.10UF K	
C23			CK73GB1H152K	CHIP C 1500PF K		C94			CC73GCH1H120J	CHIP C 12PF J	
C24,25			CK73GB1H103K	CHIP C 0.010UF K		C95			CK73FB1E104K	CHIP C 0.10UF K	
C26			CK73GB1H392K	CHIP C 3900PF K		C96			CK73GB1H102K	CHIP C 1000PF K	
C27			CK73FB1E104K	CHIP C 0.10UF K		C97			CC73GCH1H330J	CHIP C 33PF J	
C28-30			CK73GB1H102K	CHIP C 1000PF K		C98			CK73GB1H102K	CHIP C 1000PF K	
C31			CK73GB1H332K	CHIP C 3300PF K		C99			CK73FB1E104K	CHIP C 0.10UF K	
C32			CK73FB1E104K	CHIP C 0.10UF K		C100			CC73GCH1H560J	CHIP C 56PF J	
C33			CK73GB1H222K	CHIP C 2200PF K		C101			CC73GCH1H150J	CHIP C 15PF J	
C34			CK73FB1E104K	CHIP C 0.10UF K		C102			CK73FB1E104K	CHIP C 0.10UF K	
C35			CK73GB1H102K	CHIP C 1000PF K		C103			CC73GCH1H820J	CHIP C 82PF J	
C36			CK73GB1H561K	CHIP C 560PF K		C104			CK73GB1H102K	CHIP C 1000PF K	
C37			CK73GB1H102K	CHIP C 1000PF K		C105			CC73GCH1H390J	CHIP C 39PF J	
C38			CK73GB1H222K	CHIP C 2200PF K		C106			CC73GCH1H330J	CHIP C 33PF J	
C39			CK73FB1E104K	CHIP C 0.10UF K		C107			CK73GB1H103K	CHIP C 0.010UF K	
C40			CK73GB1H102K	CHIP C 1000PF K		C108-111			CK73FB1E104K	CHIP C 0.10UF K	
C41			CK73FB1E104K	CHIP C 0.10UF K		C112			CK73GB1H471K	CHIP C 470PF K	
C42			CK73GB1H102K	CHIP C 1000PF K		C113			CC73GCH1H010B	CHIP C 1.0PF B	
C43			CC73GCH1H271J	CHIP C 270PF J		C114			CK73GB1H103K	CHIP C 0.010UF K	
C44,45			CK73GB1H102K	CHIP C 1000PF K		C115			CK73GB1C104K	CHIP C 0.10UF K	
C46,47			CK73FB1E104K	CHIP C 0.10UF K		C116			CC73GCH1H180J	CHIP C 18PF J	
C48			CK73GB1H102K	CHIP C 1000PF K		C117			CK73GB1H103K	CHIP C 0.010UF K	
C49,50			CC73GCH1H100D	CHIP C 10PF D		C118			CC73GCH1H020B	CHIP C 2.0PF B	
C51			CK73GB1H102K	CHIP C 1000PF K		C119			CK73GB1H103K	CHIP C 0.010UF K	
C52			CK73FB1E104K	CHIP C 0.10UF K		C121			CK73FB1C105K	CHIP C 1.0UF K	
C53			CK73GB1H102K	CHIP C 1000PF K		C123			CK73GB1C104K	CHIP C 0.10UF K	
C54			CK73FB1E104K	CHIP C 0.10UF K		C124			CK73GB1H103K	CHIP C 0.010UF K	
C55			CK73GB1H102K	CHIP C 1000PF K		C125,126			CK73GB1C104K	CHIP C 0.10UF K	
C56			CC73GCH1H121J	CHIP C 120PF J		C127			CK73FB1C105K	CHIP C 1.0UF K	
C57,58			CK73GB1H102K	CHIP C 1000PF K		C129,130			CK73GB1H103K	CHIP C 0.010UF K	
C59			CK73FB1E104K	CHIP C 0.10UF K		C131			CC73GCH1H270J	CHIP C 27PF J	
C60			CK73GB1H102K	CHIP C 1000PF K		C132			CK73GB1H103K	CHIP C 0.010UF K	
C61			CK73FB1E104K	CHIP C 0.10UF K		C133			CK73GB1H471K	CHIP C 470PF K	
C62			CK73GB1H102K	CHIP C 1000PF K		C134			CK73FB1E104K	CHIP C 0.10UF K	
C63			CC73GCH1H820J	CHIP C 82PF J		C135,136			CK73GB1H103K	CHIP C 0.010UF K	
C64,65			CK73GB1H102K	CHIP C 1000PF K		C137			CK73GB1H471K	CHIP C 470PF K	
C66,67			CK73FB1E104K	CHIP C 0.10UF K		C138,139			CK73GB1H103K	CHIP C 0.010UF K	
C68			CK73GB1H102K	CHIP C 1000PF K		C140			CC73GCH1H060D	CHIP C 6.0PF D	
C69,70			CC73GCH1H040C	CHIP C 4.0PF C		C141			CC73GCH1H020B	CHIP C 2.0PF B	
C71			CK73GB1H102K	CHIP C 1000PF K		C143,144			CK73GB1H103K	CHIP C 0.010UF K	
C72			CK73FB1E104K	CHIP C 0.10UF K		C145			CC73GCH1H030C	CHIP C 3.0PF C	
C73			CK73GB1H391K	CHIP C 390PF K		C146,147			CC73GCH1H020B	CHIP C 2.0PF B	
C74			CK73FB1E104K	CHIP C 0.10UF K		C148			CK73GB1H103K	CHIP C 0.010UF K	
C75			CK73GB1H102K	CHIP C 1000PF K		C149			CC73GCH1H101J	CHIP C 100PF J	
C76			CC73GCH1H560J	CHIP C 56PF J		C150			CK73GB1H102K	CHIP C 1000PF K	
C77			CK73GB1H102K	CHIP C 1000PF K		C151			CC73GCH1H010B	CHIP C 1.0PF B	
C78			CK73GB1H471K	CHIP C 470PF K		C152-154			CK73GB1H103K	CHIP C 0.010UF K	
C79			CK73FB1E104K	CHIP C 0.10UF K		C156			CK73GB1H103K	CHIP C 0.010UF K	
C80			CC73GCH1H151J	CHIP C 150PF J		C158-164			CK73GB1H103K	CHIP C 0.010UF K	
C81			CK73FB1E104K	CHIP C 0.10UF K		C165			CC73GCH1H020B	CHIP C 2.0PF B	

K : TS-2000 (K)    KB : TS-B2000 (K)    KX : TS-2000X (K)    E : TS-2000 (E)  
 EB : TS-B2000 (E)    E2 : TS-2000 (E2)    E2B : TS-B2000 (E2)    EX : TS-2000X (E)

## PARTS LIST

### TX-RX 1 UNIT (X57-605X-XX)

Ref. No.	Address	New parts	Parts No.	Description	Destination	Ref. No.	Address	New parts	Parts No.	Description	Destination
C166			CK73GB1H103K	CHIP C 0.010UF K		C281			CK73FB1C105K	CHIP C 1.0UF K	
C167			CC73GCH1H100D	CHIP C 10PF D		C282			CC73GCH1H101J	CHIP C 100PF J	
C168,169			CK73GB1H103K	CHIP C 0.010UF K		C283			CE04EW1C100M	ELECTRO 10UF 16WV	
C172-177			CK73GB1H103K	CHIP C 0.010UF K		C284			CK73GB1H103K	CHIP C 0.010UF K	
C178			CC73GCH1H100D	CHIP C 10PF D		C286			CK73FB1C105K	CHIP C 1.0UF K	
C179			CC73GCH1H060D	CHIP C 6.0PF D		C287,288			CK73GB1C104K	CHIP C 0.10UF K	
C180			CK73GB1H103K	CHIP C 0.010UF K		C289			CK73GB1H103K	CHIP C 0.010UF K	
C181			CC73GCH1H100D	CHIP C 10PF D		C290			CK73GB1C104K	CHIP C 0.10UF K	
C182,183			CK73GB1H103K	CHIP C 0.010UF K		C291			CK73FB1E104K	CHIP C 0.10UF K	
C184			CC73GCH1H120J	CHIP C 12PF J		C292			CC73GCH1H390J	CHIP C 39PF J	
C185,186			CK73GB1H103K	CHIP C 0.010UF K		C293,294			CK73GB1H103K	CHIP C 0.010UF K	
C187			CC73GCH1H120J	CHIP C 12PF J		C295-298			CK73GB1C104K	CHIP C 0.10UF K	
C190			CC73GCH1H080D	CHIP C 8.0PF D		C299-301			CK73GB1H103K	CHIP C 0.010UF K	
C191			CC73GCH1H200J	CHIP C 20PF J		C302			CC73GCH1H150J	CHIP C 15PF J	
C192			CK73GB1H103K	CHIP C 0.010UF K		C303			CK73GB1H471K	CHIP C 470PF K	
C193			CC73GCH1H080D	CHIP C 8.0PF D		C304			CK73GB1H103K	CHIP C 0.010UF K	
C196			CK73GB1H103K	CHIP C 0.010UF K		C305			CK73GB1H471K	CHIP C 470PF K	
C197			CE04EW1C100M	ELECTRO 10UF 16WV		C306,307			CK73GB1H103K	CHIP C 0.010UF K	
C198-201			CK73GB1H103K	CHIP C 0.010UF K		C308			CC73GCH1H010B	CHIP C 1.0PF B	
C202			CC73GCH1H100D	CHIP C 10PF D		C309			CK73GB1H103K	CHIP C 0.010UF K	
C203			CC73GCH1H040C	CHIP C 4.0PF C		C310			CC73GCH1H180J	CHIP C 18PF J	
C204			C92-0628-05	CHIP-TAN 10UF 10WV		C311			CC73GCH1H0R5B	CHIP C 0.5PF B	
C205			CC73GCH1H100D	CHIP C 10PF D		C312			CK73GB1C104K	CHIP C 0.10UF K	
C206-211			CK73GB1H103K	CHIP C 0.010UF K		C313			CC73GCH1H180J	CHIP C 18PF J	
C213,214			CK73GB1H103K	CHIP C 0.010UF K		C314			CC73GCH1H020B	CHIP C 2.0PF B	
C216			C92-0003-05	CHIP-TAN 0.47UF 25WV		C315			CK73GB1H103K	CHIP C 0.010UF K	
C217,218			CK73GB1H103K	CHIP C 0.010UF K		C316			CC73GCH1H270J	CHIP C 27PF J	
C219			C92-0003-05	CHIP-TAN 0.47UF 25WV		C317-320			CK73GB1H103K	CHIP C 0.010UF K	
C221,222			CK73GB1H103K	CHIP C 0.010UF K		C321			CC73GCH1H150J	CHIP C 15PF J	
C223			CK73GB1H102K	CHIP C 1000PF K		C322,323			CK73GB1H103K	CHIP C 0.010UF K	
C224			CC73GCH1H100D	CHIP C 10PF D		C324			CK73GB1H332K	CHIP C 3300PF K	
C225			CK73GB1H103K	CHIP C 0.010UF K		C327-337			CK73GB1H103K	CHIP C 0.010UF K	
C227,228			CK73GB1H103K	CHIP C 0.010UF K		C338			CK73FB1C105K	CHIP C 1.0UF K	
C229			C92-0004-05	CHIP-TAN 1.0UF 16WV		C339-342			CK73GB1H103K	CHIP C 0.010UF K	
C230			CE04EW1C101M	ELECTRO 100UF 16WV		C343			CK73GB1C104K	CHIP C 0.10UF K	
C233			CC73GCH1H270J	CHIP C 27PF J		C344-346			CK73GB1H103K	CHIP C 0.010UF K	
C234,235			CK73GB1H103K	CHIP C 0.010UF K		C347			CK73FB1C474K	CHIP C 0.47UF K	
C236			CK73GB1H102K	CHIP C 1000PF K		C348			CK73GB1H471K	CHIP C 470PF K	
C237,238			CK73GB1C104K	CHIP C 0.10UF K		C349			CK73GB1C273K	CHIP C 0.027UF K	
C239			CC73GCH1H221J	CHIP C 220PF J		C350			CK73GB1H103K	CHIP C 0.010UF K	
C241			CK73GB1C104K	CHIP C 0.10UF K		C351			CK73FB1E104K	CHIP C 0.10UF K	
C242			CK73GB1H472K	CHIP C 4700PF K		C352			CK73GB1C473K	CHIP C 0.047UF K	
C243			CK73GB1C104K	CHIP C 0.10UF K		C353-358			CK73GB1H103K	CHIP C 0.010UF K	
C244			CK73FB1C105K	CHIP C 1.0UF K		C359			CC73GCH1H010B	CHIP C 1.0PF B	
C245			CK73GB1C104K	CHIP C 0.10UF K		C361-363			CK73GB1H103K	CHIP C 0.010UF K	
C246-250			CK73FB1C105K	CHIP C 1.0UF K		C364			CE04EW1C100M	ELECTRO 10UF 16WV	
C251			CK73GB1C104K	CHIP C 0.10UF K		C365-369			CK73GB1H103K	CHIP C 0.010UF K	
C252			CK73GB1C473K	CHIP C 0.047UF K		C370			CC73GCH1H100D	CHIP C 10PF D	
C254			CK73GB1E223K	CHIP C 0.022UF K		C373			C92-0606-05	CHIP-TAN 4.7UF 10WV	
C258			CE04EW1C100M	ELECTRO 10UF 16WV		C374			CK73FB1C105K	CHIP C 1.0UF K	
C259-262			CK73GB1C104K	CHIP C 0.10UF K		C375-378			CK73GB1H103K	CHIP C 0.010UF K	
C263			CK73GB1H103K	CHIP C 0.010UF K		C379			CC73GCH1H030C	CHIP C 3.0PF C	
C264-269			CK73GB1C104K	CHIP C 0.10UF K		C380			CK73GB1H103K	CHIP C 0.010UF K	
C270			CC73GCH1H101J	CHIP C 100PF J		C381,382			CC73GCH1H221J	CHIP C 220PF J	
C271			CK73GB1C104K	CHIP C 0.10UF K		C383			CC73GUJ1H070D	CHIP C 7.0PF D	
C272			CC73GCH1H331J	CHIP C 330PF J		C384			CC73GUJ1H030C	CHIP C 3.0PF C	
C273,274			CK73GB1C104K	CHIP C 0.10UF K		C385			CK73FB1C105K	CHIP C 1.0UF K	
C275			CC73GCH1H271J	CHIP C 270PF J		C386			CK73GB1H103K	CHIP C 0.010UF K	
C276-278			CK73GB1C104K	CHIP C 0.10UF K		C388			C92-0628-05	CHIP-TAN 10UF 10WV	
C279			CK73GB1H103K	CHIP C 0.010UF K		C389			CK73GB1E223K	CHIP C 0.022UF K	

## PARTS LIST

TX-RX 1 UNIT (X57-605X-XX)

Ref. No.	Address	New parts	Parts No.	Description	Destination	Ref. No.	Address	New parts	Parts No.	Description	Destination
C390,391			CK73FB1C105K	CHIP C 1.0UF K		C488			CE04EW1C100M	ELECTRO 10UF 16WV	
C393			CK73FB1C105K	CHIP C 1.0UF K		C489			CK73GB1H103K	CHIP C 0.010UF K	
C394			C92-0606-05	CHIP-TAN 4.7UF 10WV		C490,491			CC73GCH1H101J	CHIP C 100PF J	
C395			CK73GB1H103K	CHIP C 0.010UF K		C492			C92-0004-05	CHIP-TAN 1.0UF 16WV	
C396			CE04EW1C101M	ELECTRO 100UF 16WV		C493-499			CK73GB1H103K	CHIP C 0.010UF K	
C397,398			CE04EW1C470M	ELECTRO 47UF 16WV		C500			CK73GB1C104K	CHIP C 0.10UF K	
C399			CE04EW1C471M	ELECTRO 470UF 16WV		C501			CK73GB1H103K	CHIP C 0.010UF K	
C400			CE04EW1C331M	ELECTRO 330UF 16WV		C502			CK73GB1C104K	CHIP C 0.10UF K	
C401			CE04EW1C471M	ELECTRO 470UF 16WV		C505			CK73GB1H102K	CHIP C 1000PF K	
C402			CK73FB1E104K	CHIP C 0.10UF K		C506			CE04EW1C220M	ELECTRO 22UF 16WV	
C403			CE04EW1C470M	ELECTRO 47UF 16WV		C507,508			CK73GB1H102K	CHIP C 1000PF K	
C404			CK73FB1E104K	CHIP C 0.10UF K		C509			CE04EW1C220M	ELECTRO 22UF 16WV	
C405			CE04EW1C470M	ELECTRO 47UF 16WV		C510,511			CK73GB1H102K	CHIP C 1000PF K	
C406			CK73GB1H103K	CHIP C 0.010UF K		C512			CE04EW1C220M	ELECTRO 22UF 16WV	
C407,408			CE04EW1C100M	ELECTRO 10UF 16WV		C513,514			CK73GB1H102K	CHIP C 1000PF K	
C409			CK73FB1C105K	CHIP C 1.0UF K		C515			CE04EW1C220M	ELECTRO 22UF 16WV	
C410-413			CK73FB1E104K	CHIP C 0.10UF K		C516			CK73GB1H102K	CHIP C 1000PF K	
C417			CK73GB1H102K	CHIP C 1000PF K		C517-520			CK73FB1E104K	CHIP C 0.10UF K	
C418			CK73GB1H471K	CHIP C 470PF K		C521			CK73GB1H102K	CHIP C 1000PF K	
C419			CK73GB1H102K	CHIP C 1000PF K		C522			CE04EW1C101M	ELECTRO 100UF 16WV	
C420			C92-0004-05	CHIP-TAN 1.0UF 16WV		C523-525			C92-0606-05	CHIP-TAN 4.7UF 10WV	
C421			CK73GB1H102K	CHIP C 1000PF K		C526-528			CK73FB1C105K	CHIP C 1.0UF K	
C422,423			CK73GB1H471K	CHIP C 470PF K		C529-531			C92-0606-05	CHIP-TAN 4.7UF 10WV	
C424			CK73GB1H102K	CHIP C 1000PF K		C532-537			CK73GB1H102K	CHIP C 1000PF K	
C425			CK73FB1E104K	CHIP C 0.10UF K		C538,539			CK73GB1H103K	CHIP C 0.010UF K	
C426			CK73GB1H222K	CHIP C 2200PF K		C547			CK73GB1H103K	CHIP C 0.010UF K	
C427			CK73GB1H332K	CHIP C 3300PF K		C553			CE04EW1C221M	ELECTRO 220UF 16WV	
C428			CE04EW1C470M	ELECTRO 47UF 16WV		C556			CK73FB1C105K	CHIP C 1.0UF K	
C429			CK73GB1H103K	CHIP C 0.010UF K		C601			CK73GB1C473K	CHIP C 0.047UF K	
C430,431			CE04EW1C470M	ELECTRO 47UF 16WV		C602			CE04EW1C100M	ELECTRO 10UF 16WV	
C432,433			CK73GB1H103K	CHIP C 0.010UF K		C603			CK73GB1C473K	CHIP C 0.047UF K	
C434-436			CK73GB1H102K	CHIP C 1000PF K		C604			CK73GB1H472K	CHIP C 4700PF K	
C437			CK73GB1H103K	CHIP C 0.010UF K		C605-607			CK73GB1H103K	CHIP C 0.010UF K	
C438			CK45FE2H222P	CERAMIC 2200PF P		C608			CE04EW1C100M	ELECTRO 10UF 16WV	
C439,440			CK73GB1H103K	CHIP C 0.010UF K		C609			CK73GB1H472K	CHIP C 4700PF K	
C441-444			CK73GB1H102K	CHIP C 1000PF K		C610-613			CK73GB1C473K	CHIP C 0.047UF K	
C449-452			CK73FB1C105K	CHIP C 1.0UF K		C614			CK73GB1H102K	CHIP C 1000PF K	
C453			CK73GB1H103K	CHIP C 0.010UF K		C615			CK73GB1H182K	CHIP C 1800PF K	
C454			CK73FB1C105K	CHIP C 1.0UF K		C616			CK73GB1H102K	CHIP C 1000PF K	
C455			CK73GB1H102K	CHIP C 1000PF K		C617			CE04EW1C100M	ELECTRO 10UF 16WV	
C456			CE04EW1C101M	ELECTRO 100UF 16WV		C618,619			CK73GB1C473K	CHIP C 0.047UF K	
C457			CK73GB1H102K	CHIP C 1000PF K		C620			CK73GB1H472K	CHIP C 4700PF K	
C458			CK73FB1C105K	CHIP C 1.0UF K		C621-623			CK73GB1H103K	CHIP C 0.010UF K	
C459			CK73GB1H103K	CHIP C 0.010UF K		C624			CE04EW1C100M	ELECTRO 10UF 16WV	
C460,461			CK73GB1H102K	CHIP C 1000PF K		C625,626			CK73GB1C473K	CHIP C 0.047UF K	
C462			CK73GB1H103K	CHIP C 0.010UF K		C627			CK73GB1H472K	CHIP C 4700PF K	
C463-466			CK73GB1H102K	CHIP C 1000PF K		C628,629			CK73GB1C473K	CHIP C 0.047UF K	
C467-470			CK73GB1H103K	CHIP C 0.010UF K		C630			CC73GCH1H680J	CHIP C 68PF J	
C471			CK73GB1E223K	CHIP C 0.022UF K		C631			CC73GCH1H180J	CHIP C 18PF J	
C472			C92-0003-05	CHIP-TAN 0.47UF 25WV		C632			CC73GCH1H820J	CHIP C 82PF J	
C473			CK73GB1C473K	CHIP C 0.047UF K		C633			CC73GCH1H080D	CHIP C 8.0PF D	
C474			CK73GB1H102K	CHIP C 1000PF K		C634			CC73GCH1H390J	CHIP C 39PF J	
C475			CK73GB1H103K	CHIP C 0.010UF K		C635			CE04EW1C100M	ELECTRO 10UF 16WV	
C476			CE04EW1C100M	ELECTRO 10UF 16WV		C636,637			CK73GB1C473K	CHIP C 0.047UF K	
C477			CE04EW1E4R7M	ELECTRO 4.7UF 25WV		C638			CK73GB1H472K	CHIP C 4700PF K	
C478			CK73GB1H103K	CHIP C 0.010UF K		C639-641			CK73GB1H103K	CHIP C 0.010UF K	
C479			CC73GCH1H101J	CHIP C 100PF J		C642			CE04EW1C100M	ELECTRO 10UF 16WV	
C480			CE04EW1E4R7M	ELECTRO 4.7UF 25WV		C643			CK73GB1H472K	CHIP C 4700PF K	
C481-484			CK73GB1H102K	CHIP C 1000PF K		C644-647			CK73GB1C473K	CHIP C 0.047UF K	
C485-487			CC73GCH1H101J	CHIP C 100PF J		C648			CC73GCH1H390J	CHIP C 39PF J	

K : TS-2000 (K)    KB : TS-B2000 (K)    KX : TS-2000X (K)    E : TS-2000 (E)  
 EB : TS-B2000 (E)    E2 : TS-2000 (E2)    E2B : TS-B2000 (E2)    EX : TS-2000X (E)

## PARTS LIST

### TX-RX 1 UNIT (X57-605X-XX)

Ref. No.	Address	New parts	Parts No.	Description	Destination	Ref. No.	Address	New parts	Parts No.	Description	Destination
C649			CC73GCH1H180J	CHIP C 18PF J		C801,802			CK73GB1C104K	CHIP C 0.10UF K	E2,EX
C650			CC73GCH1H820J	CHIP C 82PF J		C803			C92-0038-05	CHIP-ELE 22UF 16WV	K,KX,E
C651			CC73GCH1H090B	CHIP C 9.0PF B		C803			C92-0038-05	CHIP-ELE 22UF 16WV	E2,EX
C652			CC73GCH1H390J	CHIP C 39PF J		C804			CK73GB1C104K	CHIP C 0.10UF K	K,KX,E
C700			CE04EW1C220M	ELECTRO 22UF 16WV		C804			CK73GB1C104K	CHIP C 0.10UF K	E2,EX
C703			CK73GB1H103K	CHIP C 0.010UF K		C806			CK73GB1H102K	CHIP C 1000PF K	K,KX,E
C704			CK73GB1C104K	CHIP C 0.10UF K		C806			CK73GB1H102K	CHIP C 1000PF K	E2,EX
C705			CC73GCH1H221J	CHIP C 220PF J		C810,811			CK73GB1C104K	CHIP C 0.10UF K	K,KX,E
C706-708			CC73GUJ1H040C	CHIP C 4.0PF C		C810,811			CK73GB1C104K	CHIP C 0.10UF K	E2,EX
C709,710			CK73GB1H103K	CHIP C 0.010UF K		C812-816			CK73GB1H102K	CHIP C 1000PF K	K,KX,E
C711			CK73GB1H102K	CHIP C 1000PF K		C812-816			CK73GB1H102K	CHIP C 1000PF K	E2,EX
C712-716			CK73GB1H103K	CHIP C 0.010UF K		C818-820			CK73GB1C104K	CHIP C 0.10UF K	K,KX,E
C718			CC73GUJ1H040C	CHIP C 4.0PF C		C818-820			CK73GB1C104K	CHIP C 0.10UF K	E2,EX
C719			CK73GB1H103K	CHIP C 0.010UF K		C821,822			CC73GCH1H100D	CHIP C 10PF D	K,KX,E
C720			CC73GCH1H390J	CHIP C 39PF J		C821,822			CC73GCH1H100D	CHIP C 10PF D	E2,EX
C721,722			CK73GB1C104K	CHIP C 0.10UF K		C823			CK73GB1C104K	CHIP C 0.10UF K	K,KX,E
C723			C92-0606-05	CHIP-TAN 4.7UF 10WV		C823			CK73GB1C104K	CHIP C 0.10UF K	E2,EX
C724,725			CK73GB1H103K	CHIP C 0.010UF K		C824			CK73GB1H103K	CHIP C 0.010UF K	K,KX,E
C726			CK73FB1C105K	CHIP C 1.0UF K		C824			CK73GB1H103K	CHIP C 0.010UF K	E2,EX
C727,728			CC73GCH1H101J	CHIP C 100PF J		C826-842			CK73GB1H102K	CHIP C 1000PF K	K,KX,E
C739			CK73GB1H103K	CHIP C 0.010UF K		C826-842			CK73GB1H102K	CHIP C 1000PF K	E2,EX
C741			CK73FB1C105K	CHIP C 1.0UF K		C844			CK73GB1H102K	CHIP C 1000PF K	K,KX,E
C743			CK73GB1C104K	CHIP C 0.10UF K		C844			CK73GB1H102K	CHIP C 1000PF K	E2,EX
C744			CK73GB1H103K	CHIP C 0.010UF K		C847-850			CK73GB1H102K	CHIP C 1000PF K	K,KX,E
C745,746			CK73GB1C104K	CHIP C 0.10UF K		C847-850			CK73GB1H102K	CHIP C 1000PF K	E2,EX
C747			CK73FB1C105K	CHIP C 1.0UF K		C851			CK73GB1H103K	CHIP C 0.010UF K	K,KX,E
C749			CK73GB1H103K	CHIP C 0.010UF K		C851			CK73GB1H103K	CHIP C 0.010UF K	E2,EX
C750			CK73FB1E104K	CHIP C 0.10UF K		C852-855			CK73GB1H102K	CHIP C 1000PF K	K,KX,E
C752			CC73GCH1H560J	CHIP C 56PF J		C852-855			CK73GB1H102K	CHIP C 1000PF K	E2,EX
C753			CC73GCH1H100D	CHIP C 10PF D		C858-860			CK73GB1H102K	CHIP C 1000PF K	K,KX,E
C754			CC73GCH1H221J	CHIP C 220PF J		C858-860			CK73GB1H102K	CHIP C 1000PF K	E2,EX
C755			CC73GCH1H271J	CHIP C 270PF J		C861			CK73GB1H103K	CHIP C 0.010UF K	K,KX,E
C757			CK73GB1H102K	CHIP C 1000PF K		C861			CK73GB1H103K	CHIP C 0.010UF K	E2,EX
C758			CK73GB1E223K	CHIP C 0.022UF K		C862-866			CK73GB1H102K	CHIP C 1000PF K	K,KX,E
C759,760			CK73FB1C105K	CHIP C 1.0UF K		C862-866			CK73GB1H102K	CHIP C 1000PF K	E2,EX
C761,762			CK73GB1H103K	CHIP C 0.010UF K		C867,868			CK73GB1C104K	CHIP C 0.10UF K	K,KX,E
C763			CC73GCH1H030C	CHIP C 3.0PF C		C867,868			CK73GB1C104K	CHIP C 0.10UF K	E2,EX
C765,766			CK73GB1H103K	CHIP C 0.010UF K		C869			CK73FB1C105K	CHIP C 1.0UF K	K,KX,E
C767			CC73GCH1H010B	CHIP C 1.0PF B		C869			CK73FB1C105K	CHIP C 1.0UF K	E2,EX
C770,771			CK73GB1H102K	CHIP C 1000PF K		C870,871			CK73GB1C473K	CHIP C 0.047UF K	K,KX,E
C772			CC73GCH1H470J	CHIP C 47PF J		C870,871			CK73GB1C473K	CHIP C 0.047UF K	E2,EX
C773-776			CK73GB1H102K	CHIP C 1000PF K		C950,951			CK73GB1H103K	CHIP C 0.010UF K	K,KX,E
C777			CC73GCH1H221J	CHIP C 220PF J		C952-955			CK73EF1C105Z	CHIP C 1.0UF Z	K,KX,E
C778			CE04EW1C100M	ELECTRO 10UF 16WV		C952-955			CK73EF1C105Z	CHIP C 1.0UF Z	E2,EX
C779			CK73GB1C104K	CHIP C 0.10UF K		C956-959			CK73GB1H103K	CHIP C 0.010UF K	
C780			CK73GB1H103K	CHIP C 0.010UF K		C962-965			CK73EF1C105Z	CHIP C 1.0UF Z	KB,EB,E2B
C781			CC73GCH1H101J	CHIP C 100PF J		C966			CK73GB1C104K	CHIP C 0.10UF K	KB,EB,E2B
C782			C92-0004-05	CHIP-TAN 1.0UF 16WV		C967-969			CK73FB1C105K	CHIP C 1.0UF K	KB,EB,E2B
C783			CK73GB1C104K	CHIP C 0.10UF K		C970			CE04EW1A101M	ELECTRO 100UF 10WV	
C784,785			CK73GB1H152K	CHIP C 1500PF K		C971			CK73GB1A474K	CHIP C 0.47UF K	E,EB,E2
C786			CK73FB1C334K	CHIP C 0.33UF K		C971			CK73GB1A474K	CHIP C 0.47UF K	E2B,EX
C787			CK73FB1E104K	CHIP C 0.10UF K		C972			CK73FB1C105K	CHIP C 1.0UF K	KB,EB,E2B
C788,789			CK73FB1C105K	CHIP C 1.0UF K		TC1,2			C05-0344-05	CERAMIC TRIMMER CAP (30PF)	E,EB,E2
C790,791			CK73GB1H103K	CHIP C 0.010UF K		TC1,2			C05-0344-05	CERAMIC TRIMMER CAP (30PF)	E2B,EX
C792			CK73EB1H104K	CHIP C 0.10UF K		TC3			C05-0369-05	CERAMIC TRIMMER CAP	
C793,794			CK73GB1H471K	CHIP C 470PF K		-			E18-0254-05	SOCKET	
C795			CK73FB1C105K	CHIP C 1.0UF K		-			E23-1176-04	EARTH LUG	
C800			CK73GB1E223K	CHIP C 0.022UF K	K,KX,E	-			E37-0895-05	LEAD WIRE WITH TERMINAL	KB,EB,E2B
C800			CK73GB1E223K	CHIP C 0.022UF K	E2,EX	CN1			E04-0154-05	PIN SOCKET	
C801,802			CK73GB1C104K	CHIP C 0.10UF K	K,KX,E	CN2-4			E40-5487-05	PIN ASSY	

## PARTS LIST

TX-RX 1 UNIT (X57-605X-XX)

Ref. No.	Address	New parts	Parts No.	Description	Desti-nation	Ref. No.	Address	New parts	Parts No.	Description	Desti-nation
CN5			E04-0154-05	PIN SOCKET		F1			F53-0115-05	FUSE (1A/50V)	
CN6			E40-0211-05	PIN ASSY		CN30			J19-1570-05	HOLDER	
CN7			E04-0154-05	PIN SOCKET		CF1			L72-0984-05	CERAMIC FILTER (455KHZ)	
CN9			E40-0211-05	PIN ASSY		CF2			L72-0985-05	CERAMIC FILTER (455KHZ)	
CN10			E40-3237-05	PIN ASSY		CF3			L72-0333-05	CERAMIC FILTER (455KHZ)	
CN11			E40-3239-05	PIN ASSY		CF4			L72-0984-05	CERAMIC FILTER (455KHZ)	
CN12			E04-0154-05	PIN SOCKET		L1			L40-1885-48	SMALL FIXED INDUCTOR (180NH)	
CN14			E04-0154-05	PIN SOCKET		L2			L33-0695-05	SMALL FIXED INDUCTOR	
CN16			E40-3239-05	PIN ASSY		L3,4			L40-6891-14	SMALL FIXED INDUCTOR	
CN17,18			E40-3237-05	PIN ASSY		L5,6			L33-0695-05	SMALL FIXED INDUCTOR	
CN20			E40-5618-05	FLAT CABLE CONNECTOR		L7			L40-6891-15	SMALL FIXED INDUCTOR	E,EB,E2
CN21			E40-5747-05	PIN ASSY SOCKET		L7			L40-6891-15	SMALL FIXED INDUCTOR	E2B,EX
CN22,23			E04-0154-05	PIN SOCKET		L8			L33-0695-05	SMALL FIXED INDUCTOR	
CN24,25			E40-6009-05	FLAT CABLE CONNECTOR		L9			L40-6891-15	SMALL FIXED INDUCTOR	E,EB,E2
CN26,27			E40-5978-05	FLAT CABLE CONNECTOR		L9			L40-6891-15	SMALL FIXED INDUCTOR	E2B,EX
CN29			E40-5978-05	FLAT CABLE CONNECTOR		L10			L40-6895-34	SMALL FIXED INDUCTOR (6.8UH)	
CN31			E40-3238-05	PIN ASSY		L11			L33-0695-05	SMALL FIXED INDUCTOR	
CN32			E40-3239-05	PIN ASSY		L12,13			L40-2215-85	SMALL FIXED INDUCTOR (220U)	
CN49			E04-0154-05	PIN SOCKET		L14			L40-1892-14	SMALL FIXED INDUCTOR	
CN800			E40-5978-05	FLAT CABLE CONNECTOR	K,KX,E	L15			L40-6891-14	SMALL FIXED INDUCTOR	
CN800			E40-5978-05	FLAT CABLE CONNECTOR	E2,EX	L16			L40-1892-14	SMALL FIXED INDUCTOR	
CN801			E40-5736-05	FLAT CABLE CONNECTOR	K,KX,E	L17			L40-1292-14	SMALL FIXED INDUCTOR	
CN801			E40-5736-05	FLAT CABLE CONNECTOR	E2,EX	L18			L40-5691-14	SMALL FIXED INDUCTOR	
CN804			E40-3239-05	PIN ASSY	K,KX,E	L19			L40-1292-14	SMALL FIXED INDUCTOR	
CN804			E40-3239-05	PIN ASSY	E2,EX	L20			L40-1092-14	SMALL FIXED INDUCTOR	
CN805			E40-5978-05	FLAT CABLE CONNECTOR	K,KX,E	L21			L40-3391-14	SMALL FIXED INDUCTOR	
CN805			E40-5978-05	FLAT CABLE CONNECTOR	E2,EX	L22			L40-1092-14	SMALL FIXED INDUCTOR	
CN806			E40-5741-05	FLAT CABLE CONNECTOR	K,KX,E	L23-25			L34-4262-05	COIL	
CN806			E40-5741-05	FLAT CABLE CONNECTOR	E2,EX	L26			L40-3382-14	SMALL FIXED INDUCTOR	
CN950			E40-3250-05	PIN ASSY	K,KX,E	L27			L40-2792-14	SMALL FIXED INDUCTOR	
CN950			E40-3250-05	PIN ASSY	E2,EX	L28			L40-3382-14	SMALL FIXED INDUCTOR	
CN951			E40-3251-05	PIN ASSY		L29			L40-2282-14	SMALL FIXED INDUCTOR	
CN952			E40-6074-05	FLAT CABLE CONNECTOR	K,KX,E	L30			L40-2292-14	SMALL FIXED INDUCTOR	
CN952			E40-6074-05	FLAT CABLE CONNECTOR	E2,EX	L31			L40-2282-14	SMALL FIXED INDUCTOR	
CN953			E40-6077-05	FLAT CABLE CONNECTOR	K,KX,E	L32-34			L34-4289-05	COIL	
CN953			E40-6077-05	FLAT CABLE CONNECTOR	E2,EX	L35			L40-2282-14	SMALL FIXED INDUCTOR	
CN956			E40-6079-05	PIN ASSY	K,KX,E	L36			L40-1592-14	SMALL FIXED INDUCTOR	
CN956			E40-6079-05	PIN ASSY	E2,EX	L37,38			L40-2282-14	SMALL FIXED INDUCTOR	
CN957			E40-6080-05	PIN ASSY	K,KX,E	L39			L40-1292-14	SMALL FIXED INDUCTOR	
CN957			E40-6080-05	PIN ASSY	E2,EX	L40-43			L40-2282-14	SMALL FIXED INDUCTOR	
CN958			E40-3250-05	PIN ASSY	KB,EB,E2B	L44			L34-4333-05	COIL	
CN959,960			E40-3246-05	PIN ASSY	KB,EB,E2B	L45,46			L34-2026-05	COIL	
CN961			E40-3250-05	PIN ASSY	KB,EB,E2B	L47			L33-0695-05	SMALL FIXED INDUCTOR	
CN962			E40-3248-05	PIN ASSY	K,KX,E	L48			L40-1588-76	SMALL FIXED INDUCTOR (0.15UH)	
CN962			E40-3248-05	PIN ASSY	E2,EX	L49			L40-1088-76	SMALL FIXED INDUCTOR (0.1UH)	
J1			E13-0166-05	PHONE JACK		L50			L40-4705-85	SMALL FIXED INDUCTOR (47U)	
J2,3			E11-0414-05	3.5D PHONE JACK (3P)		L51			L19-0324-05	TOROIDAL COIL	
J4			E06-0752-05	DIN SOCKET		L52			L39-1255-05	TOROIDAL COIL	
J5			E58-0435-05	SUB SOCKET (D)		L53			L40-1015-85	SMALL FIXED INDUCTOR (100U)	
J6			E58-0410-05	MODULAR JACK		L54			L34-4413-05	COIL	
J7			E06-0859-05	DIN SOCKET		L55			L33-0695-05	SMALL FIXED INDUCTOR	
J8			E56-0408-05	DIN SOCKET		L56			L40-2295-85	SMALL FIXED INDUCTOR (2.2U)	
J950			E06-0858-15	MIC CONNECTOR (8P)		L57			L33-1394-05	SMALL FIXED INDUCTOR	
J951			E11-0438-05	PHONE JACK (9P)	K,KX,E	L58			L40-1085-34	SMALL FIXED INDUCTOR (100NH)	
J951			E11-0438-05	PHONE JACK (9P)	E2,EX	L59			L33-0695-05	SMALL FIXED INDUCTOR	
J952			E11-0438-05	PHONE JACK (9P)	KB,EB,E2B	L60			L39-1255-05	TOROIDAL COIL	
W1			E37-0884-05	LEAD WIRE WITH CONNECTOR		L61			L40-1015-85	SMALL FIXED INDUCTOR (100U)	
W2			E37-0954-05	LEAD WIRE WITH CONNECTOR		L62			L34-4394-05	COIL	
-			F10-2003-14	SHIELDING CASE							

K : TS-2000 (K)    KB : TS-B2000 (K)    KX : TS-2000X (K)    E : TS-2000 (E)  
 EB : TS-B2000 (E)    E2 : TS-2000 (E2)    E2B : TS-B2000 (E2)    EX : TS-2000X (E)

## PARTS LIST

### TX-RX 1 UNIT (X57-605X-XX)

Ref. No.	Address	New parts	Parts No.	Description	Destination	Ref. No.	Address	New parts	Parts No.	Description	Destination
L63			L34-4393-05	COIL		L704			L40-1085-34	SMALL FIXED INDUCTOR (100NH)	
L64,65			L34-4394-05	COIL		L705			L33-0695-05	SMALL FIXED INDUCTOR	
L66			L34-4393-05	COIL		L706			L33-1394-05	SMALL FIXED INDUCTOR	
L67			L34-4394-05	COIL		L707			L40-1081-36	SMALL FIXED INDUCTOR (100NH)	
L68			L34-4415-05	COIL		L709			L40-3395-34	SMALL FIXED INDUCTOR (3.3UH)	
L69			L34-4207-05	COIL		L710-713			L40-3391-37	SMALL FIXED INDUCTOR (3.300UH)	
L70			L40-1015-85	SMALL FIXED INDUCTOR (100U)		L714,715			L40-1005-85	SMALL FIXED INDUCTOR (10U)	
L71			L34-4414-05	COIL		L716			L40-4705-34	SMALL FIXED INDUCTOR (47UH)	
L72			L40-1085-34	SMALL FIXED INDUCTOR (100NH)		L717			L92-0131-05	FERRITE CHIP	
L73			L40-2285-34	SMALL FIXED INDUCTOR (220NH)		L718			L40-1015-85	SMALL FIXED INDUCTOR (100U)	
L74-77			L40-1015-85	SMALL FIXED INDUCTOR (100U)		L800,801			L40-1095-48	SMALL FIXED INDUCTOR (1UH)	K,KX,E
L78			L33-0695-05	SMALL FIXED INDUCTOR		L800,801			L40-1095-48	SMALL FIXED INDUCTOR (1UH)	E2,EX
L80			L40-4705-85	SMALL FIXED INDUCTOR (47U)		X1			L77-1827-05	CRYSTAL RESONATOR (10.595MHZ)	
L81,82			L34-4401-05	COIL		X800			L77-1680-05	CRYSTAL RESONATOR (11.0592MHZ)	K,KX,E
L83			L34-4459-05	COIL		X800			L77-1680-05	CRYSTAL RESONATOR (11.0592MHZ)	E2,EX
L84-86			L40-2221-33	SMALL FIXED INDUCTOR		XF1			L71-0562-05	MCF (69.085MHZ)	
L87			L34-4663-05	COIL		XF2			L71-0561-05	MCF (75.925MHZ)	
L90			L40-4705-85	SMALL FIXED INDUCTOR (47U)		XF5			L71-0433-15	MCF (10.695MHZ)	
L91			L40-1085-34	SMALL FIXED INDUCTOR (100NH)		XF6			L71-0569-05	CRYSTAL FILTER (10.695MHZ/2.7K)	
L92			L33-1394-05	SMALL FIXED INDUCTOR		XF9			L71-0570-05	CRYSTAL FILTER (10.595MHZ/6K)	
L93			L33-0695-05	SMALL FIXED INDUCTOR		CP1-3			RK75GB1J103J	CHIP-COM 10K J 1/16W	
L94			L40-1015-85	SMALL FIXED INDUCTOR (100U)		CP6-9			RK75GB1J103J	CHIP-COM 10K J 1/16W	
L95			L19-0324-05	TOROIDAL COIL		CP10,11			RK75GB1J101J	CHIP-COM 100 J 1/16W	
L96			L34-4333-05	COIL		CP801-804			RK75GB1J473J	CHIP-COM 47K J 1/16W	K,KX,E
L97			L39-1255-05	TOROIDAL COIL		CP801-804			RK75GB1J473J	CHIP-COM 47K J 1/16W	E2,EX
L98-100			L34-4333-05	COIL		CP805-808			RK75GB1J103J	CHIP-COM 10K J 1/16W	K,KX,E
L101			L40-1015-85	SMALL FIXED INDUCTOR (100U)		CP805-808			RK75GB1J103J	CHIP-COM 10K J 1/16W	E2,EX
L102			L34-4222-05	COIL		CP809,810			RK75GB1J473J	CHIP-COM 47K J 1/16W	K,KX,E
L103			L34-4025-05	COIL		CP809,810			RK75GB1J473J	CHIP-COM 47K J 1/16W	E2,EX
L104			L40-1005-85	SMALL FIXED INDUCTOR (10U)		R1			RK73EB2B560J	CHIP R 56 J 1/8W	
L105			L34-4025-05	COIL		R2			RK73EB2B471J	CHIP R 470 J 1/8W	
L106,107			L40-1015-85	SMALL FIXED INDUCTOR (100U)		R3			RK73EB2B181J	CHIP R 180 J 1/8W	
L108,109			L34-4025-05	COIL		R4			RK73GB1J222J	CHIP R 2.2K J 1/16W	
L110-113			L40-1015-85	SMALL FIXED INDUCTOR (100U)		R5			RK73GB1J101J	CHIP R 100 J 1/16W	
L115,116			L40-1095-85	SMALL FIXED INDUCTOR (1.0U)		R6,7			RK73FB2A101J	CHIP R 100 J 1/10W	
L117			L40-1021-13	SMALL FIXED INDUCTOR		R8			RK73GB1J472J	CHIP R 4.7K J 1/16W	
L118			L33-1425-05	CHOKE COIL		R9			RK73GB1J471J	CHIP R 470 J 1/16W	
L119			L33-0695-05	SMALL FIXED INDUCTOR		R10			RK73GB1J560J	CHIP R 56 J 1/16W	
L121			L40-1095-85	SMALL FIXED INDUCTOR (1.0U)		R11-13			RK73FB2A560J	CHIP R 56 J 1/10W	
L122-125			L40-1015-85	SMALL FIXED INDUCTOR (100U)		R14			RK73GB1J330J	CHIP R 33 J 1/16W	
L126			L40-4705-85	SMALL FIXED INDUCTOR (47U)		R15,16			RK73FB2A560J	CHIP R 56 J 1/10W	
L129-131			L40-1015-85	SMALL FIXED INDUCTOR (100U)		R17			RK73GB1J330J	CHIP R 33 J 1/16W	
L132-135			L40-1095-85	SMALL FIXED INDUCTOR (1.0U)		R18,19			RK73FB2A560J	CHIP R 56 J 1/10W	
L601,602			L40-1005-85	SMALL FIXED INDUCTOR (10U)		R20			RK73GB1J330J	CHIP R 33 J 1/16W	
L603,604			L40-1015-85	SMALL FIXED INDUCTOR (100U)		R21,22			RK73FB2A560J	CHIP R 56 J 1/10W	
L605,606			L40-1005-85	SMALL FIXED INDUCTOR (10U)		R23			RK73GB1J330J	CHIP R 33 J 1/16W	
L607			L40-3395-85	SMALL FIXED INDUCTOR (3.3U)		R24,25			RK73FB2A560J	CHIP R 56 J 1/10W	
L608			L40-3995-85	SMALL FIXED INDUCTOR (3.9U)		R26			RK73GB1J330J	CHIP R 33 J 1/16W	
L609,610			L40-1005-85	SMALL FIXED INDUCTOR (10U)		R27,28			RK73FB2A560J	CHIP R 56 J 1/10W	
L611			L40-2795-85	SMALL FIXED INDUCTOR (2.7U)		R29			RK73GB1J330J	CHIP R 33 J 1/16W	
L612			L40-3395-85	SMALL FIXED INDUCTOR (3.3U)		R30,31			RK73FB2A560J	CHIP R 56 J 1/10W	
L613			L34-4663-05	COIL		R32			RK73GB1J330J	CHIP R 33 J 1/16W	
L614			L34-4649-05	COIL		R33,34			RK73FB2A560J	CHIP R 56 J 1/10W	
L615			L40-1015-85	SMALL FIXED INDUCTOR (100U)		R35			RK73GB1J330J	CHIP R 33 J 1/16W	
L616,617			L40-3301-37	SMALL FIXED INDUCTOR (33.00UH)		R36,37			RK73FB2A560J	CHIP R 56 J 1/10W	
L618			L40-1005-85	SMALL FIXED INDUCTOR (10U)		R38			RK73GB1J330J	CHIP R 33 J 1/16W	
L700			L40-1885-34	SMALL FIXED INDUCTOR (180NH)		R39,40			RK73FB2A560J	CHIP R 56 J 1/10W	
L701			L33-0695-05	SMALL FIXED INDUCTOR		R41			RK73GB1J330J	CHIP R 33 J 1/16W	
L702			L40-2295-85	SMALL FIXED INDUCTOR (2.2U)		R42			RK73FB2A560J	CHIP R 56 J 1/10W	
L703			L33-1394-05	SMALL FIXED INDUCTOR		R43			RK73GB1J330J	CHIP R 33 J 1/16W	

## PARTS LIST

TX-RX 1 UNIT (X57-605X-XX)

Ref. No.	Address	New parts	Parts No.	Description	Destination	Ref. No.	Address	New parts	Parts No.	Description	Destination
R44,45			RK73FB2A560J	CHIP R 56 J 1/10W		R120			RK73GB1J333J	CHIP R 33K J 1/16W	
R46			RK73GB1J151J	CHIP R 150 J 1/16W		R121			RK73GB1J103J	CHIP R 10K J 1/16W	
R47			RK73GB1J562J	CHIP R 5.6K J 1/16W		R122			RK73GB1J151J	CHIP R 150 J 1/16W	
R48			RK73GB1J471J	CHIP R 470 J 1/16W		R123			RK73GB1J471J	CHIP R 470 J 1/16W	
R49			RK73GB1J102J	CHIP R 1.0K J 1/16W		R124			RK73GB1J122J	CHIP R 1.2K J 1/16W	
R50,51			RK73GB1J681J	CHIP R 680 J 1/16W		R126			R92-1252-05	CHIP R 0 OHM J 1/16W	
R52			RK73GB1J120J	CHIP R 12 J 1/16W		R127			RK73GB1J122J	CHIP R 1.2K J 1/16W	
R53,54			RK73GB1J100J	CHIP R 10 J 1/16W		R128			RK73GB1J152J	CHIP R 1.5K J 1/16W	
R55			RK73GB1J271J	CHIP R 270 J 1/16W		R131			RK73GB1J101J	CHIP R 100 J 1/16W	
R56,57			RK73GB1J100J	CHIP R 10 J 1/16W		R132			R92-1252-05	CHIP R 0 OHM J 1/16W	
R58			RK73GB1J682J	CHIP R 6.8K J 1/16W		R133			RK73GB1J101J	CHIP R 100 J 1/16W	
R59			RK73FB2A100J	CHIP R 10 J 1/10W		R135			R92-1252-05	CHIP R 0 OHM J 1/16W	
R60			RK73GB1J471J	CHIP R 470 J 1/16W		R137			RK73GB1J681J	CHIP R 680 J 1/16W	
R61			RK73GB1J151J	CHIP R 150 J 1/16W		R138			RK73GB1J152J	CHIP R 1.5K J 1/16W	
R62			RK73GB1J331J	CHIP R 330 J 1/16W		R139			RK73GB1J101J	CHIP R 100 J 1/16W	
R63			RK73GB1J681J	CHIP R 680 J 1/16W		R141			RK73GB1J681J	CHIP R 680 J 1/16W	
R64			RK73GB1J103J	CHIP R 10K J 1/16W		R142			R92-1252-05	CHIP R 0 OHM J 1/16W	
R65			RK73FB2A100J	CHIP R 10 J 1/10W		R143			RK73GB1J681J	CHIP R 680 J 1/16W	
R66			RK73GB1J333J	CHIP R 33K J 1/16W		R144,145			RK73GB1J152J	CHIP R 1.5K J 1/16W	
R68			RK73GB1J331J	CHIP R 330 J 1/16W		R146			RK73GB1J101J	CHIP R 100 J 1/16W	
R69			RK73GB1J180J	CHIP R 18 J 1/16W		R147			RK73GB1J681J	CHIP R 680 J 1/16W	
R70			RK73GB1J331J	CHIP R 330 J 1/16W		R148			RK73GB1J821J	CHIP R 820 J 1/16W	
R71			RK73GB1J151J	CHIP R 150 J 1/16W		R149			RK73GB1J122J	CHIP R 1.2K J 1/16W	
R72			R92-1252-05	CHIP R 0 OHM J 1/16W		R150			RK73GB1J681J	CHIP R 680 J 1/16W	
R73			RK73GB1J102J	CHIP R 1.0K J 1/16W		R151			RK73GB1J221J	CHIP R 220 J 1/16W	
R74			RK73GB1J100J	CHIP R 10 J 1/16W		R152			RK73GB1J102J	CHIP R 1.0K J 1/16W	
R75			RK73GB1J680J	CHIP R 68 J 1/16W		R153			RK73GB1J223J	CHIP R 22K J 1/16W	
R76			RK73GB1J180J	CHIP R 18 J 1/16W		R154			R92-1252-05	CHIP R 0 OHM J 1/16W	
R77			RK73GB1J182J	CHIP R 1.8K J 1/16W		R155			RK73GB1J223J	CHIP R 22K J 1/16W	
R78			RK73GB1J102J	CHIP R 1.0K J 1/16W		R156			RK73GB1J333J	CHIP R 33K J 1/16W	
R79			RK73GB1J471J	CHIP R 470 J 1/16W		R157			RK73GB1J683J	CHIP R 68K J 1/16W	
R80			RK73GB1J103J	CHIP R 10K J 1/16W		R158,159			RK73GB1J103J	CHIP R 10K J 1/16W	
R81			RK73GB1J560J	CHIP R 56 J 1/16W		R160			RK73GB1J102J	CHIP R 1.0K J 1/16W	
R82			RK73GB1J103J	CHIP R 10K J 1/16W		R161			RK73GB1J152J	CHIP R 1.5K J 1/16W	
R83-86			RK73GB1J471J	CHIP R 470 J 1/16W		R162			RK73GB1J223J	CHIP R 22K J 1/16W	
R87			RK73GB1J222J	CHIP R 2.2K J 1/16W		R163			RK73GB1J221J	CHIP R 220 J 1/16W	
R88,89			RK73GB1J471J	CHIP R 470 J 1/16W		R164			RK73GB1J333J	CHIP R 33K J 1/16W	
R90			RK73GB1J273J	CHIP R 27K J 1/16W		R165			RK73GB1J102J	CHIP R 1.0K J 1/16W	
R91			RK73GB1J471J	CHIP R 470 J 1/16W		R166			RK73GB1J563J	CHIP R 56K J 1/16W	
R92			RK73GB1J823J	CHIP R 82K J 1/16W		R167			RK73GB1J101J	CHIP R 100 J 1/16W	
R93			RK73GB1J100J	CHIP R 10 J 1/16W		R168			RK73GB1J681J	CHIP R 680 J 1/16W	
R94			RK73GB1J101J	CHIP R 100 J 1/16W		R169			RK73GB1J682J	CHIP R 6.8K J 1/16W	
R95			RK73GB1J102J	CHIP R 1.0K J 1/16W		R172			RK73GB1J104J	CHIP R 100K J 1/16W	
R96			R92-1252-05	CHIP R 0 OHM J 1/16W		R173			RK73GB1J223J	CHIP R 22K J 1/16W	
R97			RK73GB1J682J	CHIP R 6.8K J 1/16W		R174			RK73GB1J471J	CHIP R 470 J 1/16W	
R98			R92-1252-05	CHIP R 0 OHM J 1/16W		R175			RK73GB1J223J	CHIP R 22K J 1/16W	
R99,100			RK73GB1J222J	CHIP R 2.2K J 1/16W		R176			RK73GB1J822J	CHIP R 8.2K J 1/16W	
R101			RK73GB1J102J	CHIP R 1.0K J 1/16W		R177			RK73GB1J471J	CHIP R 470 J 1/16W	
R102			RK73FB2A100J	CHIP R 10 J 1/10W		R178			RK73GB1J560J	CHIP R 56 J 1/16W	
R103			RK73GB1J682J	CHIP R 6.8K J 1/16W		R179			RK73GB1J221J	CHIP R 220 J 1/16W	
R104			RK73GB1J221J	CHIP R 220 J 1/16W		R180			RK73GB1J274J	CHIP R 270K J 1/16W	
R105			RK73GB1J821J	CHIP R 820 J 1/16W		R181			RK73GB1J152J	CHIP R 1.5K J 1/16W	
R106,107			RK73GB1J102J	CHIP R 1.0K J 1/16W		R182			RK73GB1J333J	CHIP R 33K J 1/16W	
R108			RK73GB1J101J	CHIP R 100 J 1/16W		R183			RK73GB1J152J	CHIP R 1.5K J 1/16W	
R110			RK73GB1J104J	CHIP R 100K J 1/16W		R184			RK73GB1J101J	CHIP R 100 J 1/16W	
R111			RK73GB1J222J	CHIP R 2.2K J 1/16W		R185			RK73GB1J332J	CHIP R 3.3K J 1/16W	
R113			RK73GB1J471J	CHIP R 470 J 1/16W		R187			RK73GB1J101J	CHIP R 100 J 1/16W	
R114			RK73GB1J222J	CHIP R 2.2K J 1/16W		R188			RK73GB1J152J	CHIP R 1.5K J 1/16W	
R115			RK73GB1J101J	CHIP R 100 J 1/16W		R190			RK73GB1J332J	CHIP R 3.3K J 1/16W	
R119			RK73GB1J104J	CHIP R 100K J 1/16W		R191			RK73GB1J101J	CHIP R 100 J 1/16W	

K : TS-2000 (K)    KB : TS-B2000 (K)    KX : TS-2000X (K)    E : TS-2000 (E)  
 EB : TS-B2000 (E)    E2 : TS-2000 (E2)    E2B : TS-B2000 (E2)    EX : TS-2000X (E)

## PARTS LIST

### TX-RX 1 UNIT (X57-605X-XX)

Ref. No.	Address	New parts	Parts No.	Description	Destination	Ref. No.	Address	New parts	Parts No.	Description	Destination
R192			RK73GB1J332J	CHIP R 3.3K J 1/16W		R269			RK73GB1J102J	CHIP R 1.0K J 1/16W	
R194			RK73GB1J101J	CHIP R 100 J 1/16W		R270			RK73GB1J473J	CHIP R 47K J 1/16W	
R196			RK73GB1J222J	CHIP R 2.2K J 1/16W		R272-274			RK73GB1J104J	CHIP R 100K J 1/16W	
R197			RK73GB1J101J	CHIP R 100 J 1/16W		R275,276			RK73GB1J101J	CHIP R 100 J 1/16W	
R198			RK73GB1J332J	CHIP R 3.3K J 1/16W		R277,278			RK73GB1J331J	CHIP R 330 J 1/16W	
R200			RK73GB1J101J	CHIP R 100 J 1/16W		R279			RK73GB1J472J	CHIP R 4.7K J 1/16W	
R201			RK73GB1J103J	CHIP R 10K J 1/16W		R280,281			RK73GB1J330J	CHIP R 33 J 1/16W	
R202			RK73GB1J332J	CHIP R 3.3K J 1/16W		R282,283			RK73GB1J680J	CHIP R 68 J 1/16W	
R203,204			RK73GB1J154J	CHIP R 150K J 1/16W		R284			RK73GB1J103J	CHIP R 10K J 1/16W	
R205			RK73GB1J563J	CHIP R 56K J 1/16W		R285			RK73GB1J472J	CHIP R 4.7K J 1/16W	
R206			RK73GB1J682J	CHIP R 6.8K J 1/16W		R286		R92-1252-05	CHIP R 0 OHM J 1/16W		
R209			RK73GB1J470J	CHIP R 47 J 1/16W		R287,288			RK73GB1J102J	CHIP R 1.0K J 1/16W	
R210			RK73GB1J102J	CHIP R 1.0K J 1/16W		R289			RK73GB1J471J	CHIP R 470 J 1/16W	
R211,212			RK73GB1J103J	CHIP R 10K J 1/16W		R290			RK73GB1J151J	CHIP R 150 J 1/16W	
R213			RK73GB1J223J	CHIP R 22K J 1/16W		R291			RK73GB1J124J	CHIP R 120K J 1/16W	
R214			RK73GB1J122J	CHIP R 1.2K J 1/16W		R292			RK73GB1J330J	CHIP R 33 J 1/16W	
R215,216			RK73GB1J332J	CHIP R 3.3K J 1/16W		R293			RK73GB1J681J	CHIP R 680 J 1/16W	
R217			RK73GB1J104J	CHIP R 100K J 1/16W		R294			RK73GB1J103J	CHIP R 10K J 1/16W	
R218			RK73GB1J333J	CHIP R 33K J 1/16W		R295			RK73GB1J682J	CHIP R 6.8K J 1/16W	
R219			RK73GB1J471J	CHIP R 470 J 1/16W		R296			RK73GB1J103J	CHIP R 10K J 1/16W	
R220			RK73GB1J223J	CHIP R 22K J 1/16W		R297,298			RK73GB1J122J	CHIP R 1.2K J 1/16W	
R221			RK73GB1J101J	CHIP R 100 J 1/16W		R299			RK73GB1J681J	CHIP R 680 J 1/16W	
R222			RK73GB1J222J	CHIP R 2.2K J 1/16W		R300			RK73GB1J223J	CHIP R 22K J 1/16W	
R223			RK73GB1J221J	CHIP R 220 J 1/16W		R301			RK73GB1J561J	CHIP R 560 J 1/16W	
R224			RK73GB1J682J	CHIP R 6.8K J 1/16W		R302			RK73GB1J682J	CHIP R 6.8K J 1/16W	
R225			RK73GB1J331J	CHIP R 330 J 1/16W		R303			RK73GB1J102J	CHIP R 1.0K J 1/16W	
R226			RK73GB1J152J	CHIP R 1.5K J 1/16W		R304			RK73GB1J223J	CHIP R 22K J 1/16W	
R227			R92-1252-05	CHIP R 0 OHM J 1/16W		R305			RK73GB1J151J	CHIP R 150 J 1/16W	
R228			RK73GB1J331J	CHIP R 330 J 1/16W		R306			RK73GB1J103J	CHIP R 10K J 1/16W	
R229			RK73GB1J101J	CHIP R 100 J 1/16W		R307			RK73GB1J681J	CHIP R 680 J 1/16W	
R230-232			RK73GB1J102J	CHIP R 1.0K J 1/16W		R308			RK73GB1J472J	CHIP R 4.7K J 1/16W	
R233			RK73GB1J154J	CHIP R 150K J 1/16W		R309			RK73GB1J101J	CHIP R 100 J 1/16W	
R234			RK73GB1J101J	CHIP R 100 J 1/16W		R310			RK73GB1J333J	CHIP R 33K J 1/16W	
R235			RK73GB1J124J	CHIP R 120K J 1/16W		R311			RK73GB1J223J	CHIP R 22K J 1/16W	
R236			RK73GB1J472J	CHIP R 4.7K J 1/16W		R313			RK73GB1J681J	CHIP R 680 J 1/16W	
R237			RK73GB1J471J	CHIP R 470 J 1/16W		R315			RK73GB1J222J	CHIP R 2.2K J 1/16W	
R240			RK73GB1J100J	CHIP R 10 J 1/16W		R316			RK73GB1J682J	CHIP R 6.8K J 1/16W	
R241			RK73GB1J223J	CHIP R 22K J 1/16W		R317			RK73GB1J102J	CHIP R 1.0K J 1/16W	
R242,243			RK73GB1J472J	CHIP R 4.7K J 1/16W		R318			RK73GB1J333J	CHIP R 33K J 1/16W	
R244			RK73GB1J331J	CHIP R 330 J 1/16W		R319			RK73GB1J562J	CHIP R 5.6K J 1/16W	
R245			RK73GB1J180J	CHIP R 18 J 1/16W		R320			RK73GB1J473J	CHIP R 47K J 1/16W	
R246			RK73GB1J331J	CHIP R 330 J 1/16W		R321			RK73GB1J223J	CHIP R 22K J 1/16W	
R247			RK73FB2A100J	CHIP R 10 J 1/10W		R322-324			RK73GB1J473J	CHIP R 47K J 1/16W	
R248			RK73GB1J221J	CHIP R 220 J 1/16W		R325			RK73GB1J222J	CHIP R 2.2K J 1/16W	
R249			RK73GB1J681J	CHIP R 680 J 1/16W		R326			RK73GB1J330J	CHIP R 33 J 1/16W	
R250			RK73GB1J103J	CHIP R 10K J 1/16W		R327			RK73GB1J102J	CHIP R 1.0K J 1/16W	
R251			RK73GB1J333J	CHIP R 33K J 1/16W		R328			RK73GB1J122J	CHIP R 1.2K J 1/16W	
R252			RK73GB1J151J	CHIP R 150 J 1/16W		R329			RK73GB1J182J	CHIP R 1.8K J 1/16W	
R253			RK73GB1J101J	CHIP R 100 J 1/16W		R330			RK73GB1J681J	CHIP R 680 J 1/16W	
R254			RK73GB1J151J	CHIP R 150 J 1/16W		R331			RK73GB1J122J	CHIP R 1.2K J 1/16W	
R255			R92-1252-05	CHIP R 0 OHM J 1/16W		R332			RK73GB1J331J	CHIP R 330 J 1/16W	
R256			RK73GB1J681J	CHIP R 680 J 1/16W		R333			RK73GB1J471J	CHIP R 470 J 1/16W	
R257,258			R92-1252-05	CHIP R 0 OHM J 1/16W		R334			RK73GB1J101J	CHIP R 100 J 1/16W	
R259,260			RK73GB1J100J	CHIP R 10 J 1/16W		R335			RK73GB1J681J	CHIP R 680 J 1/16W	
R261,262			RK73GB1J330J	CHIP R 33 J 1/16W		R336			RK73GB1J222J	CHIP R 2.2K J 1/16W	
R263			RK73GB1J473J	CHIP R 47K J 1/16W		R337			RK73GB1J224J	CHIP R 220K J 1/16W	
R264			RK73GB1J104J	CHIP R 100K J 1/16W		R338			RK73GB1J331J	CHIP R 330 J 1/16W	
R265			RK73GB1J103J	CHIP R 10K J 1/16W		R339			RK73GB1J101J	CHIP R 100 J 1/16W	
R266,267			RK73GB1J330J	CHIP R 33 J 1/16W		R340			RK73GB1J274J	CHIP R 270K J 1/16W	
R268			RK73GB1J273J	CHIP R 27K J 1/16W		R341,342			RK73GB1J103J	CHIP R 10K J 1/16W	



## PARTS LIST

TX-RX 1 UNIT (X57-605X-XX)

Ref. No.	Address	New parts	Parts No.	Description	Desti-nation	Ref. No.	Address	New parts	Parts No.	Description	Desti-nation
R343			RK73GB1J681J	CHIP R 680 J 1/16W		R430			R92-1252-05	CHIP R 0 OHM J 1/16W	
R344			RK73GB1J223J	CHIP R 22K J 1/16W		R431			RK73GB1J104J	CHIP R 100K J 1/16W	
R345			RK73GB1J332J	CHIP R 3.3K J 1/16W		R432			R92-1252-05	CHIP R 0 OHM J 1/16W	
R346			RK73GB1J681J	CHIP R 680 J 1/16W		R433-435			RK73GB1J104J	CHIP R 100K J 1/16W	
R347			RK73GB1J471J	CHIP R 470 J 1/16W		R438,439			RK73GB1J104J	CHIP R 100K J 1/16W	
R348			RK73GB1J332J	CHIP R 3.3K J 1/16W		R440			RK73GB1J224J	CHIP R 220K J 1/16W	
R349			RK73GB1J101J	CHIP R 100 J 1/16W		R442			RK73GB1J273J	CHIP R 27K J 1/16W	
R350			RK73GB1J102J	CHIP R 1.0K J 1/16W		R443			R92-1252-05	CHIP R 0 OHM J 1/16W	
R351			RK73GB1J223J	CHIP R 22K J 1/16W		R444			RK73GB1J103J	CHIP R 10K J 1/16W	
R352			RK73GB1J683J	CHIP R 68K J 1/16W		R445			RK73GB1J102J	CHIP R 1.0K J 1/16W	
R355			RK73GB1J102J	CHIP R 1.0K J 1/16W		R446-448			RK73GB1J104J	CHIP R 100K J 1/16W	
R356			RK73GB1J474J	CHIP R 470K J 1/16W		R449			RK73GB1J221J	CHIP R 220 J 1/16W	
R359			RK73GB1J104J	CHIP R 100K J 1/16W		R450			RK73GB1J102J	CHIP R 1.0K J 1/16W	
R361			RK73GB1J103J	CHIP R 10K J 1/16W		R451			RK73GB1J272J	CHIP R 2.7K J 1/16W	
R364			RK73GB1J473J	CHIP R 47K J 1/16W		R452,453			R92-1252-05	CHIP R 0 OHM J 1/16W	
R365			RK73GB1J273J	CHIP R 27K J 1/16W		R454,455			RK73GB1J101J	CHIP R 100 J 1/16W	
R366			RK73GB1J271J	CHIP R 270 J 1/16W		R460-475			RK73GB1J102J	CHIP R 1.0K J 1/16W	
R367,368			RK73GB1J4R7J	CHIP R 4.7 J 1/16W		R476			RK73GB1J563J	CHIP R 56K J 1/16W	
R369			RK73GB1J271J	CHIP R 270 J 1/16W		R477			RK73GB1J103J	CHIP R 10K J 1/16W	
R370			RK73GB1J273J	CHIP R 27K J 1/16W		R478			R92-1252-05	CHIP R 0 OHM J 1/16W	
R371			RK73GB1J102J	CHIP R 1.0K J 1/16W		R479			RK73GB1J473J	CHIP R 47K J 1/16W	
R372			RK73GB1J473J	CHIP R 47K J 1/16W		R480			RK73GB1J563J	CHIP R 56K J 1/16W	
R373,374			RK73GB1J472J	CHIP R 4.7K J 1/16W		R481			RK73GB1J103J	CHIP R 10K J 1/16W	
R375			RK73GB1J102J	CHIP R 1.0K J 1/16W		R482			RK73GB1J334J	CHIP R 330K J 1/16W	
R376			RK73GB1J331J	CHIP R 330 J 1/16W		R483			R92-1252-05	CHIP R 0 OHM J 1/16W	
R377			RK73GB1J104J	CHIP R 100K J 1/16W		R484			RK73GB1J474J	CHIP R 470K J 1/16W	
R378			RK73GB1J331J	CHIP R 330 J 1/16W		R485			RK73GB1J124J	CHIP R 120K J 1/16W	
R379			RK73GB1J272J	CHIP R 2.7K J 1/16W		R486			RK73GB1J224J	CHIP R 220K J 1/16W	
R380,381			RK73GB1J223J	CHIP R 22K J 1/16W		R487			RK73GB1J104J	CHIP R 100K J 1/16W	
R382			RK73GB1J471J	CHIP R 470 J 1/16W		R488			RK73GB1J101J	CHIP R 100 J 1/16W	
R383			RK73GB1J223J	CHIP R 22K J 1/16W		R489			RK73GB1J104J	CHIP R 100K J 1/16W	
R384,385			RK73GB1J101J	CHIP R 100 J 1/16W		R491,492			RK73GB1J102J	CHIP R 1.0K J 1/16W	
R386			RK73GB1J103J	CHIP R 10K J 1/16W		R493-496			RK73GB1J101J	CHIP R 100 J 1/16W	
R387			RK73GB1J472J	CHIP R 4.7K J 1/16W		R497-499			RK73GB1J471J	CHIP R 470 J 1/16W	
R391			RK73GB1J103J	CHIP R 10K J 1/16W		R500-502			RK73GB1J104J	CHIP R 100K J 1/16W	
R392			RK73GB1J100J	CHIP R 10 J 1/16W		R503,504			RK73GB1J101J	CHIP R 100 J 1/16W	
R397			RK73GB1J104J	CHIP R 100K J 1/16W		R505			RK73GB1J151J	CHIP R 150 J 1/16W	
R398,399			R92-1252-05	CHIP R 0 OHM J 1/16W		R506,507			RK73GB1J101J	CHIP R 100 J 1/16W	
R400			RK73GB1J103J	CHIP R 10K J 1/16W		R508			RK73GB1J123J	CHIP R 12K J 1/16W	
R401-404			RK73GB1J101J	CHIP R 100 J 1/16W		R509			RK73GB1J103J	CHIP R 10K J 1/16W	
R405-408			RK73GB1J2R2J	CHIP R 2.2 J 1/16W		R601			RK73GB1J101J	CHIP R 100 J 1/16W	
R409			RK73GB1J104J	CHIP R 100K J 1/16W		R602			RK73GB1J823J	CHIP R 82K J 1/16W	
R410			RK73GB1J334J	CHIP R 330K J 1/16W		R603			RK73GB1J561J	CHIP R 560 J 1/16W	
R411			RK73GB1J822J	CHIP R 8.2K J 1/16W		R604			RK73GB1J392J	CHIP R 3.9K J 1/16W	
R412			RK73GB1J222J	CHIP R 2.2K J 1/16W		R605			RK73GB1J331J	CHIP R 330 J 1/16W	
R413			RK73GB1J103J	CHIP R 10K J 1/16W		R607			RK73GB1J822J	CHIP R 8.2K J 1/16W	
R414			RK73GB1J153J	CHIP R 15K J 1/16W		R608			RK73GB1J153J	CHIP R 15K J 1/16W	
R415,416			RK73GB1J102J	CHIP R 1.0K J 1/16W		R609			RK73GB1J181J	CHIP R 180 J 1/16W	
R417			RK73GB1J222J	CHIP R 2.2K J 1/16W		R610			RK73GB1J221J	CHIP R 220 J 1/16W	
R418,419			RK73GB1J331J	CHIP R 330 J 1/16W		R611			RK73GB1J101J	CHIP R 100 J 1/16W	
R420			RK73GB1J102J	CHIP R 1.0K J 1/16W		R612			RK73GB1J823J	CHIP R 82K J 1/16W	
R421			RK73GB1J101J	CHIP R 100 J 1/16W		R613			RK73GB1J561J	CHIP R 560 J 1/16W	
R422			RK73GB1J104J	CHIP R 100K J 1/16W		R614			RK73GB1J392J	CHIP R 3.9K J 1/16W	
R423			RK73GB1J153J	CHIP R 15K J 1/16W		R615			RK73GB1J331J	CHIP R 330 J 1/16W	
R424			RK73GB1J222J	CHIP R 2.2K J 1/16W		R616			RK73GB1J101J	CHIP R 100 J 1/16W	
R425			RK73GB1J332J	CHIP R 3.3K J 1/16W		R617			RK73GB1J822J	CHIP R 8.2K J 1/16W	
R426			RK73GB1J104J	CHIP R 100K J 1/16W		R618			RK73GB1J153J	CHIP R 15K J 1/16W	
R427			RK73GB1J332J	CHIP R 3.3K J 1/16W		R619			RK73GB1J181J	CHIP R 180 J 1/16W	
R428			RK73GB1J822J	CHIP R 8.2K J 1/16W		R621			RK73GB1J101J	CHIP R 100 J 1/16W	
R429			RK73GB1J100J	CHIP R 10 J 1/16W		R622			RK73GB1J823J	CHIP R 82K J 1/16W	

K : TS-2000 (K)    KB : TS-B2000 (K)    KX : TS-2000X (K)    E : TS-2000 (E)  
 EB : TS-B2000 (E)    E2 : TS-2000 (E2)    E2B : TS-B2000 (E2)    EX : TS-2000X (E)

## PARTS LIST

### TX-RX 1 UNIT (X57-605X-XX)

Ref. No.	Address	New parts	Parts No.	Description	Destination	Ref. No.	Address	New parts	Parts No.	Description	Destination
R623			RK73GB1J561J	CHIP R 560 J 1/16W		R762			RK73GB1J222J	CHIP R 2.2K J 1/16W	
R624			RK73GB1J392J	CHIP R 3.9K J 1/16W		R763			RK73GB1J101J	CHIP R 100 J 1/16W	
R625			RK73GB1J331J	CHIP R 330 J 1/16W		R764			RK73GB1J152J	CHIP R 1.5K J 1/16W	
R626			RK73GB1J101J	CHIP R 100 J 1/16W		R765			RK73GB1J182J	CHIP R 1.8K J 1/16W	
R627			RK73GB1J822J	CHIP R 8.2K J 1/16W		R766			RK73GB1J221J	CHIP R 220 J 1/16W	
R628			RK73GB1J153J	CHIP R 15K J 1/16W		R767			RK73GB1J103J	CHIP R 10K J 1/16W	
R629			RK73GB1J181J	CHIP R 180 J 1/16W		R768			RK73GB1J471J	CHIP R 470 J 1/16W	
R630			RK73GB1J221J	CHIP R 220 J 1/16W		R769			RK73GB1J223J	CHIP R 22K J 1/16W	
R631			RK73GB1J103J	CHIP R 10K J 1/16W		R770			RK73GB1J472J	CHIP R 4.7K J 1/16W	
R632-639			RK73GB1J331J	CHIP R 330 J 1/16W		R771			RK73GB1J104J	CHIP R 100K J 1/16W	
R640			RK73GB1J222J	CHIP R 2.2K J 1/16W		R772			RK73GB1J684J	CHIP R 680K J 1/16W	
R641			RK73GB1J101J	CHIP R 100 J 1/16W		R773			RK73GB1J391J	CHIP R 390 J 1/16W	
R642			RK73GB1J222J	CHIP R 2.2K J 1/16W		R774			RK73GB1J101J	CHIP R 100 J 1/16W	
R643,644			RK73GB1J102J	CHIP R 1.0K J 1/16W		R775			RK73GB1J392J	CHIP R 3.9K J 1/16W	
R700			RK73GB1J101J	CHIP R 100 J 1/16W		R776			RK73GB1J562J	CHIP R 5.6K J 1/16W	
R701			RK73GB1J103J	CHIP R 10K J 1/16W		R777			RK73GB1J473J	CHIP R 47K J 1/16W	
R702,703			RK73GB1J471J	CHIP R 470 J 1/16W		R778			RK73GB1J184J	CHIP R 180K J 1/16W	
R704			RK73GB1J473J	CHIP R 47K J 1/16W		R779			RK73GB1J102J	CHIP R 1.0K J 1/16W	
R707-710			RK73GB1J472J	CHIP R 4.7K J 1/16W		R780			RK73GB1J101J	CHIP R 100 J 1/16W	
R711			RK73GB1J103J	CHIP R 10K J 1/16W		R781			RK73GB1J152J	CHIP R 1.5K J 1/16W	
R712,713			RK73GB1J101J	CHIP R 100 J 1/16W		R782			RK73GB1J124J	CHIP R 120K J 1/16W	
R714,715			RK73GB1J471J	CHIP R 470 J 1/16W		R783			RK73GB1J471J	CHIP R 470 J 1/16W	
R717,718			RK73GB1J104J	CHIP R 100K J 1/16W		R784			RK73GB1J333J	CHIP R 33K J 1/16W	
R719			RK73GB1J393J	CHIP R 39K J 1/16W		R785,786			RK73GB1J2R2J	CHIP R 2.2 J 1/16W	
R720			RK73GB1J102J	CHIP R 1.0K J 1/16W		R787			RK73FB2A473J	CHIP R 47K J 1/10W	
R721			RK73GB1J101J	CHIP R 100 J 1/16W		R788			RK73GB1J182J	CHIP R 1.8K J 1/16W	
R722			RK73GB1J471J	CHIP R 470 J 1/16W		R800			RK73FB2A681J	CHIP R 680 J 1/10W	K,KX,E
R725			RK73GB1J562J	CHIP R 5.6K J 1/16W		R800			RK73FB2A681J	CHIP R 680 J 1/10W	E2,EX
R727			RK73GB1J121J	CHIP R 120 J 1/16W		R801			RK73FB2A222J	CHIP R 2.2K J 1/10W	K,KX,E
R728			RK73GB1J471J	CHIP R 470 J 1/16W		R801			RK73FB2A222J	CHIP R 2.2K J 1/10W	E2,EX
R729			RK73GB1J221J	CHIP R 220 J 1/16W		R802			RK73FB2A681J	CHIP R 680 J 1/10W	K,KX,E
R731			RK73GB1J102J	CHIP R 1.0K J 1/16W		R802			RK73FB2A681J	CHIP R 680 J 1/10W	E2,EX
R732			RK73GB1J103J	CHIP R 10K J 1/16W		R803			RK73FB2A102J	CHIP R 1.0K J 1/10W	K,KX,E
R733			RK73GB1J472J	CHIP R 4.7K J 1/16W		R803			RK73FB2A102J	CHIP R 1.0K J 1/10W	E2,EX
R734			R92-1252-05	CHIP R 0 OHM J 1/16W		R804			RK73FB2A681J	CHIP R 680 J 1/10W	K,KX,E
R735			RK73GB1J104J	CHIP R 100K J 1/16W		R804			RK73FB2A681J	CHIP R 680 J 1/10W	E2,EX
R736			RK73GB1J473J	CHIP R 47K J 1/16W		R805			RK73FB2A682J	CHIP R 6.8K J 1/10W	K,KX,E
R737			RK73GB1J472J	CHIP R 4.7K J 1/16W		R805			RK73FB2A682J	CHIP R 6.8K J 1/10W	E2,EX
R738			RK73GB1J182J	CHIP R 1.8K J 1/16W		R806			RK73FB2A681J	CHIP R 680 J 1/10W	K,KX,E
R739,740			RK73GB1J103J	CHIP R 10K J 1/16W		R806			RK73FB2A681J	CHIP R 680 J 1/10W	E2,EX
R741			RK73GB1J151J	CHIP R 150 J 1/16W		R807			RK73FB2A102J	CHIP R 1.0K J 1/10W	K,KX,E
R742			RK73GB1J331J	CHIP R 330 J 1/16W		R807			RK73FB2A102J	CHIP R 1.0K J 1/10W	E2,EX
R743,744			RK73GB1J103J	CHIP R 10K J 1/16W		R808			RK73FB2A681J	CHIP R 680 J 1/10W	K,KX,E
R745			RK73FB2A100J	CHIP R 10 J 1/10W		R808			RK73FB2A681J	CHIP R 680 J 1/10W	E2,EX
R746			RK73GB1J333J	CHIP R 33K J 1/16W		R809			RK73FB2A222J	CHIP R 2.2K J 1/10W	K,KX,E
R747			RK73GB1J103J	CHIP R 10K J 1/16W		R809			RK73FB2A222J	CHIP R 2.2K J 1/10W	E2,EX
R748			RK73GB1J331J	CHIP R 330 J 1/16W		R818-822			RK73GB1J101J	CHIP R 100 J 1/16W	K,KX,E
R749			RK73GB1J180J	CHIP R 18 J 1/16W		R818-822			RK73GB1J101J	CHIP R 100 J 1/16W	E2,EX
R750			RK73GB1J331J	CHIP R 330 J 1/16W		R823			R92-1252-05	CHIP R 0 OHM J 1/16W	K,KX,E
R751			RK73GB1J151J	CHIP R 150 J 1/16W		R823			R92-1252-05	CHIP R 0 OHM J 1/16W	E2,EX
R752			RK73GB1J223J	CHIP R 22K J 1/16W		R824			R92-0670-05	CHIP R 0 OHM	K,KX,E
R753			RK73GB1J564J	CHIP R 560K J 1/16W		R824			R92-0670-05	CHIP R 0 OHM	E2,EX
R754			RK73GB1J222J	CHIP R 2.2K J 1/16W		R841			RK73GB1J473J	CHIP R 47K J 1/16W	K,KX,E
R755			R92-1252-05	CHIP R 0 OHM J 1/16W		R841			RK73GB1J473J	CHIP R 47K J 1/16W	E2,EX
R756			RK73GB1J393J	CHIP R 39K J 1/16W		R842			R92-1252-05	CHIP R 0 OHM J 1/16W	K,KX,E
R757			RK73GB1J333J	CHIP R 33K J 1/16W		R842			R92-1252-05	CHIP R 0 OHM J 1/16W	E2,EX
R758			RK73GB1J103J	CHIP R 10K J 1/16W		R846-853			RK73GB1J101J	CHIP R 100 J 1/16W	K,KX,E
R759			R92-1252-05	CHIP R 0 OHM J 1/16W		R846-853			RK73GB1J101J	CHIP R 100 J 1/16W	E2,EX
R760			RK73GB1J102J	CHIP R 1.0K J 1/16W		R855-862			RK73GB1J101J	CHIP R 100 J 1/16W	K,KX,E
R761			RK73GB1J101J	CHIP R 100 J 1/16W		R855-862			RK73GB1J101J	CHIP R 100 J 1/16W	E2,EX

## PARTS LIST

TX-RX 1 UNIT (X57-605X-XX)

Ref. No.	Address	New parts	Parts No.	Description	Desti-nation	Ref. No.	Address	New parts	Parts No.	Description	Desti-nation
R864			RK73GB1J101J	CHIP R 100 J 1/16W	K,KX,E	D1			LFB01	DIODE	
R864			RK73GB1J101J	CHIP R 100 J 1/16W	E2,EX	D2			DSP-301N	SURGE ABSORBER	
R867-871			RK73FB2A680J	CHIP R 68 J 1/10W	K,KX,E	D3			LFB01	DIODE	
R867-871			RK73FB2A680J	CHIP R 68 J 1/10W	E2,EX	D4			RLS245	DIODE	
R872			RK73GB1J103J	CHIP R 10K J 1/16W	K,KX,E	D5			V08(G)	DIODE	
R872			RK73GB1J103J	CHIP R 10K J 1/16W	E2,EX	D6			RLS245	DIODE	
R873			RK73GB1J101J	CHIP R 100 J 1/16W	K,KX,E	D7,8			RN731V	DIODE	
R873			RK73GB1J101J	CHIP R 100 J 1/16W	E2,EX	D9			V08(G)	DIODE	
R874			RK73GB1J103J	CHIP R 10K J 1/16W	K,KX,E	D10			LFB01	DIODE	
R874			RK73GB1J103J	CHIP R 10K J 1/16W	E2,EX	D11,12			RN731V	DIODE	
R875			RK73GB1J101J	CHIP R 100 J 1/16W	K,KX,E	D13			LFB01	DIODE	
R875			RK73GB1J101J	CHIP R 100 J 1/16W	E2,EX	D14			RN731V	DIODE	
R876			RK73GB1J103J	CHIP R 10K J 1/16W	K,KX,E	D15			LFB01	DIODE	
R876			RK73GB1J103J	CHIP R 10K J 1/16W	E2,EX	D16			RN731V	DIODE	
R877			RK73GB1J101J	CHIP R 100 J 1/16W	K,KX,E	D17			LFB01	DIODE	
R877			RK73GB1J101J	CHIP R 100 J 1/16W	E2,EX	D18			RN731V	DIODE	
R878			RK73GB1J103J	CHIP R 10K J 1/16W	K,KX,E	D19			LFB01	DIODE	
R878			RK73GB1J103J	CHIP R 10K J 1/16W	E2,EX	D20			RN731V	DIODE	
R879-881			RK73GB1J101J	CHIP R 100 J 1/16W	K,KX,E	D21			LFB01	DIODE	
R879-881			RK73GB1J101J	CHIP R 100 J 1/16W	E2,EX	D22			RN731V	DIODE	
R884,885			RK73GB1J103J	CHIP R 10K J 1/16W	K,KX,E	D23			LFB01	DIODE	
R884,885			RK73GB1J103J	CHIP R 10K J 1/16W	E2,EX	D24			RN731V	DIODE	
R886			RK73GB1J473J	CHIP R 47K J 1/16W	K,KX,E	D25,26			LFB01	DIODE	
R886			RK73GB1J473J	CHIP R 47K J 1/16W	E2,EX	D27			RN731V	DIODE	
R887-898			RK73GB1J101J	CHIP R 100 J 1/16W	K,KX,E	D28			LFB01	DIODE	
R887-898			RK73GB1J101J	CHIP R 100 J 1/16W	E2,EX	D29			RN731V	DIODE	
R899			RK73FB2A680J	CHIP R 68 J 1/10W	K,KX,E	D30			LFB01	DIODE	
R899			RK73FB2A680J	CHIP R 68 J 1/10W	E2,EX	D31			RN731V	DIODE	
R950,951			R92-1205-05	CHIP R 120 J 1/4W	K,KX,E	D32			LFB01	DIODE	
R950,951			R92-1205-05	CHIP R 120 J 1/4W	E2,EX	D33			RN731V	DIODE	
R952-955			RK73FB2A470J	CHIP R 47 J 1/10W		D34-36			LFB01	DIODE	
R956-960			RK73FB2A681J	CHIP R 680 J 1/10W	K,KX,E	D38,39			LFB01	DIODE	
R956-960			RK73FB2A681J	CHIP R 680 J 1/10W	E2,EX	D40-42			DAN235E	DIODE	
R962			RK73GB1J473J	CHIP R 47K J 1/16W	K,KX,E	D45,46			DAN235E	DIODE	
R962			RK73GB1J473J	CHIP R 47K J 1/16W	E2,EX	D47			HSC277	DIODE	
R964			RK73GB1J473J	CHIP R 47K J 1/16W	K,KX,E	D48			DAN202U	DIODE	
R964			RK73GB1J473J	CHIP R 47K J 1/16W	E2,EX	D49,50			HSC277	DIODE	
R970,971			R92-1205-05	CHIP R 120 J 1/4W	KB,EB,E2B	D52,53			HSC277	DIODE	
R972			RK73FB2A151J	CHIP R 150 J 1/10W	KB,EB,E2B	D55-58			HSC277	DIODE	
R973			RK73GB1J473J	CHIP R 47K J 1/16W	KB,EB,E2B	D60-62			HSC277	DIODE	
R974			RK73GB1J474J	CHIP R 470K J 1/16W	KB,EB,E2B	D64			HSC277	DIODE	
VR1			R12-6711-05	TRIMMING POT. (4.7K/8)		D65			DAN202U	DIODE	
VR2			R12-6707-05	TRIMMING POT. (1.0K/8)		D66			RB706F-40	DIODE	
VR3			R12-6717-05	TRIMMING POT. (47K/8)		D67-69			MA2S111	DIODE	
VR4			R12-6711-05	TRIMMING POT. (4.7K/8)		D70,71			DAP202U	DIODE	
VR950			R31-0633-05	VARIABLE RESISTOR	K,KX,E	D73			MA2S111	DIODE	
VR950			R31-0633-05	VARIABLE RESISTOR	E2,EX	D75			LFB01	DIODE	
VR951			R31-0637-05	VARIABLE RESISTOR	K,KX,E	D76-79			HVC350B	VARIABLE CAPACITANCE DIODE	
VR951			R31-0637-05	VARIABLE RESISTOR	E2,EX	D80			DAN235E	DIODE	
VR952			R31-0634-05	VARIABLE RESISTOR	K,KX,E	D81			HSC277	DIODE	
VR952			R31-0634-05	VARIABLE RESISTOR	E2,EX	D82			RN739D	DIODE	
K1,2			S51-1428-05	RELAY		D83			DAN202U	DIODE	
K3			S51-1420-05	RELAY		D84			RN739D	DIODE	
S1			S62-0412-05	SLIDE SWITCH		D85			MA2S111	DIODE	
S800-842			S70-0475-05	TACT SWITCH	K,KX,E	D87-89			MA2S111	DIODE	
S800-842			S70-0475-05	TACT SWITCH	E2,EX	D90			DAN235E	DIODE	
S950			S70-0461-05	TACT SWITCH	KB,EB,E2B	D91			HVC350B	VARIABLE CAPACITANCE DIODE	
S951			S70-0475-05	TACT SWITCH	KB,EB,E2B	D92-95			DAN202U	DIODE	
						D96			UDZ6.2(B)	ZENER DIODE	
						D97			1SS226	DIODE	

K : TS-2000 (K)    KB : TS-B2000 (K)    KX : TS-2000X (K)    E : TS-2000 (E)  
 EB : TS-B2000 (E)    E2 : TS-2000 (E2)    E2B : TS-B2000 (E2)    EX : TS-2000X (E)

## PARTS LIST

### TX-RX 1 UNIT (X57-605X-XX)

Ref. No.	Address	New parts	Parts No.	Description	Destination	Ref. No.	Address	New parts	Parts No.	Description	Destination
D98			LFB01	DIODE		IC801		*	30622M8A4C6GP	IC (CPU)	E2,EX
D99			DAN202U	DIODE		Q1			DTC114EKA	DIGITAL TRANSISTOR	
D100			02DZ5.1(Y)	ZENER DIODE		Q2			2SB1188(Q,R)	TRANSISTOR	
D101			MINISMD C050-02	VARISTOR		Q3			DTC114EKA	DIGITAL TRANSISTOR	
D102			UDZ10(B)	ZENER DIODE		Q4,5			DTA124EKA	DIGITAL TRANSISTOR	
D103,104			DAP202U	DIODE		Q6			DTA114EKA	DIGITAL TRANSISTOR	
D106			MA2S111	DIODE		Q7-10			2SK520(K44)	FET	
D107			UDZ10(B)	ZENER DIODE		Q11			DTA124EKA	DIGITAL TRANSISTOR	
D108			DTZ3.3(A)	ZENER DIODE		Q12			2SK2596	FET	
D109,110			DAP202U	DIODE		Q13			2SC3357	TRANSISTOR	
D111			MA2S111	DIODE		Q14			2SB1132(Q,R)	TRANSISTOR	
D112-114			02DZ5.1(Y)	ZENER DIODE		Q15			FMG1	DIGITAL TRANSISTOR	
D115,116			RB751V-40	DIODE		Q16,17			DTA124EKA	DIGITAL TRANSISTOR	
D117,118			MA2S111	DIODE		Q18			3SK131(M)	FET	
D119-124			RB751V-40	DIODE		Q19,20			2SK520(K43)	FET	
D130			XB15A204	DIODE		Q21			FMG1	DIGITAL TRANSISTOR	
D700			1SS355	DIODE		Q22			2SC4617(R)	TRANSISTOR	
D701,702			DAN202U	DIODE		Q25			3SK131(M)	FET	
D703			HVC350B	VARIABLE CAPACITANCE DIODE		Q26			UMW1	TRANSISTOR	
D704,705			LFB01	DIODE		Q27			2SC4617(R)	TRANSISTOR	
D706			DAN202U	DIODE		Q28			2SC4617(Q)	TRANSISTOR	
D707			MA742	DIODE		Q29			2SC4617(R)	TRANSISTOR	
D708			MA2S111	DIODE		Q30			2SC4617(Q)	TRANSISTOR	
D709			UDZS3.9B	ZENER DIODE		Q31			DTA114EKA	DIGITAL TRANSISTOR	
D711			MA2S111	DIODE		Q32			2SC4617(R)	TRANSISTOR	
D712,713			DA221	DIODE		Q33			FMG1	DIGITAL TRANSISTOR	
D714			MA2S077	DIODE		Q34			DTA124EKA	DIGITAL TRANSISTOR	
D715			HVC350B	VARIABLE CAPACITANCE DIODE		Q37			UMC2N	TRANSISTOR	
D716			MA2S111	DIODE		Q38			3SK131(M)	FET	
D717			DAP202U	DIODE		Q40			DTC114EKA	DIGITAL TRANSISTOR	
D719,720			02DZ5.1(Y)	ZENER DIODE		Q41,42			2SC4617(R)	TRANSISTOR	
D721			MA729	DIODE		Q43			2SK2596	FET	
D805-809			1SS355	DIODE	K, KX, E	Q44,45			3SK241(R)	FET	
D805-809			1SS355	DIODE	E2, EX	Q46,47			3SK131(M)	FET	
D950-952			1SS355	DIODE		Q48			2SC4617(R)	TRANSISTOR	
D959			1SS355	DIODE	KB, EB, E2B	Q49			3SK131(M)	FET	
D960			UDZ6.2(B)	ZENER DIODE	KB, EB, E2B	Q51			UMC2N	TRANSISTOR	
IC1			TA31136FN	IC (FM IF)		Q52			2SC4617(R)	TRANSISTOR	
IC2			NJM2904M	IC (OP AMPLIFIER)		Q53			UMC2N	TRANSISTOR	
IC3			TC74HC4053AFT	IC (MIXER)		Q54			2SC4617(R)	TRANSISTOR	
IC4			NJM2904M	IC (OP AMPLIFIER)		Q57			DTA114EKA	DIGITAL TRANSISTOR	
IC5			BU2099FV	IC (EXTENDED I/O)		Q58			UMW1	TRANSISTOR	
IC6			TA4101F	IC (MIXER)		Q59			2SC4617(R)	TRANSISTOR	
IC7			TC4W53FU	IC (MULTIPLEXER)		Q60			DTC114EKA	DIGITAL TRANSISTOR	
IC8			BU4066BCFV	IC (ANALOG SWITCH)		Q61,62			2SC4617(R)	TRANSISTOR	
IC9			LA4446	IC (AF PA)		Q63			UMW1	TRANSISTOR	
IC10			ADM202EARU	IC (LEVEL CONVERTER)		Q64			2SA1037K(R)	TRANSISTOR	
IC10			ADM3202ARU	IC (LEVEL CONVERTER)		Q65			2SB1188(Q,R)	TRANSISTOR	
IC11			TC74HC4050AFT	IC (BUFFER AMPLIFIER)		Q66,67			DTC114EKA	DIGITAL TRANSISTOR	
IC12			NJM2902M	IC (OP AMPLIFIER)		Q69			2SC4617(R)	TRANSISTOR	
IC13			NJM2904M	IC (OP AMPLIFIER)		Q70			2SB1132(Q,R)	TRANSISTOR	
IC14			M62363FP	IC (DAC)		Q71,72			FMG1	DIGITAL TRANSISTOR	
IC15			M62364FP	IC (DAC)		Q73,74			2SC4617(Q)	TRANSISTOR	
IC16,17			BU2099FV	IC (EXTENDED I/O)		Q75			DTC114EKA	DIGITAL TRANSISTOR	
IC18			NJM5532M	IC (OP AMPLIFIER)		Q76,77			2SC4617(Q)	TRANSISTOR	
IC19			NJM2904M	IC (OP AMPLIFIER)		Q78			2SK208(Y)	FET	
IC601-603			AD9835BRU	IC (DDS)		Q79			2SC4617(Q)	TRANSISTOR	
IC604			TC7S04FU	IC (INVERTER)		Q80			2SB1188(Q,R)	TRANSISTOR	
IC605			NJM78L08UA	IC (AVR)		Q81			FMG1	DIGITAL TRANSISTOR	
IC801		*	30622M8A4C6GP	IC (CPU)	K, KX, E	Q82,83			2SB1188(Q,R)	TRANSISTOR	

## PARTS LIST

**TX-RX 1 UNIT (X57-605X-XX)**

**TX-RX 2 UNIT (X57-606X-XX)**

Ref. No.	Address	New parts	Parts No.	Description	Desti-nation	Ref. No.	Address	New parts	Parts No.	Description	Desti-nation
Q84			FMG1	DIGITAL TRANSISTOR		TH9			157-502-65001	THERMISTOR	
Q85,86			2SB1188(Q,R)	TRANSISTOR		S902			W02-1985-05	ENCODER	K,KX,E
Q87			FMG1	DIGITAL TRANSISTOR		S902			W02-1985-05	ENCODER	E2,EX
Q88,89			2SB1188(Q,R)	TRANSISTOR		S903			W02-1988-05	ENCODER	K,KX,E
Q90			FMG1	DIGITAL TRANSISTOR		S903			W02-1988-05	ENCODER	E2,EX
Q91			2SB1188(Q,R)	TRANSISTOR		S904			W02-1989-05	ENCODER	K,KX,E
Q92			FMG1	DIGITAL TRANSISTOR		S904			W02-1989-05	ENCODER	E2,EX
Q93-95			2SC4617(R)	TRANSISTOR		<b>TX-RX 2 UNIT (X57-606X-XX) 0-11 : K,KB,KX 2-71 : E,EB,E2,E2B,EX</b>					
Q96			FMG1	DIGITAL TRANSISTOR		C1			CC73GCH1H120J	CHIP C 12PF J	
Q97			2SD1624(S)	TRANSISTOR		C2			CC73GCH1H0R5B	CHIP C 0.5PF B	
Q101-112			DTA114EKA	DIGITAL TRANSISTOR		C3			CC73GCH1H050B	CHIP C 5.0PF B	
Q601-606			2SC4617(R)	TRANSISTOR		C4			CC73GCH1H070B	CHIP C 7.0PF B	
Q607,608			DTC114EKA	DIGITAL TRANSISTOR		C5			CK73GB1H102K	CHIP C 1000PF K	
Q609			DTC124EKA	DIGITAL TRANSISTOR		C6			CC73GCH1H120J	CHIP C 12PF J	
Q700,701			3SK131(M)	FET		C8			CC73GCH1H120J	CHIP C 12PF J	E,EB,E2
Q702,703			DTC114EKA	DIGITAL TRANSISTOR		C8			CC73GCH1H120J	CHIP C 12PF J	E2B,EX
Q704			DTC124EKA	DIGITAL TRANSISTOR		C8			CC73GCH1H220J	CHIP C 22PF J	K,KB,KX
Q705			2SK2596	FET		C9-13			CK73GB1H102K	CHIP C 1000PF K	
Q706			2SB1132(Q,R)	TRANSISTOR		C14			CK73GB1H471K	CHIP C 470PF K	
Q707,708			FMG1	DIGITAL TRANSISTOR		C15			CK73GB1H102K	CHIP C 1000PF K	
Q709			2SC4617(Q)	TRANSISTOR		C16			CK73GB1H471K	CHIP C 470PF K	
Q710			2SC4617(S)	TRANSISTOR		C18,19			CK73GB1H102K	CHIP C 1000PF K	
Q711			2SC4617(R)	TRANSISTOR		C21			CK73GB1H471K	CHIP C 470PF K	
Q712			DTC124EKA	DIGITAL TRANSISTOR		C22			CC73GCH1H180J	CHIP C 18PF J	K,KB,KX
Q713			DTA114EKA	DIGITAL TRANSISTOR		C22			CK73GB1H102K	CHIP C 1000PF K	E,EB,E2
Q714			DTC124EKA	DIGITAL TRANSISTOR		C22			CK73GB1H102K	CHIP C 1000PF K	E2B,EX
Q715			2SC4617(R)	TRANSISTOR	K,KX,E	C23,24			CK73GB1H471K	CHIP C 470PF K	
Q800			DTC114EE	DIGITAL TRANSISTOR	E2,EX	C25,26			CC73GCH1H101J	CHIP C 100PF J	
Q800			DTC114EE	DIGITAL TRANSISTOR	E2,EX	C27			CK73GB1H471K	CHIP C 470PF K	
Q801			2SA1641(S,T)	TRANSISTOR	K,KX,E	C28			CK73GB1H102K	CHIP C 1000PF K	
Q801			2SA1641(S,T)	TRANSISTOR	E2,EX	C29			CK73GB1H471K	CHIP C 470PF K	
Q802			DTC114EE	DIGITAL TRANSISTOR	K,KX,E	C30			CK73GB1C104K	CHIP C 0.10UF K	
Q802			DTC114EE	DIGITAL TRANSISTOR	E2,EX	C31,32			CK73GB1H102K	CHIP C 1000PF K	
Q803			2SC2712(Y)	TRANSISTOR	K,KX,E	C33			CK73GB1H471K	CHIP C 470PF K	
Q803			2SC2712(Y)	TRANSISTOR	E2,EX	C34			CK73GB1H102K	CHIP C 1000PF K	
Q804			DTC114EE	DIGITAL TRANSISTOR	K,KX,E	C35			CK73GB1H103K	CHIP C 0.010UF K	
Q804			DTC114EE	DIGITAL TRANSISTOR	E2,EX	C36,37			CK73GB1H102K	CHIP C 1000PF K	
Q805			2SA1162(Y)	TRANSISTOR	K,KX,E	C39			CK73GB1H471K	CHIP C 470PF K	
Q805			2SA1162(Y)	TRANSISTOR	E2,EX	C40			CK73GB1H102K	CHIP C 1000PF K	
Q806			DTC114EE	DIGITAL TRANSISTOR	K,KX,E	C41			C92-0625-05	ELECTRO 4.7UF 25WV	
Q806			DTC114EE	DIGITAL TRANSISTOR	E2,EX	C42			CK73GB1H102K	CHIP C 1000PF K	
Q808			DTC114EE	DIGITAL TRANSISTOR	K,KX,E	C43			CK73GB1H471K	CHIP C 470PF K	
Q808			DTC114EE	DIGITAL TRANSISTOR	E2,EX	C44,45			CK73GB1H102K	CHIP C 1000PF K	
Q811			DTC114EE	DIGITAL TRANSISTOR	K,KX,E	C46			CK73GB1H471K	CHIP C 470PF K	
Q811			DTC114EE	DIGITAL TRANSISTOR	E2,EX	C47			CC73GCH1HR75B	CHIP C 0.75PF B	
Q813			DTC114EE	DIGITAL TRANSISTOR	K,KX,E	C48			CK73GB1H103K	CHIP C 0.010UF K	
Q813			DTC114EE	DIGITAL TRANSISTOR	E2,EX	C49-51			CK73GB1H102K	CHIP C 1000PF K	
Q815			DTC114EE	DIGITAL TRANSISTOR	K,KX,E	C52			CC73GCH1H040B	CHIP C 4.0PF B	
Q815			DTC114EE	DIGITAL TRANSISTOR	E2,EX	C53			C92-0625-05	ELECTRO 4.7UF 25WV	
Q817			DTC114EE	DIGITAL TRANSISTOR	K,KX,E	C54			CK73GB1H102K	CHIP C 1000PF K	
Q817			DTC114EE	DIGITAL TRANSISTOR	E2,EX	C55			CK73GB1H471K	CHIP C 470PF K	
Q819,820			DTC114EE	DIGITAL TRANSISTOR	K,KX,E	C56			CK73GB1H102K	CHIP C 1000PF K	
Q819,820			DTC114EE	DIGITAL TRANSISTOR	E2,EX	C57			CK73GB1H471K	CHIP C 470PF K	
Q822			DTC114EE	DIGITAL TRANSISTOR	K,KX,E	C58,59			CK73GB1H102K	CHIP C 1000PF K	
Q822			DTC114EE	DIGITAL TRANSISTOR	E2,EX	C60,61			CK73GB1H471K	CHIP C 470PF K	
Q951			2SC4617(R)	TRANSISTOR	KB,EB,E2B	C62			CK73GB1H102K	CHIP C 1000PF K	
TH1,2			157-502-65001	THERMISTOR		C63			CC73GCH1H080B	CHIP C 8.0PF B	
TH3			157-302-65801	THERMISTOR							
TH5,6			157-302-65801	THERMISTOR							
TH7,8			157-102-65001	THERMISTOR							

**K : TS-2000 (K)    KB : TS-B2000 (K)    KX : TS-2000X (K)    E : TS-2000 (E)**  
**EB : TS-B2000 (E)    E2 : TS-2000 (E2)    E2B : TS-B2000 (E2)    EX : TS-2000X (E)**

## PARTS LIST

### TX-RX 2 UNIT (X57-606X-XX)

Ref. No.	Address	New parts	Parts No.	Description	Destination	Ref. No.	Address	New parts	Parts No.	Description	Destination
C64			CK73GB1H102K	CHIP C 1000PF K		C136,137			CK73GB1H102K	CHIP C 1000PF K	
C65			CC73GCH1H390J	CHIP C 39PF J		C138			CK73GB1H471K	CHIP C 470PF K	
C66			CC73GCH1H010B	CHIP C 1.0PF B		C139,140			CK73GB1H102K	CHIP C 1000PF K	
C67			CC73GCH1H100D	CHIP C 10PF D		C141			CK73GB1H471K	CHIP C 470PF K	
C68			CK73GB1H471K	CHIP C 470PF K		C142			CC73GCH1H040B	CHIP C 4.0PF B	
C69			CC73GCH1H080B	CHIP C 8.0PF B		C143,144			CK73GB1H102K	CHIP C 1000PF K	
C70			CC73GCH1H120J	CHIP C 12PF J		C145			CK73GB1H471K	CHIP C 470PF K	
C71			CK73GB1H102K	CHIP C 1000PF K		C146			CC73GCH1H101J	CHIP C 100PF J	
C73			CK73GB1H103K	CHIP C 0.010UF K		C147			CC73GCH1H080B	CHIP C 8.0PF B	
C74,75			CK73GB1H102K	CHIP C 1000PF K		C148			CC73GCH1H050B	CHIP C 5.0PF B	
C76			CC73GCH1H070B	CHIP C 7.0PF B		C150			CC73GCH1H0R5B	CHIP C 0.5PF B	
C77			CC73GCH1H0R3B	CHIP C 0.3PF B		C151			CC73GCH1H120J	CHIP C 12PF J	
C78			CK73GB1H471K	CHIP C 470PF K		C152			CK73GB1H471K	CHIP C 470PF K	
C79			CC73GCH1H050B	CHIP C 5.0PF B		C153			CC73GCH1H101J	CHIP C 100PF J	
C80			CK73GB1H102K	CHIP C 1000PF K		C154			CK73GB1H102K	CHIP C 1000PF K	
C81			CK73GB1H471K	CHIP C 470PF K		C155			CC73GCH1H040B	CHIP C 4.0PF B	
C82			CK73GB1H102K	CHIP C 1000PF K		C156			CK73GB1H102K	CHIP C 1000PF K	
C83			CC73GCH1H040B	CHIP C 4.0PF B		C157			CC73GCH1H040B	CHIP C 4.0PF B	
C84			CC73GCH1H150J	CHIP C 15PF J		C158			CC73GCH1H060B	CHIP C 6.0PF B	
C85			CK73GB1H102K	CHIP C 1000PF K		C159			CK73GB1H102K	CHIP C 1000PF K	
C86			CK73GB1H471K	CHIP C 470PF K		C160			CC73GCH1H040B	CHIP C 4.0PF B	
C88			CK73GB1H102K	CHIP C 1000PF K		C161			CK73GB1H471K	CHIP C 470PF K	
C91			CC73GCH1H060B	CHIP C 6.0PF B		C162,163			CC73GCH1H050B	CHIP C 5.0PF B	
C92			CC73GCH1H070B	CHIP C 7.0PF B		C164			CC73GCH1H0R5B	CHIP C 0.5PF B	
C94			CK73GB1H102K	CHIP C 1000PF K		C165			CC73GCH1H020B	CHIP C 2.0PF B	
C95			CC73GCH1H030B	CHIP C 3.0PF B		C166			CC73GCH1H070B	CHIP C 7.0PF B	
C96			CK73GB1H471K	CHIP C 470PF K		C167			CK73GB1H471K	CHIP C 470PF K	
C97			CC73GCH1H0R5B	CHIP C 0.5PF B		C168			CC73GCH1H040B	CHIP C 4.0PF B	
C98			CC73GCH1H040B	CHIP C 4.0PF B		C169			CK73GB1H102K	CHIP C 1000PF K	
C99			CC73GCH1H0R5B	CHIP C 0.5PF B		C170			CC73GCH1H060B	CHIP C 6.0PF B	
C100			CC73GCH1H040B	CHIP C 4.0PF B		C171			CC73GCH1H120J	CHIP C 12PF J	
C101			CK73GB1H471K	CHIP C 470PF K		C172			CC73GCH1H0R3B	CHIP C 0.3PF B	
C102			CC73GCH1H0R5B	CHIP C 0.5PF B		C173			CC73GCH1H030B	CHIP C 3.0PF B	
C103			CC73GCH1H0R3B	CHIP C 0.3PF B		C174,175			CK73GB1H102K	CHIP C 1000PF K	
C104			CC73GCH1H050B	CHIP C 5.0PF B		C176			CK73GB1H471K	CHIP C 470PF K	
C105,106			CK73GB1H102K	CHIP C 1000PF K		C177			CC73GCH1H470J	CHIP C 47PF J	
C107			CC73GCH1H050B	CHIP C 5.0PF B		C178			CC73GCH1H0R3B	CHIP C 0.3PF B	
C108			CC73GCH1H270J	CHIP C 27PF J		C179			CC73GCH1H150J	CHIP C 15PF J	
C109			CC73GCH1H070B	CHIP C 7.0PF B		C180			CK73GB1H102K	CHIP C 1000PF K	
C110			CK73GB1H103K	CHIP C 0.010UF K		C181			CC73GCH1H050B	CHIP C 5.0PF B	
C111			CC73GCH1H050B	CHIP C 5.0PF B		C182			CC73GCH1H090B	CHIP C 9.0PF B	
C112			CC73GCH1H100D	CHIP C 10PF D		C183			CK73GB1H102K	CHIP C 1000PF K	
C113			CK73GB1H102K	CHIP C 1000PF K		C184			CK73GB1H471K	CHIP C 470PF K	
C114			CK73GB1H471K	CHIP C 470PF K		C185			CC73GCH1H050B	CHIP C 5.0PF B	
C115			CC73GCH1H180J	CHIP C 18PF J		C186			CC73GCH1H0R3B	CHIP C 0.3PF B	
C116			CC73GCH1H0R3B	CHIP C 0.3PF B		C187			CK73GB1H103K	CHIP C 0.010UF K	
C117,118			CK73GB1H102K	CHIP C 1000PF K		C188			CC73GCH1H100D	CHIP C 10PF D	
C119			CC73GCH1H180J	CHIP C 18PF J		C189			CC73GCH1H0R3B	CHIP C 0.3PF B	
C120			CK73GB1H102K	CHIP C 1000PF K		C190			CC73GCH1H100D	CHIP C 10PF D	
C123			CK73GB1H102K	CHIP C 1000PF K		C191			CK73FB1C105K	CHIP C 1.0UF K	
C124			CC73GCH1H120J	CHIP C 12PF J		C192			CC73GCH1H040B	CHIP C 4.0PF B	
C125			CC73GCH1H060B	CHIP C 6.0PF B		C193,194			CK73GB1H102K	CHIP C 1000PF K	
C126			CK73GB1H102K	CHIP C 1000PF K		C195			CK73GB1H103K	CHIP C 0.010UF K	
C127			CK73GB1H471K	CHIP C 470PF K		C196-199			CK73GB1H102K	CHIP C 1000PF K	
C128			CC73GCH1H020B	CHIP C 2.0PF B		C200,201			CK73GB1H471K	CHIP C 470PF K	
C129			CK73GB1H471K	CHIP C 470PF K		C202,203			CC73GCH1H040B	CHIP C 4.0PF B	
C130			CK73GB1H102K	CHIP C 1000PF K		C204			CC73GCH1H2R5B	CHIP C 2.5PF B	
C131-133			CK73GB1H471K	CHIP C 470PF K		C205			CK73GB1H471K	CHIP C 470PF K	
C134			CC73GCH1H050B	CHIP C 5.0PF B		C206,207			CK73GB1H102K	CHIP C 1000PF K	
C135			CC73GCH1H060B	CHIP C 6.0PF B		C208,209			CK73GB1H471K	CHIP C 470PF K	

## PARTS LIST

TX-RX 2 UNIT (X57-606X-XX)

Ref. No.	Address	New parts	Parts No.	Description	Desti- nation	Ref. No.	Address	New parts	Parts No.	Description	Desti- nation
C210			CK73FB1C105K	CHIP C 1.0UF K		C293,294			CK73FB1C105K	CHIP C 1.0UF K	
C211			CK73GB1H471K	CHIP C 470PF K		C295			CK73GB1H103K	CHIP C 0.010UF K	
C212			CK73GB1H102K	CHIP C 1000PF K		C296			CC73GCH1H060B	CHIP C 6.0PF B	
C213			CK73GB1C104K	CHIP C 0.10UF K		C297,298			CK73GB1H103K	CHIP C 0.010UF K	
C214-219			CK73GB1H102K	CHIP C 1000PF K		C299			CK73GB1H471K	CHIP C 470PF K	
C220-222			CK73GB1C104K	CHIP C 0.10UF K		C300			CK73GB1H102K	CHIP C 1000PF K	
C224			CC73GCH1H100D	CHIP C 10PF D		C301			CK73GB1H103K	CHIP C 0.010UF K	
C225			CK73GB1C104K	CHIP C 0.10UF K		C303			CK73GB1C104K	CHIP C 0.10UF K	
C227			CC73GCH1H020B	CHIP C 2.0PF B		C304-307			CK73GB1H103K	CHIP C 0.010UF K	
C232			CK73GB1H102K	CHIP C 1000PF K		C308,309			CK73GB1C104K	CHIP C 0.10UF K	E,EB,E2
C233			CC73GCH1H220J	CHIP C 22PF J		C308,309			CK73GB1C104K	CHIP C 0.10UF K	E2B,EX
C234			CC73GCH1H270J	CHIP C 27PF J		C309			CK73GB1C104K	CHIP C 0.10UF K	K,KB,KX
C235			CK73GB1H102K	CHIP C 1000PF K		C310			CK73GB1H103K	CHIP C 0.010UF K	
C238			CK73GB1H102K	CHIP C 1000PF K		C312			CK73GB1C104K	CHIP C 0.10UF K	
C239			CK73GB1H471K	CHIP C 470PF K		C314,315			CK73GB1H103K	CHIP C 0.010UF K	
C240			CC73GCH1H050B	CHIP C 5.0PF B		C316			CC73GCH1H120J	CHIP C 12PF J	
C241			CC73GCH1H120J	CHIP C 12PF J		C317,318			CK73GB1H103K	CHIP C 0.010UF K	
C242,243			CK73GB1H102K	CHIP C 1000PF K		C319			CC73GCH1H240J	CHIP C 24PF J	
C245			CK73GB1H102K	CHIP C 1000PF K		C320			CK73GB1H103K	CHIP C 0.010UF K	
C246			CC73GCH1H030B	CHIP C 3.0PF B		C321			CC73GCH1H240J	CHIP C 24PF J	
C247			CK73GB1H471K	CHIP C 470PF K		C322			CK73GB1H103K	CHIP C 0.010UF K	
C248			CC73GCH1H150J	CHIP C 15PF J		C323			C92-0610-05	ELECTRO 47UF 16WV	
C249			CC73GCH1H050B	CHIP C 5.0PF B	E,EB,E2	C324			CK73GB1H103K	CHIP C 0.010UF K	
C249			CC73GCH1H050B	CHIP C 5.0PF B	E2B,EX	C325			CK73GB1C104K	CHIP C 0.10UF K	
C249			CC73GCH1H100D	CHIP C 10PF D	K,KB,KX	C326,327			CC73GCH1H030B	CHIP C 3.0PF B	
C250			CK73GB1H471K	CHIP C 470PF K		C328			CK73GB1C104K	CHIP C 0.10UF K	
C251			CK73GB1C104K	CHIP C 0.10UF K		C329,330			CK73GB1H103K	CHIP C 0.010UF K	
C252			CC73GCH1H070B	CHIP C 7.0PF B		C331			CK73GB1C104K	CHIP C 0.10UF K	
C253			CK73GB1H103K	CHIP C 0.010UF K		C332			CK73GB1H102K	CHIP C 1000PF K	
C254			CC73GCH1H030B	CHIP C 3.0PF B		C333			CK73GB1H103K	CHIP C 0.010UF K	
C255			CK73GB1H103K	CHIP C 0.010UF K		C334			CK73GB1C104K	CHIP C 0.10UF K	
C256			CC73GCH1H120J	CHIP C 12PF J		C335			CC73GCH1H270J	CHIP C 27PF J	
C257			CK73GB1H102K	CHIP C 1000PF K		C336			CK73GB1C104K	CHIP C 0.10UF K	
C258			CK73GB1H103K	CHIP C 0.010UF K		C338			CC73GCH1H221J	CHIP C 220PF J	
C259			CK73GB1H102K	CHIP C 1000PF K		C339			CK73GB1H103K	CHIP C 0.010UF K	
C260			CK73GB1H103K	CHIP C 0.010UF K		C340			CC73GCH1H221J	CHIP C 220PF J	
C261			CK73GB1H102K	CHIP C 1000PF K		C341			CK73GB1H471K	CHIP C 470PF K	
C262,263			CK73GB1H103K	CHIP C 0.010UF K		C342,343			CK73GB1C104K	CHIP C 0.10UF K	
C264,265			CK73GB1H102K	CHIP C 1000PF K		C345			CK73GB1H103K	CHIP C 0.010UF K	
C266			CK73GB1H103K	CHIP C 0.010UF K		C346			CK73GB1C473K	CHIP C 0.047UF K	
C267			CK73GB1C104K	CHIP C 0.10UF K		C347			CK73GB1H472K	CHIP C 4700PF K	
C268			CC73GCH1H390J	CHIP C 39PF J		C348			CC73GCH1H331J	CHIP C 330PF J	
C269			CK73GB1H103K	CHIP C 0.010UF K		C349			CK73GB1C104K	CHIP C 0.10UF K	
C270			CK73GB1H102K	CHIP C 1000PF K		C350			CK73GB1H103K	CHIP C 0.010UF K	
C271			CC73GCH1H150J	CHIP C 15PF J		C352			CK73GB1C473K	CHIP C 0.047UF K	
C272			CK73GB1H102K	CHIP C 1000PF K		C353			CK73GB1H103K	CHIP C 0.010UF K	
C274			CK73GB1H471K	CHIP C 470PF K		C357			CK73GB1E223K	CHIP C 0.022UF K	
C276			CK73GB1H471K	CHIP C 470PF K		C358			CK73GB1C473K	CHIP C 0.047UF K	
C277			CC73GCH1H150J	CHIP C 15PF J		C359			CK73GB1H103K	CHIP C 0.010UF K	
C278			CK73GB1H103K	CHIP C 0.010UF K		C360			CK73GB1C104K	CHIP C 0.10UF K	
C279			CC73GCH1H010B	CHIP C 1.0PF B		C361			CC73GCH1H180J	CHIP C 18PF J	E,EB,E2
C280			CK73FB1C105K	CHIP C 1.0UF K		C361			CC73GCH1H180J	CHIP C 18PF J	E2B,EX
C281			CK73GB1C104K	CHIP C 0.10UF K		C361			CC73GCH1H270J	CHIP C 27PF J	K,KB,KX
C282			CC73GCH1H200J	CHIP C 20PF J		C362			CK73FB1C105K	CHIP C 1.0UF K	
C283			CC73GCH1H030B	CHIP C 3.0PF B		C363			C92-0610-05	ELECTRO 47UF 16WV	
C284-287			CK73GB1H103K	CHIP C 0.010UF K		C364,365			CK73FB1C105K	CHIP C 1.0UF K	
C288			CK73GB1H102K	CHIP C 1000PF K		C366			CK73GB1H103K	CHIP C 0.010UF K	
C289			CK73GB1C104K	CHIP C 0.10UF K	E,EB,E2	C368			C92-0628-05	CHIP-TAN 10UF 10WV	
C289			CK73GB1C104K	CHIP C 0.10UF K	E2B,EX	C372-375			CK73GB1H102K	CHIP C 1000PF K	
C290-292			CK73GB1H103K	CHIP C 0.010UF K		C376			CC73GCH1H060B	CHIP C 6.0PF B	

K : TS-2000 (K)    KB : TS-B2000 (K)    KX : TS-2000X (K)    E : TS-2000 (E)  
 EB : TS-B2000 (E)    E2 : TS-2000 (E2)    E2B : TS-B2000 (E2)    EX : TS-2000X (E)

## PARTS LIST

### TX-RX 2 UNIT (X57-606X-XX)

Ref. No.	Address	New parts	Parts No.	Description	Destination	Ref. No.	Address	New parts	Parts No.	Description	Destination
C377			CC73GCH1H330J	CHIP C 33PF J		C477			CK73GB1H103K	CHIP C 0.010UF K	
C378			CC73GCH1H060B	CHIP C 6.0PF B		C478,479			CK73GB1H471K	CHIP C 470PF K	
C379			CC73GCH1H050B	CHIP C 5.0PF B		C481,482			CC73GCH1H040B	CHIP C 4.0PF B	
C382			CC73GCH1H050B	CHIP C 5.0PF B		C483			CK73GB1H103K	CHIP C 0.010UF K	
C383			CK73GB1H102K	CHIP C 1000PF K		C484			CK73GB1H102K	CHIP C 1000PF K	
C384			CC73GCH1H0R5B	CHIP C 0.5PF B		C485			C92-0628-05	CHIP-TAN 10UF 10WV	
C385			CC73GCH1H010B	CHIP C 1.0PF B		C486,487			CC73GCH1H060B	CHIP C 6.0PF B	
C386			CC73GCH1H050B	CHIP C 5.0PF B		C488			CC73GCH1H390J	CHIP C 39PF J	
C387			CC73GCH1H180J	CHIP C 18PF J	K,KB,KX	C489			CK73GB1H103K	CHIP C 0.010UF K	
C387			CC73GCH1H470J	CHIP C 47PF J	E,EB,E2	C490			CK73GB1H472K	CHIP C 4700PF K	
C387			CC73GCH1H470J	CHIP C 47PF J	E2B,EX	C491,492			CC73GCH1H050B	CHIP C 5.0PF B	
C389,390			CK73GB1C104K	CHIP C 0.10UF K		C494			CK73GB1H103K	CHIP C 0.010UF K	
C391			C92-0628-05	CHIP-TAN 10UF 10WV		C495			CC73GCH1H470J	CHIP C 47PF J	
C393-399			CK73GB1H102K	CHIP C 1000PF K		C496			CK73GB1H102K	CHIP C 1000PF K	
C401			CK73GB1H102K	CHIP C 1000PF K		C497			CC73GCH1H060B	CHIP C 6.0PF B	
C420			CK73GB1H472K	CHIP C 4700PF K		C498			CK73GB1H102K	CHIP C 1000PF K	
C421			C92-0628-05	CHIP-TAN 10UF 10WV		C499			CC73GCH1H060B	CHIP C 6.0PF B	
C422			C92-0543-05	CHIP-TAN 3.3UF 10WV		C501			CK73GB1H471K	CHIP C 470PF K	
C423,424			CK73GB1H102K	CHIP C 1000PF K		C502			C92-0628-05	CHIP-TAN 10UF 10WV	
C425			C92-0628-05	CHIP-TAN 10UF 10WV		C503			CK73GB1H472K	CHIP C 4700PF K	
C427			CC73GCH1H180J	CHIP C 18PF J		C504			CK73GB1C473K	CHIP C 0.047UF K	
C428			CC73GCH1H100D	CHIP C 10PF D		C505			CC73GCH1H270J	CHIP C 27PF J	
C429			CK73GB1H102K	CHIP C 1000PF K		C506			CC73GCH1H040B	CHIP C 4.0PF B	
C431			CK73GB1H102K	CHIP C 1000PF K		C507			CK73GB1H103K	CHIP C 0.010UF K	
C432			C92-0543-05	CHIP-TAN 3.3UF 10WV		C508			CC73GCH1H470J	CHIP C 47PF J	
C433			CK73GB1H471K	CHIP C 470PF K		C509			CK73GB1H471K	CHIP C 470PF K	
C434			CC73GCH1H080B	CHIP C 8.0PF B		C510			CC73GCH1H101J	CHIP C 100PF J	
C435			CK73GB1H102K	CHIP C 1000PF K		C511			CK73GB1H471K	CHIP C 470PF K	
C436			CK73GB1H471K	CHIP C 470PF K		C512			CC73GCH1H390J	CHIP C 39PF J	
C437			CC73GCH1H060B	CHIP C 6.0PF B		C513			C92-0001-05	CHIP C 0.1UF 35WV	
C438			CK73GB1H102K	CHIP C 1000PF K		C514			C92-0004-05	CHIP-TAN 1.0UF 16WV	
C439			CK73GB1C473K	CHIP C 0.047UF K		C515			CC73GCH1H101J	CHIP C 100PF J	
C440			CK73GB1H102K	CHIP C 1000PF K		C516			C92-0003-05	CHIP-TAN 0.47UF 25WV	
C441			CK73GB1C473K	CHIP C 0.047UF K		C517			CC73GCH1H151J	CHIP C 150PF J	
C442			C92-0628-05	CHIP-TAN 10UF 10WV		C518			C92-0555-05	CHIP-TAN 0.047UF 35WV	
C443			CC73GCH1H050B	CHIP C 5.0PF B		C519			CK73GB1C473K	CHIP C 0.047UF K	
C444			CK73GB1C473K	CHIP C 0.047UF K		C520			CC73GCH1H151J	CHIP C 150PF J	
C445			CC73GCH1H030B	CHIP C 3.0PF B		C521			CK73GB1C473K	CHIP C 0.047UF K	
C446			CC73GCH1H1R5B	CHIP C 1.5PF B		C522			CC73GCH1H151J	CHIP C 150PF J	
C447			CK73GB1H103K	CHIP C 0.010UF K		C523			CK73GB1H472K	CHIP C 4700PF K	
C448,449			CK73GB1H102K	CHIP C 1000PF K		C524			CC73GCH1H470J	CHIP C 47PF J	
C453			CC73GCH1H070B	CHIP C 7.0PF B		C525			CC73GCH1H100D	CHIP C 10PF D	
C454			CC73GCH1H150J	CHIP C 15PF J		C526			CK73GB1H102K	CHIP C 1000PF K	
C455			CK73GB1H103K	CHIP C 0.010UF K		C527			CK73GB1C473K	CHIP C 0.047UF K	
C456			CC73GCH1H180J	CHIP C 18PF J		C528			C92-0628-05	CHIP-TAN 10UF 10WV	
C457			CC73GCH1H080B	CHIP C 8.0PF B		C529			CK73GB1H472K	CHIP C 4700PF K	
C458			CC73GCH1H070B	CHIP C 7.0PF B		C530			CC73GCH1H070B	CHIP C 7.0PF B	
C459,460			CK73GB1H102K	CHIP C 1000PF K		C531			CK73GB1C473K	CHIP C 0.047UF K	
C461			CK73GB1H472K	CHIP C 4700PF K		C532			CC73GCH1H270J	CHIP C 27PF J	
C462,463			CC73GCH1H180J	CHIP C 18PF J		C533			CC73GCH1H101J	CHIP C 100PF J	
C464			CK73GB1C473K	CHIP C 0.047UF K		C534			C92-1327-05	CHIP-TAN 100UF 10WV	
C465,466			CK73GB1H102K	CHIP C 1000PF K		C535			CC73GCH1H820J	CHIP C 82PF J	
C467,468			CK73GB1H103K	CHIP C 0.010UF K		C536			CK73GB1C473K	CHIP C 0.047UF K	
C468			CK73GB1H103K	CHIP C 0.010UF K		C537			CC73GCH1H020B	CHIP C 2.0PF B	
C469,470			CC73GCH1H0R5B	CHIP C 0.5PF B		C538			CK73GB1C473K	CHIP C 0.047UF K	
C471			C92-0628-05	CHIP-TAN 10UF 10WV		C539			C92-0628-05	CHIP-TAN 10UF 10WV	
C472			CC73GCH1H220J	CHIP C 22PF J		C540			CC73GCH1H150J	CHIP C 15PF J	
C473			C92-0628-05	CHIP-TAN 10UF 10WV		C541			CK73GB1C473K	CHIP C 0.047UF K	
C474			CK73GB1H471K	CHIP C 470PF K		C542			CC73GCH1H101J	CHIP C 100PF J	
C475,476			CK73GB1H102K	CHIP C 1000PF K		C543			CC73GCH1H080B	CHIP C 8.0PF B	



## PARTS LIST

TX-RX 2 UNIT (X57-606X-XX)

Ref. No.	Address	New parts	Parts No.	Description	Destination	Ref. No.	Address	New parts	Parts No.	Description	Destination
C544			CK73GB1H472K	CHIP C 4700PF K		C625			CK73GB1C473K	CHIP C 0.047UF K	
C545			CK73GB1H102K	CHIP C 1000PF K		C626			CC73GCH1H560J	CHIP C 56PF J	
C546			C92-1327-05	CHIP-TAN 100UF 10WV		C627			CC73GCH1H101J	CHIP C 100PF J	
C547			CC73GCH1H470J	CHIP C 47PF J		C628			CC73GCH1H040B	CHIP C 4.0PF B	
C548			CC73GCH1H010B	CHIP C 1.0PF B		C629			CC73GCH1H101J	CHIP C 100PF J	
C549			CC73GCH1H390J	CHIP C 39PF J		C630			CC73GCH1H820J	CHIP C 82PF J	
C550			CK73GB1H102K	CHIP C 1000PF K		C631			CC73GCH1H240J	CHIP C 24PF J	
C551			CC73GCH1H121J	CHIP C 120PF J		C632,633			CC73GCH1H030B	CHIP C 3.0PF B	
C552			CK73GB1H102K	CHIP C 1000PF K		C634			CC73GCH1H470J	CHIP C 47PF J	
C554			CK73GB1H103K	CHIP C 0.010UF K		C636			CC73GCH1H390J	CHIP C 39PF J	
C555			CC73GCH1H070B	CHIP C 7.0PF B		C637			CK73GB1C473K	CHIP C 0.047UF K	
C556			CC73GCH1H181J	CHIP C 180PF J		C638			CC73GCH1H070B	CHIP C 7.0PF B	
C558			CK73GB1H103K	CHIP C 0.010UF K		C639			CK73GB1C473K	CHIP C 0.047UF K	
C559,560			CK73GB1C473K	CHIP C 0.047UF K		C640			CC73GCH1H101J	CHIP C 100PF J	
C561			CC73GCH1H150J	CHIP C 15PF J		C641			CC73GCH1H560J	CHIP C 56PF J	
C562			CC73GCH1H470J	CHIP C 47PF J		C642			CK73GB1C473K	CHIP C 0.047UF K	
C563			CC73GCH1H151J	CHIP C 150PF J		C643			CC73GCH1H560J	CHIP C 56PF J	
C564			CC73GCH1H101J	CHIP C 100PF J		C644			CC73GCH1H820J	CHIP C 82PF J	
C565			CK73GB1H103K	CHIP C 0.010UF K		C645			CK73GB1C473K	CHIP C 0.047UF K	
C566			CC73GCH1H101J	CHIP C 100PF J		C646			CK73GB1H102K	CHIP C 1000PF K	
C567			CK73GB1H103K	CHIP C 0.010UF K		C647			CC73GCH1H120J	CHIP C 12PF J	
C568			CK73GB1H472K	CHIP C 4700PF K		C648			CK73GB1H102K	CHIP C 1000PF K	
C569			CC73GCH1H470J	CHIP C 47PF J		C649			CK73GB1C473K	CHIP C 0.047UF K	
C570			CC73GCH1H151J	CHIP C 150PF J		C650			CC73GCH1H100D	CHIP C 10PF D	
C571			CK73GB1H332K	CHIP C 3300PF K		C651			CC73GCH1H101J	CHIP C 100PF J	
C572,573			CK73GB1C473K	CHIP C 0.047UF K		C652			CC73GCH1H060B	CHIP C 6.0PF B	
C574			C92-0628-05	CHIP-TAN 10UF 10WV		C654			CC73GCH1H030B	CHIP C 3.0PF B	
C576			CK73GB1H472K	CHIP C 4700PF K		C656			CK73GB1H471K	CHIP C 470PF K	
C577			C92-0628-05	CHIP-TAN 10UF 10WV		C657			CC73GCH1H080B	CHIP C 8.0PF B	
C579			CK73GB1H472K	CHIP C 4700PF K		C658			CC73GCH1H0R5B	CHIP C 0.5PF B	
C580			CK73GB1C473K	CHIP C 0.047UF K		C659			CC73GCH1H560J	CHIP C 56PF J	
C581			CC73GCH1H220J	CHIP C 22PF J		C660			CK73GB1H332K	CHIP C 3300PF K	
C582			CC73GCH1H181J	CHIP C 180PF J		C662			CK73GB1H472K	CHIP C 4700PF K	
C583			C92-0628-05	CHIP-TAN 10UF 10WV		C663			CC73GCH1H120J	CHIP C 12PF J	
C585			CK73GB1H472K	CHIP C 4700PF K		C665			CK73GB1C473K	CHIP C 0.047UF K	
C586-588			CK73GB1H103K	CHIP C 0.010UF K		C666			CK73GB1H472K	CHIP C 4700PF K	
C588			CK73GB1H103K	CHIP C 0.010UF K		C667,668			CK73GB1C473K	CHIP C 0.047UF K	
C589,590			CK73GB1H102K	CHIP C 1000PF K		C669			CK73GB1H102K	CHIP C 1000PF K	
C591			CC73GCH1H390J	CHIP C 39PF J		C670			CC73GCH1H0R5B	CHIP C 0.5PF B	
C592			CC73GCH1H270J	CHIP C 27PF J		C671			CC73GCH1H390J	CHIP C 39PF J	
C593-595			CK73GB1H103K	CHIP C 0.010UF K		C672			CK73GB1H102K	CHIP C 1000PF K	
C596,597			C92-0628-05	CHIP-TAN 10UF 10WV		C674			CC73GCH1H101J	CHIP C 100PF J	
C598,599			CK73GB1C473K	CHIP C 0.047UF K		C675			CK73GB1H471K	CHIP C 470PF K	
C600			CK73GB1H102K	CHIP C 1000PF K		C676			CK73GB1C473K	CHIP C 0.047UF K	
C601			CC73GCH1H020B	CHIP C 2.0PF B		C677			CC73GCH1H151J	CHIP C 150PF J	
C602			C92-1327-05	CHIP-TAN 100UF 10WV		C679			CK73GB1C473K	CHIP C 0.047UF K	
C603			CK73GB1C473K	CHIP C 0.047UF K		C680			CK73GB1H102K	CHIP C 1000PF K	
C605,606			CK73GB1C473K	CHIP C 0.047UF K		C681			CC73GCH1H070B	CHIP C 7.0PF B	
C606			CK73GB1C473K	CHIP C 0.047UF K		C682			CK73GB1H471K	CHIP C 470PF K	
C607,608			CC73GCH1H560J	CHIP C 56PF J		C683			CK73GB1H102K	CHIP C 1000PF K	
C609			CC73GCH1H150J	CHIP C 15PF J		C684			CK73GB1H471K	CHIP C 470PF K	
C610,611			CC73GCH1H240J	CHIP C 24PF J		C685			CC73GCH1H020B	CHIP C 2.0PF B	
C612			CK73GB1H103K	CHIP C 0.010UF K		C686			C92-0511-05	CHIP-TAN 0.15UF 35WV	
C613			CC73GCH1H101J	CHIP C 100PF J		C687			CK73GB1H102K	CHIP C 1000PF K	
C614			CC73GCH1H100D	CHIP C 10PF D		C688			CC73GCH1H150J	CHIP C 15PF J	
C615			CC73GCH1H101J	CHIP C 100PF J		C689			CK73GB1H102K	CHIP C 1000PF K	
C616,617			CK73GB1C473K	CHIP C 0.047UF K		C690			CC73GCH1H070B	CHIP C 7.0PF B	
C618,619			CC73GCH1H100D	CHIP C 10PF D		C691			CK73GB1H103K	CHIP C 0.010UF K	
C620			C92-0628-05	CHIP-TAN 10UF 10WV		C693,694			CK73GB1H472K	CHIP C 4700PF K	
C621-623			CK73GB1C473K	CHIP C 0.047UF K		C694			CK73GB1H472K	CHIP C 4700PF K	

K : TS-2000 (K)    KB : TS-B2000 (K)    KX : TS-2000X (K)    E : TS-2000 (E)  
 EB : TS-B2000 (E)    E2 : TS-2000 (E2)    E2B : TS-B2000 (E2)    EX : TS-2000X (E)

## PARTS LIST

### TX-RX 2 UNIT (X57-606X-XX)

Ref. No.	Address	New parts	Parts No.	Description	Destination	Ref. No.	Address	New parts	Parts No.	Description	Destination
C695			CC73GCH1H060B	CHIP C 6.0PF B		C781			CC73GCH1H100D	CHIP C 10PF D	
C696			CK73GB1H102K	CHIP C 1000PF K		C782			CC73GCH1H050B	CHIP C 5.0PF B	
C698,699			C92-0628-05	CHIP-TAN 10UF 10WV		C783			CK73GB1H103K	CHIP C 0.010UF K	
C700			CC73GCH1H150J	CHIP C 15PF J		C784			CK73GB1H102K	CHIP C 1000PF K	
C701			CC73GCH1H270J	CHIP C 27PF J		C786			CK73GB1H103K	CHIP C 0.010UF K	
C702			CC73GCH1H180J	CHIP C 18PF J		C788			CK73GB1H103K	CHIP C 0.010UF K	
C705			CK73GB1H102K	CHIP C 1000PF K		C789,790			CC73GCH1H101J	CHIP C 100PF J	
C706			CK73GB1H103K	CHIP C 0.010UF K		C791			CK73GB1H103K	CHIP C 0.010UF K	
C707			CK73GB1H102K	CHIP C 1000PF K		C792			CK73GB1H471K	CHIP C 470PF K	
C708,709			CK73GB1C473K	CHIP C 0.047UF K		C793			C92-0606-05	CHIP-TAN 4.7UF 10WV	
C712			CC73GCH1H020B	CHIP C 2.0PF B		C794			CK73GB1H472K	CHIP C 4700PF K	
C714			CK73GB1H103K	CHIP C 0.010UF K		C795			C92-0628-05	CHIP-TAN 10UF 10WV	
C715			CK73GB1C473K	CHIP C 0.047UF K		C796			CK73GB1C473K	CHIP C 0.047UF K	
C716			CK73GB1H103K	CHIP C 0.010UF K		C798			CK73GB1H471K	CHIP C 470PF K	
C717			C92-0628-05	CHIP-TAN 10UF 10WV		C799			C92-0502-05	CHIP-TAN 0.33UF 35WV	
C718			CK73GB1C473K	CHIP C 0.047UF K		C800			C92-0511-05	CHIP-TAN 0.15UF 35WV	
C720,721			C92-0628-05	CHIP-TAN 10UF 10WV		C802,803			CK73GB1C473K	CHIP C 0.047UF K	
C722,723			CC73GCH1H151J	CHIP C 150PF J		C804			CC73GCH1H101J	CHIP C 100PF J	
C724,725			CK73GB1C473K	CHIP C 0.047UF K		C806			CK73GB1C473K	CHIP C 0.047UF K	
C726			C92-1327-05	CHIP-TAN 100UF 10WV		C807			CC73GCH1H220J	CHIP C 22PF J	
C728			C92-0555-05	CHIP-TAN 0.047UF 35WV		C808			CK73GB1H102K	CHIP C 1000PF K	
C729			CK73GB1C473K	CHIP C 0.047UF K		C809			CK73GB1C473K	CHIP C 0.047UF K	
C731			CC73GCH1H820J	CHIP C 82PF J		C810			CK73GB1H471K	CHIP C 470PF K	
C733			CK73GB1H102K	CHIP C 1000PF K		C811			CC73GCH1H101J	CHIP C 100PF J	
C734			CC73GCH1H390J	CHIP C 39PF J		C813			CC73GCH1H220J	CHIP C 22PF J	
C736			C92-0628-05	CHIP-TAN 10UF 10WV		C814			CK73GB1H102K	CHIP C 1000PF K	
C737			CC73GCH1H820J	CHIP C 82PF J		C815			CK73GB1C473K	CHIP C 0.047UF K	
C739			C92-0543-05	CHIP-TAN 3.3UF 10WV		C817			CK73GB1H102K	CHIP C 1000PF K	
C740			CK73GB1H102K	CHIP C 1000PF K		C818			CC73GCH1H120J	CHIP C 12PF J	
C741			CC73GCH1H220J	CHIP C 22PF J		C819			CK73GB1H472K	CHIP C 4700PF K	
C742			CC73GCH1H240J	CHIP C 24PF J		C820			CK73GB1H102K	CHIP C 1000PF K	
C743			C92-0543-05	CHIP-TAN 3.3UF 10WV		C821,822			CC73GCH1H120J	CHIP C 12PF J	
C744			CK73GB1H103K	CHIP C 0.010UF K		C823			CC73GCH1H240J	CHIP C 24PF J	
C745			CC73GCH1H270J	CHIP C 27PF J		C824			CC73GCH1H180J	CHIP C 18PF J	
C746			CK73GB1H102K	CHIP C 1000PF K		C825			CK73GB1H103K	CHIP C 0.010UF K	
C747			C92-0628-05	CHIP-TAN 10UF 10WV		C826			CC73GCH1H240J	CHIP C 24PF J	
C748			CK73GB1H102K	CHIP C 1000PF K		C827,828			CK73GB1H102K	CHIP C 1000PF K	
C749			CK73GB1H471K	CHIP C 470PF K		C830			CK73GB1H102K	CHIP C 1000PF K	
C750			CK73GB1C473K	CHIP C 0.047UF K		C831			CK73GB1H471K	CHIP C 470PF K	
C751,752			C92-0543-05	CHIP-TAN 3.3UF 10WV		C832			CK73GB1H102K	CHIP C 1000PF K	
C753,754			CK73GB1H182K	CHIP C 1800PF K		C835			CC73GCH1H100D	CHIP C 10PF D	
C755			CC73GCH1H180J	CHIP C 18PF J		C836			CK73GB1H103K	CHIP C 0.010UF K	
C756			CC73GCH1H100D	CHIP C 10PF D		C839			CK73GB1C473K	CHIP C 0.047UF K	
C757			CK73GB1C473K	CHIP C 0.047UF K		C840-842			CK73GB1H103K	CHIP C 0.010UF K	
C758			CK73GB1H471K	CHIP C 470PF K		C844			C92-1327-05	CHIP-TAN 100UF 10WV	
C759			CK73GB1H472K	CHIP C 4700PF K		C849-854			C92-0628-05	CHIP-TAN 10UF 10WV	
C761			CC73GCH1H101J	CHIP C 100PF J		C857-859			CK73GB1H102K	CHIP C 1000PF K	
C762			CK73GB1H102K	CHIP C 1000PF K		C860			C92-0628-05	CHIP-TAN 10UF 10WV	
C763,764			CC73GCH1H180J	CHIP C 18PF J		C861,862			CK73GB1H102K	CHIP C 1000PF K	
C765,766			CC73GCH1H100D	CHIP C 10PF D		C863,864			CK73GB1H471K	CHIP C 470PF K	
C767			C92-0628-05	CHIP-TAN 10UF 10WV		C865			CK73GB1H102K	CHIP C 1000PF K	
C770			CK73GB1H103K	CHIP C 0.010UF K		C866,867			CK73GB1H103K	CHIP C 0.010UF K	
C771			C92-0628-05	CHIP-TAN 10UF 10WV		C868			C92-0628-05	CHIP-TAN 10UF 10WV	
C772			CC73GCH1H101J	CHIP C 100PF J		C869,870			CK73GB1H102K	CHIP C 1000PF K	
C773,774			CK73GB1H103K	CHIP C 0.010UF K		C871			CK73GB1H472K	CHIP C 4700PF K	
C775			CK73GB1H102K	CHIP C 1000PF K		C872,873			CK73GB1H102K	CHIP C 1000PF K	
C776			CK73GB1H471K	CHIP C 470PF K		C874			CK73GB1C473K	CHIP C 0.047UF K	
C777			C92-0555-05	CHIP-TAN 0.047UF 35WV		C875			CK73GB1H103K	CHIP C 0.010UF K	
C778			CK73GB1H102K	CHIP C 1000PF K		C876			CC73GCH1H151J	CHIP C 150PF J	
C780			CK73GB1H471K	CHIP C 470PF K		C877,878			CC73GCH1H070B	CHIP C 7.0PF B	

## PARTS LIST

TX-RX 2 UNIT (X57-606X-XX)

Ref. No.	Address	New parts	Parts No.	Description	Destination	Ref. No.	Address	New parts	Parts No.	Description	Destination
C879			CK73GB1H471K	CHIP C 470PF K		CN10			E40-3237-05	PIN ASSY	
C880			CC73GCH1H020B	CHIP C 2.0PF B		CN11			E04-0191-05	PIN SOCKET	
C881			CK73GB1H471K	CHIP C 470PF K		CN12			E40-5741-05	FLAT CABLE CONNECTOR	
C882			CC73GCH1H020B	CHIP C 2.0PF B		CN13			E04-0191-05	PIN SOCKET	
C883,884			CC73GCH1H150J	CHIP C 15PF J		CN14			E40-5978-05	FLAT CABLE CONNECTOR	
C885			CK73GB1H102K	CHIP C 1000PF K		CN15			E04-0154-05	PIN SOCKET	
C886,887			CC73GCH1H150J	CHIP C 15PF J		CN17			E40-5978-05	FLAT CABLE CONNECTOR	
C888,889			CC73GCH1H010B	CHIP C 1.0PF B		CN18			E04-0191-05	PIN SOCKET	
C890			CC73GCH1H270J	CHIP C 27PF J		CN19			E04-0154-05	PIN SOCKET	
C892,893			CC73GCH1H070B	CHIP C 7.0PF B		CN501			E40-5740-05	FLAT CABLE CONNECTOR	
C894,895			CC73GCH1H060B	CHIP C 6.0PF B		CN502-506			E04-0191-05	PIN SOCKET	
C896			CK73GB1H103K	CHIP C 0.010UF K		CN510			E40-5699-05	PIN ASSY	
C897			CC73GCH1H120J	CHIP C 12PF J		CN511,512			E40-6019-05	PIN ASSY	
C898			CK73GB1H471K	CHIP C 470PF K		CN513			E40-5699-05	PIN ASSY	
C899,900			CC73GCH1H330J	CHIP C 33PF J		CN514			E40-6019-05	PIN ASSY	
C901			CK73GB1H471K	CHIP C 470PF K		CN530			E40-3246-05	PIN ASSY	
C902			CC73GCH1H050B	CHIP C 5.0PF B		CN532			E40-5699-05	PIN ASSY	
C903			CK73GB1H471K	CHIP C 470PF K		CN533,534			E40-5758-05	FLAT CABLE CONNECTOR	
C904			CC73GCH1H050B	CHIP C 5.0PF B		CN535			E40-5699-05	PIN ASSY	
C905			CC73GCH1H070B	CHIP C 7.0PF B		J1			E11-0438-05	PHONE JACK (9P)	
C906			C92-0628-05	CHIP-TAN 10UF 10WV		J2			E11-0455-05	3.5D PHONE JACK (3P)	
C907,908			CC73GCH1H020B	CHIP C 2.0PF B		W1			E37-0885-15	LEAD WIRE WITH CONNECTOR	
C909,910			CK73GB1H102K	CHIP C 1000PF K		W501			E37-0956-05	LEAD WIRE WITH CONNECTOR	
C911			CC73GCH1H150J	CHIP C 15PF J		W503			E37-0955-05	LEAD WIRE WITH CONNECTOR	
C912			CK73GB1H471K	CHIP C 470PF K		-			F10-2345-04	SHIELDING CASE	
C913			CK73GB1H102K	CHIP C 1000PF K		-			F10-2346-04	SHIELDING CASE	
C914			CC73GCH1H150J	CHIP C 15PF J		-			F10-2347-04	SHIELDING CASE	
C915			CK73GB1H471K	CHIP C 470PF K		-			F10-2348-04	SHIELDING CASE	
C916,917			CC73GCH1H040B	CHIP C 4.0PF B		-			F10-2349-14	SHIELDING CASE	
C918			CC73GCH1H560J	CHIP C 56PF J		401	1B		F10-2351-04	SHIELDING COVER	
C919,920			CK73GB1H102K	CHIP C 1000PF K		-			F10-2388-14	SHIELDING CASE	
C923			CK73GB1H471K	CHIP C 470PF K		402	1B		F10-2389-04	SHIELDING COVER	
C924			CK73GB1H472K	CHIP C 4700PF K		-			F10-2390-04	SHIELDING CASE	
C925,926			CC73GCH1H050B	CHIP C 5.0PF B		-			F10-2391-04	SHIELDING CASE	
C927			CC73GCH1H020B	CHIP C 2.0PF B		-			G13-1789-04	CUSHION	
C928			CK73GB1H472K	CHIP C 4700PF K		-			G13-1790-04	CUSHION	
C929			CK73GB1H102K	CHIP C 1000PF K		CF1			L72-0984-05	CERAMIC FILTER (455KHZ)	
C930			CC73GCH1H050B	CHIP C 5.0PF B		CF2			L72-0986-05	CERAMIC FILTER (455KHZ)	E,EB,E2
C931			CK73GB1H472K	CHIP C 4700PF K		CF2			L72-0986-05	CERAMIC FILTER (455KHZ)	E2B,EX
C932			CC73GCH1H270J	CHIP C 27PF J		CF400			L72-0343-05	CERAMIC FILTER (8.4MHZ)	
C933			CK73GB1H102K	CHIP C 1000PF K		L1			L40-1095-34	SMALL FIXED INDUCTOR (1UH)	
C934,935			CK73GB1H471K	CHIP C 470PF K		L4,5			L92-0180-05	FERRITE CHIP	
C936			CC73GCH1H330J	CHIP C 33PF J		L6			L40-8275-92	SMALL FIXED INDUCTOR (82NH)	
C937			CC73GCH1H100D	CHIP C 10PF D		L7			L40-2785-92	SMALL FIXED INDUCTOR (270NH)	
TC1-6			C05-0369-05	CERAMIC TRIMMER CAP		L8,9			L39-1421-05	TOROIDAL COIL	
TC8-10			C05-0369-05	CERAMIC TRIMMER CAP		L10			L40-1575-92	SMALL FIXED INDUCTOR (15NH)	
TC12			C05-0370-05	CERAMIC TRIMMER CAP		L11			L40-1085-92	SMALL FIXED INDUCTOR (100NH)	
TC13			C05-0369-05	CERAMIC TRIMMER CAP		L12,13			L40-1875-92	SMALL FIXED INDUCTOR (18NH)	
TC14			C05-0370-05	CERAMIC TRIMMER CAP		L14,15			L40-4775-92	SMALL FIXED INDUCTOR (47NH)	
TC400,401			C05-0346-05	CERAMIC TRIMMER CAP (6PF)		L22			L40-1095-34	SMALL FIXED INDUCTOR (1UH)	
TC402			C05-0384-05	CERAMIC TRIMMER CAP (10PF)		L23			L34-4472-05	COIL	
TC403			C05-0356-05	CERAMIC TRIMMER CAP (20PF)		L27			L40-4775-34	SMALL FIXED INDUCTOR (47NH)	
TC404,405			C05-0384-05	CERAMIC TRIMMER CAP (10PF)		L28			L34-4472-05	COIL	
TC406			C05-0356-05	CERAMIC TRIMMER CAP (20PF)		L29			L79-1574-05	FILTER MODULE	E,EB,E2
TC408-410			C05-0384-05	CERAMIC TRIMMER CAP (10PF)		L29			L79-1574-05	FILTER MODULE	E2B,EX
CN1-4			E04-0191-05	PIN SOCKET		L29			L79-1575-05	FILTER MODULE	K,KB,KX
CN6			E04-0191-05	PIN SOCKET		L31			L40-1575-92	SMALL FIXED INDUCTOR (15NH)	
CN7			E40-3247-05	PIN ASSY		L32			L40-6875-34	SMALL FIXED INDUCTOR (68NH)	
CN8			E04-0191-05	PIN SOCKET		L34			L34-4472-05	COIL	
CN9			E40-3246-05	PIN ASSY							

K : TS-2000 (K)    KB : TS-B2000 (K)    KX : TS-2000X (K)    E : TS-2000 (E)  
 EB : TS-B2000 (E)    E2 : TS-2000 (E2)    E2B : TS-B2000 (E2)    EX : TS-2000X (E)

## PARTS LIST

### TX-RX 2 UNIT (X57-606X-XX)

Ref. No.	Address	New parts	Parts No.	Description	Destination	Ref. No.	Address	New parts	Parts No.	Description	Destination
L35			L40-6875-34	SMALL FIXED INDUCTOR (68NH)		L145			L40-1585-92	SMALL FIXED INDUCTOR (150NH)	
L39			L40-2275-92	SMALL FIXED INDUCTOR (22NH)		L146			L40-4775-92	SMALL FIXED INDUCTOR (47NH)	
L43			L40-8275-92	SMALL FIXED INDUCTOR (82NH)		L147			L40-5685-34	SMALL FIXED INDUCTOR (560NH)	
L44			L34-4472-05	COIL		L148			L40-1095-34	SMALL FIXED INDUCTOR (1UH)	
L45			L40-1875-92	SMALL FIXED INDUCTOR (18NH)		L149			L40-4775-34	SMALL FIXED INDUCTOR (47NH)	
L46			L40-1075-92	SMALL FIXED INDUCTOR (10NH)		L151			L40-1585-92	SMALL FIXED INDUCTOR (150NH)	
L47			L34-4472-05	COIL		L154			L40-1085-92	SMALL FIXED INDUCTOR (100NH)	
L48			L40-3375-34	SMALL FIXED INDUCTOR (33NH)		L155			L40-2785-34	SMALL FIXED INDUCTOR (270NH)	
L50			L79-1574-05	FILTER MODULE	E,EB,E2	L156			L40-3985-34	SMALL FIXED INDUCTOR (390NH)	
L50			L79-1574-05	FILTER MODULE	E2B,EX	L157			L40-6885-34	SMALL FIXED INDUCTOR (680NH)	
L50			L79-1575-05	FILTER MODULE	K,KB,KX	L158			L40-1575-34	SMALL FIXED INDUCTOR (15NH)	
L52			L34-4472-05	COIL		L159			L41-3391-04	SMALL FIXED INDUCTOR	
L55			L34-4472-05	COIL		L160			L40-1585-92	SMALL FIXED INDUCTOR (150NH)	
L59			L39-1421-05	TOROIDAL COIL		L161			L40-4775-92	SMALL FIXED INDUCTOR (47NH)	
L61-63			L39-1421-05	TOROIDAL COIL		L162			L40-6875-92	SMALL FIXED INDUCTOR (68NH)	
L64,65			L92-0138-05	FERRITE CHIP		L163,164			L34-4080-05	COIL	
L66-68			L39-1421-05	TOROIDAL COIL		L165			L40-2285-92	SMALL FIXED INDUCTOR (220NH)	
L69			L40-3381-37	SMALL FIXED INDUCTOR (0.330UH)		L166,167			L40-4785-34	SMALL FIXED INDUCTOR (470NH)	
L72			L40-3381-37	SMALL FIXED INDUCTOR (0.330UH)		L168			L40-1085-92	SMALL FIXED INDUCTOR (100NH)	
L73			L40-5675-92	SMALL FIXED INDUCTOR (56NH)		L169			L40-1085-34	SMALL FIXED INDUCTOR (100NH)	
L74			L40-3381-37	SMALL FIXED INDUCTOR (0.330UH)		L170			L40-1575-92	SMALL FIXED INDUCTOR (15NH)	
L75			L39-1421-05	TOROIDAL COIL		L171			L40-4791-37	SMALL FIXED INDUCTOR (4.700UH)	
L79			L40-5681-37	SMALL FIXED INDUCTOR (0.560UH)		L172			L40-5685-34	SMALL FIXED INDUCTOR (560NH)	
L80			L34-4205-05	COIL		L400,401			L41-2791-04	SMALL FIXED INDUCTOR	
L82			L34-4206-05	COIL		L402,403			L34-4572-05	AIR-CORE COIL	
L83			L40-4705-85	SMALL FIXED INDUCTOR (47U)		L404			L40-1085-92	SMALL FIXED INDUCTOR (100NH)	
L85			L40-4705-85	SMALL FIXED INDUCTOR (47U)		L405			L40-1075-92	SMALL FIXED INDUCTOR (10NH)	
L86			L34-4649-05	COIL		L406			L41-4791-04	SMALL FIXED INDUCTOR	
L89			L40-6885-34	SMALL FIXED INDUCTOR (680NH)		L407			L34-4573-05	AIR-CORE COIL	
L90			L34-4026-15	COIL		L408			L34-4572-05	AIR-CORE COIL	
L91			L34-4025-05	COIL		L409,410			L40-1015-85	SMALL FIXED INDUCTOR (100U)	
L93			L34-4459-05	COIL		L411			L40-2288-76	SMALL FIXED INDUCTOR (0.22UH)	
L95-97			L40-1085-92	SMALL FIXED INDUCTOR (100NH)		L412			L40-6888-76	SMALL FIXED INDUCTOR (0.68UH)	
L100			L41-3391-04	SMALL FIXED INDUCTOR		L413			L34-4636-05	COIL	
L101			L92-0180-05	FERRITE CHIP		L414			L40-2295-85	SMALL FIXED INDUCTOR (2.2U)	
L102			L41-3391-04	SMALL FIXED INDUCTOR		L415			L40-1875-54	SMALL FIXED INDUCTOR (18NH)	
L103-105			L40-5685-34	SMALL FIXED INDUCTOR (560NH)		L416			L40-1885-54	SMALL FIXED INDUCTOR (180NH)	
L106			L40-1875-34	SMALL FIXED INDUCTOR (18NH)		L417			L40-1575-92	SMALL FIXED INDUCTOR (15NH)	
L108,109			L34-4604-05	AIR-CORE COIL		L418			L40-1875-92	SMALL FIXED INDUCTOR (18NH)	
L110			L34-4605-05	AIR-CORE COIL		L419			L40-1005-85	SMALL FIXED INDUCTOR (10U)	
L111			L34-4603-05	AIR-CORE COIL		L420,421			L40-1075-34	SMALL FIXED INDUCTOR (10NH)	
L116			L34-4604-05	AIR-CORE COIL		L422			L34-4345-05	COIL	
L117			L34-4605-05	AIR-CORE COIL		L423			L40-6875-34	SMALL FIXED INDUCTOR (68NH)	
L118,119			L34-4604-05	AIR-CORE COIL		L424			L40-1005-85	SMALL FIXED INDUCTOR (10U)	
L121,122			L40-6865-92	SMALL FIXED INDUCTOR (6.8NH)		L425			L40-2295-85	SMALL FIXED INDUCTOR (2.2U)	
L123			L34-4605-05	AIR-CORE COIL		L426			L40-6875-34	SMALL FIXED INDUCTOR (68NH)	
L124			L40-4763-92	SMALL FIXED INDUCTOR (4.7NH)		L427			L34-4345-05	COIL	
L125			L40-1575-92	SMALL FIXED INDUCTOR (15NH)		L428			L40-1005-85	SMALL FIXED INDUCTOR (10U)	
L128			L34-4605-05	AIR-CORE COIL		L429			L40-4705-85	SMALL FIXED INDUCTOR (47U)	
L129			L34-4603-05	AIR-CORE COIL		L430			L40-6875-34	SMALL FIXED INDUCTOR (68NH)	
L130			L41-3391-04	SMALL FIXED INDUCTOR		L431			L40-2295-85	SMALL FIXED INDUCTOR (2.2U)	
L131			L40-5675-92	SMALL FIXED INDUCTOR (56NH)		L432			L40-1271-34	SMALL FIXED INDUCTOR (12NH)	
L132			L40-1875-34	SMALL FIXED INDUCTOR (18NH)		L433			L40-1005-85	SMALL FIXED INDUCTOR (10U)	
L133			L34-4605-05	AIR-CORE COIL		L434			L40-1085-34	SMALL FIXED INDUCTOR (100NH)	
L134			L40-1085-92	SMALL FIXED INDUCTOR (100NH)		L435			L40-1575-34	SMALL FIXED INDUCTOR (15NH)	
L137			L34-4603-05	AIR-CORE COIL		L436			L40-1585-34	SMALL FIXED INDUCTOR (150NH)	
L139			L40-4775-92	SMALL FIXED INDUCTOR (47NH)		L437			L40-2295-85	SMALL FIXED INDUCTOR (2.2U)	
L140			L40-8265-92	SMALL FIXED INDUCTOR (8.2NH)		L438			L40-1005-85	SMALL FIXED INDUCTOR (10U)	
L141			L34-4604-05	AIR-CORE COIL		L439			L40-1885-34	SMALL FIXED INDUCTOR (180NH)	
L142-144			L40-1085-92	SMALL FIXED INDUCTOR (100NH)		L440			L40-1005-85	SMALL FIXED INDUCTOR (10U)	

## PARTS LIST

TX-RX 2 UNIT (X57-606X-XX)

Ref. No.	Address	New parts	Parts No.	Description	Destination	Ref. No.	Address	New parts	Parts No.	Description	Destination
L441			L40-1595-34	SMALL FIXED INDUCTOR (1.5UH)		L512			L40-1015-85	SMALL FIXED INDUCTOR (100U)	
L442			L40-2785-34	SMALL FIXED INDUCTOR (270NH)		L513,514			L40-6875-92	SMALL FIXED INDUCTOR (68NH)	
L443			L40-1005-85	SMALL FIXED INDUCTOR (10U)		L515,516			L40-1005-85	SMALL FIXED INDUCTOR (10U)	
L444,445			L40-1295-85	SMALL FIXED INDUCTOR (1.2U)		L517,518			L40-1271-34	SMALL FIXED INDUCTOR (12NH)	
L446			L41-6891-04	SMALL FIXED INDUCTOR		L519			L40-1015-85	SMALL FIXED INDUCTOR (100U)	
L447			L40-1295-85	SMALL FIXED INDUCTOR (1.2U)		L520,521			L40-1575-34	SMALL FIXED INDUCTOR (15NH)	
L448,449			L40-1005-85	SMALL FIXED INDUCTOR (10U)		L522,523			L40-2775-34	SMALL FIXED INDUCTOR (27NH)	
L450			L34-4636-05	COIL		L524			L40-5675-34	SMALL FIXED INDUCTOR (56NH)	
L451			L40-1005-85	SMALL FIXED INDUCTOR (10U)		L525			L40-3375-34	SMALL FIXED INDUCTOR (33NH)	
L452			L41-1591-04	SMALL FIXED INDUCTOR		L526			L40-1875-34	SMALL FIXED INDUCTOR (18NH)	
L453			L40-3995-34	SMALL FIXED INDUCTOR (3.9UH)		L527			L40-3375-34	SMALL FIXED INDUCTOR (33NH)	
L454,455			L40-1005-85	SMALL FIXED INDUCTOR (10U)		L528-530			L40-1875-34	SMALL FIXED INDUCTOR (18NH)	
L456			L40-1595-34	SMALL FIXED INDUCTOR (1.5UH)		L531			L40-1095-34	SMALL FIXED INDUCTOR (1UH)	
L457,458			L40-3995-34	SMALL FIXED INDUCTOR (3.9UH)		L532			L40-6875-34	SMALL FIXED INDUCTOR (68NH)	
L459			L41-1001-04	SMALL FIXED INDUCTOR		L533,534			L40-1005-85	SMALL FIXED INDUCTOR (10U)	
L460			L40-1005-85	SMALL FIXED INDUCTOR (10U)		L535,536			L40-2785-34	SMALL FIXED INDUCTOR (270NH)	
L460,461			L40-1005-85	SMALL FIXED INDUCTOR (10U)		L537			L40-1075-92	SMALL FIXED INDUCTOR (10NH)	
L462			L40-4795-85	SMALL FIXED INDUCTOR (4.7U)		X1			L77-1828-05	CRYSTAL RESONATOR (58.07MHZ)	
L463			L40-2278-60	SMALL FIXED INDUCTOR (22NH)		X400			L77-1820-05	TCXD (15.600MHZ)	
L464			L40-4795-85	SMALL FIXED INDUCTOR (4.7U)		XF1			L71-0566-05	MCF (41.895MHZ)	
L465			L40-1095-34	SMALL FIXED INDUCTOR (1UH)		XF2		*	L71-0565-15	MCF (58.525MHZ)	
L466			L40-1005-34	SMALL FIXED INDUCTOR (10UH)		XF3			L71-0582-05	MCF (41.795MHZ/15K)	
L467			L40-3995-34	SMALL FIXED INDUCTOR (3.9UH)		S	1B		N87-2605-46	BRAZIER HEAD TAPTITE SCREW	
L468,469			L40-5695-85	SMALL FIXED INDUCTOR (5.6U)		R1			R92-1252-05	CHIP R 0 OHM J 1/16W	
L470			L40-1585-34	SMALL FIXED INDUCTOR (150NH)		R2,3			RK73GB1J102J	CHIP R 1.0K J 1/16W	
L471			L40-4795-85	SMALL FIXED INDUCTOR (4.7U)		R4,5			RK73GB1J222J	CHIP R 2.2K J 1/16W	
L472			L40-6878-60	SMALL FIXED INDUCTOR (68NH)		R6,7			RK73GB1J102J	CHIP R 1.0K J 1/16W	
L473			L40-1005-34	SMALL FIXED INDUCTOR (10UH)		R8,9			RK73GB1J222J	CHIP R 2.2K J 1/16W	
L474			L40-1595-34	SMALL FIXED INDUCTOR (1.5UH)		R10			RK73GB1J103J	CHIP R 10K J 1/16W	
L475			L40-5695-85	SMALL FIXED INDUCTOR (5.6U)		R11			RK73GB1J100J	CHIP R 10 J 1/16W	
L476			L41-6891-04	SMALL FIXED INDUCTOR		R12			RK73GB1J393J	CHIP R 39K J 1/16W	
L477			L40-2285-92	SMALL FIXED INDUCTOR (220NH)		R13,14			RK73GB1J103J	CHIP R 10K J 1/16W	
L478			L40-1005-34	SMALL FIXED INDUCTOR (10UH)		R15			RK73GB1J223J	CHIP R 22K J 1/16W	E,EB,E2
L479			L34-4636-05	COIL		R15			RK73GB1J223J	CHIP R 22K J 1/16W	E2B,EX
L480			L40-2285-92	SMALL FIXED INDUCTOR (220NH)		R15			RK73GB1J682J	CHIP R 6.8K J 1/16W	K,KB,KX
L481			L40-1271-34	SMALL FIXED INDUCTOR (12NH)		R16			RK73GB1J103J	CHIP R 10K J 1/16W	
L482			L40-2775-34	SMALL FIXED INDUCTOR (27NH)		R17			RK73GB1J274J	CHIP R 270K J 1/16W	
L483			L40-3995-34	SMALL FIXED INDUCTOR (3.9UH)		R18			RK73GB1J271J	CHIP R 270 J 1/16W	
L485,486			L40-1005-85	SMALL FIXED INDUCTOR (10U)		R19			RK73GB1J102J	CHIP R 1.0K J 1/16W	
L487			L40-1015-85	SMALL FIXED INDUCTOR (100U)		R20			RK73GB1J274J	CHIP R 270K J 1/16W	
L488			L40-1005-85	SMALL FIXED INDUCTOR (10U)		R21			RK73GB1J471J	CHIP R 470 J 1/16W	
L490			L40-1585-34	SMALL FIXED INDUCTOR (150NH)		R22			RK73GB1J470J	CHIP R 47 J 1/16W	
L492,493			L41-2291-04	SMALL FIXED INDUCTOR		R23			RK73GB1J222J	CHIP R 2.2K J 1/16W	
L494			L34-2360-05	COIL		R24			RK73GB1J331J	CHIP R 330 J 1/16W	
L495			L34-4356-05	COIL		R25			RK73GB1J101J	CHIP R 100 J 1/16W	
L496			L40-1005-85	SMALL FIXED INDUCTOR (10U)		R26			RK73GB1J471J	CHIP R 470 J 1/16W	
L497			L40-1095-34	SMALL FIXED INDUCTOR (1UH)		R27			RK73GB1J101J	CHIP R 100 J 1/16W	
L498			L40-1005-85	SMALL FIXED INDUCTOR (10U)		R28,29			RK73GB1J471J	CHIP R 470 J 1/16W	
L500			L40-2285-34	SMALL FIXED INDUCTOR (220NH)		R30			RK73GB1J472J	CHIP R 4.7K J 1/16W	E,EB,E2
L501			L40-1005-85	SMALL FIXED INDUCTOR (10U)		R30			RK73GB1J472J	CHIP R 4.7K J 1/16W	E2B,EX
L502			L40-1595-34	SMALL FIXED INDUCTOR (1.5UH)		R31			RK73GB1J471J	CHIP R 470 J 1/16W	
L503			L41-2291-04	SMALL FIXED INDUCTOR		R32			RK73GB1J561J	CHIP R 560 J 1/16W	
L504			L34-2358-05	COIL		R33			RK73GB1J3R3J	CHIP R 3.3 J 1/16W	
L505			L40-1595-34	SMALL FIXED INDUCTOR (1.5UH)		R34			RK73GB1J561J	CHIP R 560 J 1/16W	
L506			L40-3375-34	SMALL FIXED INDUCTOR (33NH)		R35,36			RK73GB1J102J	CHIP R 1.0K J 1/16W	
L507			L40-1005-85	SMALL FIXED INDUCTOR (10U)		R37			RK73GB1J222J	CHIP R 2.2K J 1/16W	
L508			L40-1015-85	SMALL FIXED INDUCTOR (100U)		R38			RK73GB1J332J	CHIP R 3.3K J 1/16W	
L509			L40-1005-85	SMALL FIXED INDUCTOR (10U)		R39			RK73GB1J102J	CHIP R 1.0K J 1/16W	
L510			L40-1015-85	SMALL FIXED INDUCTOR (100U)							
L511			L40-1005-85	SMALL FIXED INDUCTOR (10U)							

K : TS-2000 (K)    KB : TS-B2000 (K)    KX : TS-2000X (K)    E : TS-2000 (E)  
 EB : TS-B2000 (E)    E2 : TS-2000 (E2)    E2B : TS-B2000 (E2)    EX : TS-2000X (E)

## PARTS LIST

### TX-RX 2 UNIT (X57-606X-XX)

Ref. No.	Address	New parts	Parts No.	Description	Destination	Ref. No.	Address	New parts	Parts No.	Description	Destination
R40			RK73GB1J222J	CHIP R 2.2K J 1/16W		R114			RK73GB1J272J	CHIP R 2.7K J 1/16W	
R41			RK73FB2A221J	CHIP R 220 J 1/10W		R115			RK73GB1J104J	CHIP R 100K J 1/16W	
R42			RK73GB1J103J	CHIP R 10K J 1/16W		R116,117			R92-1252-05	CHIP R 0 OHM J 1/16W	
R43			RK73GB1J331J	CHIP R 330 J 1/16W		R118			RK73GB1J272J	CHIP R 2.7K J 1/16W	
R44			RK73GB1J101J	CHIP R 100 J 1/16W		R119			R92-1252-05	CHIP R 0 OHM J 1/16W	
R45,46			RK73GB1J102J	CHIP R 1.0K J 1/16W		R120,121			RK73GB1J104J	CHIP R 100K J 1/16W	
R47			RK73GB1J181J	CHIP R 180 J 1/16W		R124			RK73GB1J102J	CHIP R 1.0K J 1/16W	
R48-50			RK73GB1J101J	CHIP R 100 J 1/16W		R125			RK73GB1J104J	CHIP R 100K J 1/16W	
R51			RK73GB1J472J	CHIP R 4.7K J 1/16W		R126-128			RK73GB1J102J	CHIP R 1.0K J 1/16W	
R52			RK73GB1J272J	CHIP R 2.7K J 1/16W		R130			RK73GB1J561J	CHIP R 560 J 1/16W	
R53			RK73GB1J332J	CHIP R 3.3K J 1/16W		R131			RK73GB1J102J	CHIP R 1.0K J 1/16W	
R54			RK73GB1J272J	CHIP R 2.7K J 1/16W		R132			RK73GB1J3R3J	CHIP R 3.3 J 1/16W	
R55-59			RK73GB1J102J	CHIP R 1.0K J 1/16W		R133			RK73GB1J102J	CHIP R 1.0K J 1/16W	
R60			RK73GB1J104J	CHIP R 100K J 1/16W		R135,136			RK73GB1J104J	CHIP R 100K J 1/16W	
R61,62			RK73GB1J222J	CHIP R 2.2K J 1/16W		R137			RK73GB1J821J	CHIP R 820 J 1/16W	
R63			RK73GB1J471J	CHIP R 470 J 1/16W		R139			RK73GB1J104J	CHIP R 100K J 1/16W	
R64			RK73GB1J104J	CHIP R 100K J 1/16W		R140			RK73GB1J331J	CHIP R 330 J 1/16W	
R66			RK73GB1J101J	CHIP R 100 J 1/16W		R141			RK73GB1J102J	CHIP R 1.0K J 1/16W	
R67-70			RK73GB1J104J	CHIP R 100K J 1/16W		R142,143			RK73GB1J101J	CHIP R 100 J 1/16W	
R71			RK73GB1J472J	CHIP R 4.7K J 1/16W		R146,147			RK73GB1J222J	CHIP R 2.2K J 1/16W	
R72			RK73GB1J272J	CHIP R 2.7K J 1/16W		R149			RK73GB1J331J	CHIP R 330 J 1/16W	
R73			RK73FB2A470J	CHIP R 47 J 1/10W		R150,151			RK73GB1J561J	CHIP R 560 J 1/16W	
R74			RK73GB1J222J	CHIP R 2.2K J 1/16W		R152			RK73GB1J102J	CHIP R 1.0K J 1/16W	
R75			RK73FB2A220J	CHIP R 22 J 1/10W		R153			RK73GB1J180J	CHIP R 18 J 1/16W	
R76			RK73GB1J472J	CHIP R 4.7K J 1/16W		R154			RK73GB1J3R3J	CHIP R 3.3 J 1/16W	
R77			RK73GB1J272J	CHIP R 2.7K J 1/16W		R155			RK73GB1J390J	CHIP R 39 J 1/16W	
R79			RK73GB1J181J	CHIP R 180 J 1/16W		R156			RK73GB1J561J	CHIP R 560 J 1/16W	
R80			RK73FB2A470J	CHIP R 47 J 1/10W		R157			RK73GB1J331J	CHIP R 330 J 1/16W	
R81			RK73GB1J152J	CHIP R 1.5K J 1/16W		R158			RK73GB1J102J	CHIP R 1.0K J 1/16W	
R82			RK73GB1J103J	CHIP R 10K J 1/16W		R159			RK73GB1J390J	CHIP R 39 J 1/16W	
R83			RK73FB2A220J	CHIP R 22 J 1/10W		R160-163			RK73GB1J102J	CHIP R 1.0K J 1/16W	
R84			RK73GB1J823J	CHIP R 82K J 1/16W		R164			RK73GB1J470J	CHIP R 47 J 1/16W	
R85			RK73GB1J333J	CHIP R 33K J 1/16W		R165			RK73GB1J332J	CHIP R 3.3K J 1/16W	
R86			RK73GB1J473J	CHIP R 47K J 1/16W		R166			R92-1252-05	CHIP R 0 OHM J 1/16W	
R87			RK73GB1J103J	CHIP R 10K J 1/16W		R167			RK73GB1J681J	CHIP R 680 J 1/16W	
R88			RK73GB1J472J	CHIP R 4.7K J 1/16W		R168			RK73GB1J330J	CHIP R 33 J 1/16W	
R89			RK73GB1J272J	CHIP R 2.7K J 1/16W		R169			RK73GB1J181J	CHIP R 180 J 1/16W	
R90			RK73FB2A470J	CHIP R 47 J 1/10W		R170			RK73GB1J472J	CHIP R 4.7K J 1/16W	
R91			RK73GB1J222J	CHIP R 2.2K J 1/16W		R171			RK73GB1J272J	CHIP R 2.7K J 1/16W	
R92			RK73GB1J104J	CHIP R 100K J 1/16W		R172			RK73GB1J101J	CHIP R 100 J 1/16W	
R93			RK73GB1J102J	CHIP R 1.0K J 1/16W		R173			RK73GB1J121J	CHIP R 120 J 1/16W	
R94			RK73GB1J471J	CHIP R 470 J 1/16W		R174			RK73GB1J270J	CHIP R 27 J 1/16W	
R95			RK73GB1J472J	CHIP R 4.7K J 1/16W		R175			RK73GB1J330J	CHIP R 33 J 1/16W	
R96			RK73GB1J272J	CHIP R 2.7K J 1/16W		R176			RK73GB1J562J	CHIP R 5.6K J 1/16W	
R97			RK73GB1J120J	CHIP R 12 J 1/16W	E,EB,E2	R177			RK73GB1J182J	CHIP R 1.8K J 1/16W	
R97			RK73GB1J120J	CHIP R 12 J 1/16W	E2B,EX	R178			RK73GB1J472J	CHIP R 4.7K J 1/16W	
R97			RK73GB1J150J	CHIP R 15 J 1/16W	K,KB,KX	R179			RK73GB1J272J	CHIP R 2.7K J 1/16W	
R98			RK73GB1J103J	CHIP R 10K J 1/16W		R180			RK73GB1J562J	CHIP R 5.6K J 1/16W	
R99			RK73GB1J222J	CHIP R 2.2K J 1/16W		R181			RK73GB1J182J	CHIP R 1.8K J 1/16W	
R100			RK73GB1J104J	CHIP R 100K J 1/16W		R185			RK73GB1J102J	CHIP R 1.0K J 1/16W	
R101			RK73FB2A470J	CHIP R 47 J 1/10W		R187			RK73GB1J393J	CHIP R 39K J 1/16W	
R102			RK73GB1J222J	CHIP R 2.2K J 1/16W		R188			RK73GB1J104J	CHIP R 100K J 1/16W	
R103			RK73FB2A220J	CHIP R 22 J 1/10W		R189			RK73GB1J273J	CHIP R 27K J 1/16W	
R104,105			RK73GB1J101J	CHIP R 100 J 1/16W		R190			RK73GB1J180J	CHIP R 18 J 1/16W	
R106			RK73FB2A470J	CHIP R 47 J 1/10W		R191			RK73GB1J273J	CHIP R 27K J 1/16W	
R107			RK73GB1J222J	CHIP R 2.2K J 1/16W		R192			R92-1252-05	CHIP R 0 OHM J 1/16W	
R108			RK73FB2A470J	CHIP R 47 J 1/10W		R194			RK73GB1J471J	CHIP R 470 J 1/16W	
R109			RK73GB1J181J	CHIP R 180 J 1/16W		R195			RK73GB1J823J	CHIP R 82K J 1/16W	
R110,111			RK73GB1J104J	CHIP R 100K J 1/16W		R196			RK73GB1J103J	CHIP R 10K J 1/16W	
R112,113			RK73GB1J472J	CHIP R 4.7K J 1/16W		R197-199			RK73GB1J101J	CHIP R 100 J 1/16W	

## PARTS LIST

TX-RX 2 UNIT (X57-606X-XX)

Ref. No.	Address	New parts	Parts No.	Description	Desti-nation	Ref. No.	Address	New parts	Parts No.	Description	Desti-nation
R200			RK73GB1J182J	CHIP R 1.8K J 1/16W		R280			RK73GB1J270J	CHIP R 27 J 1/16W	
R201			RK73GB1J273J	CHIP R 27K J 1/16W		R286			R92-1252-05	CHIP R 0 OHM J 1/16W	
R202			RK73GB1J471J	CHIP R 470 J 1/16W		R287			RK73GB1J563J	CHIP R 56K J 1/16W	
R203			RK73GB1J102J	CHIP R 1.0K J 1/16W		R288			RK73GB1J102J	CHIP R 1.0K J 1/16W	
R204			RK73GB1J184J	CHIP R 180K J 1/16W		R289			RK73GB1J103J	CHIP R 10K J 1/16W	
R205			RK73GB1J102J	CHIP R 1.0K J 1/16W		R291			RK73GB1J471J	CHIP R 470 J 1/16W	
R206			RK73GB1J154J	CHIP R 150K J 1/16W		R295			RK73GB1J102J	CHIP R 1.0K J 1/16W	
R207			R92-1252-05	CHIP R 0 OHM J 1/16W		R296			RK73GB1J471J	CHIP R 470 J 1/16W	
R208			RK73GB1J332J	CHIP R 3.3K J 1/16W		R297,298			RK73GB1J102J	CHIP R 1.0K J 1/16W	
R209			R92-1252-05	CHIP R 0 OHM J 1/16W		R300,301			RK73GB1J560J	CHIP R 56 J 1/16W	
R210			RK73GB1J102J	CHIP R 1.0K J 1/16W		R303			RK73GB1J151J	CHIP R 150 J 1/16W	
R211			RK73GB1J153J	CHIP R 15K J 1/16W	E,EB,E2	R304,305			R92-1252-05	CHIP R 0 OHM J 1/16W	K,KB,KX
R211			RK73GB1J153J	CHIP R 15K J 1/16W	E2B,EX	R306			RK73GB1J182J	CHIP R 1.8K J 1/16W	
R212			RK73GB1J563J	CHIP R 56K J 1/16W		R307,308			RK73GB1J103J	CHIP R 10K J 1/16W	
R213,214			RK73GB1J222J	CHIP R 2.2K J 1/16W		R309			RK73GB1J182J	CHIP R 1.8K J 1/16W	
R215			RK73GB1J101J	CHIP R 100 J 1/16W		R310			RK73GB1J472J	CHIP R 4.7K J 1/16W	
R216			RK73GB1J333J	CHIP R 33K J 1/16W		R311,312			R92-1252-05	CHIP R 0 OHM J 1/16W	
R217			RK73GB1J103J	CHIP R 10K J 1/16W		R313			RK73GB1J103J	CHIP R 10K J 1/16W	
R218			RK73GB1J102J	CHIP R 1.0K J 1/16W		R314,315			RK73GB1J472J	CHIP R 4.7K J 1/16W	
R219			RK73GB1J101J	CHIP R 100 J 1/16W		R316			RK73GB1J103J	CHIP R 10K J 1/16W	
R220,221			RK73GB1J223J	CHIP R 22K J 1/16W	E,EB,E2	R317			RK73GB1J471J	CHIP R 470 J 1/16W	
R220,221			RK73GB1J223J	CHIP R 22K J 1/16W	E2B,EX	R319,320			RK73GB1J331J	CHIP R 330 J 1/16W	
R222			RK73GB1J682J	CHIP R 6.8K J 1/16W		R321			RK73GB1J820J	CHIP R 82 J 1/16W	
R223			RK73GB1J100J	CHIP R 10 J 1/16W		R322			RK73GB1J102J	CHIP R 1.0K J 1/16W	
R224			RK73GB1J221J	CHIP R 220 J 1/16W		R323			RK73GB1J331J	CHIP R 330 J 1/16W	
R225,226			RK73GB1J223J	CHIP R 22K J 1/16W	E,EB,E2	R325-327			RK73GB1J101J	CHIP R 100 J 1/16W	
R225,226			RK73GB1J223J	CHIP R 22K J 1/16W	E2B,EX	R328			RK73GB1J102J	CHIP R 1.0K J 1/16W	
R229			RK73GB1J822J	CHIP R 8.2K J 1/16W		R329			RK73GB1J682J	CHIP R 6.8K J 1/16W	
R230			R92-1252-05	CHIP R 0 OHM J 1/16W		R333			RK73GB1J153J	CHIP R 15K J 1/16W	
R231			RK73GB1J331J	CHIP R 330 J 1/16W		R335			RK73GB1J102J	CHIP R 1.0K J 1/16W	
R232			RK73GB1J221J	CHIP R 220 J 1/16W		R336			RK73GB1J470J	CHIP R 47 J 1/16W	
R233			RK73GB1J223J	CHIP R 22K J 1/16W		R337			RK73GB1J330J	CHIP R 33 J 1/16W	
R235			RK73GB1J473J	CHIP R 47K J 1/16W		R338			RK73GB1J152J	CHIP R 1.5K J 1/16W	
R236			RK73GB1J153J	CHIP R 15K J 1/16W	E,EB,E2	R340			R92-1252-05	CHIP R 0 OHM J 1/16W	
R236			RK73GB1J153J	CHIP R 15K J 1/16W	E2B,EX	R342			RK73GB1J104J	CHIP R 100K J 1/16W	
R237,238			RK73GB1J331J	CHIP R 330 J 1/16W		R343,344			RK73GB1J331J	CHIP R 330 J 1/16W	
R240,241			RK73GB1J330J	CHIP R 33 J 1/16W		R345			RK73GB1J682J	CHIP R 6.8K J 1/16W	
R242			RK73GB1J222J	CHIP R 2.2K J 1/16W		R346,347			RK73GB1J103J	CHIP R 10K J 1/16W	
R245			RK73GB1J183J	CHIP R 18K J 1/16W		R348			RK73GB1J182J	CHIP R 1.8K J 1/16W	
R246,247			RK73GB1J680J	CHIP R 68 J 1/16W		R349			R92-1252-05	CHIP R 0 OHM J 1/16W	E,EB,E2
R248			RK73GB1J103J	CHIP R 10K J 1/16W		R349			R92-1252-05	CHIP R 0 OHM J 1/16W	E2B,EX
R250			RK73GB1J271J	CHIP R 270 J 1/16W		R349,350			R92-1252-05	CHIP R 0 OHM J 1/16W	K,KB,KX
R254			RK73GB1J100J	CHIP R 10 J 1/16W		R350			RK73GB1J100J	CHIP R 10 J 1/16W	E,EB,E2
R255			RK73GB1J472J	CHIP R 4.7K J 1/16W		R350			RK73GB1J100J	CHIP R 10 J 1/16W	E2B,EX
R256			RK73GB1J180J	CHIP R 18 J 1/16W		R351			RK73GB1J823J	CHIP R 82K J 1/16W	
R257			RK73GB1J103J	CHIP R 10K J 1/16W		R352			RK73GB1J104J	CHIP R 100K J 1/16W	
R258			RK73GB1J180J	CHIP R 18 J 1/16W		R353			RK73GB1J103J	CHIP R 10K J 1/16W	
R259,260			RK73GB1J222J	CHIP R 2.2K J 1/16W		R354			R92-1252-05	CHIP R 0 OHM J 1/16W	
R262			RK73GB1J332J	CHIP R 3.3K J 1/16W		R355			RK73GB1J472J	CHIP R 4.7K J 1/16W	
R263			RK73GB1J180J	CHIP R 18 J 1/16W		R356			RK73GB1J103J	CHIP R 10K J 1/16W	
R265			RK73GB1J221J	CHIP R 220 J 1/16W		R357			RK73GB1J470J	CHIP R 47 J 1/16W	
R266			RK73GB1J223J	CHIP R 22K J 1/16W		R358			R92-1252-05	CHIP R 0 OHM J 1/16W	
R267			RK73GB1J822J	CHIP R 8.2K J 1/16W		R359			RK73GB1J223J	CHIP R 22K J 1/16W	
R268			RK73GB1J274J	CHIP R 270K J 1/16W		R360			RK73GB1J474J	CHIP R 470K J 1/16W	
R269			RK73GB1J564J	CHIP R 560K J 1/16W		R361			RK73GB1J272J	CHIP R 2.7K J 1/16W	
R271			RK73GB1J223J	CHIP R 22K J 1/16W		R362			R92-1252-05	CHIP R 0 OHM J 1/16W	
R272			RK73GB1J104J	CHIP R 100K J 1/16W		R363			RK73GB1J153J	CHIP R 15K J 1/16W	
R276			RK73GB1J101J	CHIP R 100 J 1/16W		R364			RK73GB1J103J	CHIP R 10K J 1/16W	
R277			RK73GB1J183J	CHIP R 18K J 1/16W		R365			R92-1252-05	CHIP R 0 OHM J 1/16W	
R278			RK73GB1J122J	CHIP R 1.2K J 1/16W		R366			RK73GB1J221J	CHIP R 220 J 1/16W	

K : TS-2000 (K)    KB : TS-B2000 (K)    KX : TS-2000X (K)    E : TS-2000 (E)  
 EB : TS-B2000 (E)    E2 : TS-2000 (E2)    E2B : TS-B2000 (E2)    EX : TS-2000X (E)

## PARTS LIST

### TX-RX 2 UNIT (X57-606X-XX)

Ref. No.	Address	New parts	Parts No.	Description	Destination	Ref. No.	Address	New parts	Parts No.	Description	Destination
R368			RK73GB1J221J	CHIP R 220 J 1/16W		R459			RK73GB1J682J	CHIP R 6.8K J 1/16W	
R369			RK73GB1J273J	CHIP R 27K J 1/16W		R460			RK73GB1J220J	CHIP R 22 J 1/16W	
R370			RK73GB1J471J	CHIP R 470 J 1/16W		R461			RK73GB1J181J	CHIP R 180 J 1/16W	
R371			RK73GB1J822J	CHIP R 8.2K J 1/16W		R462			RK73GB1J470J	CHIP R 47 J 1/16W	
R372			RK73GB1J153J	CHIP R 15K J 1/16W		R463			RK73GB1J181J	CHIP R 180 J 1/16W	
R373			RK73GB1J391J	CHIP R 390 J 1/16W		R464,465			RK73GB1J101J	CHIP R 100 J 1/16W	
R374-376			RK73GB1J101J	CHIP R 100 J 1/16W		R466			RK73GB1J470J	CHIP R 47 J 1/16W	
R377			RK73GB1J560J	CHIP R 56 J 1/16W		R467			RK73GB1J181J	CHIP R 180 J 1/16W	
R378			RK73GB1J224J	CHIP R 220K J 1/16W		R468			RK73GB1J470J	CHIP R 47 J 1/16W	
R379			RK73GB1J474J	CHIP R 470K J 1/16W		R469			RK73GB1J391J	CHIP R 390 J 1/16W	
R380			RK73GB1J684J	CHIP R 680K J 1/16W		R470			RK73GB1J120J	CHIP R 12 J 1/16W	
R381			RK73GB1J104J	CHIP R 100K J 1/16W		R471			R92-1252-05	CHIP R 0 OHM J 1/16W	
R382			RK73GB1J474J	CHIP R 470K J 1/16W		R472			RK73GB1J470J	CHIP R 47 J 1/16W	
R383			RK73GB1J391J	CHIP R 390 J 1/16W		R473			RK73GB1J821J	CHIP R 820 J 1/16W	
R384			R92-1252-05	CHIP R 0 OHM J 1/16W		R474			RK73GB1J391J	CHIP R 390 J 1/16W	
R385-387			R92-0679-05	CHIP R 0 OHM		R475			RK73GB1J181J	CHIP R 180 J 1/16W	
R388,389			R92-0670-05	CHIP R 0 OHM		R476			R92-1252-05	CHIP R 0 OHM J 1/16W	
R390			RK73GB1J102J	CHIP R 1.0K J 1/16W		R477			RK73GB1J153J	CHIP R 15K J 1/16W	
R391			R92-0679-05	CHIP R 0 OHM		R478			RK73GB1J682J	CHIP R 6.8K J 1/16W	
R392			RK73GB1J273J	CHIP R 27K J 1/16W		R479			RK73GB1J681J	CHIP R 680 J 1/16W	
R393			R92-1252-05	CHIP R 0 OHM J 1/16W		R480			RK73GB1J101J	CHIP R 100 J 1/16W	
R394			R92-0679-05	CHIP R 0 OHM		R481-483			R92-1252-05	CHIP R 0 OHM J 1/16W	
R395			R92-0670-05	CHIP R 0 OHM		R484			RK73GB1J470J	CHIP R 47 J 1/16W	
R396-398			R92-1252-05	CHIP R 0 OHM J 1/16W		R485,486			R92-1252-05	CHIP R 0 OHM J 1/16W	
R399			RK73FB2A100J	CHIP R 10 J 1/10W	E,EB,E2	R487			RK73GB1J151J	CHIP R 150 J 1/16W	
R399			RK73FB2A100J	CHIP R 10 J 1/10W	E2B,EX	R488			RK73GB1J153J	CHIP R 15K J 1/16W	
R399			RK73FB2A6R8J	CHIP R 6.8 J 1/10W	K,KB,KX	R489			RK73GB1J682J	CHIP R 6.8K J 1/16W	
R400-411			RK73GB1J101J	CHIP R 100 J 1/16W		R490			R92-1252-05	CHIP R 0 OHM J 1/16W	
R412-417			R92-1252-05	CHIP R 0 OHM J 1/16W		R491			RK73GB1J390J	CHIP R 39 J 1/16W	
R418			RK73GB1J101J	CHIP R 100 J 1/16W		R492			R92-1252-05	CHIP R 0 OHM J 1/16W	
R419			RK73GB1J102J	CHIP R 1.0K J 1/16W		R493			RK73GB1J151J	CHIP R 150 J 1/16W	
R420			RK73GB1J470J	CHIP R 47 J 1/16W		R494			RK73GB1J271J	CHIP R 270 J 1/16W	
R421			RK73GB1J102J	CHIP R 1.0K J 1/16W		R495			RK73GB1J103J	CHIP R 10K J 1/16W	
R422			RK73GB1J222J	CHIP R 2.2K J 1/16W		R496			RK73GB1J472J	CHIP R 4.7K J 1/16W	
R423			R92-1252-05	CHIP R 0 OHM J 1/16W		R497			RK73GB1J101J	CHIP R 100 J 1/16W	
R424			RK73GB1J101J	CHIP R 100 J 1/16W		R498			RK73GB1J822J	CHIP R 8.2K J 1/16W	
R427			RK73GB1J101J	CHIP R 100 J 1/16W		R499			RK73GB1J153J	CHIP R 15K J 1/16W	
R428-431			RK73GB1J123J	CHIP R 12K J 1/16W		R500			RK73GB1J472J	CHIP R 4.7K J 1/16W	
R432			R92-1252-05	CHIP R 0 OHM J 1/16W		R501			RK73GB1J153J	CHIP R 15K J 1/16W	
R433,434			RK73GB1J473J	CHIP R 47K J 1/16W		R502			RK73GB1J682J	CHIP R 6.8K J 1/16W	
R435			RK73GB1J474J	CHIP R 470K J 1/16W		R503			RK73GB1J181J	CHIP R 180 J 1/16W	
R436			RK73GB1J103J	CHIP R 10K J 1/16W		R504			RK73GB1J470J	CHIP R 47 J 1/16W	
R437			RK73GB1J332J	CHIP R 3.3K J 1/16W		R505			RK73GB1J391J	CHIP R 390 J 1/16W	
R438			RK73GB1J102J	CHIP R 1.0K J 1/16W		R506			RK73GB1J821J	CHIP R 820 J 1/16W	
R439,440			RK73GB1J220J	CHIP R 22 J 1/16W		R507			RK73GB1J121J	CHIP R 120 J 1/16W	
R441			RK73GB1J181J	CHIP R 180 J 1/16W		R508			RK73GB1J820J	CHIP R 82 J 1/16W	
R442			RK73GB1J102J	CHIP R 1.0K J 1/16W		R509			RK73GB1J5R6J	CHIP R 5.6 J 1/16W	
R443,444			RK73GB1J101J	CHIP R 100 J 1/16W		R510			RK73GB1J101J	CHIP R 100 J 1/16W	
R445			RK73GB1J682J	CHIP R 6.8K J 1/16W		R511			RK73GB1J821J	CHIP R 820 J 1/16W	
R447,448			RK73GB1J101J	CHIP R 100 J 1/16W		R512			RK73GB1J470J	CHIP R 47 J 1/16W	
R449			RK73GB1J103J	CHIP R 10K J 1/16W		R513			RK73GB1J820J	CHIP R 82 J 1/16W	
R450			RK73GB1J224J	CHIP R 220K J 1/16W		R514,515			R92-1252-05	CHIP R 0 OHM J 1/16W	
R451			RK73GB1J391J	CHIP R 390 J 1/16W		R516			RK73GB1J101J	CHIP R 100 J 1/16W	
R452			R92-1252-05	CHIP R 0 OHM J 1/16W		R517-519			RK73GB1J470J	CHIP R 47 J 1/16W	
R453			RK73GB1J153J	CHIP R 15K J 1/16W		R520,521			RK73GB1J823J	CHIP R 82K J 1/16W	
R454			RK73GB1J682J	CHIP R 6.8K J 1/16W		R522,523			RK73GB1J561J	CHIP R 560 J 1/16W	
R455			RK73GB1J153J	CHIP R 15K J 1/16W		R524			RK73GB1J823J	CHIP R 82K J 1/16W	
R456			RK73GB1J682J	CHIP R 6.8K J 1/16W		R525,526			RK73GB1J392J	CHIP R 3.9K J 1/16W	
R457			RK73GB1J470J	CHIP R 47 J 1/16W		R527			RK73GB1J561J	CHIP R 560 J 1/16W	
R458			RK73GB1J153J	CHIP R 15K J 1/16W		R528			RK73GB1J682J	CHIP R 6.8K J 1/16W	



## PARTS LIST

TX-RX 2 UNIT (X57-606X-XX)

Ref. No.	Address	New parts	Parts No.	Description	Destination	Ref. No.	Address	New parts	Parts No.	Description	Destination
R529,530			RK73GB1J101J	CHIP R 100 J 1/16W		R602			RK73GB1J151J	CHIP R 150 J 1/16W	
R531			RK73GB1J392J	CHIP R 3.9K J 1/16W		R603			RK73GB1J390J	CHIP R 39 J 1/16W	
R532			RK73GB1J470J	CHIP R 47 J 1/16W		R604-606			RK73GB1J101J	CHIP R 100 J 1/16W	
R533			RK73GB1J151J	CHIP R 150 J 1/16W		R604,605			RK73GB1J101J	CHIP R 100 J 1/16W	
R534			RK73GB1J682J	CHIP R 6.8K J 1/16W		R607			RK73GB1J182J	CHIP R 1.8K J 1/16W	
R535			RK73GB1J470J	CHIP R 47 J 1/16W		R608			RK73GB1J151J	CHIP R 150 J 1/16W	
R536			RK73GB1J153J	CHIP R 15K J 1/16W		R609			RK73GB1J101J	CHIP R 100 J 1/16W	
R537,538			RK73GB1J331J	CHIP R 330 J 1/16W		R610			RK73GB1J182J	CHIP R 1.8K J 1/16W	
R539			RK73GB1J271J	CHIP R 270 J 1/16W		R611			RK73GB1J222J	CHIP R 2.2K J 1/16W	
R540			RK73GB1J470J	CHIP R 47 J 1/16W		R612			R92-1252-05	CHIP R 0 OHM J 1/16W	
R541			RK73GB1J101J	CHIP R 100 J 1/16W		R613			RK73GB1J150J	CHIP R 15 J 1/16W	
R542			RK73GB1J822J	CHIP R 8.2K J 1/16W		R614			RK73GB1J222J	CHIP R 2.2K J 1/16W	
R543			RK73GB1J153J	CHIP R 15K J 1/16W		R615			R92-1252-05	CHIP R 0 OHM J 1/16W	
R544			RK73GB1J101J	CHIP R 100 J 1/16W		R616			RK73GB1J151J	CHIP R 150 J 1/16W	
R545			RK73GB1J822J	CHIP R 8.2K J 1/16W		R617			RK73GB1J472J	CHIP R 4.7K J 1/16W	
R546			RK73GB1J153J	CHIP R 15K J 1/16W		R618			RK73GB1J390J	CHIP R 39 J 1/16W	
R547,548			RK73GB1J391J	CHIP R 390 J 1/16W		R619,620			RK73GB1J101J	CHIP R 100 J 1/16W	
R549			RK73GB1J331J	CHIP R 330 J 1/16W		R621			RK73GB1J150J	CHIP R 15 J 1/16W	
R550			RK73GB1J221J	CHIP R 220 J 1/16W		R622			RK73GB1J101J	CHIP R 100 J 1/16W	
R551			RK73GB1J331J	CHIP R 330 J 1/16W		R623,624			RK73GB1J151J	CHIP R 150 J 1/16W	
R552			RK73GB1J221J	CHIP R 220 J 1/16W		R625			R92-1252-05	CHIP R 0 OHM J 1/16W	
R553			RK73GB1J331J	CHIP R 330 J 1/16W		R626			RK73GB1J474J	CHIP R 470K J 1/16W	
R554			RK73GB1J101J	CHIP R 100 J 1/16W		R627			RK73GB1J150J	CHIP R 15 J 1/16W	
R555			RK73GB1J822J	CHIP R 8.2K J 1/16W		R628			R92-1252-05	CHIP R 0 OHM J 1/16W	
R556			RK73GB1J153J	CHIP R 15K J 1/16W		R629			RK73GB1J474J	CHIP R 470K J 1/16W	
R557			RK73GB1J101J	CHIP R 100 J 1/16W		R630			RK73GB1J390J	CHIP R 39 J 1/16W	
R558			RK73GB1J181J	CHIP R 180 J 1/16W		R631			RK73GB1J102J	CHIP R 1.0K J 1/16W	
R559			RK73GB1J391J	CHIP R 390 J 1/16W		R632			RK73GB1J151J	CHIP R 150 J 1/16W	
R560			RK73GB1J153J	CHIP R 15K J 1/16W		R633,634			RK73GB1J150J	CHIP R 15 J 1/16W	
R561			RK73GB1J682J	CHIP R 6.8K J 1/16W		R635			RK73GB1J681J	CHIP R 680 J 1/16W	
R562			RK73GB1J331J	CHIP R 330 J 1/16W		R636			RK73GB1J271J	CHIP R 270 J 1/16W	
R563			RK73GB1J221J	CHIP R 220 J 1/16W		R637,638			RK73GB1J682J	CHIP R 6.8K J 1/16W	
R564			RK73GB1J271J	CHIP R 270 J 1/16W		R639			RK73GB1J681J	CHIP R 680 J 1/16W	
R565			RK73GB1J150J	CHIP R 15 J 1/16W		R640			RK73GB1J222J	CHIP R 2.2K J 1/16W	
R566			RK73GB1J221J	CHIP R 220 J 1/16W		R641			RK73GB1J470J	CHIP R 47 J 1/16W	
R567			RK73GB1J470J	CHIP R 47 J 1/16W		R642			RK73GB1J153J	CHIP R 15K J 1/16W	
R568			RK73GB1J181J	CHIP R 180 J 1/16W		R643			RK73GB1J682J	CHIP R 6.8K J 1/16W	
R569			RK73GB1J150J	CHIP R 15 J 1/16W		R644			RK73GB1J180J	CHIP R 18 J 1/16W	
R570			R92-1252-05	CHIP R 0 OHM J 1/16W		R645			RK73GB1J222J	CHIP R 2.2K J 1/16W	
R571			RK73GB1J153J	CHIP R 15K J 1/16W		R646			RK73GB1J271J	CHIP R 270 J 1/16W	
R572			RK73GB1J682J	CHIP R 6.8K J 1/16W		R647			RK73GB1J102J	CHIP R 1.0K J 1/16W	
R573			RK73GB1J101J	CHIP R 100 J 1/16W		R648			RK73GB1J471J	CHIP R 470 J 1/16W	
R574			RK73GB1J150J	CHIP R 15 J 1/16W		R649			RK73GB1J472J	CHIP R 4.7K J 1/16W	
R575			R92-1252-05	CHIP R 0 OHM J 1/16W		R650			RK73GB1J102J	CHIP R 1.0K J 1/16W	
R576			RK73GB1J470J	CHIP R 47 J 1/16W		R651			RK73GB1J391J	CHIP R 390 J 1/16W	
R577			RK73GB1J181J	CHIP R 180 J 1/16W		R652			R92-1252-05	CHIP R 0 OHM J 1/16W	
R578			R92-1252-05	CHIP R 0 OHM J 1/16W		R653			RK73GB1J391J	CHIP R 390 J 1/16W	
R579			RK73GB1J101J	CHIP R 100 J 1/16W		R654			R92-1252-05	CHIP R 0 OHM J 1/16W	
R580			R92-1252-05	CHIP R 0 OHM J 1/16W		R654,655			R92-1252-05	CHIP R 0 OHM J 1/16W	
R581			RK73GB1J682J	CHIP R 6.8K J 1/16W		R656			RK73GB1J472J	CHIP R 4.7K J 1/16W	
R583			RK73GB1J101J	CHIP R 100 J 1/16W		R657			RK73GB1J153J	CHIP R 15K J 1/16W	
R585			RK73GB1J101J	CHIP R 100 J 1/16W		R658			RK73GB1J682J	CHIP R 6.8K J 1/16W	
R586			RK73GB1J472J	CHIP R 4.7K J 1/16W		R659,660			RK73GB1J102J	CHIP R 1.0K J 1/16W	
R587			RK73GB1J101J	CHIP R 100 J 1/16W		R661			RK73GB1J150J	CHIP R 15 J 1/16W	
R588			RK73GB1J470J	CHIP R 47 J 1/16W		R663			RK73GB1J471J	CHIP R 470 J 1/16W	
R589			RK73GB1J151J	CHIP R 150 J 1/16W		R664			RK73GB1J151J	CHIP R 150 J 1/16W	
R593			RK73GB1J682J	CHIP R 6.8K J 1/16W		R665			RK73GB1J102J	CHIP R 1.0K J 1/16W	
R596			RK73GB1J153J	CHIP R 15K J 1/16W		R666			RK73GB1J390J	CHIP R 39 J 1/16W	
R598			RK73GB1J271J	CHIP R 270 J 1/16W		R667			RK73GB1J150J	CHIP R 15 J 1/16W	
R600			RK73GB1J470J	CHIP R 47 J 1/16W		R668			RK73GB1J101J	CHIP R 100 J 1/16W	

K : TS-2000 (K)    KB : TS-B2000 (K)    KX : TS-2000X (K)    E : TS-2000 (E)  
 EB : TS-B2000 (E)    E2 : TS-2000 (E2)    E2B : TS-B2000 (E2)    EX : TS-2000X (E)

## PARTS LIST

### TX-RX 2 UNIT (X57-606X-XX)

Ref. No.	Address	New parts	Parts No.	Description	Destination	Ref. No.	Address	New parts	Parts No.	Description	Destination
R669			RK73GB1J150J	CHIP R 15 J 1/16W		R771,772			RK73GB1J180J	CHIP R 18 J 1/16W	
R670			RK73GB1J470J	CHIP R 47 J 1/16W		R773,774			RK73GB1J271J	CHIP R 270 J 1/16W	
R671			RK73GB1J151J	CHIP R 150 J 1/16W		R775			R92-1252-05	CHIP R 0 OHM J 1/16W	
R675			RK73GB1J391J	CHIP R 390 J 1/16W		D6,7			RN731V	DIODE	
R676			RK73GB1J151J	CHIP R 150 J 1/16W		D9-11			HSC277	DIODE	
R677			RK73GB1J101J	CHIP R 100 J 1/16W		D12			RN731V	DIODE	
R677,678			RK73GB1J101J	CHIP R 100 J 1/16W		D13			HSC277	DIODE	
R680			RK73GB1J390J	CHIP R 39 J 1/16W		D14			RN731V	DIODE	
R681-683			R92-1252-05	CHIP R 0 OHM J 1/16W		D15			HSC277	DIODE	
R685			R92-1252-05	CHIP R 0 OHM J 1/16W		D16			HVC131	DIODE	
R686			RK73GB1J151J	CHIP R 150 J 1/16W		D17			HSC277	DIODE	
R687			R92-1252-05	CHIP R 0 OHM J 1/16W		D18			HVC131	DIODE	
R689,690			R92-1252-05	CHIP R 0 OHM J 1/16W		D19			RN731V	DIODE	
R692			RK73GB1J101J	CHIP R 100 J 1/16W		D20			HSC277	DIODE	
R693			RK73GB1J102J	CHIP R 1.0K J 1/16W		D21			RN731V	DIODE	
R694			RK73GB1J153J	CHIP R 15K J 1/16W		D22-24			HSC277	DIODE	
R695			RK73GB1J682J	CHIP R 6.8K J 1/16W		D30-34			HVC350B	VARIABLE CAPACITANCE DIODE	
R696			RK73GB1J470J	CHIP R 47 J 1/16W		D36,37			HVC350B	VARIABLE CAPACITANCE DIODE	
R697			RK73GB1J121J	CHIP R 120 J 1/16W		D39-43			HVC350B	VARIABLE CAPACITANCE DIODE	
R698			RK73GB1J682J	CHIP R 6.8K J 1/16W		D46			DAN235E	DIODE	
R699			RK73GB1J391J	CHIP R 390 J 1/16W		D47			HVC350B	VARIABLE CAPACITANCE DIODE	
R700			R92-1252-05	CHIP R 0 OHM J 1/16W		D48,49			HSC277	DIODE	
R701			RK73GB1J102J	CHIP R 1.0K J 1/16W		D51			HVC350B	VARIABLE CAPACITANCE DIODE	
R702,703			RK73GB1J103J	CHIP R 10K J 1/16W		D52,53			DAN235E	DIODE	
R710-713			RK73GB1J472J	CHIP R 4.7K J 1/16W		D54			HSB88WS	DIODE	
R714,715			RK73GB1J101J	CHIP R 100 J 1/16W		D56			DAN235E	DIODE	K,KB,KX
R716-719			RK73GB1J102J	CHIP R 1.0K J 1/16W		D56,57			DAN235E	DIODE	E,EB,E2
R720			RK73GB1J182J	CHIP R 1.8K J 1/16W		D56,57			DAN235E	DIODE	E2B,EX
R721			R92-1252-05	CHIP R 0 OHM J 1/16W		D58			RB706F-40	DIODE	
R722,723			RK73GB1J101J	CHIP R 100 J 1/16W		D59			DAN235E	DIODE	E,EB,E2
R724,725			RK73GB1J102J	CHIP R 1.0K J 1/16W		D59			DAN235E	DIODE	E2B,EX
R726			RK73GB1J101J	CHIP R 100 J 1/16W		D63-66			1SS355	DIODE	
R727			RK73GB1J680J	CHIP R 68 J 1/16W		D68			DAN222	DIODE	
R728-731			RK73GB1J102J	CHIP R 1.0K J 1/16W		D69			1SS355	DIODE	
R732,733			R92-1252-05	CHIP R 0 OHM J 1/16W		D71			1SS355	DIODE	
R734			RK73GB1J101J	CHIP R 100 J 1/16W		D73,74			DAN222	DIODE	
R735,736			RK73GB1J391J	CHIP R 390 J 1/16W		D75,76			1SS355	DIODE	
R737			RK73GB1J103J	CHIP R 10K J 1/16W		D77,78			MA742	DIODE	
R738			RK73GB1J120J	CHIP R 12 J 1/16W		D79,80			HVC350B	VARIABLE CAPACITANCE DIODE	
R739,740			RK73GB1J472J	CHIP R 4.7K J 1/16W		D81,82			HVC131	DIODE	
R741			RK73GB1J120J	CHIP R 12 J 1/16W		D83			MA742	DIODE	
R742,743			RK73GB1J472J	CHIP R 4.7K J 1/16W		D84-88			HVC350B	VARIABLE CAPACITANCE DIODE	
R744			RK73GB1J271J	CHIP R 270 J 1/16W		D89			UDZS3.9B	ZENER DIODE	
R745,746			RK73GB1J391J	CHIP R 390 J 1/16W		D90,91			HSC277	DIODE	
R747			RK73GB1J180J	CHIP R 18 J 1/16W		D92-94			HVC131	DIODE	
R749,750			RK73GB1J102J	CHIP R 1.0K J 1/16W		D95			HSC277	DIODE	
R751			RK73GB1J271J	CHIP R 270 J 1/16W		D96,97			HVC131	DIODE	
R752			RK73GB1J102J	CHIP R 1.0K J 1/16W		D98			DAN222	DIODE	
R753,754			R92-1252-05	CHIP R 0 OHM J 1/16W		D99			1SS355	DIODE	
R755			RK73GB1J470J	CHIP R 47 J 1/16W		D100			HVC350B	VARIABLE CAPACITANCE DIODE	
R756			RK73GB1J153J	CHIP R 15K J 1/16W		D101			HSC277	DIODE	
R757			RK73GB1J682J	CHIP R 6.8K J 1/16W		D400			MA2S111	DIODE	
R758			RK73GB1J102J	CHIP R 1.0K J 1/16W		D401,402			KV1460	VARIABLE CAPACITANCE DIODE	
R759			RK73GB1J181J	CHIP R 180 J 1/16W		D403			MA2S304	VARIABLE CAPACITANCE DIODE	
R760-762			RK73GB1J102J	CHIP R 1.0K J 1/16W		D404,405			MA2S077	DIODE	
R763			RK73GB1J472J	CHIP R 4.7K J 1/16W		D406			MA2S304	VARIABLE CAPACITANCE DIODE	
R764,765			RK73GB1J102J	CHIP R 1.0K J 1/16W		D407			MA2S111	DIODE	
R766			RK73GB1J271J	CHIP R 270 J 1/16W		D408			KV1460	VARIABLE CAPACITANCE DIODE	
R767			RK73GB1J180J	CHIP R 18 J 1/16W		D409-412			1SV283	VARIABLE CAPACITANCE DIODE	
R768-770			RK73GB1J271J	CHIP R 270 J 1/16W							

## PARTS LIST

TX-RX 2 UNIT (X57-606X-XX)  
TX-RX 3 UNIT (X57-6070-00) : KX,EX

Ref. No.	Address	New parts	Parts No.	Description	Desti-nation	Ref. No.	Address	New parts	Parts No.	Description	Desti-nation	
D413			KV1460	VARIABLE CAPACITANCE DIODE		Q61			2SC3356	TRANSISTOR		
D416,417			1SV283	VARIABLE CAPACITANCE DIODE		Q62			2SA1362(Y)	TRANSISTOR		
D418,419			MA2S077	DIODE		Q63			2SC4617(S)	TRANSISTOR		
D420			1SV283	VARIABLE CAPACITANCE DIODE		Q65			2SC4617(R)	TRANSISTOR		
D421			MA2S077	DIODE		Q66			FMA1A	TRANSISTOR		
D422,423			MA2S111	DIODE		Q67			DTA114EUA	DIGITAL TRANSISTOR		
D426-429			RN731V	DIODE		Q400-402			2SC3722K(R)	TRANSISTOR		
D430-437			MA2S077	DIODE		Q403-405			DTC114EUA	DIGITAL TRANSISTOR		
D438			MA2S111	DIODE		Q406,407			2SK508NV(K52)	FET		
D439-444			MA2S077	DIODE		Q409			2SK508NV(K52)	FET		
D445-447			MA2S111	DIODE		Q410,411			2SC4116(Y)	TRANSISTOR		
IC2			BU2099FV	IC (SERIAL/PARALLEL SIGNAL CONVERSION)		Q412			2SC4617(R)	TRANSISTOR		
IC3			UPC1678G	IC (WIDE-BAND AMPLIFIER)		Q413,414			2SC5108(Y)	TRANSISTOR		
IC4,5			GN2011(Q)	IC (MIXER)		Q415			2SC4649(N,P)	TRANSISTOR		
IC6			UPB1509GV	IC (DIVIDER)		Q416			2SC5108(Y)	TRANSISTOR		
IC7			TA31136FN	IC (FM IC)		Q417-420			2SC4617(R)	TRANSISTOR		
IC8			TC4W53FU	IC (MULTIPLEXER)		Q421			2SC4649(N,P)	TRANSISTOR		
IC9			NJM2904V	IC (OP AMPLIFIER)		Q423-425			2SC4617(R)	TRANSISTOR		
IC400			TA7808F	IC (AVR)		Q426			DTC114EUA	DIGITAL TRANSISTOR		
IC401			LMX2306TMX	IC (PLL)		Q427			2SK508NV(K52)	FET		
IC402			LMX2316TMX	IC (PLL)		Q428			2SC4617(R)	TRANSISTOR		
IC403			TA7805F	IC (AVR)		Q428-430			2SC4617(R)	TRANSISTOR		
IC404			BU4094BCFV	IC (SERIAL/PARALLEL CONVERSION)		Q431			2SK508NV(K52)	FET		
IC405			UPC2709TB	IC (WIDE-BAND AMPLIFIER)		Q432			2SC4617(R)	TRANSISTOR		
IC406-408			AD9835BRU	IC (DDS)		Q433			2SK508NV(K52)	FET		
IC409-412			LMX2306TMX	IC (PLL)		Q434			DTC114EUA	DIGITAL TRANSISTOR		
IC414			LMX2306TMX	IC (PLL)		Q435			2SC5108(Y)	TRANSISTOR		
IC415,416			UPC2709TB	IC (WIDE-BAND AMPLIFIER)		Q436			DTC114EUA	DIGITAL TRANSISTOR		
Q1,2			DTC114EUA	DIGITAL TRANSISTOR		Q437			2SC5108(Y)	TRANSISTOR		
Q3			FMA5	TRANSISTOR		Q438			2SC4617(R)	TRANSISTOR		
Q11			UMC2N	TRANSISTOR		Q439			DTC114EUA	DIGITAL TRANSISTOR		
Q13			FMA5	TRANSISTOR		Q441			2SK508NV(K52)	FET		
Q14,15			3SK241(R)	FET		Q444			2SC4617(R)	TRANSISTOR		
Q16			UMC2N	TRANSISTOR		Q446			2SC4617(R)	TRANSISTOR		
Q17,18			2SC3356	TRANSISTOR		Q447-452			2SC3722K(R)	TRANSISTOR		
Q19			2SC5066(O)	TRANSISTOR		Q453,454			DTC114EUA	DIGITAL TRANSISTOR		
Q20			2SK302(GR)	FET		Q455			2SC4617(R)	TRANSISTOR		
Q21,22			2SC3357	TRANSISTOR		Q457			2SC5108(Y)	TRANSISTOR		
Q23			3SK298	FET		Q458			2SC4617(R)	TRANSISTOR		
Q24,25			2SC3357	TRANSISTOR		Q459,460			2SK508NV(K52)	FET		
Q26			2SC3356	TRANSISTOR		Q461			2SC5108(Y)	TRANSISTOR		
Q30			2SC3356	TRANSISTOR		Q462			2SC4649(N,P)	TRANSISTOR		
Q31			UMC2N	TRANSISTOR		Q463			DTC114EUA	DIGITAL TRANSISTOR		
Q32-34			2SC3356	TRANSISTOR		Q464			2SK508NV(K52)	FET		
Q35			DTA114EUA	DIGITAL TRANSISTOR		Q469-472			UMC2N	TRANSISTOR		
Q36			UMC2N	TRANSISTOR		Q473			2SC4617(R)	TRANSISTOR		
Q37			3SK298	FET		Q474			UMC2N	TRANSISTOR		
Q38			3SK131(M)	FET		Q476			2SC4649(N,P)	TRANSISTOR		
Q39			2SC4617(R)	TRANSISTOR		TH1			157-502-65001	THERMISTOR		
Q40			DTA114EUA	DIGITAL TRANSISTOR	E,EB,E2	TH2			157-102-65001	THERMISTOR		
Q40			DTA114EUA	DIGITAL TRANSISTOR	E2B,EX	<b>TX-RX 3 UNIT (X57-6070-00) : KX,EX</b>						
Q41			DTC144EUA	DIGITAL TRANSISTOR	E,EB,E2							
Q41			DTC144EUA	DIGITAL TRANSISTOR	E2B,EX	C1			CK73GB1H103K	CHIP C	0.010UF	K
Q42,43			2SK520(K43)	FET		C2			CK73GB1H471K	CHIP C	470PF	K
Q44,45			2SC4617(R)	TRANSISTOR		C3			CC73GCH1H470J	CHIP C	47PF	J
Q46,47			3SK131(M)	FET		C4			CK73GB1H103K	CHIP C	0.010UF	K
Q48			2SC4617(R)	TRANSISTOR		C5,6			CC73GCH1H100D	CHIP C	10PF	D
Q50,51			2SC4617(R)	TRANSISTOR		C7			CK73GB1H102K	CHIP C	1000PF	K
Q55,56			2SB1132(Q,R)	TRANSISTOR		C8			CK73GB1H103K	CHIP C	0.010UF	K
Q57-60			DTC114EUA	DIGITAL TRANSISTOR								

K : TS-2000 (K)    KB : TS-B2000 (K)    KX : TS-2000X (K)    E : TS-2000 (E)  
EB : TS-B2000 (E)    E2 : TS-2000 (E2)    E2B : TS-B2000 (E2)    EX : TS-2000X (E)

## PARTS LIST

TX-RX 3 UNIT (X57-6070-00) : KX,EX

Ref. No.	Address	New parts	Parts No.	Description	Destination	Ref. No.	Address	New parts	Parts No.	Description	Destination
C9			CC73GCH1H100D	CHIP C 10PF D		C96,97			CK73GB1H102K	CHIP C 1000PF K	
C10			CK73GB1H102K	CHIP C 1000PF K		C98			CK73GB1C104K	CHIP C 0.10UF K	
C11,12			CK73GB1H103K	CHIP C 0.010UF K		C99			CK73GB1H102K	CHIP C 1000PF K	
C13			CC73GCH1H050C	CHIP C 5.0PF C		C101			CC73GCH1H020B	CHIP C 2.0PF B	
C14,15			CK73GB1H102K	CHIP C 1000PF K		C103			CC73GCH1H010B	CHIP C 1.0PF B	
C16			CK73GB1H471K	CHIP C 470PF K		C104			CK73GB1H471K	CHIP C 470PF K	
C18			CC73GCH1H470J	CHIP C 47PF J		C105			CC73GCH1H470J	CHIP C 47PF J	
C19			CC73GCH1H060D	CHIP C 6.0PF D		C106			CC73GCH1H060D	CHIP C 6.0PF D	
C20,21			CK73GB1H102K	CHIP C 1000PF K		C107			CC73GCH1H470J	CHIP C 47PF J	
C22			CC73GCH1H470J	CHIP C 47PF J		C108			CK73GB1H471K	CHIP C 470PF K	
C24			CC73GCH1H220J	CHIP C 22PF J		C109			CC73GCH1H100D	CHIP C 10PF D	
C25			CC73GCH1H470J	CHIP C 47PF J		C110			CC73GCH1HR75B	CHIP C 0.75PF B	
C26			CC73GCH1H030C	CHIP C 3.0PF C		C111			CK73GB1H471K	CHIP C 470PF K	
C27,28			CC73GCH1H470J	CHIP C 47PF J		C112			CC73GCH1H101J	CHIP C 100PF J	
C29			CK73GB1H471K	CHIP C 470PF K		C113			CC73GCH1H020B	CHIP C 2.0PF B	
C32			CK73GB1H471K	CHIP C 470PF K		C114			CC73GCH1H220J	CHIP C 22PF J	
C33,34			CC73GCH1H470J	CHIP C 47PF J		C116			CC73GCH1H040C	CHIP C 4.0PF C	
C36			CK73GB1C104K	CHIP C 0.10UF K		C117			CC73GCH1H470J	CHIP C 47PF J	
C37			CC73GCH1H030C	CHIP C 3.0PF C		C118			CC73GCH1H101J	CHIP C 100PF J	
C38			CK73GB1H471K	CHIP C 470PF K		C119			CK73GB1H103K	CHIP C 0.010UF K	
C40			CC73GCH1H470J	CHIP C 47PF J		C120			CC73GCH1H470J	CHIP C 47PF J	
C41			CK73GB1H102K	CHIP C 1000PF K		C121,122			CK73GB1H471K	CHIP C 470PF K	
C42			C92-0719-05	ELECTRO 47UF 25WV		C123			CC73GCH1H470J	CHIP C 47PF J	
C43			CK73GB1H102K	CHIP C 1000PF K		C124			CC73GCH1H101J	CHIP C 100PF J	
C44			C92-0719-05	ELECTRO 47UF 25WV		C125			CC73GCH1H1R5B	CHIP C 1.5PF B	
C45			CK73GB1H102K	CHIP C 1000PF K		C126			CC73GCH1H080D	CHIP C 8.0PF D	
C46			CC73GCH1H470J	CHIP C 47PF J		C127			CC73GCH1H010B	CHIP C 1.0PF B	
C48			CK73GB1H471K	CHIP C 470PF K		C128			CC73GCH1H1R5B	CHIP C 1.5PF B	
C49			C92-0719-05	ELECTRO 47UF 25WV		C131-134			CC73GCH1H101J	CHIP C 100PF J	
C51			CK73GB1H102K	CHIP C 1000PF K		C135			CC73GCH1H470J	CHIP C 47PF J	
C52			CC73GCH1H470J	CHIP C 47PF J		C136			CK73GB1H103K	CHIP C 0.010UF K	
C53			CK73GB1H471K	CHIP C 470PF K		C137			C92-0505-05	CHIP-TAN 10UF 16WV	
C54			C92-0719-05	ELECTRO 47UF 25WV		C138			CK73GB1H103K	CHIP C 0.010UF K	
C55			CK73GB1H102K	CHIP C 1000PF K		C139,140			CK73GB1H102K	CHIP C 1000PF K	
C56			CC73GCH1H470J	CHIP C 47PF J		C142			CC73GCH1H070D	CHIP C 7.0PF D	
C57			CK73GB1H471K	CHIP C 470PF K		C143			CK73GB1H102K	CHIP C 1000PF K	
C58			C92-0719-05	ELECTRO 47UF 25WV		C144			CC73GCH1HOR3B	CHIP C 0.3PF B	
C59			CK73GB1H471K	CHIP C 470PF K		C145			CC73GCH1H070D	CHIP C 7.0PF D	
C60			CK73GB1H102K	CHIP C 1000PF K		C147			C92-0505-05	CHIP-TAN 10UF 16WV	
C61			CC73GCH1H470J	CHIP C 47PF J		C148			CK73GB1H103K	CHIP C 0.010UF K	
C63			C92-0720-05	ELECTRO 100UF 25WV		C149			CK73GB1H102K	CHIP C 1000PF K	
C64			CK73GB1H471K	CHIP C 470PF K		C150			CC73GCH1H470J	CHIP C 47PF J	
C65			CC73GCH1H470J	CHIP C 47PF J		C151			CK73GB1H103K	CHIP C 0.010UF K	
C66			CC73GCH1H100D	CHIP C 10PF D		C152			CK73GB1H102K	CHIP C 1000PF K	
C67			CC73GCH1H470J	CHIP C 47PF J		C153			CC73GCH1H070D	CHIP C 7.0PF D	
C68			CC73GCH1H100D	CHIP C 10PF D		C154			CK73GB1H102K	CHIP C 1000PF K	
C69,70			CC73GCH1H470J	CHIP C 47PF J		C155,156			CK73GB1H103K	CHIP C 0.010UF K	
C71			CK73GB1H471K	CHIP C 470PF K		C158			CC73GCH1H470J	CHIP C 47PF J	
C72			CC73GCH1H470J	CHIP C 47PF J		C165			C92-0523-05	CHIP-ELE 10UF 16WV	
C74			CK73GB1H471K	CHIP C 470PF K		C167			CK73GB1H102K	CHIP C 1000PF K	
C75			CM73F2H470J	CHIP C 47PF J		C169			CK73GB1H471K	CHIP C 470PF K	
C76			CK73GB1H471K	CHIP C 470PF K		C170,171			CK73GB1H102K	CHIP C 1000PF K	
C78			CC73GCH1H470J	CHIP C 47PF J		C172			CK73GB1H103K	CHIP C 0.010UF K	
C79-83			CC73GCH1H101J	CHIP C 100PF J		C173			CK73GB1H102K	CHIP C 1000PF K	
C84-90			CK73GB1H103K	CHIP C 0.010UF K		C174			CK73GB1H471K	CHIP C 470PF K	
C91			CK73GB1H102K	CHIP C 1000PF K		C176			C92-0719-05	ELECTRO 47UF 25WV	
C92			CC73GCH1H070D	CHIP C 7.0PF D		C178			CK73GB1H102K	CHIP C 1000PF K	
C93			CK73GB1H102K	CHIP C 1000PF K		C179			C92-0523-05	CHIP-ELE 10UF 16WV	
C94			CC73GCH1H050C	CHIP C 5.0PF C		C180			CK73GB1H102K	CHIP C 1000PF K	
C95			CC73GCH1H010B	CHIP C 1.0PF B		C182			CC73GCH1H470J	CHIP C 47PF J	

## PARTS LIST

TX-RX 3 UNIT (X57-6070-00) : KX,EX

Ref. No.	Address	New parts	Parts No.	Description	Desti-nation	Ref. No.	Address	New parts	Parts No.	Description	Desti-nation
C183			CK73GB1H471K	CHIP C 470PF K		W2			E37-0894-05	LEAD WIRE WITH TERMINAL (+B)	
C184,185			CC73GCH1H470J	CHIP C 47PF J		W3			E37-0895-05	LEAD WIRE WITH TERMINAL (GND)	
C186			CK73GB1H471K	CHIP C 470PF K		504	3C		E37-0943-05	LEAD WIRE WITH MINIPIN PLUG	
C188			CC73GCH1H040C	CHIP C 4.0PF C		CN1			E40-3237-05	PIN ASSY	
C189			CC73GCH1H220J	CHIP C 22PF J		CN5			E40-3239-05	PIN ASSY	
C190			CC73GCH1H470J	CHIP C 47PF J		CN6			E40-5978-05	FLAT CABLE CONNECTOR	
C191			CC73GCH1H050C	CHIP C 5.0PF C		CN7,8			E04-0428-05	PIN SOCKET	
C192			CK73GB1H471K	CHIP C 470PF K		CN9			E04-0190-05	PIN SOCKET	
C193			CC73GCH1H100D	CHIP C 10PF D		CN11-16			E04-0428-05	PIN SOCKET	
C194			CK73GB1H103K	CHIP C 0.010UF K		-			F10-2367-04	SHIELDING COVER	
C195			CC73GCH1H101J	CHIP C 100PF J		506	3C		F10-2368-03	SHIELDING PLATE	
C301			CK73GB1H471K	CHIP C 470PF K		-			F10-2390-04	SHIELDING CASE	
C302,303			CC73GCH1H101J	CHIP C 100PF J		-			F10-2391-04	SHIELDING CASE	
C304			CC73GCH1H150J	CHIP C 15PF J		-			F10-2394-04	SHIELDING CASE	
C305			CK73GB1H102K	CHIP C 1000PF K		-			F10-2396-03	SHIELDING COVER	
C306			CC73GCH1H150J	CHIP C 15PF J		511	3C		G10-1218-04	FIBROUS SHEET	
C307			CC73GCH1H1R5B	CHIP C 1.5PF B		512	3B		J21-8401-04	HARDWARE FIXTURE	
C308			CK73GB1H471K	CHIP C 470PF K		-			J61-0307-05	BAND	
C309			CC73GCH1H060D	CHIP C 6.0PF D		CF1,2			L72-0343-05	CERAMIC FILTER (8.4MHZ)	
C310			CC73GCH1H101J	CHIP C 100PF J		L1			L92-0158-05	FERRITE CHIP	
C311			CC73GCH1H080D	CHIP C 8.0PF D		L2			L34-4411-05	COIL	
C312			CC73GCH1H020B	CHIP C 2.0PF B		L3			L34-4651-05	COIL	
C313			CC73GCH1H030C	CHIP C 3.0PF C		L4			L40-1005-85	SMALL FIXED INDUCTOR (10U)	
C314			CC73GCH1H101J	CHIP C 100PF J		L5			L34-4651-05	COIL	
C315			CC73GCH1H470J	CHIP C 47PF J		L7,8			L39-1446-05	TOROIDAL COIL	
C316			CC73GCH1H030C	CHIP C 3.0PF C		L9			L34-4644-05	COIL	
C317,318			CC73GCH1H010B	CHIP C 1.0PF B		L10			L79-1766-05	DIELECTRIC FILTER	
C319			CC73GCH1H470J	CHIP C 47PF J		L11			L40-1075-92	SMALL FIXED INDUCTOR (10NH)	
C320			C92-0717-05	ELECTRO 330UF 16WV		L12			L79-1766-05	DIELECTRIC FILTER	
C323			CC73GCH1H470J	CHIP C 47PF J		L13			L92-0158-05	FERRITE CHIP	
C326,327			CC73GCH1H470J	CHIP C 47PF J		L17-19			L92-0158-05	FERRITE CHIP	
C328,329			CK73GB1H103K	CHIP C 0.010UF K		L20,21			L92-0403-05	FERRITE CHIP	
C332			CK73GB1C473K	CHIP C 0.047UF K		L22			L34-4411-05	COIL	
C333,334			C92-0543-05	CHIP-TAN 3.3UF 10WV		L23			L40-1005-85	SMALL FIXED INDUCTOR (10U)	
C335			C92-0503-05	CHIP-TAN 0.068UF 35WV		L24			L34-4644-05	COIL	
C336			CK73GB1H182K	CHIP C 1800PF K		L25			L34-4651-05	COIL	
C367			CC73GCH1H101J	CHIP C 100PF J		L26-28			L34-4642-05	COIL	
C368,369			CC73GCH1H020B	CHIP C 2.0PF B		L29			L34-4644-05	COIL	
C370-374			CK73GB1H103K	CHIP C 0.010UF K		L30			L79-1133-05	DIELECTRIC FILTER	
C377-379			CK73GB1H103K	CHIP C 0.010UF K		L31			L40-8265-92	SMALL FIXED INDUCTOR (8.2NH)	
C380			CC73GCH1H270J	CHIP C 27PF J		L32			L40-6865-92	SMALL FIXED INDUCTOR (6.8NH)	
C381,382			CK73GB1H103K	CHIP C 0.010UF K		L33			L79-1765-05	DIELECTRIC FILTER	
C383			CC73GCH1H080D	CHIP C 8.0PF D		L34			L40-1075-92	SMALL FIXED INDUCTOR (10NH)	
C384-386			CK73GB1H103K	CHIP C 0.010UF K		L35			L40-5663-92	SMALL FIXED INDUCTOR (5.6NH)	
C387			CK73GB1C104K	CHIP C 0.10UF K		L36			L40-2263-92	SMALL FIXED INDUCTOR (2.2NH)	
C388			CC73GCH1H330J	CHIP C 33PF J		L37			L40-6865-92	SMALL FIXED INDUCTOR (6.8NH)	
C389			CC73GCH1H050C	CHIP C 5.0PF C		L38			L40-5663-92	SMALL FIXED INDUCTOR (5.6NH)	
C390-393			CK73GB1H103K	CHIP C 0.010UF K		L39			L40-1085-85	SMALL FIXED INDUCTOR (0.10U)	
C394			CC73GCH1H010B	CHIP C 1.0PF B		L40,41			L40-1005-85	SMALL FIXED INDUCTOR (10U)	
C395,396			CC73GCH1H180J	CHIP C 18PF J		L42,43			L34-4644-05	COIL	
C397			CK73GB1H103K	CHIP C 0.010UF K		L44			L40-1005-85	SMALL FIXED INDUCTOR (10U)	
C398			CC73GCH1H330J	CHIP C 33PF J		L45			L34-4644-05	COIL	
C399-401			CK73GB1H103K	CHIP C 0.010UF K		L49-51			L40-1005-85	SMALL FIXED INDUCTOR (10U)	
C402			CC73GCH1H010B	CHIP C 1.0PF B		L52			L79-1753-05	DIELECTRIC FILTER	
C403			CC73GCH1H030C	CHIP C 3.0PF C		L301			L40-1085-92	SMALL FIXED INDUCTOR (100NH)	
C404			CK73GB1H102K	CHIP C 1000PF K		L302			L40-1278-60	SMALL FIXED INDUCTOR (12NH)	
TC301			C05-0393-05	CERAMIC TRIMMER CAP (8PF)		L303,304			L40-1085-92	SMALL FIXED INDUCTOR (100NH)	
-			E23-0433-05	EARTH LUG		L305,306			L40-2275-92	SMALL FIXED INDUCTOR (22NH)	
501	3B		E30-3457-05	ANTENNA CABLE							

K : TS-2000 (K)    KB : TS-B2000 (K)    KX : TS-2000X (K)    E : TS-2000 (E)  
 EB : TS-B2000 (E)    E2 : TS-2000 (E2)    E2B : TS-B2000 (E2)    EX : TS-2000X (E)

## PARTS LIST

TX-RX 3 UNIT (X57-6070-00) : KX,EX

Ref. No.	Address	New parts	Parts No.	Description	Destination	Ref. No.	Address	New parts	Parts No.	Description	Destination
L307,308			L40-8265-92	SMALL FIXED INDUCTOR (8.2NH)		R38,39			RK73GB1J470J	CHIP R 47 J 1/16W	
L309			L40-2275-92	SMALL FIXED INDUCTOR (22NH)		R40			RK73GB1J271J	CHIP R 270 J 1/16W	
L310			L40-5663-92	SMALL FIXED INDUCTOR (5.6NH)		R41			RK73GB1J180J	CHIP R 18 J 1/16W	
L312			L40-4763-92	SMALL FIXED INDUCTOR (4.7NH)		R42			RK73GB1J271J	CHIP R 270 J 1/16W	
L315			L40-4763-92	SMALL FIXED INDUCTOR (4.7NH)		R43			R92-1259-05	CHIP R 18 J 1/2W	
L318,319			L40-2275-92	SMALL FIXED INDUCTOR (22NH)		R45			RK73GB1J182J	CHIP R 1.8K J 1/16W	
L320,321			L34-4642-05	COIL		R46			RK73GB1J152J	CHIP R 1.5K J 1/16W	
L322			L40-1875-92	SMALL FIXED INDUCTOR (18NH)		R47			RK73GB1J182J	CHIP R 1.8K J 1/16W	
L323			L40-1595-85	SMALL FIXED INDUCTOR (1.5U)		R48			RK73GB1J103J	CHIP R 10K J 1/16W	
L332			L92-0158-05	FERRITE CHIP		R50			R92-0700-05	CHIP R 180 J 1/2W	
L333			L92-0403-05	FERRITE CHIP		R51			RK73GB1J101J	CHIP R 100 J 1/16W	
L336			L40-2285-92	SMALL FIXED INDUCTOR (220NH)		R52			RK73GB1J821J	CHIP R 820 J 1/16W	
L337			L40-5663-92	SMALL FIXED INDUCTOR (5.6NH)		R53			RK73GB1J332J	CHIP R 3.3K J 1/16W	
L338			L34-4401-05	COIL		R54			RK73GB1J101J	CHIP R 100 J 1/16W	
L339			L34-4026-15	COIL		R55			RK73GB1J682J	CHIP R 6.8K J 1/16W	
L340-342			L34-4657-05	COIL		R56			RK73GB1J680J	CHIP R 68 J 1/16W	
L343			L40-1005-34	SMALL FIXED INDUCTOR (10UH)		R57,58			RK73GB1J222J	CHIP R 2.2K J 1/16W	
L344			L40-4705-85	SMALL FIXED INDUCTOR (47U)		R59			R92-1252-05	CHIP R 0 OHM J 1/16W	
L345			L40-1005-34	SMALL FIXED INDUCTOR (10UH)		R60			RK73GB1J332J	CHIP R 3.3K J 1/16W	
L346			L40-1085-92	SMALL FIXED INDUCTOR (100NH)		R61			R92-1252-05	CHIP R 0 OHM J 1/16W	
L347			L40-4763-92	SMALL FIXED INDUCTOR (4.7NH)		R62,63			RK73GB1J102J	CHIP R 1.0K J 1/16W	
L348			L40-5663-92	SMALL FIXED INDUCTOR (5.6NH)		R64			RK73GB1J101J	CHIP R 100 J 1/16W	
XF1			L71-0575-05	MCF		R65			RK73GB1J471J	CHIP R 470 J 1/16W	
XF2			L71-0576-05	MCF		R66			RK73GB1J474J	CHIP R 470K J 1/16W	
P	3C		N30-2606-46	PAN HEAD MACHINE SCREW		R67			RK73GB1J823J	CHIP R 82K J 1/16W	
-			N67-2608-46	PAN HEAD SEMS SCREW W		R68			RK73GB1J273J	CHIP R 27K J 1/16W	
R	3C		N87-2606-46	BRAZIER HEAD TAPTITE SCREW		R70			RK73GB1J101J	CHIP R 100 J 1/16W	
CP1,2			RK75GB1J101J	CHIP-COM 100 J 1/16W		R71			RK73GB1J471J	CHIP R 470 J 1/16W	
R2,3			RK73GB1J102J	CHIP R 1.0K J 1/16W		R72			RK73GB1J271J	CHIP R 270 J 1/16W	
R4			RK73GB1J103J	CHIP R 10K J 1/16W		R73			RK73GB1J100J	CHIP R 10 J 1/16W	
R5			RK73GB1J273J	CHIP R 27K J 1/16W		R74			RK73GB1J180J	CHIP R 18 J 1/16W	
R6			RK73GB1J100J	CHIP R 10 J 1/16W		R75			RK73GB1J271J	CHIP R 270 J 1/16W	
R7			RK73GB1J102J	CHIP R 1.0K J 1/16W		R76,77			RK73GB1J221J	CHIP R 220 J 1/16W	
R8,9			RK73GB1J680J	CHIP R 68 J 1/16W		R78			RK73GB1J333J	CHIP R 33K J 1/16W	
R10			RK73GB1J103J	CHIP R 10K J 1/16W		R79,80			RK73GB1J473J	CHIP R 47K J 1/16W	
R11			RK73GB1J273J	CHIP R 27K J 1/16W		R81			RK73GB1J101J	CHIP R 100 J 1/16W	
R12,13			RK73GB1J330J	CHIP R 33 J 1/16W		R82			RK73GB1J820J	CHIP R 82 J 1/16W	
R14,15			RK73GB1J331J	CHIP R 330 J 1/16W		R83			RK73GB1J470J	CHIP R 47 J 1/16W	
R16			RK73GB1J101J	CHIP R 100 J 1/16W		R85			RK73GB1J330J	CHIP R 33 J 1/16W	
R17			RK73GB1J271J	CHIP R 270 J 1/16W		R86			RK73GB1J473J	CHIP R 47K J 1/16W	
R18			RK73GB1J180J	CHIP R 18 J 1/16W		R87			RK73GB1J102J	CHIP R 1.0K J 1/16W	
R19			RK73GB1J271J	CHIP R 270 J 1/16W		R88			RK73GB1J101J	CHIP R 100 J 1/16W	
R20			RK73GB1J471J	CHIP R 470 J 1/16W		R89			RK73GB1J102J	CHIP R 1.0K J 1/16W	
R21			RK73GB1J271J	CHIP R 270 J 1/16W		R90			RK73GB1J470J	CHIP R 47 J 1/16W	
R22			RK73GB1J272J	CHIP R 2.7K J 1/16W		R91			RK73GB1J103J	CHIP R 10K J 1/16W	
R23			RK73GB1J180J	CHIP R 18 J 1/16W		R92			RK73GB1J472J	CHIP R 4.7K J 1/16W	
R24			RK73GB1J472J	CHIP R 4.7K J 1/16W		R93			RK73GB1J823J	CHIP R 82K J 1/16W	
R25			RK73GB1J271J	CHIP R 270 J 1/16W		R94			RK73GB1J471J	CHIP R 470 J 1/16W	
R26			RK73GB1J330J	CHIP R 33 J 1/16W		R95			RK73GB1J561J	CHIP R 560 J 1/16W	
R27			RK73GB1J222J	CHIP R 2.2K J 1/16W		R96			RK73GB1J101J	CHIP R 100 J 1/16W	
R28			RK73GB1J101J	CHIP R 100 J 1/16W		R97			RK73GB1J270J	CHIP R 27 J 1/16W	
R29			RK73GB1J151J	CHIP R 150 J 1/16W		R98			RK73GB1J560J	CHIP R 56 J 1/16W	
R30			RK73GB1J390J	CHIP R 39 J 1/16W		R99			RK73GB1J332J	CHIP R 3.3K J 1/16W	
R31			RK73GB1J151J	CHIP R 150 J 1/16W		R100			RK73GB1J152J	CHIP R 1.5K J 1/16W	
R32			RK73GB1J101J	CHIP R 100 J 1/16W		R101			RK73GB1J822J	CHIP R 8.2K J 1/16W	
R34			R92-1252-05	CHIP R 0 OHM J 1/16W		R102			RK73GB1J153J	CHIP R 15K J 1/16W	
R35			RK73GB1J680J	CHIP R 68 J 1/16W		R103			RK73GB1J471J	CHIP R 470 J 1/16W	
R36			RK73GB1J121J	CHIP R 120 J 1/16W		R104,105			RK73GB1J101J	CHIP R 100 J 1/16W	
R37			RK73GB1J152J	CHIP R 1.5K J 1/16W		R106			RK73GB1J331J	CHIP R 330 J 1/16W	
						R108			RK73GB1J102J	CHIP R 1.0K J 1/16W	

## PARTS LIST

TX-RX 3 UNIT (X57-6070-00) : KX,EX

Ref. No.	Address	New parts	Parts No.	Description	Desti-nation	Ref. No.	Address	New parts	Parts No.	Description	Desti-nation
R111			RK73GB1J103J	CHIP R 10K J 1/16W		R370			RK73GB1J183J	CHIP R 18K J 1/16W	
R112			RK73GB1J222J	CHIP R 2.2K J 1/16W		R371-373			RK73GB1J330J	CHIP R 33 J 1/16W	
R117			RK73GB1J271J	CHIP R 270 J 1/16W		R374			RK73GB1J222J	CHIP R 2.2K J 1/16W	
R118			RK73GB1J180J	CHIP R 18 J 1/16W		R375			RK73GB1J101J	CHIP R 100 J 1/16W	
R119,120			RK73GB1J271J	CHIP R 270 J 1/16W		R376			RK73GB1J153J	CHIP R 15K J 1/16W	
R121			RK73GB1J180J	CHIP R 18 J 1/16W		R377			RK73GB1J682J	CHIP R 6.8K J 1/16W	
R122			RK73GB1J271J	CHIP R 270 J 1/16W		R378			RK73GB1J151J	CHIP R 150 J 1/16W	
R123			RK73GB1J273J	CHIP R 27K J 1/16W		R379			RK73GB1J101J	CHIP R 100 J 1/16W	
R124			RK73GB1J103J	CHIP R 10K J 1/16W		R381			R92-1252-05	CHIP R 0 OHM J 1/16W	
R125			RK73GB1J470J	CHIP R 47 J 1/16W		R383			RK73GB1J102J	CHIP R 1.0K J 1/16W	
R126			RK73GB1J101J	CHIP R 100 J 1/16W		R384			RK73GB1J470J	CHIP R 47 J 1/16W	
R127			R92-1252-05	CHIP R 0 OHM J 1/16W		R385,386			RK73GB1J103J	CHIP R 10K J 1/16W	
R130			RK73GB1J472J	CHIP R 4.7K J 1/16W		VR1			R12-6715-05	TRIMMING POT. (22K/8)	
R131			RK73GB1J182J	CHIP R 1.8K J 1/16W		VR2			R12-6707-05	TRIMMING POT. (1.0K/8)	
R132			RK73GB1J180J	CHIP R 18 J 1/16W		D1			HSB88WS	DIODE	
R133			RK73GB1J470J	CHIP R 47 J 1/16W		D2			1SS355	DIODE	
R134			RK73GB1J561J	CHIP R 560 J 1/16W		D3,4			HSM88ASR	DIODE	
R135			RK73GB1J560J	CHIP R 56 J 1/16W		D5-7			XB15A709	DIODE	
R140,141			RK73FB2A820J	CHIP R 82 J 1/10W		D8			DAN235E	DIODE	
R301			RK73GB1J471J	CHIP R 470 J 1/16W		D9			1SS355	DIODE	
R302			RK73GB1J470J	CHIP R 47 J 1/16W		D10,11			RN731V	DIODE	
R303			RK73GB1J121J	CHIP R 120 J 1/16W		D12			DAN202K	DIODE	
R304			RK73GB1J100J	CHIP R 10 J 1/16W		D301			1SV283	VARIABLE CAPACITANCE DIODE	
R305			RK73GB1J103J	CHIP R 10K J 1/16W		D302			UDZS4.7B	ZENER DIODE	
R306			RK73GB1J332J	CHIP R 3.3K J 1/16W		D303			XB15A709	DIODE	
R307			RK73GB1J470J	CHIP R 47 J 1/16W		D304			MA2S111	DIODE	
R309,310			R92-1252-05	CHIP R 0 OHM J 1/16W		D305			1SV283	VARIABLE CAPACITANCE DIODE	
R311			RK73GB1J331J	CHIP R 330 J 1/16W		IC1			UPC2709TB	IC (TX RF AMPLIFIER)	
R312			RK73GB1J823J	CHIP R 82K J 1/16W		IC2			M67715	IC (DRIVE POWER MODULE)	
R314,315			R92-1252-05	CHIP R 0 OHM J 1/16W		IC3			M57762-02	IC (FINAL POWER MODULE)	
R318			RK73GB1J102J	CHIP R 1.0K J 1/16W		IC4			AD9851BRS	IC (DDS)	
R319			RK73GB1J823J	CHIP R 82K J 1/16W		IC5			LMX2316TMX	IC (PLL)	
R321			RK73GB1J101J	CHIP R 100 J 1/16W		Q1,2			3SK131(M)	FET	
R322			RK73GB1J821J	CHIP R 820 J 1/16W		Q3			2SC3356	TRANSISTOR	
R323			RK73GB1J220J	CHIP R 22 J 1/16W		Q4			UMC4N	TRANSISTOR	
R324			RK73GB1J101J	CHIP R 100 J 1/16W		Q5			2SC4093	TRANSISTOR	
R325			RK73GB1J182J	CHIP R 1.8K J 1/16W		Q7,8			2SK520(K43)	FET	
R326			RK73GB1J222J	CHIP R 2.2K J 1/16W		Q9			3SK131(M)	FET	
R327,328			R92-1252-05	CHIP R 0 OHM J 1/16W		Q10			3SK241(R)	FET	
R329			RK73GB1J474J	CHIP R 470K J 1/16W		Q11			2SC5008	TRANSISTOR	
R330			RK73GB1J222J	CHIP R 2.2K J 1/16W		Q12			2SK2685	FET	
R331			RK73GB1J103J	CHIP R 10K J 1/16W		Q13			2SC4617(R)	TRANSISTOR	
R332			R92-1252-05	CHIP R 0 OHM J 1/16W		Q14,15			2SC5108(Y)	TRANSISTOR	
R333			RK73GB1J103J	CHIP R 10K J 1/16W		Q16,17			2SC4617(R)	TRANSISTOR	
R334			RK73GB1J392J	CHIP R 3.9K J 1/16W		Q19			2SC3356	TRANSISTOR	
R335			R92-1252-05	CHIP R 0 OHM J 1/16W		Q20			2SC3357	TRANSISTOR	
R342			R92-1252-05	CHIP R 0 OHM J 1/16W		Q301			2SK508NV(K52)	FET	
R343			RK73GB1J331J	CHIP R 330 J 1/16W		Q302			2SC5066(O)	TRANSISTOR	
R351			R92-1252-05	CHIP R 0 OHM J 1/16W		Q303,304			2SC4617(R)	TRANSISTOR	
R359			RK73GB1J101J	CHIP R 100 J 1/16W		Q305-307			2SC3722K(R)	TRANSISTOR	
R360			RK73GB1J153J	CHIP R 15K J 1/16W		Q310-312			2SC4617(R)	TRANSISTOR	
R361			RK73GB1J682J	CHIP R 6.8K J 1/16W		Q313,314			3SK131(M)	FET	
R362			RK73GB1J101J	CHIP R 100 J 1/16W		Q315			2SC4617(R)	TRANSISTOR	
R363			RK73GB1J151J	CHIP R 150 J 1/16W		TH1			157-102-65001	THERMISTOR	
R364			RK73GB1J101J	CHIP R 100 J 1/16W		TH2			157-502-65001	THERMISTOR	
R365			RK73GB1J223J	CHIP R 22K J 1/16W							
R366			RK73GB1J822J	CHIP R 8.2K J 1/16W							
R367			RK73GB1J221J	CHIP R 220 J 1/16W							
R368			R92-1252-05	CHIP R 0 OHM J 1/16W							
R369			RK73GB1J330J	CHIP R 33 J 1/16W							

Downloaded by  
RadioAmateur.EU

## ADJUSTMENT

### Display Check

Item	Condition	Measurement			Adjustment			Specifications/Remarks
		Test-equipment	Unit	Terminal	Unit	Parts	Method	
1. All reset	1) DC IN : 13.8V Hold down [A=B] key and press the [POWER]key.				Front panel	LCD	After displaying "HELLO", the display is reset as follows; Main band side DISP f. : 14.000.00 Mode : USB ANT1, PTT, CTRL, AGC, PRE Sub band side DISP f. : 144.000.00 Mode : FM PRE, TNC	Display should be normal. Should be at the reset frequency.
2. LCD all segments light	1) Menu No. : 126						Check	LCD all segments light.

### PLL Section

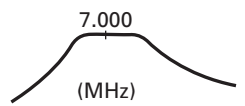
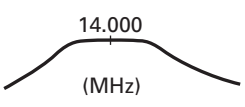
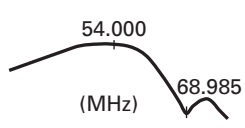
Item	Condition	Measurement			Adjustment			Specifications/Remarks	
		Test-equipment	Unit	Terminal	Unit	Parts	Method		
1. 31.2MHz level	1) Display f. : 14.100MHz Mode : USB Receive	Oscilloscope	TX-RX2 (B/11)	W503	TX-RX2 (B/11)	L422 L427	Level max.	-3dBm or more	
2. Lock voltage	1) HF REF VCO Display f. : 2.000MHz Mode : FM Display f. : 12.990MHz	DC V.M Spectrum analyzer		TP501	TX-RX2 (D/11)	TC403	1.5V	±0.5V	
							Check	4.6V or less	
	2) HF1 MAIN PLL Display f. : 30.00kHz Mode : FM Display f. : 16.990MHz			TP502	TX-RX2 (J/11)	TC408	1.45V	±0.05V	
							Check	6.3V or less	
	3) HF2 MAIN PLL Display f. : 17.00MHz Mode : FM Display f. : 36.990MHz				TX-RX2 (J/11)	TC410	1.45V	±0.05V	
							Check	6.3V or less	
	4) HF3 MAIN PLL Display f. : 37.00MHz Mode : FM Display f. : 60.000MHz				TX-RX2 (J/11)	TC409	1.45V	±0.05V	
							Check	6.3V or less	
	5) HF LO2 PLL Display f. : 24.00MHz Mode : FM Display f. : 29.000MHz			TX-RX2 (C/11)	TP505	TX-RX2 (I/11)	TC402	1.5V	±0.05V
								Check	4.6V or less
	6) VHF REF PLL Display f. : 142.00MHz Mode : FM Display f. : 151.990MHz			TX-RX2 (B/11)	TP512	TX-RX2 (E/11)	TC406	2.0V	±0.5V
								Check	4.6V or less



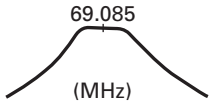
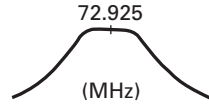





## ADJUSTMENT

Item	Condition	Measurement			Adjustment			Specifications/Remarks	
		Test-equipment	Unit	Terminal	Unit	Parts	Method		
	7) VHF MAIN PLL Display f. : 142.00MHz Mode : FM	DC V.M Spectrum analyzer	TX-RX2 (B/11)	TP503	TX-RX2 (H/11)	TC405	1.0V	±0.03V	
	Check						4.6V or less		
	8) UHF PLL Display f. : 449.990MHz Mode : FM			TP504	TX-RX2 (G/11)	TC404	6.0V	±0.05V	
	Check						1.5V or more		
	9) SUB1 PLL Display f. : 154.495MHz Mode : FM			TX-RX2 (C/11)	TP506	TX-RX2 (K/11)	TC400	5.5V	±0.2V
	Display f. : 220.000MHz							Check	1.0V or less
	10) SUB2 PLL Display f. : 173.995MHz Mode : FM							TX-RX2 (K/11)	TC401
	Display f. : 135.000MHz			Check	1.0V or less				

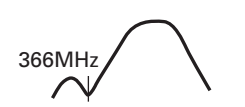
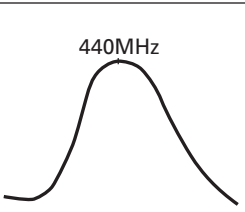
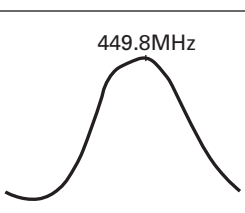
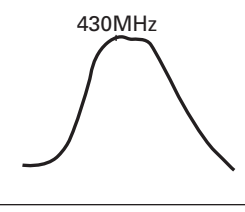
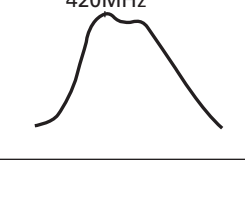
### Receiver Section

Item	Condition	Measurement			Adjustment			Specifications/Remarks	
		Test-equipment	Unit	Terminal	Unit	Parts	Method		
1. HF BPF	1) Display f. : 7.200MHz Mode : AM Spectrum analyzer setting Center f. : 7.000MHz Frequency span : 5MHz XdB/DIV : 10dB RBW : 30kHz VBW : 30kHz	Tracking generator  Spectrum analyzer	Rear panel  TX-RX1 (A/9)	ANT1  CN5	TX-RX1 (A/9)	L23 L24 L25	Adjust the coils to obtain the frequency response as shown.		
	2) Display f. : 14.200MHz Spectrum analyzer setting Center f. : 14.000MHz							L32 L33 L34	
	3) Display f. : 50.000MHz Spectrum analyzer setting Center f. : 54.000MHz							L45 L46	
2. RX trap (E type only)	1) Display f. : 11.700MHz Mode : AM PRE-AMP : ON					TC1	Adjust the trimmer to get a null point at 11.7MHz.		
	2) Display f. : 15.501MHz						TC2		Adjust the trimmer to get a null point at 15.501MHz.

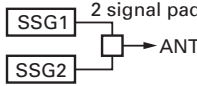
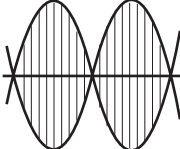
## ADJUSTMENT

Item	Condition	Measurement			Adjustment			Specifications/Remarks
		Test-equipment	Unit	Terminal	Unit	Parts	Method	
3. MCF (69.085MHz)	1) Display f. : 14.000MHz Mode : USB PRE-AMP : ON AGC : OFF Spectrum analyzer setting Center f. : 69.085MHz Frequency span : 100kHz XdB/DIV : 10dB RBW : 30kHz VBW : 30kHz	Tracking generator	Rear panel	ANT1	TX-RX1 (A/9)	L54 L62 L63 L64 L68	Adjust the coils to obtain the frequency response as shown.	
4. MCF (72.925MHz)	1) Display f. : 18.000MHz Spectrum analyzer setting Center f. : 72.925MHz	Spectrum analyzer	TX-RX1 (A/9)	TP4 (CN6) TP5 (CN9)	L65 L66 L67			
<p>• Perform the following in the adjustment mode. Item 5, 6, 10~12, 16, 17 and 21~38. To terminate the adjustment menu in the middle, save your settings with Menu No. 124.</p>								
5. MAIN VHF BPF	1) Sub band f. : 144.000MHz Mode : USB PRE-AMP : ON AGC : ON Spectrum analyzer setting Center f. : 146.000MHz Frequency span : 50MHz XdB/DIV : 5dB RBW : 100kHz VBW : 30kHz	Tracking generator	Rear panel	ANT144	TX-RX2 (A/11)	L163 L164	Adjust the coils to obtain the frequency response as shown.	
	2) Menu No. : 01 (Frequency : 146MHz)	Spectrum analyzer	TX-RX2 (A/11)	CN19	Front panel TX-RX2 (A/11)	[+] key or [-] key L23 L34 L47 L55		After setting the adjustment value to 160, adjust each coil to obtain the frequency response as shown.
	3) Menu No. : 02 (Frequency : 142MHz)	Front panel	[+] key or [-] key	Change the adjustment values to get the highest peak points as shown.				
	4) Menu No. : 03 (Frequency : 144MHz)							
	5) Menu No. : 04 (Frequency : 148MHz)							
	6) Menu No. : 05 (Frequency : 152MHz)							

## ADJUSTMENT

Item	Condition	Measurement			Adjustment			Specifications/Remarks		
		Test-equipment	Unit	Terminal	Unit	Parts	Method			
6. MAIN UHF BPF	1) Trap default	Tracking generator	Rear panel	ANT430	TX-RX2 (A/11)	TC9	Adjust the trimmer to get a null point at 366MHz as shown.			
	2) Menu No. : 06 (Frequency : 440MHz) Spectrum analyzer setting Center f. : 440.000MHz Frequency span : 100MHz XdB/DIV : 5dB RBW : 100kHz VBW : 30kHz	Spectrum analyzer	TX-RX2 (A/11)	CN19	Front panel TX-RX2 (A/11)	[+] key or [-] key TC1 TC2 TC3	After setting the adjustment value to 145, adjust each trimmer to obtain the frequency response as shown.			
	3) Menu No. : 07 (Frequency : 449.8MHz)							Front panel [+] key or [-] key	Change the adjustment values to get the highest peak points as shown.	
	4) Menu No. : 08 (Frequency : 430MHz)									
	5) Menu No. : 09 (Frequency : 420MHz)									
7. HF RX IF gain	1) Display f. : 14.200MHz Mode : USB PRE-AMP : ON AF output : 0.63V/8Ω SSG f. : 14.201MHz SSG output : -113dBm/0.501μV	SSG  Oscilloscope AF V.M DM. SP	Rear panel	ANT1  EXT. SP	TX-RX1 (A/9)	L69 L71 L613 L614 L87	AF output max.			
8. 1st mixer balance	1) Display f. : 100kHz Mode : USB PRE-AMP : OFF SSG output : OFF						VR1	Noise min.		
9. Gain balance	1) Display f. : 9.000MHz Mode : USB SSG f. : 9.001MHz SSG output : -116dBm/0.35μV						VR4	Set the AF output voltage to 0.63V at 8,999.99kHz. Then adjust VR4 to obtain the voltage 0.63V at 9.000MHz when the transceiver is in the receive mode. (If you would not get the specified voltage, adjust 3. MCF and 4. MCF again.)		

## ADJUSTMENT

Item	Condition	Measurement			Adjustment			Specifications/Remarks
		Test-equipment	Unit	Terminal	Unit	Parts	Method	
10. 10.695MHz IF filter	1) Menu No. : 20 SSG1 f. : 1.8330MHz SSG1 output : -33dBm/5010μV SSG2 f. : 1.8301MHz SSG2 output : -33dBm/5010μV Disconnect the cable from CN23.  	SSG1 SSG2 2 signal pad  Oscilloscope	Rear panel	ANT2	Front panel	[+] key or [-] key	Change the adjustment values to get the waveform as shown.	
	11. 455kHz IF filter	1) Menu No. : 21 Connect the cable to CN23.			TP2			
12. SSB IF gain (AGC start level)	1) Menu No. : 22 (Frequency : 14.2MHz) SSG f. : 14.201MHz SSG output : -110dBm/0.707μV	SSG		ANT1			Change the adjustment values within the range of 1 to 5 on the display.	
	2) Menu No. : 28 (Frequency : 50.2MHz) SSG f. : 50.201MHz SSG outut : -114dBm/0.446μV							
13. NB gain	1) Display f. : 14.200MHz Mode : USB PRE-AMP : ON AGC : ON SSG f. : 14.201MHz SSG output : -103dBm/1.58μV NB : ON	DC V.M  SSG  AF V.M Oscilloscope DM. SP Noise G.	TX-RX1 (A/9) Rear panel	TPNB	TX-RX1 (A/9) L81 L82		Voltage min.	
	2) NB : OFF→ON			ANT1  EXT. SP				
14. FM discriminator coil (HF)	1) Display f. : 29.2MHz Mode : FM AF output : 0.63V/8Ω SSG f. : 29.2MHz SSG output : -53dBm/501μV MOD : 1kHz DEV : 3kHz				TX-RX1 (A/9) L83		AF distortion min.	3% or less
15. RX IF gain (VHF)	1) Display f. : 145.990MHz Mode : USB AF output : 0.63V/8Ω SSG f. : 145.991MHz SSG output : -120dBm/0.22μV	SSG  Oscilloscope AF V.M DM. SP	Rear panel	ANT144  EXT. SP	TX-RX2 (A/11) L80 L82 L86		AF output max.	
16. SSB IF gain (AGC start level)	1) Menu No. : 34 (Frequency : 144.2MHz) SSG f. : 144.201MHz SSG output : -116dBm/0.35μV			ANT430	Front panel	[+] key or [-] key	Change the adjustment values within the range of 1 to 5 on the display.	
	2) Menu No. : 44 (Frequency : 438.2MHz) SSG f. : 438.201MHz SSG output : -116dBm/0.35μV							

## ADJUSTMENT

Item	Condition	Measurement			Adjustment			Specifications/Remarks
		Test-equipment	Unit	Terminal	Unit	Parts	Method	
17. Sub band BPF	1) Menu No. : 10 (Frequency : 146MHz) SSG f. : 146.000MHz SSG output : -110dBm/0.707μV MOD : 1kHz DEV : 3kHz	SSG  Oscilloscope AF V.M DM. SP	Rear panel  TX-RX2 (A/11)	ANT144  EXT. SP  SSM	TX-RX2 (A/11)	L28 L44 L52	After setting the adjustment value to 90, adjust each coil to obtain the specified values.	S-meter voltage max.
	2) Menu No. : 11 (Frequency : 118MHz) SSG f. : 118.000MHz SSG output : -110dBm/0.707μV MOD : 1kHz DEV : 3kHz				Front panel	[+] key or [-] key	Change the adjustment values to have the highest readings of S-meter voltage.	(1.04V)
	3) Menu No. : 12 (Frequency : 132MHz) SSG f. : 132.000MHz SSG output : -110dBm/0.707μV MOD : 1kHz DEV : 3kHz							(1.13V)
	4) Menu No. : 13 (Frequency : 160MHz) SSG f. : 160.000MHz SSG output : -110dBm/0.707μV MOD : 1kHz DEV : 3kHz							(1.17V)
	5) Menu No. : 14 (Frequency : 174MHz) SSG f. : 174.000MHz SSG output : -110dBm/0.707μV MOD : 1kHz DEV : 3kHz							(1.11V)
18. FM discriminator coil (VHF) Sub band	1) Display f. : 145.800MHz Mode : FM AF output : 0.63V/8Ω SSG f. : 145.800MHz SSG output : -53dBm/501μV MOD : 3kHz	DC V.M	TX-RX2 (A/11)	CN1	TX-RX2 (A/11)	L93	AF output max.	
		SSG  AF V.M Oscilloscope DM. SP	Rear panel	ANT144  EXT. SP				Check the AF distortion
19. Trap frequency (UHF)	1) SSG1 f. : 439.8MHz Mode : FM SSG1 output : -108dBm/0.9μV MOD : 1kHz DEV : 3kHz SSG2 f. : 356.01MHz Mode : FM SSG2 output : -30dBm/7070μV MOD : 400Hz DEV : 3kHz			ANT430	TX-RX (A/11)	TC9	SINAD max.	
20. S/N check (Reference)	1) Display f. : Next page AF output : 0.63V/8Ω AGC : FAST SSG f. : Next page However, USB : +1kHz PRE-AMP : ON ATT : OFF	SSG  AF V.M Oscilloscope Distortion meter DM. SP	Rear panel	ANT  EXT. SP				

## ADJUSTMENT

Item	Condition	Measurement			Adjustment			Specifications/Remarks		
		Test-equipment	Unit	Terminal	Unit	Parts	Method			
		Band	Frequency (K)	Frequency (E)	Mode	SSG RF level (dBm)	SSG MOD	DEV	Measurement	Spec.
		MAIN	550kHz	550KHz	AM	-85	1kHz	60%→OFF	S/N	>10dB
		MAIN	14.200MHz	14.200MHz	USB	-119→OFF	OFF	OFF	S/N	>10dB
		MAIN	18.200MHz	18.200MHz	USB	-119→OFF	OFF	OFF	S/N	>10dB
		MAIN	52.200MHz	52.200MHz	FM	-118	1kHz	3kHz	SINAD	>12dB
		MAIN	146.200MHz	145.200MHz	AM	-106	1kHz	60%→OFF	S/N	>10dB
		MAIN	146.200MHz	145.200MHz	FM	-121	1kHz	3kHz	SINAD	>12dB
		SUB	118.200MHz	-	AM	-85	1kHz	60%→OFF	S/N	>10dB
		SUB	146.200MHz	145.200MHz	FM	-117	1kHz	3kHz	SINAD	>12dB
		MAIN	440.200MHz	435.200MHz	FM	-122	1kHz	3kHz	SINAD	>12dB
		MAIN	430.200MHz	430.200MHz	FM	-121	1kHz	3kHz	SINAD	>12dB
		MAIN	449.200MHz	439.200MHz	FM	-121	1kHz	3kHz	SINAD	>12dB
		SUB	444.200MHz	430.200MHz	FM	-117	1kHz	3kHz	SINAD	>12dB
		SUB	438.200MHz	435.200MHz	FM	-117	1kHz	3kHz	SINAD	>12dB
		SUB	449.200MHz	439.200MHz	FM	-117	1kHz	3kHz	SINAD	>12dB
21. SSB S-meter S1 (HF)	1) Menu No. : 23 (Frequency : 14.2MHz) AGC : ON PRE-AMP : ON SQL : Counterclockwise max. (Level min.) RF GAIN : Clockwise max. SSG f. : 14.201MHz SSG output : -107dBm/1μV	SSG	Rear panel	ANT1 EXT. SP	Front panel	[+] key or [-] key	1 push		S-meter lights up to S1 level.	
S9	2) Menu No. : 24 SSG output : -81dBm/19.9μV								S-meter lights up to S9 level.	
Full scale (Lights up all)	3) Menu No. : 25 SSG output : -21dBm/19900μV								S-meter lights up all.	
22. FM S-meter S1 (HF)	1) Menu No. : 26 (Frequency : 29.2MHz) SSG f. : 29.200MHz SSG output : -117dBm/0.316μV MOD : 1kHz DEV : 3kHz								S-meter lights up to S1 level.	
Full scale (Lights up all)	2) Menu No. : 27 SSG output : -95dBm/3.98μV								S-meter lights up all.	
23. 50MHz SSB S-meter S1	1) Menu No. : 29 (Frequency : 50.2MHz) SSG f. : 50.201MHz SSG output : -111dBm/0.63μV								S-meter lights up to S1 level.	
S9	2) Menu No. : 30 SSG output : -85dBm/12.6μV								S-meter lights up to S9 level.	
Full scale (Lights up all)	3) Menu No. : 31 SSG output : -25dBm/12600μV								S-meter lights up all.	

## ADJUSTMENT

Item	Condition	Measurement			Adjustment			Specifications/Remarks
		Test-equipment	Unit	Terminal	Unit	Parts	Method	
24. 50MHz FM S-meter S1	1) Menu No. : 32 (Frequency : 50.2MHz) SSG f. : 50.200MHz SSG output : -117dBm/0.316μV MOD : 1kHz DEV : 3kHz	SSG  AF V.M Oscilloscope DM. SP	Rear panel	ANT1	Front panel	[+] key or [-] key	1 push	S-meter lights up to S1 level.
	EXT. SP			S-meter lights up all.				
Full scale (Lights up all)	2) Menu No. : 33 SSG output : -95dBm/3.98μV							S-meter lights up all.
25. 144MHz SSB S-meter S1	1) Menu No. : 35 (Frequency : 144.2MHz) SSG f. : 144.201MHz SSG output : -113dBm/0.501μV			ANT144				S-meter lights up to S1 level.
	S9	2) Menu No. : 36 SSG output : -93dBm/5.01μV						S-meter lights up to S9 level.
	Full scale (Lights up all)	3) Menu No. : 37 SSG output : -43dBm/1580μV						S-meter lights up all.
26. 144MHz FM S-meter S1	1) Menu No. : 38 (Frequency : 145.8MHz) SSG f. : 145.800MHz SSG output : -117dBm/0.316μV MOD : 1kHz DEV : 3kHz							S-meter lights up to S1 level.
	Full scale (Lights up all)	2) Menu No. : 39 SSG output : -95dBm/3.98μV						S-meter lights up all.
27. 120MHz SUB AM S-meter S1	1) Menu No. : 42 (Frequency : 120.2MHz) SSG f. : 120.200MHz SSG output : -105dBm/1.26μV MOD : 1kHz DEV : 60%							S-meter lights up to S1 level.
	Full scale (Lights up all)	2) Menu No. : 43 SSG output : -85dBm/12.6μV						S-meter lights up all.
28. 144MHz SUB FM S-meter S1	1) Menu No. : 40 (Frequency : 145.8MHz) SSG f. : 145.800MHz SSG output : -117dBm/0.316μV MOD : 1kHz DEV : 3kHz							S-meter lights up to S1 level.
	Full scale (Lights up all)	2) Menu No. : 41 SSG output : -95dBm/3.98μV						S-meter lights up all.
29. 440MHz SSB S-meter S1	1) Menu No. : 45 (Frequency : 438.2MHz) SSG f. : 438.201MHz SSG output : -113dBm/0.501μV			ANT430				S-meter lights up to S1 level.
	S9	2) Menu No. : 46 SSG output : -93dBm/5.01μV						S-meter lights up to S9 level.
	Full scale (Lights up all)	3) Menu No. : 47 SSG output : -43dBm/1580μV						S-meter lights up all.

## ADJUSTMENT

Item	Condition	Measurement			Adjustment			Specifications/Remarks
		Test-equipment	Unit	Terminal	Unit	Parts	Method	
30. 440MHz FM S-meter S1	1) Menu No. : 48 (Frequency : 438.2MHz) SSG f. : 438.200MHz SSG output : -117dBm/0.316μV MOD : 1kHz DEV : 3kHz	SSG  AF V.M Oscilloscope DM. SP	Rear panel	ANT430	Front panel	[+] key or [-] key	1 push	S-meter lights up to S1 level.
Full scale (Lights up all)	2) Menu No. : 49 SSG output : -95dBm/3.98μV			EXT. SP				S-meter lights up all.
31. 440MHz SUB FM S-mete S1	1) Menu No. : 50 (Frequency : 438.2MHz) SSG f. : 438.200MHz SSG output : -117dBm/0.316μV MOD : 1kHz DEV : 3kHz							S-meter lights up to S1 level.
Full scale (Lights up all)	2) Menu No. : 51 SSG output : -95dBm/3.98μV							S-meter lights up all.
32. 144MHz FM SQL threshold	1) Menu No. : 61 (Frequency : 145.8MHz) SSG f. : 145.800MHz SSG output : OFF			ANT144				
33. 144MHz FM SQL tight	1) Menu No. : 62 (Frequency : 145.8MHz) SSG f. : 145.800MHz SSG output : -113dBm/0.501μV MOD : 1kHz DEV : 3kHz							
34. 144MHz sub band FM SQL threshold	1) Menu No. : 63 (Frequency : 145.8MHz) SSG f. : 145.800MHz SSG output : OFF							
35. 144MHz sub band FM SQL tight	1) Menu No. : 64 (Frequency : 145.8MHz) SSG f. : 145.800MHz SSG output : -113dBm/0.501μV MOD : 1kHz DEV : 3kHz							
36. 50MHz FM SQL threshold	1) Menu No. : 60 (Frequency : 50.2MHz) SSG f. : 50.200MHz SSG output : OFF			ANT1				
37. 430MHz FM SQL threshold	1) Menu No. : 66 (Frequency : 438.2MHz) SSG f. : 438.200MHz SSG output : OFF			ANT430				



## ADJUSTMENT

Item	Condition	Measurement			Adjustment			Specifications/Remarks
		Test-equipment	Unit	Terminal	Unit	Parts	Method	
38. 430MHz sub band FM SQL threshold	1) Menu No. : 65 (Frequency : 438.2MHz) SSG f. : 438.200MHz SSG output : OFF	SSG  AF V.M Oscilloscope DM. SP	Rear panel	ANT430  EXT. SP	Front panel	[+] key or [-] key	1 push	
<ul style="list-style-type: none"> <li>• Writing data : After items 5, 6, 10~12, 16, 17 and 21~38 have been adjusted;</li> <li>1) Menu No. 124</li> <li>2) [+] or [-] key : Push once time. Display "rEAdy" → "good" (If "nG" is displayed, enter data again.)</li> <li>3) [CLR] key : Push once time.</li> </ul>								

### Transmitter Section

Item	Condition	Measurement			Adjustment			Specifications/Remarks
		Test-equipment	Unit	Terminal	Unit	Parts	Method	
1. Final idling current (HF/VHF)	1) Display f. : 14.100MHz Mode : USB Final unit (A/2) VR1, 2 : MIN Transmit	DC. A	Rear panel	DC	Final (A/2)		Check the default current (I <sub>o</sub> ).	±20mA
						VR1	I <sub>o</sub> + 700mA = I <sub>A</sub>	
						VR2	I <sub>A</sub> + 500mA	
	2) Display f. : 145.900MHz Mode : USB VR102 : MIN Transmit					VR102	I <sub>o</sub> + 1000mA	
2. 29.1MHz frequency	1) Display f. : 29.100MHz Mode : FM Transmit	f. counter	TX-RX1 (A/9)	CN14	TX-RX1 (A/9)	TC3	29.10000MHz	±15Hz
3. Final idling current (UHF)	1) Display f. : 430.000MHz Mode : USB Final unit (B/2) VR901, 902 : MIN Transmit	DC. A	Rear panel	DC	Final (B/2)		Check the default current (I <sub>o</sub> ).	±20mA
						VR901	I <sub>o</sub> + 300mA = I <sub>c</sub>	
						VR902	I <sub>c</sub> + 300mA	
4. TX BPF (VHF)	1) Display f. : 144.900MHz Mode : CW Disconnect the cable from CN4 and insert a cable from the spectrum analyzer. Transmit After the adjustment, connect the cable to CN4.	Spectrum analyzer	TX-RX2 (A/11)	CN4	TX-RX2 (A/11)	TC12 TC13	IF output max.	
						TC14	229MHz spurious level min.	
<ul style="list-style-type: none"> <li>• Perform the following in the adjustment mode. Item 5~8 and 12~28.</li> <li>To terminate the adjustment menu in the middle, save your settings with Menu No. 124.</li> </ul>								

## ADJUSTMENT

Item	Condition	Measurement			Adjustment			Specifications/Remarks				
		Test-equipment	Unit	Terminal	Unit	Parts	Method					
5. TX BPF (UHF)	1) Menu No. : 15 (Frequency : 435.1MHz) Disconnect the cable from CN3 and insert a cable from the spectrum analyzer. Transmit	Spectrum analyzer	TX-RX2 (A/11)	CN3	Front panel	[+] key or [-] key	After setting the adjustment value to 131, adjust the trimmers and coils to have a maximum IF output.	8dBm or more				
	2) Menu No. : 16 (Frequency : 420.1MHz)								Front panel	[+] key or [-] key	Output gain max.	
	(K type only) 3) Menu No. : 17 (Frequency : 439.99MHz)											
	4) Menu No. : 18 (Frequency : 449.9MHz) After the adjustment, connect the cable to CN3.											
6. ALC reference voltage	1) Menu No. : 00 (Frequency : 14.1MHz) Transmit	DC V.M	TX-RX1 (A/9)	TP3	Front panel	[+] key or [-] key	Set the adjustment value within the limit of the specified voltage.	2.7V±0.05V				
7. TX IF gain (HF)	1) Menu No. : 78 (Frequency : 18.1MHz) Transmit	50Ω dummy Oscilloscope Spectrum analyzer	TX-RX1 (A/9)	CN14	TX-RX1 (A/9)	L109 L108 L105 L103 L102 L100 L99 L98 L96	Drive output level max.	-4dBm or more				
8. TX IF BPF (HF)	1) Menu No. : 19 (Frequency : 14.1MHz) Transmit								Front panel	[+] key or [-] key	Change the adjustment values to get the peak reading to a maximum output.	3dBm or more
9. TX mixer balance	1) Display f. : 50.100MHz Mode : CW Transmit								TX-RX1 (A/9)	VR2	68.985MHz spurious level min.	
10. Maximum power UHF	1) Display f. : 438.110MHz Mode : CW Transmit	Power meter	Rear panel	ANT430	Final (B/2)	TC901	Power output max.	63W or more				
VHF	2) Display f. : 145.9MHz Mode : CW Transmit			ANT144	Final (A/2)	TC101 TC102		100W or more				

## ADJUSTMENT

Item	Condition	Measurement			Adjustment			Specifications/Remarks
		Test-equipment	Unit	Terminal	Unit	Parts	Method	
11. Null	1) Menu No. : 68 (Frequency : 14.1MHz) Transmit	Power meter	Rear panel	ANT1	Filter	VR1	Set it at the center position.	
		DC V.M Oscilloscope	Final (A/2)	CN11	Front panel	[+] key or [-] key	Set the adjustment value within the limit of the specified power.	100W±3W
					Filter	TC1	VSR voltage min.	0.3V or less
12. Power frequency characteristic (HF)	1) Menu No. : 120 (Frequency : 51.99MHz) Transmit					VR1	100W	±3W
	2) Menu No. : 68 (Frequency : 14.1MHz) Transmit						Check	100W±5W
13. HF power POC (100W/20W)	1) Menu No. : 68 (Frequency : 14.1MHz) Transmit	Power meter	Rear panel	ANT1	Front panel	[+] key or [-] key	Set the adjustment value within the limit of the specified power.	100W ±3W
	(50W/10W) 2) Menu No. : 69 Transmit							50W±2W
	(25W/5W) 3) Menu No. : 70 Transmit							25W±1W
	(10W/2W) 4) Menu No. : 71 Transmit							10W±0.5W
	(5W/1W) 5) Menu No. : 72 Transmit							5W±0.3W
14. Band TGC	1) Menu No. : 73 (Frequency : 1.83MHz) Transmit							100W±3W
	3.5MHz 2) Menu No. : 74 (Frequency : 3.51MHz) Transmit							
	7.0MHz 3) Menu No. : 75 (Frequency : 7.01MHz) Transmit							
	10MHz 4) Menu No. : 76 (Frequency : 10.1MHz) Transmit							
	14MHz 5) Menu No. : 77 (Frequency : 14.1MHz) Transmit							
	18MHz 6) Menu No. : 78 (Frequency : 18.1MHz) Transmit							
	21MHz 7) Menu No. : 79 (Frequency : 21.1MHz) Transmit							

## ADJUSTMENT

Item	Condition	Measurement			Adjustment			Specifications/Remarks						
		Test-equipment	Unit	Terminal	Unit	Parts	Method							
24MHz	8) Menu No. : 80 (Frequency : 24.9MHz) Transmit	Power meter	Rear panel	ANT1	Front panel	[+] key or [-] key	Set the adjustment value within the limit of the specified power.	100W±3W						
28MHz	9) Menu No. : 81 (Frequency : 28.1MHz) Transmit													
52MHz	10) Menu No. : 82 (Frequency : 50.1MHz) Transmit													
15. Power PGC 50W/10W	1) Menu No. : 83 (Frequency : 14.1MHz) Transmit							ANT144						50W±2W
25W/5W	2) Menu No. : 84 Transmit													25W±1W
10W/2W	3) Menu No. : 85 Transmit													10W±0.5W
5W/1W	4) Menu No. : 86 Transmit													5W±0.3W
16. VHF power POC 100W/20W	1) Menu No. : 91 (Frequency : 145.9MHz) Transmit													100W±3W
50W/10W	2) Menu No. : 92 Transmit													50W±2W
25W/5W	3) Menu No. : 93 Transmit													25W±1W
10W/2W	4) Menu No. : 94 Transmit													10W±0.5W
5W/1W	5) Menu No. : 95 Transmit													5W±0.3W
17. VHF band TGC	1) Menu No. : 96 (Frequency : 145.9MHz) Transmit													100W±3W
18. VHF power PGC 50W/10W	1) Menu No. : 97 (Frequency : 145.9MHz) Transmit													50W±2W
25W/5W	2) Menu No. : 98 Transmit													25W±1W
10W/2W	3) Menu No. : 99 Transmit							10W±0.5W						
5W/1W	4) Menu No. : 100 Transmit							5W±0.3W						

## ADJUSTMENT

Item	Condition	Measurement			Adjustment			Specifications/Remarks							
		Test-equipment	Unit	Terminal	Unit	Parts	Method								
19. UHF power POC 50W/20W	1) Menu No. : 101 (Frequency : 438.1MHz) Transmit	Power meter	Rear panel	ANT430	Front panel	[+] key or [-] key	Set the adjustment value within the limit of the specified power.	50W±2W							
25W/10W	2) Menu No. : 102 Transmit							25W±1W							
12.5W/5W	3) Menu No. : 103 Transmit							12.5W±0.5W							
5W/1W	4) Menu No. : 104 Transmit							5W±0.3W							
20. UHF band TGC	1) Menu No. : 105 (Frequency : 438.1MHz) Transmit							50W±2W							
21. UHF power PGC 25W/10W	1) Menu No. : 106 (Frequency : 438.1MHz) Transmit							25W±2W							
12.5W/5W	2) Menu No. : 107 Transmit							12.5W±0.5W							
5W/1W	3) Menu No. : 108 Transmit							5W±0.3W							
22. ALC meter start point	1) Menu No. : 87 (Frequency : 14.1MHz) Transmit							Through type power meter 150Ω dummy	Rear panel	ANT1	[+] key	1 push	(ALC meter lights up to 1)		
Zone max.	2) Menu No. : 88 Transmit												(ALC meter zone max.)		
23. FM DEV Wide	1) Menu No. : 89 (Frequency : 29.1MHz) Transmit												4.3kHz±0.05kHz		
Narrow	2) Menu No. : 90 Transmit												2.2kHz±0.05kHz		
24. HF SWR protection	1) Menu No. : 118 (Frequency : 14.1MHz) Transmit 150Ω dummy connection : Use a cable that is 1m long										[+] key or [-] key	Set the adjustment value within the limit of the specified power.	40W±1W		
25. SWR meter (SWR : 3)	1) Menu No. : 119 (Frequency : 14.1MHz) Transmit 150Ω dummy connection : Use a cable that is approx. 10cm long												[+] key	1 push	
26. 50MHz SWR meter (SWR : 3)	1) Menu No. : 120 (Frequency : 50.1MHz) Transmit														

## ADJUSTMENT

Item	Condition	Measurement			Adjustment			Specifications/Remarks
		Test-equipment	Unit	Terminal	Unit	Parts	Method	
27. VHF SWR protection	1) Menu No. : 121 (Frequency : 145.9MHz) ANT : Short Transmit	Ammeter	Rear panel	ANT144	Front panel	[+] key or [-] key	Set the adjustment value within the limit of the specified current.	11A
28. UHF SWR protection	1) Menu No. : 122 (Frequency : 438.1MHz) ANT : Open Transmit			ANT430				8A
<ul style="list-style-type: none"> <li>Writing data : After items 5~8 and 12~28 have been adjusted;</li> <li>1) Menu No. 124</li> <li>2) [+] or [-] key : Push once time. Display "rEAdy" → "good" (If "nG" is displayed, enter data again.)</li> <li>3) [CLR] key : Push once time.</li> </ul>								
29. AT detection balance	1) Display f. : 51.990MHz Mode : CW Power : 10W Transmit	Oscilloscope  Power meter	Filter  Rear panel	TP1 (AMD) ANT1	Filter	VR2	Turn the VR2 to the point where the waveform on the oscilloscope changes from high to low. (Threshold point)	

### 1200MHz Unit PLL Section

Item	Condition	Measurement			Adjustment			Specifications/Remarks
		Test-equipment	Unit	Terminal	Unit	Parts	Method	
1. PLL reference level	1) Display f. : 1268.600MHz Mode : FM	Spectrum analyzer	TX-RX3	CN16	TX-RX3	L338 L339 L340 L341 L342 VR1	Output level max.	-35dBm or more at 39.6MHz.
2. PLL reference spurious	1) Display f. : 1268.600MHz Mode : FM					VR2	Level min. at 31.2MHz.	The output level difference between 39.6MHz and 31.2MHz is 75dB or more.
3. VCO control voltage	1) Display f. : 1299.990MHz				DC V.M	TP2		TC301
	2) Display f. : 1240.000MHz		Check	1V or more				
4. LO level (Local osc)	1) Display f. : 1270.000MHz Mode : CW Power : 1W Carrier : 0	Spectrum analyzer	Rear panel	ANT1.2G			Set the carrier level at 100mV.	
					TX-RX3	L42 L43 L45	Level max.	

## ADJUSTMENT

### 1200MHz Unit Receiver Section

Item	Condition	Measurement			Adjustment			Specifications/Remarks
		Test-equipment	Unit	Terminal	Unit	Parts	Method	
1. RX IF gain	1) Display f. : 1270.000MHz Mode : FM SSG f. : 1270.000MHz SSG output : -70dBm/70.7μV	SSG  Spectrum analyzer	Rear panel  TX-RX3	ANT1.2G  CN5 (12RIF)	TX-RX3	L22 L24 L25 L29	Level max.	
2. MCF (135.495MHz)	1) Display f. : 135.495MHz Level : -10dBm Spectrum analyzer setting Center f. : 135.495MHz Frequency span : 50kHz XdB/DIV : 2dB RBW : 1kHz VBW : 1kHz	Tracking generator  Spectrum analyzer		CN8  CN7		L26 L27 L28	Adjust the coils to obtain the frequency response as shown.	
<ul style="list-style-type: none"> <li>Perform the following in the adjustment mode. Item 3~7.</li> <li>To terminate the adjustment menu in the middle, save your settings with Menu No. 124.</li> </ul>								
3. 1.2G SSB IF gain (AGC start level)	1) Menu No. : 52 (Frequency : 1270.2MHz) AGC : ON RF GAIN : MAX SSG f. : 1270.201MHz SSG output : -116dBm/0.35μV	SSG	Rear panel	ANT1.2G	Front panel	[+] key or [-] key	Change the adjustment values within the range of 1 to 5 on the display.	
4. 1.2G SSB S-meter S1	1) Menu No. : 53 (Frequency : 1270.2MHz) SSG f. : 1270.201MHz SSG output : -113dBm/0.501μV	SSG AF V.M Oscilloscope DM. SP	Rear panel	ANT1.2G EXT. SP	Front panel	[+] key or [-] key	1 push	S-meter lights up to S1 level.
S9	2) Menu No. : 54 SG output : -93dBm/5.01μV							S-meter lights up to S9 level.
Full scale (Lights up all)	3) Menu No. : 55 SSG output : -43dBm/1580μV							S-meter lights up all.
5. 1.2G FM S-meter S1	1) Menu No. : 56 (Frequency : 1270.2MHz) SSG f. : 1270.200MHz SSG output : -117dBm/0.316μV MOD : 1kHz DEV : 3kHz							S-meter lights up to S1 level.
Full scale (Lights up all)	3) Menu No. : 57 SSG output : -95dBm/3.98μV							S-meter lights up all.
6. 1.2G ALT	1) Menu No. : 58 (Frequency : 1270.2MHz) SSG f. : 1270.200MHz SSG output : -53dBm/501μV MOD : 1kHz DEV : 3kHz							
7. 1.2G FM SQL threshold	1) Menu No. : 67 (Frequency : 1270.2MHz) SSG f. : 1270.200MHz SSG output : OFF							
<ul style="list-style-type: none"> <li>Writing data : After items 3~7 have been adjusted;</li> <li>1) Menu No. 124</li> <li>2) [+] or [-] key : Push once time. Display "rEAdy" → "good" (If "nG" is displayed, enter data again.)</li> <li>3) [CLR] key : Push once time.</li> </ul>								

## ADJUSTMENT

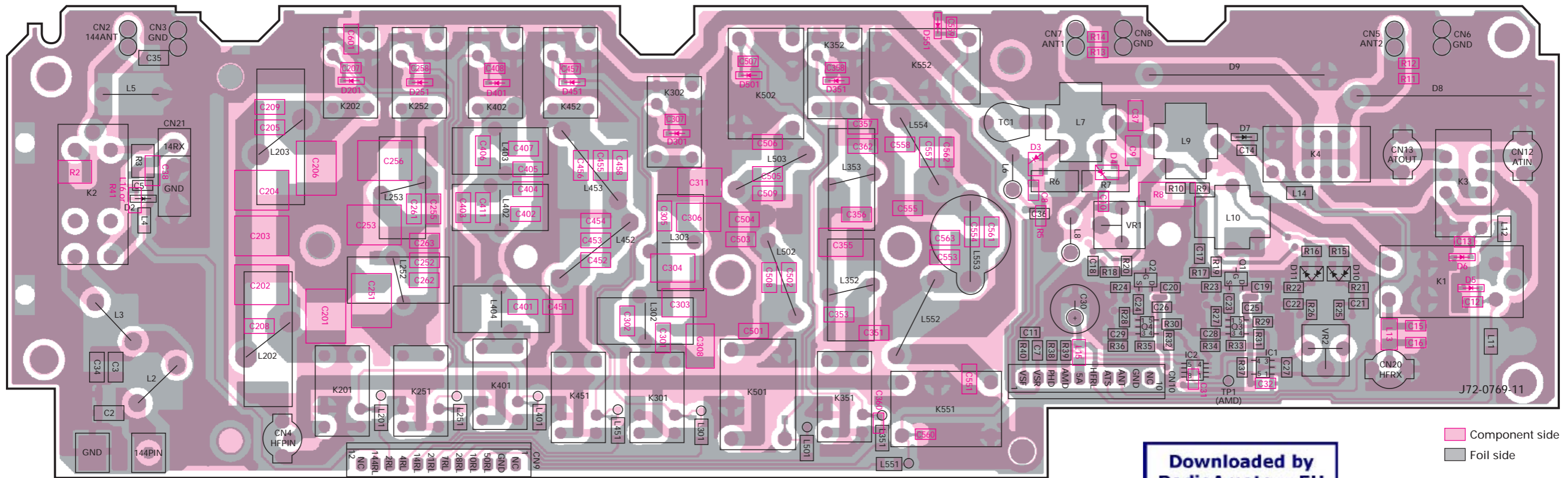
### 1200MHz Unit Transmitter Section

Item	Condition	Measurement			Adjustment			Specifications/Remarks
		Test-equipment	Unit	Terminal	Unit	Parts	Method	
1. TX IF gain	1) Display f. : 1270.000MHz Mode : CW Carrier : 0 Transmit	Spectrum analyzer Power meter	Rear panel	ANT1.2G	TX-RX3		Set the carrier level at approx. 100mW.	
							L2 L3 L9	
2. MCF (135.395MHz)	1) Disconnect the cable from CN5. Display f. : 135.395MHz Spectrum analyzer setting Center f. : 135.395MHz Frequency span : 50kHz XdB/DIV : 2dB RBW : 1kHz VBW : 1kHz Transmit Connect the cable to CN5.	Tracking generator		CN15		L320 L321 L5	Adjust the coils to obtain the frequency response as shown.	
		Spectrum analyzer		CN14				
<ul style="list-style-type: none"> <li>Perform the following in the adjustment mode. Item 3~6.</li> <li>To terminate the adjustment menu in the middle, save your settings with Menu No. 124.</li> </ul>								
3. 1.2G power POC 10W	1) Menu No. : 109 (Frequency : 1270.1MHz) Transmit	Power meter	Rear panel	ANT1.2G	Front panel	[+] key or [-] key	Set the adjustment value within the limit of the specified power.	10W±0.1W
5W	2) Menu No. : 110 Transmit							5W±0.2W
2.5W	3) Menu No. : 111 Transmit							2.5W±0.1W
1W	4) Menu No. : 112 Transmit							1W±0.1W
4. Band TGC 1240MHz	1) Menu No. : 113 (Frequency : 1240.1MHz) Mode : USB Transmit							10W±0.3W
1270MHz	2) Menu No. : 114 (Frequency : 1270.1MHz) Transmit							
1299MHz	3) Menu No. : 115 (Frequency : 1299.9MHz) Transmit							
5. 1.2G power PGC 2.5W	1) Menu No. : 116 (Frequency : 1270.1MHz) Transmit							2.5W±0.1W
1W	2) Menu No. : 117 Transmit							1W±0.1W
6. 1.2G protection	1) Menu No. : 123 (Frequency : 1270.1MHz) ANT : 50Ω dummy load Set the adjustment value to 0. Transmit	DC V.M	TX-RX1 (A/9)	CN27 (12VSR)			Check the default voltage (Vo).	0.1 to 1.0V
	2) Menu No. : 123 (Frequency : 1270.1MHz) ANT : Open Set the adjustment value to 100. Transmit							
<ul style="list-style-type: none"> <li>Writing data : After items 3~6 have been adjusted;</li> <li>1) Menu No. 124</li> <li>2) [+] or [-] key : Push once time. Display "rEAdy" → "good" (If "nG" is displayed, enter data again.)</li> <li>3) [CLR] key : Push once time.</li> </ul>								



# TS-2000/X, TS-B2000 PC BOARD VIEWS

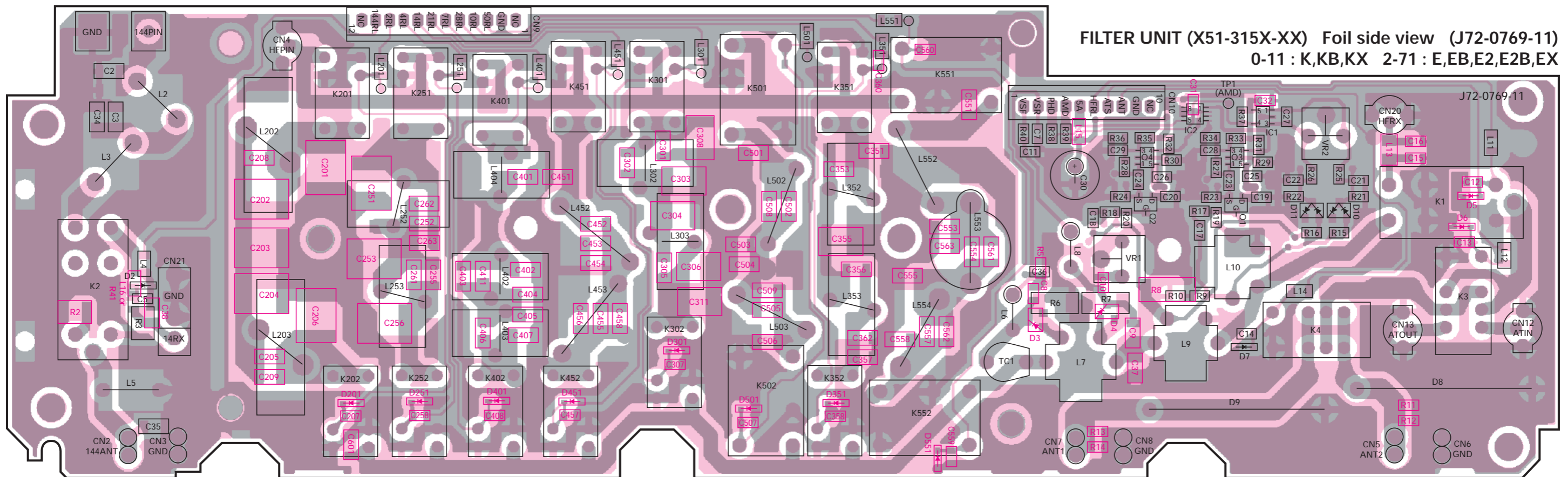
## FILTER UNIT (X51-315X-XX) Component side view (J72-0769-11) 0-11 : K,KB,KX 2-71 : E,EB,E2,E2B,EX



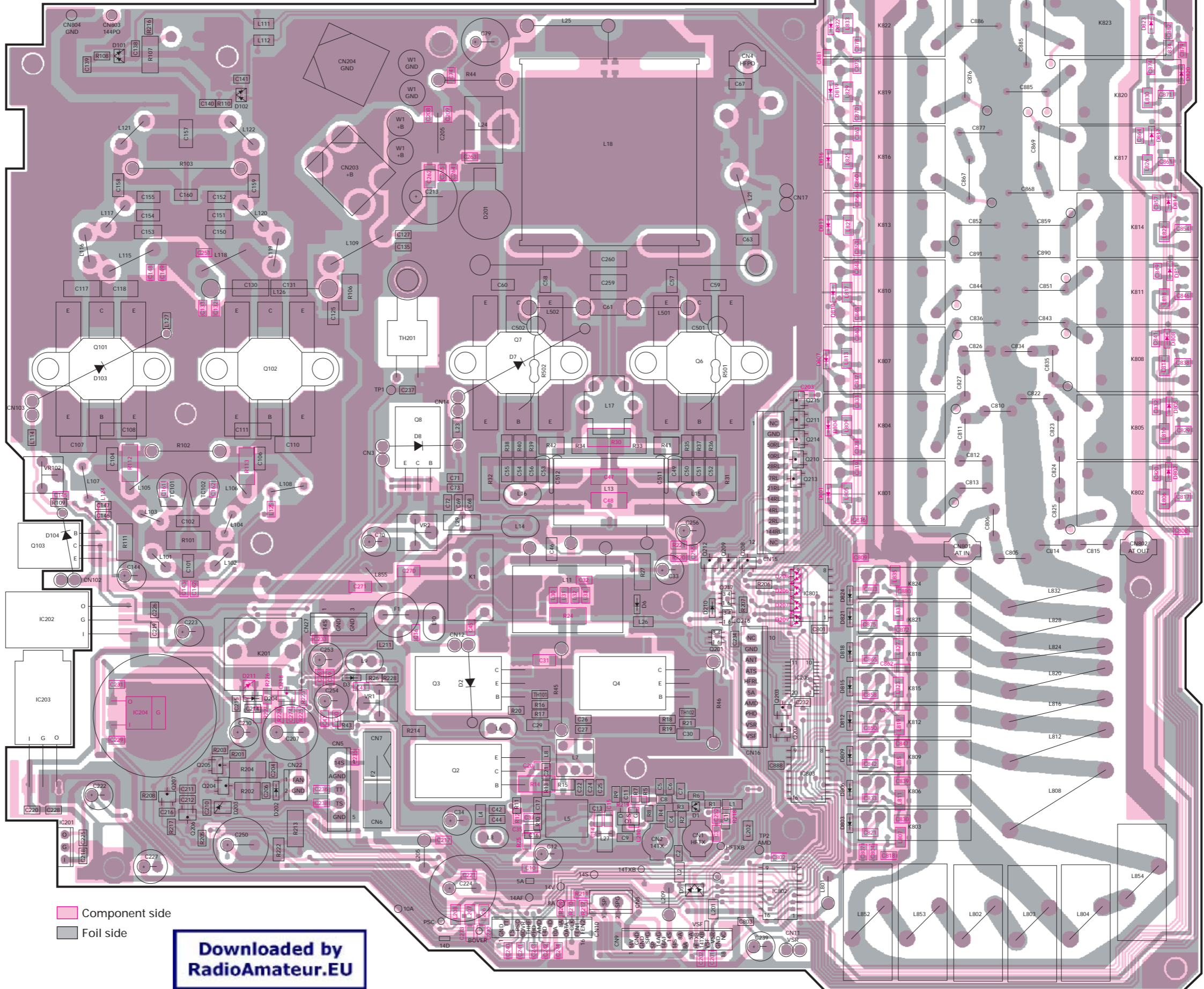
Component side  
Foil side

Downloaded by  
RadioAmateur.EU

## FILTER UNIT (X51-315X-XX) Foil side view (J72-0769-11) 0-11 : K,KB,KX 2-71 : E,EB,E2,E2B,EX



FINAL UNIT (X45-360X-XX) (A/2) 0-11 : K,KB,KX 2-71 : E,EB,E2,E2B,EX Component side view (J72-0701-11 A/2)

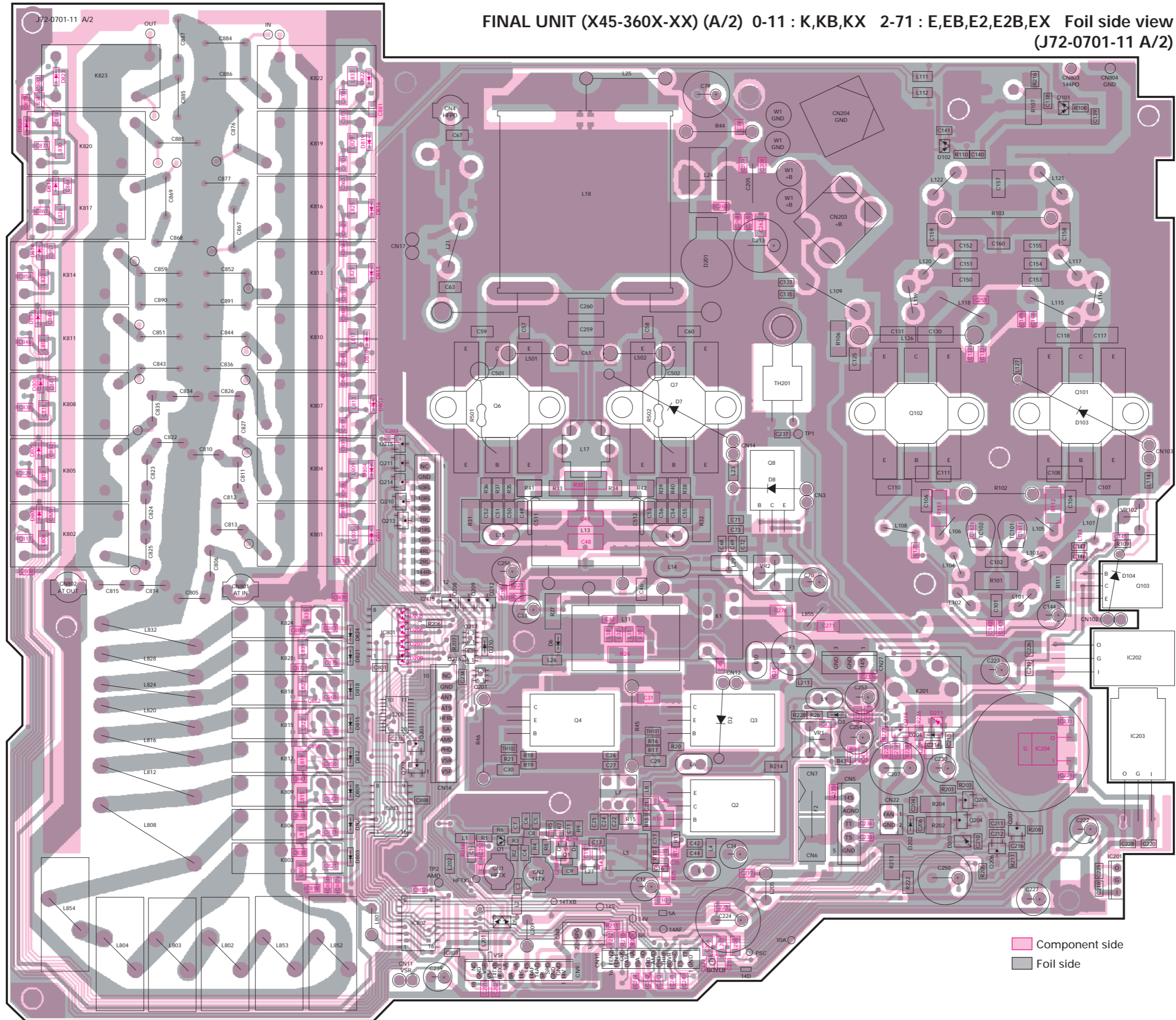


Component side  
Foil side

Downloaded by  
RadioAmateur.EU

# TS-2000/X, TS-B2000 PC BOARD VIEWS

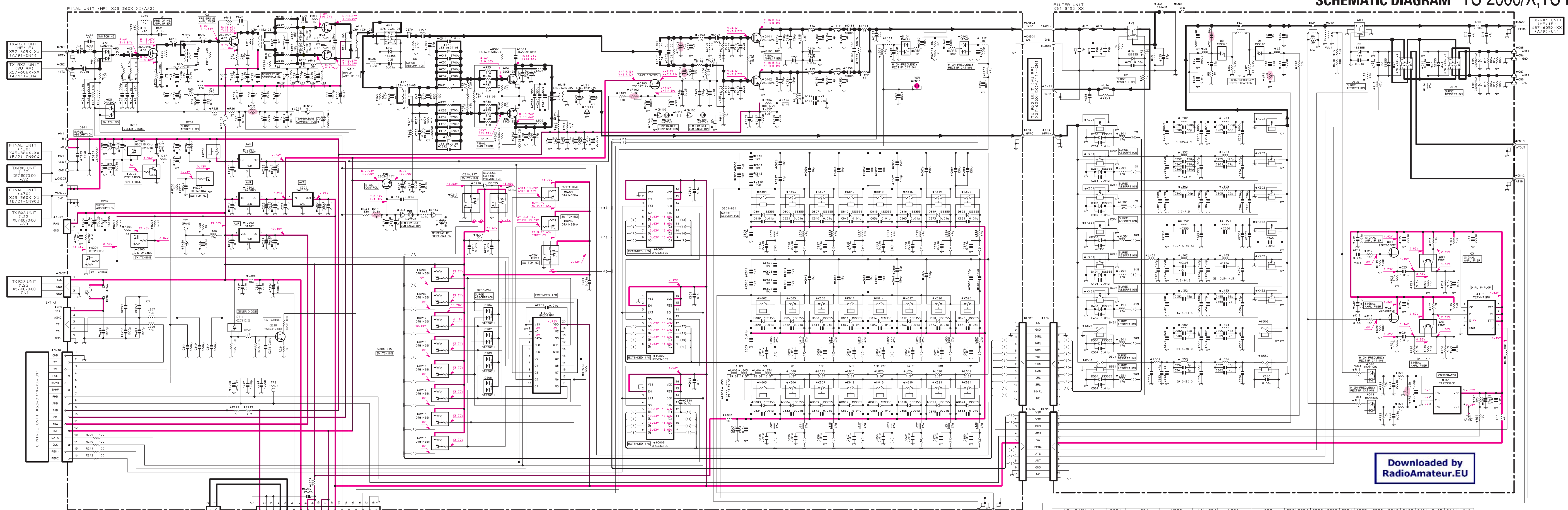
FINAL UNIT (X45-360X-XX) (A/2) 0-11 : K,KB,KX 2-71 : E,EB,E2,E2B,EX Foil side view (J72-0701-11 A/2)



Component side  
Foil side

Note : Components marked with a dot (·) are parts of layer 1.

# SCHEMATIC DIAGRAM TS-2000/X, TS-B2000

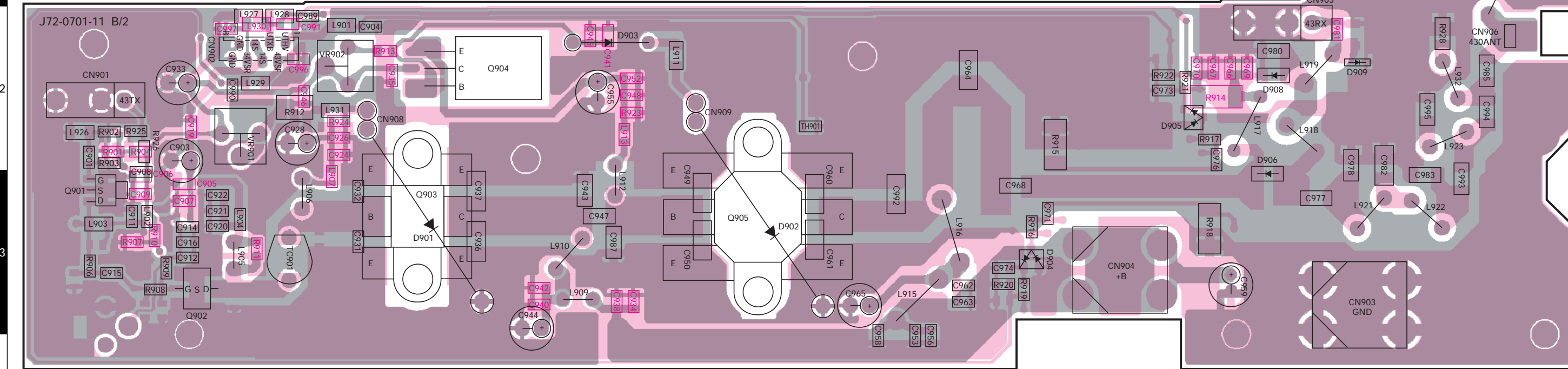


X45-360X-XX	R206	C272	C273	D1	:DAN235E	D101, 102	:MA742	Q1	:2SK2596	Q201, 216, 217	:IMD2A	Q218: 2SC2412(KR)	IC201	:TA7808F	X51-315X-XX	D351	K351	K352	L16	L351	L352	L353	C38	C351	C353	C355	C356	C357	C358	C362	C403	C406	C407	C411	R41							
0.11 KKBXX	10	NO	NO	D2	:MA2C029W-B	D201	:ZSHMA27	Q2	:2SK1971	Q202, 203	:DTA143EKA	IC202	:TA7808S	D351	NO	NO	NO	NO	NO	NO	NO	NO	NO	NO	NO	NO	NO	NO	NO	NO	NO	NO	NO	NO	NO	NO	NO					
2.71 E,EB,EZ,E2B,EX	NO	1000P	1000P	D3	:6.202, 204, 210, 801-824	D203	:02CZ16X(07)	Q3, 4	:2SC1972-26	Q204, 205	:DA101	IC203	:DA101	D351	1S5355	S76-0423-05	S76-0423-05	S76-0423-05	27n	47u	L39: 1221-05	L39: 1221-05	33p	82p	47p	47p	47p	100p	120p	0.01u	120p	36p	27p	82p	NO	NO						
				D5	:DAN202K	D206-209	:DAP202U	Q6, 7	:2SC5125	Q206	:DTC114EKA	IC204	:TA7805F	D351	NO	NO	NO	NO	NO	NO	NO	NO	NO	NO	NO	NO	NO	NO	NO	NO	NO	NO	NO	NO	NO	NO	NO	NO				
				D7	:8.103, 104	MA27-B	D211	:02CZ12IZ	Q101, 102	:2SC2694	Q208-215	:DTB143EK	IC801-803	:UPD6345GS	D351	NO	NO	NO	NO	NO	NO	NO	NO	NO	NO	NO	NO	NO	NO	NO	NO	NO	NO	NO	NO	NO	NO	NO				
														D2	:5-7, 201, 251, 301, 351, 401, 451, 501, 551	D3	:1S5348	Q1, 2	:2SK208(GR)	IC1	:TA755393F	D351	NO	NO	NO	NO	NO	NO	NO	NO	NO	NO	NO	NO	NO	NO	NO	NO	NO	NO	NO	
														D8	:351, 401, 451, 501, 551	D9	:1S5355	Q3, 4	:FMW1	IC2	:TC7WH74FU	D351	NO	NO	NO	NO	NO	NO	NO	NO	NO	NO	NO	NO	NO	NO	NO	NO	NO	NO	NO	NO

Downloaded by RadioAmateur.EU

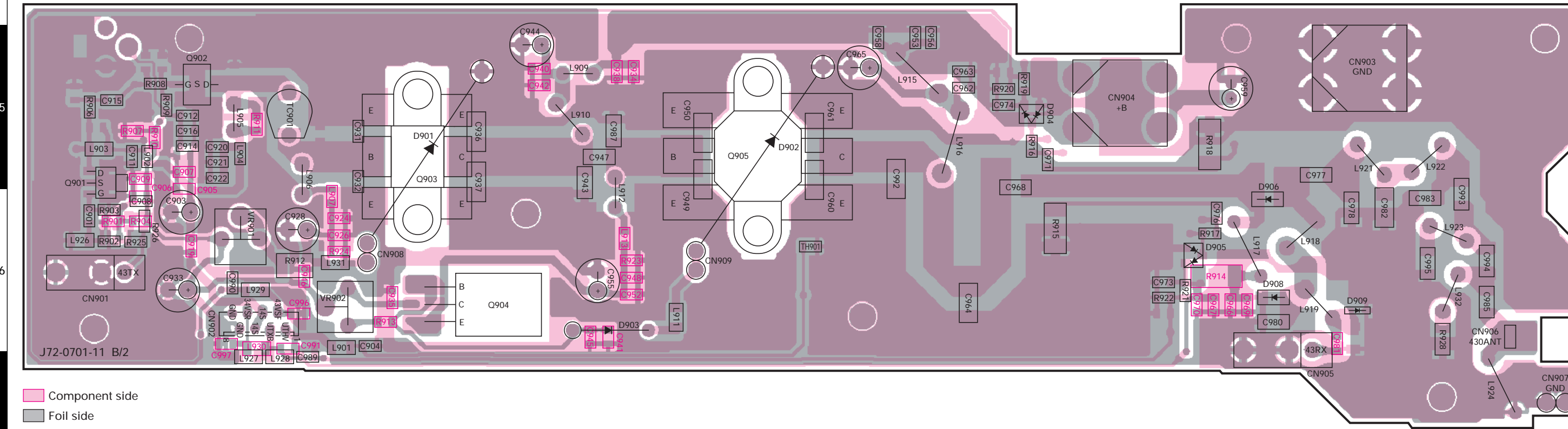
# TS-2000/X, TS-B2000 PC BOARD VIEWS / SCHEMATIC DIAGRAM

FIANL UNIT (X45-360X-XX) (B/2) 0-11 : K,KB,KX 2-71 : E,EB,E2,EB2,EX Component side view (J72-0701-11 B/2)



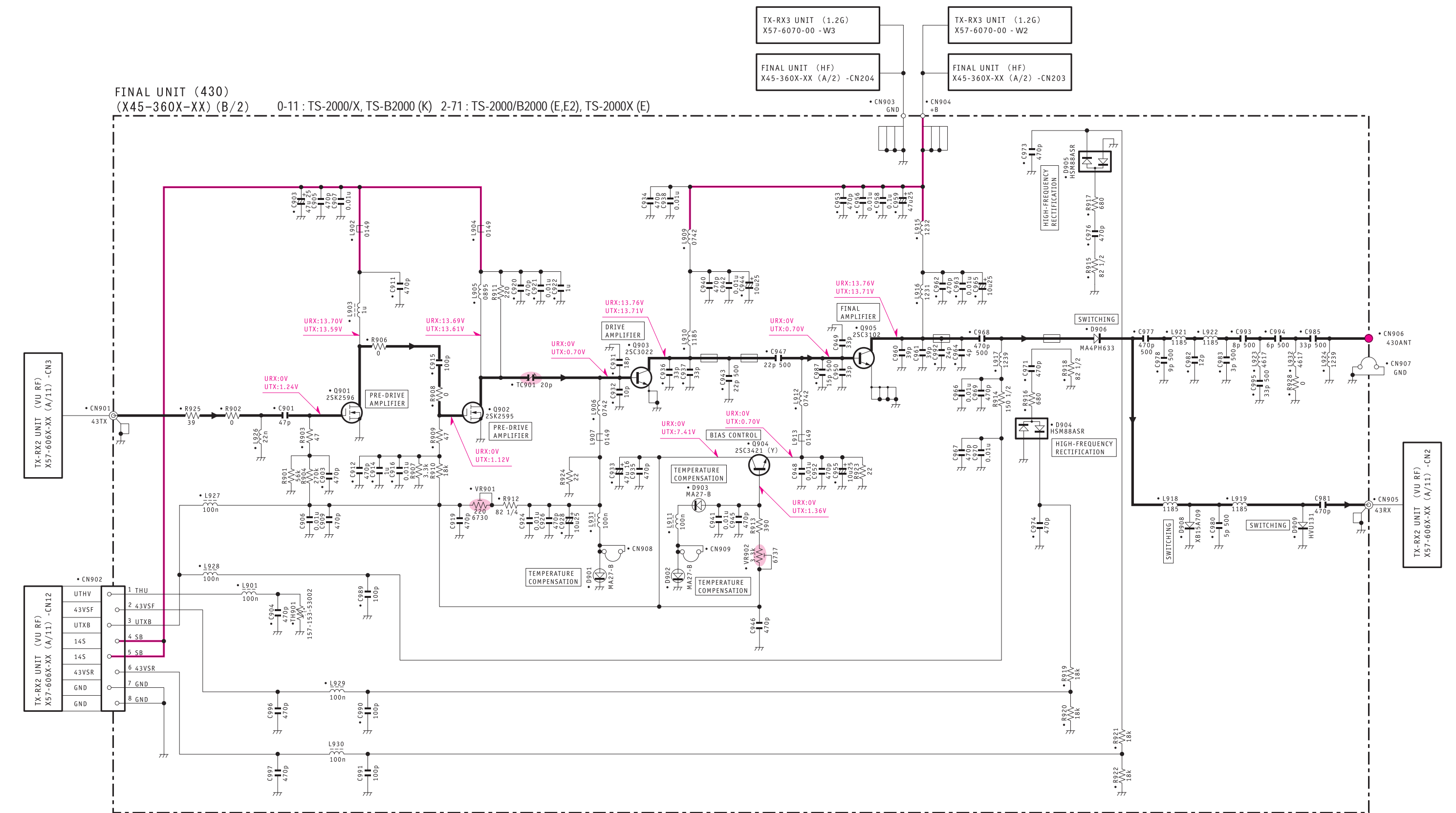
Downloaded by  
RadioAmateur.EU

FIANL UNIT (X45-360X-XX) (B/2) 0-11 : K,KB,KX 2-71 : E,EB,E2,EB2,EX Foil side view (J72-0701-11 B/2)



Component side  
Foil side

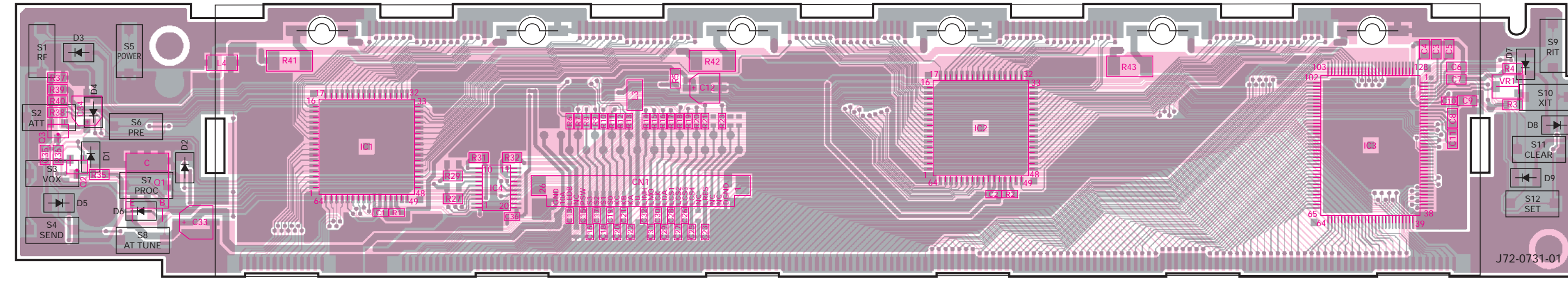
FINAL UNIT (430) (X45-360X-XX) (B/2) 0-11 : TS-2000/X, TS-B2000 (K) 2-71 : TS-2000/B2000 (E,E2), TS-2000X (E)



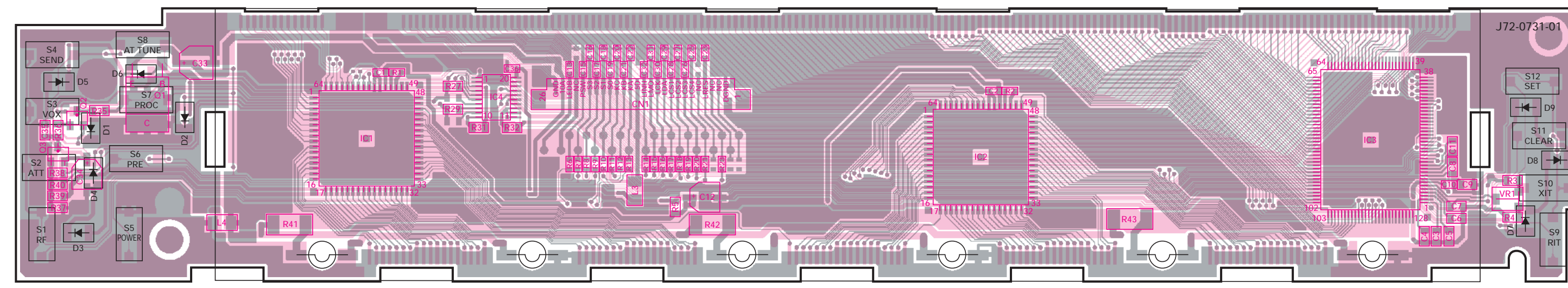
D901,902,903	:MA27-B	Q901	:2SK2596
D904,905	:HSM88ASR	Q902	:2SK2595
D906	:MA4PH633	Q903	:2SC3022
D908	:XB15A709	Q904	:2SC3421(Y)
D909	:HVU131	Q905	:2SC3102

Note : Components marked with a dot (.) are parts of layer 1.

DISPLAY UNIT (X54-3320-00) Component side view : K,KX,E,E2,EX (J72-0731-01)



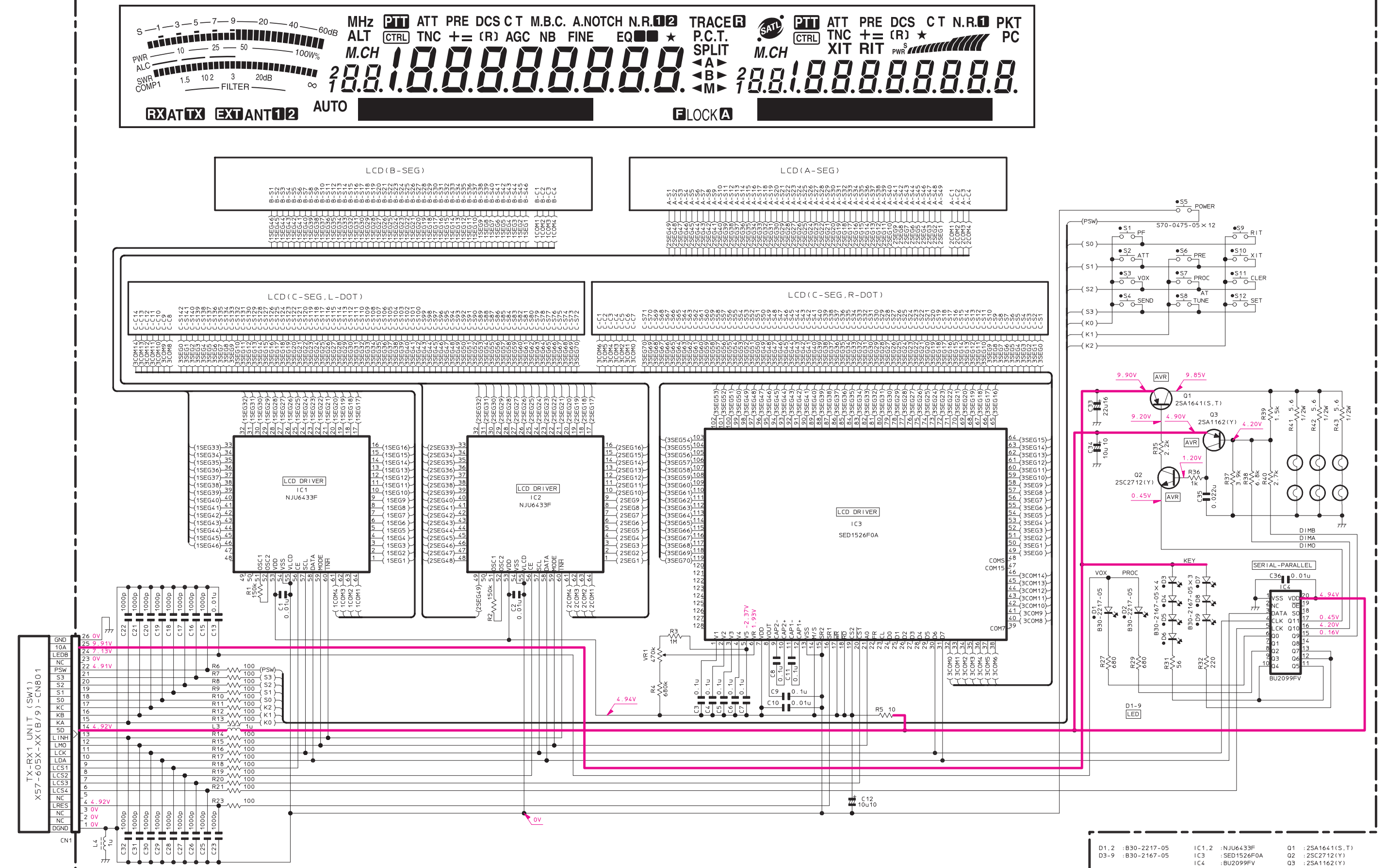
DISPLAY UNIT (X54-3320-00) Foil side view : K,KX,E,E2,EX (J72-0731-01)



Component side  
Foil side

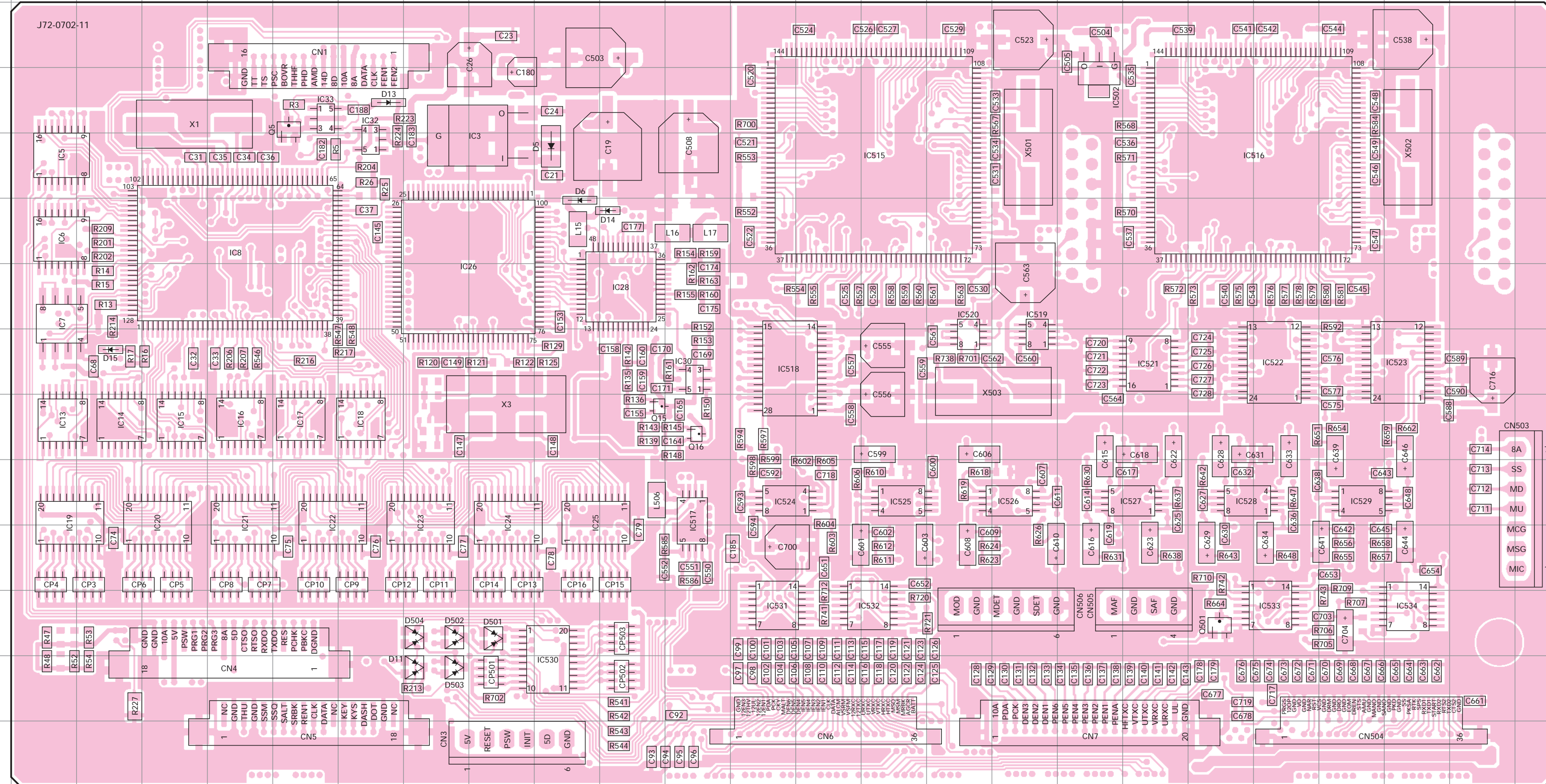
Downloaded by  
RadioAmateur.EU

DISPLAY UNIT X54-3320-00



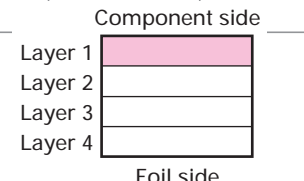
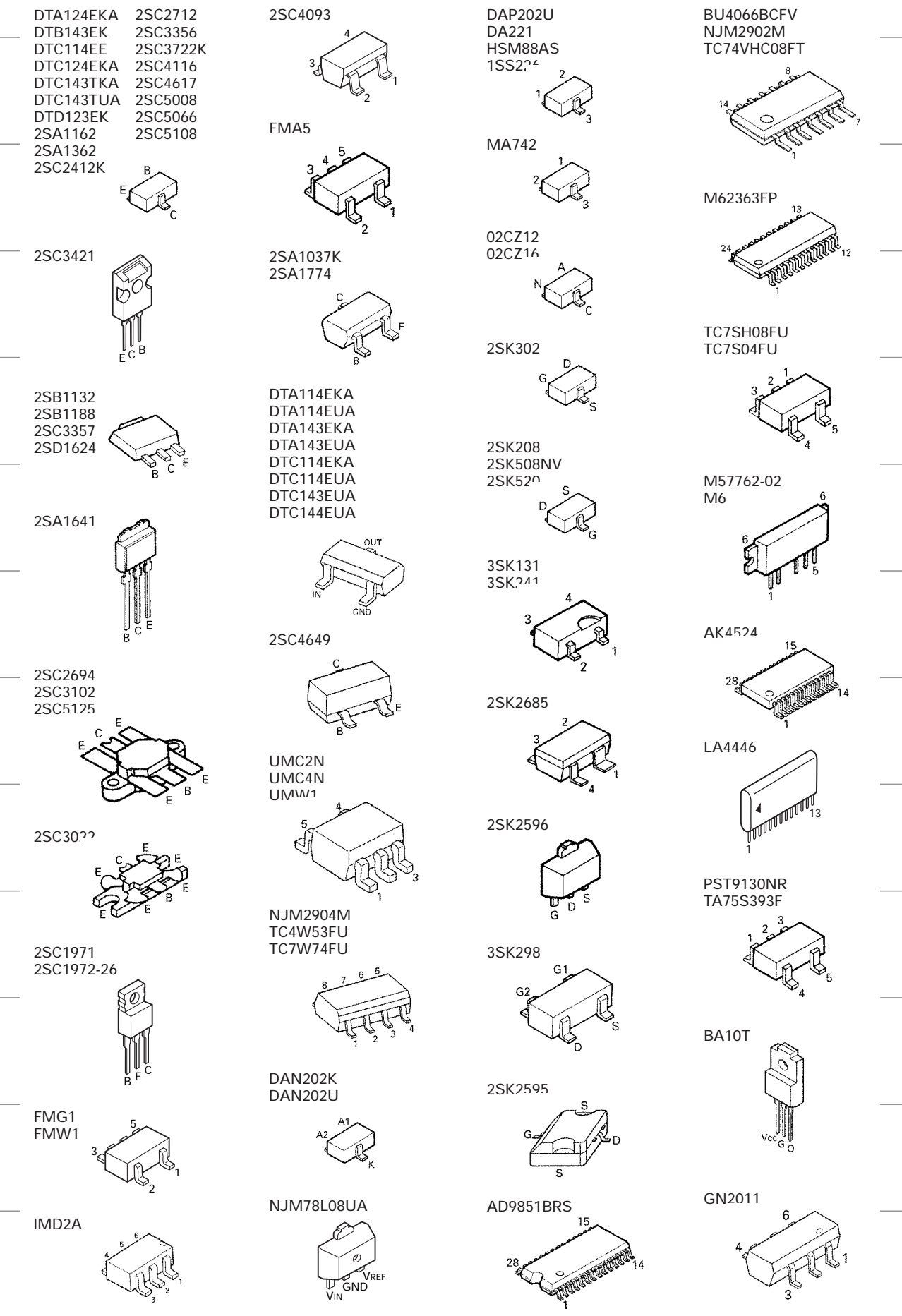
# TS-2000/X, TS-B2000 PC BOARD VIEWS

## CONTROL UNIT (X53-391X-XX) 0-11 : K,KB,KX 2-71 : E,EB,EX 2-72 : E2,E2B Component side view (J72-0702-11)



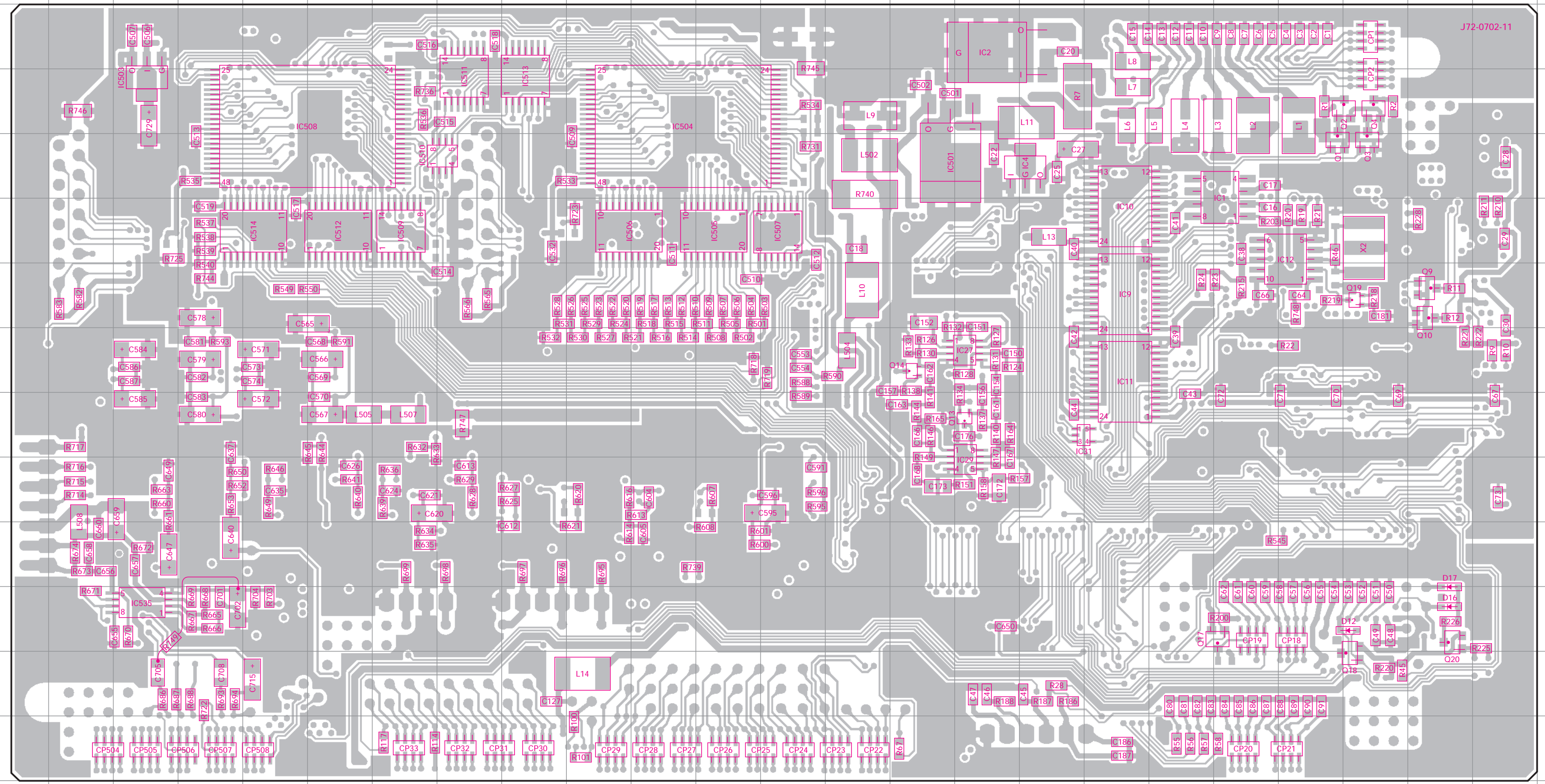
Ref No.	Address	Ref No.	Address
IC3	4J	IC520	7Q
IC5	4C	IC521	7T
IC6	5C	IC522	7V
IC7	6C	IC523	7X
IC8	5F	IC524	9N
IC13	8C	IC525	9P
IC14	8D	IC526	9R
IC15	8E	IC527	9T
IC16	8F	IC528	9U
IC17	8G	IC529	9W
IC18	8H	IC530	12K
IC19	9C	IC531	11N
IC20	9E	IC532	11P
IC21	9F	IC533	11V
IC22	9G	IC534	11X
IC23	9I	Q5	3G
IC24	9J	Q15	8L
IC25	9K	Q16	8M
IC26	6J	Q501	11U
IC28	6L	D5	4K
IC30	7M	D6	5K
IC32	4H	D11	12I
IC33	3G	D13	3H
IC502	3S	D14	5L
IC515	4P	D15	7D
IC516	4V	D501	11J
IC517	9M	D502	11I
IC518	7N	D503	12I
IC519	7R	D504	11I

Downloaded by  
RadioAmateur.EU



CONTROL UNIT (X53-391X-XX) 0-11 : K,KB,KX 2-71 : E,EB,EX 2-72 : E2,E2B Foil side view (J72-0702-11)

Ref No.	Address
IC1	4W
IC2	2S
IC4	4T
IC9	6U
IC10	5U
IC11	7U
IC12	5X
IC27	7S
IC29	9S
IC31	8T
IC501	4R
IC503	3F
IC504	3N
IC505	5O
IC506	5M
IC507	5P
IC508	3I
IC509	5J
IC510	4K
IC511	3K
IC512	5I
IC513	3L
IC514	5H
IC535	11F
Q1	4X
Q2	3Y
Q3	4Y
Q4	3Y
Q9	6Z
Q10	6Z
Q13	8S
Q14	7R
Q17	11W
Q18	12Y
Q19	6Y
Q20	11Z
D12	11Y
D16	11Z
D17	10Z



J72-0702-11

Component side

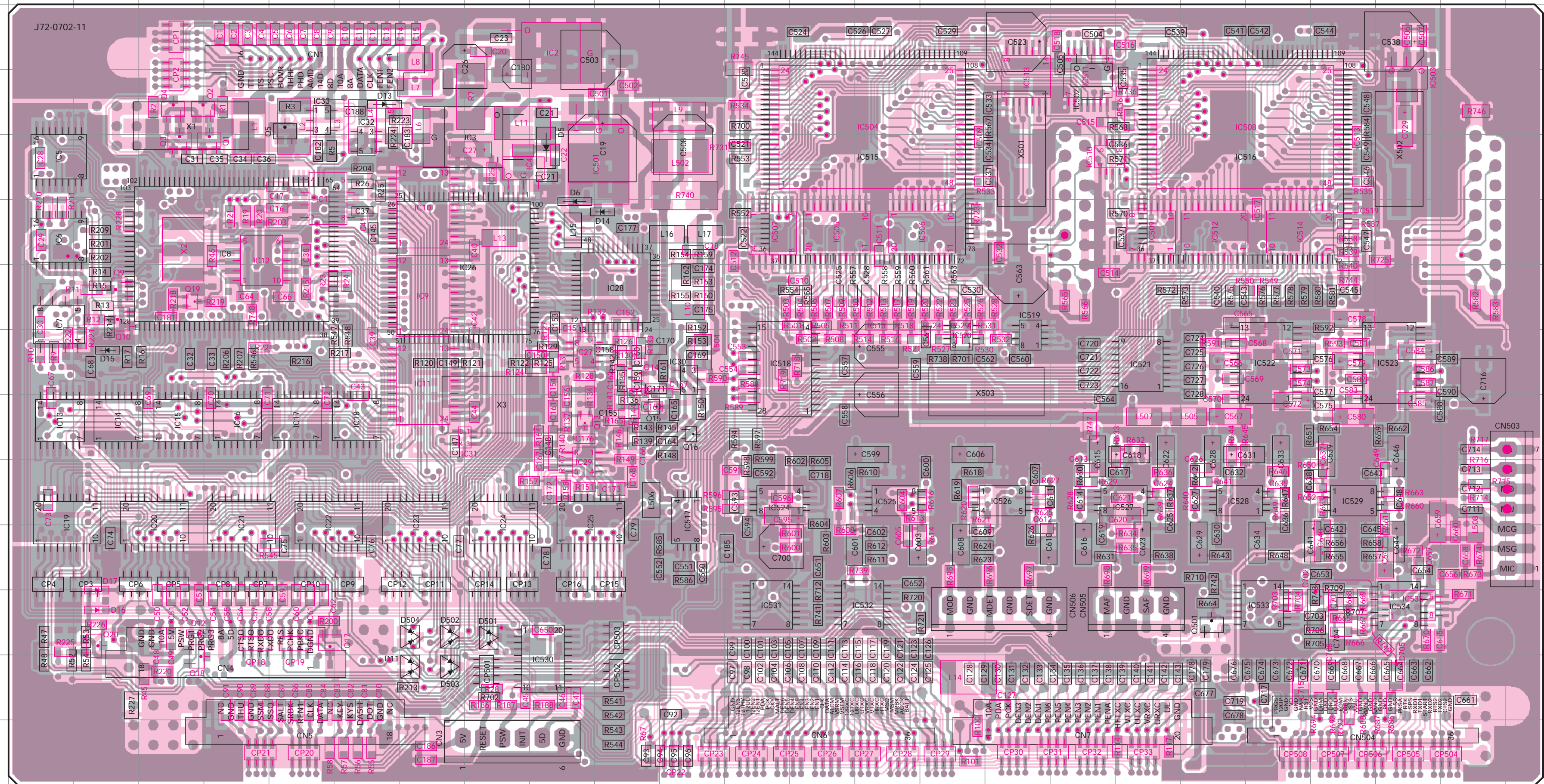
Layer 1	
Layer 2	
Layer 3	
Layer 4	

Foil side

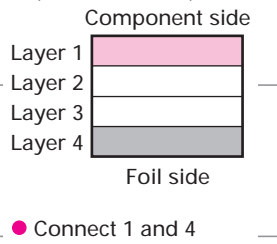


# TS-2000/X, TS-B2000 PC BOARD VIEWS

## CONTROL UNIT (X53-391X-XX) 0-11 : K,KB,KX 2-71 : E,EB,EX 2-72 : E2,E2B Component side view + Foil side (J72-0702-11)



Ref No.	Address	Ref No.	Address	Ref No.	Address
IC1	4G	IC501	4L	IC534	11X
IC2	2L	IC502	3S	IC535	11X
IC3	4J	IC503	3X	Q1	4F
IC4	4J	IC504	3P	Q2	3E
IC5	4C	IC505	5O	Q3	4E
IC6	5C	IC506	5Q	Q4	3E
IC7	6C	IC507	5N	Q5	3G
IC8	5F	IC508	3V	Q9	6D
IC9	6I	IC509	5T	Q10	6D
IC10	7I	IC510	4S	Q13	8K
IC11	5I	IC511	3S	Q14	7L
IC12	5F	IC512	5U	Q15	8L
IC13	8C	IC513	3R	Q16	8M
IC14	8D	IC514	5V	Q17	11G
IC15	8E	IC515	4P	Q18	12E
IC16	8F	IC516	4V	Q19	6E
IC17	8G	IC517	9M	Q20	11D
IC18	8H	IC518	7N	Q501	11U
IC19	9C	IC519	7R	D5	4K
IC20	9E	IC520	7Q	D6	5K
IC21	9F	IC521	7T	D11	12I
IC22	9G	IC522	7V	D12	11E
IC23	9I	IC523	7X	D13	3H
IC24	9J	IC524	9N	D14	5L
IC25	9K	IC525	9P	D15	7D
IC26	6J	IC526	9R	D16	11D
IC27	7K	IC527	9T	D17	10D
IC28	6L	IC528	9U	D501	11J
IC29	9K	IC529	9W	D502	11I
IC30	7M	IC530	12K	D503	12I
IC31	8J	IC531	11N	D504	11I
IC32	4H	IC532	11P		
IC33	3G	IC533	11V		

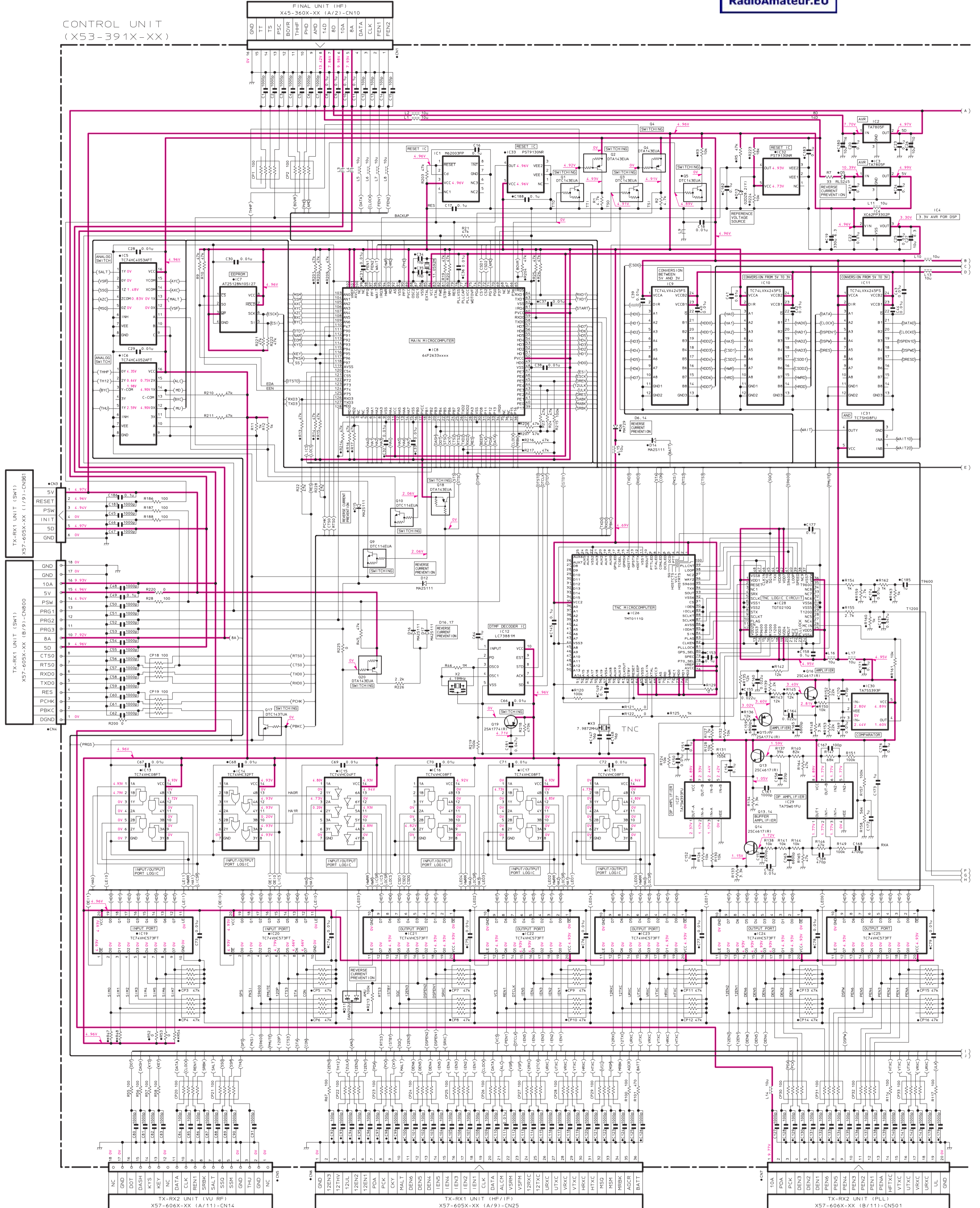


# TS-2000/X, TS-B2000 SCHEMATIC DIAGRAM

Downloaded by  
RadioAmateur.EU

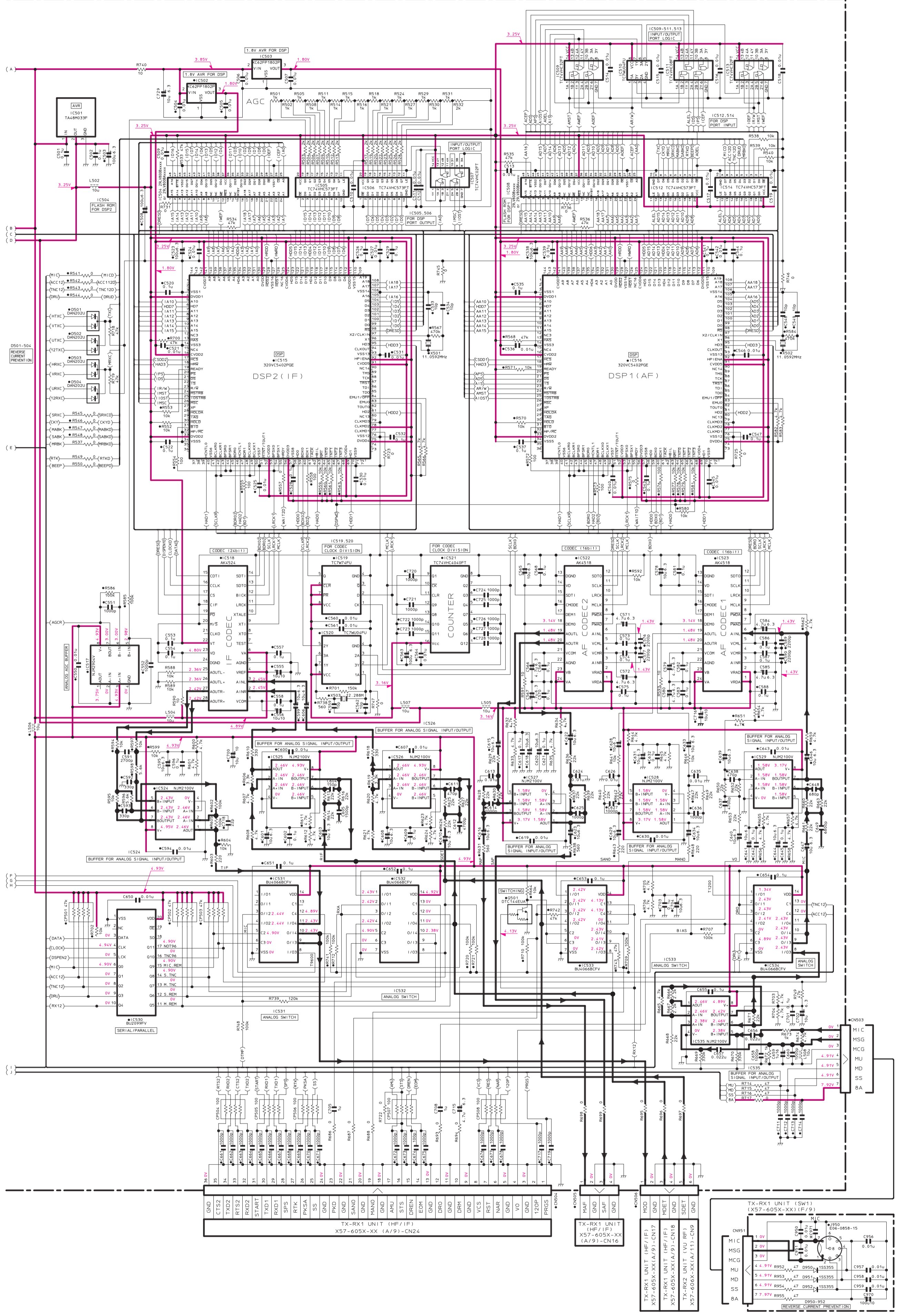
CONTROL UNIT  
(X53-391X-XX)

FINAL UNIT (HF)  
X45-360X-XX (A/2)-CN10



X53-391X-XX	R47	R48	R54	D5	:RLS245	Q1, 3, 5	:DTC143EUA	IC1	:M2003FP	IC9-11	:TC74LVX245FS	IC27	:TA75W393FU	IC502, 503	:XC62FP1802P	IC510, 520	:TC7WU04FU	IC524-529, 535	:NJM2100V
0-11	K,KB,XX	NO	NO	D6	:MA729	Q2, 4, 18, 20	:DTA143EUA	IC2, 3	:TA7805F	IC12	:TG02100	IC28	:TA75W01FU	IC504	:29LV800Bxxxx or	IC515, 516	:320VCS402PGE	IC530	:BU2099FV
2-71	E,EB,EX	NO	0	D11, 501-504	:DAN202U	Q9, 10	:DTC114EUA	IC4	:XC62FP3302P	IC13, 16-18, 511	:TC74VHC08FT	IC29	:TA75W01FU	IC507	:29LV800Bxxxx or	IC517	:NJM2904V	IC531-534	:BU4066BCFV
2-72	E2,E2B	NO	0	D12, 14-17	:MA25111	Q13, 14, 16	:TC74VHC32FT	IC5	:TC74VHC03AFT	IC14	:TC74VHC32FT	IC30	:TA75S393FU	IC508	:29LV800Bxxxx or	IC518	:AK4524		
				D13	:02D208, 2(Y)	Q15, 19	:2SA1774(R)	IC6	:TC74HC4052AFT	IC15	:TC74VHC04FT	IC31	:TC7SH08FU	IC509	:29LV800Bxxxx or	IC519	:TC7W42FU		
				Q17	:DTC143TUA	Q15, 17	:DTC143TUA	IC7	:AT25128N105127	IC19-25, 505, 506, 512, 514	:TC74VHC573FT	IC32, 33	:PST1930NR	IC521	:29LV800Bxxxx or	IC521	:TC7VHC40A0FT		
				Q501	:02D208, 2(Y)	Q501	:DTC144EUA	IC8	:64F2633xxx	IC26	:TMT01110	IC501	:TA48M033F	IC509, 513	:TC74VHC32FT	IC522, 523	:AK4518		

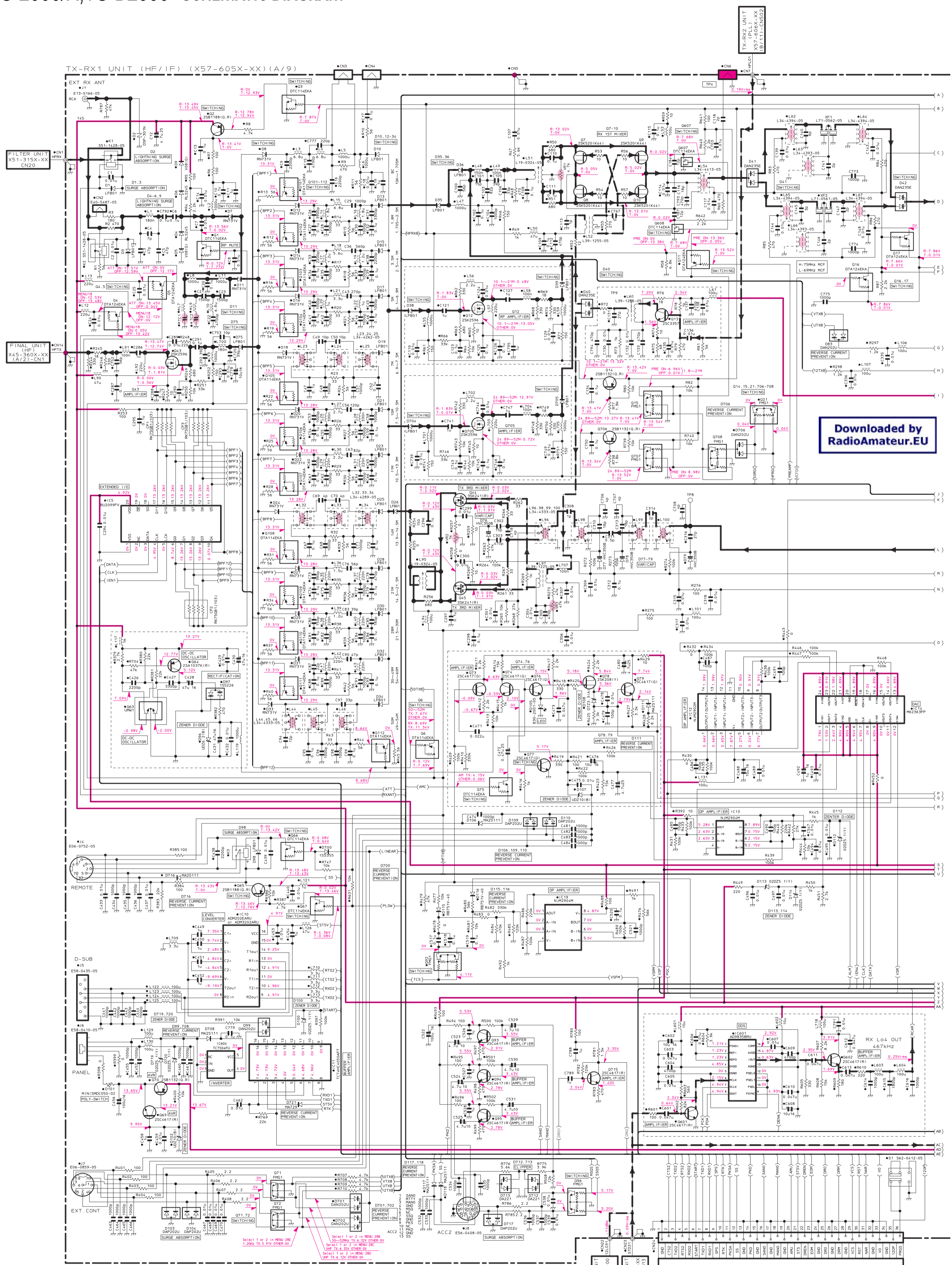
Note : Components marked with a dot (·) are parts of layer 1.



D950-952 : 1SS355

X57-605X-XX (F8)	C971
0-112 KB	NO
0-12 KB	NO
2-71 E,E2,EX	0.47u
2-72 EB,E2B	0.47u

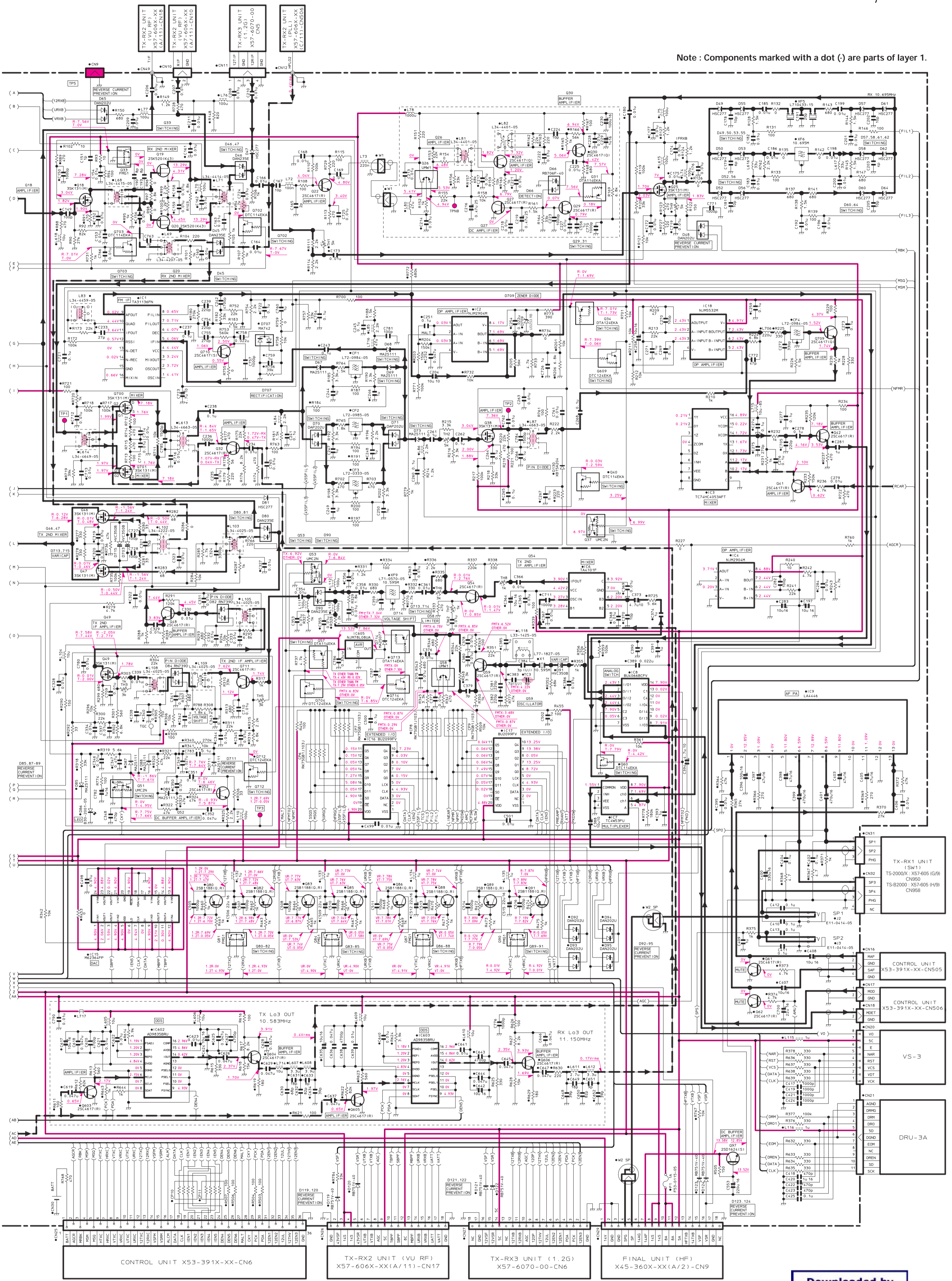
# TS-2000/X, TS-B2000 SCHEMATIC DIAGRAM



Downloaded by  
RadioAmateur.EU

- |  |           |                                  |           |                |   |                |                                  |              |
|--|-----------|----------------------------------|-----------|----------------|---|----------------|----------------------------------|--------------|
| D1, 3, 10, 13, 15, 17, 19, 21, 23, 25, 26, 28, 30, 32, 34-36, 38, 39, 39, 75, 98, 704, 705 | -LFB01    | D70, 71, 103, 104, 109, 110, 717 | D700      | 1SS355         | 01, 3, 40, 60, 66, 67, 75, 607, 608, 702, 703                                 | DTC114EKA      | 026, 58, 63                      | UHM1         |
| D4, 6  | DSP-301N  | D76, 79, 91, 703, 715            | D707      | MA742          | 02, 65, 80, 82, 83, 85, 86, 88, 89, 91  | 2S81188 (0, R) | 028, 30, 73, 74, 76, 77, 79, 709 | 2SC4617 (0)  |
| D5, 9  | RLS245    | D82, 84                          | D709      | UDZ53, 9B      | 04, 5, 11, 16, 17, 34   | DTA124EKA      | 037, 51, 53                      | 1UMC2N       |
| D7, 8, 11, 12, 14, 16, 18, 20, 22, 24, 27, 29, 31, 33                                      | V081 (R)  | D86, 105                         | D712, 713 | DA221          | 06, 31, 57, 101-112, 713  | DTA114EKA      | 044, 45                          | 3SK241 (R)   |
| D40, 41, 42, 45, 46, 80, 90  | DN731V    | D96                              | D714      | MA25077        | 07-10   | 2SK520 (K44)   | 064                              | 2SA1037K (R) |
| D47, 49, 50, 52, 53, 55-58, 60-62, 64, 81  | DAN235E   | D97                              | D721      | MA729          | 012, 43, 705  | 2SK3557        | 078                              | 2SK208 (Y)   |
| D48, 65, 83, 92-95, 99, 701, 702, 706  | HSC277    | D100, 112-114, 719, 720          | D101      | MINI5MDC050-02 | 013   | 2S81132 (0, R) | 097                              | 2SA1628 (Y)  |
| D66  | DAN202U   | D102, 107                        | D102, 107 | ST141 (R)      | 014, 70, 706  | 2S81132 (0, R) | 069, 704, 712, 714               | DTC124EKA    |
| D67-69, 73, 85, 87-89, 106, 111, 117, 118, 708, 711, 716                                   | RB706F-40 | D108                             | D108      | DTZ3, 3(A)     | 015, 21, 31, 71, 72, 81, 84, 87, 90, 92, 96, 707, 708                         | 3SK131 (M)     | 0710                             | 2TSC4617 (S) |
|  | MA25111   | D115, 116, 119-124               | D130      | RB751V-40      | 019, 20   | 2SK520 (K43)   |                                  |              |
|  |           |                                  |           | XB15A204       | 022, 27, 29, 32, 41, 42, 48, 52, 54, 59, 61, 62, 69, 93-95, 601-606, 711, 715 | 2SC4617 (R)    |                                  |              |

Note : Components marked with a dot (.) are parts of layer 1.

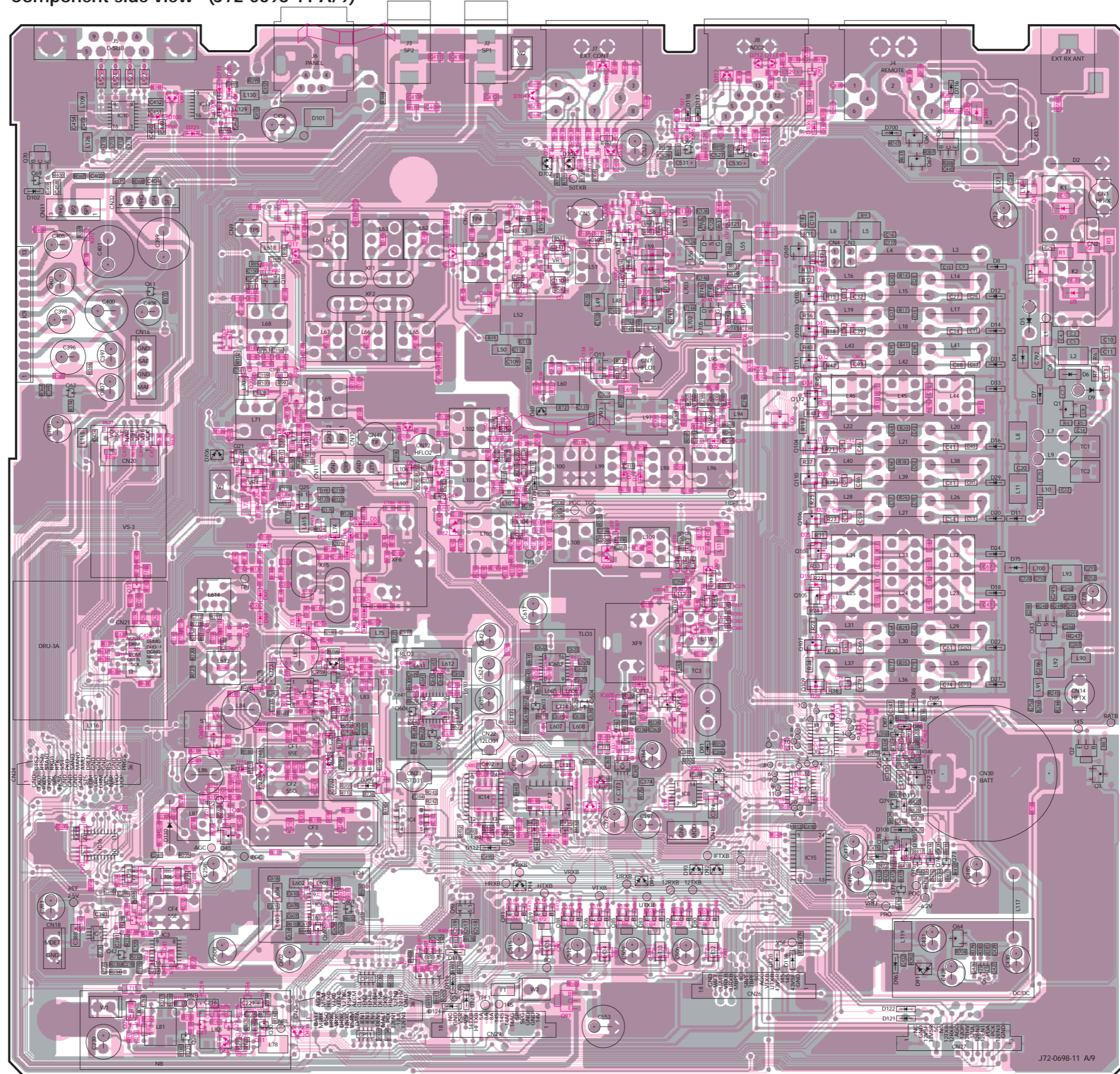


Downloaded by RadioAmateur.EU

IC1	:TA31136FN	IC8	:BU4066BCFV	IC15	:M62364FP
IC2	:4.13.19	IC9	:LA4446	IC18	:NJM5532M
IC3	:TC74HC053AFT	IC10	:ADM202EARU or ADM3202ARU	IC19	:AD9835BRU
IC5, 16, 17	:BU2099FV	IC11	:TC74HC050AFT	IC604	:TC7504FU
IC6	:TA4101F	IC12	:NJM2902M	IC605	:NJM78L08UA
IC7	:TC4539FU	IC14	:M62363FP		

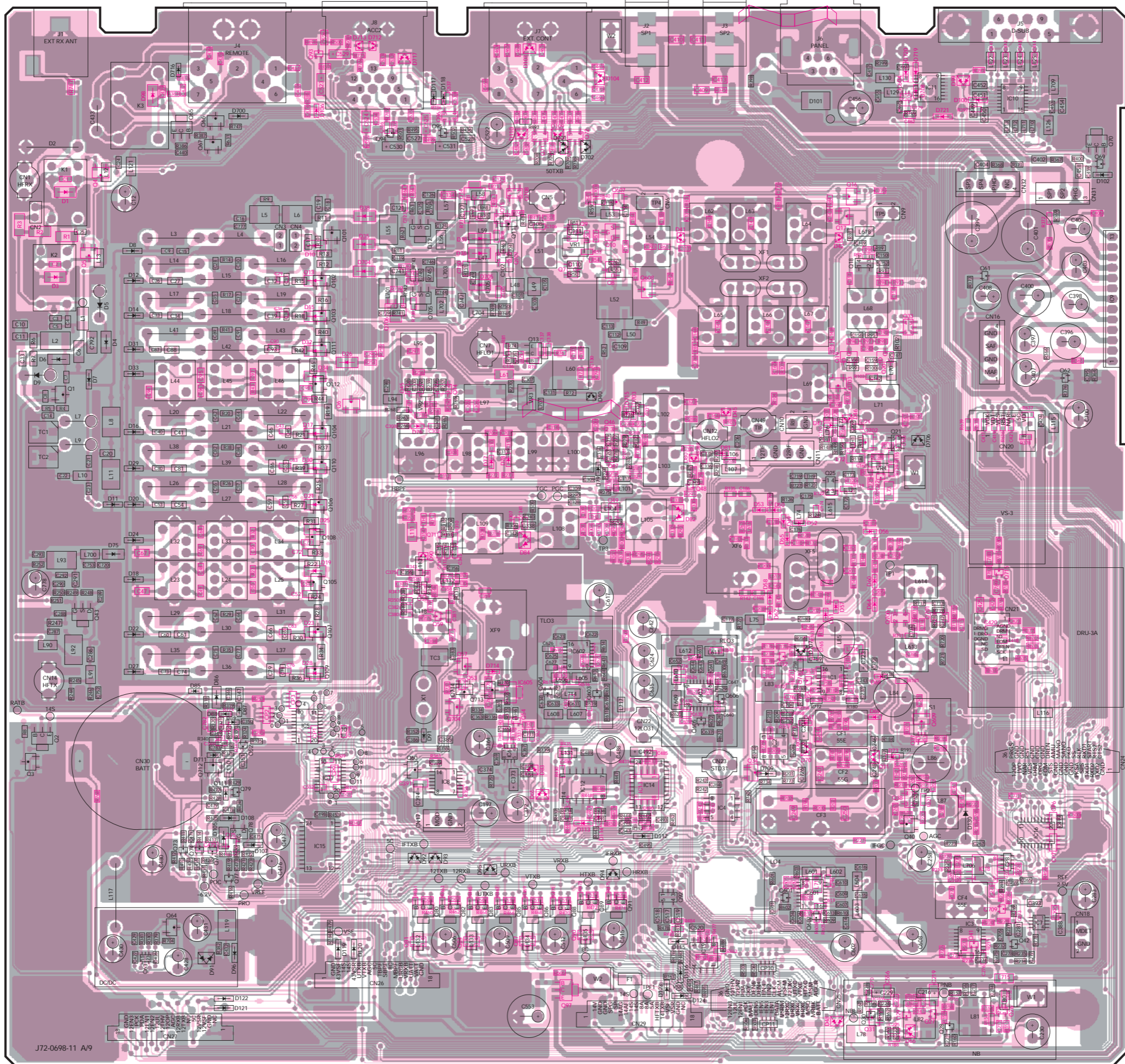
X57-605X-XX	TC1	TC2	L7	L9
0-11	K,KX	NO	NO	NO
0-12	KB	NO	NO	NO
2-71	E,E2,EX	C05-0344-05	C05-0344-05	6.8U
2-72	E,E2B	C05-0344-05	C05-0344-05	6.8U



Component side  
 Foil side

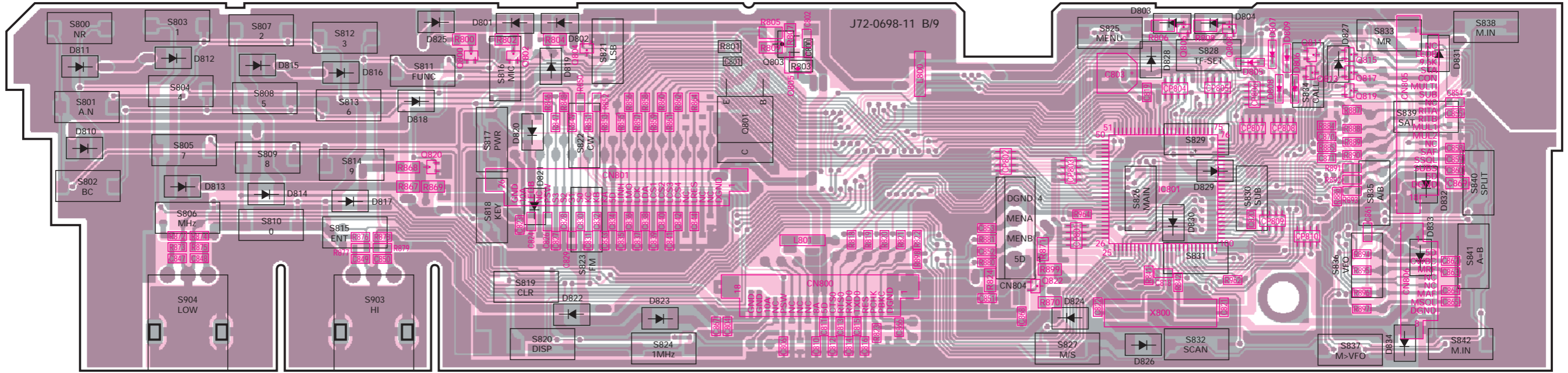
# TS-2000/X, TS-B2000 PC BOARD VIEWS

TX-RX 1 UNIT (X57-605X-XX) (A/9) 0-11 : K, KX 0-12 : KB 2-71 : E, E2, EX 2-72 : EB, E2B  
Foil side view (J72-0698-11 A/9)



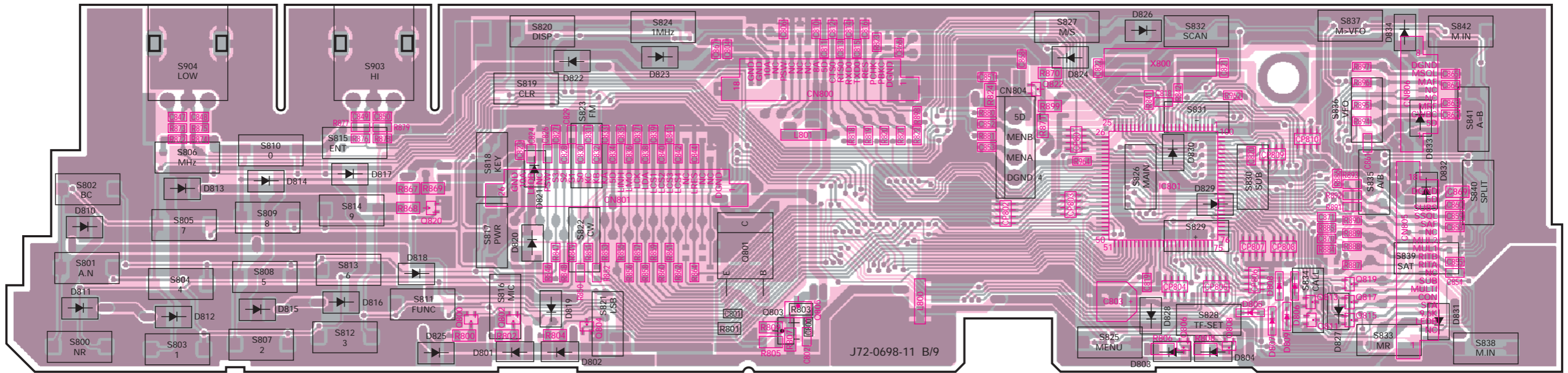
Component side  
Foil side

TX-RX 1 UNIT (X57-605X-XX) (B/9) 0-11 : K,KX 2-71 : E,E2,EX Component side view (J72-0698-11 B/9)



Downloaded by  
RadioAmateur.EU

TX-RX 1 UNIT (X57-605X-XX) (B/9) 0-11 : K,KX 2-71 : E,E2,EX Foil side view (J72-0698-11 B/9)



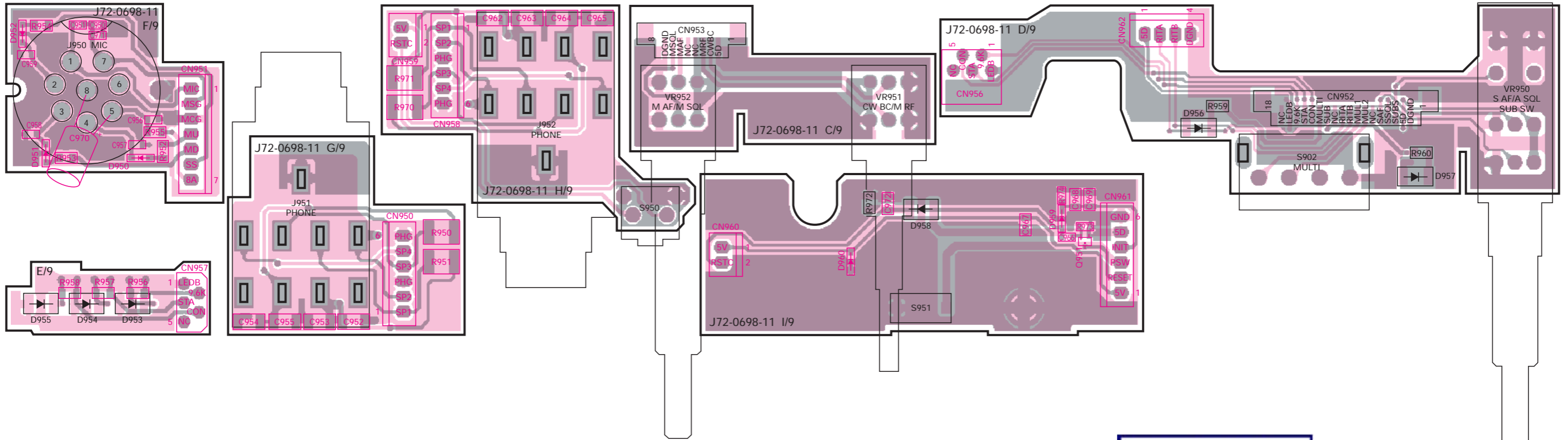
Component side  
Foil side



# TS-2000/X, TS-B2000 PC BOARD VIEWS

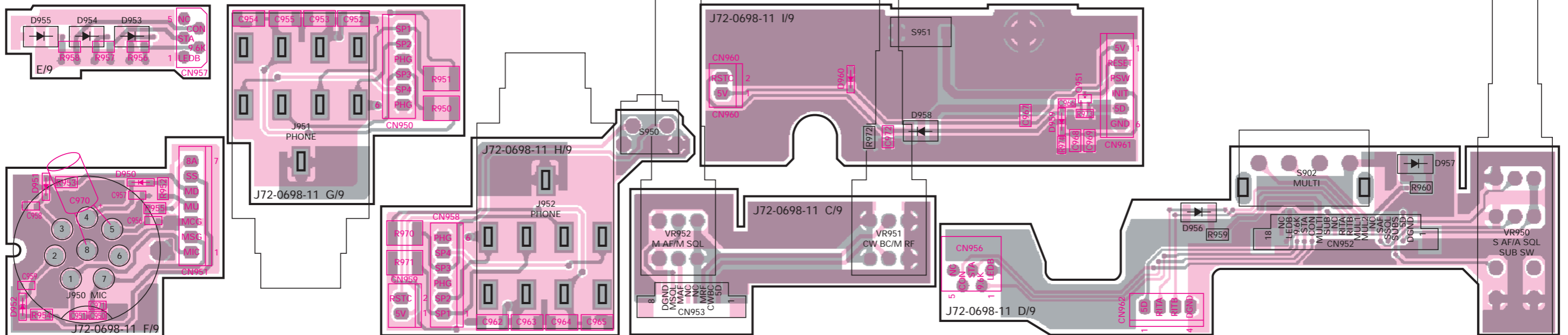
TS-2000/X : TX-RX 1 UNIT (X57-605X-XX) (C,D,E,F,G/9) 0-11 : K,KX 2-71 : E,E2,EX Component side view (J72-0698-11 C,D,E,F,G,H,I/9)  
 TS-B2000 : TX-RX 1 UNIT (X57-605X-XX) (F,H,I/9) 0-12 : KB 2-72 : EB,E2B

Component side  
 Foil side

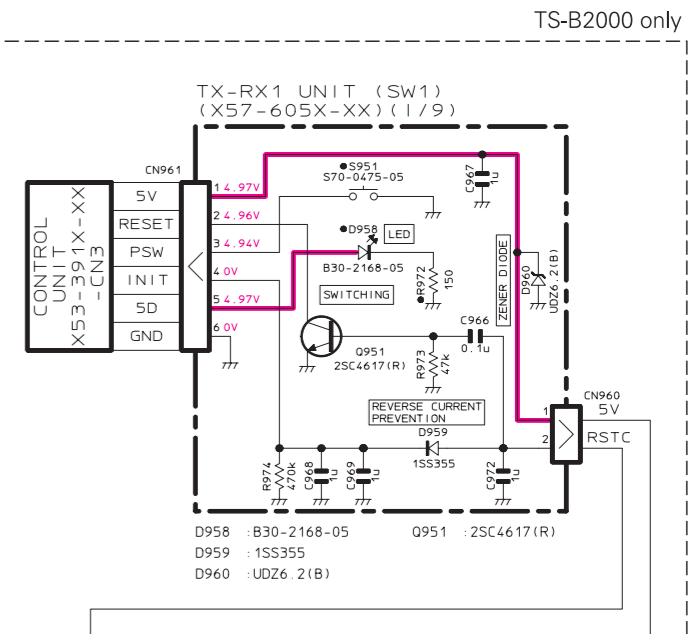
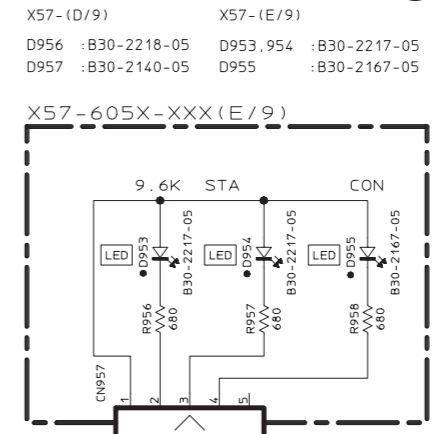
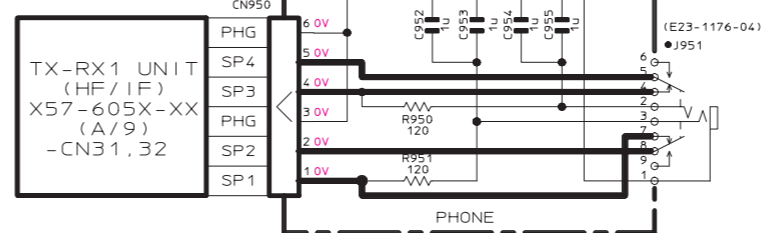
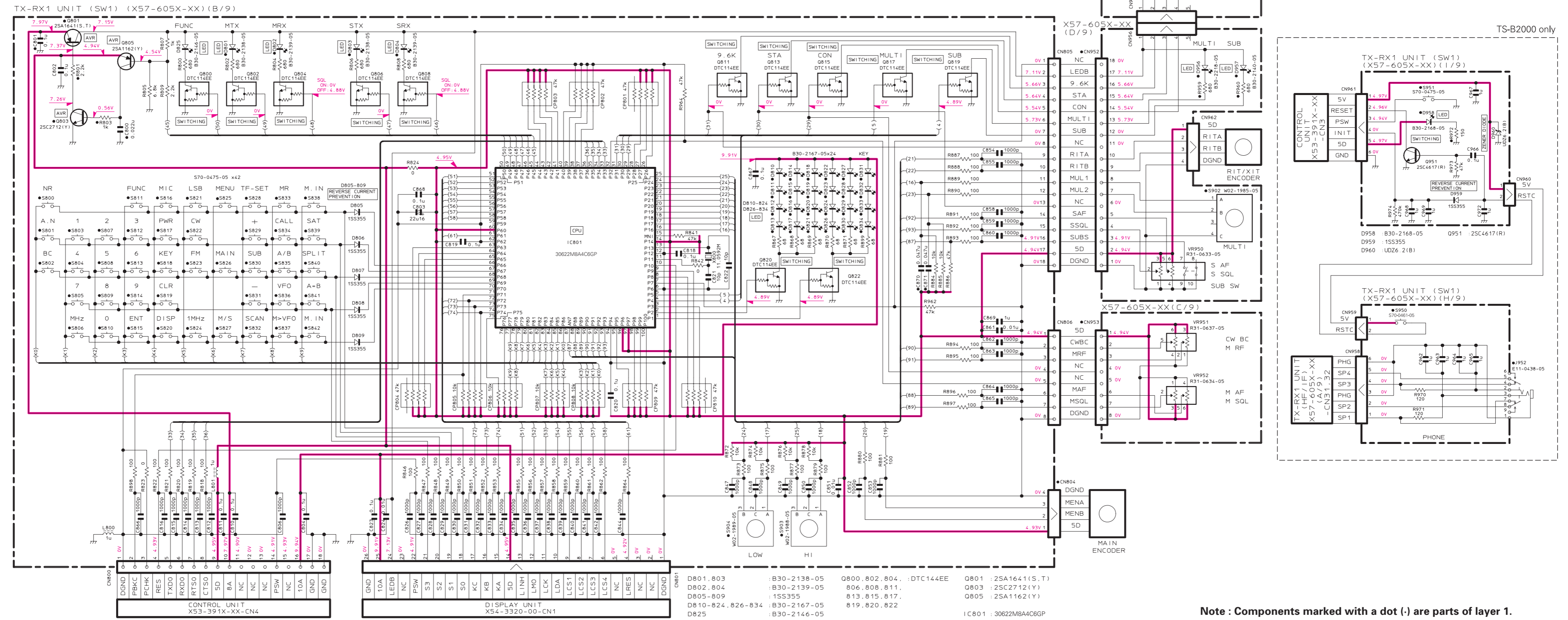


Downloaded by  
 RadioAmateur.EU

TS-2000/X : TX-RX 1 UNIT (X57-605X-XX) (C,D,E,F,G/9)  
 0-11 : K,KX 2-71 : E,E2,EX  
 TS-B2000 : TX-RX 1 UNIT (X57-605X-XX) (F,H,I/9) 0-12 : KB 2-72 : EB,E2B  
 Foil side view (J72-0698-11 C,D,E,F,G,H,I/9)



Downloaded by  
RadioAmateur.EU

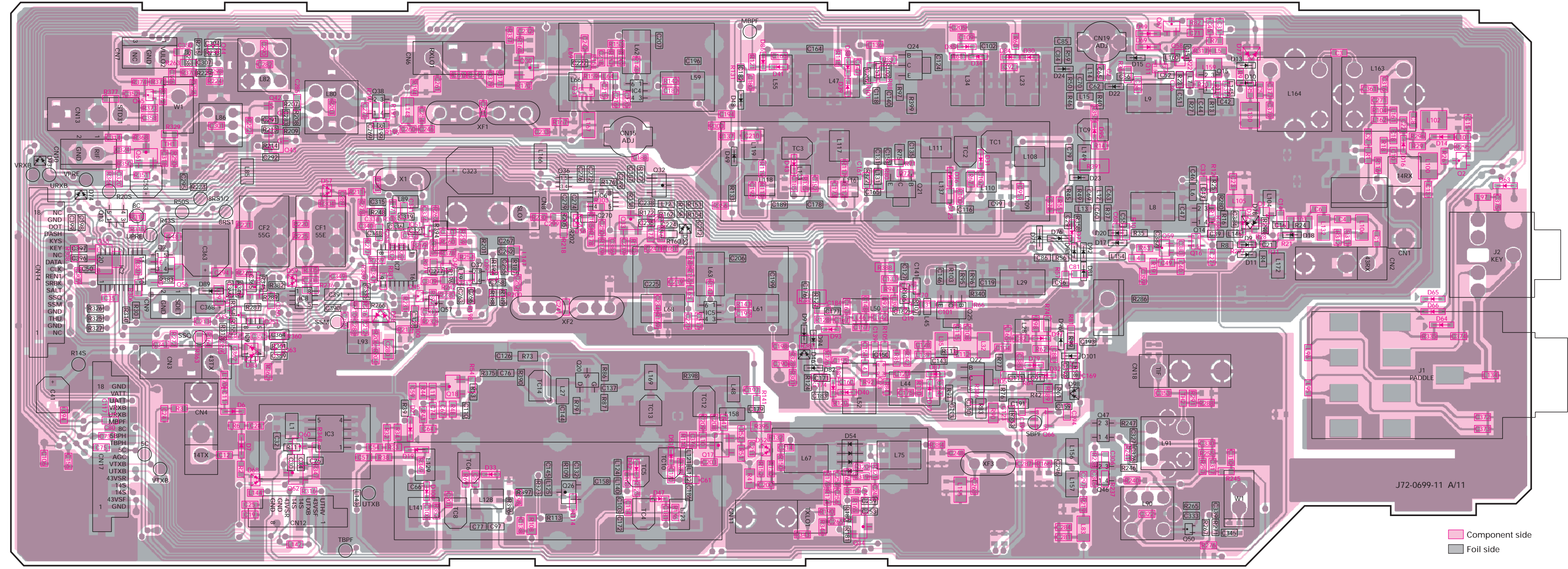


D801, 803	: B30-2138-05	Q800, 802, 804	: DTC144EE	Q801	: 2SA1641 (S, T)
D802, 804	: B30-2139-05	806, 808, 811		Q803	: 2SC2712 (Y)
D805-809	: 1S5355	813, 815, 817		Q805	: 2SA1162 (Y)
D810-824, 826-834	: B30-2167-05	819, 820, 822			
D825	: B30-2146-05			IC801	: 30622M8A4C6GP

Note : Components marked with a dot (·) are parts of layer 1.

# TS-2000/X, TS-B2000 PC BOARD VIEWS

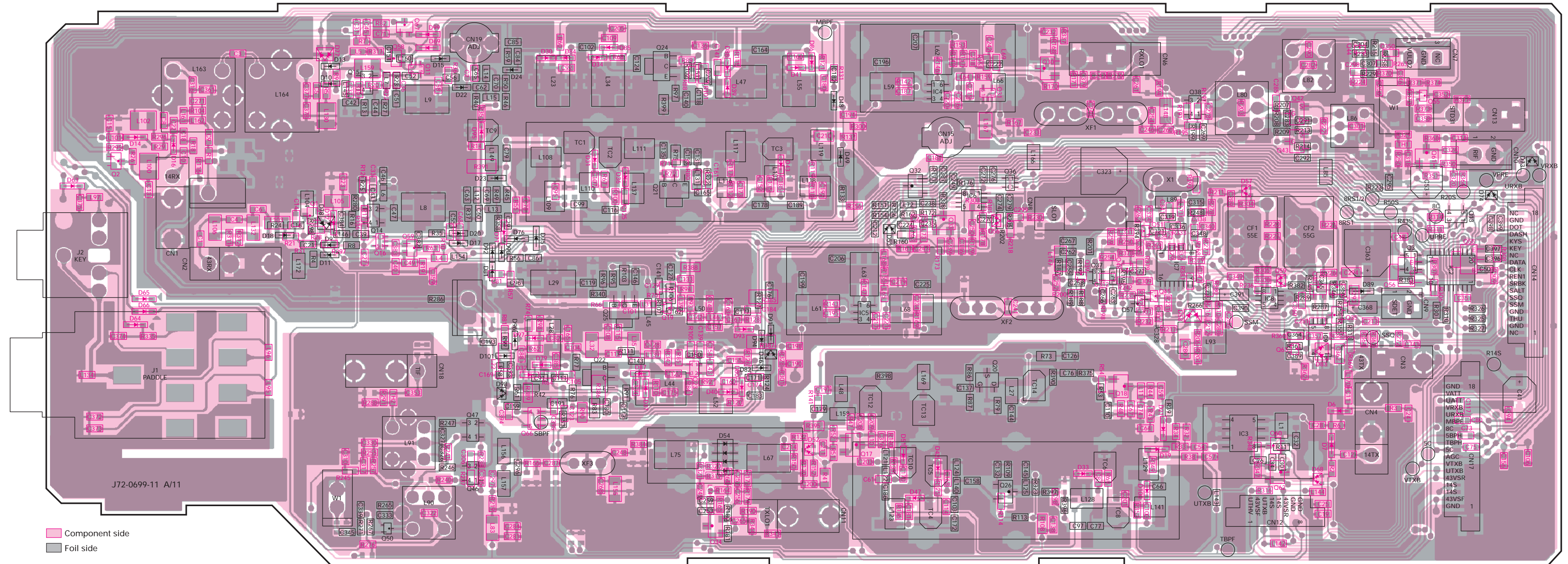
TX-RX 2 UNIT (X57-606X-XX) (A/11) 0-11 : K,KB,KX 2-71 : E,EB,E2,E2B,EX Component side view (J72-0699-11 A/11)



Component side  
Foil side

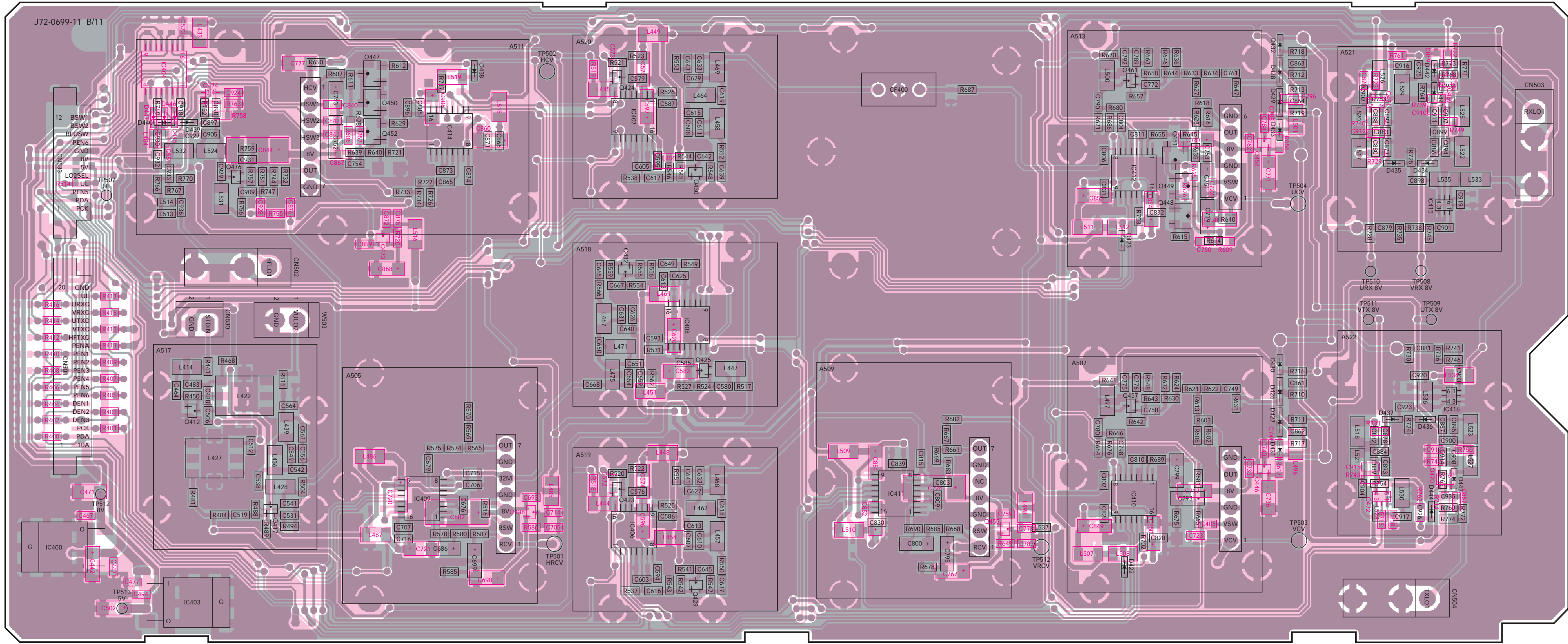
Downloaded by  
RadioAmateur.EU

TX-RX 2 UNIT (X57-606X-XX) (A/11) 0-11 : K,KB,KX 2-71 : E,EB,E2,E2B,EX Foil side view (J72-0699-11 A/11)



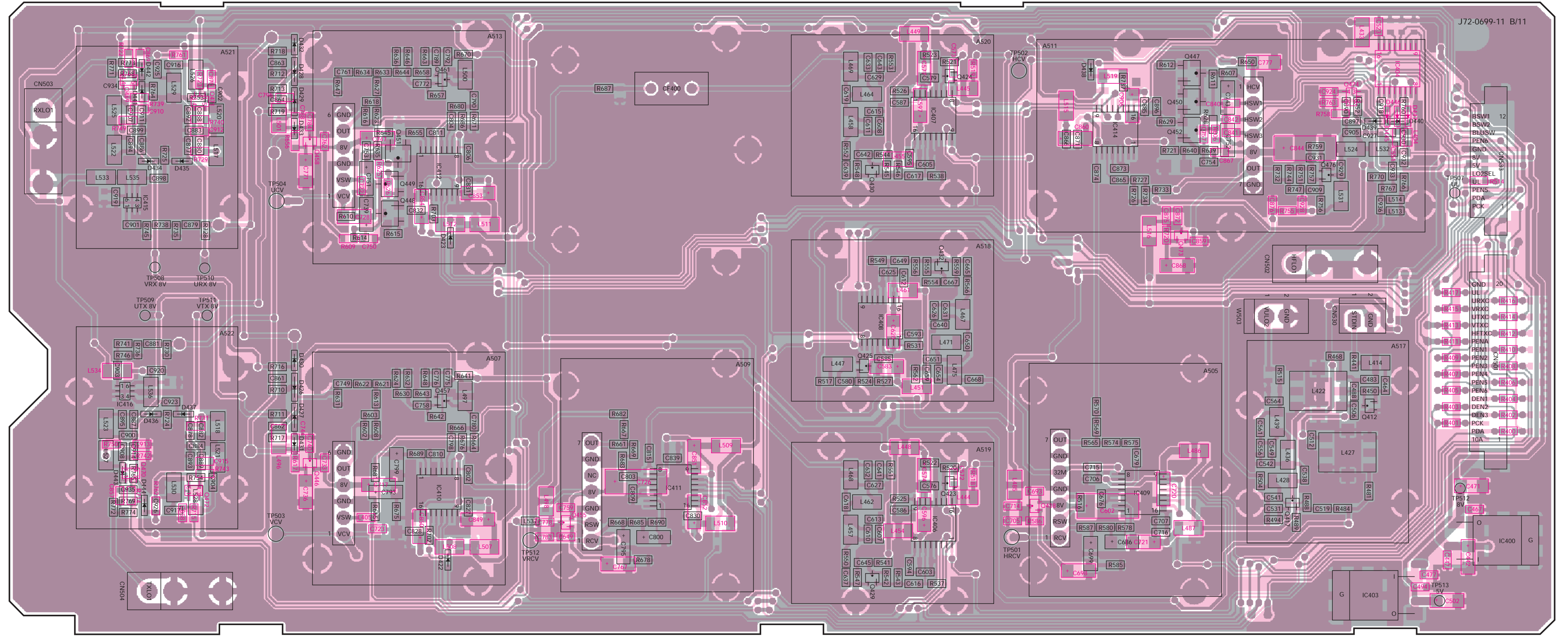
# TS-2000/X, TS-B2000 PC BOARD VIEWS

TX-RX 2 UNIT (X57-606X-XX) (B/11) 0-11 : K,KB,KX 2-71 : E,EB,E2,E2B,EX Component side view (J72-0699-11 B/11)



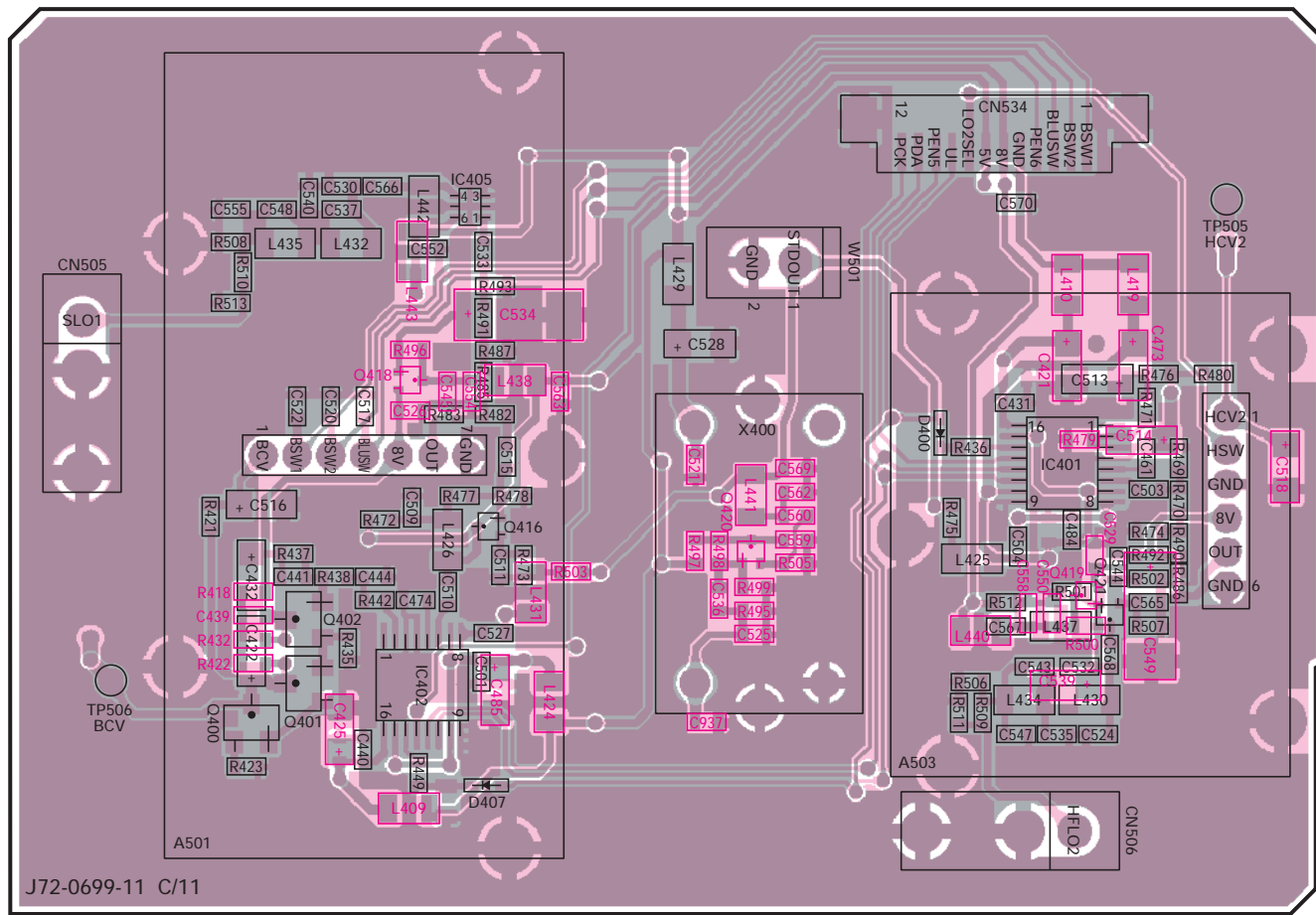
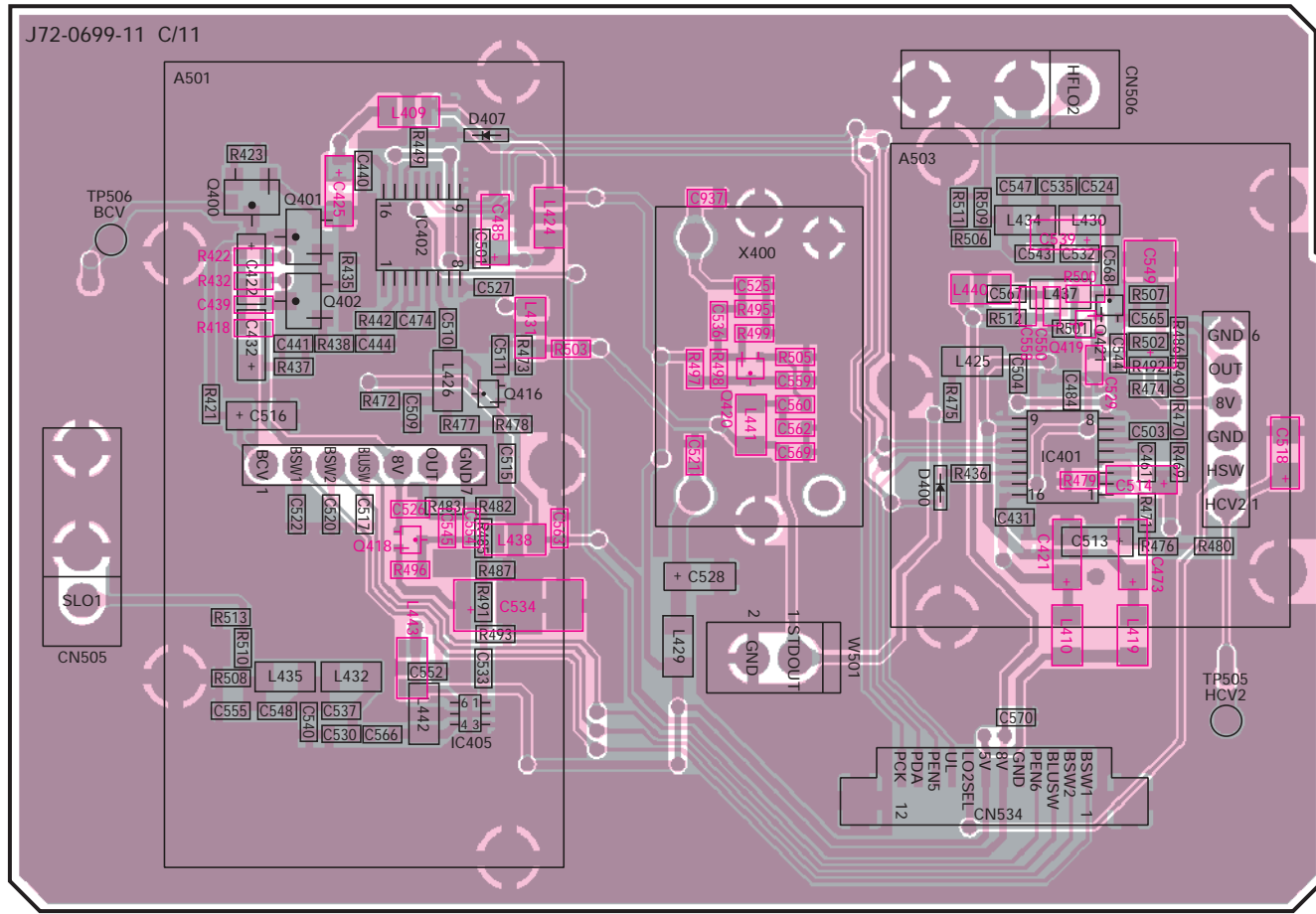
Component side  
Foil side

TX-RX 2 UNIT (X57-606X-XX) (B/11) 0-11 : K,KB,KX 2-71 : E,EB,E2,E2B,EX Foil side view (J72-0699-11 B/11)

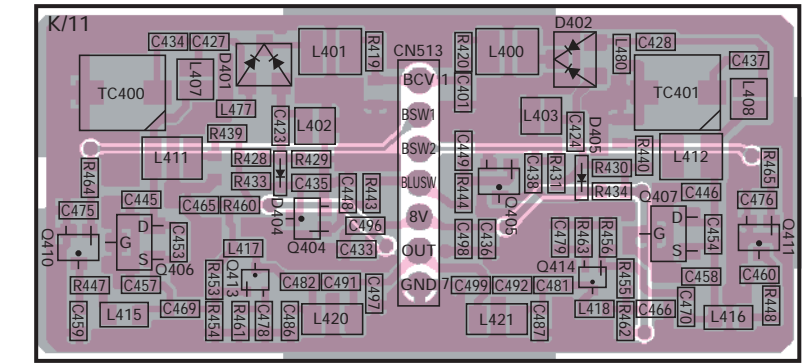
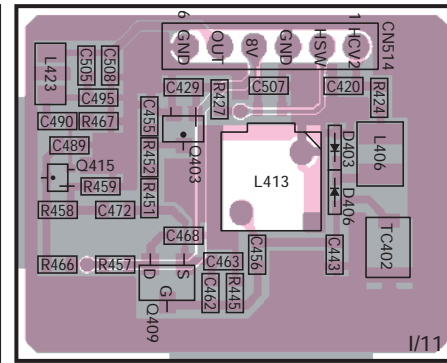
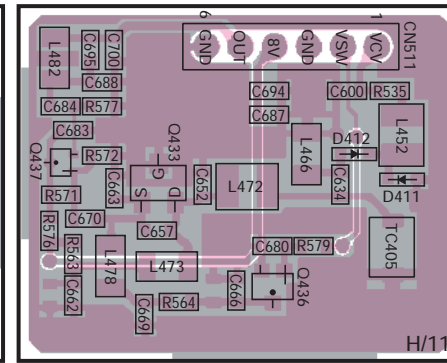
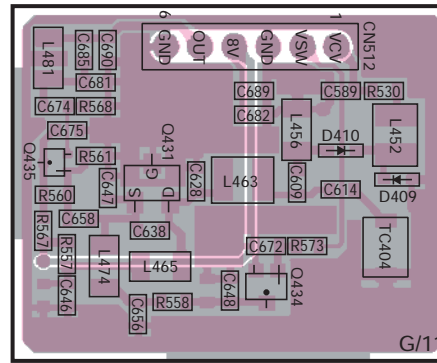
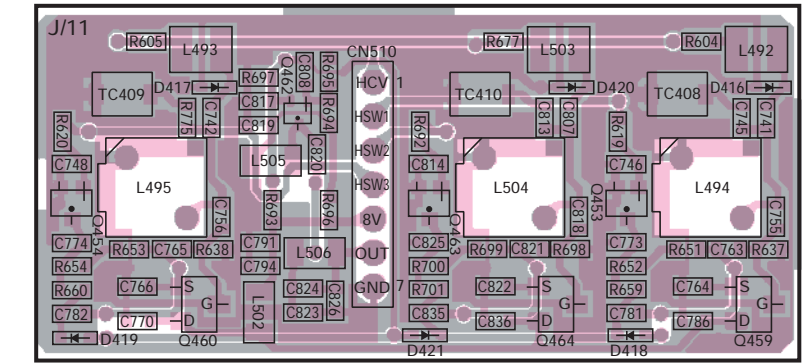
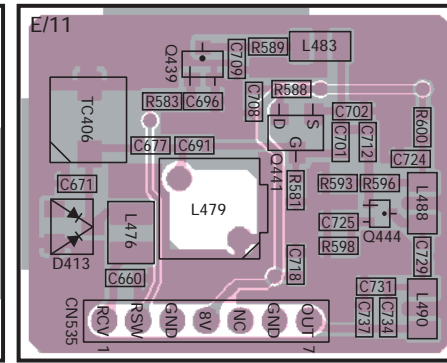
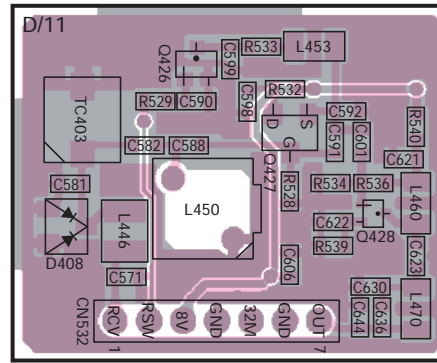


Component side  
 Foil side

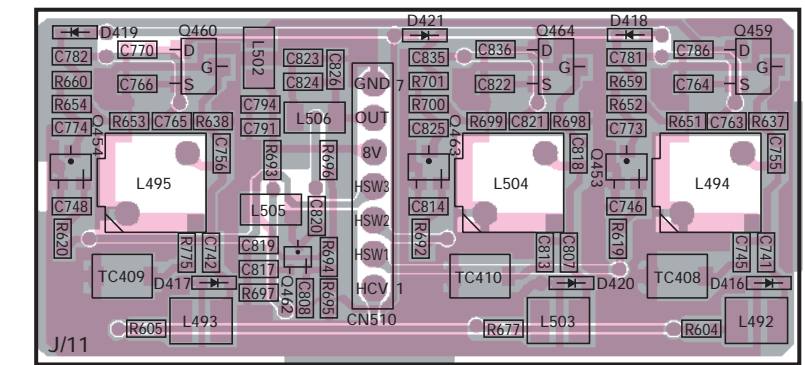
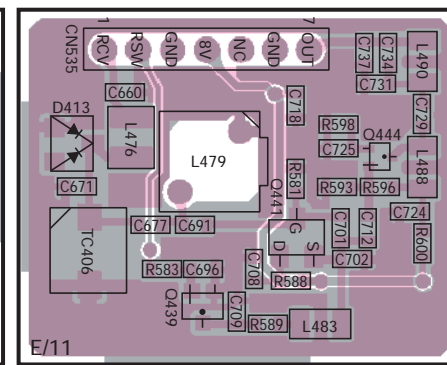
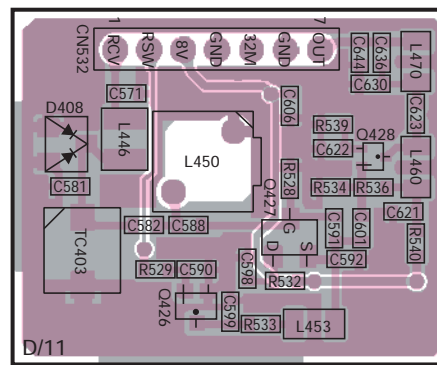
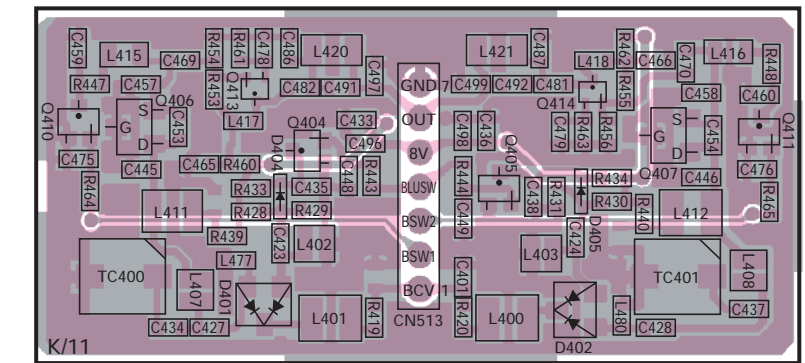
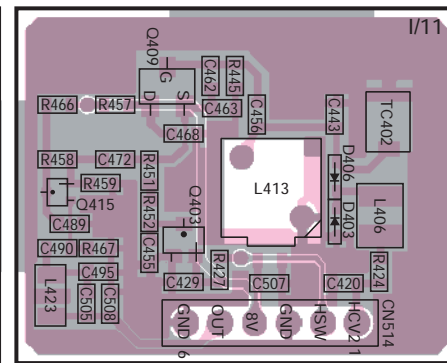
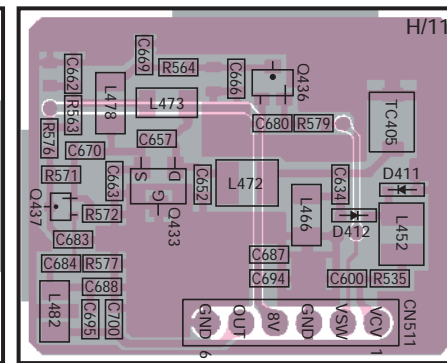
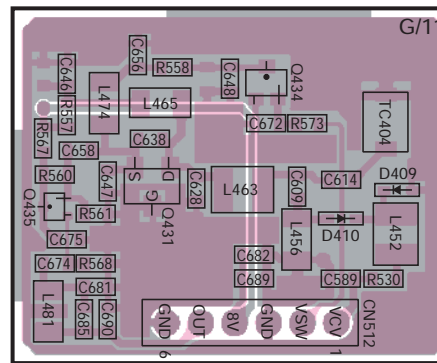
# TS-2000/X, TS-B2000 PC BOARD VIEWS



## TX-RX 2 UNIT (X57-606X-XX) (C,D,E,G,H,I,J,K/11) 0-11 : K,KB,KX 2-71 : E,EB,E2,E2B,EX Component side view (J72-0699-11 C,D,E,G,H,I,J,K/11)



## TX-RX 2 UNIT (X57-606X-XX) (C,D,E,G,H,I,J,K/11) 0-11 : K,KB,KX 2-71 : E,EB,E2,E2B,EX Foil side view (J72-0699-11 C,D,E,G,H,I,J,K/11)

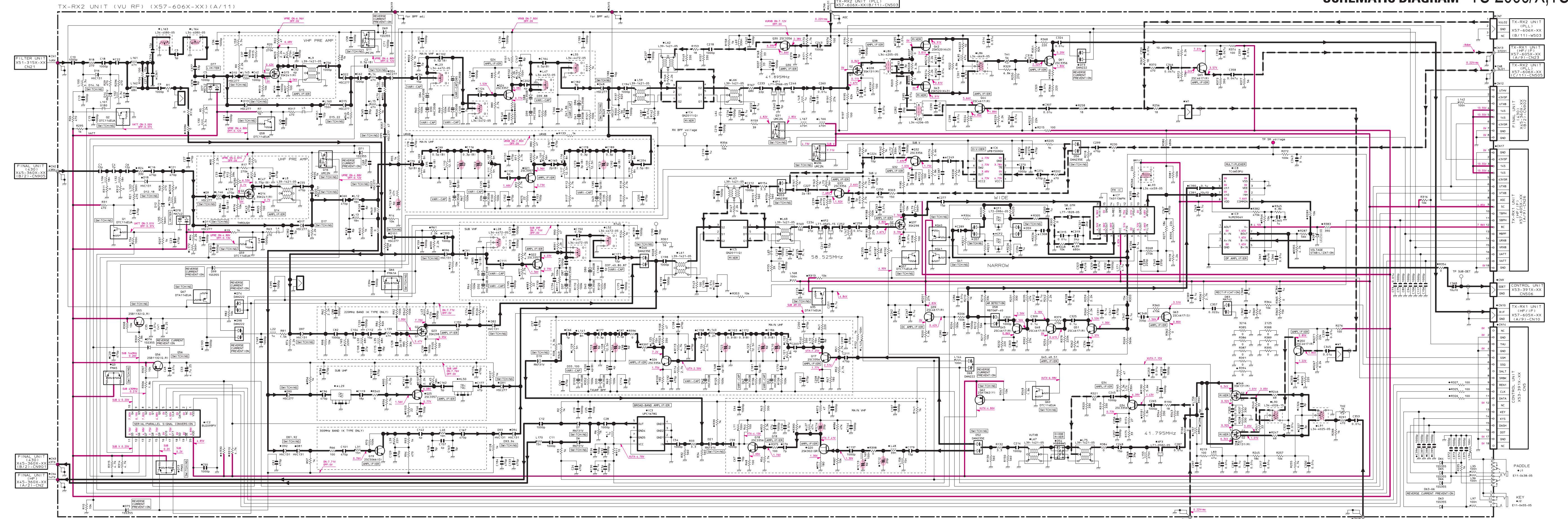


Downloaded by  
RadioAmateur.EU

Component side  
Foil side

Note : Components marked with a dot (·) are parts of layer 1.

# SCHEMATIC DIAGRAM TS-2000/X, TS-B2000

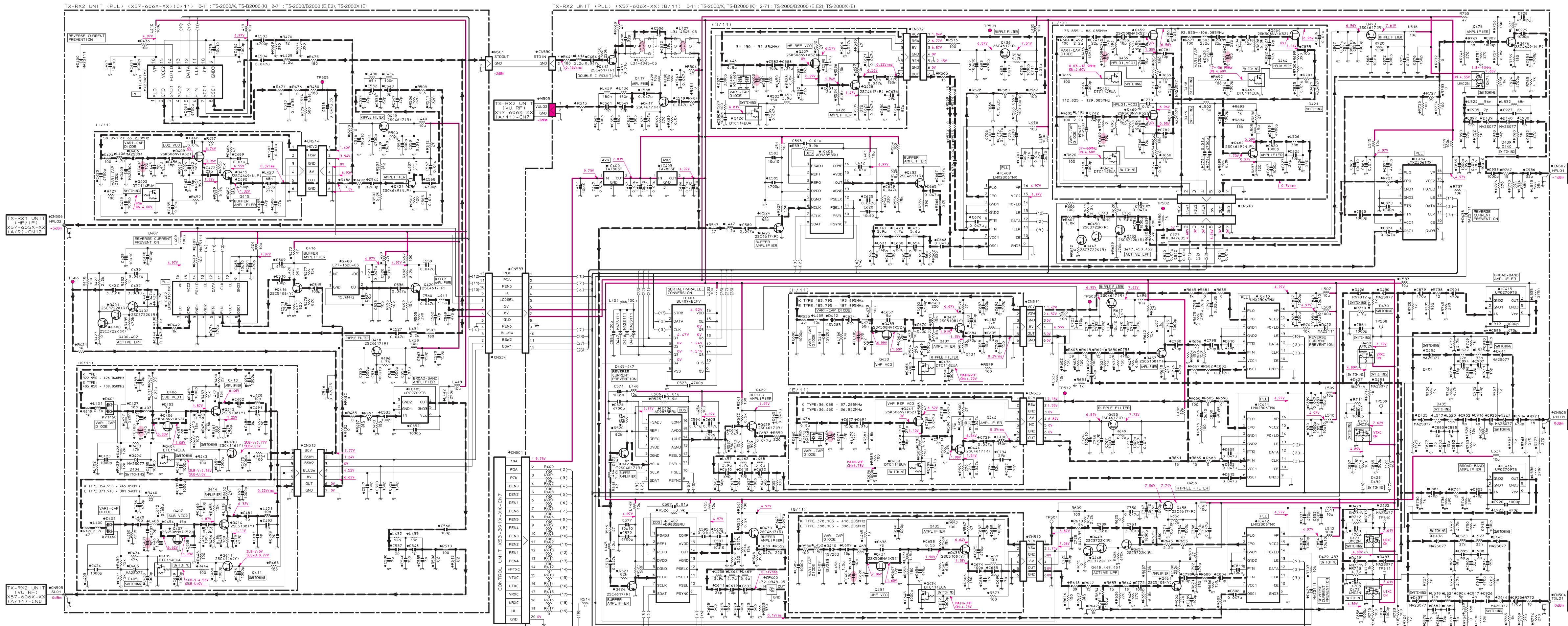


X57-606X-XX	CF2	D57	D59	Q40	Q41	L29	L50	R15	R30	R97	R211	R220	R221	R225	R226	R236	R304	R305	R350	R399	C8	C22	C249	C289	C308	C361	C387	D6	7	12	14	19	21	RN731V	D30-34	36	37	39	43	47	·HVC3508	D63-66	69	71	75	76	99	1S5355	·DTC114EUA	Q19	·25C5066(0)	Q38	44	47	·3SK131(M)	Q62	25A136(V)	·CN17	TXL01	IC2	·BU2099FV	IC8	·TC45CFU	TX-RX2 UNIT (PLL) X57-606X-XX (A/11)-CN503	TX-RX1 UNIT (HF/IF) X57-605X-XX (A/9)-CN10	TX-RX1 UNIT (HF/IF) X57-605X-XX (A/9)-CN23	TX-RX2 UNIT (HF/IF) X57-606X-XX (A/11)-CN503	FINAL UNIT (430) X57-606X-XX (B/2)-CN905	FINAL UNIT (430) X57-606X-XX (B/2)-CN901	FINAL UNIT (430) X57-606X-XX (A/2)-CN2	CONTROL UNIT X53-391X-XX CN506	CONTROL UNIT X53-391X-XX CN5	PADDLE E11-0438-05	KEY E11-0455-05
0-11	KKBXX	NO	NO	NO	NO	L79-1575-05	L79-1575-05	6.8K	NO	15	NO	NO	NO	NO	NO	NO	NO	0	0	0	6.8	22p	18p	10p	NO	NO	27p	18p	D48	49	90	91	95	101	D46	52	53	56	57	59	·DAN235E	D77	78	83	·HAY72	Q11	16	31	36	·UMC2N	Q21	22	24	25	·25C3357	Q41	·DTC14EUA	Q66	·FMA1A	TX-RX2 UNIT (PLL) X57-606X-XX (A/11)-CN504	TX-RX1 UNIT (HF/IF) X57-605X-XX (A/9)-CN10	TX-RX1 UNIT (HF/IF) X57-605X-XX (A/9)-CN23	TX-RX2 UNIT (HF/IF) X57-606X-XX (A/11)-CN503	FINAL UNIT (430) X57-606X-XX (B/2)-CN905	FINAL UNIT (430) X57-606X-XX (B/2)-CN901	FINAL UNIT (430) X57-606X-XX (A/2)-CN2	CONTROL UNIT X53-391X-XX CN506	CONTROL UNIT X53-391X-XX CN5	PADDLE E11-0438-05	KEY E11-0455-05				
2-71	E.E.E2.E28.EX	L72-0986-05	DAN235E	DAN235E	DTA114EUA	L79-1574-05	L79-1574-05	22k	4.7k	12	15k	22k	22k	22k	22k	15k	NO	NO	10	10	12P	1000p	5p	0.1u	0.1u	18p	47p	D16	18	81	82	92	94	96	97	·HVC131	D58	·RB706F-40	D89	·UDZ5308	Q17	18	26	30	32	34	61	·25C3356	Q35	40	67	·DTA114EUA	Q55	56	·25B1132(0,1)	TX-RX2 UNIT (PLL) X57-606X-XX (A/11)-CN504	TX-RX1 UNIT (HF/IF) X57-605X-XX (A/9)-CN10	TX-RX1 UNIT (HF/IF) X57-605X-XX (A/9)-CN23	TX-RX2 UNIT (HF/IF) X57-606X-XX (A/11)-CN503	FINAL UNIT (430) X57-606X-XX (B/2)-CN905	FINAL UNIT (430) X57-606X-XX (B/2)-CN901	FINAL UNIT (430) X57-606X-XX (A/2)-CN2	CONTROL UNIT X53-391X-XX CN506	CONTROL UNIT X53-391X-XX CN5	PADDLE E11-0438-05	KEY E11-0455-05								



# TS-2000/X, TS-B2000 SCHEMATIC DIAGRAM

Note : Components marked with a dot (·) are parts of layer 1.



- D400, 407, 422, 423, 438, 445, 447
- D401, 402, 408, 413
- D403, 406
- D404, 405, 418, 419, 421
- 430, 437, 439, 444
- D409, 412, 416, 417, 420
- D426, 429
- D400, 402, 447-452
- D403, 405, 426, 434, 436
- 439, 453, 454, 463
- D406, 407, 409, 427, 431
- 433, 441, 459, 460, 464
- D410, 411
- D412, 417, 420, 423-425, 428-430
- 432, 438, 444, 446, 455, 458, 473
- D413, 414, 416, 435, 437, 457, 461
- D415, 421, 462, 476
- D469, 470, 472, 474
- IC400
- IC401, 409-412, 414
- IC402
- IC403
- IC404
- IC405, 415, 416
- IC406-408
- MA2S111
- KV1460
- MA2S304
- MA2S077
- 1S283
- RN731V
- Z5C3722K(R)
- DT114EUA
- Z5C508N(K52)
- Z5C4116(Y)
- Z5C4617(R)
- Z5C5108(Y)
- Z5C4649(N,P)
- UMC2N
- TA7808F
- LMX2306TMX
- LMX2316TMX
- TA7805F
- BU4094BCFV
- UIC2709TB
- AD9835BRU

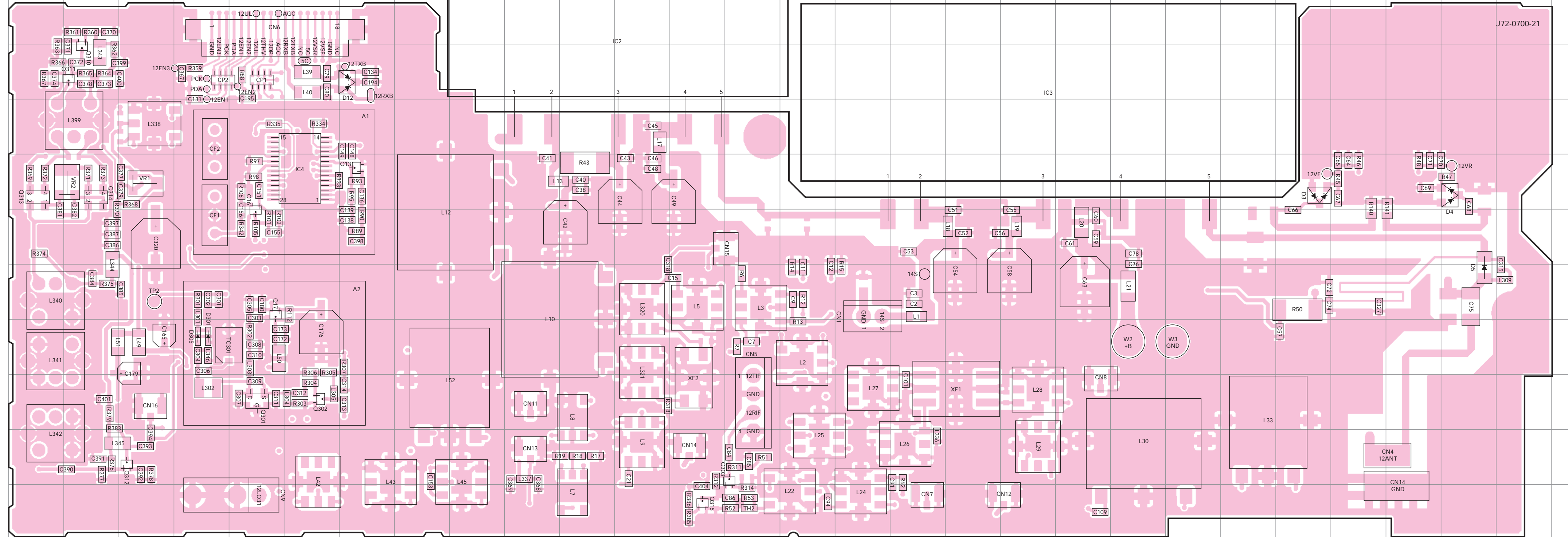
TX-RX1 UNIT (HF/IF) X57-606X-XX (A/91)-CN12

TX-RX2 UNIT (VU RF) X57-606X-XX (A/111)-CN6

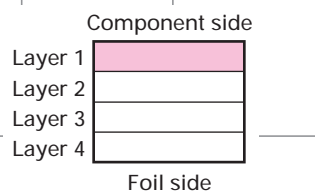
TX-RX2 UNIT (VU RF) X57-606X-XX (A/111)-CN11

Downloaded by RadioAmateur.EU

## TX-RX 3 UNIT (X57-6070-00) Component side view : KX,EX (J72-0700-21)

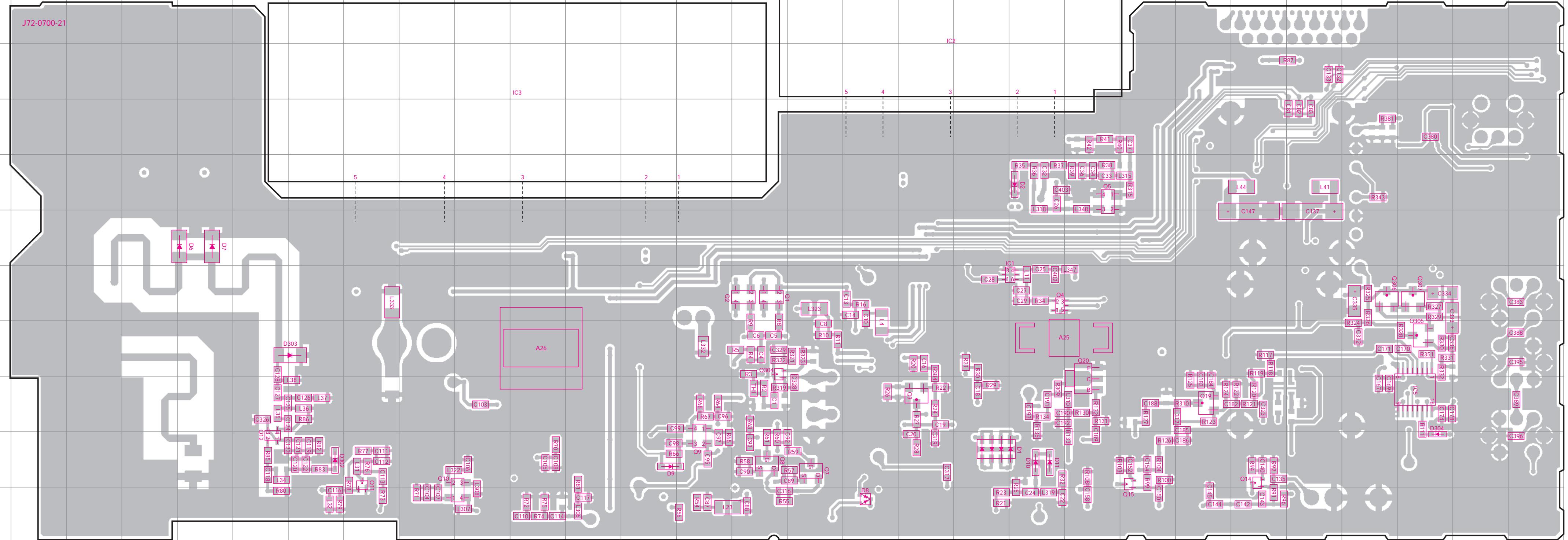


Ref No.	Address	Ref No.	Address	Ref No.	Address	Ref No.	Address	Ref No.	Address
IC2	2L	Q17	7E	Q311	3B	D3	5X	D301	8D
IC3	3S	Q301	9E	Q312	10C	D4	5AA		
IC4	5F	Q302	9F	Q313	5A	D5	7AA		
Q13	5G	Q303	10N	Q314	5B	D12	3G		
Q16	6E	Q310	3B	Q315	11M	D305	8D		

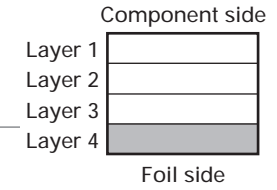


# TS-2000X PC BOARD VIEWS

TX-RX 3 UNIT (X57-6070-00) Foil side view : KX,EX (J72-0700-21)

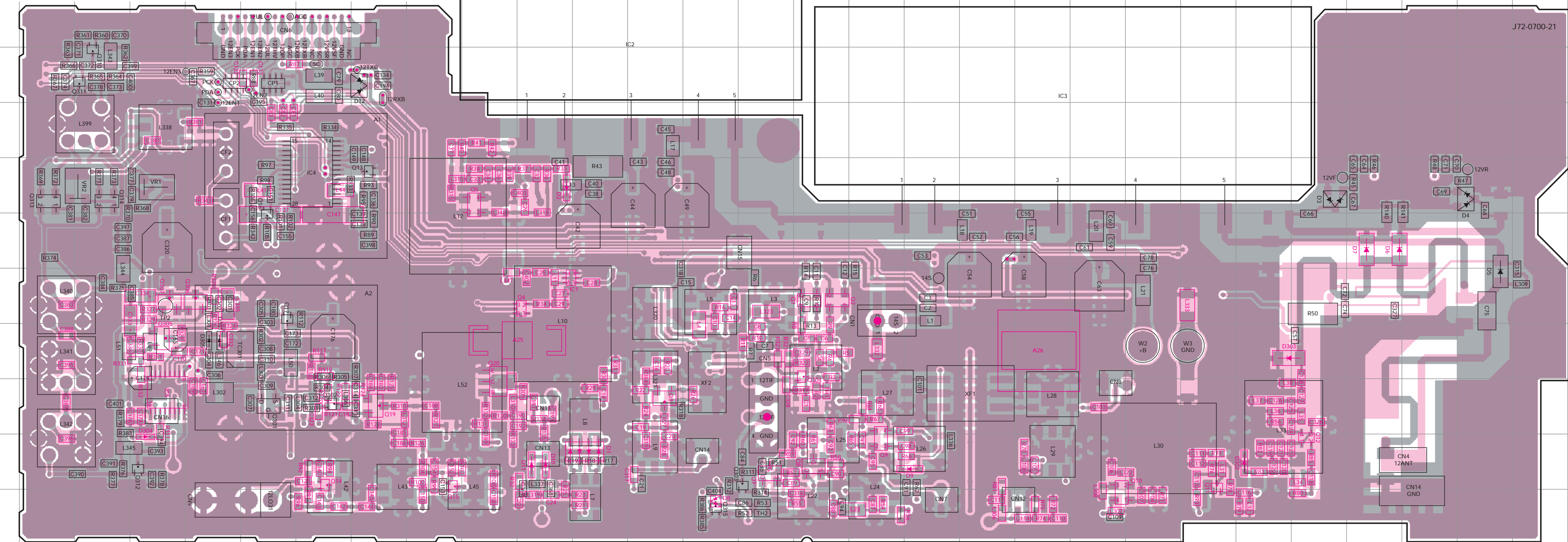


Ref No.	Address	Ref No.	Address	Ref No.	Address	Ref No.	Address	Ref No.	Address	Ref No.	Address	Ref No.	Address
IC1	7T	Q2	7O	Q8	10O	Q14	10X	Q305	8AA	D6	6E	D11	10T
IC2	2R	Q3	9R	Q9	10N	Q15	10V	Q306	7Z	D7	6E	D302	10G
IC3	3L	Q4	7T	Q10	11J	Q19	9W	Q307	7AA	D8	11Q	D303	8G
IC5	9AA	Q5	5U	Q11	10H	Q20	9U	D1	10S	D9	10M	D304	10AA
Q1	7O	Q7	10P	Q12	10F	Q304	8O	D2	5T	D10	10T		



# PC BOARD VIEWS TS-2000X

TX-RX 3 UNIT (X57-6070-00) Component side view + Foil Side : KX,EX (J72-0700-21)



UPD6345GS 	NJM2100V NJM2904V NJM5532M UPB1509GV UPC1678G 	29LV800BXXXX 29LV800BAXXXXX 	TGT0210Q TMT0111Q 
TC74VHC573FT 	ADM3202ARU AD9835BRU TA31136FN TC74HC4050AFT 	M62003FP TA75W393FU 	BU2099FV 
XC62FP1802P XC62FP3302P 	AK4518 M62364FP TC74LVX4245FS 	TC74VHC02FT TC74VHC04FT TC74VHC32FT 	30622M8A4C6GP 
ADM202EARU BU4094BCFV LMX2306TMX LMX2316TMX TC74HC4052AFT TC74HC4053AFT TC74VHC4040FT 	LC73881M 	TA48M033F TA7805F TA7808F 	64F2633XXXX SED1526FOA 
TA7808S 	320VC5402PGE 	TA75W01FU TC7WU04FU 	FMA1A 
NJU6433F 	AT25128N10SI27 TA4101F TC7WH74FU 	UPC2709TB 	

Ref No.	Address	Ref No.	Address	Ref No.	Address	Ref No.	Address	Ref No.	Address	Ref No.	Address	Ref No.	Address	Ref No.	Address	Ref No.	Address	Ref No.	Address		
IC1	7L	Q1	7Q	Q7	10P	Ref No.	Address	Ref No.	Address	Ref No.	Address	Ref No.	Address	Ref No.	Address	Ref No.	Address	Ref No.	Address		
IC2	2N	Q2	7Q	Q8	10Q	Q13	5I	Q19	9I	Q304	8Q	Q311	3D	D1	10M	D6	6AA	D11	10L	D303	8Y
IC3	3U	Q3	9N	Q9	10R	Q14	10H	Q20	9K	Q305	7E	Q312	10E	D2	5L	D7	6AA	D12	3I	D304	10E
IC4	5H	Q4	7L	Q10	11V	Q15	10J	Q301	9G	Q306	8F	Q313	5C	D3	5Z	D8	11A	D301	8F	D305	8F
IC5	9E	Q5	5K	Q11	10X	Q16	6G	Q302	9H	Q307	7E	Q314	5D	D4	5AC	D9	10S	D302	10Y		

Component side

Layer 1

Layer 2

Layer 3

Layer 4

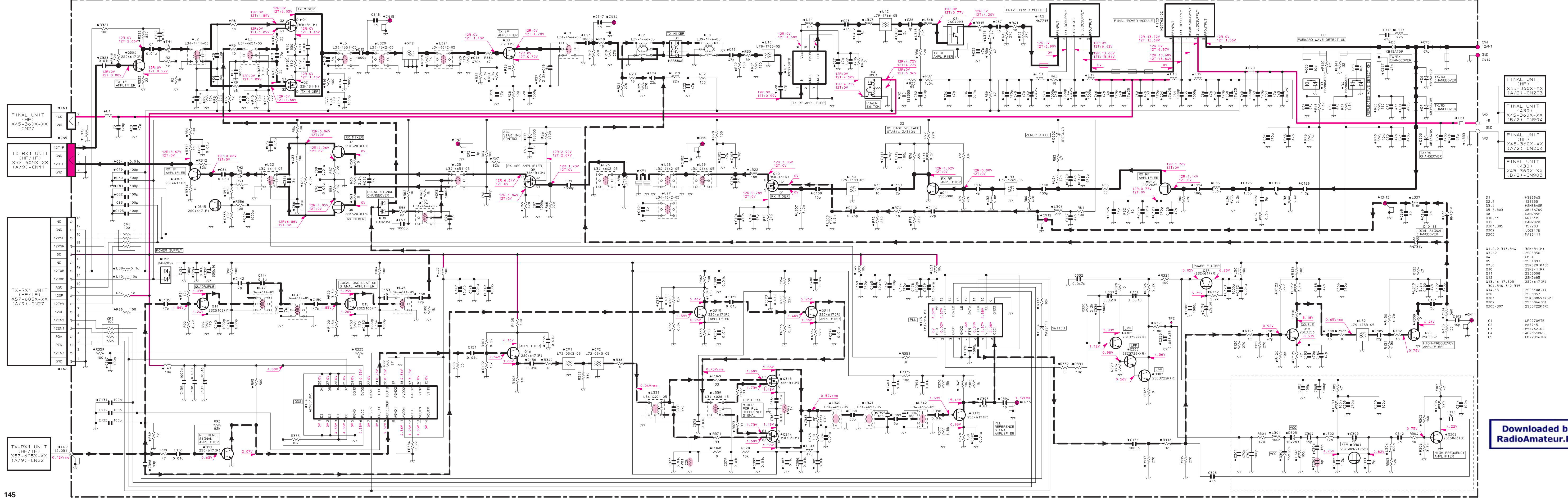
Foil side

● Connect 1 and 4

# TS-2000X SCHEMATIC DIAGRAM

TX-RX3 UNIT (1.2G) (X57-6070-00)

Note : Components marked with a dot (·) are parts of layer 1.



- FINAL UNIT (HF) X45-360X-XX (A/2)-CN203
- FINAL UNIT (HF) X45-360X-XX (B/2)-CN904
- FINAL UNIT (HF) X45-360X-XX (A/2)-CN204
- FINAL UNIT (HF) X45-360X-XX (B/2)-CN903

- D1 : ·HSB88WS
- D2, 9 : ·1S535S
- D3, 4 : ·HSB88SR
- D5-7, 303 : ·XB15A709
- D8 : ·DAN235E
- D10, 11 : ·RN731V
- D12 : ·DAN202K
- D301-305 : ·15V283
- D302 : ·U02547B
- D303 : ·MA25111

- Q1, 2, 9, 313, 314 : ·3SK131(M)
- Q3, 19 : ·2SC3356
- Q4 : ·UPC
- Q5 : ·2SC4093
- Q7, 8 : ·2SK520(K43)
- Q10 : ·3SK241(R)
- Q11 : ·2SC5008
- Q12 : ·2SK2685
- Q13, 16, 17, 303, 304, 310-312, 315 : ·2SC4617(R)
- Q14, 15 : ·2SC5108(Y)
- Q20 : ·2SC3357
- Q31 : ·2SK508N(K52)
- Q302 : ·2SC5066(O)
- Q305-307 : ·2SC3722K(R)

- IC1 : ·UPC2709TB
- IC2 : ·M67715
- IC3 : ·HS7762-02
- IC4 : ·AD9851RS
- IC5 : ·LMX2316TMX

Downloaded by RadioAmateur.EU

## SPECIFICATIONS

### General

Mode .....	J3E (LSB, USB) A1A (CW) A3E (AM) F3E (FM) F1D (FSK) F2D
Number of memory channels .....	300
Antenna impedance .....	50Ω (With antenna tuner 16.7 to 150Ω)
Supply voltage .....	DC 13.8V ± 15%
Ground method .....	Negative ground
Current	
Transmit (Max.) .....	20.5A or less
Receive (No signal) .....	2.6A or less
Usable temperature range .....	-10°C to +50°C (+14°F to +122°F)
Frequency stability (-10°C to +50°C)	
Main Other mode .....	Within ±0.5 × 10 <sup>-6</sup> (±0.5ppm)
FM mode .....	±0.5 × 10 <sup>-6</sup> ±2kHz
Sub .....	±0.5 × 10 <sup>-6</sup> ±600Hz
Frequency accuracy (at room temperature)	
Main Other mode .....	±0.5 × 10 <sup>-6</sup> (±0.5ppm)
FM mode .....	±0.5 × 10 <sup>-6</sup> ±500Hz
Sub .....	±0.5 × 10 <sup>-6</sup> ±600Hz
Dimensions (W x H x D) .....	270 x 96 x 317 mm / 10.6 x 3.8 x 12.5 inches
(Projections included) .....	TS-2000/X : (281 x 107 x 371 mm / 11.1 x 4.2 x 14.6 inches) TS-B2000 : (281 x 107 x 344.5 mm / 11.1 x 4.2 x 13.6 inches)
Weight .....	TS-2000 : Approx. 7.8kg (17.2 lbs) TS-2000X : Approx. 8.2kg (18.1 lbs) TS-B2000 : Approx. 7.5kg (16.6 lbs)

### Transmitter

Frequency range			
160m band .....	1.8 to 2.0MHz (K)	1.81 to 2.0MHz (E)	1.83 to 1.85MHz (E2)
80m band .....	3.5 to 4.0MHz (K)	3.5 to 3.8MHz (E,E2)	
40m band .....	7.0 to 7.3MHz (K)	7.0 to 7.1MHz (E,E2)	
30m band .....	10.1 to 10.15MHz		
20m band .....	14.0 to 14.35MHz		
17m band .....	18.068 to 18.168MHz		
15m band .....	21.0 to 21.45MHz		
12m band .....	24.89 to 24.99MHz		
10m band .....	28.0 to 29.7MHz		
6m band .....	50.0 to 54.0MHz (K)	50.0 to 52.0MHz (E)	50.0 to 50.2MHz (E2)
2m band .....	144 to 148MHz (K)	144 to 146MHz (E,E2)	
70cm band .....	430 to 450MHz (K)	430 to 440MHz (E,E2)	
23cm band .....	1240 to 1300MHz (TS-2000X, TS-2000/B2000 : With UT-20)		
Output power			
SSB/CW/FSK/FM	Max. ....	100W (1.8 to 144MHz) / 50W (430 (440) MHz) / 10W (1.2GHz)	
	Min. ....	5W (1.8 to 144MHz) / 5W (430 (440) MHz) / 1W (1.2GHz)	
AM	Max. ....	25W (1.8 to 144MHz) / 12.5W (430 (440) MHz) / 2.5W (1.2GHz)	
	Min. ....	5W (1.8 to 144MHz) / 5W (430 (440) MHz) / 1W (1.2GHz)	
Modulation			
SSB .....	Balanced		
FM .....	Reactance		
AM .....	Low level		
Spurious emissions			
1.8 to 29.7MHz .....	-50dB or less		
50.0 to 440 (450) MHz .....	-60dB or less		
1240 to 1300MHz .....	-50dB or less		
Carrier suppression .....	50dB or more		
Unwanted sideband suppression (Modulation frequency 1.0kHz) .....	50dB or more		
Maximum frequency deviation (FM)			
Wide .....	±5kHz or less		
Narrow .....	±2.5kHz or less		
XIT shift frequency range .....	±20.0kHz		
Microphone impedance .....	600Ω		

**Downloaded by  
RadioAmateur.EU**

## SPECIFICATIONS

### Receiver

#### Circuit type

Main band	SSB/CW/AM/FSK .....	Quadruple conversion superheterodyne
	FM .....	Triple conversion superheterodyne
Sub band	FM/AM .....	Duble conversion superheterodyne

#### Frequency range ( ) : VFO coverage range

Main band .....	0.5 to 30MHz, 50 to 54MHz (0.03 to 60.0MHz)
	144 to 148MHz (K) (142 to 152MHz (K)) 144 to 146MHz (E,E2)
	430 to 145MHz (K) (420 to 450MHz (K)) 430 to 440MHz (E,E2)
	1240 to 1300MHz (TS-2000X, TS-2000/B2000 : With UT-20)
Sub band .....	144 to 148MHz (K) (118 to 174MHz (K)) 144 to 146MHz (E,E2)
	438 to 450MHz (K) (220 to 512MHz (K)) 430 to 440MHz (E,E2)

#### Intermediate frequency (IF)

Main transceiver	1st IF .....	HF/50MHz band : 69.085MHz or 75.925MHz
		144/430 (440)MHz band : 41.895MHz 1200MHz band : 135.495MHz
	2nd IF .....	10.695MHz
	3rd IF .....	455kHz
	4th IF .....	12.0kHz
Sub receiver	1st IF .....	58.525MHz
	2nd IF .....	455kHz

#### Sensitivity

Main band	SSB/CW/FSK (S/N 10dB) .....	0.5 to 1.705MHz	: 4 $\mu$ V or less	
		1.705 to 24.5MHz	: 0.2 $\mu$ V or less	
		24.5 to 30.0MHz	: 0.13 $\mu$ V or less	
		50.0 to 54.0MHz	: 0.13 $\mu$ V or less	
		144 to 146MHz	: 0.11 $\mu$ V or less (E,E2)	
		144 to 148MHz	: 0.16 $\mu$ V or less (K)	
		430 to 440MHz	: 0.11 $\mu$ V or less (E,E2)	
		430 to 450MHz	: 0.11 $\mu$ V or less (K)	
		1240 to 1300MHz	: 0.11 $\mu$ V or less	
		AM (S/N 10dB) .....	0.5 to 1.705MHz	: 31.6 $\mu$ V or less
			1.705 to 24.5MHz	: 2.0 $\mu$ V or less
			24.5 to 30.0MHz	: 1.3 $\mu$ V or less
			50.0 to 54.0MHz	: 1.3 $\mu$ V or less
			144 to 146MHz	: 1.0 $\mu$ V or less (E,E2)
			144 to 148MHz	: 1.4 $\mu$ V or less (K)
FM (12dB SINAD) .....	430 to 440MHz	: 1.0 $\mu$ V or less (E,E2)		
	430 to 450MHz	: 1.0 $\mu$ V or less (K)		
	1240 to 1300MHz	: 1.0 $\mu$ V or less		
	28.0 to 30.0MHz	: 0.22 $\mu$ V or less		
	50.0 to 54.0MHz	: 0.22 $\mu$ V or less		
	144 to 146MHz	: 0.18 $\mu$ V or less (E,E2)		
Sub band	AM (S/N 10dB) .....	144 to 146MHz	: 1.55 $\mu$ V or less (E,E2)	
		144 to 148MHz	: 2.25 $\mu$ V or less (K)	
		430 to 440MHz	: 1.55 $\mu$ V or less (E,E2)	
		438 to 450MHz	: 1.55 $\mu$ V or less (K)	
		FM (12dB SINAD) .....	144 to 146MHz	: 0.28 $\mu$ V or less (E,E2)
			144 to 148MHz	: 0.40 $\mu$ V or less (K)
430 to 440MHz	: 0.28 $\mu$ V or less (E,E2)			
		438 to 450MHz	: 0.28 $\mu$ V or less (K)	

#### Selectivity

Main band	SSB (Low cut : 300Hz / Hi cut : 2600Hz) .....	-6dB : 2.2kHz	-60dB : 4.4kHz
	AM (Low cut : 100Hz / Hi cut : 3000Hz) .....	-6dB : 6.0kHz	-50dB : 12.0kHz
	FM .....	-6dB : 12.0kHz	-50dB : 25.0kHz
Sub band	AM .....	-6dB : 12.0kHz	-50dB : 25.0kHz
	FM .....	-6dB : 12.0kHz	-50dB : 25.0kHz

## SPECIFICATIONS

Image rejection		
Main transceiver .....	70dB or more	
Sub transceiver .....	60dB or more	
1st IF rejection		
Main transceiver .....	70dB or more	
Sub transceiver .....	60dB or more	
Notch filter attenuation (at 1kHz) .....	30dB or more	
Beat cancel attenuation (at 1kHz) .....	40dB or more	
RIT shift frequency range .....	±20.0kHz	
Squelch sensitivity		
Main band   SSB/CW/FSK/AM .....	0.5 to 1.705MHz	: 18.0µV or less
	1.8 to 28.7MHz	: 1.8µV or less
	50.0 to 54.0MHz	: 1.1µV or less
	144 to 146MHz	: 1.1µV or less (E,E2)
	144 to 148MHz	: 1.1µV or less (K)
	430 to 440MHz	: 1.1µV or less (E,E2)
	430 to 450MHz	: 1.1µV or less (K)
	1240 to 1300MHz	: 1.1µV or less
FM .....	28.0 to 30.0MHz	: 0.2µV or less
	50.0 to 54.0MHz	: 0.2µV or less
	144 to 146MHz	: 0.1µV or less (E,E2)
	144 to 148MHz	: 0.16µV or less (K)
	430 to 440MHz	: 0.1µV or less (E,E2)
	430 to 450MHz	: 0.1µV or less (K)
	1240 to 1300MHz	: 0.1µV or less
Sub band   AM .....	144 to 146MHz	: 1.1µV or less (E,E2)
	144 to 148MHz	: 1.1µV or less (K)
	430 to 440MHz	: 1.1µV or less (E,E2)
	438 to 450MHz	: 1.1µV or less (K)
FM .....	144 to 146MHz	: 0.18µV or less (E,E2)
	144 to 148MHz	: 0.23µV or less (K)
	430 to 440MHz	: 0.18µV or less (E,E2)
	438 to 450MHz	: 0.18µV or less (K)
Audio output (8Ω, 10% distortion) .....	1.5W or more	
Audio output impedance (EXT. SP1 and EXT. SP2) .....	4~8Ω	

KENWOOD follows a policy of continuous advancement in development.  
For this reason specifications may be changed without notice.



# TS-2000/X, TS-B2000

## **KENWOOD CORPORATION**

14-6, Dogenzaka 1-chome, Shibuya-ku, Tokyo 150-8501, Japan

### **KENWOOD SERVICE CORPORATION**

P.O. BOX 22745, 2201 East Dominguez Street, Long Beach, CA 90801-5745, U.S.A.

### **KENWOOD ELECTRONICS CANADA INC.**

6070 Kestrel Road, Mississauga, Ontario, Canada L5T 1S8

### **KENWOOD ELECTRONICS DEUTSCHLAND GMBH**

Rembrücker Str. 15, 63150 Heusenstamm, Germany

### **KENWOOD ELECTRONICS BELGIUM N.V.**

Leuvensesteenweg 248 J, 1800 Vilvoorde, Belgium

### **KENWOOD ELECTRONICS FRANCE S.A.**

13, Boulevard Ney, 75018 Paris, France

### **KENWOOD ELECTRONICS U.K. LIMITED**

KENWOOD House, Dwight Road, Watford, Herts., WD1 8EB United Kingdom

### **KENWOOD ELECTRONICS EUROPE B.V.**

Amsterdamseweg 37, 1422 AC Uithoorn, The Netherlands

### **KENWOOD ELECTRONICS ITALIA S.p.A.**

Via G. Sirtori, 7/9 20129 Milano, Italy

### **KENWOOD IBERICA S.A.**

Bolivia, 239-08020 Barcelona, Spain

### **KENWOOD ELECTRONICS AUSTRALIA PTY. LTD.**

(A.C.N. 001 499 074)

16 Giffnock Avenue, Centrecourt Estate, North Ryde, N.S.W. 2113 Australia

### **KENWOOD ELECTRONICS (HONG KONG) LTD.**

Unit 3712-3724, Level 37, Tower one Metroplaza, 223 Hing Fong Road, Kwai Fong, N.T., Hong Kong

### **KENWOOD ELECTRONICS TECHNOLOGIES(S) PTE LTD.**

Sales Marketing Division

1 Ang Mo Kio Street 63, Singapore 569110

**Downloaded by**  
**RadioAmateur.EU**

