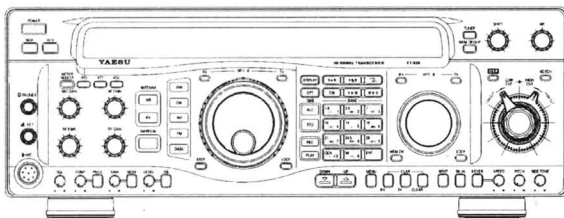


YAESU

FT-920

HF & 50-MHz-Band Transceiver Technical Supplement



Downloaded by
RadioAmateur.EU

YAESU MUSEN CO., LTD.

1-20-2 Shimomaruko, Ota-Ku, Tokyo 146, Japan

YAESU U.S.A.

17210 Edwards Rd., Cerritos, CA 90703, U.S.A.

YAESU INTERNATIONAL DIVISION, (Caribbean, Mexico, Central & So. America)
7270 NW 12th St., Suite 320, Miami, FL 33126, U.S.A.

YAESU EUROPE B.V.

Snipweg 3, 1118DN Schiphol, The Netherlands

YAESU UK LTD.

Unit 2, Maple Grove Business Centre,
Lawrence Rd., Hounslow, Middlesex, TW4 6DR, U.K.

YAESU GERMANY GmbH

Am Kronberger Hang 2, D-65824 Schwalbach, Germany

YAESU HK LTD.

11th Floor Tsim Sha Tsui Centre, 66 Mody Rd.,
Tsim Sha Tsui East, Kowloon, Hong Kong

Contents

<i>Introduction</i>	1-1
<i>Specification</i>	1-2
<i>Chip Component Information</i>	1-3
<i>Transceiver Disassembly & PCB Unit Access</i>	2-1
<i>Battery/Fuse Replacement & CPU Resetting</i>	2-4
<i>Alignment</i>	3-1
<i>Block & Interconnection Diagrams</i>	4-1

PCB Diagrams & Parts List

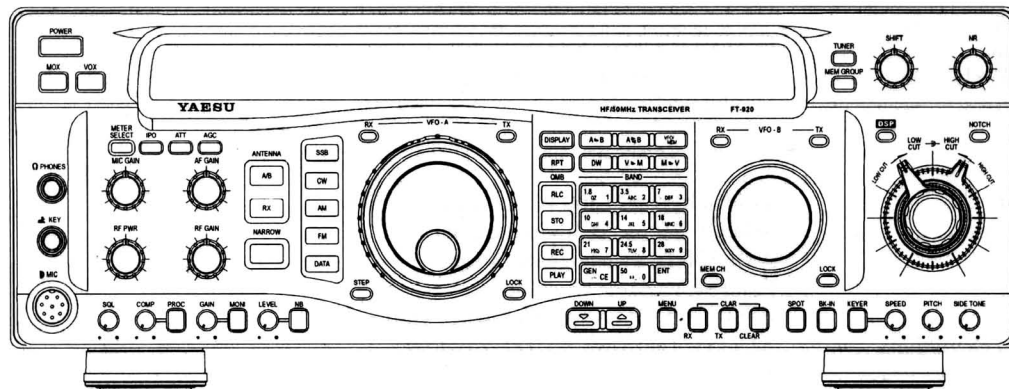
MAIN Unit	5A-1
REF-OSC Unit	5B-1
PA Unit	5C-1
LPF Unit	5D-1
TUNER-MAIN Unit	5E-1
TUNER-CNTL Unit	5F-1
DSP Unit	5G-1
DISPLAY Unit	5H-1
VR-A Unit	5I-1
VR-B Unit	5J-1
VR-C Unit	5K-1
VR-D Unit	5L-1
KEY-1 Unit	5M-1
KEY-2 Unit	5N-1
SW Unit	5O-1
HP Unit	5P-1
MIC Unit	5Q-1
REG Unit	5R-1
<i>Mechanical Details (Exploded Views & Mechanical Parts)</i>	6-1
<i>FM-1 (FM Unit option)</i>	7A-1

Cut out the label at the right, and place it behind the clear plastic window in the spine of the binder.

RELEASED BY "LUCKY" THE CAT



FT-920
Technical Supplement



This manual provides technical information necessary for servicing the Yaesu FT-920 HF & 50-MHz-Band transceiver. It does not include information on installation and operation, which are described in the FT-920 Operating Manual provided with the transceiver, or on accessories which are described in their manuals.

The FT-920 is carefully designed to allow the knowledgeable operator to make nearly all adjustments required for various station conditions, modes and operator preferences simply from the controls on the panels, without opening the case of the transceiver. The FT-920 Operating Manual describes these adjustments, plus certain internal settings.

Servicing this equipment requires expertise in handling surface mount chip components. Attempts by unqualified persons to service this equipment may result in permanent damage not

covered by warranty. For the major circuit boards, each side of the board is identified by the type of the majority of components installed on that side. In most cases one side has only chip components, and the other has either a mixture of both chip and lead components (trimmers, coils, electrolytic capacitors, packaged ICs, etc.), or lead components only.

While we believe the technical information in this manual is correct, Yaesu assumes no liability for damage that may occur as a result of typographical or other errors that may be present. Your cooperation in pointing out any inconsistencies in the technical information would be appreciated. Yaesu Musen reserves the right to make changes in this transceiver and the alignment procedures, in the interest of technological improvement, without notification of owners.

Specifications

General

Rx Frequency Range: 100.00 kHz ~ 29.99999 MHz, 48.00000 MHz ~ 56.00000 MHz
Tx Frequency Range: 160 ~ 6 m amateur bands only
Frequency Stability: ± 10 ppm (-10 °C ~ $+50$ °C, except FM)
Frequency Accuracy: ± 2 ppm (-10 °C ~ $+50$ °C, except FM, w/optional TCXO-7)
Operating Temperature Range: $< \pm 7$ ppm (FM $< \pm 500$ Hz)
Emission Modes: $< \pm 3.5$ ppm (FM $< \pm 460$ Hz, w/optional TCXO-7)
Frequency Step: -10 °C ~ $+50$ °C
Antenna Impedance: LSB, USB, CW, FSK, AM, FM (option)
Power Consumption (Approx.): 1 Hz/10 Hz/100 Hz for SSB and CW, 10 Hz/100 Hz/1000 Hz for AM and FM
Supply Voltage: 50 Ω unbalanced
Dimensions (W×H×D): Rx (no signal) 2.0 A, Rx (signal) 2.5 A, Tx (100 W) 22A
Weight (Approx.): DC 13.5 V $\pm 10\%$
11.5 kg

Transmitter

Power Output: Adjustable up to 100 W (25 W AM carrier)
Modulation Types: SSB: J3E Balanced, filtered carrier
AM: A3E Low-level (early stage)
FM: F3E Variable reactance
AFSK: J1D, J2D Audio frequency shift keying
Maximum FM Deviation: ± 2.5 kHz (narrow), ± 5.0 kHz (wide)
FSK Shift Frequency: 170, 425 and 850 Hz
Harmonic Radiation: at least 50 dB below peak output (HF), at least 60 dB below peak output (VHF)
SSB Carrier Suppression: at least 40 dB below peak output
Undesired Side band Suppression: at least 50 dB below peak output
Audio Response (SSB): not more than -6 dB from 400 to 2600 Hz
3rd-order IMD: -31 dB @ 100 W PEP, or better
Microphone Impedance: 500 ~ 600 Ω

Receiver

Circuit Type: Double-conversion Superheterodyne (Triple-conversion for FM)
Intermediate Frequencies: 68.985 MHz, 8.215 MHz (455 kHz for FM)

	100 ~ 150 kHz (IPO OFF)	150 ~ 250 kHz (IPO ON)	250 ~ 500 kHz (IPO ON)	0.5 ~ 1.8 MHz (IPO OFF)	1.8 ~ 30, 48 ~ 54 MHz (IPO OFF)	28 ~ 30, 48 ~ 54 MHz (IPO OFF)
SSB	-	5 μ V	4 μ V	2 μ V	0.25 μ V	-
AM	-	40 μ V	16 μ V	16 μ V	2 μ V	-
FM	-	-	-	-	-	0.5 μ V

Selectivity (-6 dB/ -60 dB): SSB, CW 2.4 kHz/5.0 kHz
CW 500 Hz/1.8 kHz w/optional CW filter YF-116C
AM 6 kHz/14 kHz w/optional AM filter YF-116A
FM 12 kHz/25 kHz w/ optional FM Unit FM-1
Squelch Sensitivity: < 2 μ V (SSB, CW, AM 1.8 ~ 56 MHz, IPO OFF)
 < 0.32 μ V (FM 28 ~ 56 MHz, IPO OFF)
IF Rejection: < 70 dB (HF), < 50 dB (VHF)
Image Rejection: < 70 dB (1.8 ~ 56 MHz)
IF Shift Range: ± 1.2 kHz
IF Notch Rejection: 35 dB or better
Clarifier Tuning Range: ± 9.99 kHz
Maximum Audio Output: 1.5 W (@ 4 Ω , 10% THD)
Audio Output Impedance: 4 ~ 8 Ω

Automatic Antenna Tuner

Impedance Range: 16.7 ~ 150 Ω unbalanced (1.8 ~ 28 MHz)
25.0 ~ 100 Ω unbalanced (50 MHz)
Frequency Range: 160 ~ 6 m amateur band
Matching Timer: < 30 seconds
Matched SWR: $< 1.4:1$

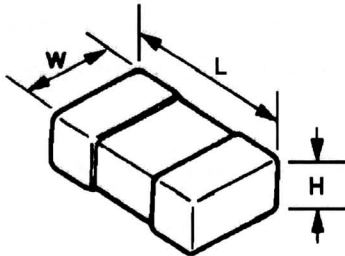
Downloaded by
RadioAmateur.EU

Specification subject to change, in the interest to technical improvement, without notice or obligation.

Chip Component Information

The diagrams below indicate some of the distinguishing features of common chip components.

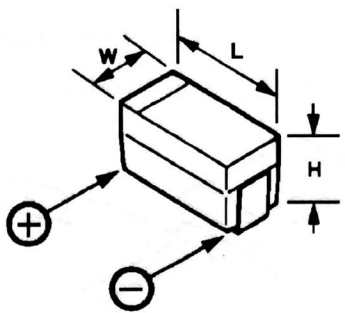
Capacitors



(Unit: mm)

Type	L	W	H
2125	2.0	1.25	0.35 ~ 0.5
1608	1.6	0.8	0.65 ~ 0.95
1005	1.0	0.5	0.45 ~ 0.55

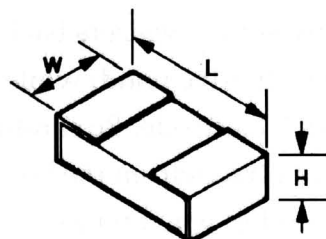
Tantalum Capacitors



(Unit: mm)

Type	L	W	H
P	2.0	1.25	1.2
A	3.2	1.6	1.6
B	3.4	2.8	1.9
C	5.8	3.2	2.3

Resistors



Marking* 100, 222, 473...

473

Tens	Ones	Multiplier
0	0	10 ⁰
1	1	10 ¹
2	2	10 ²
3	3	10 ³
4	4	10 ⁴
5	5	10 ⁵
6	6	10 ⁶
7	7	10 ⁷
8	8	10 ⁸
9	9	10 ⁹

Indicated Letters

1 2 3 4 5 6 7 8 9 0 .

(Unit: mm)

Type	L	W	H
1/10	2.0	1.25	0.5
1/16	1.6	0.8	0.45
1/16S	1.0	0.5	0.35

Examples: 100=10Ω
222=2.2kΩ
473=47kΩ

Chip Component Information

Replacing Chip Components

Chip components are installed at the factory by a series of robots. The first one places a small spot of adhesive resin at the location where each part is to be installed, and later robots handle and place parts using vacuum suction.

For single sided boards, solder paste is applied and the board is then baked to harden the resin and flow the solder. For double sided boards, no solder paste is applied, but the board is baked (or exposed to ultra-violet light) to cure the resin before dip soldering.

In our laboratories and service shops, small quantities of chip components are mounted manually by applying a spot of resin, placing with tweezers, and then soldering by very small dual streams of hot air (without physical contact during soldering). We remove parts by first removing solder using a vacuum suction iron, which applies a light steady vacuum at the iron tip, and then breaking the adhesive with tweezers.

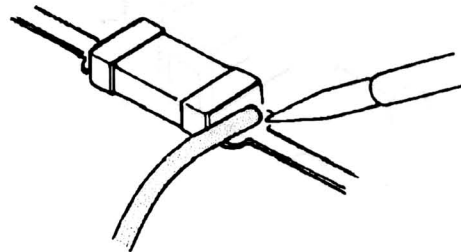
The special vacuum/desoldering equipment is recommended if you expect to do a lot of chip replacements. Otherwise, it is usually possible to remove and replace chip components with only a tapered, temperature-controlled soldering iron, a set of tweezers and braided copper solder wick. Soldering iron temperature should be below 280°C (536°F).

Precautions for Chip Replacement

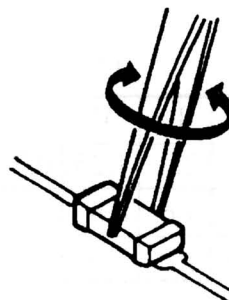
- Do not disconnect a chip forcefully, or the foil pattern may peel off the board.
- Never re-use a chip component. Dispose of all removed chip components immediately to avoid mixing with new parts.
- Limit soldering time to 3 seconds or less to avoid damaging the component and board.

Removing Chip Components

- Remove the solder at each joint, one joint at a time, using solder wick whetted with non-acidic fluxes as shown below. Avoid applying pressure, and do not attempt to remove tinning from the chip's electrode.



- Grasp the chip on both sides with tweezers, and gently twist the tweezers back and forth (to break the adhesive bond) while alternately heating each electrode. Be careful to avoid peeling the foil traces from the board. Dispose of the chip when removed.
- After removing the chip, use the copper braid and soldering iron to wick away any excess solder and smooth the land for installation of the replacement part.

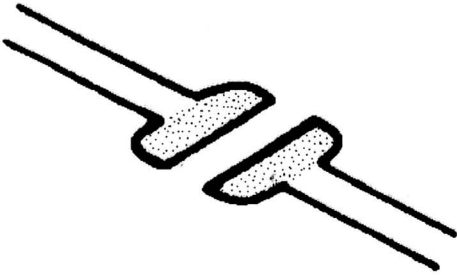


Chip Component Information

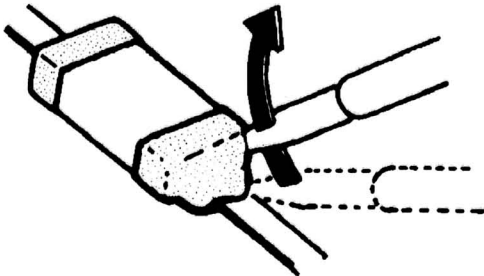
Installing a Replacement Chip

As the value of some chip components is not indicated on the body of the chip, be careful to get the right part for replacement.

- Apply a small amount of solder to the land on one side where the chip is to be installed. Avoid too much solder, which may cause bridging (shorting to other parts).



- Hold the chip with tweezers in the desired position, and apply the soldering iron with a motion line as indicated by the arrow in the diagram below. Do not apply heat for more than 3 seconds.



- Remove the tweezers and solder the electrode on the other side in the manner just described.

Chip Component Information

Notes:

The below listed page numbers were **BLANK** pages in the **PRINTED MANUAL** and were not scanned for this file – this is just to let you know that no information is missing from this scan.

1 - 6	5E - 8	5J - 2	5O - 2
5A - 6	5F - 2	5K - 2	5P - 2
5A - 36	5F - 8	5L - 2	5Q - 2
5B - 2	5G - 2	5M - 2	5R - 2
5C - 2	5G - 8	5M - 4	5R - 4
5D - 2	5H - 2	5M - 6	5R - 6
5D - 8	5H - 4	5N - 2	6 - 4
5E - 2	5I - 2	5N - 6	7A - 2

Transceiver Disassembly & PCB Unit Access

Disassembly Tips

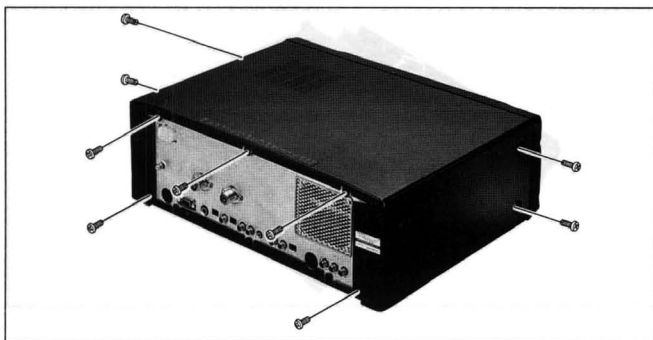
The FT-920 uses over 15 individual unit/assemblies, interconnected for maximum performance and compactness. With the exception of routine installations (filters, options, backup battery replacement, etc.), we do not recommend further disassembly. Circuit repair and alignment require familiarity with complex analog and digital circuitry, and access to the specialized test equipment needed for circuit analysis. Therefore, we recommend repairs be conducted by at an authorized repair facility via the Yaesu dealer where the unit was purchased.

When proceeding with transceiver disassembly, keep the following items in mind -

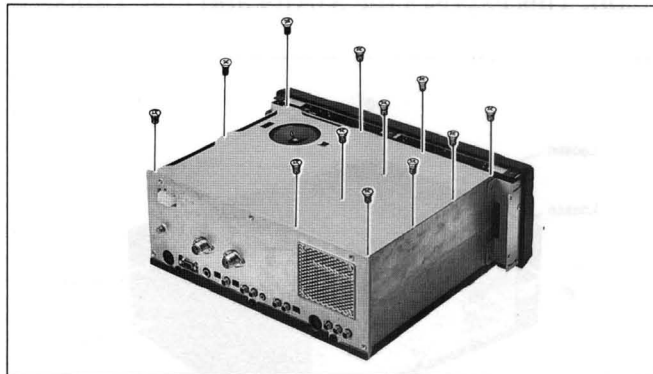
- ❑ Various types of screws sizes and thread pitch are used - separate screws and keep them with the unit they were removed from.
- ❑ When unplugging wiring connectors or mini coax cables, make note of any color coding to facilitate easy identification during reassembly.

Top Cover Removal

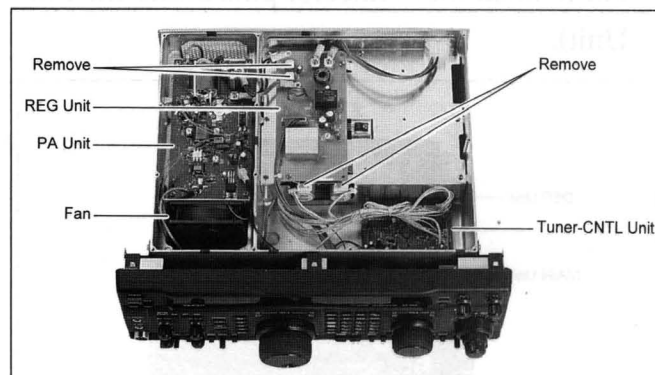
- ❑ Turn the transceiver off, and disconnect all cables. Remove the 9 screws affixing the top cover, then tilt and pull the cover off.



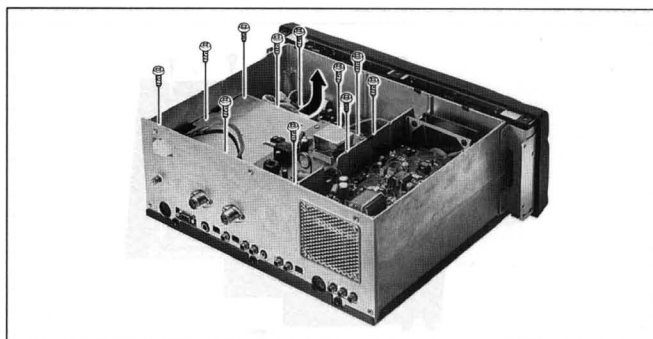
- ❑ Remove the 12 screws affixing the top plate (with speaker). Tilt the plate and disconnect the speaker cable, then pull the cover off. This exposes the PA, REG and Tuner-CNTL Units.



- ❑ Disconnect J9004, J9005 on the REG Unit and 2 connectors to the motor on the Tuner-Main Unit.



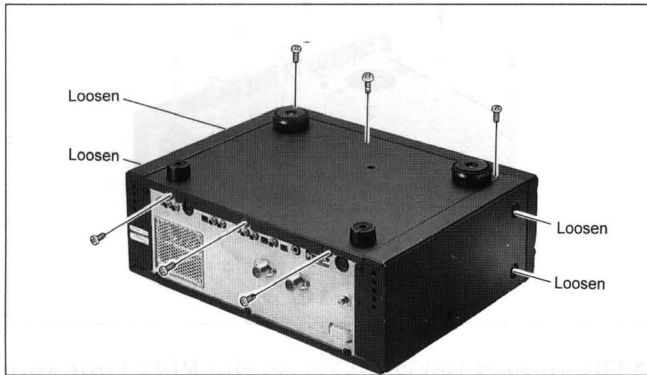
- ❑ Remove the 7 screws on the shield plate, and 4 screws on the Tuner-CNTL Unit. Then tilt and pull the plate off. This expose the Tuner-Main Unit.



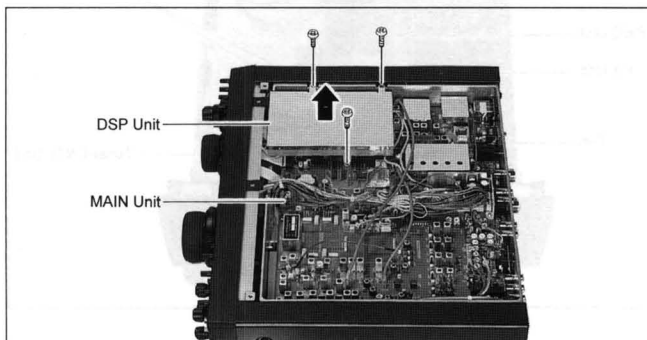
Transceiver Disassembly & PCB Unit Access

Bottom Cover Removal

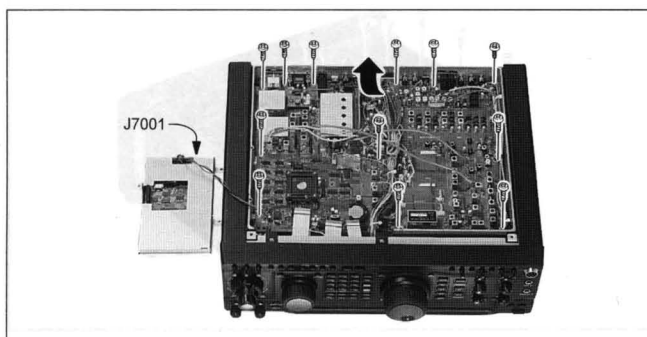
- Loosen the 4 screws on each side of the top panel, and remove the 6 screws affixing the bottom cover, then tilt and pull the bottom cover off. This exposes the MAIN and DSP Units.



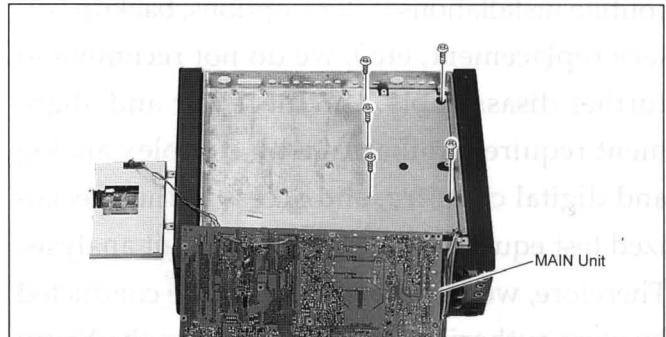
- Remove the 3 screws near DSP Unit, and lift the DSP Unit (be careful not to break the wires, nor to bend the connector pins under the DSP Unit).



- Disconnect J7001 on the DSP Unit, and remove the 12 screws affixing the MAIN Unit. Then tilt and pull the circuit board off (be careful not to break the wires).

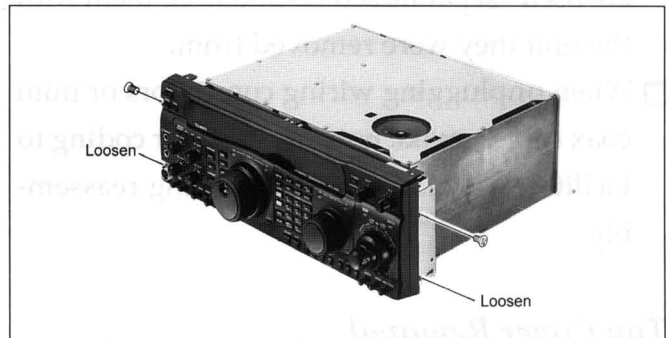


- Remove the 3 screws on the shield plate and 2 screws deep in the holes (be careful not to drop the screws). Then pull the shield plate off to expose the LPF Unit.

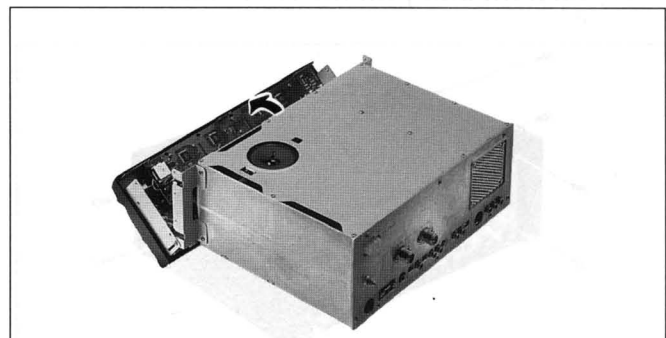


Front Panel Disassembly

- With the top and bottom covers off, remove the screw at the top of each side, and loosen the 2 screws at the bottom of each side of the front panel.

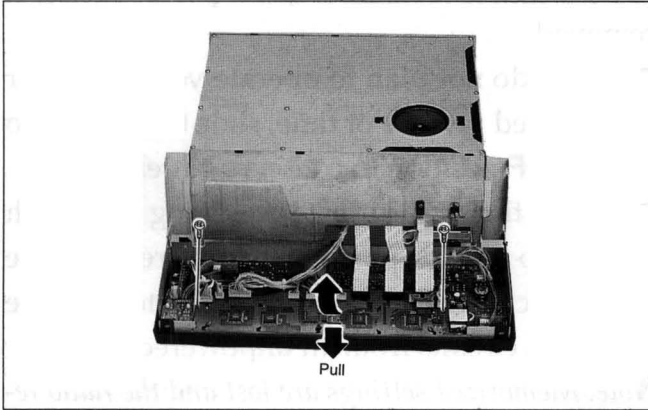


- Slide the front panel assembly forward slightly, then tilt it open and down.



Transceiver Disassembly & PCB Unit Access

- Remove the 2 screws on the Display Unit. Pull the top of the front panel, and tilt and pull the Display Unit out (be careful not to break the wires or the front panel). This exposes the Key, VR and Jack Units.

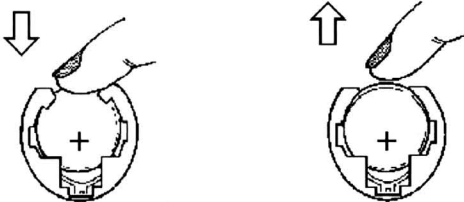


Battery/Fuse Replacement & CPU Resetting

Lithium Battery Replacement

A 3-V type CR2032 lithium battery (BT0001, Yaesu p/n: Q9000564) is located on the MAIN Unit board of the transceiver. This maintains the memorized data in the transceiver. Battery life is normally greater than five years. If replacement is needed, perform the following steps:

- With the top and bottom covers removed, note the location of the battery. Using your finger, slide the battery inward (you will feel slight pressure from the mounting spring), then slightly pry it up and outward so that it ejects freely through the slot in the battery holder.
- Carefully note battery polarity with the positive (+) side facing upward, and battery type information. Install the replacement battery in the reverse manner.



Memory Back-Up Switch

The internal **BACKUP** switch on the MAIN Unit board is normally kept in the **ON** position to ensure memorized data is maintained (by a small amount of power from the lithium battery) when the radio is off, or the DC power source is removed.

- If you do not plan to operate your radio for extended periods of time, slide this switch to the **OFF** position to conserve battery life.
- Ensure the radio is on when sliding the switch back to the **ON** position, as this reduces the initial current demand on the battery by the radio's circuits from an unpowered state.

Note: Memorized settings are lost and the radio returns to factory default settings when turning off the backup battery.

Introduction and Precautions

The following procedures cover adjustments that are not normally required once the transceiver has left the factory. However, if damage occurs and some parts subsequently be replaced, realignment may be required. If a sudden problem occurs during normal operation, it is likely due to component failure; realignment should not be done until after the faulty component has been replaced.

We recommend that servicing be performed by authorized Yaesu service technicians, experienced with the circuitry and fully equipped for repair and alignment. If a fault is suspected, contact the selling dealer for instructions regarding repair. Authorized Yaesu service technicians have the latest modification information, and realign all circuits and make compete performance checks to ensure compliance with the factory specifications after repairs.

Those who do undertake any of the following alignments are cautioned to proceed at their own risk. Problems caused by unauthorized attempts at realignment are not covered by the warranty policy. Also, Yaesu must reserve the right to change circuits and alignment procedures in the interest of improved performance, without notifying owners. Under no circumstances should any alignment be attempted unless the normal function and operation of the transceiver are clearly understood, the cause of the malfunction has been clearly pinpointed and any faulty components replaced, and the need for realignment determined to be absolutely necessary.

The following test equipment (and thorough familiarity with its correct use) is necessary for complete realignment. Correction of problems caused by misalignment resulting from unauthorized adjustments made with improper test equipment is not covered by warranty. Although most steps do not require all of the equipment

listed, the interaction of some adjustments may require that more complex adjustments be performed afterwards. Do not attempt to perform only a single step unless it is clearly isolated electrically from all other steps. Rather, have all test equipment ready before beginning, and follow all of the steps in a section in the order they are presented.

Required Test Equipment

- Digital DC Voltmeter (high-Z, 1 M Ω /V)
- RF Millivoltmeter
- AC Voltmeter
- RF Standard Signal Generator w/ calibrated output and dB scale, 0 dB μ = 0.5 μ V
- AF Signal Generator with calibrated output
- Spectrum Analyzer or receiver (60 MHz)
- Frequency Counter
- 50- Ω Dummy Load (150 ~ 250 watts)
- 16.6- Ω Dummy Load (150 watts)
- In-Line Wattmeter (150 ~ 250 watts, 50- Ω)
- Linear Detector
- RF Attenuator (150 watts, 40 dB) or coupler

Alignment Preparation & Precautions

A 50- Ω dummy load and in-line wattmeter must be connected to the antenna jack in all procedures that call for transmission, except where specified otherwise. Correct alignment is not possible with an antenna. Except where specified otherwise, the transceiver should be tuned to 14.2000 MHz, USB mode, and these controls set as indicated:

- MOX, VOX, AGC, PROC, IPO, ATT OFF**
- MIC & RF PWR** fully CCW (minimum)
- AF** as required
- SQL** fully CCW (minimum)
- NOTCH & SHIFT** to 12-o'clock
- LOW CUT** fully CCW (minimum)
- HIGH CUT & RF GAIN** to fully CW (maximum)

Alignment

The transceiver's Alignment Menu mode is required for some procedures. If an Alignment Menu cannot be selected, power may have to be switched off and back on to re-enable menu selection, as follows:

- Turn the transceiver off, then press and hold **STEP** and **LOCK** (under the **VFO-A** dial) together while powering the transceiver on again.
- Input password "0751051", then press **ENT**.
- Press **MENU**, and select the required menu.

When finish the Alignment menu, press **MENU** to save and exit.

Read each step to determine if the same test equipment used in the previous step will be required. If not, remove the test equipment (except dummy load and wattmeter, if connected) before proceeding. Correct alignment requires that the ambient temperature be the same as that of the transceiver and test equipment, and that this temperature be held constant within 20 ~ 30°C (68 ~ 86 °F). If the transceiver is brought into the

shop from hot or cold air, it should be allowed time for thermal equalization with the environment before alignment. Alignments must only be made with oscillator shields and circuit boards firmly affixed in place. Also, the test equipment must be thoroughly warmed up before beginning.

Note: Signal levels in dB referred to in alignment are based on 0 dBμ = 0.5 μV.

Table Note: DC voltages should be within ±10 % of those listed in the voltage tables.

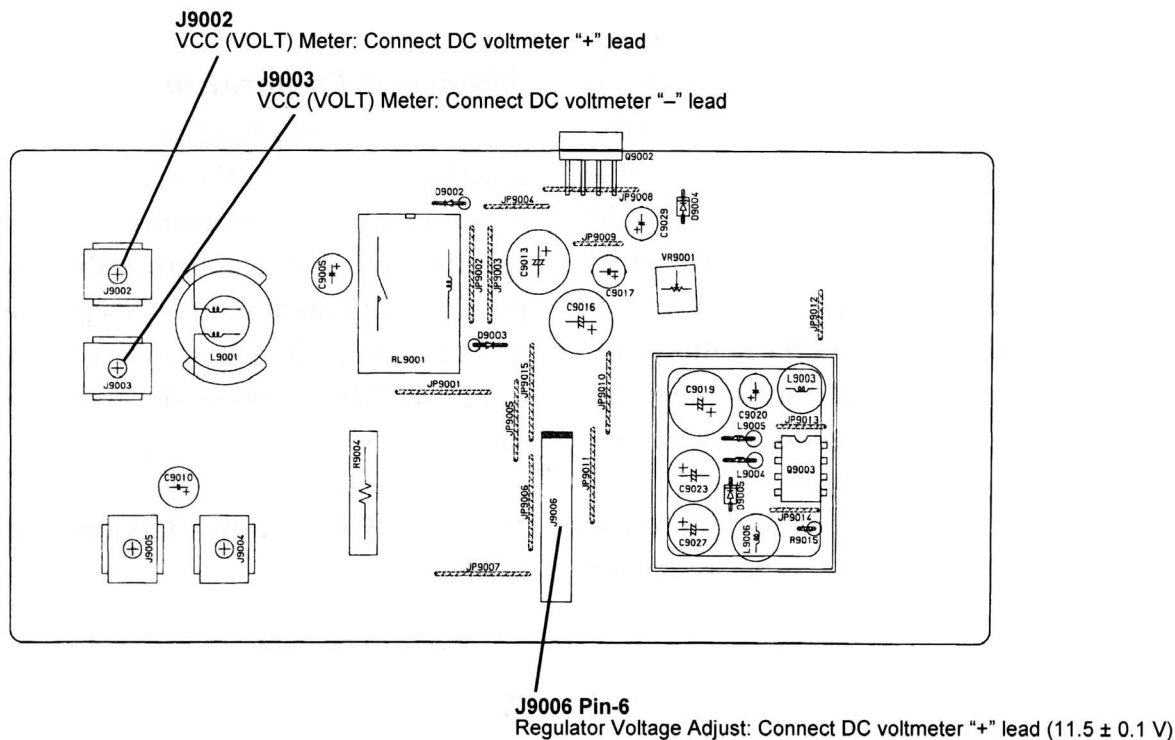
REG Unit

Regulator Voltage Adjust

- Connect the DC voltmeter to J9006 pin 6 and chassis ground, then adjust VR9001 for 11.5 ± 0.1 V on the DC voltmeter.

VCC (VOLT) Meter

- Connect the DC voltmeter to J9002 ("+" lead) and J9003 ("-" lead), and confirm almost the



REG Unit Test & Alignment Points

same indications on the voltmeter and the VCC meter (12 ~ 16 dot).

PA Unit

Before adjusting the PA Unit, preset VR3001, VR3002 and VR3003 fully counter-clockwise, and remove connector J3007.

Driver Idling Current

- ❑ Remove jumper connector J3008 and the coaxial plug from J3001, then connect a 50-Ω resistor to J3001. Connect the ammeter to J3008 (pin 1 "+" lead, pin 2 "-" lead).
- ❑ Key the transmitter, and with no microphone input, adjust VR3001 for 1.8 ± 0.05 A on the ammeter.

Final Idling Current

- ❑ Remove the cable from J3003, and connect the

ammeter between J3003 ("-" lead) and the cable ("+" lead).

- ❑ Key the transmitter, and with no microphone input, adjust VR3002 for 500 ~ 525 mA on the ammeter. Next adjust VR3003 for 1 ~ 1.05 A on the ammeter. Reinstall the connectors and coaxial plug.

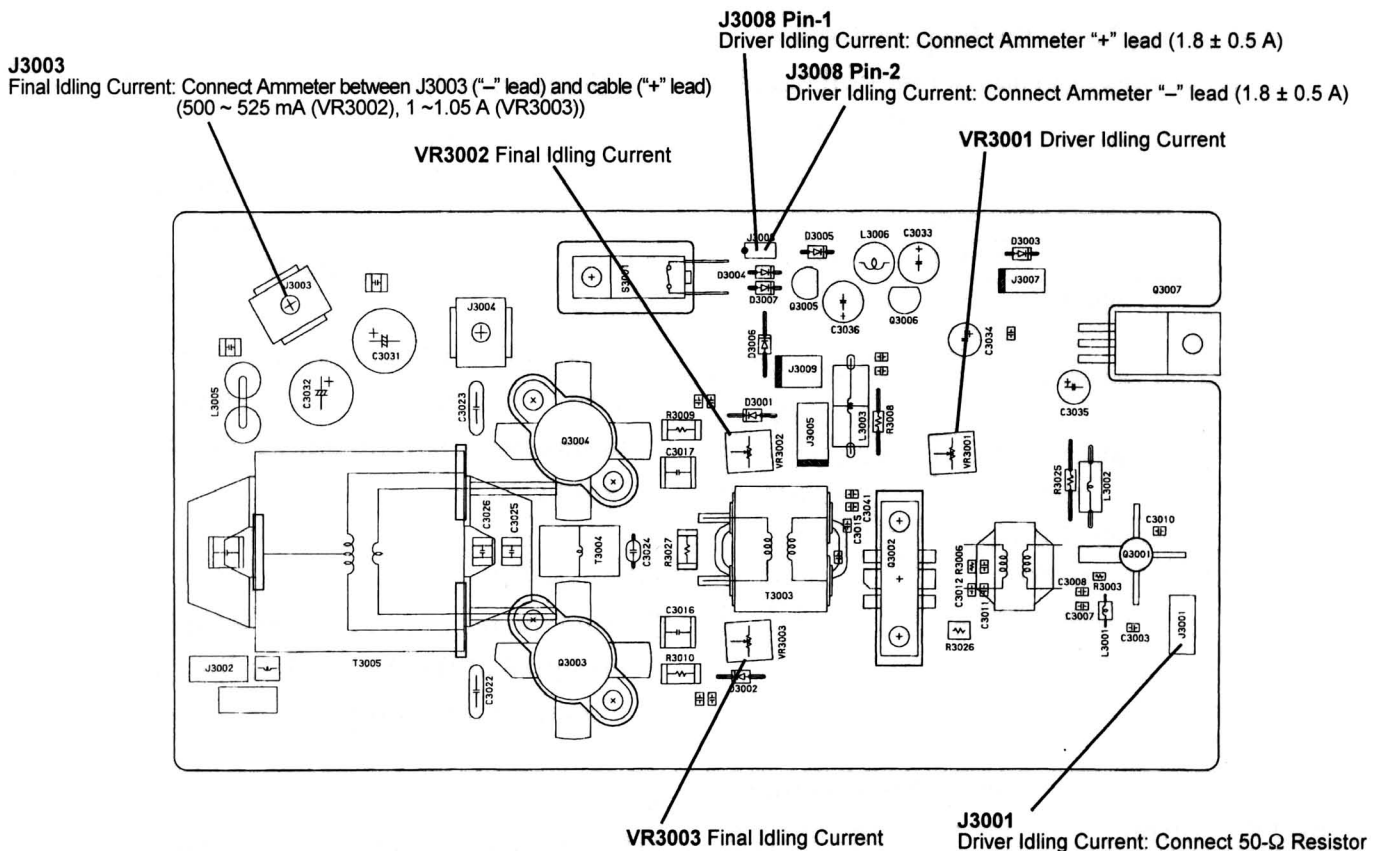
MAIN Unit

REF BUFF Amp

- ❑ Connect the RF millivoltmeter to TP2003, and adjust T2001 and T2002 for maximum indication on the RF millivoltmeter (at least 60 mV).

REF Frequency

- ❑ Connect the frequency counter to TP2003, and adjust TC2901 on the REF-OSC Unit for $33.554432 \text{ MHz} \pm 30 \text{ Hz}$ on the counter.



PA Unit Test & Alignment Points

Alignment

2nd Local OSC

- ❑ Connect the RF millivoltmeter to TP2005, and adjust T2009 for 1.0 ± 0.1 V on the RF millivoltmeter.

PLL BPF (HF Band)

- ❑ Tune the transceiver to 7.263 MHz, LSB mode. Connect the RF millivoltmeter to TP2004, and adjust T2006 ~ T2008 in succession several times for peak RF millivoltmeter indication (at least 70 mV).

PLL BPF (VHF Band)

- ❑ Tune the transceiver to 50.226 MHz, connect the RF millivoltmeter to TP2004, and adjust T2003 ~ T2005 in succession several times for peak RF millivoltmeter indication (at least 70 mV).

PLL VCO

- ❑ Connect the DC voltmeter to TP2001. Tune the transceiver display to the frequencies shown in the chart below, and adjust the components listed for the corresponding voltage, or confirm the required voltage.

PLL VCO Alignment

Tune to:	Adjust/Confirm	for
56.000 MHz	adjust TC2005	8.0 ± 0.1 V
48.000 MHz	confirm	3.0 ~ 4.5 V
29.999 MHz	adjust TC2004	8.0 ± 0.1 V
21.500 MHz	confirm	1.0 ~ 2.5 V
21.499 MHz	adjust TC2003	8.0 ± 0.1 V
14.500 MHz	confirm	1.0 ~ 2.0 V
14.499 MHz	adjust TC2002	8.0 ± 0.1 V
7.300 MHz	confirm	1.0 ~ 2.5 V
7.299 MHz	adjust TC2001	8.0 ± 0.1 V
0.030 MHz	confirm	1.0 ~ 2.0 V

PD

- ❑ Tune the transceiver to 0.030 MHz, connect the DC voltmeter to TP2002, and adjust VR2002 for 1.5 ± 0.1 V on the DC voltmeter.

1st Local Output

- ❑ Remove the coaxial plug from J2012, and connect a 50- Ω resistor in parallel with the RF millivoltmeter across the socket. Confirm 0 dBm ± 2 dB on the RF millivoltmeter at 14.200 MHz and 52.000 MHz.

Carrier Level Adjust

- ❑ Connect the RF millivoltmeter to TP1003, and adjust T1039 for maximum indication on the RF millivoltmeter (at least 70 mV).

2nd Local Adjust

- ❑ Connect the RF millivoltmeter to TP1002, and adjust T1023 and T2010 in succession several times for peak RF millivoltmeter indication (at least 0.7 V).
- ❑ Replace the RF millivoltmeter with the frequency counter, and confirm at 60.77 MHz ± 1 kHz on the counter.

Rx Section Adjust

Rx Transformer Coarse Adjust

- ❑ Connect the RF signal generator to the **ANT** jack, and the AC voltmeter across the speaker or an 8- Ω resistor to the **EXT SP** jack on the rear panel.
- ❑ Inject +100 dB μ at 13.800 MHz, and adjust T1013 ~ T1018, T1024 ~ T1026 and T1040 ~ T1043 in succession several times for peak on the AC voltmeter.

1st Mixer Balance

- ❑ Tune the transceiver to 1.800 MHz, and with no signal at the **ANT** jack, adjust VR1001 for minimum noise output.

Rx Carrier Balance

- ❑ Inject +10 dB μ , and adjust VR1008 for peak on the AC voltmeter.

Rx Transformer Adjustment

- Connect the RF signal generator to the **ANT** jack, and inject +80 dB μ at 13.800 MHz.
- Select USB mode, and adjust T1013, T1017, T1018, T1024 ~ T1026 and T1040 ~ T1043 in succession several times for peak **S**-meter indication (adjust the injection level as necessary to keep the meter around mid scale).

Amateur Band BPF Adjust

- Replace the coaxial plug at J1006 with the spectrum analyzer, connect the spectrum analyzer "Tracking Generator output" to J1005, and set **IPO** on.
- Tune the transceiver display to the frequencies shown in the chart below, and adjust the components listed for flat indication on spectrum analyzer display.

Amateur Band BPF Alignment

Tune to:	Adjust
7.150 MHz	T1002, T1003
14.250 MHz	T1004, T1005
21.250 MHz	T1006, T1007
52.000 MHz	T1008, T1009

NOTCH Filter Adjust

- With the same setup as the "Amateur Band BPF Adjust" procedure, tune the transceiver to 50.000 MHz and adjust TC1001 for minimum indication at 68.985 MHz on the spectrum analyzer.
- Remove the spectrum analyzer, and replace the plug in J1006.

MCF Adjust

- Connect the spectrum analyzer to J1008 and "Trigger Generator output" to J1007, then select **AGC** off. Adjust T1014 ~ T1016 for 68.985 MHz \pm 7.0 kHz indication on the spectrum analyzer.

S-Meter Zero Adjust

- Preset the **RF GAIN** control fully clockwise, and adjust VR1006 for a 1 segment **S**-meter deflection.
- Set the **RF GAIN** control for a 3 segment **S**-meter deflection, and adjust VR1006 for 2 segment **S**-meter deflection.

Rx Gain Adjust

- Connect the RF signal generator to the **ANT** jack, and inject +8 dB μ at 13.800 MHz. Select USB mode. Adjust VR1005 for a 1 segment **S**-meter deflection.

S-Meter Full Scale

- Connect the RF signal generator to the **ANT** jack, and inject +100 dB μ at 13.800 MHz. Select USB mode. Adjust VR1007 for S-9 +60 dB on the **S**-meter.

Squelch Threshold

- Select USB mode, and with no signal at the **ANT** jack, set VR1024 fully clockwise and the **SQL** control to the 10-o'clock position.
- Select menu function No. F-11 "SQL", and press **ENT**.
- Select FM mode, and with no signal at the **ANT** jack, set the **SQL** control to the 1-o'clock position.
- Select menu function No. F-12 "FM-SQL", and press **ENT**.

Noise Blanker

- Connect the DC voltmeter to TP1001, and the RF signal generator to the **ANT** jack. Inject +20 dB μ at 13.800 MHz. Set the **NB LEVEL** fully counter-clockwise, and the **NB** switch on.
- Adjust T1019 and T1020 in succession several times for minimum indication on the DC voltmeter (less than 3.0 V).

Alignment

SHIFT Control Center Adjust

- Select menu function No. F-10 "SHIFT", and set the **SHIFT** control to 12-o'clock (the click point), then press **ENT**.

FM Center Meter

- Connect the RF signal generator to the **ANT** jack, and inject +40 dB μ FM at 29.200 MHz.
- Select menu function No. F-10 "E-AMPL", press **ENT** and select "LINE". Confirm center indication on the tuning meter.

Tx section Alignment

IF Transformer Adjust

- With the inline wattmeter and 50- Ω dummy load at the **ANT** jack, preset the **RF PWR** control fully clockwise, **MIC GAIN** control fully counter-clockwise, and VR1018 to the 12-o'clock position. Select CW mode.
- Key the transmitter, and adjust T1027 ~ T1033 and T1038 in succession several times for maximum indication on the **ALC** meter.

CM Coupler Balance

- Connect the 50- Ω dummy load to the **ANT** jack, and the DC voltmeter between J1014 pin 7 and chassis ground. Tune to 24.900 MHz, select CW mode, and preset the **RF PWR** control fully clockwise and VR1018 to the 12-o'clock position.
- Key the transmitter, and adjust TC4001 for minimum indication on the DC voltmeter.

Overcurrent ALC

- Connect the 50- Ω dummy load to the **ANT** jack, preset VR1011, VR1016 and the **RF PWR** control fully clockwise, and VR1018 fully counter-clockwise. Tune to 50.100 MHz CW mode.
- Key the transmitter, and adjust VR1018 so the **ALC** meter just begins to deflect.

Power Output Adjust (HF)

- With the inline wattmeter and 50- Ω dummy load at the **ANT** jack, preset VR1011 and VR1016 fully counter-clockwise, and the **RF PWR** control fully clockwise. Tune to 14.200 MHz CW mode.
- Key the transmitter, and adjust VR1016 for 90 \pm 5 W on the wattmeter.

Power Output Adjust (VHF)

- With the inline wattmeter and 50- Ω dummy load at the **ANT** jack, set the **RF PWR** control fully clockwise. Tune to 52.000 MHz CW mode.
- Key the transmitter, and adjust VR1011 for 90 \pm 5 W on the wattmeter.

50 W Output Adjust

- With the inline wattmeter and 50- Ω dummy load at the **ANT** jack, set the **RF PWR** control fully clockwise, and select CW mode. Then select menu function No. F-23 "POWERTEST" and select "POWER".
- Key the transmitter, adjust VR1013 for 45 ~ 50 W on the wattmeter, and press **ENT**.

10 W Output Adjust

- Select menu function No. F-23 "POWERTEST" and select "POWER".
- Key the transmitter, adjust VR1012 for 9 ~ 10 W on the wattmeter, and press **ENT**.

Minimum Power Output Adjust

- Preset the **RF PWR** control fully counter-clockwise, select menu function No. F-23 "POWERTEST", and select "POWER".
- Key the transmitter, and adjust VR1015 for 10 \pm 1 W on the wattmeter. Then select "OFF" and press **ENT**.

SSB BM Adjust

- With the inline wattmeter and 50-Ω dummy load at the **ANT** jack, preset the **MIC GAIN** control fully counter-clockwise, and select SSB mode.
- Key the transmitter, and adjust VR1004 for minimum indication on the meter.

Tx IF Gain

- Preset VR1002 fully clockwise.

Tx IF Gain (Final Adjust)

- Preset VR1019 to the 12-o'clock position. With the inline wattmeter and 50-Ω dummy load at the **ANT** jack, connect the AF generator to the **MIC** jack.
- Inject 0.4 mV at 1 kHz, select a menu function in the chart below, press **ENT** then key the transmitter, and adjust the **VFO-B** dial for 75 ± 5 W on the meter. Then press **ENT** again.
- Repeat for each frequency in the chart.

Tx IF Gain (Final)

Tune to:	Menu
1.900 MHz	F--13 TGRIND1
3.750 MHz	F--14 TGRIND3
7.250 MHz	F--15 TGRIND7
10.250 MHz	F--16 TGRIND8
14.250 MHz	F--17 TGRIND4
18.250 MHz	F--18 TGRIND8
21.250 MHz	F--19 TGRIND21
24.750 MHz	F--20 TGRIND24
29.000 MHz	F--21 TGRIND28
52.000 MHz	F--22 TGRIND50

ALC Meter Sensitivity

- Connect the AF generator to the **MIC** jack, and preset the **RF PWR** control fully clockwise.
- Inject 3 mV at 1 kHz, key the transmitter, and adjust the **MIC GAIN** control so the **ALC** meter just begins deflect.
- Increase the injection level to 7.5 mV, and adjust VR1019 so the **ALC** meter deflects to the top edge of the **ALC** zone.

PO Meter Adjust

- With the wattmeter and 50-Ω dummy load connected to the **ANT** jack, select CW mode and set the meter to read power output:
- Key the transmitter, and adjust the **RF PWR** control for 100 W on the wattmeter. Then adjust VR1021 so the **PO** meter also indicates 100 W.

Tx RF Gain

- With the wattmeter and 50-Ω dummy load connected to the **ANT** jack, select CW mode and preset VR1010 to the 12-o'clock position.
- Key the transmitter, and preset the **RF PWR** control for 10 W on the wattmeter. Then adjust VR1009 so the **ALC** meter deflects to the top edge of the **ALC** zone.

Tx LPF Notch Adjust

- With the attenuator and spectrum analyzer connected to the **ANT** jack, select CW mode, preset the **RF PWR** control fully clockwise, and tune to 52.000 MHz.
- Key the transmitter, and adjust TC1002 for minimum 68.985 MHz spurious on the spectrum analyzer display.

REV ALC Adjust

- Connect the 16.6-Ω dummy load (or three 50-Ω loads in parallel) to the **ANT** jack, preset the **RF PWR** control fully clockwise and select CW mode.
- Key the transmitter, and adjust VR1017 for 50 W on the **PO** meter.

SWR Meter

- With the 16.6-Ω dummy load (or three 50-Ω loads in parallel) connected to the **ANT** jack, preset the **RF PWR** control fully clockwise, tune the transceiver to 3.750 MHz and select CW mode.
- Key the transmitter, and adjust VR1022 so the **SWR** meter indicates 3.0:1 SWR.

Alignment

IC (AMP) Meter

- Connect the wattmeter and 50-Ω dummy load to the **ANT** jack, select CW mode and set the meter to read **IC**. Preset the **RF PWR** control fully clockwise.
- Key the transmitter, and confirm 14 ~ 18 dot **IC** meter indication.

AM Tx Output

- With the wattmeter and 50-Ω dummy load connected to the **ANT** jack, select AM mode, preset the **RF PWR** control fully clockwise and **MIC GAIN** control fully counter-clockwise.
- Key the transmitter, and adjust VR1014 for 25 ± 2 W on the wattmeter.

AM Modulation

- Install the optional AM filter YF-116A (see operating manual), if necessary. Connect the oscilloscope and attenuator to the **ANT** jack, and connect the AF generator to the **MIC** jack. Preset the **MIC GAIN** and **RF PWR** controls fully clockwise, and select 14.200 MHz CW mode.
- Inject 5 mV at 1 kHz and select menu function No. F-03 "AM-MOD". Press **ENT**.
- Key the transceiver, and adjust the **VFO-B** dial for 100% modulated signal on the oscilloscope (at least 80%). Then press **ENT**.

DTMF Deviation

- Install the optional FM-1 FM Unit (see operating manual), if necessary. Connect the linear detector and attenuator to the **ANT** jack, and select 29.200 MHz FM (wide) mode.
- Select menu function No. F-26 "DTMF DEV". Key the transmitter and press and hold the "1" key, then adjust the **VFO-B** dial for ±3.0 kHz (±0.5 kHz) deviation on the linear detector. Then press **ENT**.

CTCSS Tone Deviation

- Install the optional FM-1 FM Unit (see operating manual), if necessary. With the linear detector and attenuator connected to the **ANT** jack, select 29.200 MHz FM (narrow) mode and 88.5 Hz tone frequency.
- Select menu function No. F-24 "ENC-NB". Key the transmitter, and adjust the **VFO-B** dial for ±0.7 kHz (±0.1 kHz) deviation on the linear detector.
- Select FM (wide) mode and menu function No. F-25 "ENC-WB". Key the transmitter, and adjust the **VFO-B** dial for ±0.7 kHz (±0.1 kHz) deviation on the linear detector. Then press **ENT**.

FM Mic Gain

- Install the optional FM-1 FM Unit (see operating manual), if necessary. With the linear detector and attenuator connected to the **ANT** jack, connect the AF generator to the **MIC** jack, and select 29.200 MHz FM (narrow) mode.
- Inject 2.0 mV at 1 kHz, key the transmitter, and adjust VR1003 for ±1.75 kHz (±0.1 kHz) deviation on the linear detector.

Tx Carrier Point

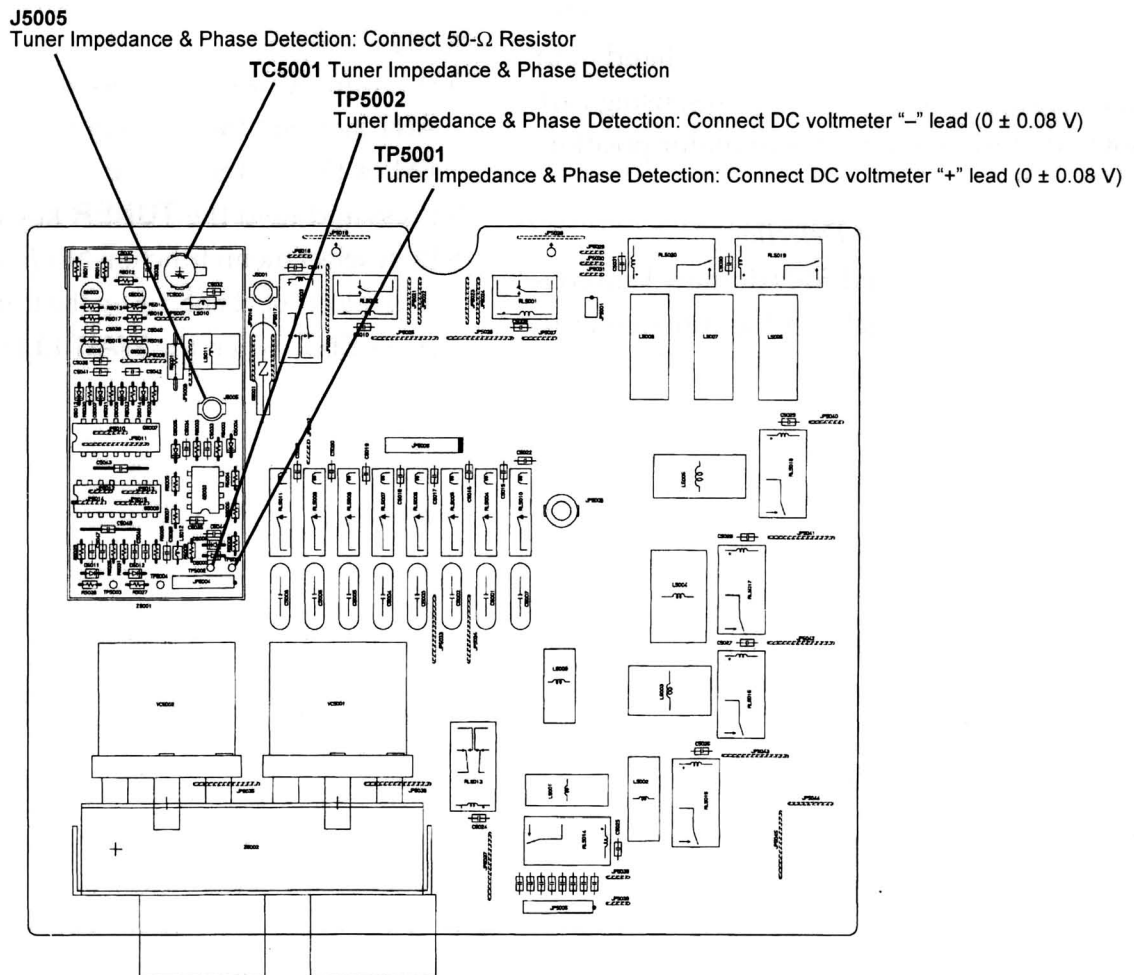
- Connect the wattmeter and 50-Ω dummy load to the **ANT** jack and the AF generator to the **MIC** jack. Preset the **RF PWR** and **MIC GAIN** fully clockwise, and select LSB mode. Adjust the injection level to the point where the **ALC** meter no longer deflects.
- Select menu function No. F-28 "LSB-TCR", and preset "0.000".
- Key the transmitter, and adjust the injection frequency for peak RF output. Then adjust the **VFO-B** dial for 80 W on the wattmeter.

- ❑ Tune the injection frequency to 350 Hz, and adjust the **VFO-B** dial for 20 W on the wattmeter. Then retune the injection frequency to 2600 Hz, and confirm at least 20 W on the wattmeter. Press **ENT**.
- ❑ Select menu function No. *F--31 "USB-TCR"*, and preset "0.000".
- ❑ Key the transmitter, and adjust the injection frequency for peak RF output. Then adjust the **VFO-B** dial for 80 W on the wattmeter.
- ❑ Tune the injection frequency to 350 Hz, and adjust the **VFO-B** dial for 20 W on the wattmeter. Then retune the injection frequency to

2600 Hz, and confirm at least 20 W on the wattmeter. Press **ENT**.

Rx Carrier Point

- ❑ Select menu function No. *F--27 "LSB-RCR"*. Press **ENT**, and tune the **VFO-B** dial for the same display indication as menu No. *F--28 "LSB-TCR"*. Then press **ENT**.
- ❑ Select menu function No. *F--30 "USB-RCR"*. Press **ENT**, and tune the **VFO-B** dial for the same display indication as menu No. *F--31 "USB-TCR"*. Then press **ENT**.



TUNER-MAIN Unit Test & Alignment Points

Alignment

BEEP Level

- Preset VR2501 to the 10-o'clock position.

Antenna Tuner

Tuning Capacitor/Motor (Mechanical check, setting & adjustment)

- Loosen all setscrews in the shaft coupler, and turn the coupler by hand to confirm it moves freely (the motor and capacitor should not move).
- If the coupler binds, check the motor mounting position (it is soldered in place) and the capacitor mounting (screw).
- Select menu function No. F-05 "TUN-W", select "u[- t u]" and press **ENT**. The motor should rotate, and then stop.
- Set the capacitor to its maximum capacitance position (plates fully meshed) by hand, and tighten all shaft coupler setscrews, using care not to disturb the capacitor or motor position.

Tuner Impedance & Phase Detection

- With the wattmeter and 50-Ω dummy load connected to the **ANT** jack, set the transceiver to

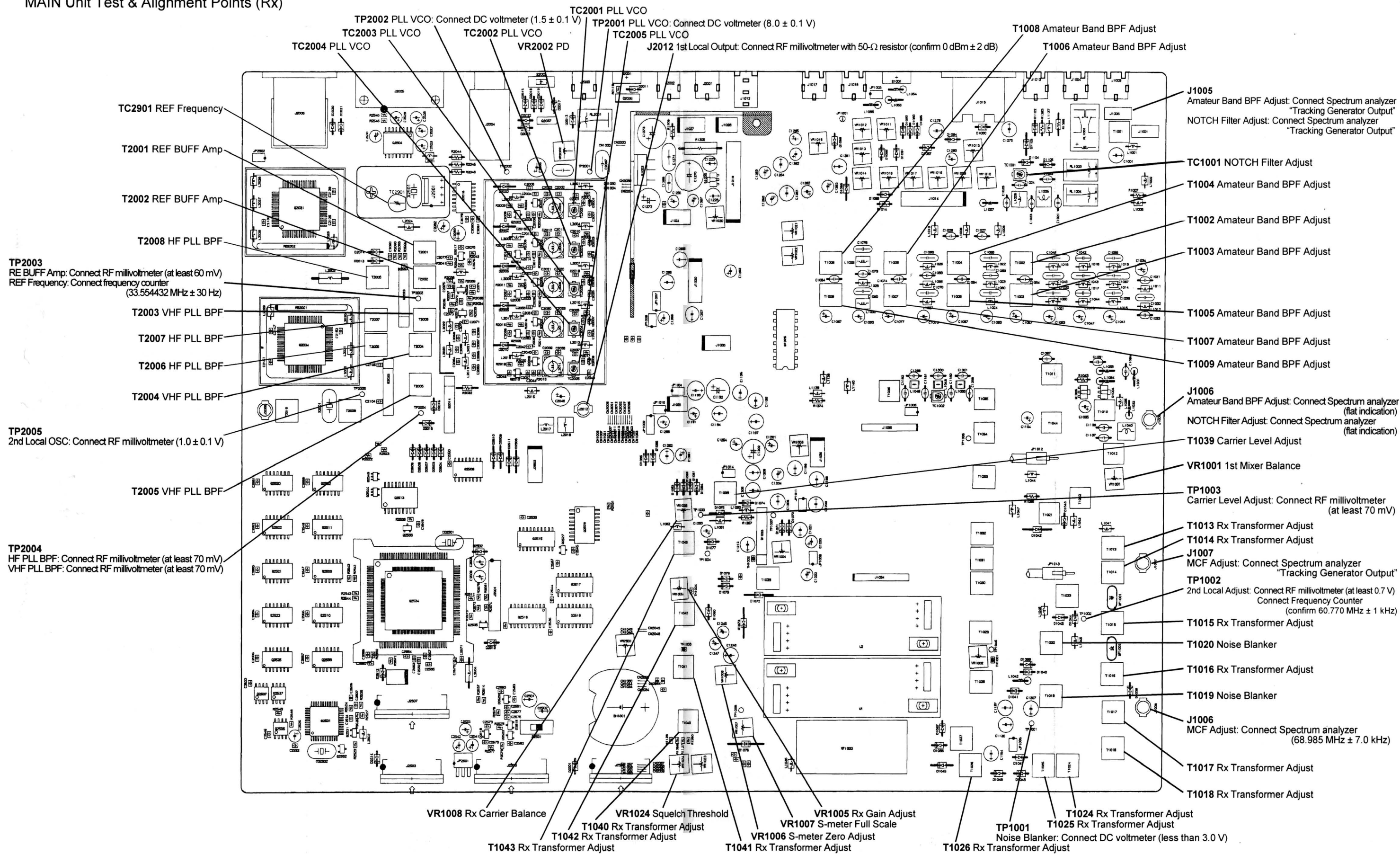
24.900 MHz, FM or DATA LSB mode, **TUNER** off. Key the transmitter, and adjust the **RF PWR** control for 50 W on the wattmeter.

- Remove the coaxial plug from J5005 and connect a 50-Ω resistor, and connect the DC voltmeter to TP5001 ("+" lead) and TP5002 ("- lead).
- Press the **TUNER** key, then key the transmitter, and adjust TC5001 for voltmeter indication within 0 ± 0.08 V.
- Set the **TUNER** on, select menu mode No. F-05 "TUN-W", and select "EEP on".
- Tune the transceiver to the center of each amateur band, key the transmitter, and adjust the **RF PWR** control for 50 W on the wattmeter, then press **ENT** (when the **WAIT** LED turns on).

Reverse Backlash

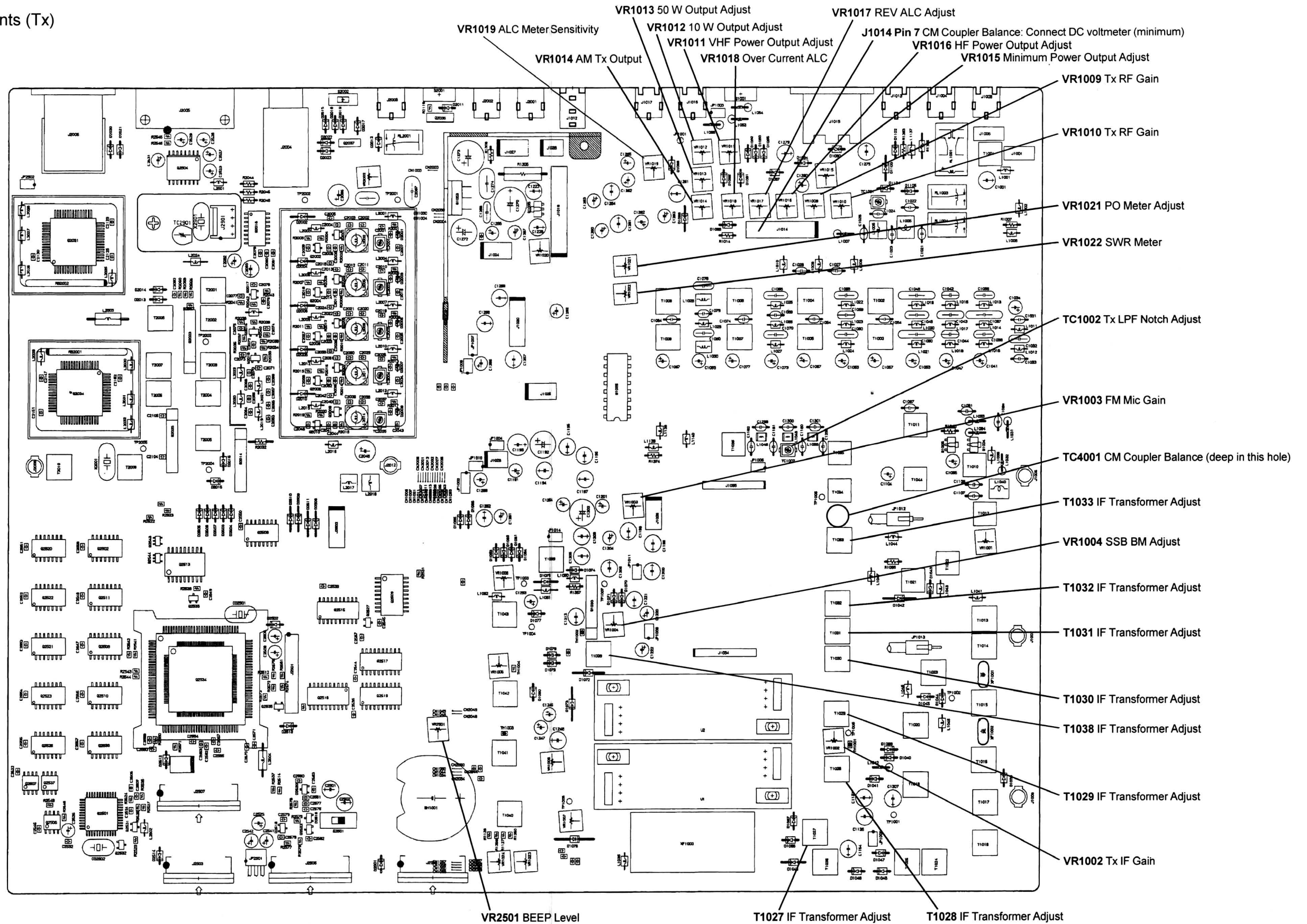
- With the 50-Ω dummy load connected to the **ANT** jack, set the transceiver to 14.200 MHz, FM or DATA LSB mode.
- Press and hold the **TUNER** key for ½ second, then select menu function No. F-05 "TUN-W", and select "u[- t u]". Key the transmitter, then press **ENT** (when the **WAIT** LED turns on).

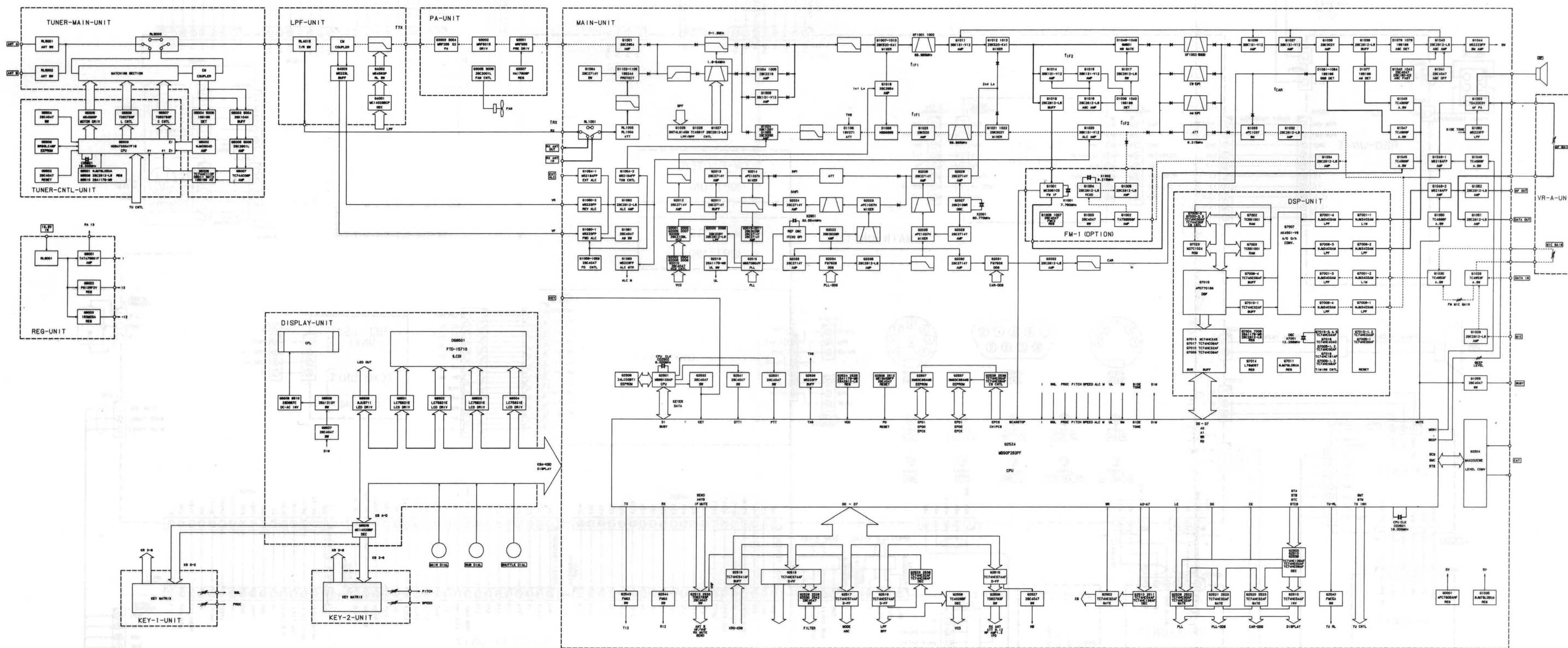
MAIN Unit Test & Alignment Points (Rx)



Alignment

MAIN Unit Test & Alignment Points (Tx)

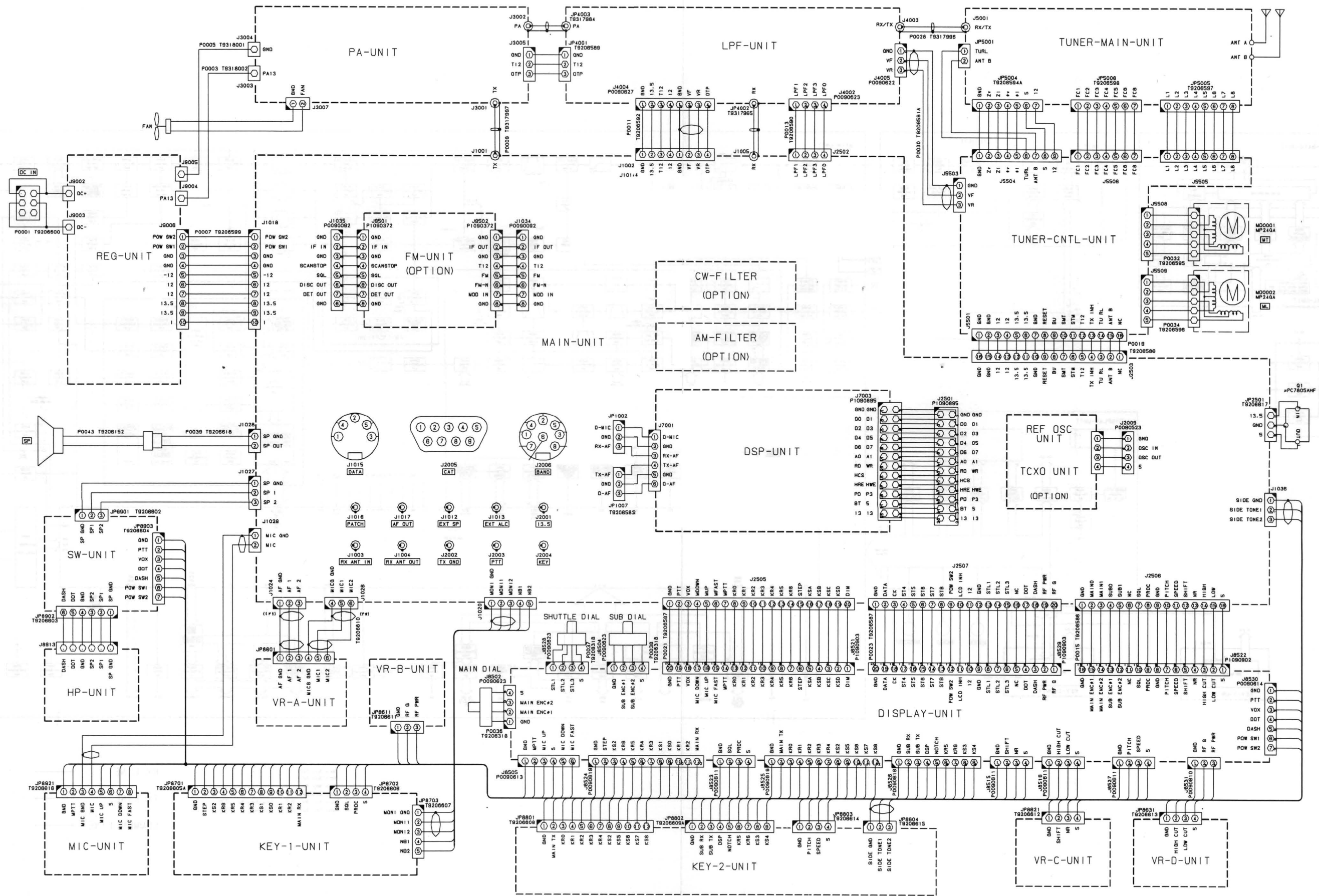




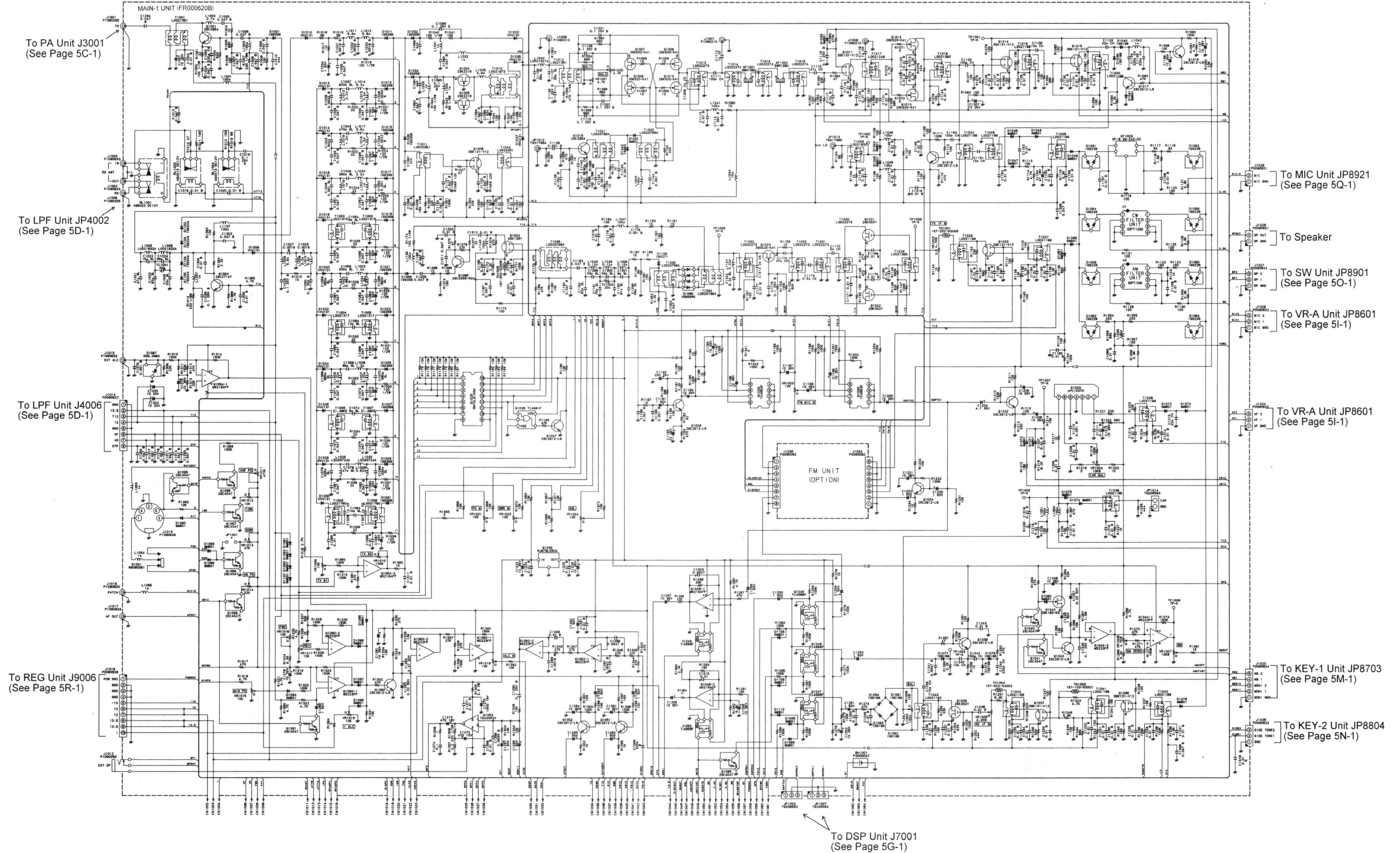
fex = f_{L1} - f_{fr1}
 frx = f_{L1} - f_{fr1}
 f_{L1} = fex + f_{fr1}
 f_{L2} = 80.77MHz
 frf1 = f_{L1} - fex (RX) f_{fr1} = f_{car} + f_{L2} (TX)
 frf2 = frf1 - f_{L2} (RX) f_{fr2} = f_{car} (TX)

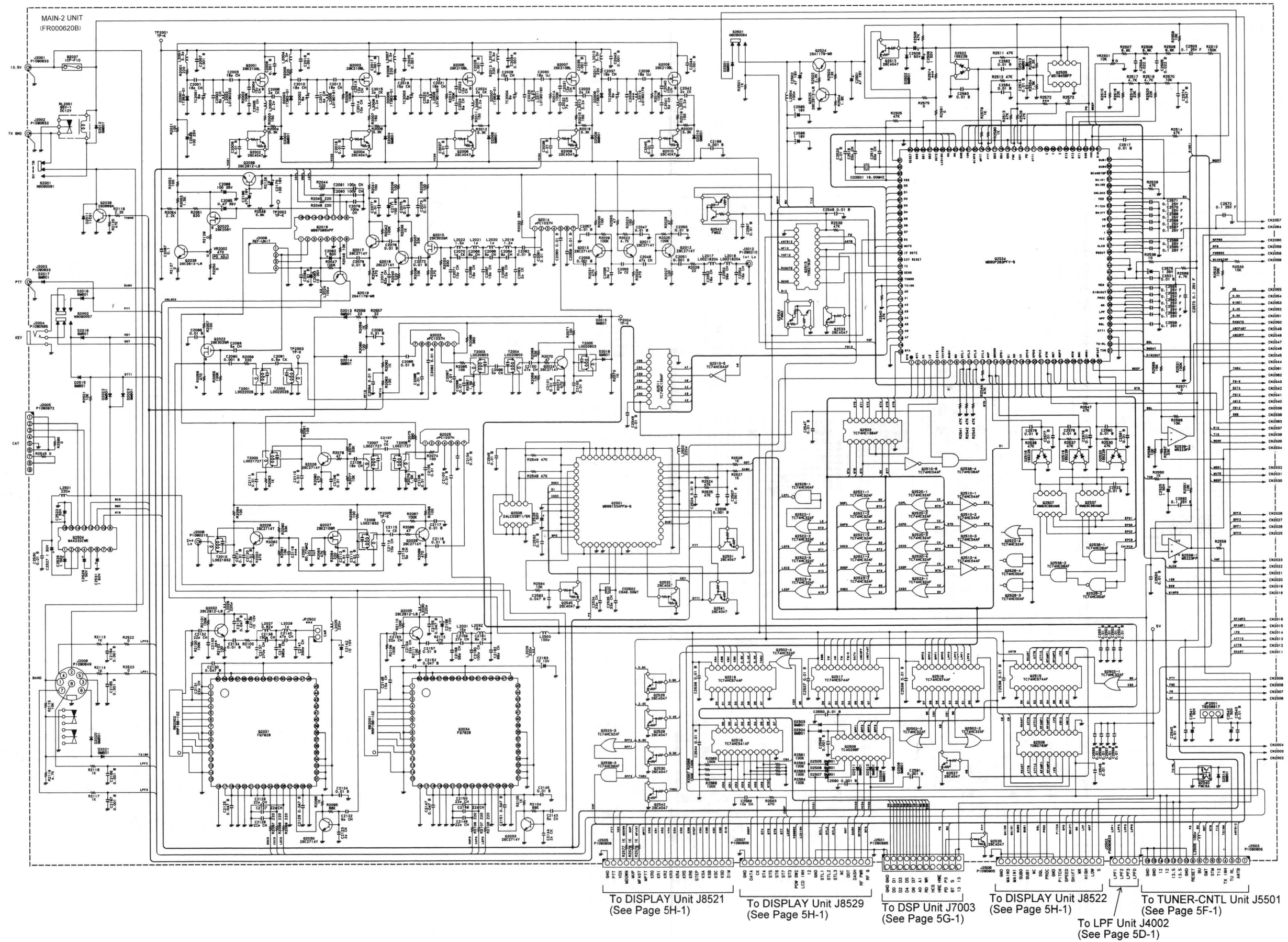
RX LINE ———
 TX LINE - - - - -
 COMMON LINE ———

Interconnection Diagram

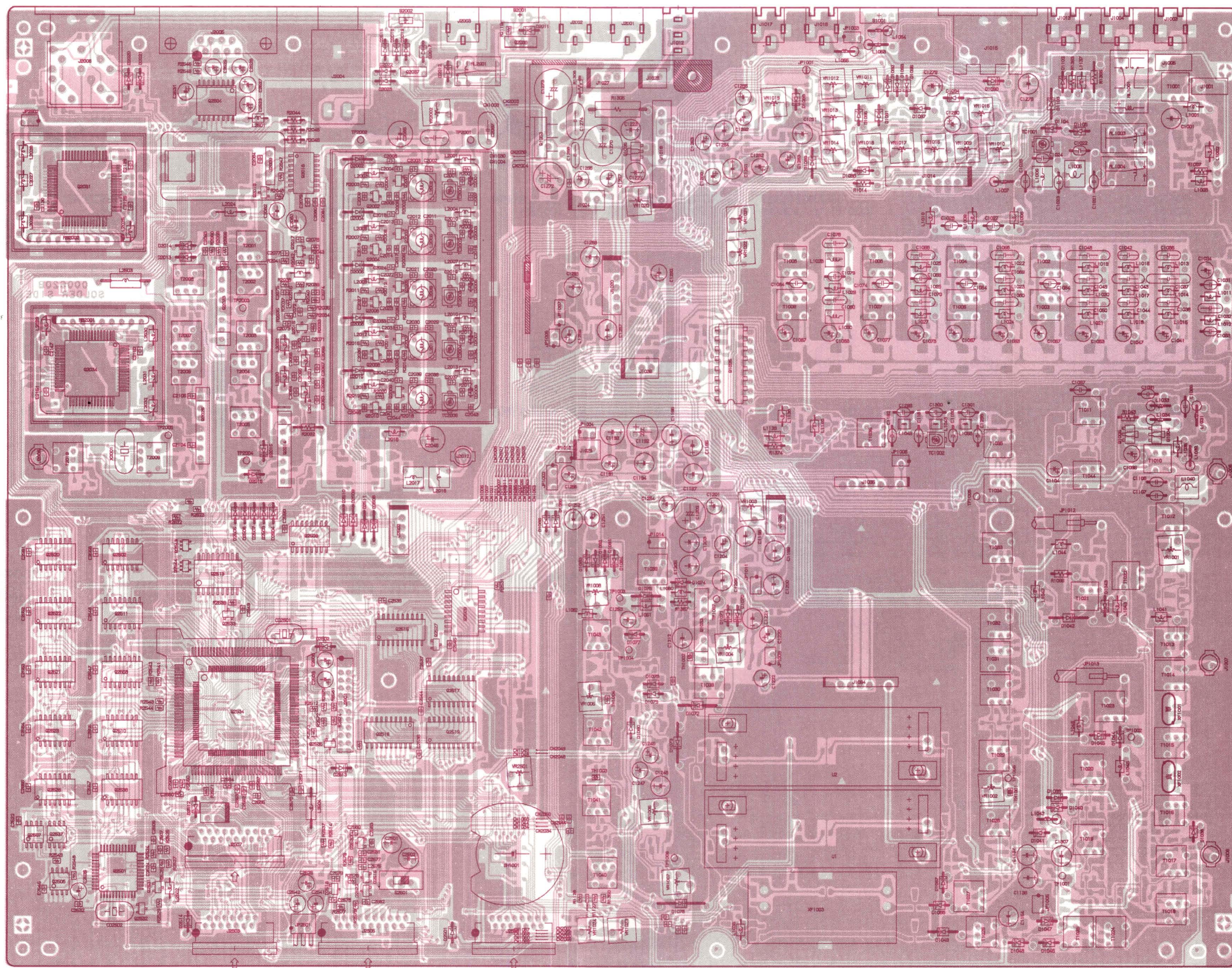
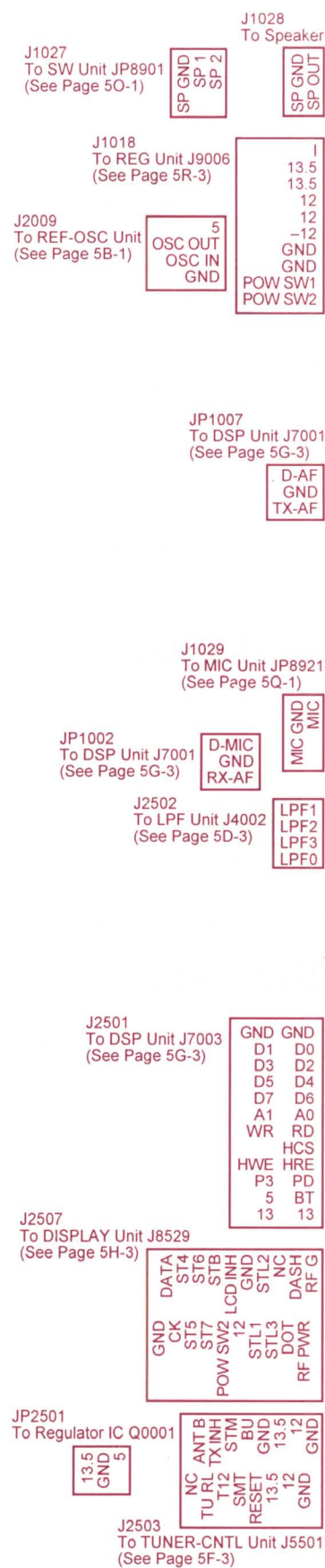


Circuit Diagram

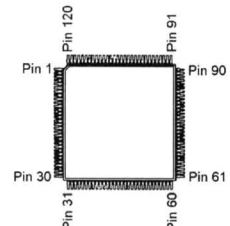




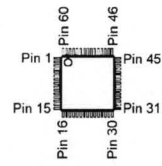
Parts Layout



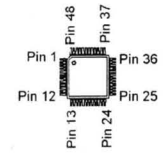
Component Side



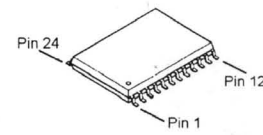
MB90P263PF
(Q2534)



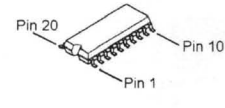
FQ7928
(Q2031, 2034)



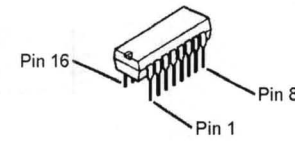
MB89133APFM
(Q2501)



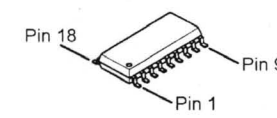
MB87086APF
(Q2018)



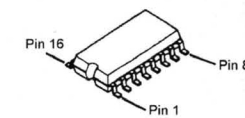
TC74HC541AF
(Q2519)



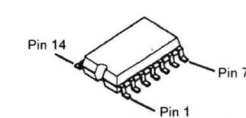
SN74LS145N
(Q1025)



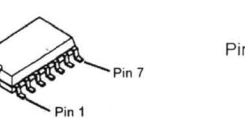
TD62783F
(Q2509, 2513)



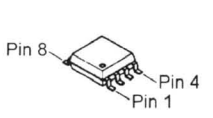
TC4028BF
(Q2508)
TC74HC138AF
(Q2503, 2511)
TC74HC574AF
(Q2515, 2516, 2517, 2518)



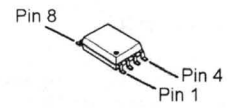
TC74HC00AF
(Q2526)
TC74HC04AF
(Q2510)



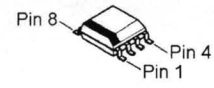
TC74HC08AF
(Q2538)
TC74HC32AF
(Q2502, 2520, 2521, 2522, 2523)



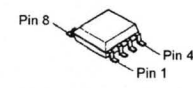
M5223FP
(Q1044, 1060, 1062, 1083, 2539)
M51945BFP
(Q2505)
NM93C86AM
(Q2507, 2537)



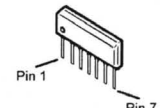
M5218AFP
(Q1048, 1054)



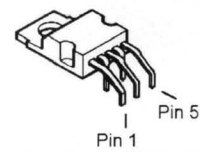
24LC02BTI
(Q2506)



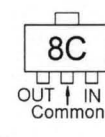
TC4W53F
(Q1029, 1030)



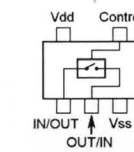
μPC1037H
(Q1033, 2014, 2023, 2025)



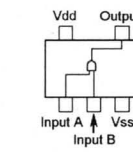
TDA2003
(Q1053)



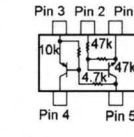
NJM78L05UA (8C)
(Q1035)



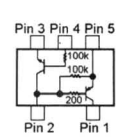
TC4S66F (C9)
(Q1045, 1046, 1047, 1049, 1050)



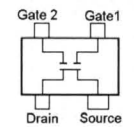
TC4S81F (C2)
(Q1026)



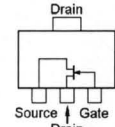
FMC5A (C5)
(Q2540)



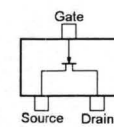
FMQ2 (Q2)
(Q2543, 2544)



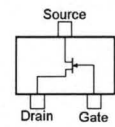
3SK131 (V12)
(Q1006, 1011, 1014, 1015, 1020, 1036, 1037)
3SK126Y (UC)
(Q1024)



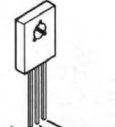
2SK2218 (KN)
(Q1004, 1005)



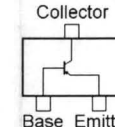
2SK160 (K5)
(Q1042)
2SK208Y (JY)
(Q2020)
2SK520 (K41)
(Q1007, 1008, 1009, 1010, 1012, 1013)



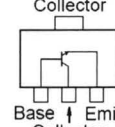
2SK210BL (YB)
(Q2001, 2003, 2005, 2007, 2009)
2SK210GR (YG)
(Q2027)
2SK302GR (TG)
(Q2015, 2022)
2SK302Y (TY)
(Q1021, 1022, 1038)



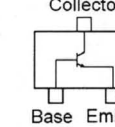
2SD669
(Q2036)



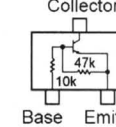
2SA1179 (M6)
(Q2019, 2524)



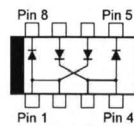
2SC2954 (QK)
(Q1001, 1018)



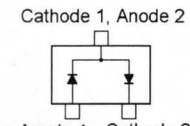
2SC2714Y (QY)
(Q1023, 1084, 2011, 2012, 2013, 2016, 2017, 2024, 2026, 2028, 2029, 2030, 2033)
2SC3356 (R23)
(Q1065)
2SC2812 (L6)
(Q1016, 1017, 1019, 1027, 1028, 1031, 1032, 1034, 1039, 1043, 1051, 1052, 1082, 2032, 2035, 2038, 2525)



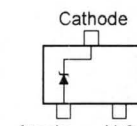
2SC4047 (ZY)
(Q1040, 1041, 1055, 1056, 1057, 1058, 1059, 1061, 2002, 2004, 2006, 2008, 2010, 2512, 2527, 2528, 2529, 2530, 2531, 2532, 2533, 2535, 2541, 2542)



HSB88WSTR
(D1068)

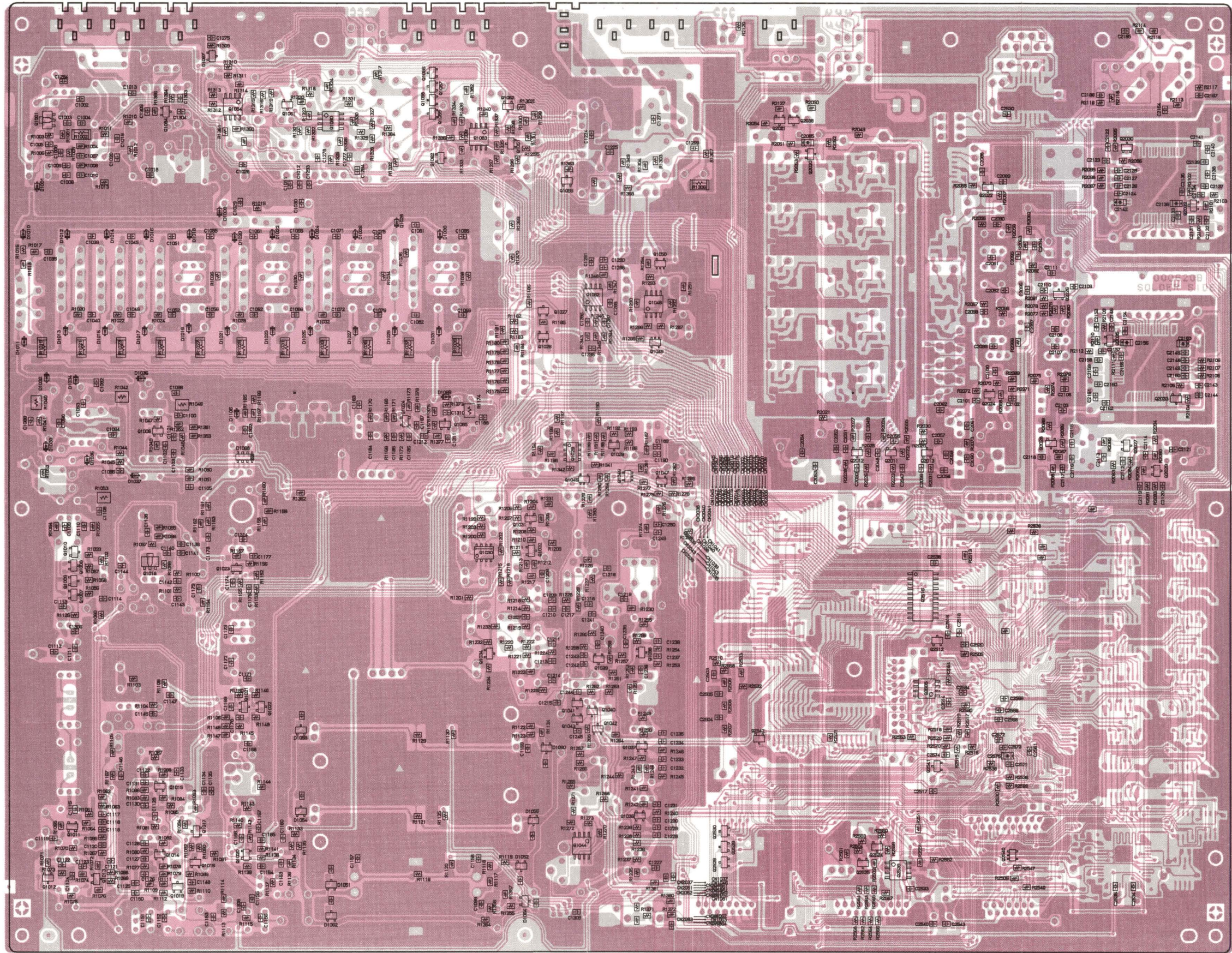


1SS226 (C3)
(D1051, 1052, 1054, 1056, 1058, 1060, 1062, 1064, 2516, 2518, 2520, 2522)



RD8.2MB2 (822)
(D1087)

Downloaded by
RadioAmateur.EU



Chip Side

Parts List

REF.	DESCRIPTION	VALUE	WV	TOL.	MFGR'S DESIG	YAESU P/N	VERS.	LOT.	LAY ADR
*** MAIN UNIT ***									
PCB with Components						CP5724001			
Printed Circuit Board						FR000620B			
BH1001	BATT.HOLDER				HL32-A2	P2000047			
C 1001	AL.ELECTRO.CAP.	10uF	35V		35V100M5X7TR2	K46160005			
C 1002	CHIP CAP.	0.01uF	50V	B	GRM40B103M50PT	K22170817			
C 1003	CHIP CAP.	220pF	50V	CH	GRM40CH221J50PT	K22170243			
C 1004	CHIP CAP.	0.047uF	50V	B	GRM40B473M50PT	K22170823			
C 1005	CHIP CAP.	0.047uF	50V	B	GRM40B473M50PT	K22170823			
C 1006	CHIP CAP.	0.047uF	50V	B	GRM40B473M50PT	K22170823			
C 1007	CHIP CAP.	0.047uF	50V	B	GRM40B473M50PT	K22170823			
C 1008	CHIP CAP.	0.047uF	50V	B	GRM40B473M50PT	K22170823			
C 1009	CHIP CAP.	0.047uF	50V	B	GRM40B473M50PT	K22170823			
C 1011	CHIP CAP.	0.047uF	50V	B	GRM40B473M50PT	K22170823			
C 1012	CHIP CAP.	0.047uF	50V	B	GRM40B473M50PT	K22170823			
C 1013	CHIP CAP.	0.047uF	50V	B	GRM40B473M50PT	K22170823			
C 1018	CHIP CAP.	0.1uF	25V	B	GRM40B104M25PT	K22140811			
C 1019	CHIP CAP.	0.01uF	50V	B	GRM40B103M50PT	K22170817			
C 1020	CHIP CAP.	0.01uF	50V	B	GRM40B103M50PT	K22170817			
C 1021	CERAMIC CAP.	47pF	50V	SL	DD104-979SL470J50	K26171021			
C 1022	CERAMIC CAP.	15pF	50V	SL	DD104-979SL150J50	K26171009			
C 1023	CERAMIC CAP.	82pF	50V	SL	DD104-979SL820J50	K26171027			
C 1024	CERAMIC CAP.	56pF	50V	SL	DD104-979SL560J50	K26171023			
C 1025	CERAMIC CAP.	33pF	50V	SL	DD104-979SL330J50	K26171017			
C 1026	CHIP CAP.	0.1uF	25V	B	GRM40B104M25PT	K22140811			
C 1027	CERAMIC CAP.	0.0018uF	50V	B	DD105-979B182K50	K26171617			
C 1028	CERAMIC CAP.	0.0018uF	50V	B	DD105-979B182K50	K26171617			
C 1029	CHIP CAP.	0.1uF	25V	B	GRM40B104M25PT	K22140811			
C 1030	CHIP CAP.	0.1uF	25V	B	GRM40B104M25PT	K22140811			
C 1031	CERAMIC CAP.	0.0018uF	50V	B	DD105-979B182K50	K26171617			
C 1032	CERAMIC CAP.	0.0033uF	50V	B	DD107-979B332K50	K26171620			
C 1033	CERAMIC CAP.	0.0018uF	50V	B	DD105-979B182K50	K26171617			
C 1034	AL.ELECTRO.CAP.	1uF	50V		50V010M4X7TR2	K46170030			
C 1035	CHIP CAP.	0.047uF	50V	B	GRM40B473M50PT	K22170823			
C 1036	CERAMIC CAP.	0.0033uF	50V	B	DD107-979B332K50	K26171620			
C 1037	CERAMIC CAP.	820pF	50V	SL	DD112-979SL821J50	K26171051			
C 1038	CERAMIC CAP.	0.0033uF	50V	B	DD107-979B332K50	K26171620			
C 1039	CHIP CAP.	0.047uF	50V	B	GRM40B473M50PT	K22170823			
C 1040	CHIP CAP.	0.047uF	50V	B	GRM40B473M50PT	K22170823			
C 1041	AL.ELECTRO.CAP.	1uF	50V		50V010M4X7TR2	K46170030			
C 1042	CERAMIC CAP.	0.0022uF	50V	B	DD106-979B222K50	K26171618			
C 1043	CERAMIC CAP.	470pF	50V	SL	DD109-979SL471J50	K26171045			
C 1044	CERAMIC CAP.	0.0022uF	50V	B	DD106-979B222K50	K26171618			
C 1045	CHIP CAP.	0.047uF	50V	B	GRM40B473M50PT	K22170823			
C 1046	CHIP CAP.	0.047uF	50V	B	GRM40B473M50PT	K22170823			
C 1047	AL.ELECTRO.CAP.	1uF	50V		50V010M4X7TR2	K46170030			
C 1048	CERAMIC CAP.	0.001uF	50V	SL	DD112-979SL102J50	K26171053			
C 1049	CERAMIC CAP.	390pF	50V	SL	DD108-979SL391J50	K26171043			
C 1050	CERAMIC CAP.	0.001uF	50V	SL	DD112-979SL102J50	K26171053			
C 1051	CHIP CAP.	0.047uF	50V	B	GRM40B473M50PT	K22170823			
C 1052	CHIP CAP.	0.047uF	50V	B	GRM40B473M50PT	K22170823			
C 1053	AL.ELECTRO.CAP.	1uF	50V		50V010M4X7TR2	K46170030			
C 1054	CERAMIC CAP.	6pF	50V	SL	DD104-979SL060D50	K26171001			
C 1055	CHIP CAP.	0.047uF	50V	B	GRM40B473M50PT	K22170823			
C 1056	CHIP CAP.	0.047uF	50V	B	GRM40B473M50PT	K22170823			
C 1057	AL.ELECTRO.CAP.	1uF	50V		50V010M4X7TR2	K46170030			
C 1058	CERAMIC CAP.	360pF	50V	SL	DD108-979SL361J50	K26171042			
C 1059	CERAMIC CAP.	200pF	50V	SL	DD106-979SL201J50	K26171036			
C 1060	CERAMIC CAP.	360pF	50V	SL	DD108-979SL361J50	K26171042			
C 1061	CHIP CAP.	0.047uF	50V	B	GRM40B473M50PT	K22170823			

MAIN Unit

REF.	DESCRIPTION	VALUE	WV	TOL.	MFGR'S DESIG	YAESU P/N	VERS.	LOT.	LAY ADR
C 1062	CHIP CAP.	0.047uF	50V	B	GRM40B473M50PT	K22170823			
C 1063	AL.ELECTRO.CAP.	1uF	50V		50V010M4X7TR2	K46170030			
C 1064	CERAMIC CAP.	12pF	50V	SL	DD104-979SL120J50	K26171007			
C 1065	CHIP CAP.	0.047uF	50V	B	GRM40B473M50PT	K22170823			
C 1066	CHIP CAP.	0.047uF	50V	B	GRM40B473M50PT	K22170823			
C 1067	AL.ELECTRO.CAP.	1uF	50V		50V010M4X7TR2	K46170030			
C 1068	CERAMIC CAP.	360pF	50V	SL	DD108-979SL361J50	K26171042			
C 1069	CERAMIC CAP.	68pF	50V	SL	DD104-979SL680J50	K26171025			
C 1070	CERAMIC CAP.	360pF	50V	SL	DD108-979SL361J50	K26171042			
C 1071	CHIP CAP.	0.047uF	50V	B	GRM40B473M50PT	K22170823			
C 1072	CHIP CAP.	0.047uF	50V	B	GRM40B473M50PT	K22170823			
C 1073	AL.ELECTRO.CAP.	1uF	50V		50V010M4X7TR2	K46170030			
C 1074	CERAMIC CAP.	8pF	50V	SL	DD104-979SL080D50	K26171003			
C 1075	CHIP CAP.	0.047uF	50V	B	GRM40B473M50PT	K22170823			
C 1076	CHIP CAP.	0.047uF	50V	B	GRM40B473M50PT	K22170823			
C 1077	AL.ELECTRO.CAP.	1uF	50V		50V010M4X7TR2	K46170030			
C 1078	CERAMIC CAP.	330pF	50V	SL	DD107-979SL331J50	K26171041			
C 1079	CERAMIC CAP.	47pF	50V	SL	DD104-979SL470J50	K26171021			
C 1080	CERAMIC CAP.	330pF	50V	SL	DD107-979SL331J50	K26171041			
C 1081	CHIP CAP.	0.047uF	50V	B	GRM40B473M50PT	K22170823			
C 1082	CHIP CAP.	0.047uF	50V	B	GRM40B473M50PT	K22170823			
C 1083	AL.ELECTRO.CAP.	1uF	50V		50V010M4X7TR2	K46170030			
C 1084	CERAMIC CAP.	10pF	50V	SL	DD104-979SL100D50	K26171005			
C 1085	CHIP CAP.	0.01uF	50V	B	GRM40B103M50PT	K22170817			
C 1086	CHIP CAP.	0.01uF	50V	B	GRM40B103M50PT	K22170817			
C 1087	AL.ELECTRO.CAP.	1uF	50V		50V010M4X7TR2	K46170030			
C 1089	CHIP CAP.	0.1uF	25V	B	GRM40B104M25PT	K22140811			
C 1090	CHIP CAP.	0.047uF	50V	B	GRM40B473M50PT	K22170823			
C 1092	CHIP CAP.	0.047uF	50V	B	GRM40B473M50PT	K22170823			
C 1093	CHIP CAP.	0.1uF	25V	B	GRM40B104M25PT	K22140811			
C 1094	CHIP CAP.	0.047uF	50V	B	GRM40B473M50PT	K22170823			
C 1095	AL.ELECTRO.CAP.	1uF	50V		50V010M4X7TR2	K46170030			
C 1096	CHIP CAP.	0.1uF	25V	B	GRM40B104M25PT	K22140811			
C 1098	CHIP CAP.	0.01uF	50V	B	GRM40B103M50PT	K22170817			
C 1099	CHIP CAP.	0.01uF	50V	B	GRM40B103M50PT	K22170817			
C 1100	CHIP CAP.	0.047uF	50V	B	GRM40B473M50PT	K22170823			
C 1101	CHIP CAP.	0.047uF	50V	B	GRM40B473M50PT	K22170823			
C 1102	CHIP CAP.	0.047uF	50V	B	GRM40B473M50PT	K22170823			
C 1103	CHIP CAP.	0.01uF	50V	B	GRM40B103M50PT	K22170817			
C 1104	AL.ELECTRO.CAP.	1uF	50V		50V010M4X7TR2	K46170030			
C 1105	CHIP CAP.	0.01uF	50V	B	GRM40B103M50PT	K22170817			
C 1106	CERAMIC CAP.	68pF	50V	SL	DD104-979SL680J50	K26171025			
C 1107	CERAMIC CAP.	56pF	50V	SL	DD104-979SL560J50	K26171023			
C 1108	CHIP CAP.	0.1uF	25V	B	GRM40B104M25PT	K22140811			
C 1109	CHIP CAP.	0.1uF	25V	B	GRM40B104M25PT	K22140811			
C 1110	CHIP CAP.	0.1uF	25V	B	GRM40B104M25PT	K22140811			
C 1111	CHIP CAP.	100pF	50V	CH	GRM40CH101J50PT	K22170235			
C 1112	CHIP CAP.	1pF	50V	CK	GRM40CK010C50PT	K22170202			
C 1113	CHIP CAP.	0.01uF	50V	B	GRM40B103M50PT	K22170817			
C 1114	CHIP CAP.	0.1uF	25V	B	GRM40B104M25PT	K22140811			
C 1115	CHIP CAP.	47pF	50V	CH	GRM40CH470J50PT	K22170227			
C 1116	CHIP CAP.	0.1uF	25V	B	GRM40B104M25PT	K22140811			
C 1117	CHIP CAP.	0.01uF	50V	B	GRM40B103M50PT	K22170817			
C 1118	CHIP CAP.	0.01uF	50V	B	GRM40B103M50PT	K22170817			
C 1119	CHIP CAP.	1pF	50V	CK	GRM40CK010C50PT	K22170202			
C 1120	CHIP CAP.	0.01uF	50V	B	GRM40B103M50PT	K22170817			
C 1121	CHIP CAP.	0.01uF	50V	B	GRM40B103M50PT	K22170817			
C 1122	CHIP CAP.	0.01uF	50V	B	GRM40B103M50PT	K22170817			
C 1123	CHIP CAP.	0.01uF	50V	B	GRM40B103M50PT	K22170817			
C 1124	CHIP CAP.	0.01uF	50V	B	GRM40B103M50PT	K22170817			

REF.	DESCRIPTION	VALUE	WV	TOL.	MFGR'S DESIG	YAESU P/N	VERS.	LOT.	LAY ADR
C 1125	CHIP CAP.	100pF	50V	CH	GRM40CH101J50PT	K22170235			
C 1126	CHIP CAP.	0.01uF	50V	B	GRM40B103M50PT	K22170817			
C 1127	CHIP CAP.	0.01uF	50V	B	GRM40B103M50PT	K22170817			
C 1128	CHIP CAP.	0.01uF	50V	B	GRM40B103M50PT	K22170817			
C 1129	CHIP CAP.	10pF	50V	CH	GRM40CH100D50PT	K22170211			
C 1130	CHIP CAP.	0.01uF	50V	B	GRM40B103M50PT	K22170817			
C 1131	CHIP CAP.	0.01uF	50V	B	GRM40B103M50PT	K22170817			
C 1132	CHIP CAP.	0.01uF	50V	B	GRM40B103M50PT	K22170817			
C 1133	CHIP CAP.	22pF	50V	CH	GRM40CH220J50PT	K22170219			
C 1134	CHIP CAP.	220pF	50V	CH	GRM40CH221J50PT	K22170243			
C 1135	CHIP CAP.	220pF	50V	CH	GRM40CH221J50PT	K22170243			
C 1136	AL.ELECTRO.CAP.	10uF	35V		35V100M5X7TR2	K46160005			
C 1137	AL.ELECTRO.CAP.	10uF	35V		35V100M5X7TR2	K46160005			
C 1138	CHIP CAP.	0.001uF	50V	B	GRM40B102M50PT	K22170805			
C 1139	CHIP CAP.	0.001uF	50V	B	GRM40B102M50PT	K22170805			
C 1140	CHIP CAP.	180pF	50V	CH	GRM40CH181J50PT	K22170241			
C 1141	CHIP CAP.	0.001uF	50V	B	GRM40B102M50PT	K22170805			
C 1142	CHIP CAP.	0.001uF	50V	B	GRM40B102M50PT	K22170805			
C 1143	CHIP CAP.	0.001uF	50V	B	GRM40B102M50PT	K22170805			
C 1144	CHIP CAP.	0.001uF	50V	B	GRM40B102M50PT	K22170805			
C 1145	CHIP CAP.	0.01uF	50V	B	GRM40B103M50PT	K22170817			
C 1146	CHIP CAP.	0.01uF	50V	B	GRM40B103M50PT	K22170817			
C 1147	CHIP CAP.	0.01uF	50V	B	GRM40B103M50PT	K22170817			
C 1148	CHIP CAP.	0.01uF	50V	B	GRM40B103M50PT	K22170817			
C 1150	CHIP CAP.	100pF	50V	CH	GRM40CH101J50PT	K22170235			
C 1151	CHIP CAP.	10pF	50V	CH	GRM40CH100D50PT	K22170211			
C 1152	CHIP CAP.	0.01uF	50V	B	GRM40B103M50PT	K22170817			
C 1153	CHIP CAP.	0.01uF	50V	B	GRM40B103M50PT	K22170817			
C 1154	AL.ELECTRO.CAP.	47uF	16V		RC2-16V470M-T34 (5X7)	K46120010			
C 1155	CHIP CAP.	0.01uF	50V	B	GRM40B103M50PT	K22170817			
C 1156	CHIP CAP.	0.01uF	50V	B	GRM40B103M50PT	K22170817			
C 1157	CHIP CAP.	0.01uF	50V	B	GRM40B103M50PT	K22170817			
C 1158	CHIP CAP.	0.01uF	50V	B	GRM40B103M50PT	K22170817			
C 1159	CHIP CAP.	0.01uF	50V	B	GRM40B103M50PT	K22170817			
C 1160	CHIP CAP.	0.01uF	50V	B	GRM40B103M50PT	K22170817			
C 1163	CHIP CAP.	0.01uF	50V	B	GRM40B103M50PT	K22170817			
C 1164	CHIP CAP.	0.01uF	50V	B	GRM40B103M50PT	K22170817			
C 1165	CHIP CAP.	0.047uF	50V	B	GRM40B473M50PT	K22170823			
C 1166	CHIP CAP.	0.01uF	50V	B	GRM40B103M50PT	K22170817			
C 1167	CHIP CAP.	0.01uF	50V	B	GRM40B103M50PT	K22170817			
C 1168	CHIP CAP.	0.01uF	50V	B	GRM40B103M50PT	K22170817			
C 1169	CHIP CAP.	0.01uF	50V	B	GRM40B103M50PT	K22170817			
C 1170	CHIP CAP.	0.01uF	50V	B	GRM40B103M50PT	K22170817			
C 1171	CHIP CAP.	0.01uF	50V	B	GRM40B103M50PT	K22170817			
C 1172	CHIP CAP.	5pF	50V	CH	GRM40CH050C50PT	K22170206			
C 1173	CHIP CAP.	0.5pF	50V	CK	GRM40CK0R5C50PT	K22170201			
C 1174	CHIP CAP.	47pF	50V	CH	GRM40CH470J50PT	K22170227			
C 1175	CHIP CAP.	0.1uF	25V	B	GRM40B104M25PT	K22140811			
C 1177	CHIP CAP.	0.01uF	50V	B	GRM40B103M50PT	K22170817			
C 1178	CHIP CAP.	0.001uF	50V	B	GRM40B102M50PT	K22170805			
C 1179	CHIP CAP.	0.001uF	50V	B	GRM40B102M50PT	K22170805			
C 1180	CERAMIC CAP.	91pF	50V	SL	DD105-979SL910J50	K26171028			
C 1181	CERAMIC CAP.	75pF	50V	SL	DD104-979SL750J50	K26171026			
C 1182	CERAMIC CAP.	82pF	50V	SL	DD104-979SL820J50	K26171027			
C 1183	CHIP CAP.	0.047uF	50V	B	GRM40B473M50PT	K22170823			
C 1184	CHIP CAP.	0.047uF	50V	B	GRM40B473M50PT	K22170823			
C 1185	CHIP CAP.	0.047uF	50V	B	GRM40B473M50PT	K22170823			
C 1186	CHIP CAP.	0.047uF	50V	B	GRM40B473M50PT	K22170823			
C 1187	CHIP CAP.	0.047uF	50V	B	GRM40B473M50PT	K22170823			
C 1188	CHIP CAP.	0.047uF	50V	B	GRM40B473M50PT	K22170823			

MAIN Unit

REF.	DESCRIPTION	VALUE	WV	TOL.	MFGR'S DESIG	YAESU P/N	VERS.	LOT.	LAY ADR
C 1189	CHIP CAP.	0.001uF	50V	B	GRM40B102M50PT	K22170805			
C 1190	CHIP CAP.	0.001uF	50V	B	GRM40B102M50PT	K22170805			
C 1191	AL.ELECTRO.CAP.	1uF	50V		50V010M4X7TR2	K46170030			
C 1192	AL.ELECTRO.CAP.	220uF	25V		25V221M8X11TR5	K46140006			
C 1193	AL.ELECTRO.CAP.	22uF	35V		35V220M6X7TR2	K46160006			
C 1194	AL.ELECTRO.CAP.	10uF	35V		35V100M5X7TR2	K46160005			
C 1195	AL.ELECTRO.CAP.	10uF	35V		35V100M5X7TR2	K46160005			
C 1196	AL.ELECTRO.CAP.	10uF	35V		35V100M5X7TR2	K46160005			
C 1197	AL.ELECTRO.CAP.	10uF	35V		35V100M5X7TR2	K46160005			
C 1198	AL.ELECTRO.CAP.	10uF	35V		35V100M5X7TR2	K46160005			
C 1199	AL.ELECTRO.CAP.	10uF	35V		35V100M5X7TR2	K46160005			
C 1200	AL.ELECTRO.CAP.	10uF	35V		35V100M5X7TR2	K46160005			
C 1204	AL.ELECTRO.CAP.	4.7uF	35V		35V4R7M4X7TR2	K46160004			
C 1205	AL.ELECTRO.CAP.	10uF	35V		35V100M5X7TR2	K46160005			
C 1206	AL.ELECTRO.CAP.	10uF	35V		35V100M5X7TR2	K46160005			
C 1207	CHIP CAP.	0.01uF	50V	B	GRM40B103M50PT	K22170817			
C 1208	CHIP CAP.	0.01uF	50V	B	GRM40B103M50PT	K22170817			
C 1209	CHIP CAP.	0.01uF	50V	B	GRM40B103M50PT	K22170817			
C 1210	CHIP CAP.	0.001uF	50V	B	GRM40B102M50PT	K22170805			
C 1211	CHIP CAP.	0.01uF	50V	B	GRM40B103M50PT	K22170817			
C 1212	AL.ELECTRO.CAP.	10uF	35V		35V100M5X7TR2	K46160005			
C 1213	CHIP CAP.	0.01uF	50V	B	GRM40B103M50PT	K22170817			
C 1214	CHIP CAP.	0.01uF	50V	B	GRM40B103M50PT	K22170817			
C 1215	CHIP CAP.	22pF	50V	CH	GRM40CH220J50PT	K22170219			
C 1216	CHIP CAP.	0.01uF	50V	B	GRM40B103M50PT	K22170817			
C 1217	CHIP CAP.	0.01uF	50V	B	GRM40B103M50PT	K22170817			
C 1218	CHIP CAP.	0.01uF	50V	B	GRM40B103M50PT	K22170817			
C 1219	CHIP CAP.	0.01uF	50V	B	GRM40B103M50PT	K22170817			
C 1220	AL.ELECTRO.CAP.	1uF	50V		50V010M4X7TR2	K46170030			
C 1221	AL.ELECTRO.CAP.	10uF	35V		35V100M5X7TR2	K46160005			
C 1222	AL.ELECTRO.CAP.	1uF	50V		50V010M4X7TR2	K46170030			
C 1223	AL.ELECTRO.CAP.	10uF	35V		35V100M5X7TR2	K46160005			
C 1224	CHIP CAP.	0.01uF	50V	B	GRM40B103M50PT	K22170817			
C 1225	CHIP CAP.	0.01uF	50V	B	GRM40B103M50PT	K22170817			
C 1226	AL.ELECTRO.CAP.	10uF	35V		35V100M5X7TR2	K46160005			
C 1227	CHIP CAP.	0.01uF	50V	B	GRM40B103M50PT	K22170817			
C 1228	CHIP CAP.	0.01uF	50V	B	GRM40B103M50PT	K22170817			
C 1229	CHIP CAP.	0.01uF	50V	B	GRM40B103M50PT	K22170817			
C 1230	CHIP CAP.	0.01uF	50V	B	GRM40B103M50PT	K22170817			
C 1231	CHIP CAP.	0.01uF	50V	B	GRM40B103M50PT	K22170817			
C 1232	CHIP CAP.	0.01uF	50V	B	GRM40B103M50PT	K22170817			
C 1233	CHIP CAP.	0.01uF	50V	B	GRM40B103M50PT	K22170817			
C 1234	CHIP CAP.	0.01uF	50V	B	GRM40B103M50PT	K22170817			
C 1235	CHIP CAP.	0.01uF	50V	B	GRM40B103M50PT	K22170817			
C 1236	CHIP CAP.	0.01uF	50V	B	GRM40B103M50PT	K22170817			
C 1237	CHIP CAP.	0.01uF	50V	B	GRM40B103M50PT	K22170817			
C 1238	CHIP CAP.	0.01uF	50V	B	GRM40B103M50PT	K22170817			
C 1239	CHIP CAP.	10pF	50V	CH	GRM40CH100D50PT	K22170211			
C 1240	CHIP CAP.	10pF	50V	CH	GRM40CH100D50PT	K22170211			
C 1241	CHIP CAP.	0.0047uF	50V	B	GRM40B472M50PT	K22170813			
C 1242	CHIP CAP.	100pF	50V	CH	GRM40CH101J50PT	K22170235			
C 1243	CHIP CAP.	0.01uF	50V	B	GRM40B103M50PT	K22170817			
C 1244	CHIP CAP.	220pF	50V	CH	GRM40CH221J50PT	K22170243			
C 1245	CHIP CAP.	0.1uF	25V	B	GRM40B104M25PT	K22140811			
C 1246	AL.ELECTRO.CAP.	1uF	50V		50V010M4X7TR2	K46170030			
C 1247	AL.ELECTRO.CAP.	0.22uF	50V		50VR22M4X7TR2	K46170027			
C 1248	AL.ELECTRO.CAP.	10uF	35V		35V100M5X7TR2	K46160005			
C 1249	CHIP CAP.	0.01uF	50V	B	GRM40B103M50PT	K22170817			
C 1250	CHIP CAP.	0.01uF	50V	B	GRM40B103M50PT	K22170817			
C 1251	AL.ELECTRO.CAP.	1uF	50V		50V010M4X7TR2	K46170030			

REF.	DESCRIPTION	VALUE	WV	TOL.	MFGR'S DESIG	YAESU P/N	VERS.	LOT.	LAY ADR
C 1252	AL.ELECTRO.CAP.	10uF	35V		35V100M5X7TR2	K46160005			
C 1253	AL.ELECTRO.CAP.	1uF	50V		50V010M4X7TR2	K46170030			
C 1254	AL.ELECTRO.CAP.	1uF	50V		50V010M4X7TR2	K46170030			
C 1255	AL.ELECTRO.CAP.	1uF	50V		50V010M4X7TR2	K46170030			
C 1256	AL.ELECTRO.CAP.	1uF	50V		50V010M4X7TR2	K46170030			
C 1257	AL.ELECTRO.CAP.	0uF	35V		35V100M5X7TR2	K46160005			
C 1258	AL.ELECTRO.CAP.	10uF	35V		35V100M5X7TR2	K46160005			
C 1259	AL.ELECTRO.CAP.	10uF	35V		35V100M5X7TR2	K46160005			
C 1260	AL.ELECTRO.CAP.	1uF	50V		50V010M4X7TR2	K46170030			
C 1261	AL.ELECTRO.CAP.	10uF	35V		35V100M5X7TR2	K46160005			
C 1262	AL.ELECTRO.CAP.	1uF	50V		50V010M4X7TR2	K46170030			
C 1263	AL.ELECTRO.CAP.	1uF	50V		50V010M4X7TR2	K46170030			
C 1264	AL.ELECTRO.CAP.	10uF	35V		35V100M5X7TR2	K46160005			
C 1265	AL.ELECTRO.CAP.	1uF	50V		50V010M4X7TR2	K46170030			
C 1266	AL.ELECTRO.CAP.	1uF	50V		50V010M4X7TR2	K46170030			
C 1267	AL.ELECTRO.CAP.	1uF	50V		50V010M4X7TR2	K46170030			
C 1268	CERAMIC CAP.	0.0033uF	50V	B	DD107-979B332K50	K26171620			
C 1269	CHIP CAP.	0.01uF	50V	B	GRM40B103M50PT	K22170817			
C 1270	AL.ELECTRO.CAP.	1000uF	16V		RE2-16V102M 1000UF	K40129046			
C 1271	CHIP CAP.	0.01uF	50V	B	GRM40B103M50PT	K22170817			
C 1272	AL.ELECTRO.CAP.	470uF	10V		10V471M8X11TR5	K46100006			
C 1273	AL.ELECTRO.CAP.	470uF	16V		RE2-16V471MM-T2	K46120003			
C 1274	FILM CAP.	0.1uF	50V		NNMTP104K50	K56170026			
C 1275	CHIP CAP.	0.001uF	50V	B	GRM40B102M50PT	K22170805			
C 1276	AL.ELECTRO.CAP.	10uF	35V		35V100M5X7TR2	K46160005			
C 1277	CHIP CAP.	0.001uF	50V	B	GRM40B102M50PT	K22170805			
C 1278	CHIP CAP.	0.001uF	50V	B	GRM40B102M50PT	K22170805			
C 1279	AL.ELECTRO.CAP.	10uF	35V		35V100M5X7TR2	K46160005			
C 1280	AL.ELECTRO.CAP.	1uF	50V		50V010M4X7TR2	K46170030			
C 1281	AL.ELECTRO.CAP.	10uF	35V		35V100M5X7TR2	K46160005			
C 1282	AL.ELECTRO.CAP.	0.22uF	50V		50VR22M4X7TR2	K46170027			
C 1283	AL.ELECTRO.CAP.	0.47uF	50V		50VR47M4X7TR2	K46170029			
C 1284	CHIP CAP.	0.047uF	50V	B	GRM40B473M50PT	K22170823			
C 1285	CHIP CAP.	820pF	50V	B	GRM40B821M50PT	K22170804			
C 1286	CHIP CAP.	0.0047uF	50V	B	GRM40B472M50PT	K22170813			
C 1287	CHIP CAP.	0.0047uF	50V	B	GRM40B472M50PT	K22170813			
C 1288	CHIP CAP.	0.01uF	50V	B	GRM40B103M50PT	K22170817			
C 1289	CHIP CAP.	0.0018uF	50V	B	GRM40B182M50PT	K22170808			
C 1290	CHIP CAP.	0.1uF	25V	B	GRM40B104M25PT	K22140811			
C 1291	CHIP CAP.	0.01uF	50V	B	GRM40B103M50PT	K22170817			
C 1292	AL.ELECTRO.CAP.	1uF	50V		50V010M4X7TR2	K46170030			
C 1293	CHIP CAP.	0.047uF	50V	B	GRM40B473M50PT	K22170823			
C 1294	CHIP CAP.	0.047uF	50V	B	GRM40B473M50PT	K22170823			
C 1298	CERAMIC CAP.	68pF	50V	SL	DD104-979SL680J50	K26171025			
C 1299	CERAMIC CAP.	33pF	50V	SL	DD104-979SL330J50	K26171017			
C 1300	CERAMIC CAP.	33pF	50V	SL	DD104-979SL330J50	K26171017			
C 1301	CERAMIC CAP.	9pF	50V	SL	DD104-979SL090D50	K26171004			
C 1302	CHIP CAP.	0.047uF	50V	B	GRM40B473M50PT	K22170823			
C 1303	CHIP CAP.	0.047uF	50V	B	GRM40B473M50PT	K22170823			
C 1304	CHIP CAP.	0.01uF	50V	B	GRM40B103M50PT	K22170817			
C 1305	CHIP CAP.	0.01uF	50V	B	GRM40B103M50PT	K22170817			
C 1306	CHIP CAP.	2pF	50V	CK	GRM40CK020C50PT	K22170203			
C 1307	AL.ELECTRO.CAP.	10uF	35V		35V100M5X7TR2	K46160005			
C 1308	CHIP CAP.	0.047uF	50V	B	GRM40B473M50PT	K22170823			
C 1309	CHIP CAP.	0.047uF	50V	B	GRM40B473M50PT	K22170823			
C 1311	CHIP CAP.	0.047uF	50V	B	GRM40B473M50PT	K22170823			
C 1312	CHIP CAP.	0.01uF	50V	B	GRM40B103M50PT	K22170817			
C 1314	CHIP CAP.	2pF	50V	CK	GRM40CK020C50PT	K22170203			
C 1315	FILM CAP.	0.01uF	50V		NNM103K50	K50170039			
C 1316	CHIP CAP.	0.01uF	50V	B	GRM40B103M50PT	K22170817			

MAIN Unit

REF.	DESCRIPTION	VALUE	WV	TOL.	MFGR'S DESIG	YAESU P/N	VERS.	LOT.	LAY ADR
C 1317	CERAMIC CAP.	0.01uF	16V	Y	EP050Y103N-A	K28129001			
C 1318	CHIP CAP.	0.01uF	50V	B	GRM40B103M50PT	K22170817			
C 1319	CHIP CAP.	0.01uF	50V	B	GRM40B103M50PT	K22170817			
C 1320	CHIP CAP.	0.01uF	50V	B	GRM40B103M50PT	K22170817			
C 1321	CHIP CAP.	0.01uF	50V	B	GRM40B103M50PT	K22170817			
C 1322	CERAMIC CAP.	8.2pF	50V	SL	UP050SL8R2K-A-B	K28179024			
C 1323	FILM CAP.	0.0047uF	50V		NNM472K50	K50170038			
C 1324	AL.ELECTRO.CAP.	10uF	35V		35V100M5X7TR2	K46160005			
C 1325	AL.ELECTRO.CAP.	10uF	35V		35V100M5X7TR2	K46160005			
C 1326	CERAMIC CAP.	1pF	50V	SL	DD104-979SL010C50	K26170095			
C 1327	CERAMIC CAP.	1pF	50V	SL	DD104-979SL010C50	K26170095			
C 1328	CHIP CAP.	0.047uF	50V	B	GRM40B473M50PT	K22170823			
C 2001	CHIP CAP.	18pF	50V	CH	GRM40CH180J50PT	K22170217			
C 2002	CHIP CAP.	6pF	50V	CH	GRM40CH060D50PT	K22170207			
C 2003	CHIP CAP.	18pF	50V	CH	GRM40CH180J50PT	K22170217			
C 2004	CHIP CAP.	15pF	50V	CH	GRM40CH150J50PT	K22170215			
C 2005	CHIP CAP.	12pF	50V	CH	GRM40CH120J50PT	K22170213			
C 2006	CHIP CAP.	2pF	50V	CK	GRM40CK020C50PT	K22170203			
C 2007	CHIP CAP.	0.001uF	50V	B	GRM40B102M50PT	K22170805			
C 2008	CHIP CAP.	0.001uF	50V	B	GRM40B102M50PT	K22170805			
C 2009	CHIP CAP.	0.01uF	50V	B	GRM40B103M50PT	K22170817			
C 2010	CHIP CAP.	18pF	50V	CH	GRM40CH180J50PT	K22170217			
C 2011	CHIP CAP.	4pF	50V	CH	GRM40CH040C50PT	K22170205			
C 2012	CHIP CAP.	18pF	50V	CH	GRM40CH180J50PT	K22170217			
C 2013	CHIP CAP.	12pF	50V	CH	GRM40CH120J50PT	K22170213			
C 2014	CHIP CAP.	10pF	50V	CH	GRM40CH100D50PT	K22170211			
C 2015	CHIP CAP.	2pF	50V	CK	GRM40CK020C50PT	K22170203			
C 2016	CHIP CAP.	0.001uF	50V	B	GRM40B102M50PT	K22170805			
C 2017	CHIP CAP.	0.001uF	50V	B	GRM40B102M50PT	K22170805			
C 2018	CHIP CAP.	0.01uF	50V	B	GRM40B103M50PT	K22170817			
C 2019	CHIP CAP.	15pF	50V	CH	GRM40CH150J50PT	K22170215			
C 2020	CHIP CAP.	5pF	50V	CH	GRM40CH050C50PT	K22170206			
C 2021	CHIP CAP.	18pF	50V	CH	GRM40CH180J50PT	K22170217			
C 2022	CHIP CAP.	12pF	50V	CH	GRM40CH120J50PT	K22170213			
C 2023	CHIP CAP.	8pF	50V	CH	GRM40CH080D50PT	K22170209			
C 2024	CHIP CAP.	2pF	50V	CK	GRM40CK020C50PT	K22170203			
C 2025	CHIP CAP.	0.001uF	50V	B	GRM40B102M50PT	K22170805			
C 2026	CHIP CAP.	0.001uF	50V	B	GRM40B102M50PT	K22170805			
C 2027	CHIP CAP.	0.01uF	50V	B	GRM40B103M50PT	K22170817			
C 2028	CHIP CAP.	15pF	50V	CH	GRM40CH150J50PT	K22170215			
C 2029	CHIP CAP.	2pF	50V	CK	GRM40CK020C50PT	K22170203			
C 2030	CHIP CAP.	18pF	50V	UJ	GRM40UJ180J50PT	K22170317			
C 2031	CHIP CAP.	12pF	50V	CH	GRM40CH120J50PT	K22170213			
C 2032	CHIP CAP.	7pF	50V	CH	GRM40CH070D50PT	K22170208			
C 2033	CHIP CAP.	2pF	50V	CK	GRM40CK020C50PT	K22170203			
C 2034	CHIP CAP.	0.001uF	50V	B	GRM40B102M50PT	K22170805			
C 2035	CHIP CAP.	0.001uF	50V	B	GRM40B102M50PT	K22170805			
C 2036	CHIP CAP.	0.01uF	50V	B	GRM40B103M50PT	K22170817			
C 2037	CHIP CAP.	16pF	50V	CH	GRM40CH160J50PT	K22170216			
C 2039	CHIP CAP.	18pF	50V	UJ	GRM40UJ180J50PT	K22170317			
C 2040	CHIP CAP.	10pF	50V	CH	GRM40CH100D50PT	K22170211			
C 2041	CHIP CAP.	5pF	50V	CH	GRM40CH050C50PT	K22170206			
C 2042	CHIP CAP.	2pF	50V	CK	GRM40CK020C50PT	K22170203			
C 2043	CHIP CAP.	0.001uF	50V	B	GRM40B102M50PT	K22170805			
C 2044	CHIP CAP.	0.001uF	50V	B	GRM40B102M50PT	K22170805			
C 2045	CHIP CAP.	0.01uF	50V	B	GRM40B103M50PT	K22170817			
C 2046	AL.ELECTRO.CAP.	100uF	25V		25V101M6X11TR5	K46140005			
C 2047	CHIP CAP.	0.01uF	50V	B	GRM40B103M50PT	K22170817			
C 2048	CHIP CAP.	47pF	50V	CH	GRM40CH470J50PT	K22170227			
C 2050	CHIP CAP.	0.01uF	50V	B	GRM40B103M50PT	K22170817			

REF.	DESCRIPTION	VALUE	WV	TOL.	MFGR'S DESIG	YAESU P/N	VERS.	LOT.	LAY ADR
C 2051	CHIP CAP.	0.001uF	50V	B	GRM40B102M50PT	K22170805			
C 2052	CHIP CAP.	18pF	50V	CH	GRM40CH180J50PT	K22170217			
C 2053	CHIP CAP.	39pF	50V	CH	GRM40CH390J50PT	K22170225			
C 2054	CHIP CAP.	18pF	50V	CH	GRM40CH180J50PT	K22170217			
C 2055	CHIP CAP.	2pF	50V	CK	GRM40CK020C50PT	K22170203			
C 2056	CHIP CAP.	3pF	50V	CJ	GRM40CJ030C50PT	K22170204			
C 2057	CHIP CAP.	0.01uF	50V	B	GRM40B103M50PT	K22170817			
C 2058	CHIP CAP.	0.001uF	50V	B	GRM40B102M50PT	K22170805			
C 2059	CHIP CAP.	0.01uF	50V	B	GRM40B103M50PT	K22170817			
C 2060	CHIP CAP.	0.01uF	50V	B	GRM40B103M50PT	K22170817			
C 2061	CHIP CAP.	0.01uF	50V	B	GRM40B103M50PT	K22170817			
C 2062	CHIP CAP.	0.01uF	50V	B	GRM40B103M50PT	K22170817			
C 2063	CHIP CAP.	2pF	50V	CK	GRM40CK020C50PT	K22170203			
C 2064	CHIP CAP.	9pF	50V	CH	GRM40CH090D50PT	K22170210			
C 2065	CHIP CAP.	15pF	50V	CH	GRM40CH150J50PT	K22170215			
C 2066	CHIP CAP.	8pF	50V	CH	GRM40CH080D50PT	K22170209			
C 2067	CHIP CAP.	18pF	50V	CH	GRM40CH180J50PT	K22170217			
C 2068	CHIP CAP.	6pF	50V	CH	GRM40CH060D50PT	K22170207			
C 2069	CHIP CAP.	18pF	50V	CH	GRM40CH180J50PT	K22170217			
C 2070	CHIP CAP.	1pF	50V	CK	GRM40CK010C50PT	K22170202			
C 2071	CHIP CAP.	10pF	50V	CH	GRM40CH100D50PT	K22170211			
C 2072	CHIP CAP.	0.01uF	50V	B	GRM40B103M50PT	K22170817			
C 2073	CHIP CAP.	0.01uF	50V	B	GRM40B103M50PT	K22170817			
C 2074	CHIP CAP.	82pF	50V	CH	GRM40CH820J50PT	K22170233			
C 2075	CHIP CAP.	0.01uF	50V	B	GRM40B103M50PT	K22170817			
C 2076	CHIP CAP.	0.01uF	50V	B	GRM40B103M50PT	K22170817			
C 2077	CHIP CAP.	0.01uF	50V	B	GRM40B103M50PT	K22170817			
C 2078	CHIP CAP.	0.01uF	50V	B	GRM40B103M50PT	K22170817			
C 2079	CHIP CAP.	100pF	50V	CH	GRM40CH101J50PT	K22170235			
C 2080	CHIP CAP.	100pF	50V	CH	GRM40CH101J50PT	K22170235			
C 2081	CHIP CAP.	100pF	50V	CH	GRM40CH101J50PT	K22170235			
C 2082	AL.ELECTRO.CAP.	1uF	50V		50V010M4X7TR2	K46170030			
C 2083	AL.ELECTRO.CAP.	10uF	35V		35V100M5X7TR2	K46160005			
C 2084	CHIP CAP.	0.01uF	50V	B	GRM40B103M50PT	K22170817			
C 2085	CHIP TA.CAP.	0.47uF	35V		TEMSVA1V474M-8R	K78160029			
C 2086	AL.ELECTRO.CAP.	100uF	25V		25V101M6X11TR5	K46140005			
C 2087	FILM CAP.	0.1uF	50V		NNMTP104K50	K56170026			
C 2088	CHIP CAP.	5pF	50V	CH	GRM40CH050C50PT	K22170206			
C 2089	CHIP CAP.	0.01uF	50V	B	GRM40B103M50PT	K22170817			
C 2090	CHIP CAP.	0.001uF	50V	B	GRM40B102M50PT	K22170805			
C 2091	CHIP CAP.	0.5pF	50V	CK	GRM40CK0R5C50PT	K22170201			
C 2092	CHIP CAP.	0.01uF	50V	B	GRM40B103M50PT	K22170817			
C 2093	CHIP CAP.	0.01uF	50V	B	GRM40B103M50PT	K22170817			
C 2094	CHIP CAP.	0.01uF	50V	B	GRM40B103M50PT	K22170817			
C 2095	CHIP CAP.	0.01uF	50V	B	GRM40B103M50PT	K22170817			
C 2096	CHIP CAP.	0.01uF	50V	B	GRM40B103M50PT	K22170817			
C 2097	CHIP CAP.	0.01uF	50V	B	GRM40B103M50PT	K22170817			
C 2098	CHIP CAP.	0.01uF	50V	B	GRM40B103M50PT	K22170817			
C 2099	CHIP CAP.	5pF	50V	CH	GRM40CH050C50PT	K22170206			
C 2100	CHIP CAP.	47pF	50V	CH	GRM40CH470J50PT	K22170227			
C 2101	CHIP CAP.	0.01uF	50V	B	GRM40B103M50PT	K22170817			
C 2102	CHIP CAP.	0.01uF	50V	B	GRM40B103M50PT	K22170817			
C 2103	CHIP CAP.	0.01uF	50V	B	GRM40B103M50PT	K22170817			
C 2104	CHIP CAP.	0.01uF	50V	B	GRM40B103M50PT	K22170817			
C 2105	CHIP CAP.	0.01uF	50V	B	GRM40B103M50PT	K22170817			
C 2106	CHIP CAP.	0.01uF	50V	B	GRM40B103M50PT	K22170817			
C 2107	CHIP CAP.	1pF	50V	CK	GRM40CK010C50PT	K22170202			
C 2108	CHIP CAP.	18pF	50V	CH	GRM40CH180J50PT	K22170217			
C 2109	CHIP CAP.	0.01uF	50V	B	GRM40B103M50PT	K22170817			
C 2110	CHIP CAP.	0.01uF	50V	B	GRM40B103M50PT	K22170817			

MAIN Unit

REF.	DESCRIPTION	VALUE	WV	TOL.	MFGR'S DESIG	YAESU P/N	VERS.	LOT.	LAY ADR
C 2111	CHIP CAP.	0.01uF	50V	B	GRM40B103M50PT	K22170817			
C 2112	CHIP CAP.	0.01uF	50V	B	GRM40B103M50PT	K22170817			
C 2113	CHIP CAP.	0.01uF	50V	B	GRM40B103M50PT	K22170817			
C 2114	CHIP CAP.	10pF	50V	CH	GRM40CH100D50PT	K22170211			
C 2115	CHIP CAP.	1pF	50V	CK	GRM40CK010C50PT	K22170202			
C 2116	CHIP CAP.	5pF	50V	CH	GRM40CH050C50PT	K22170206			
C 2117	CHIP CAP.	0.01uF	50V	B	GRM40B103M50PT	K22170817			
C 2118	CHIP CAP.	0.01uF	50V	B	GRM40B103M50PT	K22170817			
C 2120	CHIP CAP.	0.01uF	50V	B	GRM40B103M50PT	K22170817			
C 2121	CHIP CAP.	0.01uF	50V	B	GRM40B103M50PT	K22170817			
C 2122	CHIP CAP.	5pF	50V	CH	GRM40CH050C50PT	K22170206			
C 2123	CHIP CAP.	2pF	50V	CK	GRM40CK020C50PT	K22170203			
C 2124	CHIP CAP.	0.01uF	50V	B	GRM40B103M50PT	K22170817			
C 2125	CHIP CAP.	0.047uF	50V	B	GRM40B473M50PT	K22170823			
C 2126	CHIP CAP.	22pF	50V	CH	GRM40CH220J50PT	K22170219			
C 2127	CHIP CAP.	22pF	50V	CH	GRM40CH220J50PT	K22170219			
C 2128	CHIP CAP.	22pF	50V	CH	GRM40CH220J50PT	K22170219			
C 2129	CHIP CAP.	0.047uF	50V	B	GRM40B473M50PT	K22170823			
C 2130	CHIP CAP.	0.047uF	50V	B	GRM40B473M50PT	K22170823			
C 2131	CHIP CAP.	22pF	50V	CH	GRM40CH220J50PT	K22170219			
C 2132	CHIP CAP.	22pF	50V	CH	GRM40CH220J50PT	K22170219			
C 2134	CHIP CAP.	0.01uF	50V	B	GRM40B103M50PT	K22170817			
C 2135	CHIP CAP.	0.047uF	50V	B	GRM40B473M50PT	K22170823			
C 2136	CHIP TA.CAP.	10uF	10V		TEMSVA1A106M-8R	K78100028			
C 2137	CHIP CAP.	270pF	50V	CH	GRM40CH271J50PT	K22170245			
C 2138	CHIP CAP.	150pF	50V	CH	GRM40CH151J50PT	K22170239			
C 2139	CHIP CAP.	560pF	50V	CH	CM21CH561J50AT	K22170286			
C 2140	CHIP CAP.	47pF	50V	CH	GRM40CH470J50PT	K22170227			
C 2141	CHIP CAP.	330pF	50V	CH	GRM40CH331J50PT	K22170247			
C 2142	CHIP TA.CAP.	10uF	10V		TEMSVA1A106M-8R	K78100028			
C 2143	CHIP CAP.	5pF	50V	CH	GRM40CH050C50PT	K22170206			
C 2144	CHIP CAP.	2pF	50V	CK	GRM40CK020C50PT	K22170203			
C 2145	CHIP CAP.	0.01uF	50V	B	GRM40B103M50PT	K22170817			
C 2146	CHIP CAP.	15pF	50V	CH	GRM40CH150J50PT	K22170215			
C 2147	CHIP CAP.	0.047uF	50V	B	GRM40B473M50PT	K22170823			
C 2148	CHIP CAP.	22pF	50V	CH	GRM40CH220J50PT	K22170219			
C 2149	CHIP CAP.	22pF	50V	CH	GRM40CH220J50PT	K22170219			
C 2150	CHIP CAP.	22pF	50V	CH	GRM40CH220J50PT	K22170219			
C 2151	CHIP CAP.	0.047uF	50V	B	GRM40B473M50PT	K22170823			
C 2152	CHIP CAP.	0.047uF	50V	B	GRM40B473M50PT	K22170823			
C 2153	CHIP CAP.	22pF	50V	CH	GRM40CH220J50PT	K22170219			
C 2154	CHIP CAP.	22pF	50V	CH	GRM40CH220J50PT	K22170219			
C 2155	CHIP CAP.	0.047uF	50V	B	GRM40B473M50PT	K22170823			
C 2156	CHIP TA.CAP.	10uF	10V		TEMSVA1A106M-8R	K78100028			
C 2157	CHIP CAP.	0.01uF	50V	B	GRM40B103M50PT	K22170817			
C 2158	CHIP CAP.	56pF	50V	CH	GRM40CH560J50PT	K22170229			
C 2159	CHIP CAP.	27pF	50V	CH	GRM40CH270J50PT	K22170221			
C 2160	CHIP CAP.	100pF	50V	CH	GRM40CH101J50PT	K22170235			
C 2161	CHIP CAP.	9pF	50V	CH	GRM40CH090D50PT	K22170210			
C 2162	CHIP CAP.	68pF	50V	CH	GRM40CH680J50PT	K22170231			
C 2163	CHIP TA.CAP.	10uF	10V		TEMSVA1A106M-8R	K78100028			
C 2164	CHIP CAP.	0.001uF	50V	B	GRM40B102M50PT	K22170805			
C 2165	CHIP CAP.	0.001uF	50V	B	GRM40B102M50PT	K22170805			
C 2166	CHIP CAP.	0.001uF	50V	B	GRM40B102M50PT	K22170805			
C 2167	CHIP CAP.	0.001uF	50V	B	GRM40B102M50PT	K22170805			
C 2168	CHIP CAP.	0.001uF	50V	B	GRM40B102M50PT	K22170805			
C 2169	AL.ELECTRO.CAP.	470uF	16V		RE2-16V471MM-T2	K46120003			
C 2170	AL.ELECTRO.CAP.	100uF	16V		16V101M6X7TR2	K46120007			
C 2171	AL.ELECTRO.CAP.	100uF	16V		RC2-16V101MS (6X7)	K40129038			
C 2501	AL.ELECTRO.CAP.	47uF	16V		RC2-16V470M-T34 (5X7)	K46120010			

REF.	DESCRIPTION	VALUE	WV	TOL.	MFGR'S DESIG	YAESU P/N	VERS.	LOT.	LAY ADR
C 2502	AL.ELECTRO.CAP.	47uF	16V		RC2-16V470M-T34 (5X7)	K46120010			
C 2503	CHIP CAP.	0.1uF	25V	F	GRM40F104Z25PT	K22141005			
C 2504	CHIP CAP.	0.022uF	50V	B	GRM40B223M50PT	K22170821			
C 2505	CHIP CAP.	0.022uF	50V	B	GRM40B223M50PT	K22170821			
C 2506	CHIP CAP.	0.001uF	50V	B	GRM40B102M50PT	K22170805			
C 2507	CHIP CAP.	0.001uF	50V	B	GRM40B102M50PT	K22170805			
C 2508	AL.ELECTRO.CAP.	1uF	50V		50V010M4X7TR2	K46170030			
C 2509	AL.ELECTRO.CAP.	1uF	50V		50V010M4X7TR2	K46170030			
C 2514	CHIP CAP.	0.01uF	50V	B	GRM40B103M50PT	K22170817			
C 2517	CHIP CAP.	0.01uF	50V	B	GRM40B103M50PT	K22170817			
C 2518	CHIP CAP.	33pF	50V	CH	GRM40CH330J50PT	K22170223			
C 2519	CHIP CAP.	33pF	50V	CH	GRM40CH330J50PT	K22170223			
C 2520	CHIP CAP.	0.01uF	50V	B	GRM40B103M50PT	K22170817			
C 2521	CHIP CAP.	0.01uF	50V	B	GRM40B103M50PT	K22170817			
C 2522	CHIP CAP.	0.01uF	50V	B	GRM40B103M50PT	K22170817			
C 2523	AL.ELECTRO.CAP.	1uF	50V		50V010M4X7TR2	K46170030			
C 2524	CHIP CAP.	0.01uF	50V	B	GRM40B103M50PT	K22170817			
C 2525	AL.ELECTRO.CAP.	1uF	50V		50V010M4X7TR2	K46170030			
C 2526	AL.ELECTRO.CAP.	1uF	50V		50V010M4X7TR2	K46170030			
C 2527	AL.ELECTRO.CAP.	1uF	50V		50V010M4X7TR2	K46170030			
C 2528	AL.ELECTRO.CAP.	1uF	50V		50V010M4X7TR2	K46170030			
C 2529	AL.ELECTRO.CAP.	1uF	50V		50V010M4X7TR2	K46170030			
C 2530	CHIP CAP.	0.01uF	50V	B	GRM40B103M50PT	K22170817			
C 2531	AL.ELECTRO.CAP.	1uF	50V		50V010M4X7TR2	K46170030			
C 2532	CHIP CAP.	0.01uF	50V	B	GRM40B103M50PT	K22170817			
C 2533	CHIP CAP.	0.01uF	50V	B	GRM40B103M50PT	K22170817			
C 2534	CHIP CAP.	33pF	50V	CH	GRM40CH330J50PT	K22170223			
C 2535	CHIP CAP.	33pF	50V	CH	GRM40CH330J50PT	K22170223			
C 2536	CHIP CAP.	0.01uF	50V	B	GRM40B103M50PT	K22170817			
C 2537	CHIP CAP.	0.01uF	50V	B	GRM40B103M50PT	K22170817			
C 2538	CHIP CAP.	0.01uF	50V	B	GRM40B103M50PT	K22170817			
C 2539	CHIP CAP.	0.01uF	50V	B	GRM40B103M50PT	K22170817			
C 2540	CHIP CAP.	0.01uF	50V	B	GRM40B103M50PT	K22170817			
C 2541	AL.ELECTRO.CAP.	1uF	50V		50V010M4X7TR2	K46170030			
C 2542	AL.ELECTRO.CAP.	1uF	50V		50V010M4X7TR2	K46170030			
C 2543	CHIP CAP.	0.01uF	50V	B	GRM40B103M50PT	K22170817			
C 2544	CHIP CAP.	0.01uF	50V	B	GRM40B103M50PT	K22170817			
C 2545	CHIP CAP.	0.01uF	50V	B	GRM40B103M50PT	K22170817			
C 2546	CHIP CAP.	0.01uF	50V	B	GRM40B103M50PT	K22170817			
C 2547	CHIP CAP.	0.01uF	50V	B	GRM40B103M50PT	K22170817			
C 2548	CHIP CAP.	0.01uF	50V	B	GRM40B103M50PT	K22170817			
C 2549	CHIP CAP.	0.01uF	50V	B	GRM40B103M50PT	K22170817			
C 2550	CHIP CAP.	0.01uF	50V	B	GRM40B103M50PT	K22170817			
C 2551	CHIP CAP.	0.01uF	50V	B	GRM40B103M50PT	K22170817			
C 2552	CHIP CAP.	0.01uF	50V	B	GRM40B103M50PT	K22170817			
C 2553	CHIP CAP.	0.01uF	50V	B	GRM40B103M50PT	K22170817			
C 2554	CHIP CAP.	0.01uF	50V	B	GRM40B103M50PT	K22170817			
C 2555	CHIP CAP.	0.01uF	50V	B	GRM40B103M50PT	K22170817			
C 2556	CHIP CAP.	0.01uF	50V	B	GRM40B103M50PT	K22170817			
C 2557	CHIP CAP.	0.01uF	50V	B	GRM40B103M50PT	K22170817			
C 2558	CHIP CAP.	0.01uF	50V	B	GRM40B103M50PT	K22170817			
C 2559	CHIP CAP.	0.1uF	25V	F	GRM40F104Z25PT	K22141005			
C 2560	CHIP CAP.	0.1uF	25V	F	GRM40F104Z25PT	K22141005			
C 2561	CHIP CAP.	0.1uF	25V	F	GRM40F104Z25PT	K22141005			
C 2562	CHIP CAP.	0.1uF	25V	F	GRM40F104Z25PT	K22141005			
C 2563	CHIP CAP.	0.1uF	25V	F	GRM40F104Z25PT	K22141005			
C 2564	CHIP CAP.	0.1uF	25V	F	GRM40F104Z25PT	K22141005			
C 2565	CHIP CAP.	0.1uF	25V	F	GRM40F104Z25PT	K22141005			
C 2566	CHIP CAP.	0.1uF	25V	F	GRM40F104Z25PT	K22141005			
C 2567	CHIP CAP.	0.1uF	25V	F	GRM40F104Z25PT	K22141005			

MAIN Unit

REF.	DESCRIPTION	VALUE	WV	TOL.	MFGR'S DESIG	YAESU P/N	VERS.	LOT.	LAY ADR
C 2568	CHIP CAP.	0.1uF	25V	F	GRM40F104Z25PT	K22141005			
C 2569	CHIP CAP.	0.1uF	25V	F	GRM40F104Z25PT	K22141005			
C 2570	CHIP CAP.	0.1uF	25V	F	GRM40F104Z25PT	K22141005			
C 2571	CHIP CAP.	0.1uF	25V	F	GRM40F104Z25PT	K22141005			
C 2572	CHIP CAP.	0.1uF	25V	F	GRM40F104Z25PT	K22141005			
C 2573	CHIP CAP.	0.1uF	25V	F	GRM40F104Z25PT	K22141005			
C 2574	CHIP CAP.	0.047uF	50V	B	GRM40B473M50PT	K22170823			
C 2575	CHIP TA.CAP.	1uF	35V		TEMSVA1V105M-8R	K78160032			
C 2576	CHIP CAP.	0.01uF	50V	B	GRM40B103M50PT	K22170817			
C 2577	CHIP CAP.	0.01uF	50V	B	GRM40B103M50PT	K22170817			
C 2578	CHIP CAP.	0.01uF	50V	B	GRM40B103M50PT	K22170817			
C 2579	CHIP CAP.	0.01uF	50V	B	GRM40B103M50PT	K22170817			
C 2580	CHIP CAP.	0.01uF	50V	B	GRM40B103M50PT	K22170817			
C 2581	CHIP CAP.	0.01uF	50V	B	GRM40B103M50PT	K22170817			
C 2582	CHIP CAP.	0.01uF	50V	B	GRM40B103M50PT	K22170817			
C 2583	CHIP CAP.	0.01uF	50V	B	GRM40B103M50PT	K22170817			
C 2584	CHIP CAP.	0.01uF	50V	B	GRM40B103M50PT	K22170817			
C 2585	AL.ELECTRO.CAP.	1uF	50V		50V010M4X7TR2	K46170030			
C 2586	AL.ELECTRO.CAP.	1uF	50V		50V010M4X7TR2	K46170030			
C 2587	CERAMIC CAP.	0.01uF	16V	Y	EP050Y103N-A	K28129001			
C 2588	CERAMIC CAP.	10pF	50V	CH	UP050CH100J-A-B	K28179055			
C 2589	CHIP CAP.	0.001uF	50V	B	GRM40B102M50PT	K22170805			
C 2590	CERAMIC CAP.	0.001uF	50V	B	UP050B102K-A-B	K28179001			
C 2591	CHIP CAP.	0.001uF	50V	B	GRM40B102M50PT	K22170805			
C 2592	CERAMIC CAP.	0.1uF	50V	F	UP050F104Z-A-B	K28179003			
C 2593	CERAMIC CAP.	0.047uF	50V	F	DD110F473Z50	K13179009			
CO2501	CERAMIC OSC	16MHz			CSA16.00MXZ040	H7901090			
CO2502	CERAMIC OSC				CSA8.00MT	H7900580			
D 1001	DIODE				1SS356TW11	G2070468			
D 1009	DIODE				HVU131TRF	G2070462			
D 1010	DIODE				HVU131TRF	G2070462			
D 1011	DIODE				1SS356TW11	G2070468			
D 1012	DIODE				HVU131TRF	G2070462			
D 1013	DIODE				1SS356TW11	G2070468			
D 1014	DIODE				HVU131TRF	G2070462			
D 1015	DIODE				1SS356TW11	G2070468			
D 1016	DIODE				HVU131TRF	G2070462			
D 1017	DIODE				1SS356TW11	G2070468			
D 1018	DIODE				HVU131TRF	G2070462			
D 1019	DIODE				1SS356TW11	G2070468			
D 1020	DIODE				HVU131TRF	G2070462			
D 1021	DIODE				1SS356TW11	G2070468			
D 1022	DIODE				HVU131TRF	G2070462			
D 1023	DIODE				1SS356TW11	G2070468			
D 1024	DIODE				HVU131TRF	G2070462			
D 1025	DIODE				1SS356TW11	G2070468			
D 1026	DIODE				HVU131TRF	G2070462			
D 1027	DIODE				1SS356TW11	G2070468			
D 1028	DIODE				HVU131TRF	G2070462			
D 1029	DIODE				1SS356TW11	G2070468			
D 1030	DIODE				HVU131TRF	G2070462			
D 1031	DIODE				1SS356TW11	G2070468			
D 1032	DIODE				1SS356TW11	G2070468			
D 1033	DIODE				HVU131TRF	G2070462			
D 1034	DIODE				1SS356TW11	G2070468			
D 1035	DIODE				HVU131TRF	G2070462			
D 1036	DIODE				1SS356TW11	G2070468			
D 1037	DIODE				HVU131TRF	G2070462			
D 1038	DIODE				GMB01-BT	G2060016			
D 1039	DIODE				1SS198TJ	G2060011			

REF.	DESCRIPTION	VALUE	WV	TOL.	MFGR'S DESIG	YAESU P/N	VERS.	LOT.	LAY ADR
D 1040	DIODE				1SS198TJ	G2060011			
D 1041	DIODE				GMB01-BT	G2060016			
D 1042	DIODE				1SS53T1	G2060002			
D 1043	DIODE				GMB01-BT	G2060016			
D 1044	DIODE				GMB01-BT	G2060016			
D 1045	DIODE				GMB01-BT	G2060016			
D 1046	DIODE				GMB01-BT	G2060016			
D 1047	DIODE				GMB01-BT	G2060016			
D 1048	DIODE				GMB01-BT	G2060016			
D 1049	DIODE				GMB01-BT	G2060016			
D 1051	DIODE				1SS226 TE85R	G2070003			
D 1052	DIODE				1SS226 TE85R	G2070003			
D 1054	DIODE				1SS226 TE85R	G2070003			
D 1056	DIODE				1SS226 TE85R	G2070003			
D 1058	DIODE				1SS226 TE85R	G2070003			
D 1060	DIODE				1SS226 TE85R	G2070003			
D 1062	DIODE				1SS226 TE85R	G2070003			
D 1064	DIODE				1SS226 TE85R	G2070003			
D 1066	DIODE				GMB01-BT	G2060016			
D 1067	DIODE				GMB01-BT	G2060016			
D 1068	DIODE				HSB88WSTR	G2070290			
D 1069	DIODE				1SS356TW11	G2070468			
D 1070	DIODE				GMB01-BT	G2060016			
D 1071	DIODE				GMB01-BT	G2060016			
D 1072	DIODE				GMB01-BT	G2060016			
D 1073	DIODE				GMB01-BT	G2060016			
D 1074	DIODE				GMB01-BT	G2060016			
D 1075	DIODE				GMB01-BT	G2060016			
D 1076	DIODE				GMB01-BT	G2060016			
D 1077	DIODE				1SS198TJ	G2060011			
D 1078	DIODE				1SS198TJ	G2060011			
D 1079	DIODE				1SS198TJ	G2060011			
D 1080	DIODE				GMB01-BT	G2060016			
D 1081	DIODE				1SS198TJ	G2060011			
D 1082	DIODE				1SS198TJ	G2060011			
D 1083	DIODE				1SS198TJ	G2060011			
D 1084	DIODE				1SS198TJ	G2060011			
D 1085	DIODE				GMB01-BT	G2060016			
D 1086	DIODE				GMB01-BT	G2060016			
D 1087	DIODE				RD8.2MB2-T2B	G2070150			
D 1088	DIODE				GMB01-BT	G2060016			
D 1089	DIODE				GMB01-BT	G2060016			
D 1090	DIODE				GMB01-BT	G2060016			
D 1091	DIODE				GMB01-BT	G2060016			
D 1092	DIODE				GMB01-BT	G2060016			
D 1093	DIODE				GMB01-BT	G2060016			
D 1094	DIODE				GMB01-BT	G2060016			
D 1095	DIODE				GMB01-BT	G2060016			
D 1096	DIODE				GMB01-BT	G2060016			
D 1097	DIODE				GMB01-BT	G2060016			
D 1098	DIODE				GMB01-BT	G2060016			
D 1102	DIODE				1SS244 T-77	G2060020			
D 1103	DIODE				1SS244 T-77	G2060020			
D 1104	DIODE				1SS244 T-77	G2060020			
D 1105	DIODE				1SS244 T-77	G2060020			
D 1106	DIODE				1SV271 TPH3	G2070476			
D 1107	DIODE				GMB01-BT	G2060016			
D 1108	DIODE				GMB01-BT	G2060016			
D 1109	DIODE				GMB01-BT	G2060016			
D 1110	DIODE				GMB01-BT	G2060016			

MAIN Unit

REF.	DESCRIPTION	VALUE	WV	TOL.	MFRG'S DESIG	YAESU P/N	VERS.	LOT.	LAY ADR
D 2001	DIODE				1T363-01-T8A	G2070114			
D 2002	DIODE				GMB01-BT	G2060016			
D 2003	DIODE				1T363-01-T8A	G2070114			
D 2004	DIODE				GMB01-BT	G2060016			
D 2005	DIODE				1T363-01-T8A	G2070114			
D 2006	DIODE				GMB01-BT	G2060016			
D 2007	DIODE				1T363-01-T8A	G2070114			
D 2008	DIODE				GMB01-BT	G2060016			
D 2009	DIODE				1T363-01-T8A	G2070114			
D 2010	DIODE				GMB01-BT	G2060016			
D 2011	DIODE				11ES1-TA1B2	G2060009			
D 2012	DIODE				GMB01-BT	G2060016			
D 2013	DIODE				GMB01-BT	G2060016			
D 2014	DIODE				GMB01-BT	G2060016			
D 2015	DIODE				GMB01-BT	G2060016			
D 2016	DIODE				GMB01-BT	G2060016			
D 2017	DIODE				GMB01-BT	G2060016			
D 2018	DIODE				GMB01-BT	G2060016			
D 2019	DIODE				GMB01-BT	G2060016			
D 2020	DIODE				GMB01-BT	G2060016			
D 2021	DIODE				GMB01-BT	G2060016			
D 2022	DIODE				GMB01-BT	G2060016			
D 2023	DIODE				GMB01-BT	G2060016			
D 2501	DIODE				GMB01-BT	G2060016			
D 2502	DIODE				GMB01-BT	G2060016			
D 2503	DIODE				GMB01-BT	G2060016			
D 2504	DIODE				GMB01-BT	G2060016			
D 2505	DIODE				GMB01-BT	G2060016			
D 2506	DIODE				GMB01-BT	G2060016			
D 2507	DIODE				GMB01-BT	G2060016			
D 2508	DIODE				GMB01-BT	G2060016			
D 2509	DIODE				GMB01-BT	G2060016			
D 2510	DIODE				GMB01-BT	G2060016			
D 2511	DIODE				GMB01-BT	G2060016			
D 2513	DIODE				GMB01-BT	G2060016			
D 2514	DIODE				GMB01-BT	G2060016			
D 2515	DIODE				GMB01-BT	G2060016			
D 2516	DIODE				1SS226 TE85R	G2070003			
D 2518	DIODE				1SS226 TE85R	G2070003			
D 2520	DIODE				1SS226 TE85R	G2070003			
D 2522	DIODE				1SS226 TE85R	G2070003			
J 1001	CONNECTOR				TMP-J01X-A2	P1090255			
J 1003	CONNECTOR				JPJ2545-01-510	P1090633			
J 1004	CONNECTOR				JPJ2545-01-510	P1090633			
J 1005	CONNECTOR				TMP-J01X-A2	P1090255			
J 1006	CONNECTOR				TMP-J01X-V6	P1090210			
J 1007	CONNECTOR				TMP-J01X-V6	P1090210			
J 1008	CONNECTOR				TMP-J01X-V6	P1090210			
J 1012	CONNECTOR				SG8035#01	P1090350			
J 1013	CONNECTOR				JPJ2545-01-510	P1090633			
J 1014	CONNECTOR				SC25-08WS	P0090627			
J 1015	CONNECTOR				TCS5073-15-4151	P1090646			
J 1016	CONNECTOR				JPJ2545-01-510	P1090633			
J 1017	CONNECTOR				JPJ2545-01-510	P1090633			
J 1018	CONNECTOR				SC25-10WS	P0090629			
J 1020	CONNECTOR				SC25-05WS	P0090624			
J 1024	CONNECTOR				SC25-03WS	P0090622			
J 1026	CONNECTOR				SC25-03WS	P0090622			
J 1027	CONNECTOR				SC25-03WS	P0090622			
J 1028	CONNECTOR				SC25-02WS	P0090621			

REF.	DESCRIPTION	VALUE	WV	TOL.	MFGR'S DESIG	YAESU P/N	VERS.	LOT.	LAY ADR
J 1029	CONNECTOR				SC25-02WS	P0090621			
J 1030	CONNECTOR				3022-04B	P0090523			
J 1031	CONNECTOR				3022-04B	P0090523			
J 1032	CONNECTOR				3022-04B	P0090523			
J 1033	CONNECTOR				3022-04B	P0090523			
J 1034	CONNECTOR				3022-08A	P0090092			
J 1035	CONNECTOR				3022-08A	P0090092			
J 1036	CONNECTOR				SC25-03WS	P0090622			
J 2001	CONNECTOR				JPJ2545-01-510	P1090633			
J 2002	CONNECTOR				JPJ2545-01-510	P1090633			
J 2003	CONNECTOR				JPJ2545-01-510	P1090633			
J 2004	CONNECTOR				HLJ0540-01-010	P1090565			
J 2005	CONNECTOR				1210-1Y2-09S-AAZ	P1090972			
J 2006	CONNECTOR				TGS5073-59-4151	P1090649			
J 2008	CONNECTOR				TMP-J01X-V6	P1090210			
J 2009	CONNECTOR				3022-04B	P0090523			
J 2012	CONNECTOR				TMP-J01X-V6	P1090210			
J 2501	CONNECTOR				9269S-24B-GF	P1090895			
J 2502	CONNECTOR				SC25-04WS	P0090623			
J 2503	CONNECTOR				16FMZ-ST	P1090905			
J 2505	CONNECTOR				20FMZ-ST	P1090906			
J 2506	CONNECTOR				16FMZ-ST	P1090905			
J 2507	CONNECTOR				20FMZ-ST	P1090906			
JP1002	WIRE ASSY				A0734	T9206582			
JP1003	WIRE ASSY				A2720	T9206079			
JP1005	WIRE ASSY				A0734	T9206584			
JP1008	WIRE ASSY				A0734	T9206583			
JP1010	WIRE ASSY				A0243	T9206163			
JP1007	WIRE ASSY				A0734	T9206582			
JP1012	WIRE ASSY				RED 200 TMP/TMP	T9317994			
JP1013	WIRE ASSY				ORG 330 TMP/TMP	T9317995			
JP1014	WIRE ASSY				A0734	T9206593			
JP2501	WIRE ASSY				A0734	T9206617			
L 1001	M.RFC	100uH			LAP02TA101K	L1790070			
L 1002	M.RFC	2.7uH			LAP02TA2R7K	L1790051			
L 1003	M.RFC	100uH			LAP02TA101K	L1790070			
L 1005	COIL A1				5.5T5.0D0.6UEW R	L0021832A			
L 1006	COIL A1				5.5T3.5D0.6UEW R	L0021820A			
L 1007	M.RFC	1mH			LAL03VB102K	L1790164			
L 1008	M.RFC	5.6uH			LAP02TA5R6K	L1790055			
L 1009	M.RFC	3.3uH			LAP02TA3R3K	L1790052			
L 1010	M.RFC	5.6uH			LAP02TA5R6K	L1790055			
L 1011	M.RFC	6.8uH			LAP02TA6R8K	L1790056			
L 1012	M.RFC	6.8uH			LAP02TA6R8K	L1790056			
L 1013	M.RFC	2.2uH			LAP02TA2R2K	L1790050			
L 1014	M.RFC	8.2uH			LAP02TA8R2K	L1790057			
L 1015	M.RFC	2.2uH			LAP02TA2R2K	L1790050			
L 1016	M.RFC	1.2uH			LAP02TA1R2K	L1790047			
L 1017	M.RFC	5.6uH			LAP02TA5R6K	L1790055			
L 1018	M.RFC	1.2uH			LAP02TA1R2K	L1790047			
L 1019	M.RFC	1uH			LAP02TA1R0K	L1790046			
L 1020	M.RFC	2.2uH			LAP02TA2R2K	L1790050			
L 1021	M.RFC	1uH			LAP02TA1R0K	L1790046			
L 1022	M.RFC	0.68uH			LAP02TAR68K	L1790044			
L 1023	M.RFC	1.2uH			LAP02TA1R2K	L1790047			
L 1024	M.RFC	0.68uH			LAP02TAR68K	L1790044			
L 1025	M.RFC	0.22uH			LAP02TAR22K	L1790038			
L 1026	M.RFC	1.2uH			LAP02TA1R2K	L1790047			
L 1027	M.RFC	0.22uH			LAP02TAR22K	L1790038			
L 1028	COIL A1				8.5T3.0D0.5UEW R	L0020724A			

MAIN Unit

REF.	DESCRIPTION	VALUE	WV	TOL.	MFGR'S DESIG	YAESU P/N	VERS.	LOT.	LAY. ADR
L 1029	M.RFC	0.82uH			LAP02TAR82K	L1790045			
L 1030	COIL A1				8.5T3.0D0.5UEW R	L0020724A			
L 1031	M.RFC	1mH			LAL03VB102K	L1790164			
L 1032	M.RFC	1mH			LAL03VB102K	L1790164			
L 1033	M.RFC	1mH			LAL03VB102K	L1790164			
L 1034	M.RFC	1mH			LAL03VB102K	L1790164			
L 1035	M.RFC	5.6uH			LAP02TA5R6K	L1790055			
L 1036	M.RFC	100uH			LAP02TA101K	L1790070			
L 1040	COIL A1				6.5T4.0D0.6UEW R	L0021827A			
L 1041	M.RFC	100uH			LAP02TA101K	L1790070			
L 1042	M.RFC	1mH			LAL03VB102K	L1790164			
L 1043	M.RFC	100uH			LAP02TA101K	L1790070			
L 1044	M.RFC	10uH			LAP02TA100K	L1790058			
L 1045	M.RFC	100uH			LAP02TA101K	L1790070			
L 1046	M.RFC	100uH			LAP02TA101K	L1790070			
L 1047	M.RFC	100uH			LAP02TA101K	L1790070			
L 1048	CHIP COIL	0.12uH			LQN2AR12K	L1690012			
L 1049	CHIP COIL	0.12uH			LQN2AR12K	L1690012			
L 1050	M.RFC	100uH			LAP02TA101K	L1790070			
L 1051	M.RFC	100uH			LAP02TA101K	L1790070			
L 1052	M.RFC	100uH			LAP02TA101K	L1790070			
L 1053	M.RFC	1mH			LAL03VB102K	L1790164			
L 1054	M.RFC	1mH			LAL03VB102K	L1790164			
L 1055	M.RFC	1mH			LAL03VB102K	L1790164			
L 1056	CHIP COIL	0.15uH			LQN2AR15K	L1690013			
L 1137	M.RFC	100uH			LAP02TA101K	L1790070			
L 1138	M.RFC	100uH			LAP02TA101K	L1790070			
L 1140	M.RFC	100uH			LAP02TA101K	L1790070			
L 1141	M.RFC	0.22uH			LAP02TAR22K	L1790038			
L 2001	M.RFC	3.3uH			LAP02TA3R3K	L1790052			
L 2002	COIL	100MHz			S7-M1/03031	L0190232			
L 2003	M.RFC	2.2uH			LAP02TA2R2K	L1790050			
L 2004	M.RFC	3.3uH			LAP02TA3R3K	L1790052			
L 2005	COIL				S7-M1 R12-L722H	L0190181			
L 2006	M.RFC	2.2uH			LAP02TA2R2K	L1790050			
L 2007	M.RFC	3.3uH			LAP02TA3R3K	L1790052			
L 2008	COIL				S7-M1 R12-L722G	L0190180			
L 2009	M.RFC	2.2uH			LAP02TA2R2K	L1790050			
L 2010	M.RFC	3.3uH			LAP02TA3R3K	L1790052			
L 2011	COIL				S7-M1 R12-L722G	L0190180			
L 2012	M.RFC	2.2uH			LAP02TA2R2K	L1790050			
L 2013	M.RFC	3.3uH			LAP02TA3R3K	L1790052			
L 2014	COIL				S7-M1 R12-L722E	L0190178			
L 2015	M.RFC	2.2uH			LAP02TA2R2K	L1790050			
L 2017	COIL A1				5.5T3.5D0.6UEW R	L0021820A			
L 2018	COIL A1				5.5T3.5D0.6UEW R	L0021820A			
L 2019	M.RFC	1.2uH			LAP02TA1R2K	L1790047			
L 2020	M.RFC	1uH			LAP02TA1R0K	L1790046			
L 2021	M.RFC	1uH			LAP02TA1R0K	L1790046			
L 2022	M.RFC	1.5uH			LAP02TA1R5K	L1790048			
L 2024	M.RFC	100uH			LAP02TA101K	L1790070			
L 2025	M.RFC	220uH			LAP02TA221K	L1790074			
L 2026	M.RFC	220uH			LAP02TA221K	L1790074			
L 2027	M.RFC	0.82uH			LAP02TAR82K	L1790045			
L 2028	M.RFC	1uH			LAP02TA1R0K	L1790046			
L 2029	M.RFC	220uH			LAP02TA221K	L1790074			
L 2030	M.RFC	220uH			LAP02TA221K	L1790074			
L 2031	M.RFC	15uH			LAP02TA150K	L1790060			
L 2032	M.RFC	18uH			LAP02TA180K	L1790061			
L 2501	M.RFC	220uH			LAP02TA221K	L1790074			

REF.	DESCRIPTION	VALUE	WV	TOL.	MFGR'S DESIG	YAESU P/N	VERS.	LOT.	LAY ADR
L 2502	M.RFC	220uH			LAP02TA221K	L1790074			
L 2503	M.RFC	100uH			LAL04NA101K	L1190133			
L 2504	M.RFC	100uH			LAL03TA101K	L1790107			
L 2505	M.RFC	100uH			LAL02NA101K	L1190307			
Q 1001	TRANSISTOR				2SC2954-T2	G3329547			
Q 1004	FET				2SK2218-TD	G3822188			
Q 1005	FET				2SK2218-TD	G3822188			
Q 1006	FET				3SK131-T2B V12	G4801317B			
Q 1007	FET				2SK520-T2B K41	G3805207A			
Q 1008	FET				2SK520-T2B K41	G3805207A			
Q 1009	FET				2SK520-T2B K41	G3805207A			
Q 1010	FET				2SK520-T2B K41	G3805207A			
Q 1011	FET				3SK131-T2B V12	G4801317B			
Q 1012	FET				2SK520-T2B K41	G3805207A			
Q 1013	FET				2SK520-T2B K41	G3805207A			
Q 1014	FET				3SK131-T2B V12	G4801317B			
Q 1015	FET				3SK131-T2B V12	G4801317B			
Q 1016	TRANSISTOR				2SC2812L6-TA	G3328127F			
Q 1017	TRANSISTOR				2SC2812L6-TA	G3328127F			
Q 1018	TRANSISTOR				2SC2954-T2	G3329547			
Q 1019	TRANSISTOR				2SC2812L6-TA	G3328127F			
Q 1020	FET				3SK131-T2B V12	G4801317B			
Q 1021	FET				2SK302Y TE85R	G3803027Y			
Q 1022	FET				2SK302Y TE85R	G3803027Y			
Q 1023	FET				2SK520-T2B K41	G3805207A			
Q 1024	FET				3SK126Y TE85R	G4801267Y			
Q 1025	IC				SN74LS145N	G1090395			
Q 1026	IC				TC4S81F TE85R	G1090895			
Q 1027	TRANSISTOR				2SC2812L6-TA	G3328127F			
Q 1028	TRANSISTOR				2SC2812L6-TA	G3328127F			
Q 1029	IC				TC4W53F TE12L	G1091340			
Q 1030	IC				TC4W53F TE12L	G1091340			
Q 1032	TRANSISTOR				2SC2812L6-TA	G3328127F			
Q 1033	IC				UPC1037H	G1090101			
Q 1034	TRANSISTOR				2SC2812L6-TA	G3328127F			
Q 1035	IC				NJM78L05UA TE2	G1091325			
Q 1036	FET				3SK131-T2B V12	G4801317B			
Q 1037	FET				3SK131-T2B V12	G4801317B			
Q 1038	FET				2SK302Y TE85R	G3803027Y			
Q 1039	TRANSISTOR				2SC2812L6-TA	G3328127F			
Q 1040	TRANSISTOR				2SC4047-TA	G3340477			
Q 1041	TRANSISTOR				2SC4047-TA	G3340477			
Q 1042	FET				2SK160-T2B K5	G3801607E			
Q 1043	TRANSISTOR				2SC2812L6-TA	G3328127F			
Q 1044	IC				M5223FP-600C	G1090990			
Q 1045	IC				TC4S66F TE85R	G1090893			
Q 1046	IC				TC4S66F TE85R	G1090893			
Q 1047	IC				TC4S66F TE85R	G1090893			
Q 1048	IC				M5218AFP-600C	G1091607			
Q 1049	IC				TC4S66F TE85R	G1090893			
Q 1050	IC				TC4S66F TE85R	G1090893			
Q 1051	TRANSISTOR				2SC2812L6-TA	G3328127F			
Q 1052	TRANSISTOR				2SC2812L6-TA	G3328127F			
Q 1053	IC				TDA2003	G1090769			
Q 1054	IC				M5218AFP-600C	G1091607			
Q 1055	TRANSISTOR				2SC4047-TA	G3340477			
Q 1056	TRANSISTOR				2SC4047-TA	G3340477			
Q 1057	TRANSISTOR				2SC4047-TA	G3340477			
Q 1058	TRANSISTOR				2SC4047-TA	G3340477			
Q 1059	TRANSISTOR				2SC4047-TA	G3340477			

MAIN Unit

REF.	DESCRIPTION	VALUE	WV	TOL.	MFGR'S DESIG	YAESU P/N	VERS.	LOT.	LAY.ADR
Q 1060	IC				M5223FP-600C	G1090990			
Q 1061	TRANSISTOR				2SC4047-TA	G3340477			
Q 1062	IC				M5223FP-600C	G1090990			
Q 1065	TRANSISTOR				2SC3356-T2B R23	G3333567C			
Q 1082	TRANSISTOR				2SC2812L6-TA	G3328127F			
Q 1083	IC				M5223FP-600C	G1090990			
Q 1084	TRANSISTOR				2SC2714YTE85R	G3327147Y			
Q 1085	TRANSISTOR				BA1A4M-T	G3050001			
Q 2001	FET				2SK210BL TE85R	G3802107B			
Q 2002	TRANSISTOR				2SC4047-TA	G3340477			
Q 2003	FET				2SK210BL TE85R	G3802107B			
Q 2004	TRANSISTOR				2SC4047-TA	G3340477			
Q 2005	FET				2SK210BL TE85R	G3802107B			
Q 2006	TRANSISTOR				2SC4047-TA	G3340477			
Q 2007	FET				2SK210BL TE85R	G3802107B			
Q 2008	TRANSISTOR				2SC4047-TA	G3340477			
Q 2009	FET				2SK210BL TE85R	G3802107B			
Q 2010	TRANSISTOR				2SC4047-TA	G3340477			
Q 2011	TRANSISTOR				2SC2714YTE85R	G3327147Y			
Q 2012	TRANSISTOR				2SC2714YTE85R	G3327147Y			
Q 2013	TRANSISTOR				2SC2714YTE85R	G3327147Y			
Q 2014	IC				UPC1037H	G1090101			
Q 2015	FET				2SK302GR TE85R	G3803027G			
Q 2016	TRANSISTOR				2SC2714YTE85R	G3327147Y			
Q 2017	TRANSISTOR				2SC2714YTE85R	G3327147Y			
Q 2018	IC				MB87086APF-G-BND-TF	G1091419			
Q 2019	TRANSISTOR				2SA1179M6-TA	G3111797F			
Q 2020	FET				2SK208Y TE85R	G3802087Y			
Q 2022	FET				2SK302GR TE85R	G3803027G			
Q 2023	IC				UPC1037H	G1090101			
Q 2024	TRANSISTOR				2SC2714YTE85R	G3327147Y			
Q 2025	IC				UPC1037H	G1090101			
Q 2026	TRANSISTOR				2SC2714YTE85R	G3327147Y			
Q 2027	FET				2SK210GR TE85R	G3802107G			
Q 2028	TRANSISTOR				2SC2714YTE85R	G3327147Y			
Q 2029	TRANSISTOR				2SC2714YTE85R	G3327147Y			
Q 2030	TRANSISTOR				2SC2714YTE85R	G3327147Y			
Q 2031	IC				FQ7928	G1092005			
Q 2032	TRANSISTOR				2SC2812L6-TA	G3328127F			
Q 2033	TRANSISTOR				2SC2714YTE85R	G3327147Y			
Q 2034	IC				FQ7928	G1092005			
Q 2035	TRANSISTOR				2SC2812L6-TA	G3328127F			
Q 2036	TRANSISTOR				2SD669A	G3406691			
Q 2037	PROTECTOR				ICP-F10	G9090082			
Q 2038	TRANSISTOR				2SC2812L6-TA	G3328127F			
Q 2039	TRANSISTOR				2SC458C	G3304580C			
Q 2501	IC				MB89133APFM-G-258-BND	G1092046			
Q 2502	IC				TC74HC32AF TP2	G1091061			
Q 2503	IC				TC74HC138F TP2	G1091023			
Q 2504	IC				MAX232CWE-T	G1091907			
Q 2505	IC				M51945BFP-600C	G1091990			
Q 2506	IC				24LC02BT1/SN	G1092237			
Q 2507	IC				NM93C86AM8	G1092512			
Q 2508	IC				TC4028BF TP2	G1091157			
Q 2509	IC				TD62783F TP1	G1091620			
Q 2510	IC				TC74HC04AF TP2	G1091228			
Q 2511	IC				TC74HC138F TP2	G1091023			
Q 2512	TRANSISTOR				2SC4047-TA	G3340477			
Q 2513	IC				TD62783F TP1	G1091620			
Q 2515	IC				TC74HC574AF TP2	G1091081			

REF.	DESCRIPTION	VALUE	WV	TOL.	MFGR'S DESIG	YAESU P/N	VERS.	LOT.	LAY ADR
Q 2516	IC				TC74HC574AF TP2	G1091081			
Q 2517	IC				TC74HC574AF TP2	G1091081			
Q 2518	IC				TC74HC574AF TP2	G1091081			
Q 2519	IC				TC74HC541AF-TP2	G1091011			
Q 2520	IC				TC74HC32AF TP2	G1091061			
Q 2521	IC				TC74HC32AF TP2	G1091061			
Q 2522	IC				TC74HC32AF TP2	G1091061			
Q 2523	IC				TC74HC32AF TP2	G1091061			
Q 2524	TRANSISTOR				2SA1179M6-TA	G3111797F			
Q 2525	TRANSISTOR				2SC2812L6-TA	G3328127F			
Q 2526	IC				TC74HC00AF TP2	G1091060			
Q 2527	TRANSISTOR				2SC4047-TA	G3340477			
Q 2528	TRANSISTOR				2SC4047-TA	G3340477			
Q 2529	TRANSISTOR				2SC4047-TA	G3340477			
Q 2530	TRANSISTOR				2SC4047-TA	G3340477			
Q 2531	TRANSISTOR				2SC4047-TA	G3340477			
Q 2532	TRANSISTOR				2SC4047-TA	G3340477			
Q 2533	TRANSISTOR				2SC4047-TA	G3340477			
Q 2534	IC				MB90P263PFV-G-5002	G1092633			
Q 2535	TRANSISTOR				2SC4047-TA	G3340477			
Q 2537	IC				NM93C86AM8	G1092512			
Q 2538	IC				TC74HC08AF TP2	G1090975			
Q 2539	IC				M5223FP-600C	G1090990			
Q 2540	TRANSISTOR				FMC5A T148	G3070185			
Q 2541	TRANSISTOR				2SC4047-TA	G3340477			
Q 2542	TRANSISTOR				2SC4047-TA	G3340477			
Q 2543	TRANSISTOR				FMQ2 T148	G3070187			
Q 2544	TRANSISTOR				FMQ2 T148	G3070187			
Q 2545	TRANSISTOR				BA1A4P-T	G3050003			
R 1001	CHIP RES.	22ohm	1/10W	5%	RMC1/10T 220J	J24205220			
R 1002	CHIP RES.	100ohm	1/2W	5%	RMC1/2 101JCTP	J24275101			
R 1003	CHIP RES.	1kohm	1/10W	5%	RMC1/10T 102J	J24205102			
R 1004	CHIP RES.	820ohm	1/10W	5%	RMC1/10T 821J	J24205821			
R 1005	CHIP RES.	680ohm	1/10W	5%	RMC1/10T 681J	J24205681			
R 1006	CHIP RES.	100ohm	1/10W	5%	RMC1/10T 101J	J24205101			
R 1007	CARBON FILM RES.	220ohm	1/6W	5%	RD16TPJ221	J07225221			
R 1008	CHIP RES.	100ohm	1/10W	5%	RMC1/10T 101J	J24205101			
R 1010	CHIP RES.	47ohm	1/10W	5%	RMC1/10T 470J	J24205470			
R 1011	CHIP RES.	100ohm	1/10W	5%	RMC1/10T 101J	J24205101			
R 1012	CHIP RES.	150ohm	1/10W	5%	RMC1/10T 151J	J24205151			
R 1013	CHIP RES.	68ohm	1/10W	5%	RMC1/10T 680J	J24205680			
R 1014	CARBON FILM RES.	220ohm	1/6W	5%	RD16TPJ221	J07225221			
R 1015	CHIP RES.	10ohm	1/10W	5%	RMC1/10T 100J	J24205100			
R 1016	CHIP RES.	39ohm	1/10W	5%	RMC1/10T 390J	J24205390			
R 1017	CHIP RES.	10ohm	1/10W	5%	RMC1/10T 100J	J24205100			
R 1018	CHIP RES.	39ohm	1/10W	5%	RMC1/10T 390J	J24205390			
R 1019	CHIP RES.	100ohm	1/2W	5%	RMC1/2 101JCTP	J24275101			
R 1020	CHIP RES.	22ohm	1/10W	5%	RMC1/10T 220J	J24205220			
R 1021	CHIP RES.	120ohm	1/2W	5%	RMC1/2 121JATE	J24275121			
R 1022	CHIP RES.	22ohm	1/10W	5%	RMC1/10T 220J	J24205220			
R 1023	CHIP RES.	120ohm	1/2W	5%	RMC1/2 121JATE	J24275121			
R 1024	CHIP RES.	22ohm	1/10W	5%	RMC1/10T 220J	J24205220			
R 1025	CHIP RES.	120ohm	1/2W	5%	RMC1/2 121JATE	J24275121			
R 1026	CHIP RES.	22ohm	1/10W	5%	RMC1/10T 220J	J24205220			
R 1027	CHIP RES.	120ohm	1/2W	5%	RMC1/2 121JATE	J24275121			
R 1028	CHIP RES.	22ohm	1/10W	5%	RMC1/10T 220J	J24205220			
R 1029	CHIP RES.	120ohm	1/2W	5%	RMC1/2 121JATE	J24275121			
R 1030	CHIP RES.	22ohm	1/10W	5%	RMC1/10T 220J	J24205220			
R 1031	CHIP RES.	120ohm	1/2W	5%	RMC1/2 121JATE	J24275121			
R 1032	CHIP RES.	22ohm	1/10W	5%	RMC1/10T 220J	J24205220			

MAIN Unit

REF.	DESCRIPTION	VALUE	WV	TOL.	MFGR'S DESIG	YAESU P/N	VERS.	LOT.	LAY ADR
R 1033	CHIP RES.	120ohm	1/2W	5%	RMC1/2 121JATE	J24275121			
R 1034	CHIP RES.	22ohm	1/10W	5%	RMC1/10T 220J	J24205220			
R 1035	CHIP RES.	120ohm	1/2W	5%	RMC1/2 121JATE	J24275121			
R 1036	CHIP RES.	22ohm	1/10W	5%	RMC1/10T 220J	J24205220			
R 1037	CHIP RES.	120ohm	1/2W	5%	RMC1/2 121JATE	J24275121			
R 1038	CHIP RES.	22ohm	1/10W	5%	RMC1/10T 220J	J24205220			
R 1039	CHIP RES.	120ohm	1/2W	5%	RMC1/2 121JATE	J24275121			
R 1040	CHIP RES.	150ohm	1/4W	5%	RMC1/4 151JATP	J24245151			
R 1041	CHIP RES.	150ohm	1/10W	5%	RMC1/10T 151J	J24205151			
R 1042	CHIP RES.	150ohm	1/4W	5%	RMC1/4 151JATP	J24245151			
R 1043	CARBON FILM RES.	68ohm	1/6W	5%	RD16TPJ680	J07225680			
R 1044	CHIP RES.	100ohm	1/10W	5%	RMC1/10T 101J	J24205101			
R 1045	CHIP RES.	150ohm	1/10W	5%	RMC1/10T 151J	J24205151			
R 1046	CHIP RES.	150ohm	1/4W	5%	RMC1/4 151JATP	J24245151			
R 1047	CHIP RES.	47ohm	1/10W	5%	RMC1/10T 470J	J24205470			
R 1048	CHIP RES.	12kohm	1/10W	5%	RMC1/10T 123J	J24205123			
R 1049	CHIP RES.	220ohm	1/10W	5%	RMC1/10T 221J	J24205221			
R 1050	CHIP RES.	100ohm	1/10W	5%	RMC1/10T 101J	J24205101			
R 1051	CHIP RES.	150ohm	1/10W	5%	RMC1/10T 151J	J24205151			
R 1052	CHIP RES.	1kohm	1/10W	5%	RMC1/10T 102J	J24205102			
R 1053	CHIP RES.	470ohm	1/4W	5%	RMC1/4 471JATP	J24245471			
R 1054	CHIP RES.	680ohm	1/10W	5%	RMC1/10T 681J	J24205681			
R 1055	CHIP RES.	680ohm	1/10W	5%	RMC1/10T 681J	J24205681			
R 1056	CHIP RES.	10ohm	1/10W	5%	RMC1/10T 100J	J24205100			
R 1057	CHIP RES.	10ohm	1/10W	5%	RMC1/10T 100J	J24205100			
R 1058	CHIP RES.	10ohm	1/10W	5%	RMC1/10T 100J	J24205100			
R 1059	CHIP RES.	10ohm	1/10W	5%	RMC1/10T 100J	J24205100			
R 1060	CHIP RES.	10ohm	1/10W	5%	RMC1/10T 100J	J24205100			
R 1061	CHIP RES.	33kohm	1/10W	5%	RMC1/10T 333J	J24205333			
R 1062	CHIP RES.	100kohm	1/10W	5%	RMC1/10T 104J	J24205104			
R 1063	CHIP RES.	150kohm	1/10W	5%	RMC1/10T 154J	J24205154			
R 1064	CHIP RES.	47ohm	1/10W	5%	RMC1/10T 470J	J24205470			
R 1065	CHIP RES.	470kohm	1/10W	5%	RMC1/10T 474J	J24205474			
R 1066	CHIP RES.	150ohm	1/10W	5%	RMC1/10T 151J	J24205151			
R 1067	CHIP RES.	100ohm	1/10W	5%	RMC1/10T 101J	J24205101			
R 1068	CHIP RES.	33kohm	1/10W	5%	RMC1/10T 333J	J24205333			
R 1069	CHIP RES.	39kohm	1/10W	5%	RMC1/10T 393J	J24205393			
R 1070	CHIP RES.	2.7kohm	1/10W	5%	RMC1/10T 272J	J24205272			
R 1071	CHIP RES.	0ohm	1/10W	5%	RMC1/10T 000J	J24205000			
R 1072	CHIP RES.	0ohm	1/10W	5%	RMC1/10T 000J	J24205000			
R 1073	CHIP RES.	2.2kohm	1/10W	5%	RMC1/10T 222J	J24205222			
R 1074	CHIP RES.	2.2kohm	1/10W	5%	RMC1/10T 222J	J24205222			
R 1076	CHIP RES.	100ohm	1/10W	5%	RMC1/10T 101J	J24205101			
R 1077	CHIP RES.	10kohm	1/10W	5%	RMC1/10T 103J	J24205103			
R 1078	CHIP RES.	47kohm	1/10W	5%	RMC1/10T 473J	J24205473			
R 1079	CHIP RES.	100ohm	1/10W	5%	RMC1/10T 101J	J24205101			
R 1080	CHIP RES.	150ohm	1/10W	5%	RMC1/10T 151J	J24205151			
R 1081	CHIP RES.	15kohm	1/10W	5%	RMC1/10T 153J	J24205153			
R 1082	CHIP RES.	100ohm	1/10W	5%	RMC1/10T 101J	J24205101			
R 1083	CHIP RES.	10kohm	1/10W	5%	RMC1/10T 103J	J24205103			
R 1084	CHIP RES.	39kohm	1/10W	5%	RMC1/10T 393J	J24205393			
R 1085	CHIP RES.	100ohm	1/10W	5%	RMC1/10T 101J	J24205101			
R 1086	CHIP RES.	150ohm	1/10W	5%	RMC1/10T 151J	J24205151			
R 1087	CHIP RES.	10kohm	1/10W	5%	RMC1/10T 103J	J24205103			
R 1088	CHIP RES.	100ohm	1/10W	5%	RMC1/10T 101J	J24205101			
R 1089	CHIP RES.	10kohm	1/10W	5%	RMC1/10T 103J	J24205103			
R 1090	CHIP RES.	100kohm	1/10W	5%	RMC1/10T 104J	J24205104			
R 1091	CHIP RES.	4.7kohm	1/10W	5%	RMC1/10T 472J	J24205472			
R 1092	CHIP RES.	10kohm	1/10W	5%	RMC1/10T 103J	J24205103			
R 1093	CHIP RES.	47kohm	1/10W	5%	RMC1/10T 473J	J24205473			

REF.	DESCRIPTION	VALUE	WV	TOL.	MFGR'S DESIG	YAESU P/N	VERS.	LOT.	LAY ADR
R 1094	CHIP RES.	2.2kohm	1/10W	5%	RMC1/10T 222J	J24205222			
R 1095	CHIP RES.	68ohm	1/10W	5%	RMC1/10T 680J	J24205680			
R 1096	CHIP RES.	470ohm	1/10W	5%	RMC1/10T 471J	J24205471			
R 1097	CHIP RES.	1kohm	1/10W	5%	RMC1/10T 102J	J24205102			
R 1098	CHIP RES.	68ohm	1/10W	5%	RMC1/10T 680J	J24205680			
R 1099	CARBON FILM RES.	100ohm	1/6W	5%	RD16TPJ101	J07225101			
R 1100	CHIP RES.	10ohm	1/10W	5%	RMC1/10T 100J	J24205100			
R 1101	CHIP RES.	1kohm	1/10W	5%	RMC1/10T 102J	J24205102			
R 1102	CHIP RES.	330ohm	1/10W	5%	RMC1/10T 331J	J24205331			
R 1103	CHIP RES.	68ohm	1/10W	5%	RMC1/10T 680J	J24205680			
R 1104	CHIP RES.	1kohm	1/10W	5%	RMC1/10T 102J	J24205102			
R 1105	CHIP RES.	100ohm	1/10W	5%	RMC1/10T 101J	J24205101			
R 1106	CHIP RES.	100ohm	1/10W	5%	RMC1/10T 101J	J24205101			
R 1107	CHIP RES.	100ohm	1/10W	5%	RMC1/10T 101J	J24205101			
R 1108	CHIP RES.	100ohm	1/10W	5%	RMC1/10T 101J	J24205101			
R 1109	CHIP RES.	100ohm	1/10W	5%	RMC1/10T 101J	J24205101			
R 1110	CHIP RES.	470ohm	1/10W	5%	RMC1/10T 471J	J24205471			
R 1111	CHIP RES.	100kohm	1/10W	5%	RMC1/10T 104J	J24205104			
R 1112	CHIP RES.	100ohm	1/10W	5%	RMC1/10T 101J	J24205101			
R 1113	CHIP RES.	10kohm	1/10W	5%	RMC1/10T 103J	J24205103			
R 1114	CHIP RES.	4.7kohm	1/10W	5%	RMC1/10T 472J	J24205472			
R 1115	CHIP RES.	3.3kohm	1/10W	5%	RMC1/10T 332J	J24205332			
R 1116	CHIP RES.	100ohm	1/10W	5%	RMC1/10T 101J	J24205101			
R 1117	CHIP RES.	82ohm	1/10W	5%	RMC1/10T 820J	J24205820			
R 1118	CHIP RES.	1.5kohm	1/10W	5%	RMC1/10T 152J	J24205152			
R 1119	CHIP RES.	82ohm	1/10W	5%	RMC1/10T 820J	J24205820			
R 1120	CHIP RES.	100ohm	1/10W	5%	RMC1/10T 101J	J24205101			
R 1121	CHIP RES.	100ohm	1/10W	5%	RMC1/10T 101J	J24205101			
R 1122	CHIP RES.	150ohm	1/10W	5%	RMC1/10T 151J	J24205151			
R 1123	CHIP RES.	1kohm	1/10W	5%	RMC1/10T 102J	J24205102			
R 1124	CHIP RES.	150ohm	1/10W	5%	RMC1/10T 151J	J24205151			
R 1125	CHIP RES.	100ohm	1/10W	5%	RMC1/10T 101J	J24205101			
R 1127	CHIP RES.	3.3kohm	1/10W	5%	RMC1/10T 332J	J24205332			
R 1128	CHIP RES.	3.3kohm	1/10W	5%	RMC1/10T 332J	J24205332			
R 1129	CHIP RES.	100ohm	1/10W	5%	RMC1/10T 101J	J24205101			
R 1130	CHIP RES.	100ohm	1/10W	5%	RMC1/10T 101J	J24205101			
R 1133	CHIP RES.	10kohm	1/10W	5%	RMC1/10T 103J	J24205103			
R 1134	CHIP RES.	100kohm	1/10W	5%	RMC1/10T 104J	J24205104			
R 1135	CHIP RES.	680ohm	1/10W	5%	RMC1/10T 681J	J24205681			
R 1136	CHIP RES.	3.3kohm	1/10W	5%	RMC1/10T 332J	J24205332			
R 1137	CHIP RES.	10kohm	1/10W	5%	RMC1/10T 103J	J24205103			
R 1138	CHIP RES.	2.2kohm	1/10W	5%	RMC1/10T 222J	J24205222			
R 1139	CHIP RES.	10kohm	1/10W	5%	RMC1/10T 103J	J24205103			
R 1140	CHIP RES.	100ohm	1/10W	5%	RMC1/10T 101J	J24205101			
R 1141	CHIP RES.	100ohm	1/10W	5%	RMC1/10T 101J	J24205101			
R 1142	CHIP RES.	680ohm	1/10W	5%	RMC1/10T 681J	J24205681			
R 1143	CHIP RES.	22kohm	1/10W	5%	RMC1/10T 223J	J24205223			
R 1144	CHIP RES.	1kohm	1/10W	5%	RMC1/10T 102J	J24205102			
R 1145	CHIP RES.	390kohm	1/10W	5%	RMC1/10T 394J	J24205394			
R 1146	CHIP RES.	82kohm	1/10W	5%	RMC1/10T 823J	J24205823			
R 1147	CHIP RES.	100kohm	1/10W	5%	RMC1/10T 104J	J24205104			
R 1148	CHIP RES.	470ohm	1/10W	5%	RMC1/10T 471J	J24205471			
R 1149	CHIP RES.	470ohm	1/10W	5%	RMC1/10T 471J	J24205471			
R 1150	CHIP RES.	100ohm	1/10W	5%	RMC1/10T 101J	J24205101			
R 1152	CHIP RES.	82kohm	1/10W	5%	RMC1/10T 823J	J24205823			
R 1153	CARBON FILM RES.	100kohm	1/6W	5%	RD16TPJ104	J07225104			
R 1155	CHIP RES.	1kohm	1/10W	5%	RMC1/10T 102J	J24205102			
R 1157	CHIP RES.	100ohm	1/10W	5%	RMC1/10T 101J	J24205101			
R 1161	CHIP RES.	10ohm	1/10W	5%	RMC1/10T 100J	J24205100			
R 1162	CHIP RES.	100ohm	1/10W	5%	RMC1/10T 101J	J24205101			

MAIN Unit

REF.	DESCRIPTION	VALUE	WV	TOL.	MFGR'S DESIG	YAESU P/N	VERS.	LOT.	LAY.ADR
R 1163	CHIP RES.	10ohm	1/10W	5%	RMC1/10T 100J	J24205100			
R 1164	CHIP RES.	100ohm	1/10W	5%	RMC1/10T 101J	J24205101			
R 1165	CHIP RES.	0ohm	1/10W	5%	RMC1/10T 000J	J24205000			
R 1166	CHIP RES.	68ohm	1/10W	5%	RMC1/10T 680J	J24205680			
R 1167	CHIP RES.	15ohm	1/10W	5%	RMC1/10T 150J	J24205150			
R 1168	CHIP RES.	10kohm	1/10W	5%	RMC1/10T 103J	J24205103			
R 1169	CHIP RES.	47kohm	1/10W	5%	RMC1/10T 473J	J24205473			
R 1170	CHIP RES.	470ohm	1/10W	5%	RMC1/10T 471J	J24205471			
R 1171	CHIP RES.	100kohm	1/10W	5%	RMC1/10T 104J	J24205104			
R 1172	CHIP RES.	2.2kohm	1/10W	5%	RMC1/10T 222J	J24205222			
R 1173	CHIP RES.	100ohm	1/10W	5%	RMC1/10T 101J	J24205101			
R 1174	CHIP RES.	150ohm	1/4W	5%	RMC1/4 151JATP	J24245151			
R 1175	CHIP RES.	10kohm	1/10W	5%	RMC1/10T 103J	J24205103			
R 1176	CHIP RES.	10kohm	1/10W	5%	RMC1/10T 103J	J24205103			
R 1177	CHIP RES.	10kohm	1/10W	5%	RMC1/10T 103J	J24205103			
R 1178	CHIP RES.	10kohm	1/10W	5%	RMC1/10T 103J	J24205103			
R 1179	CHIP RES.	10kohm	1/10W	5%	RMC1/10T 103J	J24205103			
R 1180	CHIP RES.	10kohm	1/10W	5%	RMC1/10T 103J	J24205103			
R 1181	CHIP RES.	10kohm	1/10W	5%	RMC1/10T 103J	J24205103			
R 1182	CHIP RES.	10kohm	1/10W	5%	RMC1/10T 103J	J24205103			
R 1183	CHIP RES.	10kohm	1/10W	5%	RMC1/10T 103J	J24205103			
R 1184	CHIP RES.	10kohm	1/10W	5%	RMC1/10T 103J	J24205103			
R 1185	CHIP RES.	47kohm	1/10W	5%	RMC1/10T 473J	J24205473			
R 1186	CHIP RES.	10kohm	1/10W	5%	RMC1/10T 103J	J24205103			
R 1187	CHIP RES.	1kohm	1/10W	5%	RMC1/10T 102J	J24205102			
R 1188	CHIP RES.	39kohm	1/10W	5%	RMC1/10T 393J	J24205393			
R 1189	CHIP RES.	10kohm	1/10W	5%	RMC1/10T 103J	J24205103			
R 1190	CHIP RES.	100ohm	1/10W	5%	RMC1/10T 101J	J24205101			
R 1191	CHIP RES.	2.2kohm	1/10W	5%	RMC1/10T 222J	J24205222			
R 1192	CHIP RES.	82ohm	1/10W	5%	RMC1/10T 820J	J24205820			
R 1193	CHIP RES.	470ohm	1/10W	5%	RMC1/10T 471J	J24205471			
R 1194	CHIP RES.	1kohm	1/10W	5%	RMC1/10T 102J	J24205102			
R 1195	CHIP RES.	100kohm	1/10W	5%	RMC1/10T 104J	J24205104			
R 1196	CHIP RES.	1kohm	1/10W	5%	RMC1/10T 102J	J24205102			
R 1197	CHIP RES.	100kohm	1/10W	5%	RMC1/10T 104J	J24205104			
R 1198	CHIP RES.	100kohm	1/10W	5%	RMC1/10T 104J	J24205104			
R 1199	CHIP RES.	100kohm	1/10W	5%	RMC1/10T 104J	J24205104			
R 1200	CHIP RES.	100kohm	1/10W	5%	RMC1/10T 104J	J24205104			
R 1201	CHIP RES.	150kohm	1/10W	5%	RMC1/10T 154J	J24205154			
R 1202	CHIP RES.	100kohm	1/10W	5%	RMC1/10T 104J	J24205104			
R 1203	CHIP RES.	100kohm	1/10W	5%	RMC1/10T 104J	J24205104			
R 1210	CHIP RES.	150kohm	1/10W	5%	RMC1/10T 154J	J24205154			
R 1211	CHIP RES.	100ohm	1/10W	5%	RMC1/10T 101J	J24205101			
R 1212	CHIP RES.	330ohm	1/10W	5%	RMC1/10T 331J	J24205331			
R 1213	CHIP RES.	100ohm	1/10W	5%	RMC1/10T 101J	J24205101			
R 1214	CHIP RES.	15kohm	1/10W	5%	RMC1/10T 153J	J24205153			
R 1215	CHIP RES.	18kohm	1/10W	5%	RMC1/10T 183J	J24205183			
R 1216	CHIP RES.	8.2kohm	1/10W	5%	RMC1/10T 822J	J24205822			
R 1217	CHIP RES.	1kohm	1/10W	5%	RMC1/10T 102J	J24205102			
R 1218	CHIP RES.	100kohm	1/10W	5%	RMC1/10T 104J	J24205104			
R 1219	CHIP RES.	0ohm	1/10W	5%	RMC1/10T 000J	J24205000			
R 1220	CHIP RES.	1kohm	1/10W	5%	RMC1/10T 102J	J24205102			
R 1221	CHIP RES.	330ohm	1/10W	5%	RMC1/10T 331J	J24205331			
R 1222	CHIP RES.	390ohm	1/10W	5%	RMC1/10T 391J	J24205391			
R 1223	CHIP RES.	22kohm	1/10W	5%	RMC1/10T 223J	J24205223			
R 1224	CHIP RES.	1kohm	1/10W	5%	RMC1/10T 102J	J24205102			
R 1225	CHIP RES.	3.3kohm	1/10W	5%	RMC1/10T 332J	J24205332			
R 1227	CHIP RES.	1kohm	1/10W	5%	RMC1/10T 102J	J24205102			
R 1228	CHIP RES.	100ohm	1/10W	5%	RMC1/10T 101J	J24205101			
R 1229	CHIP RES.	100ohm	1/10W	5%	RMC1/10T 101J	J24205101			

REF.	DESCRIPTION	VALUE	WV	TOL.	MFGR'S DESIG	YAESU P/N	VERS.	LOT.	LAY ADR
R 1230	CHIP RES.	0ohm	1/10W	5%	RMC1/10T 000J	J24205000			
R 1231	CHIP RES.	10kohm	1/10W	5%	RMC1/10T 103J	J24205103			
R 1232	CHIP RES.	100kohm	1/10W	5%	RMC1/10T 104J	J24205104			
R 1233	CHIP RES.	100ohm	1/10W	5%	RMC1/10T 101J	J24205101			
R 1234	CHIP RES.	1kohm	1/10W	5%	RMC1/10T 102J	J24205102			
R 1235	CHIP RES.	3.3kohm	1/10W	5%	RMC1/10T 332J	J24205332			
R 1236	CHIP RES.	150kohm	1/10W	5%	RMC1/10T 154J	J24205154			
R 1237	CHIP RES.	10kohm	1/10W	5%	RMC1/10T 103J	J24205103			
R 1238	CHIP RES.	100kohm	1/10W	5%	RMC1/10T 104J	J24205104			
R 1239	CHIP RES.	100ohm	1/10W	5%	RMC1/10T 101J	J24205101			
R 1240	CHIP RES.	150ohm	1/10W	5%	RMC1/10T 151J	J24205151			
R 1241	CHIP RES.	15kohm	1/10W	5%	RMC1/10T 153J	J24205153			
R 1242	CHIP RES.	100ohm	1/10W	5%	RMC1/10T 101J	J24205101			
R 1243	CHIP RES.	4.7kohm	1/10W	5%	RMC1/10T 472J	J24205472			
R 1244	CHIP RES.	68kohm	1/10W	5%	RMC1/10T 683J	J24205683			
R 1245	CHIP RES.	10kohm	1/10W	5%	RMC1/10T 103J	J24205103			
R 1246	CHIP RES.	5.6kohm	1/10W	5%	RMC1/10T 562J	J24205562			
R 1247	CHIP RES.	100ohm	1/10W	5%	RMC1/10T 101J	J24205101			
R 1248	CHIP RES.	330ohm	1/10W	5%	RMC1/10T 331J	J24205331			
R 1249	CHIP RES.	22kohm	1/10W	5%	RMC1/10T 223J	J24205223			
R 1250	CHIP RES.	100ohm	1/10W	5%	RMC1/10T 101J	J24205101			
R 1251	CHIP RES.	8.2kohm	1/10W	5%	RMC1/10T 822J	J24205822			
R 1253	CHIP RES.	100kohm	1/10W	5%	RMC1/10T 104J	J24205104			
R 1254	CHIP RES.	220ohm	1/10W	5%	RMC1/10T 221J	J24205221			
R 1255	CHIP RES.	22kohm	1/10W	5%	RMC1/10T 223J	J24205223			
R 1256	CHIP RES.	100ohm	1/10W	5%	RMC1/10T 101J	J24205101			
R 1257	CHIP RES.	47ohm	1/10W	5%	RMC1/10T 470J	J24205470			
R 1258	CHIP RES.	100kohm	1/10W	5%	RMC1/10T 104J	J24205104			
R 1259	CHIP RES.	1kohm	1/10W	5%	RMC1/10T 102J	J24205102			
R 1260	CHIP RES.	2.2kohm	1/10W	5%	RMC1/10T 222J	J24205222			
R 1261	CHIP RES.	100ohm	1/10W	5%	RMC1/10T 101J	J24205101			
R 1262	CHIP RES.	47kohm	1/10W	5%	RMC1/10T 473J	J24205473			
R 1263	CHIP RES.	47kohm	1/10W	5%	RMC1/10T 473J	J24205473			
R 1264	CHIP RES.	22kohm	1/10W	5%	RMC1/10T 223J	J24205223			
R 1265	CHIP RES.	10kohm	1/10W	5%	RMC1/10T 103J	J24205103			
R 1266	CHIP RES.	10kohm	1/10W	5%	RMC1/10T 103J	J24205103			
R 1267	CHIP RES.	1.5Mohm	1/10W	5%	RMC1/10T 155J	J24205155			
R 1268	CHIP RES.	4.7kohm	1/10W	5%	RMC1/10T 472J	J24205472			
R 1269	CHIP RES.	2.2kohm	1/10W	5%	RMC1/10T 222J	J24205222			
R 1270	CHIP RES.	47kohm	1/10W	5%	RMC1/10T 473J	J24205473			
R 1271	CHIP RES.	47kohm	1/10W	5%	RMC1/10T 473J	J24205473			
R 1272	CHIP RES.	150kohm	1/10W	5%	RMC1/10T 154J	J24205154			
R 1273	CHIP RES.	150kohm	1/10W	5%	RMC1/10T 154J	J24205154			
R 1274	CHIP RES.	470ohm	1/10W	5%	RMC1/10T 471J	J24205471			
R 1275	CHIP RES.	100kohm	1/10W	5%	RMC1/10T 104J	J24205104			
R 1276	CHIP RES.	1kohm	1/10W	5%	RMC1/10T 102J	J24205102			
R 1277	CHIP RES.	100kohm	1/10W	5%	RMC1/10T 104J	J24205104			
R 1278	CHIP RES.	100kohm	1/10W	5%	RMC1/10T 104J	J24205104			
R 1279	CHIP RES.	1kohm	1/10W	5%	RMC1/10T 102J	J24205102			
R 1280	CHIP RES.	100kohm	1/10W	5%	RMC1/10T 104J	J24205104			
R 1281	CHIP RES.	100kohm	1/10W	5%	RMC1/10T 104J	J24205104			
R 1282	CHIP RES.	100kohm	1/10W	5%	RMC1/10T 104J	J24205104			
R 1283	CHIP RES.	100kohm	1/10W	5%	RMC1/10T 104J	J24205104			
R 1284	CHIP RES.	150kohm	1/10W	5%	RMC1/10T 154J	J24205154			
R 1285	CHIP RES.	150kohm	1/10W	5%	RMC1/10T 154J	J24205154			
R 1286	CHIP RES.	150kohm	1/10W	5%	RMC1/10T 154J	J24205154			
R 1287	CHIP RES.	47kohm	1/10W	5%	RMC1/10T 473J	J24205473			
R 1288	CHIP RES.	33kohm	1/10W	5%	RMC1/10T 333J	J24205333			
R 1289	CHIP RES.	22kohm	1/10W	5%	RMC1/10T 223J	J24205223			
R 1290	CHIP RES.	4.7kohm	1/10W	5%	RMC1/10T 472J	J24205472			

MAIN Unit

REF.	DESCRIPTION	VALUE	WV	TOL.	MFGR'S DESIG	YAESU P/N	VERS.	LOT.	LAY ADR
R 1291	CHIP RES.	10kohm	1/10W	5%	RMC1/10T 103J	J24205103			
R 1292	CHIP RES.	6.8kohm	1/10W	5%	RMC1/10T 682J	J24205682			
R 1293	CHIP RES.	15kohm	1/10W	5%	RMC1/10T 153J	J24205153			
R 1294	CHIP RES.	1kohm	1/10W	5%	RMC1/10T 102J	J24205102			
R 1295	CHIP RES.	10kohm	1/10W	5%	RMC1/10T 103J	J24205103			
R 1296	CHIP RES.	100kohm	1/10W	5%	RMC1/10T 104J	J24205104			
R 1297	CHIP RES.	100ohm	1/10W	5%	RMC1/10T 101J	J24205101			
R 1298	CHIP RES.	1kohm	1/10W	5%	RMC1/10T 102J	J24205102			
R 1299	CHIP RES.	10kohm	1/10W	5%	RMC1/10T 103J	J24205103			
R 1300	CHIP RES.	100kohm	1/10W	5%	RMC1/10T 104J	J24205104			
R 1301	CHIP RES.	100ohm	1/10W	5%	RMC1/10T 101J	J24205101			
R 1302	CHIP RES.	1kohm	1/10W	5%	RMC1/10T 102J	J24205102			
R 1303	CHIP RES.	10kohm	1/10W	5%	RMC1/10T 103J	J24205103			
R 1304	CHIP RES.	10kohm	1/10W	5%	RMC1/10T 103J	J24205103			
R 1305	METAL FILM RES.	3.3ohm	2W	5%	ERX-2SJ3R3P	J22339003			
R 1306	CHIP RES.	220ohm	1/2W	5%	RMC1/2 221JCTP	J24275221			
R 1307	CHIP RES.	2.2ohm	1/10W	5%	RMC1/10T 2R2J	J24205229			
R 1308	CARBON FILM RES.	1ohm	1/6W	5%	RD16TPJ010	J07225010			
R 1309	CHIP RES.	22kohm	1/10W	5%	RMC1/10T 223J	J24205223			
R 1310	CHIP RES.	100kohm	1/10W	5%	RMC1/10T 104J	J24205104			
R 1311	CHIP RES.	150kohm	1/10W	5%	RMC1/10T 154J	J24205154			
R 1312	CHIP RES.	47kohm	1/10W	5%	RMC1/10T 473J	J24205473			
R 1313	CHIP RES.	22kohm	1/10W	5%	RMC1/10T 223J	J24205223			
R 1314	CHIP RES.	150kohm	1/10W	5%	RMC1/10T 154J	J24205154			
R 1315	CHIP RES.	100kohm	1/10W	5%	RMC1/10T 104J	J24205104			
R 1316	CHIP RES.	2.7kohm	1/10W	5%	RMC1/10T 272J	J24205272			
R 1317	CHIP RES.	470ohm	1/10W	5%	RMC1/10T 471J	J24205471			
R 1318	CHIP RES.	100kohm	1/10W	5%	RMC1/10T 104J	J24205104			
R 1319	CHIP RES.	4.7kohm	1/10W	5%	RMC1/10T 472J	J24205472			
R 1320	CHIP RES.	100kohm	1/10W	5%	RMC1/10T 104J	J24205104			
R 1321	CARBON FILM RES.	4.7kohm	1/6W	5%	RD16TPJ472	J07225472			
R 1322	CARBON FILM RES.	4.7kohm	1/6W	5%	RD16TPJ472	J07225472			
R 1323	CHIP RES.	150kohm	1/10W	5%	RMC1/10T 154J	J24205154			
R 1324	CARBON FILM RES.	6.8kohm	1/6W	5%	RD16TPJ682	J07225682			
R 1325	CHIP RES.	4.7kohm	1/10W	5%	RMC1/10T 472J	J24205472			
R 1326	CHIP RES.	100kohm	1/10W	5%	RMC1/10T 104J	J24205104			
R 1327	CHIP RES.	33kohm	1/10W	5%	RMC1/10T 333J	J24205333			
R 1328	CHIP RES.	1kohm	1/10W	5%	RMC1/10T 102J	J24205102			
R 1329	CHIP RES.	100kohm	1/10W	5%	RMC1/10T 104J	J24205104			
R 1330	CHIP RES.	150kohm	1/10W	5%	RMC1/10T 154J	J24205154			
R 1331	CHIP RES.	10kohm	1/10W	5%	RMC1/10T 103J	J24205103			
R 1332	CHIP RES.	47kohm	1/10W	5%	RMC1/10T 473J	J24205473			
R 1333	CHIP RES.	1Mohm	1/10W	5%	RMC1/10T 105J	J24205105			
R 1334	CHIP RES.	10kohm	1/10W	5%	RMC1/10T 103J	J24205103			
R 1335	CHIP RES.	27kohm	1/10W	5%	RMC1/10T 273J	J24205273			
R 1336	CHIP RES.	10kohm	1/10W	5%	RMC1/10T 103J	J24205103			
R 1337	CHIP RES.	27kohm	1/10W	5%	RMC1/10T 273J	J24205273			
R 1338	CHIP RES.	27kohm	1/10W	5%	RMC1/10T 273J	J24205273			
R 1339	CHIP RES.	150kohm	1/10W	5%	RMC1/10T 154J	J24205154			
R 1340	CHIP RES.	150kohm	1/10W	5%	RMC1/10T 154J	J24205154			
R 1341	CHIP RES.	0ohm	1/10W	5%	RMC1/10T 000J	J24205000			
R 1342	CHIP RES.	100kohm	1/10W	5%	RMC1/10T 104J	J24205104			
R 1343	CHIP RES.	47kohm	1/10W	5%	RMC1/10T 473J	J24205473			
R 1344	CHIP RES.	27kohm	1/10W	5%	RMC1/10T 273J	J24205273			
R 1345	CHIP RES.	27kohm	1/10W	5%	RMC1/10T 273J	J24205273			
R 1346	CHIP RES.	27kohm	1/10W	5%	RMC1/10T 273J	J24205273			
R 1347	CHIP RES.	27kohm	1/10W	5%	RMC1/10T 273J	J24205273			
R 1348	CHIP RES.	27kohm	1/10W	5%	RMC1/10T 273J	J24205273			
R 1349	CHIP RES.	10kohm	1/10W	5%	RMC1/10T 103J	J24205103			
R 1350	CHIP RES.	3.3kohm	1/10W	5%	RMC1/10T 332J	J24205332			

REF.	DESCRIPTION	VALUE	WV	TOL.	MFGR'S DESIG	YAESU P/N	VERS.	LOT.	LAY ADR
R 1351	CHIP RES.	100kohm	1/10W	5%	RMC1/10T 104J	J24205104			
R 1352	CHIP RES.	22kohm	1/10W	5%	RMC1/10T 223J	J24205223			
R 1353	CHIP RES.	22kohm	1/10W	5%	RMC1/10T 223J	J24205223			
R 1354	CHIP RES.	220ohm	1/10W	5%	RMC1/10T 221J	J24205221			
R 1355	CHIP RES.	220ohm	1/10W	5%	RMC1/10T 221J	J24205221			
R 1356	CHIP RES.	680ohm	1/10W	5%	RMC1/10T 681J	J24205681			
R 1357	CHIP RES.	100ohm	1/10W	5%	RMC1/10T 101J	J24205101			
R 1358	CHIP RES.	3.3kohm	1/10W	5%	RMC1/10T 332J	J24205332			
R 1360	CHIP RES.	100kohm	1/10W	5%	RMC1/10T 104J	J24205104			
R 1361	CHIP RES.	47kohm	1/10W	5%	RMC1/10T 473J	J24205473			
R 1362	CHIP RES.	3.3kohm	1/10W	5%	RMC1/10T 332J	J24205332			
R 1363	CARBON FILM RES.	100ohm	1/6W	5%	RD16TPJ101	J07225101			
R 1364	CHIP RES.	2.2kohm	1/10W	5%	RMC1/10T 222J	J24205222			
R 1365	CARBON FILM RES.	4.7kohm	1/6W	5%	RD16TPJ472	J07225472			
R 1366	CHIP RES.	4.7kohm	1/10W	5%	RMC1/10T 472J	J24205472			
R 1367	CARBON FILM RES.	470ohm	1/6W	5%	RD16TPJ471	J07225471			
R 1368	CHIP RES.	10kohm	1/10W	5%	RMC1/10T 103J	J24205103			
R 1369	CHIP RES.	10kohm	1/10W	5%	RMC1/10T 103J	J24205103			
R 1370	CHIP RES.	10kohm	1/10W	5%	RMC1/10T 103J	J24205103			
R 1371	CHIP RES.	10kohm	1/10W	5%	RMC1/10T 103J	J24205103			
R 1372	CHIP RES.	10kohm	1/10W	5%	RMC1/10T 103J	J24205103			
R 1374	CARBON FILM RES.	150ohm	1/6W	5%	RD16TPJ151	J07225151			
R 1375	CHIP RES.	47ohm	1/10W	5%	RMC1/10T 470J	J24205470			
R 1376	CHIP RES.	22kohm	1/10W	5%	RMC1/10T 223J	J24205223			
R 1377	CHIP RES.	22ohm	1/10W	5%	RMC1/10T 220J	J24205220			
R 1378	CHIP RES.	470ohm	1/10W	5%	RMC1/10T 471J	J24205471			
R 1380	CHIP RES.	10kohm	1/10W	5%	RMC1/10T 103J	J24205103			
R 1381	CHIP RES.	1kohm	1/10W	5%	RMC1/10T 102J	J24205102			
R 1382	CHIP RES.	10kohm	1/10W	5%	RMC1/10T 103J	J24205103			
R 1383	CHIP RES.	10kohm	1/10W	5%	RMC1/10T 103J	J24205103			
R 1384	CHIP RES.	0ohm	1/10W	5%	RMC1/10T 000J	J24205000			
R 1385	CHIP RES.	0ohm	1/10W	5%	RMC1/10T 000J	J24205000			
R 1386	CHIP RES.	1.8kohm	1/10W	5%	RMC1/10T 182J	J24205182			
R 1387	CHIP RES.	0ohm	1/10W	5%	RMC1/10T 000J	J24205000			
R 1389	CARBON FILM RES.	100kohm	1/6W	5%	RD16TPJ104	J07225104			
R 1390	CARBON FILM RES.	4.7kohm	1/6W	5%	RD16TPJ472	J07225472			
R 1391	CARBON FILM RES.	150ohm	1/6W	5%	RD16TPJ151	J07225151			
R 1392	CARBON FILM RES.	1kohm	1/6W	5%	RD16TPJ102	J07225102			
R 1394	CHIP RES.	3.3kohm	1/10W	5%	RMC1/10T 332J	J24205332			
R 1395	CARBON FILM RES.	10ohm	1/6W	5%	RD16TPJ100	J07225100			
R 1396	CARBON FILM RES.	10ohm	1/6W	5%	RD16TPJ100	J07225100			
R 2001	CHIP RES.	220ohm	1/10W	5%	RMC1/10T 221J	J24205221			
R 2002	CHIP RES.	100kohm	1/10W	5%	RMC1/10T 104J	J24205104			
R 2003	CHIP RES.	150ohm	1/10W	5%	RMC1/10T 151J	J24205151			
R 2004	CHIP RES.	3.3kohm	1/10W	5%	RMC1/10T 332J	J24205332			
R 2005	CHIP RES.	220ohm	1/10W	5%	RMC1/10T 221J	J24205221			
R 2006	CHIP RES.	100kohm	1/10W	5%	RMC1/10T 104J	J24205104			
R 2007	CHIP RES.	150ohm	1/10W	5%	RMC1/10T 151J	J24205151			
R 2008	CHIP RES.	3.3kohm	1/10W	5%	RMC1/10T 332J	J24205332			
R 2009	CHIP RES.	220ohm	1/10W	5%	RMC1/10T 221J	J24205221			
R 2010	CHIP RES.	100kohm	1/10W	5%	RMC1/10T 104J	J24205104			
R 2011	CHIP RES.	150ohm	1/10W	5%	RMC1/10T 151J	J24205151			
R 2012	CHIP RES.	3.3kohm	1/10W	5%	RMC1/10T 332J	J24205332			
R 2013	CHIP RES.	220ohm	1/10W	5%	RMC1/10T 221J	J24205221			
R 2014	CHIP RES.	100kohm	1/10W	5%	RMC1/10T 104J	J24205104			
R 2015	CHIP RES.	150ohm	1/10W	5%	RMC1/10T 151J	J24205151			
R 2016	CHIP RES.	3.3kohm	1/10W	5%	RMC1/10T 332J	J24205332			
R 2017	CHIP RES.	220ohm	1/10W	5%	RMC1/10T 221J	J24205221			
R 2018	CHIP RES.	100kohm	1/10W	5%	RMC1/10T 104J	J24205104			
R 2019	CHIP RES.	150ohm	1/10W	5%	RMC1/10T 151J	J24205151			

MAIN Unit

REF.	DESCRIPTION	VALUE	WV	TOL.	MFGR'S DESIG	YAESU P/N	VERS.	LOT.	LAY ADR
R 2020	CHIP RES.	3.3kohm	1/10W	5%	RMC1/10T 332J	J24205332			
R 2021	CHIP RES.	100ohm	1/10W	5%	RMC1/10T 101J	J24205101			
R 2022	CHIP RES.	4.7kohm	1/10W	5%	RMC1/10T 472J	J24205472			
R 2023	CHIP RES.	100ohm	1/10W	5%	RMC1/10T 101J	J24205101			
R 2024	CHIP RES.	470ohm	1/10W	5%	RMC1/10T 471J	J24205471			
R 2025	CHIP RES.	100kohm	1/10W	5%	RMC1/10T 104J	J24205104			
R 2026	CHIP RES.	47ohm	1/10W	5%	RMC1/10T 470J	J24205470			
R 2027	CHIP RES.	100ohm	1/10W	5%	RMC1/10T 101J	J24205101			
R 2028	CHIP RES.	22ohm	1/10W	5%	RMC1/10T 220J	J24205220			
R 2029	CHIP RES.	100kohm	1/10W	5%	RMC1/10T 104J	J24205104			
R 2030	CHIP RES.	100ohm	1/10W	5%	RMC1/10T 101J	J24205101			
R 2031	CHIP RES.	470ohm	1/10W	5%	RMC1/10T 471J	J24205471			
R 2032	CARBON FILM RES.	390ohm	1/6W	5%	RD16TPJ391	J07225391			
R 2033	CHIP RES.	330ohm	1/10W	5%	RMC1/10T 331J	J24205331			
R 2034	CHIP RES.	470ohm	1/10W	5%	RMC1/10T 471J	J24205471			
R 2035	CHIP RES.	100ohm	1/10W	5%	RMC1/10T 101J	J24205101			
R 2036	CHIP RES.	10kohm	1/10W	5%	RMC1/10T 103J	J24205103			
R 2037	CHIP RES.	33kohm	1/10W	5%	RMC1/10T 333J	J24205333			
R 2038	CHIP RES.	100ohm	1/10W	5%	RMC1/10T 101J	J24205101			
R 2039	CHIP RES.	1kohm	1/10W	5%	RMC1/10T 102J	J24205102			
R 2040	CHIP RES.	220ohm	1/10W	5%	RMC1/10T 221J	J24205221			
R 2041	CHIP RES.	100ohm	1/10W	5%	RMC1/10T 101J	J24205101			
R 2042	CHIP RES.	100kohm	1/10W	5%	RMC1/10T 104J	J24205104			
R 2043	CHIP RES.	470ohm	1/10W	5%	RMC1/10T 471J	J24205471			
R 2044	CARBON FILM RES.	220ohm	1/6W	5%	RD16TPJ221	J07225221			
R 2045	CARBON FILM RES.	220ohm	1/6W	5%	RD16TPJ221	J07225221			
R 2046	CARBON FILM RES.	220ohm	1/6W	5%	RD16TPJ221	J07225221			
R 2047	CHIP RES.	100kohm	1/10W	5%	RMC1/10T 104J	J24205104			
R 2048	CHIP RES.	10kohm	1/10W	5%	RMC1/10T 103J	J24205103			
R 2049	CHIP RES.	6.8kohm	1/10W	5%	RMC1/10T 682J	J24205682			
R 2050	CHIP RES.	0ohm	1/10W	5%	RMC1/10T 000J	J24205000			
R 2051	CHIP RES.	820ohm	1/10W	5%	RMC1/10T 821J	J24205821			
R 2052	CARBON FILM RES.	100ohm	1/6W	5%	RD16TPJ101	J07225101			
R 2053	CHIP RES.	1.5kohm	1/10W	5%	RMC1/10T 152J	J24205152			
R 2054	CHIP RES.	2.2kohm	1/10W	5%	RMC1/10T 222J	J24205222			
R 2055	CHIP RES.	100kohm	1/10W	5%	RMC1/10T 104J	J24205104			
R 2056	CHIP RES.	470ohm	1/10W	5%	RMC1/10T 471J	J24205471			
R 2057	CHIP RES.	100ohm	1/10W	5%	RMC1/10T 101J	J24205101			
R 2058	CHIP RES.	220ohm	1/10W	5%	RMC1/10T 221J	J24205221			
R 2059	CHIP RES.	1kohm	1/10W	5%	RMC1/10T 102J	J24205102			
R 2060	CHIP RES.	100ohm	1/10W	5%	RMC1/10T 101J	J24205101			
R 2062	CHIP RES.	1kohm	1/10W	5%	RMC1/10T 102J	J24205102			
R 2063	CHIP RES.	100ohm	1/10W	5%	RMC1/10T 101J	J24205101			
R 2065	CHIP RES.	100ohm	1/10W	5%	RMC1/10T 101J	J24205101			
R 2066	CHIP RES.	390ohm	1/10W	5%	RMC1/10T 391J	J24205391			
R 2067	CHIP RES.	1.5kohm	1/10W	5%	RMC1/10T 152J	J24205152			
R 2068	CHIP RES.	33kohm	1/10W	5%	RMC1/10T 333J	J24205333			
R 2069	CHIP RES.	10kohm	1/10W	5%	RMC1/10T 103J	J24205103			
R 2070	CHIP RES.	47ohm	1/10W	5%	RMC1/10T 470J	J24205470			
R 2071	CHIP RES.	100ohm	1/10W	5%	RMC1/10T 101J	J24205101			
R 2072	CHIP RES.	470ohm	1/10W	5%	RMC1/10T 471J	J24205471			
R 2073	CHIP RES.	1kohm	1/10W	5%	RMC1/10T 102J	J24205102			
R 2074	CHIP RES.	100ohm	1/10W	5%	RMC1/10T 101J	J24205101			
R 2075	CHIP RES.	390ohm	1/10W	5%	RMC1/10T 391J	J24205391			
R 2076	CHIP RES.	1.5kohm	1/10W	5%	RMC1/10T 152J	J24205152			
R 2077	CHIP RES.	10kohm	1/10W	5%	RMC1/10T 103J	J24205103			
R 2078	CHIP RES.	33kohm	1/10W	5%	RMC1/10T 333J	J24205333			
R 2079	CHIP RES.	47ohm	1/10W	5%	RMC1/10T 470J	J24205470			
R 2080	CHIP RES.	470ohm	1/10W	5%	RMC1/10T 471J	J24205471			
R 2081	CHIP RES.	100ohm	1/10W	5%	RMC1/10T 101J	J24205101			

REF.	DESCRIPTION	VALUE	WV	TOL.	MFGR'S DESIG	YAESU P/N	VERS.	LOT.	LAY ADR
R 2082	CHIP RES.	1kohm	1/10W	5%	RMC1/10T 102J	J24205102			
R 2083	CHIP RES.	47kohm	1/10W	5%	RMC1/10T 473J	J24205473			
R 2084	CHIP RES.	220ohm	1/10W	5%	RMC1/10T 221J	J24205221			
R 2085	CHIP RES.	100ohm	1/10W	5%	RMC1/10T 101J	J24205101			
R 2086	CHIP RES.	47ohm	1/10W	5%	RMC1/10T 470J	J24205470			
R 2087	CHIP RES.	100kohm	1/10W	5%	RMC1/10T 104J	J24205104			
R 2088	CHIP RES.	100ohm	1/10W	5%	RMC1/10T 101J	J24205101			
R 2089	CHIP RES.	470ohm	1/10W	5%	RMC1/10T 471J	J24205471			
R 2090	CHIP RES.	33kohm	1/10W	5%	RMC1/10T 333J	J24205333			
R 2091	CHIP RES.	10kohm	1/10W	5%	RMC1/10T 103J	J24205103			
R 2092	CHIP RES.	47ohm	1/10W	5%	RMC1/10T 470J	J24205470			
R 2093	CHIP RES.	470ohm	1/10W	5%	RMC1/10T 471J	J24205471			
R 2094	CHIP RES.	100ohm	1/10W	5%	RMC1/10T 101J	J24205101			
R 2095	CHIP RES.	68kohm	1/10W	5%	RMC1/10T 683J	J24205683			
R 2096	CHIP RES.	1kohm	1/10W	5%	RMC1/10T 102J	J24205102			
R 2097	CHIP RES.	220ohm	1/10W	5%	RMC1/10T 221J	J24205221			
R 2098	CHIP RES.	220ohm	1/10W	5%	RMC1/10T 221J	J24205221			
R 2099	CHIP RES.	220ohm	1/10W	5%	RMC1/10T 221J	J24205221			
R 2100	CHIP RES.	100kohm	1/10W	5%	RMC1/10T 104J	J24205104			
R 2101	CHIP RES.	100kohm	1/10W	5%	RMC1/10T 104J	J24205104			
R 2102	CHIP RES.	100ohm	1/10W	5%	RMC1/10T 101J	J24205101			
R 2103	CHIP RES.	10ohm	1/10W	5%	RMC1/10T 100J	J24205100			
R 2104	CHIP RES.	68kohm	1/10W	5%	RMC1/10T 683J	J24205683			
R 2105	CHIP RES.	1kohm	1/10W	5%	RMC1/10T 102J	J24205102			
R 2106	CHIP RES.	220ohm	1/10W	5%	RMC1/10T 221J	J24205221			
R 2107	CHIP RES.	220ohm	1/10W	5%	RMC1/10T 221J	J24205221			
R 2108	CHIP RES.	220ohm	1/10W	5%	RMC1/10T 221J	J24205221			
R 2109	CHIP RES.	100kohm	1/10W	5%	RMC1/10T 104J	J24205104			
R 2110	CHIP RES.	100kohm	1/10W	5%	RMC1/10T 104J	J24205104			
R 2111	CHIP RES.	100ohm	1/10W	5%	RMC1/10T 101J	J24205101			
R 2112	CHIP RES.	470ohm	1/10W	5%	RMC1/10T 471J	J24205471			
R 2113	CHIP RES.	1kohm	1/10W	5%	RMC1/10T 102J	J24205102			
R 2114	CHIP RES.	1kohm	1/10W	5%	RMC1/10T 102J	J24205102			
R 2115	CHIP RES.	10kohm	1/10W	5%	RMC1/10T 103J	J24205103			
R 2116	CHIP RES.	1kohm	1/10W	5%	RMC1/10T 102J	J24205102			
R 2117	CHIP RES.	1kohm	1/10W	5%	RMC1/10T 102J	J24205102			
R 2118	CHIP RES.	4.7kohm	1/10W	5%	RMC1/10T 472J	J24205472			
R 2119	CHIP RES.	2.2kohm	1/10W	5%	RMC1/10T 222J	J24205222			
R 2120	CHIP RES.	47kohm	1/10W	5%	RMC1/10T 473J	J24205473			
R 2127	CHIP RES.	0ohm	1/10W	5%	RMC1/10T 000J	J24205000			
R 2128	CARBON FILM RES.	1kohm	1/6W	5%	RD16TPJ102	J07225102			
R 2501	CHIP RES.	1kohm	1/10W	5%	RMC1/10T 102J	J24205102			
R 2502	CHIP RES.	2.2kohm	1/10W	5%	RMC1/10T 222J	J24205222			
R 2503	CHIP RES.	12kohm	1/10W	5%	RMC1/10T 123J	J24205123			
R 2504	CHIP RES.	1.8kohm	1/10W	5%	RMC1/10T 182J	J24205182			
R 2505	CHIP RES.	47kohm	1/10W	5%	RMC1/10T 473J	J24205473			
R 2506	CHIP RES.	47kohm	1/10W	5%	RMC1/10T 473J	J24205473			
R 2507	CHIP RES.	6.8kohm	1/10W	5%	RMC1/10T 682J	J24205682			
R 2508	CHIP RES.	6.8kohm	1/10W	5%	RMC1/10T 682J	J24205682			
R 2509	CHIP RES.	6.8kohm	1/10W	5%	RMC1/10T 682J	J24205682			
R 2510	CHIP RES.	150kohm	1/10W	5%	RMC1/10T 154J	J24205154			
R 2511	CHIP RES.	47kohm	1/10W	5%	RMC1/10T 473J	J24205473			
R 2512	CHIP RES.	47kohm	1/10W	5%	RMC1/10T 473J	J24205473			
R 2513	CHIP RES.	47kohm	1/10W	5%	RMC1/10T 473J	J24205473			
R 2514	CHIP RES.	47kohm	1/10W	5%	RMC1/10T 473J	J24205473			
R 2516	CHIP RES.	22kohm	1/10W	5%	RMC1/10T 223J	J24205223			
R 2517	CHIP RES.	4.7kohm	1/10W	5%	RMC1/10T 472J	J24205472			
R 2518	CHIP RES.	22kohm	1/10W	5%	RMC1/10T 223J	J24205223			
R 2519	CHIP RES.	4.7kohm	1/10W	5%	RMC1/10T 472J	J24205472			
R 2520	CHIP RES.	22kohm	1/10W	5%	RMC1/10T 223J	J24205223			

MAIN Unit

REF.	DESCRIPTION	VALUE	WV	TOL.	MFGR'S DESIG	YAESU P/N	VERS.	LOT.	LAY ADR
R 2521	CHIP RES.	10kohm	1/10W	5%	RMC1/10T 103J	J24205103			
R 2522	CHIP RES.	0ohm	1/10W	5%	RMC1/10T 000J	J24205000			
R 2523	CHIP RES.	0ohm	1/10W	5%	RMC1/10T 000J	J24205000			
R 2524	CHIP RES.	47kohm	1/10W	5%	RMC1/10T 473J	J24205473			
R 2525	CHIP RES.	47kohm	1/10W	5%	RMC1/10T 473J	J24205473			
R 2526	CHIP RES.	1kohm	1/10W	5%	RMC1/10T 102J	J24205102			
R 2527	CHIP RES.	1kohm	1/10W	5%	RMC1/10T 102J	J24205102			
R 2528	CHIP RES.	47kohm	1/10W	5%	RMC1/10T 473J	J24205473			
R 2529	CHIP RES.	47kohm	1/10W	5%	RMC1/10T 473J	J24205473			
R 2530	CHIP RES.	47kohm	1/10W	5%	RMC1/10T 473J	J24205473			
R 2531	CHIP RES.	100kohm	1/10W	5%	RMC1/10T 104J	J24205104			
R 2532	CHIP RES.	100kohm	1/10W	5%	RMC1/10T 104J	J24205104			
R 2533	CHIP RES.	10kohm	1/10W	5%	RMC1/10T 103J	J24205103			
R 2536	CHIP RES.	10ohm	1/10W	5%	RMC1/10T 100J	J24205100			
R 2537	CHIP RES.	47kohm	1/10W	5%	RMC1/10T 473J	J24205473			
R 2538	CHIP RES.	47kohm	1/10W	5%	RMC1/10T 473J	J24205473			
R 2539	CHIP RES.	47kohm	1/10W	5%	RMC1/10T 473J	J24205473			
R 2540	CHIP RES.	47kohm	1/10W	5%	RMC1/10T 473J	J24205473			
R 2541	CHIP RES.	47kohm	1/10W	5%	RMC1/10T 473J	J24205473			
R 2542	CHIP RES.	47kohm	1/10W	5%	RMC1/10T 473J	J24205473			
R 2543	CHIP RES.	47kohm	1/10W	5%	RMC1/10T 473J	J24205473			
R 2544	CHIP RES.	47kohm	1/10W	5%	RMC1/10T 473J	J24205473			
R 2547	CHIP RES.	47kohm	1/10W	5%	RMC1/10T 473J	J24205473			
R 2548	CHIP RES.	47kohm	1/10W	5%	RMC1/10T 473J	J24205473			
R 2549	CHIP RES.	47kohm	1/10W	5%	RMC1/10T 473J	J24205473			
R 2550	CHIP RES.	1kohm	1/10W	5%	RMC1/10T 102J	J24205102			
R 2551	CHIP RES.	10kohm	1/10W	5%	RMC1/10T 103J	J24205103			
R 2553	CHIP RES.	8.2kohm	1/10W	5%	RMC1/10T 822J	J24205822			
R 2554	CHIP RES.	1.5kohm	1/10W	5%	RMC1/10T 152J	J24205152			
R 2555	CHIP RES.	47ohm	1/10W	5%	RMC1/10T 470J	J24205470			
R 2556	CHIP RES.	22ohm	1/10W	5%	RMC1/10T 220J	J24205220			
R 2557	CHIP RES.	22ohm	1/10W	5%	RMC1/10T 220J	J24205220			
R 2558	CHIP RES.	10kohm	1/10W	5%	RMC1/10T 103J	J24205103			
R 2559	CHIP RES.	0ohm	1/10W	5%	RMC1/10T 000J	J24205000			
R 2561	CHIP RES.	100kohm	1/10W	5%	RMC1/10T 104J	J24205104			
R 2562	CHIP RES.	100kohm	1/10W	5%	RMC1/10T 104J	J24205104			
R 2563	CHIP RES.	100kohm	1/10W	5%	RMC1/10T 104J	J24205104			
R 2564	CHIP RES.	100kohm	1/10W	5%	RMC1/10T 104J	J24205104			
R 2565	CHIP RES.	100kohm	1/10W	5%	RMC1/10T 104J	J24205104			
R 2566	CHIP RES.	100kohm	1/10W	5%	RMC1/10T 104J	J24205104			
R 2567	CHIP RES.	100kohm	1/10W	5%	RMC1/10T 104J	J24205104			
R 2568	CHIP RES.	100kohm	1/10W	5%	RMC1/10T 104J	J24205104			
R 2569	CHIP RES.	4.7kohm	1/10W	5%	RMC1/10T 472J	J24205472			
R 2570	CHIP RES.	10kohm	1/10W	5%	RMC1/10T 103J	J24205103			
R 2571	CHIP RES.	0ohm	1/10W	5%	RMC1/10T 000J	J24205000			
R 2573	CHIP RES.	0ohm	1/10W	5%	RMC1/10T 000J	J24205000			
R 2575	CHIP RES.	0ohm	1/10W	5%	RMC1/10T 000J	J24205000			
R 2576	CHIP RES.	1kohm	1/10W	5%	RMC1/10T 102J	J24205102			
R 2577	CHIP RES.	1kohm	1/10W	5%	RMC1/10T 102J	J24205102			
R 2578	CHIP RES.	1kohm	1/10W	5%	RMC1/10T 102J	J24205102			
R 2579	CHIP RES.	1kohm	1/10W	5%	RMC1/10T 102J	J24205102			
R 2580	CHIP RES.	1kohm	1/10W	5%	RMC1/10T 102J	J24205102			
R 2581	CHIP RES.	0ohm	1/10W	5%	RMC1/10T 000J	J24205000			
R 2583	CARBON FILM RES.	470ohm	1/6W	5%	RD16TPJ471	J07225471			
R 2584	CARBON FILM RES.	10kohm	1/6W	5%	RD16TPJ103	J07225103			
R 2586	CHIP RES.	10kohm	1/16W	5%	RMC1/16 103JATP	J24185103			
R 2587	CARBON FILM RES.	33kohm	1/6W	5%	RD16TPJ333	J07225333			
R 2588	CARBON FILM RES.	10kohm	1/6W	5%	RD16TPJ103	J07225103			
R 2589	CARBON FILM RES.	15kohm	1/6W	5%	RD16PJ153 15K	J01225153			
RB2001	BLOCK RES.				RRP16B-10Z-10K/20K	J40900181			

REF.	DESCRIPTION	VALUE	WV	TOL.	MFGR'S DESIG	YAESU P/N	VERS.	LOT.	LAY ADR
RB2002	BLOCK RES.				RRP16B-10Z-10K/20K	J40900181			
RL1001	RELAY		DC12V		AG8023 DC12V	M1190086			
RL1003	RELAY		DC12V		AG4013 DC12V	M1190090			
RL1004	RELAY		DC12V		AG4013 DC12V	M1190090			
RL2001	RELAY		DC12V		G5V-1 DC12V	M1190120			
S 1001	SLIDE SWITCH				SSJ-012M R66-3224	N6090061			
S 2001	SLIDE SWITCH				SSJ-012M R66-3224	N6090061			
S 2002	SLIDE SWITCH				SSSS22	N6090057			
S 2501	SLIDE SWITCH				SSSS912N-2A-OR	N6090094			
T 1001	COIL 07WIDE				4-1 2001F FR6	L0021351			
T 1002	COIL 07RF	7.25MHz			7.25M	L0021315			
T 1003	COIL 07RF	7.25MHz			7.25M	L0021315			
T 1004	COIL 07RF	14.25MHz			14.25M	L0021317			
T 1005	COIL 07RF	14.25MHz			14.25M	L0021317			
T 1006	COIL 07RF	21.4MHz			21.4M	L0022452			
T 1007	COIL 07RF	21.4MHz			21.4M	L0022452			
T 1008	COIL 07RF	54.5MHz			54.5M R12-M420A	L0021760			
T 1009	COIL 07RF	54.5MHz			54.5M R12-M420A	L0021760			
T 1010	COIL 07WIDE				2001F	L0021973			
T 1011	COIL 07WIDE				2289-JPS-014	L0022351			
T 1012	COIL 07WIDE				4-1 2001F FR6	L0021351			
T 1013	COIL 07RF	70.455MHz			70.455M R-P012A	L0022273			
T 1014	COIL 07RF	70.455MHz			70.455M R-P013A	L0022274			
T 1015	COIL 07RF	70.455MHz			70.455M R-P013A	L0022274			
T 1016	COIL 07RF	70.455MHz			70.455M R-P013A	L0022274			
T 1017	COIL 07RF	69MHz			69.0M S-7G	L0021249			
T 1018	COIL 07RF	8.21MHz			8.21M R12-6367A	L0021395			
T 1019	COIL 07RF	8.2MHz			8.20M R12-4043A	L0021199			
T 1020	COIL 07RF	8.2MHz			8.20M R12-4043A	L0021199			
T 1021	COIL 07WIDE				4-1 2D3 TR6X3	L0020788A			
T 1022	COIL 07WIDE				4-1 2D3 TR6X3	L0020788A			
T 1023	COIL 07RF	61.44MHz			61.44M R12-M416A	L0021932			
T 1024	COIL 07RF	8.2MHz			8.20M R12-4043A	L0021199			
T 1025	COIL 07RF	8.2MHz			8.20M R12-4043A	L0021199			
T 1026	COIL 07RF	8.2MHz			8.20M R12-4043A	L0021199			
T 1027	COIL 07RF	8.2MHz			8.20M R12-4043A	L0021199			
T 1028	COIL 07RF	8.2MHz			8.20M R12-4043A	L0021199			
T 1029	COIL 07RF	8.21MHz			8.21M R12-6367A	L0021395			
T 1030	COIL 07RF	70.455MHz			70.455M R-P012A	L0022273			
T 1031	COIL 07RF	70.455MHz			70.455M R-P012A	L0022273			
T 1032	COIL 07RF	70.455MHz			70.455M R-P012A	L0022273			
T 1033	COIL 07RF	70.455MHz			70.455M R-P012A	L0022273			
T 1034	COIL 07WIDE				4-1 2D3 TR6X3	L0020788A			
T 1035	COIL 07WIDE				4-1 2D3 TR6X3	L0020788A			
T 1036	COIL 07WIDE				9-1 2D3 TR6X3	L0020789A			
T 1038	COIL 07RF	8.2MHz			8.20M R12-4043A	L0021199			
T 1039	COIL 07RF	8.2MHz			8.20M R12-4043A	L0021199			
T 1040	COIL 07RF	8.2MHz			8.20M R12-4043A	L0021199			
T 1041	COIL 07RF	8.2MHz			8.20M R12-4043A	L0021199			
T 1042	COIL 07RF	8.2MHz			8.20M R12-4043A	L0021199			
T 1043	COIL 07RF	8.2MHz			8.20M R12-G620A	L0021192			
T 1044	COIL 07WIDE				2289-JPS-014	L0022351			
T 2001	COIL 07RF	34.4MHz			34.4M R12-K280A	L0022028			
T 2002	COIL 07RF	34.4MHz			34.4M R12-K280A	L0022028			
T 2003	COIL 07RF	90MHz			90.0M R12-S602A	L0020803			
T 2004	COIL 07RF	90MHz			90.0M R12-S602A	L0020803			
T 2005	COIL 07RF	90MHz			90.0M R12-S602A	L0020803			
T 2006	COIL 07RF	58.1MHz			58.1M R12-S603A	L0021727			
T 2007	COIL 07RF	58.1MHz			58.1M R12-S603A	L0021727			
T 2008	COIL 07RF	58.1MHz			58.1M R12-S603A	L0021727			

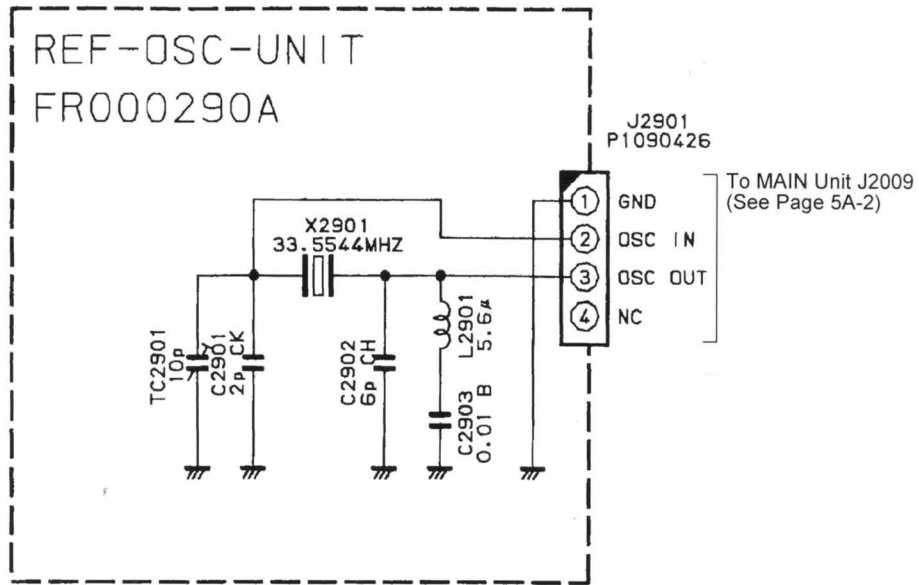
MAIN Unit

REF.	DESCRIPTION	VALUE	WV	TOL.	MFGR'S DESIG	YAESU P/N	VERS.	LOT.	LAY ADR
T 2009	COIL 07RF	61.44MHz			61.44M R12-M416A	L0021932			
T 2010	COIL 07RF	61.44MHz			61.44M R12-M416A	L0021932			
TC1001	TRIMMER CAP.	20pF			ECR-JA020E12X	K91000151			
TC1002	TRIMMER CAP.	20pF			ECR-JA020E12X	K91000151			
TC2001	TRIMMER CAP.	6pF			ECR-JA006A12X	K91000150			
TC2002	TRIMMER CAP.	6pF			ECR-JA006A12X	K91000150			
TC2003	TRIMMER CAP.	6pF			ECR-JA006A12X	K91000150			
TC2004	TRIMMER CAP.	6pF			ECR-JA006A12X	K91000150			
TC2005	TRIMMER CAP.	6pF			ECR-JA006A12X	K91000150			
TH1001	THERMISTOR				157-252-53006TP	G9090053			
TH1003	THERMISTOR				157-103-53007-TP	G9090104			
TH1004	THERMISTOR				157-502-53002TP	G9090049			
TH1005	THERMISTOR				157-252-53006TP	G9090053			
TP1001	TERMINAL				TP-K IPS-1136	Q5000050			
TP1002	TERMINAL				TP-K IPS-1136	Q5000050			
TP1003	TERMINAL				TP-K IPS-1136	Q5000050			
TP1004	TERMINAL				TP-K IPS-1136	Q5000050			
TP1005	TERMINAL				TP-K IPS-1136	Q5000050			
TP1006	TERMINAL				TP-K IPS-1136	Q5000050			
TP1007	TERMINAL				TP-K IPS-1136	Q5000050			
TP1008	TERMINAL				TP-K IPS-1136	Q5000050			
TP2001	TERMINAL				TP-K IPS-1136	Q5000050			
TP2002	TERMINAL				TP-K IPS-1136	Q5000050			
TP2003	TERMINAL				TP-K IPS-1136	Q5000050			
TP2004	TERMINAL				TP-K IPS-1136	Q5000050			
TP2005	TERMINAL				TP-K IPS-1136	Q5000050			
VR1001	POT.	4.7kohm			RH0638CS3R 4.7KB	J51808472			
VR1002	POT.	4.7kohm			RH0638CS3R 4.7KB	J51808472			
VR1003	POT.	10kohm			RH0638C14R 10KB	J51808103			
VR1004	POT.	10kohm			RH0638C14R 10KB	J51808103			
VR1005	POT.	2.2kohm			RH0638CJ3R 2.2KB	J51808222			
VR1006	POT.	4.7kohm			RH0638CS3R 4.7KB	J51808472			
VR1007	POT.	10kohm			RH0638C14R 10KB	J51808103			
VR1008	POT.	1kohm			RH0638C13R 1KB	J51808102			
VR1009	POT.	10kohm			RH0638C14R 10KB	J51808103			
VR1010	POT.	100kohm			RH0638C15R 100KB	J51808104			
VR1011	POT.	470kohm			RH063MCS5R 470KB	J51794474			
VR1012	POT.	10kohm			RH0638C14R 10KB	J51808103			
VR1013	POT.	47kohm			RH0638CS4R 47KB	J51808473			
VR1014	POT.	22kohm			RH0638CJ4R 22KB	J51808223			
VR1015	POT.	10kohm			RH0638C14R 10KB	J51808103			
VR1016	POT.	10kohm			RH0638C14R 10KB	J51808103			
VR1017	POT.	10kohm			RH0638C14R 10KB	J51808103			
VR1018	POT.	10kohm			RH0638C14R 10KB	J51808103			
VR1019	POT.	10kohm			RH0638C14R 10KB	J51808103			
VR1021	POT.	10kohm			RH0638C14R 10KB	J51808103			
VR1022	POT.	10kohm			RH0638C14R 10KB	J51808103			
VR1024	POT.	10kohm			RH0638C14R 10KB	J51808103			
VR2002	POT.	470ohm			RH0638CS2R 470B	J51808471			
VR2501	POT.	10kohm			RH0638C14R 10KB	J51808103			
X 2001	XTAL HC-49/U	60.77MHz			60.77MHZ	H0103158			
XF1001	XTAL FILTER				68R15BU	H1102296			
XF1002	XTAL FILTER				68R15BU	H1102296			
XF1003	XTAL FILTER				XF-8.2M-242-02	H1102128			
Z 1001	HEATSINK PLATE					R0137420			
Z 1002	HOLDER					R0134490			
Z 1003	FIBER WASHER				W3X8X0.5FIBER	U75703650			
Z 1004	SHIELD PLATE					R0131690			
Z 2001	TERMINAL				OT-007	S5000180			
Z 2002	SHIELD CASE					R0131630			

REF.	DESCRIPTION	VALUE	WV	TOL.	MFGR'S DESIG	YAESU P/N	VERS.	LOT.	LAY ADR
Z 2003	SHIELD CASE					R0131650			
Z 2004	SHIELD PLATE					R0150080			
Z 2005	SHIELD CASE					R0131630			
Z 2006	SHIELD CASE COVER					R0131640			
Z 2007	SHIELD CASE COVER					R0131640			
Z 2008	SHIELD CASE COVER					R0131662			
Z 2009	SHIELD PLATE					R0133930			
Z 2010	SHIELD SHEET					RA0035900			

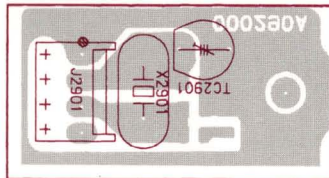
**Downloaded by
RadioAmateur.EU**

Circuit Diagram

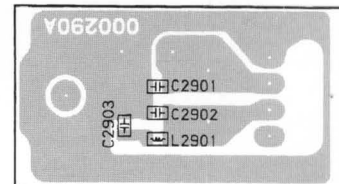


Parts Layout

To MAIN Unit J2009
(See Page 5A-3)



Component Side

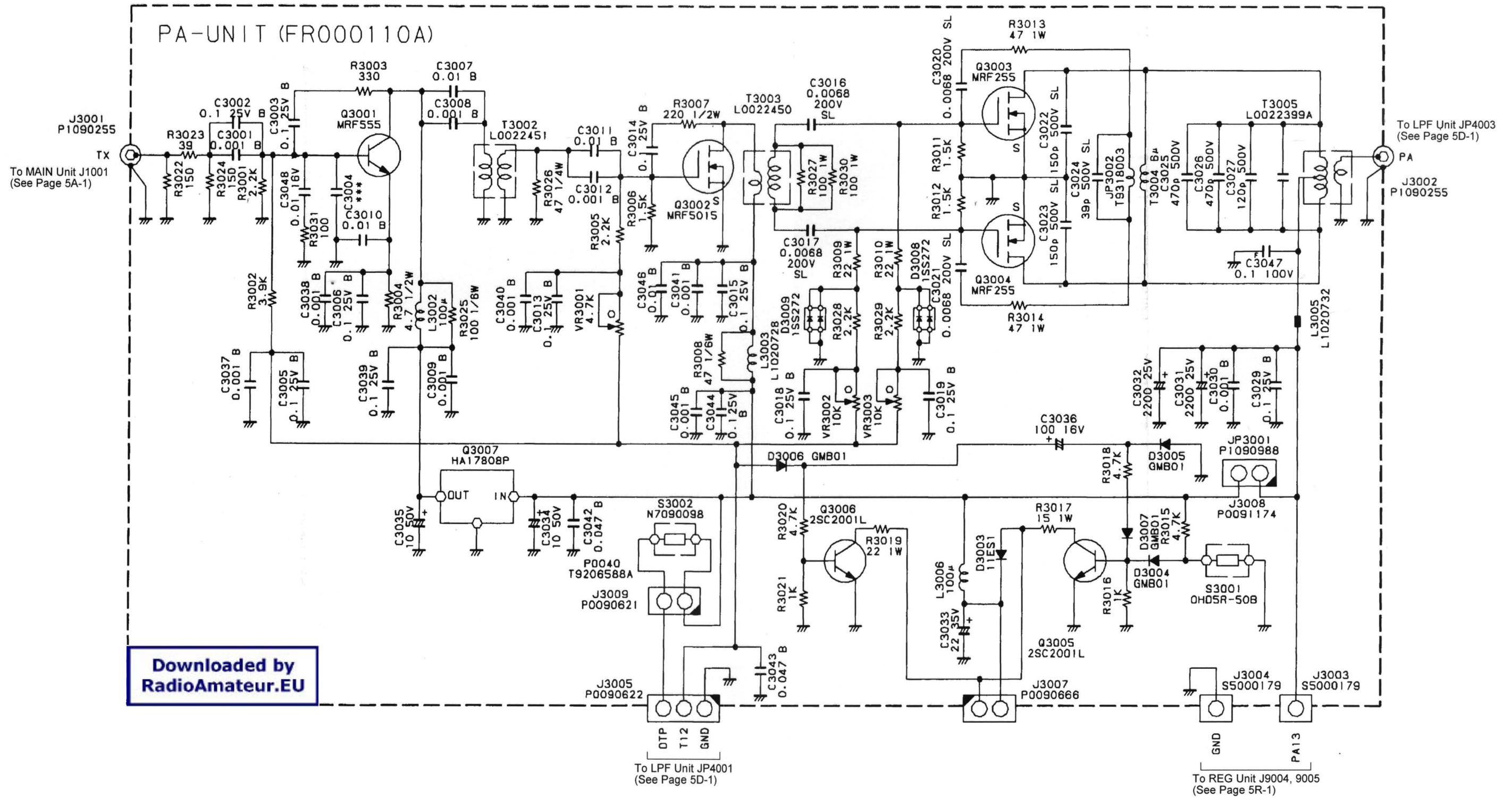


Solder Side

Parts List

REF.	DESCRIPTION	VALUE	WV	TOL.	MFGR'S DESIG	YAESU P/N	VERS.	LOT.	LAY	ADR
*** REF-OSC UNIT ***										
PCB with Components						CB0050001				
Printed Circuit Board						FR000290A				
C 2901	CHIP CAP.	2pF	50V	CK	GRM40CK020C50PT	K22170203				
C 2902	CHIP CAP.	6pF	50V	CH	GRM40CH060D50PT	K22170207				
C 2903	CHIP CAP.	0.01uF	50V	B	GRM40B103M50PT	K22170817				
J 2901	CONNECTOR				5124-04BHPB	P1090426				
L 2901	M.RFC	5.6uH			LK2125 5R6K-T	L1690328				
TC2901	TRIMMER CAP.	10pF			VCT51C122 10PF	K91000085				
X 2901	XTAL HC-49/U	33.5544MHz			33.5544MHZ	H0103157				

Circuit Diagram



Downloaded by RadioAmateur.EU

Parts Layout

J3003
To REG Unit J9004
(See Page 5R-3)

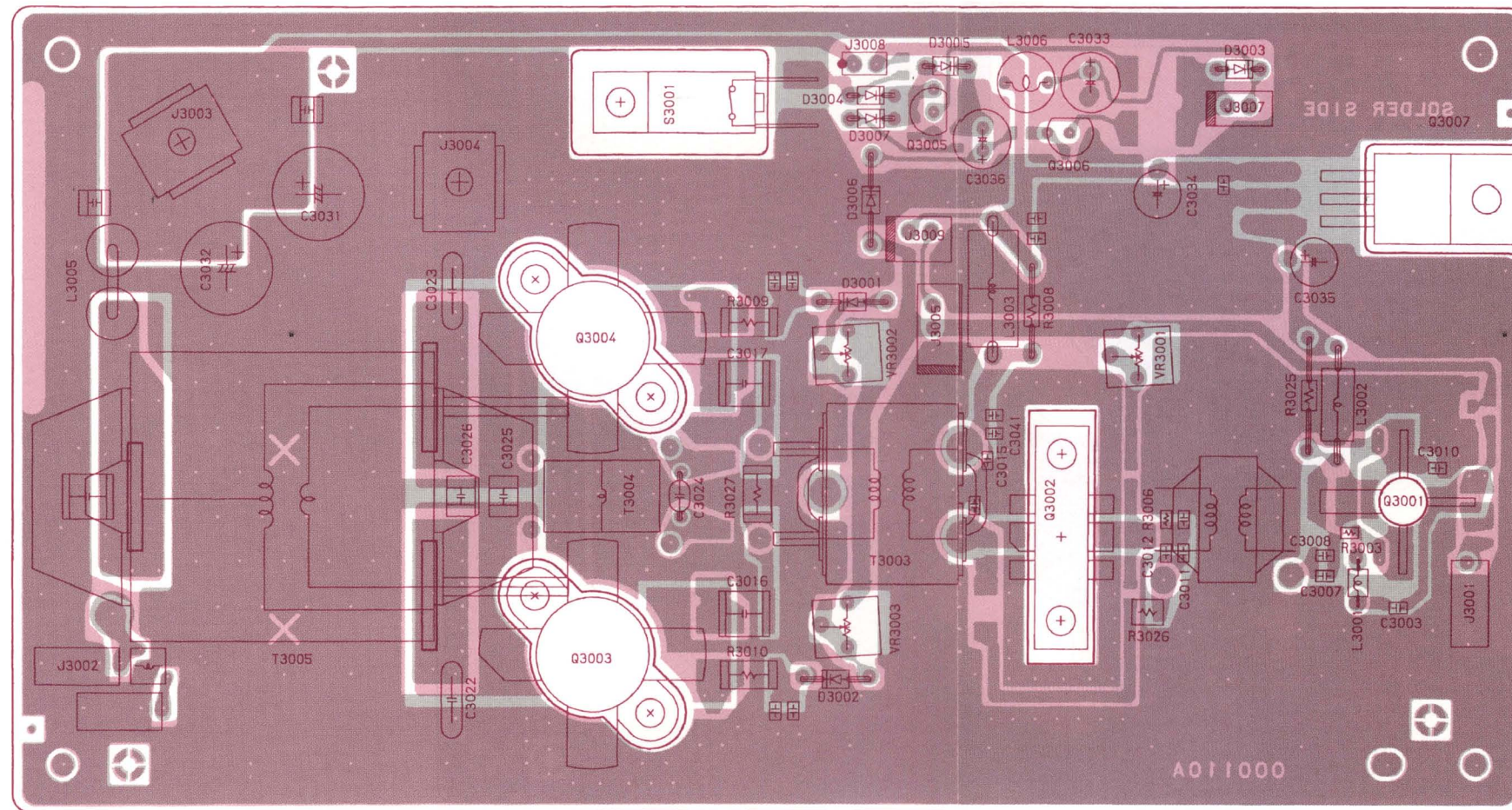
PA13

J3004
To REG Unit J9005
(See Page 5R-3)

GND

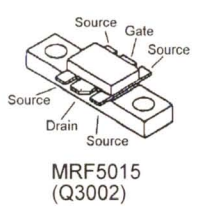
J3002
To LPF Unit JP4003
(See Page 5D-3)

PA



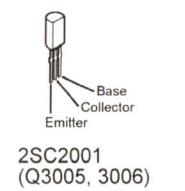
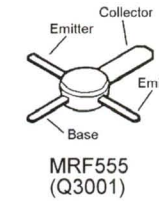
J3008
To FAN

GND
FAN



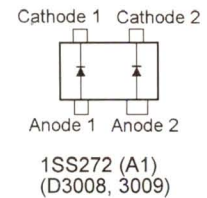
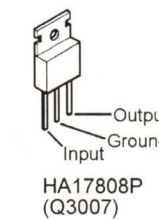
J3005
To LPF Unit J4001
(See Page 5D-3)

OTP
T12
GND

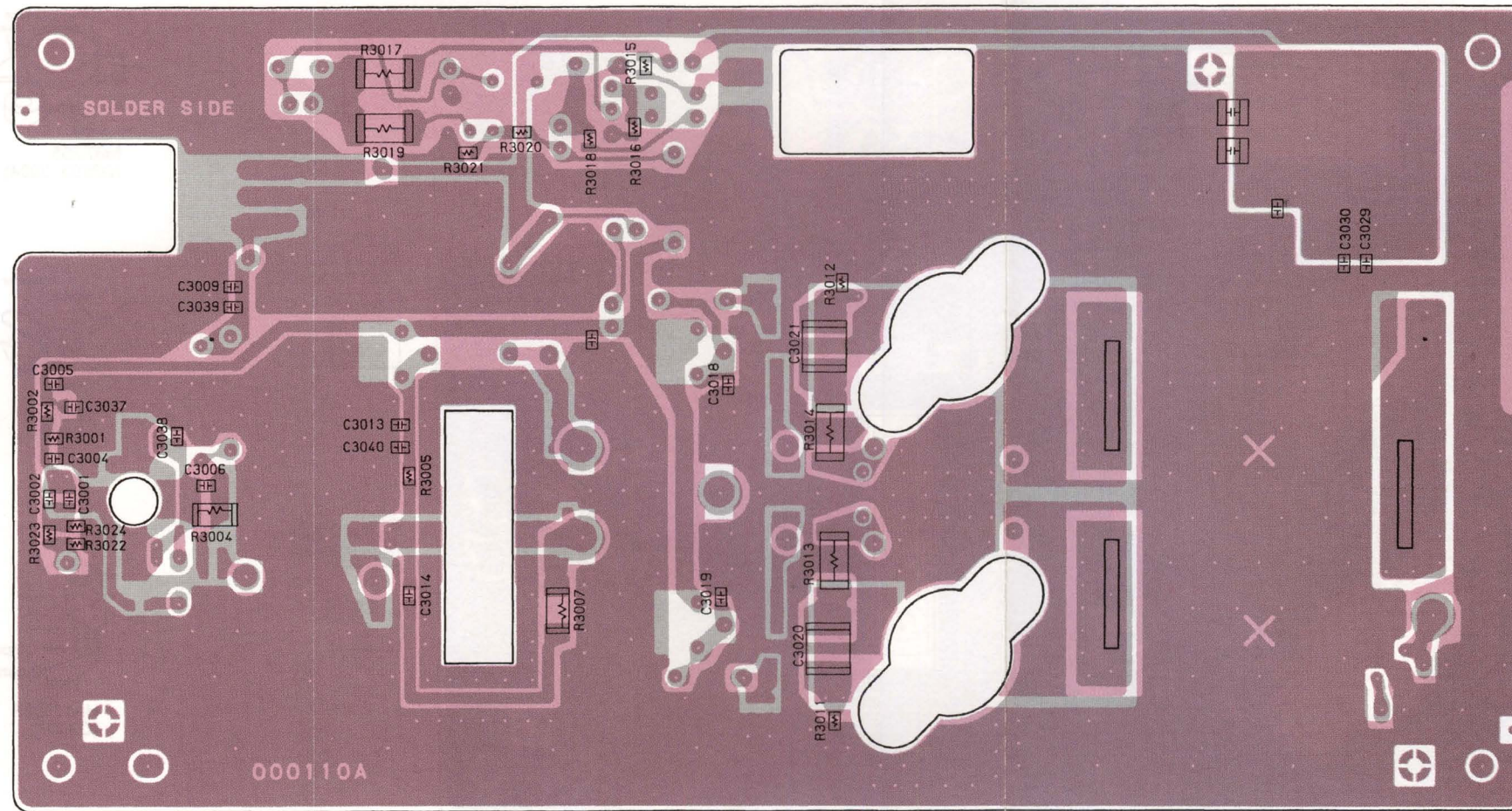


J3001
To MAIN Unit J1001
(See Page 5A-3)

TX



Component Side



Chip Side

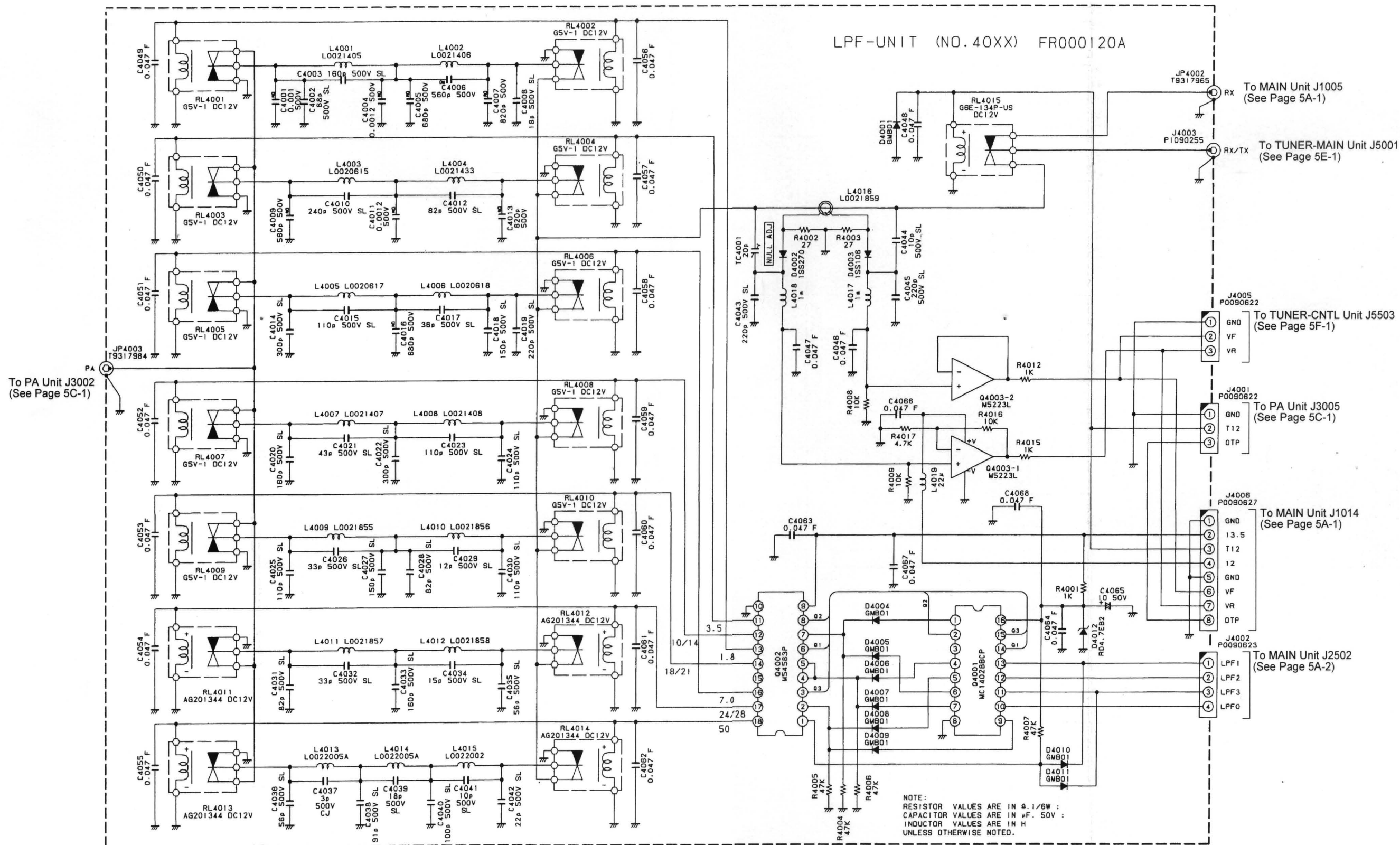
Parts List

REF.	DESCRIPTION	VALUE	WV	TOL.	MFGR'S DESIG	YAESU P/N	VERS.	LOT.	LAY ADR
*** PA UNIT ***									
PCB with Components (w/ Q3002, Q3003, Q3004, Q3007, S3001, S3002, C3022, C3023, JP3001, COLOR RA0005800)						CS1536001			
Printed Circuit Board						FR000110A			
C 3001	CHIP CAP.	0.001uF	50V	B	GRM40B102M50PT	K22170805			
C 3002	CHIP CAP.	0.1uF	25V	B	GRM40B104M25PT	K22140811			
C 3003	CHIP CAP.	0.1uF	25V	B	GRM40B104M25PT	K22140811			
C 3005	CHIP CAP.	0.1uF	25V	B	GRM40B104M25PT	K22140811			
C 3006	CHIP CAP.	0.1uF	25V	B	GRM40B104M25PT	K22140811			
C 3007	CHIP CAP.	0.01uF	50V	B	GRM40B103M50PT	K22170817			
C 3008	CHIP CAP.	0.001uF	50V	B	GRM40B102M50PT	K22170805			
C 3009	CHIP CAP.	0.001uF	50V	B	GRM40B102M50PT	K22170805			
C 3010	CHIP CAP.	0.01uF	50V	B	GRM40B103M50PT	K22170817			
C 3011	CHIP CAP.	0.01uF	50V	B	GRM40B103M50PT	K22170817			
C 3012	CHIP CAP.	0.001uF	50V	B	GRM40B102M50PT	K22170805			
C 3013	CHIP CAP.	0.1uF	25V	B	GRM40B104M25PT	K22140811			
C 3014	CHIP CAP.	0.1uF	25V	B	GRM40B104M25PT	K22140811			
C 3015	CHIP CAP.	0.1uF	25V	B	GRM40B104M25PT	K22140811			
C 3016	CERAMIC CAP.	0.0068uF	200V	SL	GRM44-1SL682J200PT	K22236101			
C 3017	CERAMIC CAP.	0.0068uF	200V	SL	GRM44-1SL682J200PT	K22236101			
C 3018	CHIP CAP.	0.1uF	25V	B	GRM40B104M25PT	K22140811			
C 3019	CHIP CAP.	0.1uF	25V	B	GRM40B104M25PT	K22140811			
C 3020	CERAMIC CAP.	0.0068uF	200V	SL	GRM44-1SL682J200PT	K22236101			
C 3021	CERAMIC CAP.	0.0068uF	200V	SL	GRM44-1SL682J200PT	K22236101			
C 3022	CERAMIC CAP.	150pF	500V	SL	DD10SL151J500	K00275151			
C 3023	CERAMIC CAP.	150pF	500V	SL	DD10SL151J500	K00275151			
C 3024	CERAMIC CAP.	39pF	500V	SL	DD05-979SL390K500	K26270027			
C 3025	FILM CAP.	470pF	500V		UC342H4700J-T	K33279015			
C 3026	FILM CAP.	470pF	500V		UC342H4700J-T	K33279015			
C 3027	FILM CAP.	120pF	500V		UC342H1200J-T	K33279026			
C 3029	CHIP CAP.	0.1uF	25V	B	GRM40B104M25PT	K22140811			
C 3030	CHIP CAP.	0.001uF	50V	B	GRM40B102M50PT	K22170805			
C 3031	AL.ELECTRO.CAP.	2200uF	25V		RE3-25V222M	K40149055			
C 3032	AL.ELECTRO.CAP.	2200uF	25V		RE3-25V222M	K40149055			
C 3033	AL.ELECTRO.CAP.	22uF	35V		35V220M6X7TR2	K46160006			
C 3034	AL.ELECTRO.CAP.	10uF	50V		50V100M5X11TR5	K46170021			
C 3035	AL.ELECTRO.CAP.	10uF	50V		50V100M5X11TR5	K46170021			
C 3036	AL.ELECTRO.CAP.	100uF	16V		16V101M6X7TR2	K46120007			
C 3037	CHIP CAP.	0.001uF	50V	B	GRM40B102M50PT	K22170805			
C 3038	CHIP CAP.	0.001uF	50V	B	GRM40B102M50PT	K22170805			
C 3039	CHIP CAP.	0.1uF	25V	B	GRM40B104M25PT	K22140811			
C 3040	CHIP CAP.	0.001uF	50V	B	GRM40B102M50PT	K22170805			
C 3041	CHIP CAP.	0.001uF	50V	B	GRM40B102M50PT	K22170805			
C 3042	CHIP CAP.	0.047uF	50V	B	GRM40B473M50PT	K22170823			
C 3043	CHIP CAP.	0.047uF	50V	B	GRM40B473M50PT	K22170823			
C 3044	CHIP CAP.	0.1uF	25V	B	GRM40B104M25PT	K22140811			
C 3045	CHIP CAP.	0.001uF	50V	B	GRM40B102M50PT	K22170805			
C 3046	CHIP CAP.	0.01uF	50V	B	GRM40B103M50PT	K22170817			
C 3047	FILM CAP.	0.1uF	100V		ECQ-B1104JF	K50205104			
C 3048	CERAMIC CAP.	0.01uF	16V	Y	EP050Y103N-A	K28129001			
D 3003	DIODE				11ES1-TA1B2	G2060009			
D 3004	DIODE				GMB01-BT	G2060016			
D 3005	DIODE				GMB01-BT	G2060016			
D 3006	DIODE				GMB01-BT	G2060016			
D 3007	DIODE				GMB01-BT	G2060016			
D 3008	DIODE				1SS272 TE85R	G2070048			
D 3009	DIODE				1SS272 TE85R	G2070048			
J 3001	CONNECTOR				TMP-J01X-A2	P1090255			
J 3002	CONNECTOR				TMP-J01X-A2	P1090255			
J 3003	TERMINAL				Y106	S5000179			

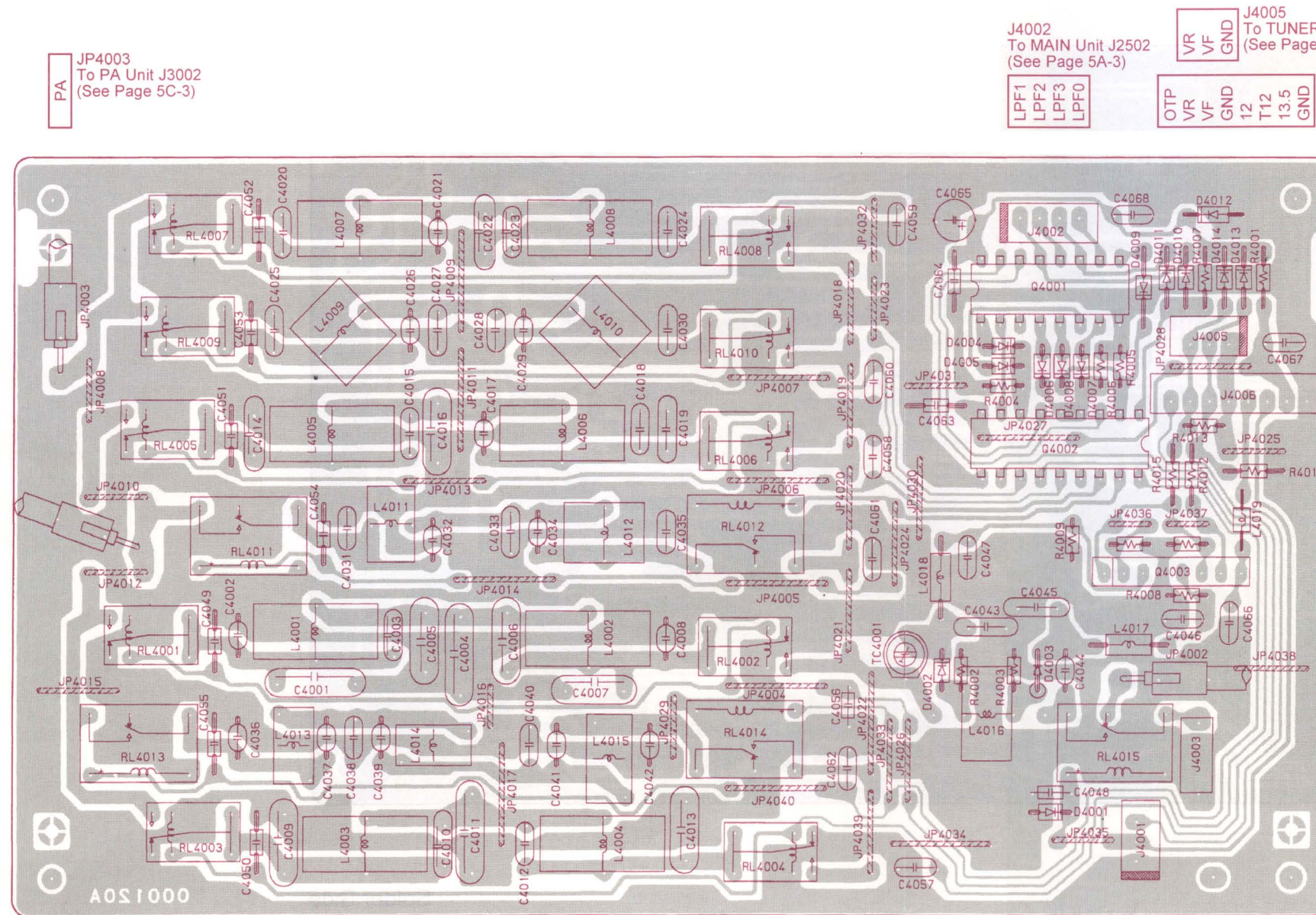
PA Unit

REF.	DESCRIPTION	VALUE	WV	TOL.	MFGR'S DESIG	YAESU P/N	VERS.	LOT.	LAY ADR
J 3004	TERMINAL				Y106	S5000179			
J 3005	CONNECTOR				SC25-03WS	P0090622			
J 3007	CONNECTOR				B2B-EH	P0090666			
J 3008	CONNECTOR				IMSA-9202B-1-02-T	P0091174			
J 3009	CONNECTOR				SC25-02WS	P0090621			
JP3001	CONNECTOR				IMSA-9206H-T	P1090988			
JP3002	WIRE ASSY				BLU 50 <7>/<7>	T9318003			
L 3002	M.RFC	100uH			LAL04NA101K	L1190133			
L 3003	RFC WITH BEADS				3A RI5.8X6.4-2	L1020728			
L 3005	RFC WITH BEADS				3A RI5.8X6.4-2	L1020732			
L 3006	M.RFC	100uH			LHLC06NB101KH	L1190398			
P 3001	WIRE ASSY				A0734	T9206588A			
Q 3001	TRANSISTOR				MRF555	G3090115			
Q 3002	FET				MRF5015	G3090113			
Q 3003	FET				MRF255	G3090120			
Q 3004	FET				MRF255	G3090120			
Q 3005	TRANSISTOR				2SC2001-L	G3320010L			
Q 3006	TRANSISTOR				2SC2001-L	G3320010L			
Q 3007	IC				HA17808P	G1090938			
R 3001	CHIP RES.	2.2kohm	1/10W	5%	RMC1/10T 222J	J24205222			
R 3002	CHIP RES.	3.9kohm	1/10W	5%	RMC1/10T 392J	J24205392			
R 3003	CHIP RES.	330ohm	1/10W	5%	RMC1/10T 331J	J24205331			
R 3004	CHIP RES.	4.7ohm	1/2W	5%	RMC1/2 4R7JCTP	J24275479			
R 3005	CHIP RES.	2.2kohm	1/10W	5%	RMC1/10T 222J	J24205222			
R 3006	CHIP RES.	1.5kohm	1/10W	5%	RMC1/10T 152J	J24205152			
R 3007	CHIP RES.	220ohm	1/2W	5%	RMC1/2 221JCTP	J24275221			
R 3008	CARBON FILM RES.	47ohm	1/6W	5%	RD16TPJ470	J07225470			
R 3009	CHIP RES.	22ohm	1W	5%	RMC1 220JTE	J24305220			
R 3010	CHIP RES.	22ohm	1W	5%	RMC1 220JTE	J24305220			
R 3011	CHIP RES.	1.5kohm	1/10W	5%	RMC1/10T 152J	J24205152			
R 3012	CHIP RES.	1.5kohm	1/10W	5%	RMC1/10T 152J	J24205152			
R 3013	CHIP RES.	47ohm	1W	5%	RMC1 470JTE	J24305470			
R 3014	CHIP RES.	47ohm	1W	5%	RMC1 470JTE	J24305470			
R 3015	CHIP RES.	4.7kohm	1/10W	5%	RMC1/10T 472J	J24205472			
R 3016	CHIP RES.	1kohm	1/10W	5%	RMC1/10T 102J	J24205102			
R 3017	CHIP RES.	15ohm	1W	5%	RMC1 150JTE	J24305150			
R 3018	CHIP RES.	4.7kohm	1/10W	5%	RMC1/10T 472J	J24205472			
R 3019	CHIP RES.	22ohm	1W	5%	RMC1 220JTE	J24305220			
R 3020	CHIP RES.	4.7kohm	1/10W	5%	RMC1/10T 472J	J24205472			
R 3021	CHIP RES.	1kohm	1/10W	5%	RMC1/10T 102J	J24205102			
R 3022	CHIP RES.	150ohm	1/10W	5%	RMC1/10T 151J	J24205151			
R 3023	CHIP RES.	39ohm	1/10W	5%	RMC1/10T 390J	J24205390			
R 3024	CHIP RES.	150ohm	1/10W	5%	RMC1/10T 151J	J24205151			
R 3025	CARBON FILM RES.	100ohm	1/6W	5%	RD16TPJ101	J07225101			
R 3026	CHIP RES.	47ohm	1/4W	5%	RMC1/4 470JATP	J24245470			
R 3027	CHIP RES.	100ohm	1W	5%	RMC1 101JTE	J24305101			
R 3028	CARBON FILM RES.	2.2kohm	1/6W	5%	RD16TPJ222	J07225222			
R 3029	CARBON FILM RES.	2.2kohm	1/6W	5%	RD16TPJ222	J07225222			
R 3030	CHIP RES.	100ohm	1W	5%	RMC1 101JTE	J24305101			
R 3031	CARBON FILM RES.	100ohm	1/6W	5%	RD16TPJ101	J07225101			
S 3001	THERMAL SWITCH				OHD5R-50B	N7090136			
S 3002	THERMAL SWITCH				OHD3-90M	N7090098			
T 3002	COIL PWR-WIDE				3A RIB8X14X6.5	L0022451			
T 3003	COIL PWR-WIDE				3A RIB10X20X15	L0022450			
T 3004	TOROIDAL COIL	6uH			U 6H3 10X5X5	L0022039			
T 3005	COIL PWR-WIDE				D12A RIB16	L0022399A			
VR3001	POT.	4.7kohm			RH0638CS3R 4.7KB	J51808472			
VR3002	POT.	10kohm			RH0638C14R 10KB	J51808103			
VR3003	POT.	10kohm			RH0638C14R 10KB	J51808103			
Z 3001	COLLAR					RA0005800			

Circuit Diagram



Parts Layout



PA
JP4003
To PA Unit J3002
(See Page 5C-3)

J4002
To MAIN Unit J2502
(See Page 5A-3)

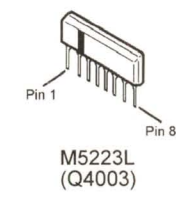
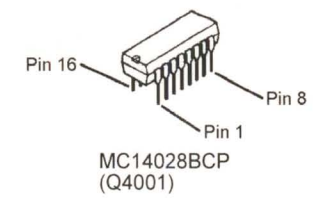
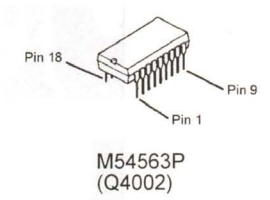
LPF1
LPF2
LPF3
LPF0

VR
VF
GND

J4005
To TUNER-CNTL Unit J5503
(See Page 5F-3)

OTP
VR
VF
GND
12
T12
13.5
GND

J4006
To MAIN Unit J1014
(See Page 5A-3)



JP4002
To MAIN Unit J1005
(See Page 5A-3)

RX

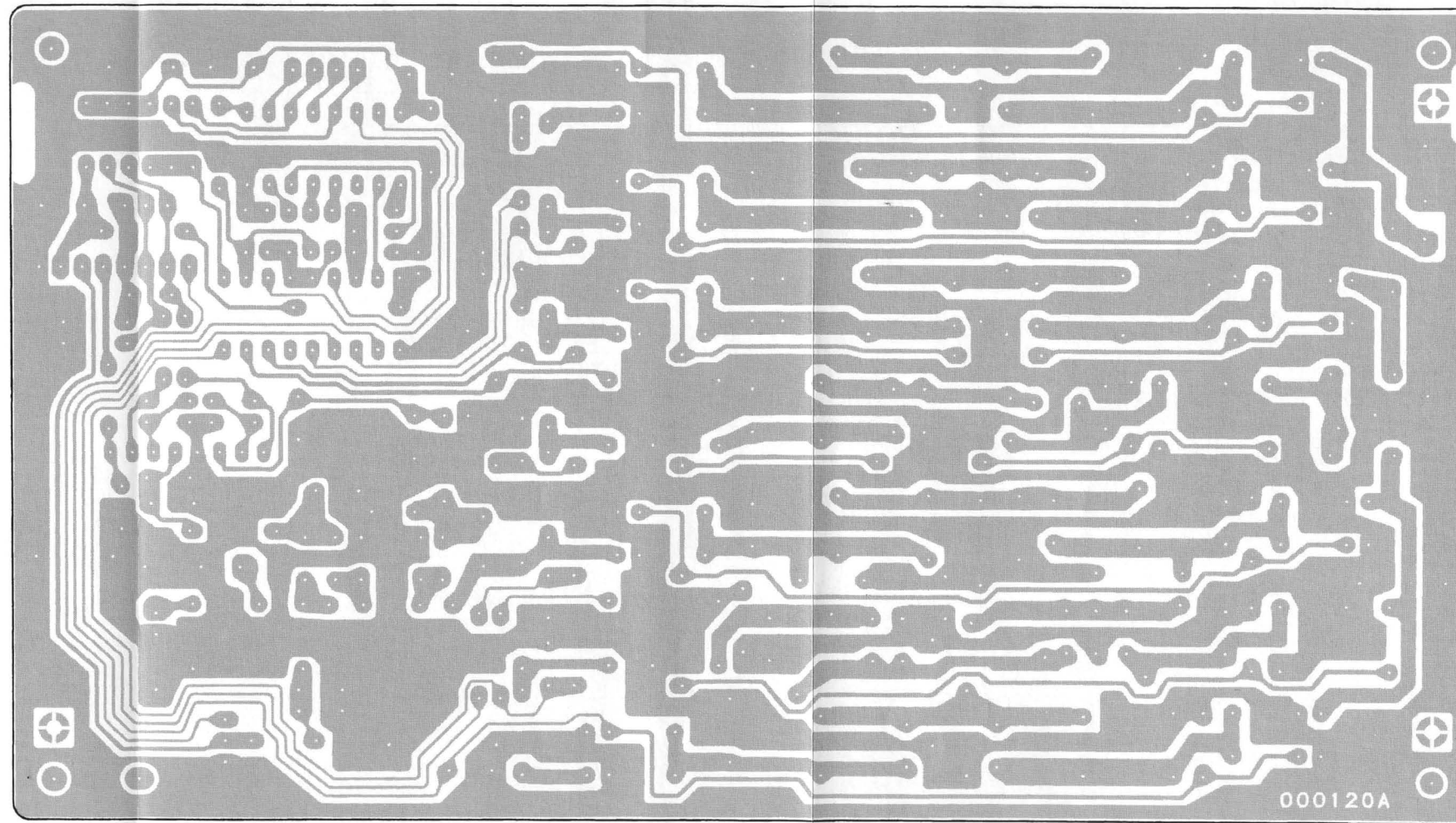
J4003
To TUNER-MAIN Unit J5001
(See Page 5E-3)

RX/TX

OTP
T12
GND

J4001
To PA Unit J3005
(See Page 5C-3)

Component Side



Solder Side

Parts List

REF.	DESCRIPTION	VALUE	WV	TOL.	MFGR'S DESIG	YAESU P/N	VERS.	LOT.	LAY ADR
*** LPF UNIT ***									
PCB with Components (w/o P0011, P0013, P0025, P0028, P0030)						CS1544001			
Printed Circuit Board						FR000120A			
C 4001	MICA CAP.	0.001uF	500V		LCQ21102J5	K30275102			
C 4002	CERAMIC CAP.	68pF	500V	SL	DD05-979SL680K500	K26270033			
C 4003	CERAMIC CAP.	160pF	500V	SL	DD07SL161K500	K00276161			
C 4004	MICA CAP.	0.0012uF	500V		LCQ21122J5	K30275122			
C 4005	MICA CAP.	680pF	500V		LCQ18681J5	K30275681			
C 4006	MICA CAP.	560pF	500V		LCQ18561J5	K30275561			
C 4007	MICA CAP.	820pF	500V		LCQ18821J5	K30275821			
C 4008	CERAMIC CAP.	18pF	500V	SL	DD05-979SL180K500	K26270019			
C 4009	MICA CAP.	560pF	500V		LCQ18561J5	K30275561			
C 4010	CERAMIC CAP.	240pF	500V	SL	DD12SL241J500	K00275241			
C 4011	MICA CAP.	0.0012uF	500V		LCQ21122J5	K30275122			
C 4012	CERAMIC CAP.	82pF	500V	SL	DD06-979SL820K500	K26270035			
C 4013	MICA CAP.	620pF	500V		LCQ18621J5	K30275621			
C 4014	CERAMIC CAP.	300pF	500V	SL	DD10-979SL301K500	K26270048			
C 4015	CERAMIC CAP.	110pF	500V	SL	DD09SL111J500	K00275111			
C 4016	MICA CAP.	680pF	500V		LCQ18681J5	K30275681			
C 4017	CERAMIC CAP.	36pF	500V	SL	DD05-979SL360K500	K26270026			
C 4018	CERAMIC CAP.	150pF	500V	SL	DD07-979SL151K500	K26270041			
C 4019	CERAMIC CAP.	220pF	500V	SL	DD09-979SL221K500	K26270045			
C 4020	CERAMIC CAP.	160pF	500V	SL	DD07SL161K500	K00276161			
C 4021	CERAMIC CAP.	43pF	500V	SL	RCC06SL430J-L46AU	K00279014			
C 4022	CERAMIC CAP.	300pF	500V	SL	DD10-979SL301K500	K26270048			
C 4023	CERAMIC CAP.	110pF	500V	SL	DD09SL111J500	K00275111			
C 4024	CERAMIC CAP.	110pF	500V	SL	DD09SL111J500	K00275111			
C 4025	CERAMIC CAP.	110pF	500V	SL	DD09SL111J500	K00275111			
C 4026	CERAMIC CAP.	33pF	500V	SL	DD05-979SL330K500	K26270025			
C 4027	CERAMIC CAP.	150pF	500V	SL	DD07-979SL151K500	K26270041			
C 4028	CERAMIC CAP.	82pF	500V	SL	DD06-979SL820K500	K26270035			
C 4029	CERAMIC CAP.	12pF	500V	SL	DD05-979SL120K500	K26270015			
C 4030	CERAMIC CAP.	110pF	500V	SL	DD09SL111J500	K00275111			
C 4031	CERAMIC CAP.	82pF	500V	SL	DD06-979SL820K500	K26270035			
C 4032	CERAMIC CAP.	33pF	500V	SL	DD05-979SL330K500	K26270025			
C 4033	CERAMIC CAP.	160pF	500V	SL	DD07SL161K500	K00276161			
C 4034	CERAMIC CAP.	15pF	500V	SL	DD05-979SL150K500	K26270017			
C 4035	CERAMIC CAP.	56pF	500V	SL	DD05-979SL560K500	K26270031			
C 4036	CERAMIC CAP.	56pF	500V	SL	DD09SL560J500	K00275560			
C 4037	CERAMIC CAP.	3pF	500V	CJ	DD05-979CJ030C500	K26270105			
C 4038	CERAMIC CAP.	91pF	500V	SL	DD09SL910J500	K00275910			
C 4039	CERAMIC CAP.	18pF	500V	SL	DD06SL180J500	K00275180			
C 4040	CERAMIC CAP.	100pF	500V	SL	DD06-979SL101K500	K26270037			
C 4041	CERAMIC CAP.	10pF	500V	SL	DD05-979SL100D500	K26270013			
C 4042	CERAMIC CAP.	22pF	500V	SL	DD05SL220K500	K00276220			
C 4043	CERAMIC CAP.	220pF	500V	SL	DD09-979SL221K500	K26270045			
C 4044	CERAMIC CAP.	10pF	500V	SL	DD05-979SL100D500	K26270013			
C 4045	CERAMIC CAP.	220pF	500V	SL	DD09-979SL221K500	K26270045			
C 4046	CERAMIC CAP.	0.047uF	50V	F	DD306-979F473Z50	K26170726			
C 4047	CERAMIC CAP.	0.047uF	50V	F	DD306-979F473Z50	K26170726			
C 4048	CERAMIC CAP.	0.047uF	50V	F	UP050F473Z-A-B	K28179002			
C 4049	CERAMIC CAP.	0.047uF	50V	F	UP050F473Z-A-B	K28179002			
C 4050	CERAMIC CAP.	0.047uF	50V	F	UP050F473Z-A-B	K28179002			
C 4051	CERAMIC CAP.	0.047uF	50V	F	UP050F473Z-A-B	K28179002			
C 4052	CERAMIC CAP.	0.047uF	50V	F	UP050F473Z-A-B	K28179002			
C 4053	CERAMIC CAP.	0.047uF	50V	F	UP050F473Z-A-B	K28179002			
C 4054	CERAMIC CAP.	0.047uF	50V	F	UP050F473Z-A-B	K28179002			
C 4055	CERAMIC CAP.	0.047uF	50V	F	UP050F473Z-A-B	K28179002			
C 4056	CERAMIC CAP.	0.047uF	50V	F	UP050F473Z-A-B	K28179002			
C 4057	CERAMIC CAP.	0.047uF	50V	F	DD306-979F473Z50	K26170726			

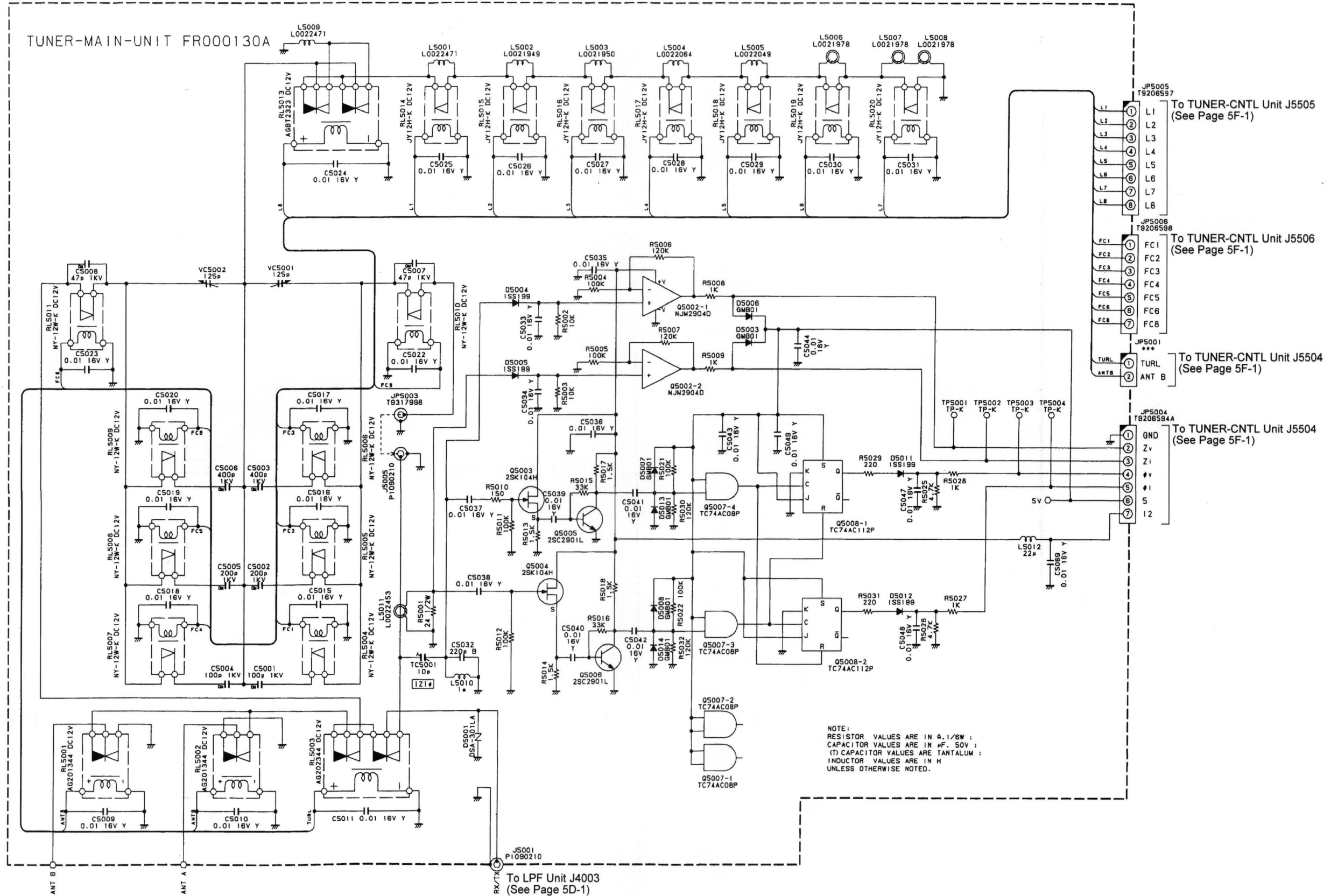
LPF Unit

REF.	DESCRIPTION	VALUE	WV	TOL.	MFGR'S DESIG	YAESU P/N	VERS.	LOT.	LAY.ADR
C 4058	CERAMIC CAP.	0.047uF	50V	F	DD306-979F473Z50	K26170726			
C 4059	CERAMIC CAP.	0.047uF	50V	F	DD306-979F473Z50	K26170726			
C 4060	CERAMIC CAP.	0.047uF	50V	F	DD306-979F473Z50	K26170726			
C 4061	CERAMIC CAP.	0.047uF	50V	F	DD306-979F473Z50	K26170726			
C 4062	CERAMIC CAP.	0.047uF	50V	F	DD306-979F473Z50	K26170726			
C 4063	CERAMIC CAP.	0.047uF	50V	F	UP050F473Z-A-B	K28179002			
C 4064	CERAMIC CAP.	0.047uF	50V	F	UP050F473Z-A-B	K28179002			
C 4065	AL.ELECTRO.CAP.	10uF	50V		50V100M5X11TR5	K46170021			
C 4066	CERAMIC CAP.	0.047uF	50V	F	DD306-979F473Z50	K26170726			
C 4067	CERAMIC CAP.	0.047uF	50V	F	DD306-979F473Z50	K26170726			
C 4068	CERAMIC CAP.	0.047uF	50V	F	DD306-979F473Z50	K26170726			
D 4001	DIODE				GMB01-BT	G2060016			
D 4002	DIODE				1SS270TJ	G2060004			
D 4003	DIODE				1SS106RE	G2050005			
D 4004	DIODE				GMB01-BT	G2060016			
D 4005	DIODE				GMB01-BT	G2060016			
D 4006	DIODE				GMB01-BT	G2060016			
D 4007	DIODE				GMB01-BT	G2060016			
D 4008	DIODE				GMB01-BT	G2060016			
D 4009	DIODE				GMB01-BT	G2060016			
D 4010	DIODE				GMB01-BT	G2060016			
D 4011	DIODE				GMB01-BT	G2060016			
D 4012	DIODE				RD4.7EB2-T1	G2060006			
J 4001	CONNECTOR				SC25-03WS	P0090622			
J 4002	CONNECTOR				SC25-04WS	P0090623			
J 4003	CONNECTOR				TMP-J01X-A2	P1090255			
J 4005	CONNECTOR				SC25-03WS	P0090622			
J 4006	CONNECTOR				SC25-08WS	P0090627			
JP4002	WIRE ASSY				BLE 440 TMP/TMP	T9317965			
JP4003	WIRE ASSY				GRAY 140 TMP/TMP	T9317984			
L 4001	TOROIDAL COIL	3.77uH			3.770U T50-2	L0021405			
L 4002	TOROIDAL COIL	2.94uH			2.940U T50-2	L0021406			
L 4003	TOROIDAL COIL	1.9uH			1.900U T50-2	L0020615			
L 4004	TOROIDAL COIL	2.4uH			2.400U T-50-2	L0021433			
L 4005	TOROIDAL COIL	1.1uH			1.100U T50-6	L0020617			
L 4006	TOROIDAL COIL	1.32uH			1.320U T50-6	L0020618			
L 4007	TOROIDAL COIL	0.62uH			0.620U T50-6	L0021407			
L 4008	TOROIDAL COIL	0.46uH			0.460U T50-6	L0021408			
L 4009	COIL B1				8.0T8.5D0.9UEW R	L0021855			
L 4010	COIL B1				9.0T8.5D0.9UEW R	L0021856			
L 4011	COIL B1				6.0T8.0D0.8UEW R	L0021857			
L 4012	COIL B1				7.0T8.5D0.9UEW R	L0021858			
L 4013	COIL A1				3.5T7.5D1.0UEW R	L0022005A			
L 4014	COIL A1				3.5T7.5D1.0UEW R	L0022005A			
L 4015	COIL A1				3.5T8.5D1.0UEW R	L0022002			
L 4016	TOROIDAL COIL	110uH			110U RI9.3-4.8-5	L0021859			
L 4017	M.RFC	1mH			LAL03TA102K	L1790119			
L 4018	M.RFC	1mH			LAL03TA102K	L1790119			
L 4019	M.RFC	22uH			LAP02TA220K	L1790062			
Q 4001	IC				MC14028BCP	G1090088			
Q 4002	IC				M54563P	G1090721			
Q 4003	IC				M5223L	G1090988			
R 4001	CARBON FILM RES.	1kohm	1/6W	5%	RD16TPJ102 1K	J07225102			
R 4002	CARBON FILM RES.	27ohm	1/6W	5%	RD16TPJ270 27	J07225270			
R 4003	CARBON FILM RES.	27ohm	1/6W	5%	RD16TPJ270 27	J07225270			
R 4004	CARBON FILM RES.	47kohm	1/6W	5%	RD16TPJ473 47K	J07225473			
R 4005	CARBON FILM RES.	47kohm	1/6W	5%	RD16TPJ473 47K	J07225473			
R 4006	CARBON FILM RES.	47kohm	1/6W	5%	RD16TPJ473 47K	J07225473			
R 4007	CARBON FILM RES.	47kohm	1/6W	5%	RD16TPJ473 47K	J07225473			
R 4008	CARBON FILM RES.	10kohm	1/6W	5%	RD16TPJ103 10K	J07225103			

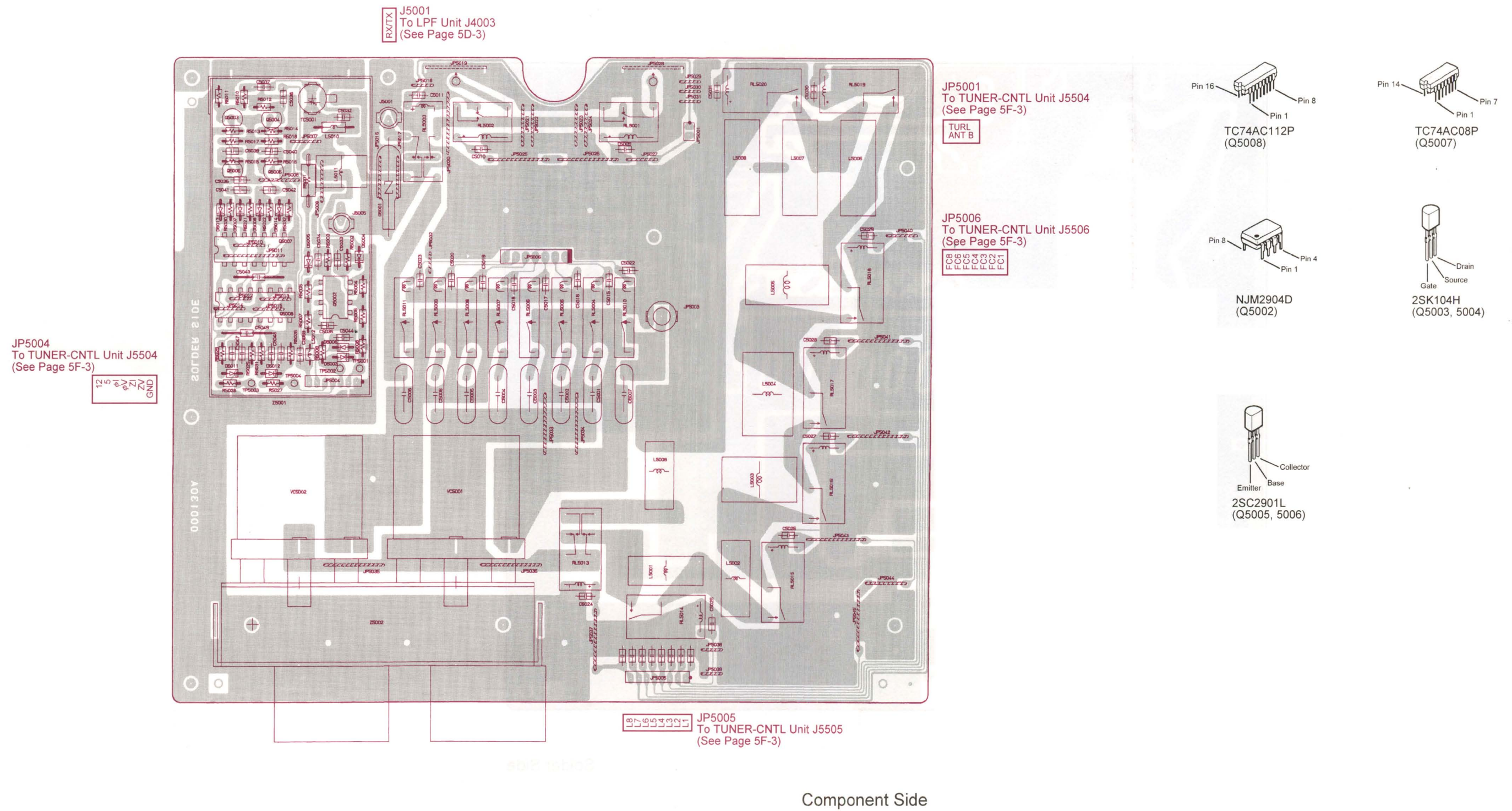
REF.	DESCRIPTION	VALUE	WV	TOL.	MFGR'S DESIG	YAESU P/N	VERS.	LOT.	LAY ADR
R 4009	CARBON FILM RES.	10kohm	1/6W	5%	RD16TPJ103 10K	J07225103			
R 4012	CARBON FILM RES.	1kohm	1/6W	5%	RD16TPJ102 1K	J07225102			
R 4015	CARBON FILM RES.	1kohm	1/6W	5%	RD16TPJ102 1K	J07225102			
R 4016	CARBON FILM RES.	10kohm	1/6W	5%	RD16TPJ103 10K	J07225103			
R 4017	CARBON FILM RES.	18kohm	1/6W	5%	RD16TPJ183 18K	J07225183			
RL4001	RELAY		DC12V		G5V-1 DC12V	M1190120			
RL4002	RELAY		DC12V		G5V-1 DC12V	M1190120			
RL4003	RELAY		DC12V		G5V-1 DC12V	M1190120			
RL4004	RELAY		DC12V		G5V-1 DC12V	M1190120			
RL4005	RELAY		DC12V		G5V-1 DC12V	M1190120			
RL4006	RELAY		DC12V		G5V-1 DC12V	M1190120			
RL4007	RELAY		DC12V		G5V-1 DC12V	M1190120			
RL4008	RELAY		DC12V		G5V-1 DC12V	M1190120			
RL4009	RELAY		DC12V		G5V-1 DC12V	M1190120			
RL4010	RELAY		DC12V		G5V-1 DC12V	M1190120			
RL4011	RELAY		DC12V		AG201344 DC12V	M1190124			
RL4012	RELAY		DC12V		AG201344 DC12V	M1190124			
RL4013	RELAY		DC12V		AG201344 DC12V	M1190124			
RL4014	RELAY		DC12V		AG201344 DC12V	M1190124			
RL4015	RELAY		DC12V		G6E-134P-US DC12V	M1190068			
TC4001	TRIMMER CAP.	20pF			ECV1ZW20X53T 20PF	K91000029			

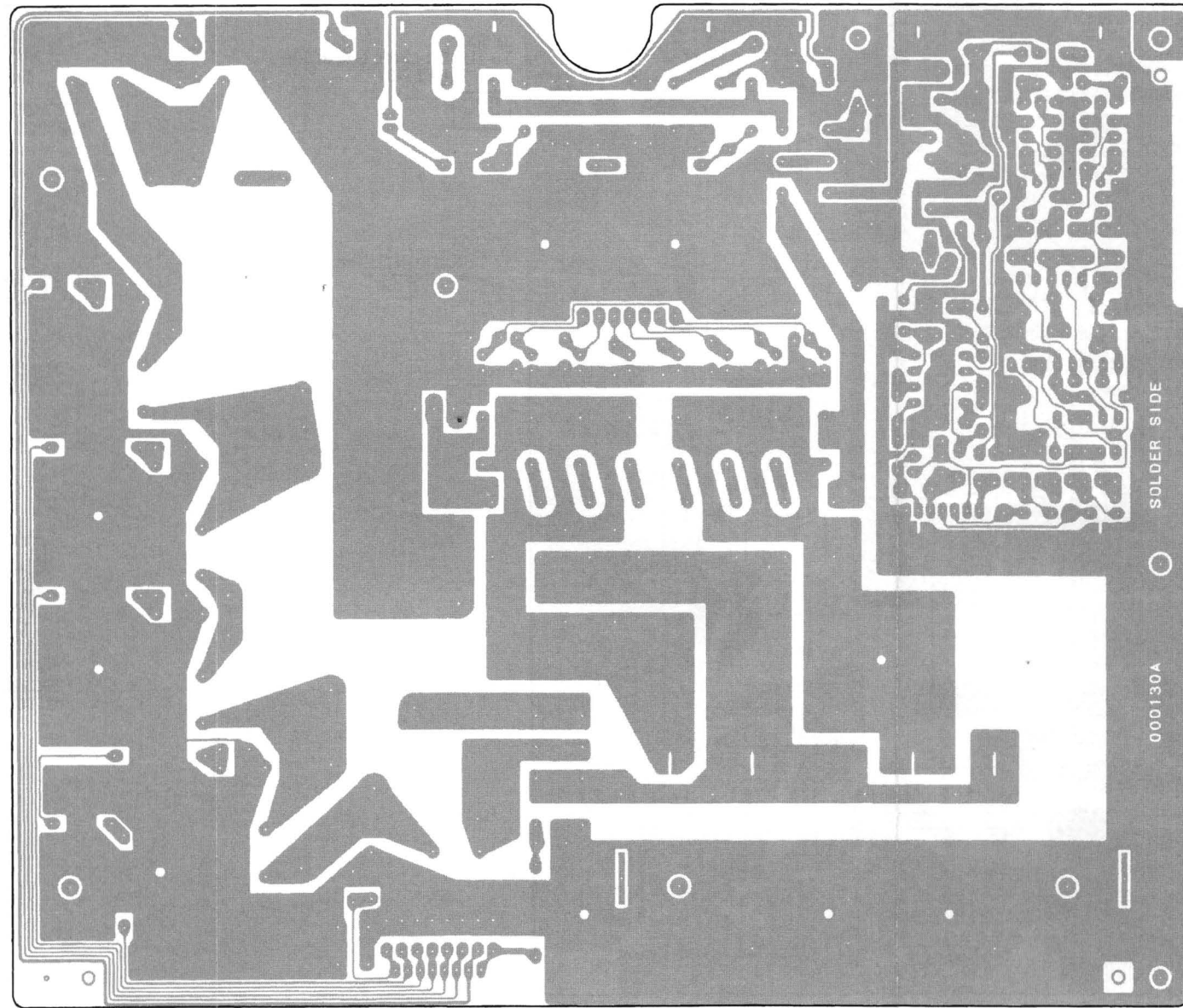
Page 5D-8 is BLANK and not included in this scan!

Circuit Diagram



Parts Layout





Solder Side

TUNER-MAIN Unit

Parts List

REF.	DESCRIPTION	VALUE	WV	TOL.	MFGR'S DESIG	YAESU P/N	VERS.	LOT.	LAY ADR
*** TUNER-MAIN UNIT ***									
PCB with Components (w/o VC5001, VC5002, MOTOR HOLDER ASS'Y,									
UNIVERSAL JOINT (2pcs))						CS1543001			
Printed Circuit Board						FR000130A			
C 5001	MICA CAP.	100pF	1KV		DML2 101J10	K30309040			
C 5002	MICA CAP.	200pF	1KV		DML2 201J10	K30309026			
C 5003	MICA CAP.	400pF			DML2 401J10	K30309055			
C 5004	MICA CAP.	100pF	1KV		DML2 101J10	K30309040			
C 5005	MICA CAP.	200pF	1KV		DML2 201J10	K30309026			
C 5006	MICA CAP.	400pF			DML2 401J10	K30309055			
C 5007	MICA CAP.	47pF	1KV		DML2 470J10	K30309005			
C 5008	MICA CAP.	47pF	1KV		DML2 470J10	K30309005			
C 5009	CERAMIC CAP.	0.01uF	16V	Y	EP050Y103N-A	K28129001			
C 5010	CERAMIC CAP.	0.01uF	16V	Y	EP050Y103N-A	K28129001			
C 5011	CERAMIC CAP.	0.01uF	16V	Y	EP050Y103N-A	K28129001			
C 5015	CERAMIC CAP.	0.01uF	16V	Y	EP050Y103N-A	K28129001			
C 5016	CERAMIC CAP.	0.01uF	16V	Y	EP050Y103N-A	K28129001			
C 5017	CERAMIC CAP.	0.01uF	16V	Y	EP050Y103N-A	K28129001			
C 5018	CERAMIC CAP.	0.01uF	16V	Y	EP050Y103N-A	K28129001			
C 5019	CERAMIC CAP.	0.01uF	16V	Y	EP050Y103N-A	K28129001			
C 5020	CERAMIC CAP.	0.01uF	16V	Y	EP050Y103N-A	K28129001			
C 5022	CERAMIC CAP.	0.01uF	16V	Y	EP050Y103N-A	K28129001			
C 5023	CERAMIC CAP.	0.01uF	16V	Y	EP050Y103N-A	K28129001			
C 5024	CERAMIC CAP.	0.01uF	16V	Y	EP050Y103N-A	K28129001			
C 5025	CERAMIC CAP.	0.01uF	16V	Y	EP050Y103N-A	K28129001			
C 5026	CERAMIC CAP.	0.01uF	16V	Y	EP050Y103N-A	K28129001			
C 5027	CERAMIC CAP.	0.01uF	16V	Y	EP050Y103N-A	K28129001			
C 5028	CERAMIC CAP.	0.01uF	16V	Y	EP050Y103N-A	K28129001			
C 5029	CERAMIC CAP.	0.01uF	16V	Y	EP050Y103N-A	K28129001			
C 5030	CERAMIC CAP.	0.01uF	16V	Y	EP050Y103N-A	K28129001			
C 5031	CERAMIC CAP.	0.01uF	16V	Y	EP050Y103N-A	K28129001			
C 5032	CERAMIC CAP.	220pF	50V	B	UP050B221K-A-B	K28179083			
C 5033	CERAMIC CAP.	0.01uF	16V	Y	EP050Y103N-A	K28129001			
C 5034	CERAMIC CAP.	0.01uF	16V	Y	EP050Y103N-A	K28129001			
C 5035	CERAMIC CAP.	0.01uF	16V	Y	EP050Y103N-A	K28129001			
C 5036	CERAMIC CAP.	0.01uF	16V	Y	EP050Y103N-A	K28129001			
C 5037	CERAMIC CAP.	0.01uF	16V	Y	EP050Y103N-A	K28129001			
C 5038	CERAMIC CAP.	0.01uF	16V	Y	EP050Y103N-A	K28129001			
C 5039	CERAMIC CAP.	0.01uF	16V	Y	EP050Y103N-A	K28129001			
C 5040	CERAMIC CAP.	0.01uF	16V	Y	EP050Y103N-A	K28129001			
C 5041	CERAMIC CAP.	0.01uF	16V	Y	EP050Y103N-A	K28129001			
C 5042	CERAMIC CAP.	0.01uF	16V	Y	EP050Y103N-A	K28129001			
C 5043	CERAMIC CAP.	0.01uF	16V	Y	EP050Y103N-A	K28129001			
C 5044	CERAMIC CAP.	0.01uF	16V	Y	EP050Y103N-A	K28129001			
C 5047	CERAMIC CAP.	0.01uF	16V	Y	EP050Y103N-A	K28129001			
C 5048	CERAMIC CAP.	0.01uF	16V	Y	EP050Y103N-A	K28129001			
C 5049	CERAMIC CAP.	0.01uF	16V	Y	EP050Y103N-A	K28129001			
C 5069	CERAMIC CAP.	0.01uF	16V	Y	EP050Y103N-A	K28129001			
D 5001	SURGE ABSORBER				DSA-301LA	Q9000371			
D 5003	DIODE				GMB01-BT	G2060016			
D 5004	DIODE				1SS199	G2090689			
D 5005	DIODE				1SS199	G2090689			
D 5006	DIODE				GMB01-BT	G2060016			
D 5007	DIODE				GMB01-BT	G2060016			
D 5008	DIODE				GMB01-BT	G2060016			
D 5011	DIODE				1SS199	G2090689			
D 5012	DIODE				1SS199	G2090689			
D 5013	DIODE				GMB01-BT	G2060016			
D 5014	DIODE				GMB01-BT	G2060016			
J 5001	CONNECTOR				TMP-J01X-V6	P1090210			

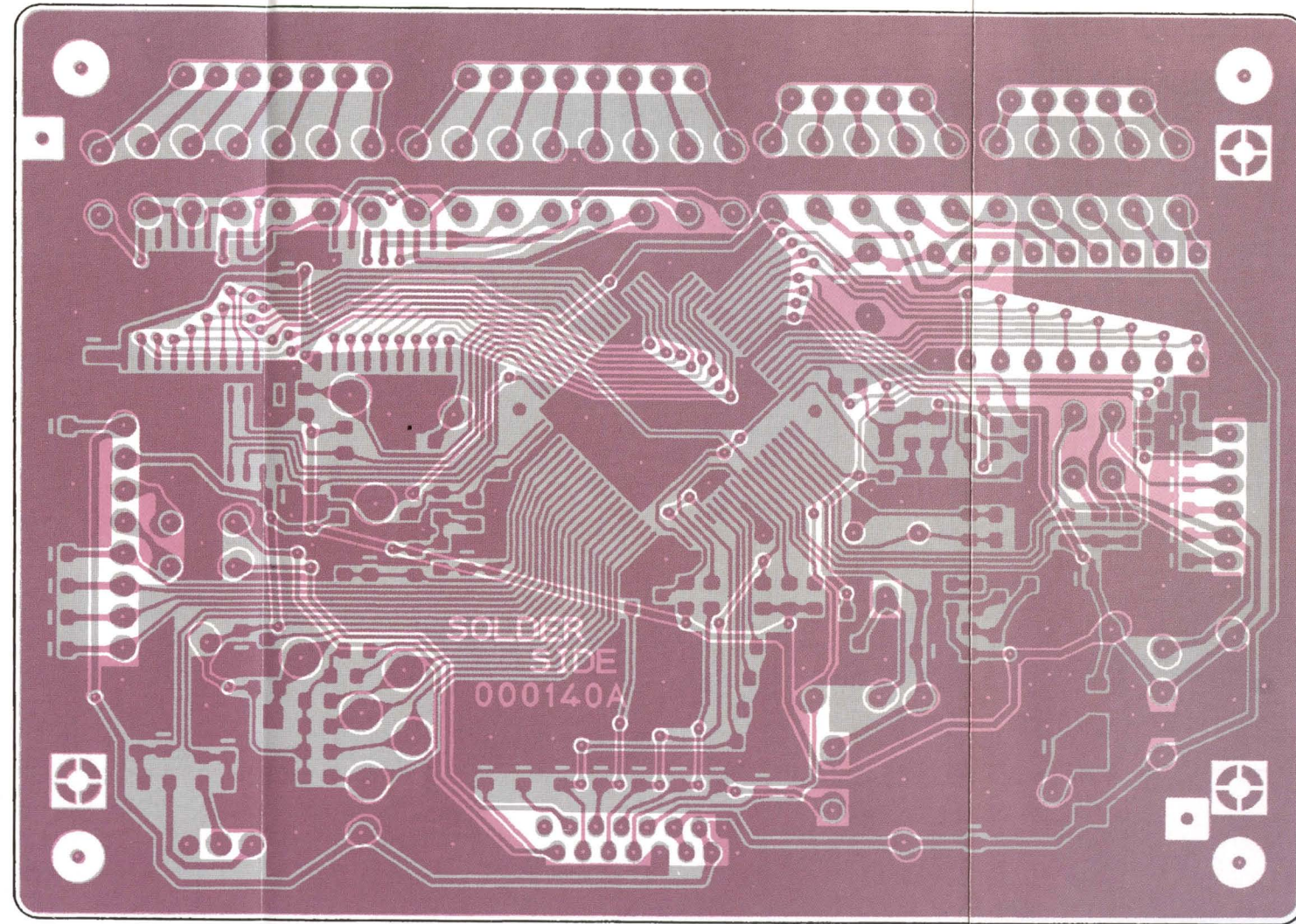
TUNER-MAIN Unit

REF.	DESCRIPTION	VALUE	WV	TOL.	MFGR'S DESIG	YAESU P/N	VERS.	LOT.	LAY ADR
J 5005	CONNECTOR				TMP-J01X-V6	P1090210			
JP5003	WIRE ASSY				GRA 120 TMP/TBP	T9317998			
JP5004	WIRE ASSY				A0734	T9206594A			
JP5005	WIRE ASSY				A0734	T9206597			
JP5006	WIRE ASSY				A0734	T9206598			
JP5046	JUMPER WIRE				J1/6Z	Q6100068			
JP5047	JUMPER WIRE				J1/6Z	Q6100068			
L 5001	COIL A1				2.5T11D2.0UEW R	L0022471			
L 5002	COIL A1				2.5T15D2.0PVF R	L0021949			
L 5003	COIL A1				4.5T15D2.0PVF R	L0021950			
L 5004	COIL A1				6.5T19D2.0PVF R	L0022064			
L 5005	COIL A1				7.5T20D1.2UEW R	L0022049			
L 5006	TOROIDAL COIL	2.55uH			2.55U T-80-2	L0021978			
L 5007	TOROIDAL COIL	2.55uH			2.55U T-80-2	L0021978			
L 5008	TOROIDAL COIL	2.55uH			2.55U T-80-2	L0021978			
L 5009	COIL A1				2.5T11D2.0UEW R	L0022471			
L 5010	M.RFC	1mH			LAL03TA102K	L1790119			
L 5011	TOROIDAL COIL				2001F FR9.5	L0022453			
L 5012	M.RFC	22uH			LAP02TA220K	L1790062			
Q 5002	IC				NJM2904D	G1090539			
Q 5003	FET				2SK104H-T	G3801045H			
Q 5004	FET				2SK104H-T	G3801045H			
Q 5005	TRANSISTOR				2SC2901L	G3329010L			
Q 5006	TRANSISTOR				2SC2901L	G3329010L			
Q 5007	IC				TC74AC08P	G1092508			
Q 5008	IC				TC7AC112P	G1092509			
R 5001	CARBON FILM RES.	24ohm	1/2W	5%	RD12TJ240 24	J01275240			
R 5002	CARBON FILM RES.	10kohm	1/6W	5%	RD16TPJ103 10K	J07225103			
R 5003	CARBON FILM RES.	10kohm	1/6W	5%	RD16TPJ103 10K	J07225103			
R 5004	CARBON FILM RES.	100kohm	1/6W	5%	RD16TPJ104 100K	J07225104			
R 5005	CARBON FILM RES.	100kohm	1/6W	5%	RD16TPJ104 100K	J07225104			
R 5006	CARBON FILM RES.	120kohm	1/6W	5%	RD16TPJ124 120K	J07225124			
R 5007	CARBON FILM RES.	120kohm	1/6W	5%	RD16TPJ124 120K	J07225124			
R 5008	CARBON FILM RES.	1kohm	1/6W	5%	RD16TPJ102 1K	J07225102			
R 5009	CARBON FILM RES.	1kohm	1/6W	5%	RD16TPJ102 1K	J07225102			
R 5010	CARBON FILM RES.	150ohm	1/6W	5%	RD16TPJ151 150	J07225151			
R 5011	CARBON FILM RES.	100kohm	1/6W	5%	RD16TPJ104 100K	J07225104			
R 5012	CARBON FILM RES.	100kohm	1/6W	5%	RD16TPJ104 100K	J07225104			
R 5013	CARBON FILM RES.	1.5kohm	1/6W	5%	RD16TPJ152 1.5K	J07225152			
R 5014	CARBON FILM RES.	1.5kohm	1/6W	5%	RD16TPJ152 1.5K	J07225152			
R 5015	CARBON FILM RES.	33kohm	1/6W	5%	RD16TPJ333 33K	J07225333			
R 5016	CARBON FILM RES.	33kohm	1/6W	5%	RD16TPJ333 33K	J07225333			
R 5017	CARBON FILM RES.	1.5kohm	1/6W	5%	RD16TPJ152 1.5K	J07225152			
R 5018	CARBON FILM RES.	1.5kohm	1/6W	5%	RD16TPJ152 1.5K	J07225152			
R 5021	CARBON FILM RES.	100kohm	1/6W	5%	RD16TPJ104 100K	J07225104			
R 5022	CARBON FILM RES.	100kohm	1/6W	5%	RD16TPJ104 100K	J07225104			
R 5025	CARBON FILM RES.	4.7kohm	1/6W	5%	RD16TPJ472 4.7K	J07225472			
R 5026	CARBON FILM RES.	4.7kohm	1/6W	5%	RD16TPJ472 4.7K	J07225472			
R 5027	CARBON FILM RES.	1kohm	1/6W	5%	RD16TPJ102 1K	J07225102			
R 5028	CARBON FILM RES.	1kohm	1/6W	5%	RD16TPJ102 1K	J07225102			
R 5029	CARBON FILM RES.	220ohm	1/6W	5%	RD16TPJ221 220	J07225221			
R 5030	CARBON FILM RES.	120kohm	1/6W	5%	RD16TPJ124 120K	J07225124			
R 5031	CARBON FILM RES.	220ohm	1/6W	5%	RD16TPJ221 220	J07225221			
R 5032	CARBON FILM RES.	120kohm	1/6W	5%	RD16TPJ124 120K	J07225124			
RL5001	RELAY		DC12V		AG201344 DC12V	M1190124			
RL5002	RELAY		DC12V		AG201344 DC12V	M1190124			
RL5003	RELAY		DC12V		AG202344 DC12V	M1190126			
RL5004	RELAY		DC12V		NY-12W-K DC12V	M1190136			
RL5005	RELAY		DC12V		NY-12W-K DC12V	M1190136			
RL5006	RELAY		DC12V		NY-12W-K DC12V	M1190136			

TUNER-MAIN Unit

REF.	DESCRIPTION	VALUE	WV	TOL.	MFGR'S DESIG	YAESU P/N	VERS.	LOT.	LAY ADR
RL5007	RELAY		DC12V		NY-12W-K DC12V	M1190136			
RL5008	RELAY		DC12V		NY-12W-K DC12V	M1190136			
RL5009	RELAY		DC12V		NY-12W-K DC12V	M1190136			
RL5010	RELAY		DC12V		NY-12W-K DC12V	M1190136			
RL5011	RELAY		DC12V		NY-12W-K DC12V	M1190136			
RL5013	RELAY		DC12V		AGBT2323 DC12V	M1190137			
RL5014	RELAY		DC12V		JY12H-K DC12V	M1190121			
RL5015	RELAY		DC12V		JY12H-K DC12V	M1190121			
RL5016	RELAY		DC12V		JY12H-K DC12V	M1190121			
RL5017	RELAY		DC12V		JY12H-K DC12V	M1190121			
RL5018	RELAY		DC12V		JY12H-K DC12V	M1190121			
RL5019	RELAY		DC12V		JY12H-K DC12V	M1190121			
RL5020	RELAY		DC12V		JY12H-K DC12V	M1190121			
TC5001	TRIMMER CAP.	10pF			CVB10-41 10PF	K91000247			
TP5001	TERMINAL				TP-K IPS-1136	Q5000050			
TP5002	TERMINAL				TP-K IPS-1136	Q5000050			
TP5003	TERMINAL				TP-K IPS-1136	Q5000050			
TP5004	TERMINAL				TP-K IPS-1136	Q5000050			
VC5001	VARIABLE CAP.	125pF			KV-125-05	K90000050			
VC5002	VARIABLE CAP.	125pF			KV-125-05	K90000050			
Z 5001	SHIELD CASE					RA0005900			
Z 5002	MOTOR HOLDER ASSY					RA0005700			
Z 5003	UNIVERSAL JOINT				SM-1116-7	S1000009			
Z 5004	SPACER				3X3	S5000198			

Page 5E-8 is BLANK and not included in this scan!



TUNER-CNTL Unit

Parts List

REF.	DESCRIPTION	VALUE	WV	TOL.	MFGR'S DESIG	YAESU P/N	VERS.	LOT.	LAY ADR
*** TUNER-CNTL UNIT ***									
PCB with Components						CA1604001			
Printed Circuit Board						FR000140A			
C 5501	CHIP CAP.	0.01uF	50V	B	GRM40B103M50PT	K22170817			
C 5502	AL.ELECTRO.CAP.	1uF	50V		50V010M5X11TR5	K46170017			
C 5503	CHIP CAP.	0.01uF	50V	B	GRM40B103M50PT	K22170817			
C 5504	AL.ELECTRO.CAP.	10uF	50V		50V100M5X11TR5	K46170021			
C 5505	AL.ELECTRO.CAP.	330uF	16V		16V331M8X11TR5	K46120002			
C 5506	AL.ELECTRO.CAP.	10uF	50V		50V100M5X11TR5	K46170021			
C 5507	CHIP CAP.	0.01uF	50V	B	GRM40B103M50PT	K22170817			
C 5508	AL.ELECTRO.CAP.	1uF	50V		50V010M5X11TR5	K46170017			
C 5509	CHIP CAP.	0.01uF	50V	B	GRM40B103M50PT	K22170817			
C 5510	CHIP CAP.	0.01uF	50V	B	GRM40B103M50PT	K22170817			
C 5511	AL.ELECTRO.CAP.	0.47uF	50V		50VR47M5X11TR5	K46170016			
C 5512	CHIP CAP.	0.001uF	50V	B	GRM40B102M50PT	K22170805			
C 5513	CHIP CAP.	0.001uF	50V	B	GRM40B102M50PT	K22170805			
C 5514	CHIP CAP.	0.01uF	50V	B	GRM40B103M50PT	K22170817			
C 5515	CHIP CAP.	0.01uF	50V	B	GRM40B103M50PT	K22170817			
C 5516	CHIP CAP.	0.01uF	50V	B	GRM40B103M50PT	K22170817			
C 5517	CHIP CAP.	22pF	50V	CH	GRM40CH220J50PT	K22170219			
C 5518	CHIP CAP.	0.01uF	50V	B	GRM40B103M50PT	K22170817			
C 5519	CHIP CAP.	22pF	50V	CH	GRM40CH220J50PT	K22170219			
C 5520	CHIP CAP.	0.01uF	50V	B	GRM40B103M50PT	K22170817			
C 5521	CHIP CAP.	0.001uF	50V	B	GRM40B102M50PT	K22170805			
C 5522	CHIP CAP.	0.001uF	50V	B	GRM40B102M50PT	K22170805			
C 5523	CHIP CAP.	0.01uF	50V	B	GRM40B103M50PT	K22170817			
C 5524	AL.ELECTRO.CAP.	1uF	50V		50V010M5X11TR5	K46170017			
C 5525	CHIP CAP.	0.01uF	50V	B	GRM40B103M50PT	K22170817			
C 5526	CHIP CAP.	0.01uF	50V	B	GRM40B103M50PT	K22170817			
C 5527	CHIP CAP.	0.01uF	50V	B	GRM40B103M50PT	K22170817			
C 5528	CHIP CAP.	0.01uF	50V	B	GRM40B103M50PT	K22170817			
C 5529	CHIP CAP.	0.01uF	50V	B	GRM40B103M50PT	K22170817			
C 5530	CHIP CAP.	0.01uF	50V	B	GRM40B103M50PT	K22170817			
C 5531	CHIP CAP.	0.01uF	50V	B	GRM40B103M50PT	K22170817			
C 5532	CHIP CAP.	0.01uF	50V	B	GRM40B103M50PT	K22170817			
C 5533	CHIP CAP.	0.01uF	50V	B	GRM40B103M50PT	K22170817			
C 5534	CHIP CAP.	0.01uF	50V	B	GRM40B103M50PT	K22170817			
C 5535	CHIP CAP.	0.01uF	50V	B	GRM40B103M50PT	K22170817			
C 5536	CHIP CAP.	0.01uF	50V	B	GRM40B103M50PT	K22170817			
C 5537	CHIP CAP.	0.01uF	50V	B	GRM40B103M50PT	K22170817			
C 5538	AL.ELECTRO.CAP.	1uF	50V		50V010M5X11TR5	K46170017			
C 5539	CHIP CAP.	0.01uF	50V	B	GRM40B103M50PT	K22170817			
C 5540	AL.ELECTRO.CAP.	100uF	25V		25V101M6X11TR5	K46140005			
C 5541	CHIP CAP.	0.01uF	50V	B	GRM40B103M50PT	K22170817			
C 5542	CHIP CAP.	0.01uF	50V	B	GRM40B103M50PT	K22170817			
C 5543	CHIP CAP.	0.01uF	50V	B	GRM40B103M50PT	K22170817			
C 5544	CHIP CAP.	0.01uF	50V	B	GRM40B103M50PT	K22170817			
C 5545	AL.ELECTRO.CAP.	1uF	50V		50V010M5X11TR5	K46170017			
C 5547	AL.ELECTRO.CAP.	1uF	50V		50V010M5X11TR5	K46170017			
C 5548	CHIP CAP.	0.01uF	50V	B	GRM40B103M50PT	K22170817			
C 5549	CHIP CAP.	0.01uF	50V	B	GRM40B103M50PT	K22170817			
C 5550	CHIP CAP.	0.01uF	50V	B	GRM40B103M50PT	K22170817			
C 5551	CHIP CAP.	0.01uF	50V	B	GRM40B103M50PT	K22170817			
C 5552	CHIP CAP.	0.01uF	50V	B	GRM40B103M50PT	K22170817			
C 5553	CHIP CAP.	0.01uF	50V	B	GRM40B103M50PT	K22170817			
C 5554	CHIP CAP.	0.01uF	50V	B	GRM40B103M50PT	K22170817			
C 5555	CHIP CAP.	0.01uF	50V	B	GRM40B103M50PT	K22170817			
CO5501	CERAMIC OSC	16MHz			CSA16.00MXZ040	H7901090			
D 5502	DIODE				GMB01-BT	G2060016			
D 5503	DIODE				GMB01-BT	G2060016			

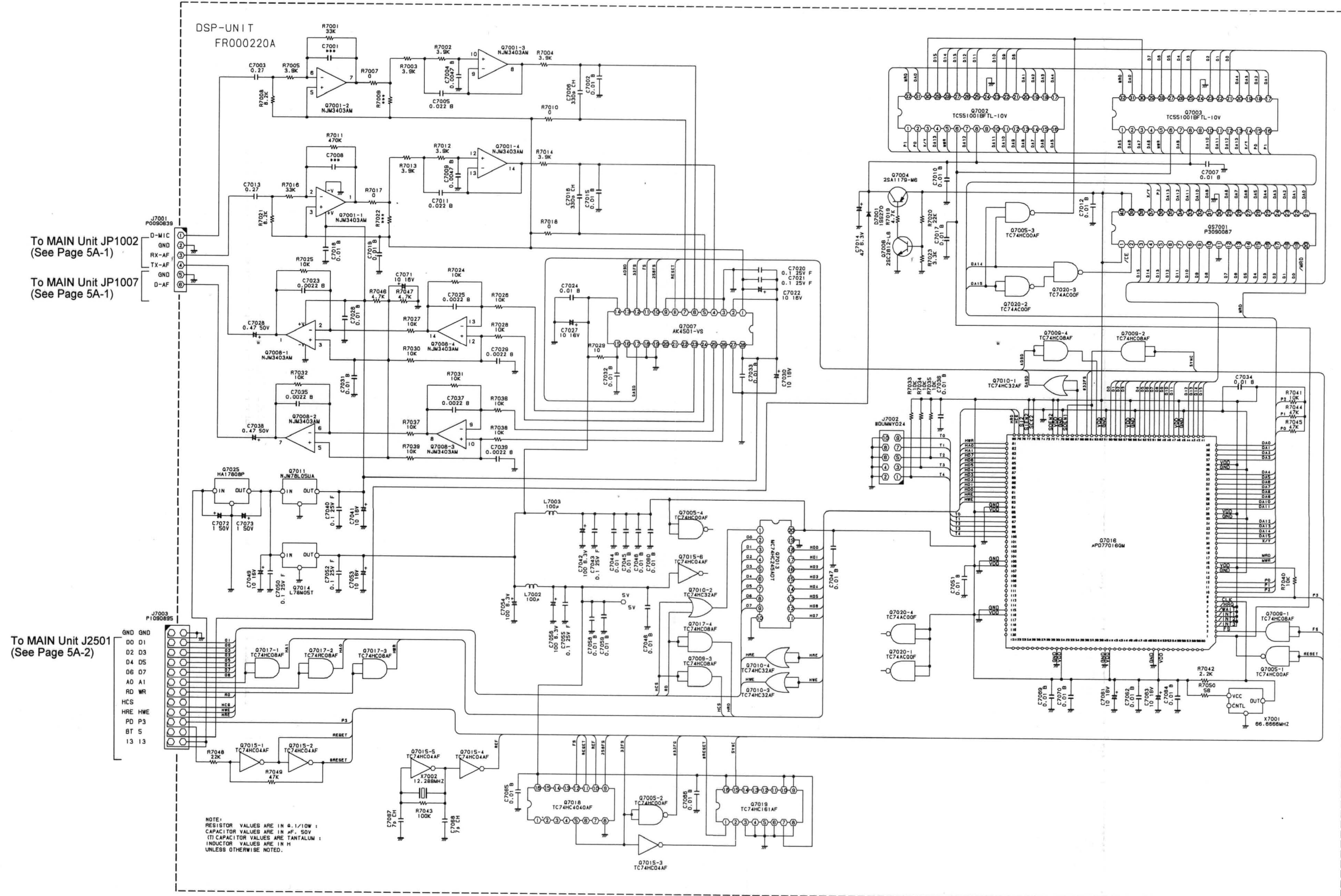
TUNER-CNTL Unit

REF.	DESCRIPTION	VALUE	WV	TOL.	MFGR'S DESIG	YAESU P/N	VERS.	LOT.	LAY ADR
D 5504	DIODE				GMB01-BT	G2060016			
D 5505	DIODE				GMB01-BT	G2060016			
D 5506	DIODE				GMB01-BT	G2060016			
J 5501	CONNECTOR				16FMZ-BT	P1090902			
J 5503	CONNECTOR				SC25-03WS	P0090622			
J 5504	CONNECTOR				SC25-09WS	P0090628			
J 5505	CONNECTOR				SC25-08WS	P0090627			
J 5506	CONNECTOR				SC25-07WS	P0090626			
J 5507	CONNECTOR				IL-S-8P-S2L2-EF	P0091077			
J 5508	CONNECTOR				SC25-05WS	P0090624			
J 5509	CONNECTOR				SC25-05WS	P0090624			
J 5510	CONNECTOR				SC25-03WS	P0090622			
L 5502	M.RFC	100uH			LAL03VB101K	L1790152			
L 5503	M.RFC	100uH			LAL03VB101K	L1790152			
L 5504	M.RFC	100uH			LAL03VB101K	L1790152			
L 5505	M.RFC	100uH			LAL03VB101K	L1790152			
L 5506	M.RFC	100uH			LAL03VB101K	L1790152			
L 5507	M.RFC	100uH			LAL03VB101K	L1790152			
L 5508	M.RFC	100uH			LAL03VB101K	L1790152			
L 5509	M.RFC	100uH			LAL03VB101K	L1790152			
L 5510	M.RFC	100uH			LAL03VB101K	L1790152			
L 5511	M.RFC	100uH			LAL03VB101K	L1790152			
L 5512	M.RFC	100uH			LAL03VB101K	L1790152			
L 5513	M.RFC	100uH			LAL03VB101K	L1790152			
L 5515	M.RFC	100uH			LAL03VB101K	L1790152			
L 5516	M.RFC	100uH			LAL03VB101K	L1790152			
L 5517	M.RFC	100uH			LAL03VB101K	L1790152			
L 5518	M.RFC	100uH			LAL03VB101K	L1790152			
L 5519	M.RFC	100uH			LAL03VB101K	L1790152			
L 5520	M.RFC	100uH			LAL03VB101K	L1790152			
L 5521	M.RFC	100uH			LAL03VB101K	L1790152			
L 5522	M.RFC	100uH			LAL03VB101K	L1790152			
L 5523	M.RFC	100uH			LAL03VB101K	L1790152			
L 5524	M.RFC	100uH			LAL03VB101K	L1790152			
L 5525	M.RFC	100uH			LAL03VB101K	L1790152			
L 5526	M.RFC	100uH			LAL03VB101K	L1790152			
L 5527	M.RFC	100uH			LAL03VB101K	L1790152			
L 5528	M.RFC	100uH			LAL03VB101K	L1790152			
L 5529	M.RFC	100uH			LAL03VB101K	L1790152			
Q 5501	IC				NJM78L05UA TE2	G1091325			
Q 5502	TRANSISTOR				2SC4047-TA	G3340477			
Q 5503	IC				HD6473334YF16 R0159	G1092634			
Q 5504	TRANSISTOR				2SC4047-TA	G3340477			
Q 5505	IC				M54585P	G1090963			
Q 5506	IC				TD62783F TP1	G1091620			
Q 5507	IC				TD62783F TP1	G1091620			
Q 5508	IC				BR93LC46F-T1	G1091867			
Q 5509	TRANSISTOR				2SC2812L6-TA	G3328127F			
Q 5510	TRANSISTOR				2SA1179M6-TA	G3111797F			
R 5501	CHIP RES.	47ohm	1/2W	5%	RMC1/2 470JCTP	J24275470			
R 5502	CARBON FILM RES.	47kohm	1/6W	5%	RD16TPJ473 47K	J07225473			
R 5503	CHIP RES.	47kohm	1/10W	5%	RMC1/10T 473J	J24205473			
R 5504	CHIP RES.	47kohm	1/10W	5%	RMC1/10T 473J	J24205473			
R 5505	CHIP RES.	47kohm	1/10W	5%	RMC1/10T 473J	J24205473			
R 5506	CHIP RES.	47kohm	1/10W	5%	RMC1/10T 473J	J24205473			
R 5507	CHIP RES.	47kohm	1/10W	5%	RMC1/10T 473J	J24205473			
R 5508	CARBON FILM RES.	47kohm	1/6W	5%	RD16TPJ473 47K	J07225473			
R 5509	CHIP RES.	1kohm	1/10W	5%	RMC1/10T 102J	J24205102			
R 5510	CARBON FILM RES.	47kohm	1/6W	5%	RD16TPJ473 47K	J07225473			
R 5511	CHIP RES.	47kohm	1/10W	5%	RMC1/10T 473J	J24205473			

TUNER-CNTL Unit

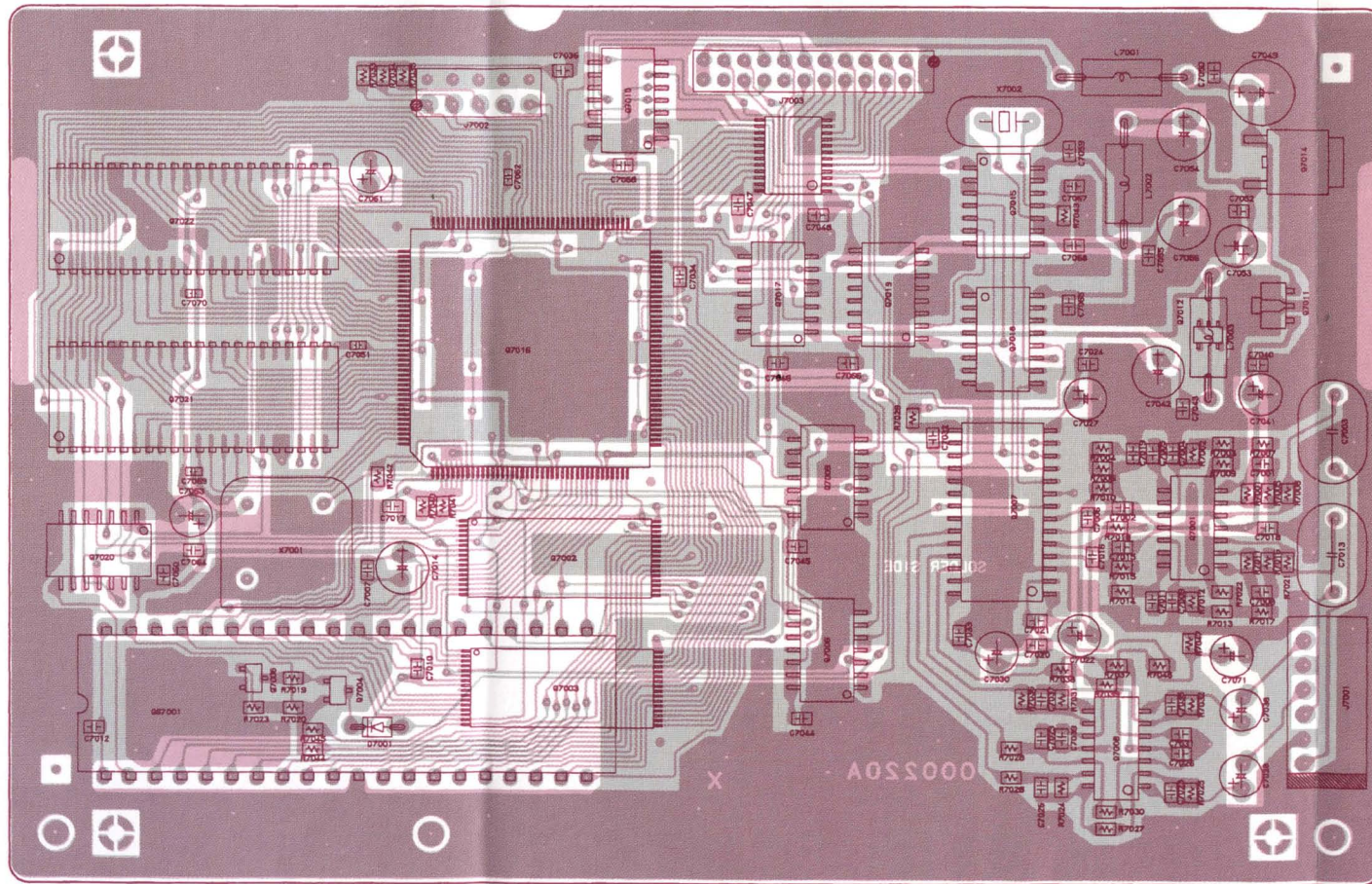
REF.	DESCRIPTION	VALUE	WV	TOL.	MFGR'S DESIG	YAESU P/N	VERS.	LOT.	LAY ADR
R 5512	CHIP RES.	47kohm	1/10W	5%	RMC1/10T 473J	J24205473			
R 5513	CHIP RES.	1Mohm	1/10W	5%	RMC1/10T 105J	J24205105			
R 5514	CHIP RES.	47kohm	1/10W	5%	RMC1/10T 473J	J24205473			
R 5515	CHIP RES.	47kohm	1/10W	5%	RMC1/10T 473J	J24205473			
R 5516	CHIP RES.	47kohm	1/10W	5%	RMC1/10T 473J	J24205473			
R 5517	CHIP RES.	47kohm	1/10W	5%	RMC1/10T 473J	J24205473			
R 5518	CHIP RES.	47kohm	1/10W	5%	RMC1/10T 473J	J24205473			
R 5519	CHIP RES.	47kohm	1/10W	5%	RMC1/10T 473J	J24205473			
R 5520	CHIP RES.	47kohm	1/10W	5%	RMC1/10T 473J	J24205473			
R 5521	CHIP RES.	47kohm	1/10W	5%	RMC1/10T 473J	J24205473			
R 5522	CHIP RES.	47kohm	1/10W	5%	RMC1/10T 473J	J24205473			
R 5523	CHIP RES.	47kohm	1/10W	5%	RMC1/10T 473J	J24205473			
R 5524	CHIP RES.	47kohm	1/10W	5%	RMC1/10T 473J	J24205473			
R 5525	CHIP RES.	47kohm	1/10W	5%	RMC1/10T 473J	J24205473			
R 5526	CHIP RES.	47kohm	1/10W	5%	RMC1/10T 473J	J24205473			
R 5527	CHIP RES.	47kohm	1/10W	5%	RMC1/10T 473J	J24205473			
R 5528	CHIP RES.	47kohm	1/10W	5%	RMC1/10T 473J	J24205473			
R 5529	CHIP RES.	47kohm	1/10W	5%	RMC1/10T 473J	J24205473			
R 5530	CHIP RES.	47kohm	1/10W	5%	RMC1/10T 473J	J24205473			
R 5531	CHIP RES.	47kohm	1/10W	5%	RMC1/10T 473J	J24205473			
R 5532	CHIP RES.	47kohm	1/10W	5%	RMC1/10T 473J	J24205473			
R 5533	CHIP RES.	47kohm	1/10W	5%	RMC1/10T 473J	J24205473			
R 5534	CHIP RES.	56kohm	1/10W	5%	RMC1/10T 563J	J24205563			
R 5535	CHIP RES.	22kohm	1/10W	5%	RMC1/10T 223J	J24205223			
R 5536	CHIP RES.	47kohm	1/10W	5%	RMC1/10T 473J	J24205473			
R 5537	CHIP RES.	47kohm	1/10W	5%	RMC1/10T 473J	J24205473			
R 5538	CHIP RES.	47kohm	1/10W	5%	RMC1/10T 473J	J24205473			
R 5539	CHIP RES.	47kohm	1/10W	5%	RMC1/10T 473J	J24205473			
R 5540	CHIP RES.	47kohm	1/10W	5%	RMC1/10T 473J	J24205473			
R 5541	CHIP RES.	47kohm	1/10W	5%	RMC1/10T 473J	J24205473			
R 5542	CHIP RES.	1kohm	1/10W	5%	RMC1/10T 102J	J24205102			
R 5543	CHIP RES.	1kohm	1/10W	5%	RMC1/10T 102J	J24205102			
R 5544	CHIP RES.	22kohm	1/10W	5%	RMC1/10T 223J	J24205223			
R 5545	CHIP RES.	4.7kohm	1/10W	5%	RMC1/10T 472J	J24205472			
R 5546	CHIP RES.	4.7kohm	1/10W	5%	RMC1/10T 472J	J24205472			
R 5547	CHIP RES.	10kohm	1/10W	5%	RMC1/10T 103J	J24205103			
R 5548	CHIP RES.	10kohm	1/10W	5%	RMC1/10T 103J	J24205103			
R 5549	CHIP RES.	100kohm	1/10W	5%	RMC1/10T 104J	J24205104			
R 5550	CHIP RES.	100kohm	1/10W	5%	RMC1/10T 104J	J24205104			
S 5501	TACT SWITCH				EVQPJX05M	N5090095			
TP5501	TERMINAL				TP-K IPS-1136	Q5000050			
TP5502	TERMINAL				TP-K IPS-1136	Q5000050			
TP5503	TERMINAL				TP-K IPS-1136	Q5000050			
TP5504	TERMINAL				TP-K IPS-1136	Q5000050			
TP5505	TERMINAL				TP-K IPS-1136	Q5000050			
TP5506	TERMINAL				TP-K IPS-1136	Q5000050			
TP5507	TERMINAL				TP-K IPS-1136	Q5000050			

Circuit Diagram



Parts Layout

13	BT	PD	HRE	HCS	J7003
5	P3	HWE	WR	RD	To MAIN Unit J2501
				A0	(See Page 5A-3)
				D6	
				D7	
				D5	
				D3	
				D2	
				D1	
				D0	
				GND	

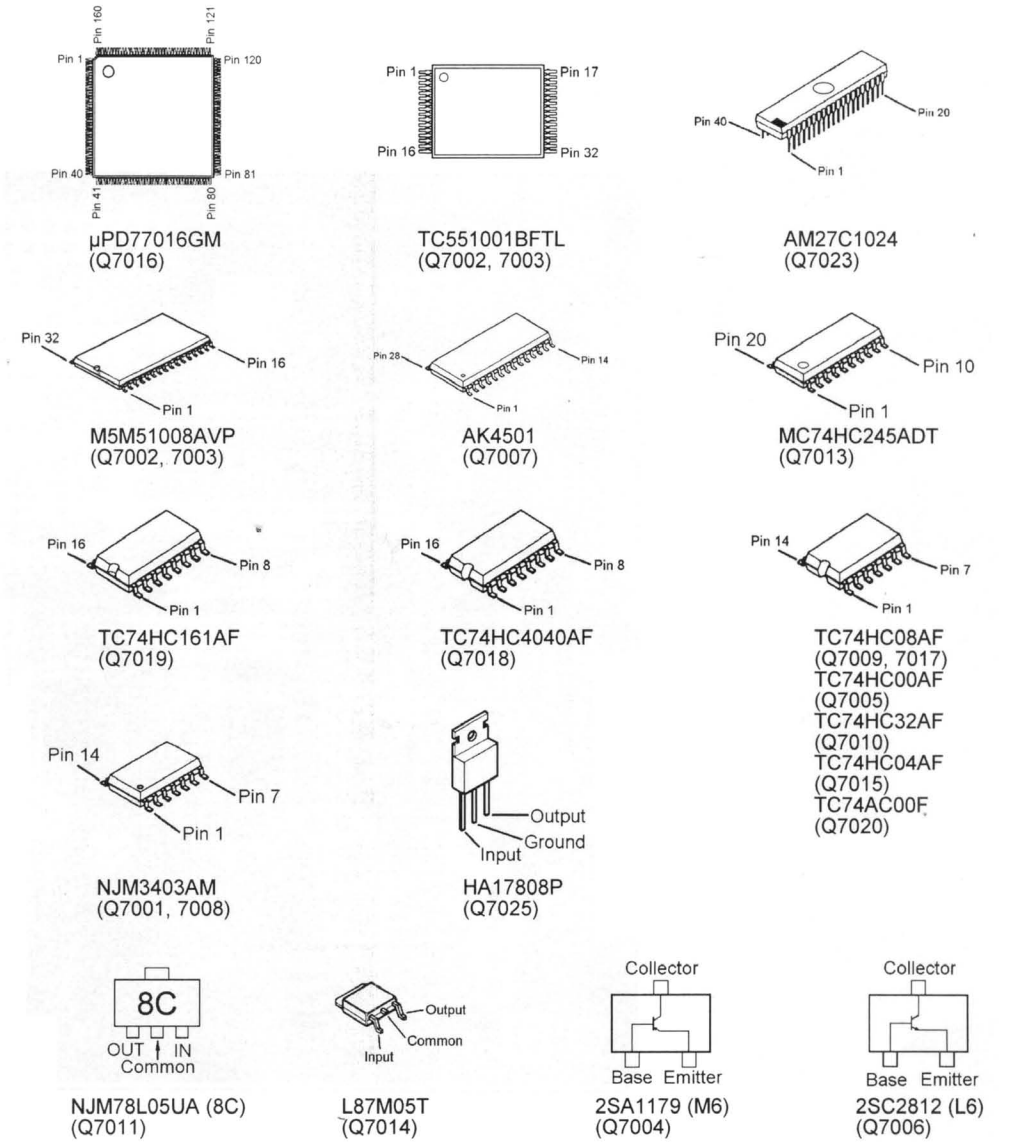


Component Side

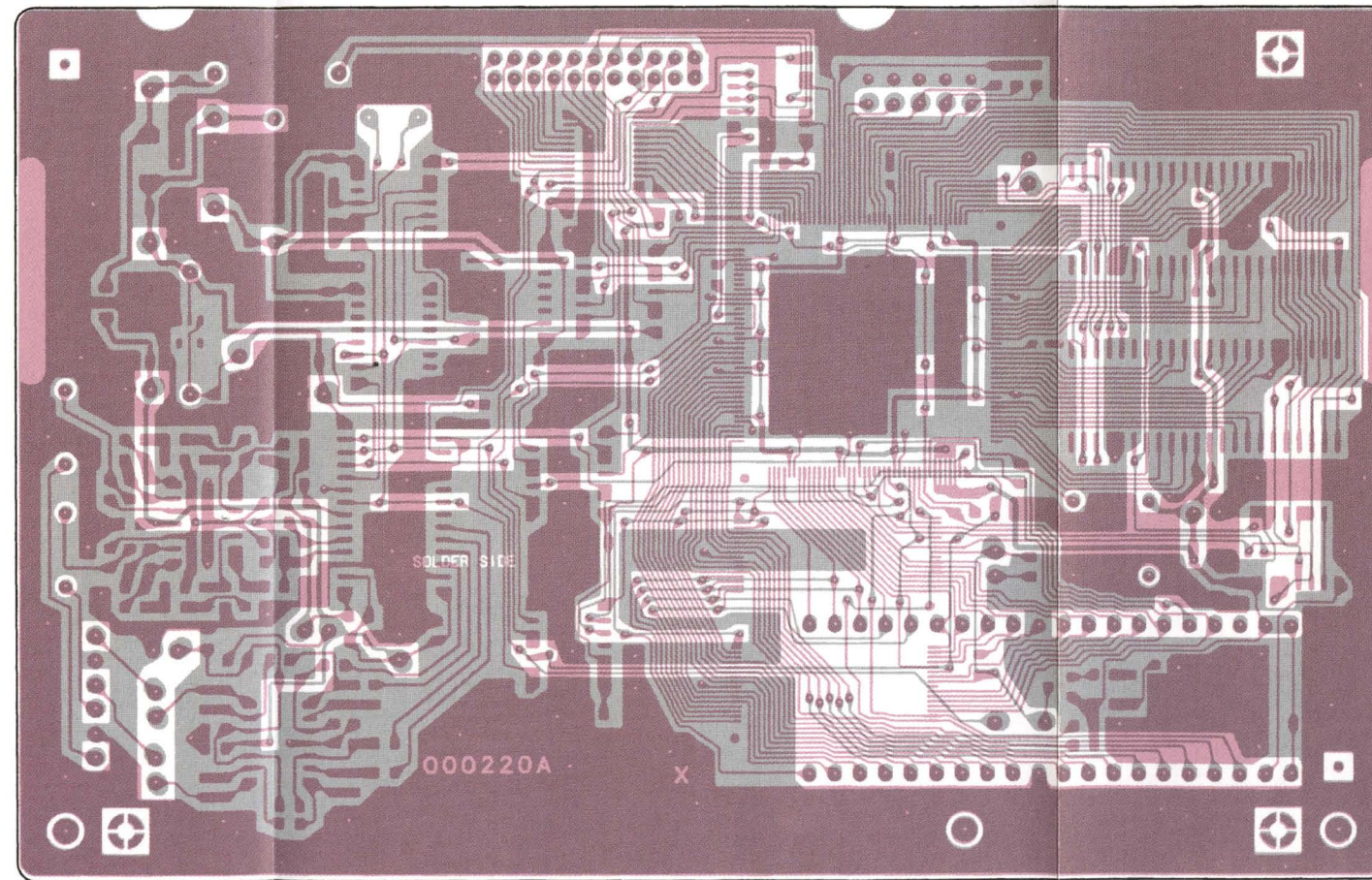
J7001
To MAIN Unit JP1007
(See Page 5A-3)

D-AF
GND
TX-AF
RX-AF
GND
D-MIC

J7001
To MAIN Unit JP1002
(See Page 5A-3)



Downloaded by
RadioAmateur.EU



Solder Side

Parts List

REF.	DESCRIPTION	VALUE	WV	TOL.	MFGR'S DESIG	YAESU P/N	VERS.	LOT.	LAY ADR
*** DSP UNIT ***									
PCB with Components						CA1605001			
Printed Circuit Board						FR000220A			
C 7002	CHIP CAP.	0.01uF	50V	B	GRM40B103M50PT	K22170817			
C 7003	FILM CAP.	0.27uF	50V		NNM274K50	K50170062			
C 7004	CHIP CAP.	0.0047uF	50V	B	GRM40B472M50PT	K22170813			
C 7005	CHIP CAP.	0.022uF	50V	B	GRM40B223M50PT	K22170821			
C 7006	CHIP CAP.	330pF	50V	CH	GRM40CH331J50PT	K22170247			
C 7007	CHIP CAP.	0.01uF	50V	B	GRM40B103M50PT	K22170817			
C 7009	CHIP CAP.	0.0047uF	50V	B	GRM40B472M50PT	K22170813			
C 7010	CHIP CAP.	0.01uF	50V	B	GRM40B103M50PT	K22170817			
C 7011	CHIP CAP.	0.022uF	50V	B	GRM40B223M50PT	K22170821			
C 7012	CHIP CAP.	0.01uF	50V	B	GRM40B103M50PT	K22170817			
C 7013	FILM CAP.	0.27uF	50V		NNM274K50	K50170062			
C 7014	AL.ELECTRO.CAP.	47uF	6.3V		6V470M5X7TR2	K46080004			
C 7015	CHIP CAP.	0.01uF	50V	B	GRM40B103M50PT	K22170817			
C 7016	CHIP CAP.	330pF	50V	CH	GRM40CH331J50PT	K22170247			
C 7017	CHIP CAP.	0.01uF	50V	B	GRM40B103M50PT	K22170817			
C 7018	CHIP CAP.	0.01uF	50V	B	GRM40B103M50PT	K22170817			
C 7019	CHIP CAP.	0.01uF	50V	B	GRM40B103M50PT	K22170817			
C 7020	CHIP CAP.	0.1uF	25V	F	GRM40F104Z25PT	K22141005			
C 7021	CHIP CAP.	0.1uF	25V	F	GRM40F104Z25PT	K22141005			
C 7022	AL.ELECTRO.CAP.	10uF	16V		16V100M4X7TR2	K46120004			
C 7023	CHIP CAP.	0.0022uF	50V	B	GRM40B222M50PT	K22170809			
C 7024	CHIP CAP.	0.01uF	50V	B	GRM40B103M50PT	K22170817			
C 7025	CHIP CAP.	0.0022uF	50V	B	GRM40B222M50PT	K22170809			
C 7026	CHIP CAP.	0.01uF	50V	B	GRM40B103M50PT	K22170817			
C 7027	AL.ELECTRO.CAP.	10uF	16V		16V100M4X7TR2	K46120004			
C 7028	AL.ELECTRO.CAP.	0.47uF	50V		50VR47M4X7TR2	K46170029			
C 7029	CHIP CAP.	0.0022uF	50V	B	GRM40B222M50PT	K22170809			
C 7030	AL.ELECTRO.CAP.	10uF	16V		16V100M4X7TR2	K46120004			
C 7031	CHIP CAP.	0.01uF	50V	B	GRM40B103M50PT	K22170817			
C 7032	CHIP CAP.	0.01uF	50V	B	GRM40B103M50PT	K22170817			
C 7033	CHIP CAP.	0.01uF	50V	B	GRM40B103M50PT	K22170817			
C 7034	CHIP CAP.	0.01uF	50V	B	GRM40B103M50PT	K22170817			
C 7035	CHIP CAP.	0.0022uF	50V	B	GRM40B222M50PT	K22170809			
C 7036	CHIP CAP.	0.01uF	50V	B	GRM40B103M50PT	K22170817			
C 7037	CHIP CAP.	0.0022uF	50V	B	GRM40B222M50PT	K22170809			
C 7038	AL.ELECTRO.CAP.	0.47uF	50V		50VR47M4X7TR2	K46170029			
C 7039	CHIP CAP.	0.0022uF	50V	B	GRM40B222M50PT	K22170809			
C 7040	CHIP CAP.	0.1uF	25V	F	GRM40F104Z25PT	K22141005			
C 7041	AL.ELECTRO.CAP.	10uF	16V		16V100M4X7TR2	K46120004			
C 7042	AL.ELECTRO.CAP.	100uF	6.3V		RC2-6V101M-T34 (5X7)	K46080006			
C 7043	CHIP CAP.	0.1uF	25V	F	GRM40F104Z25PT	K22141005			
C 7044	CHIP CAP.	0.01uF	50V	B	GRM40B103M50PT	K22170817			
C 7045	CHIP CAP.	0.01uF	50V	B	GRM40B103M50PT	K22170817			
C 7046	CHIP CAP.	0.01uF	50V	B	GRM40B103M50PT	K22170817			
C 7047	CHIP CAP.	0.01uF	50V	B	GRM40B103M50PT	K22170817			
C 7048	CHIP CAP.	0.01uF	50V	B	GRM40B103M50PT	K22170817			
C 7049	AL.ELECTRO.CAP.	10uF	16V		16V100M4X7TR2	K46120004			
C 7050	CHIP CAP.	0.1uF	25V	F	GRM40F104Z25PT	K22141005			
C 7051	CHIP CAP.	0.01uF	50V	B	GRM39B103M50PT	K22174823			
C 7052	CHIP CAP.	0.1uF	25V	F	GRM40F104Z25PT	K22141005			
C 7053	AL.ELECTRO.CAP.	10uF	16V		16V100M4X7TR2	K46120004			
C 7054	AL.ELECTRO.CAP.	100uF	6.3V		RC2-6V101M-T34 (5X7)	K46080006			
C 7055	CHIP CAP.	0.1uF	25V	F	GRM40F104Z25PT	K22141005			
C 7056	AL.ELECTRO.CAP.	100uF	6.3V		RC2-6V101M-T34 (5X7)	K46080006			
C 7058	CHIP CAP.	0.01uF	50V	B	GRM40B103M50PT	K22170817			
C 7059	CHIP CAP.	0.01uF	50V	B	GRM40B103M50PT	K22170817			
C 7060	CHIP CAP.	0.01uF	50V	B	GRM40B103M50PT	K22170817			

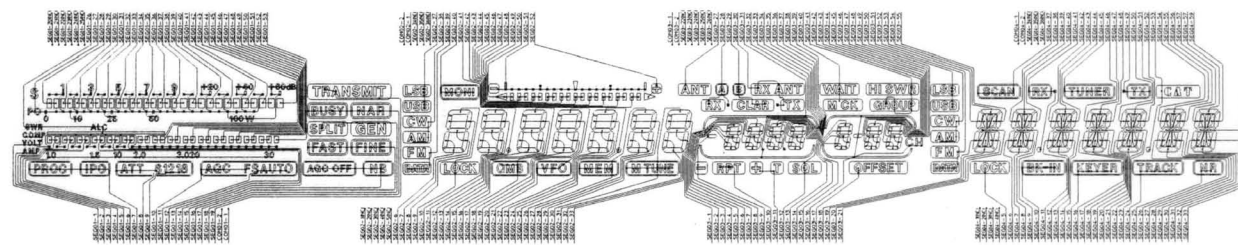
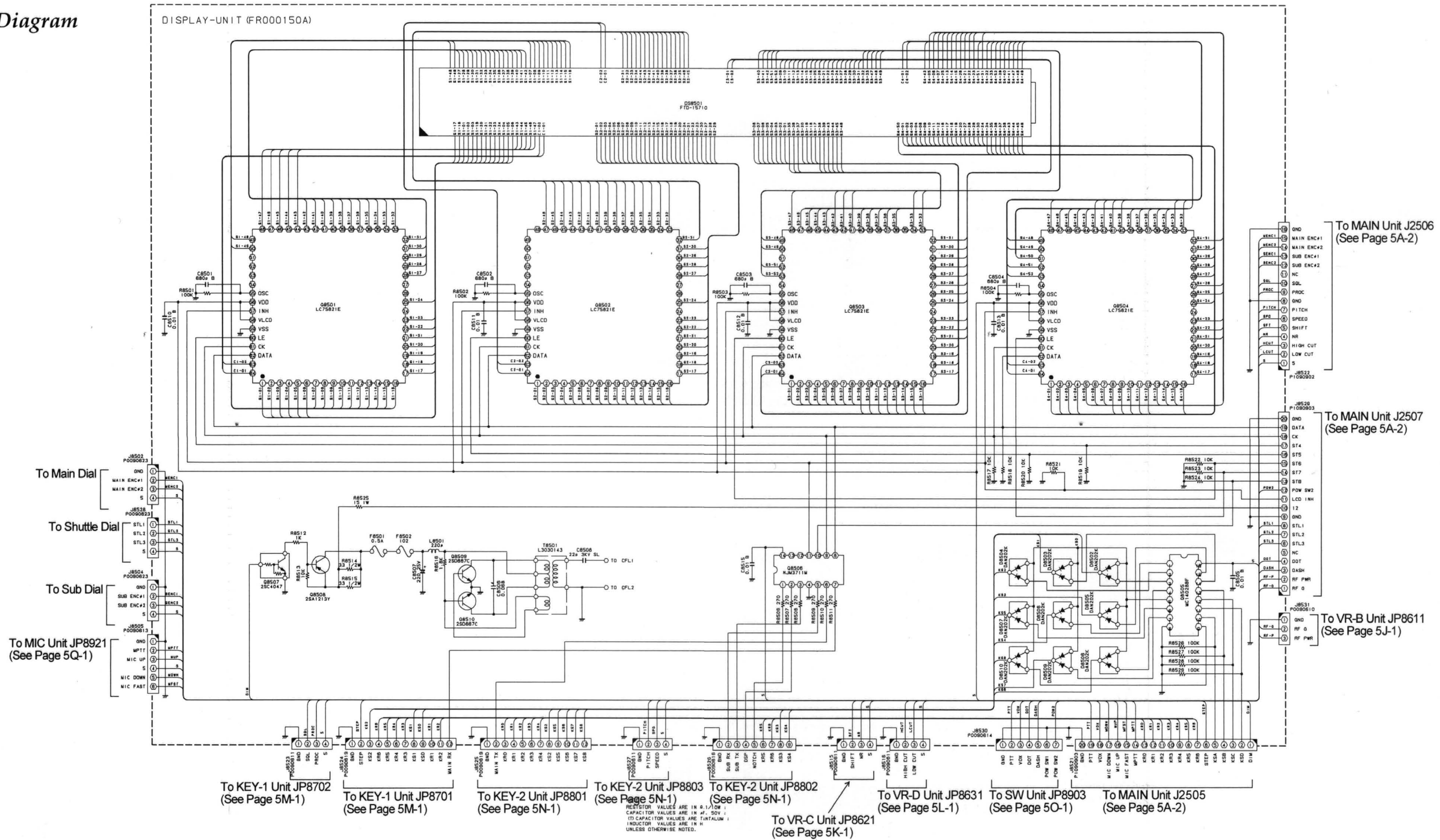
DSP Unit

REF.	DESCRIPTION	VALUE	WV	TOL.	MFGR'S DESIG	YAESU P/N	VERS.	LOT.	LAY ADR
C 7061	AL.ELECTRO.CAP.	10uF	16V		16V100M4X7TR2	K46120004			
C 7062	CHIP CAP.	0.01uF	50V	B	GRM39B103M50PT	K22174823			
C 7063	AL.ELECTRO.CAP.	10uF	16V		16V100M4X7TR2	K46120004			
C 7064	CHIP CAP.	0.01uF	50V	B	GRM40B103M50PT	K22170817			
C 7065	CHIP CAP.	0.01uF	50V	B	GRM40B103M50PT	K22170817			
C 7066	CHIP CAP.	0.01uF	50V	B	GRM40B103M50PT	K22170817			
C 7067	CHIP CAP.	7pF	50V	CH	GRM40CH070D50PT	K22170208			
C 7068	CHIP CAP.	7pF	50V	CH	GRM40CH070D50PT	K22170208			
C 7069	CHIP CAP.	0.01uF	50V	B	GRM39B103M50PT	K22174823			
C 7070	CHIP CAP.	0.01uF	50V	B	GRM39B103M50PT	K22174823			
C 7071	AL.ELECTRO.CAP.	10uF	16V		16V100M4X7TR2	K46120004			
C 7072	AL.ELECTRO.CAP.	1uF	50V		50V010M4X7TR2	K46170030			
C 7073	AL.ELECTRO.CAP.	1uF	50V		50V010M4X7TR2	K46170030			
D 7001	DIODE				1SS270TJ	G2060004			
J 7001	CONNECTOR				SC25-06WL	P0090639			
J 7003	CONNECTOR				9210B-1-12Z576-T	P0091177			
J 7004	CONNECTOR				9210B-1-12Z576-T	P0091177			
L 7002	M.RFC	100uH			LAL04NA101K	L1190133			
L 7003	M.RFC	100uH			LAL04NA101K	L1190133			
Q 7001	IC				NJM3403AM-T1	G1091814			
Q 7002	IC				TC551001BFTL-10V (S	G1092082			
Q 7003	IC				TC551001BFTL-10V (S	G1092082			
Q 7004	TRANSISTOR				2SA1179M6-TA	G3111797F			
Q 7005	IC				TC74HC00AF TP2	G1091060			
Q 7006	TRANSISTOR				2SC2812L6-TA	G3328127F			
Q 7007	IC				AK4501-VS	G1091943			
Q 7008	IC				NJM3403AM-T1	G1091814			
Q 7009	IC				TC74HC08AF TP2	G1090975			
Q 7010	IC				TC74HC32AF TP2	G1091061			
Q 7011	IC				NJM78L05UA TE2	G1091325			
Q 7013	IC				MC74HC245ADT EL	G1092536			
Q 7014	IC				L78M05T-TL	G1091731			
Q 7015	IC				TC74HC04AF TP2	G1091228			
Q 7016	IC				UPD77016GM-KMD	G1092034			
Q 7017	IC				TC74HC08AF TP2	G1090975			
Q 7018	IC				TC74HC4040AF TP2	G1091457			
Q 7019	IC				TC74HC161AF TP2	G1091227			
Q 7020	IC				TC74AC00F (EL)	G1091390			
Q 7023	IC				M27C1024-12F1 R0152	G1092637			
Q 7025	IC				HA17808P	G1090938			
QS7001	IC SOCKET				XR2C-2011-N	P3090100			
QS7002	IC SOCKET				XR2C-2011-N	P3090100			
R 7001	CHIP RES.	33kohm	1/10W	5%	RMC1/10T 333J	J24205333			
R 7002	CHIP RES.	3.9kohm	1/10W	5%	RMC1/10T 392J	J24205392			
R 7003	CHIP RES.	3.9kohm	1/10W	5%	RMC1/10T 392J	J24205392			
R 7004	CHIP RES.	3.9kohm	1/10W	5%	RMC1/10T 392J	J24205392			
R 7005	CHIP RES.	3.9kohm	1/10W	5%	RMC1/10T 392J	J24205392			
R 7007	CHIP RES.	0ohm	1/10W	5%	RMC1/10T 000J	J24205000			
R 7008	CHIP RES.	8.2kohm	1/10W	5%	RMC1/10T 822J	J24205822			
R 7010	CHIP RES.	0ohm	1/10W	5%	RMC1/10T 000J	J24205000			
R 7011	CHIP RES.	470kohm	1/10W	5%	RMC1/10T 474J	J24205474			
R 7012	CHIP RES.	3.9kohm	1/10W	5%	RMC1/10T 392J	J24205392			
R 7013	CHIP RES.	3.9kohm	1/10W	5%	RMC1/10T 392J	J24205392			
R 7014	CHIP RES.	3.9kohm	1/10W	5%	RMC1/10T 392J	J24205392			
R 7016	CHIP RES.	33kohm	1/10W	5%	RMC1/10T 333J	J24205333			
R 7017	CHIP RES.	0ohm	1/10W	5%	RMC1/10T 000J	J24205000			
R 7018	CHIP RES.	0ohm	1/10W	5%	RMC1/10T 000J	J24205000			
R 7019	CHIP RES.	4.7kohm	1/10W	5%	RMC1/10T 472J	J24205472			
R 7020	CHIP RES.	22kohm	1/10W	5%	RMC1/10T 223J	J24205223			
R 7021	CHIP RES.	8.2kohm	1/10W	5%	RMC1/10T 822J	J24205822			

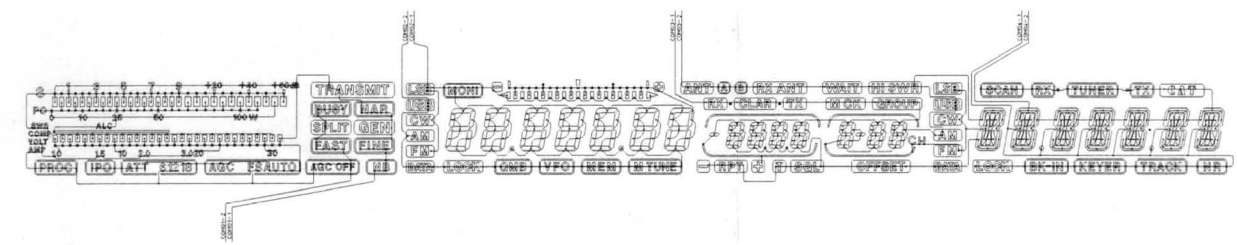
REF.	DESCRIPTION	VALUE	WV	TOL.	MFGR'S DESIG	YAESU P/N	VERS.	LOT.	LAY ADR
R 7023	CHIP RES.	3.3kohm	1/10W	5%	RMC1/10T 332J	J24205332			
R 7024	CHIP RES.	10kohm	1/10W	5%	RMC1/10T 103J	J24205103			
R 7025	CHIP RES.	10kohm	1/10W	5%	RMC1/10T 103J	J24205103			
R 7026	CHIP RES.	10kohm	1/10W	5%	RMC1/10T 103J	J24205103			
R 7027	CHIP RES.	10kohm	1/10W	5%	RMC1/10T 103J	J24205103			
R 7028	CHIP RES.	10kohm	1/10W	5%	RMC1/10T 103J	J24205103			
R 7029	CHIP RES.	10ohm	1/10W	5%	RMC1/10T 100J	J24205100			
R 7030	CHIP RES.	10kohm	1/10W	5%	RMC1/10T 103J	J24205103			
R 7031	CHIP RES.	10kohm	1/10W	5%	RMC1/10T 103J	J24205103			
R 7032	CHIP RES.	10kohm	1/10W	5%	RMC1/10T 103J	J24205103			
R 7033	CHIP RES.	10kohm	1/10W	5%	RMC1/10T 103J	J24205103			
R 7034	CHIP RES.	10kohm	1/10W	5%	RMC1/10T 103J	J24205103			
R 7035	CHIP RES.	10kohm	1/10W	5%	RMC1/10T 103J	J24205103			
R 7036	CHIP RES.	10kohm	1/10W	5%	RMC1/10T 103J	J24205103			
R 7037	CHIP RES.	10kohm	1/10W	5%	RMC1/10T 103J	J24205103			
R 7038	CHIP RES.	10kohm	1/10W	5%	RMC1/10T 103J	J24205103			
R 7039	CHIP RES.	10kohm	1/10W	5%	RMC1/10T 103J	J24205103			
R 7040	CHIP RES.	10kohm	1/10W	5%	RMC1/10T 103J	J24205103			
R 7041	CHIP RES.	10kohm	1/10W	5%	RMC1/10T 103J	J24205103			
R 7042	CHIP RES.	2.2kohm	1/10W	5%	RMC1/10T 222J	J24205222			
R 7043	CHIP RES.	100kohm	1/10W	5%	RMC1/10T 104J	J24205104			
R 7044	CHIP RES.	47kohm	1/10W	5%	RMC1/10T 473J	J24205473			
R 7045	CHIP RES.	47kohm	1/10W	5%	RMC1/10T 473J	J24205473			
R 7046	CHIP RES.	4.7kohm	1/10W	5%	RMC1/10T 472J	J24205472			
R 7047	CHIP RES.	4.7kohm	1/10W	5%	RMC1/10T 472J	J24205472			
R 7048	CARBON FILM RES.	22kohm	1/6W	5%	RD16PJ223 22K	J01225223			
R 7049	CARBON FILM RES.	47kohm	1/6W	5%	RD16PJ473 47K	J01225473			
R 7050	CARBON FILM RES.	56ohm	1/6W	5%	RD16UJ560 56	J02225560			
X 7001	XTAL OSC	66.666MHz			NTO-764DC-66.666MHZ	H9500270			
X 7002	XTAL HC-49/T	12.288MHz			12.288MHZ	H0102937			
Z 7001	SHIELD CASE				(DSP)	RA0006000			
Z 7002	SHIELD CASE COVER				(DSP)	RA0006100			

Page 5G-8 is BLANK and not included in this scan!

Circuit Diagram

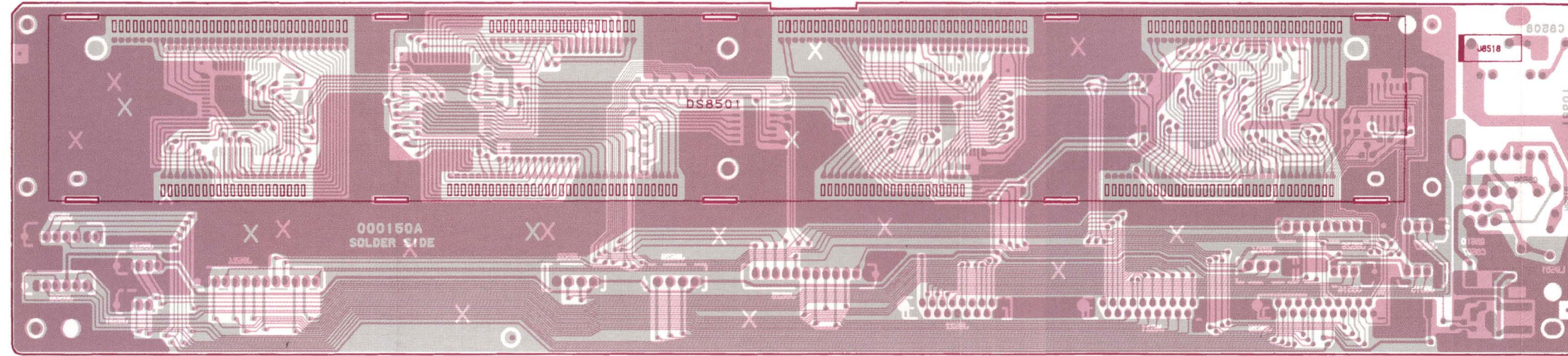


LCD Segmentation Circuit Diagram

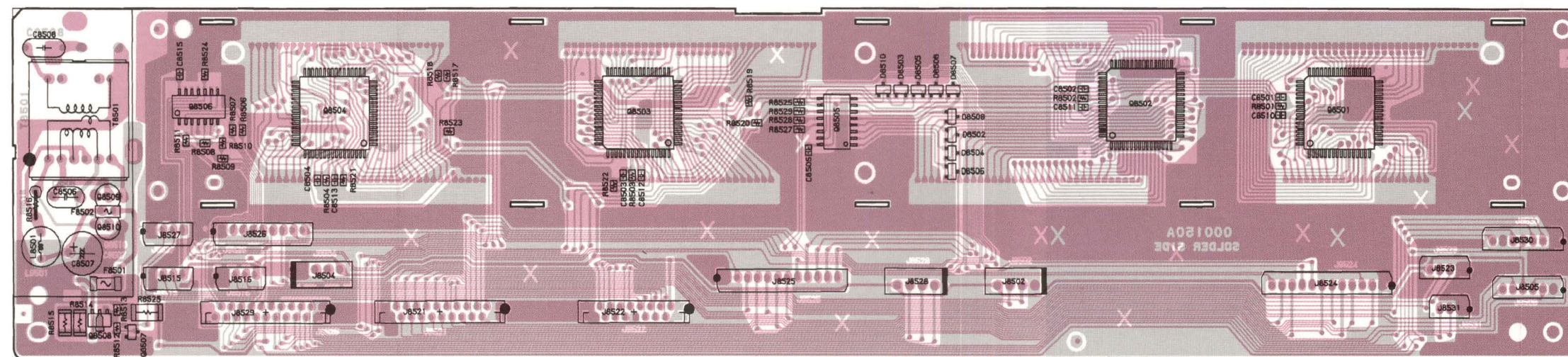
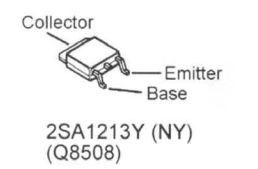
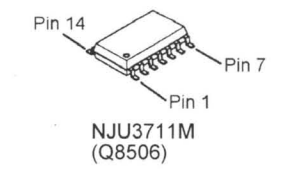
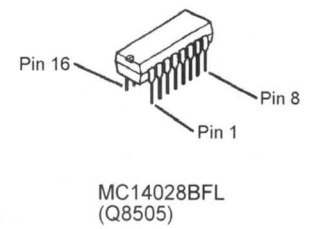
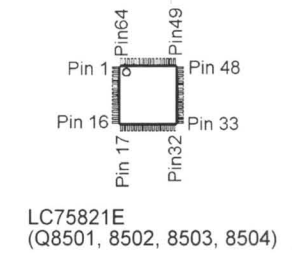


LCD Backplane Circuit Diagram

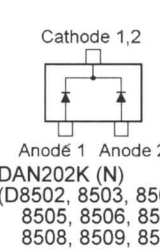
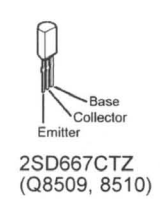
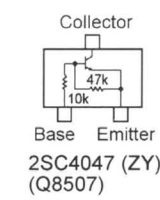
Parts Layout



LCD Side



Component Side



J8527
To KEY-2 Unit JP8803
(See Page 5N-3)



J8526
To KEY-2 Unit JP8802
(See Page 5N-3)

J8515
To VR-C Unit JP8621
(See Page 5K-1)

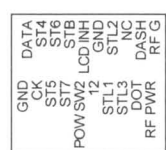


J8504
To Sub Dial

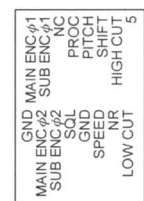
J8516
To VR-D Unit JP8631
(See Page 5L-1)



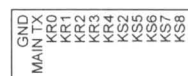
J8521
To MAIN Unit J2505
(See Page 5A-3)



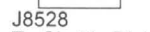
J8529
To MAIN Unit J2507
(See Page 5A-3)



J8522
To MAIN Unit J2506
(See Page 5A-3)



J8525
To KEY-2 Unit JP8801
(See Page 5N-3)

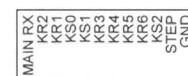


J8528
To Shuttle Dial



J8502
To Main Dial

J8524
To KEY-1 Unit JP8701
(See Page 5M-3)



J8523
To KEY-1 Unit JP8702
(See Page 5M-3)



J8531
To VR-B Unit JP8611
(See Page 5J-1)



J8505
To MIC Unit JP8921
(See Page 5Q-1)



J8530
To SW Unit JP8903
(See Page 5O-1)

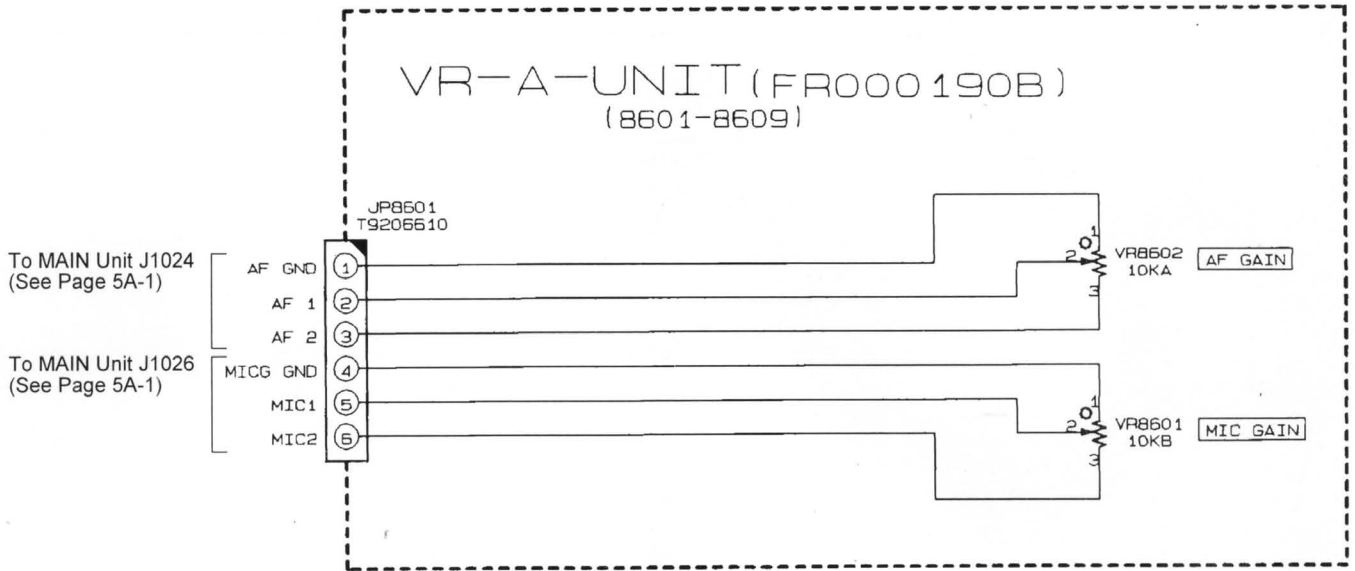
Parts List

REF.	DESCRIPTION	VALUE	VV	TOL.	MFGR'S DESIG	YAESU P/N	VERS.	LOT.	LAY ADR
*** DISPLAY UNIT ***									
PCB with Components						CA1617001			
Printed Circuit Board						FR000150A			
C 8501	CHIP CAP.	680pF	50V	B	GRM40B681M50PT	K22170803			
C 8502	CHIP CAP.	680pF	50V	B	GRM40B681M50PT	K22170803			
C 8503	CHIP CAP.	680pF	50V	B	GRM40B681M50PT	K22170803			
C 8504	CHIP CAP.	680pF	50V	B	GRM40B681M50PT	K22170803			
C 8505	CHIP CAP.	0.01uF	50V	B	GRM40B103M50PT	K22170817			
C 8506	FILM CAP.	0.068uF	50V		NNMTP683K50	K56170025			
C 8507	AL.ELECTRO.CAP.	220uF	25V		25V221M8X11TR5	K46140006			
C 8508	CERAMIC CAP.	22pF	3KV	SL	DE0507SL220J3K	K00359006			
C 8510	CHIP CAP.	0.01uF	50V	B	GRM40B103M50PT	K22170817			
C 8511	CHIP CAP.	0.01uF	50V	B	GRM40B103M50PT	K22170817			
C 8512	CHIP CAP.	0.01uF	50V	B	GRM40B103M50PT	K22170817			
C 8513	CHIP CAP.	0.01uF	50V	B	GRM40B103M50PT	K22170817			
C 8515	CHIP CAP.	0.01uF	50V	B	GRM40B103M50PT	K22170817			
D 8502	DIODE				DAN202K T146	G2070182			
D 8503	DIODE				DAN202K T146	G2070182			
D 8504	DIODE				DAN202K T146	G2070182			
D 8505	DIODE				DAN202K T146	G2070182			
D 8506	DIODE				DAN202K T146	G2070182			
D 8507	DIODE				DAN202K T146	G2070182			
D 8508	DIODE				DAN202K T146	G2070182			
D 8509	DIODE				DAN202K T146	G2070182			
D 8510	DIODE				DAN202K T146	G2070182			
DS8501	LCD				FTD-15710	G6090123			
F 8501	CHIP FUSE	0.5A			451.5	Q0000047			
F 8502	THERMAL FUSE	102			EYP2BH102	Q0000065			
J 8502	CONNECTOR				SC25-04WS	P0090623			
J 8504	CONNECTOR				SC25-04WS	P0090623			
J 8505	CONNECTOR				SB20-06WS	P0090613			
J 8515	CONNECTOR				SB20-04WS	P0090611			
J 8516	CONNECTOR				SB20-04WS	P0090611			
J 8521	CONNECTOR				20FMZ-BT	P1090903			
J 8522	CONNECTOR				16FMZ-BT	P1090902			
J 8523	CONNECTOR				SB20-04WS	P0090611			
J 8524	CONNECTOR				SB20-12WS	P0090619			
J 8525	CONNECTOR				SB20-12WS	P0090619			
J 8526	CONNECTOR				SB20-09WS	P0090616			
J 8527	CONNECTOR				SB20-04WS	P0090611			
J 8528	CONNECTOR				SC25-04WS	P0090623			
J 8529	CONNECTOR				20FMZ-BT	P1090903			
J 8530	CONNECTOR				SB20-07WS	P0090614			
J 8531	CONNECTOR				SB20-03WS	P0090610			
L 8501	M.RFC	220uH			RCH-895 221K	L1190402			
Q 8501	IC				LC75821E	G1092191			
Q 8502	IC				LC75821E	G1092191			
Q 8503	IC				LC75821E	G1092191			
Q 8504	IC				LC75821E	G1092191			
Q 8505	IC				MC14028BFL	G1090998			
Q 8506	IC				NJU3711M-T1	G1092527			
Q 8507	TRANSISTOR				2SC4047-TA	G3340477			
Q 8508	TRANSISTOR				2SA1213Y TE12R	G3112137Y			
Q 8509	TRANSISTOR				2SD667C TZ	G3406674C			
Q 8510	TRANSISTOR				2SD667C TZ	G3406674C			
R 8501	CHIP RES.	100kohm	1/10W	5%	RMC1/10T 104J	J24205104			
R 8502	CHIP RES.	100kohm	1/10W	5%	RMC1/10T 104J	J24205104			
R 8503	CHIP RES.	100kohm	1/10W	5%	RMC1/10T 104J	J24205104			
R 8504	CHIP RES.	100kohm	1/10W	5%	RMC1/10T 104J	J24205104			
R 8506	CHIP RES.	270ohm	1/10W	5%	RMC1/10T 271J	J24205271			

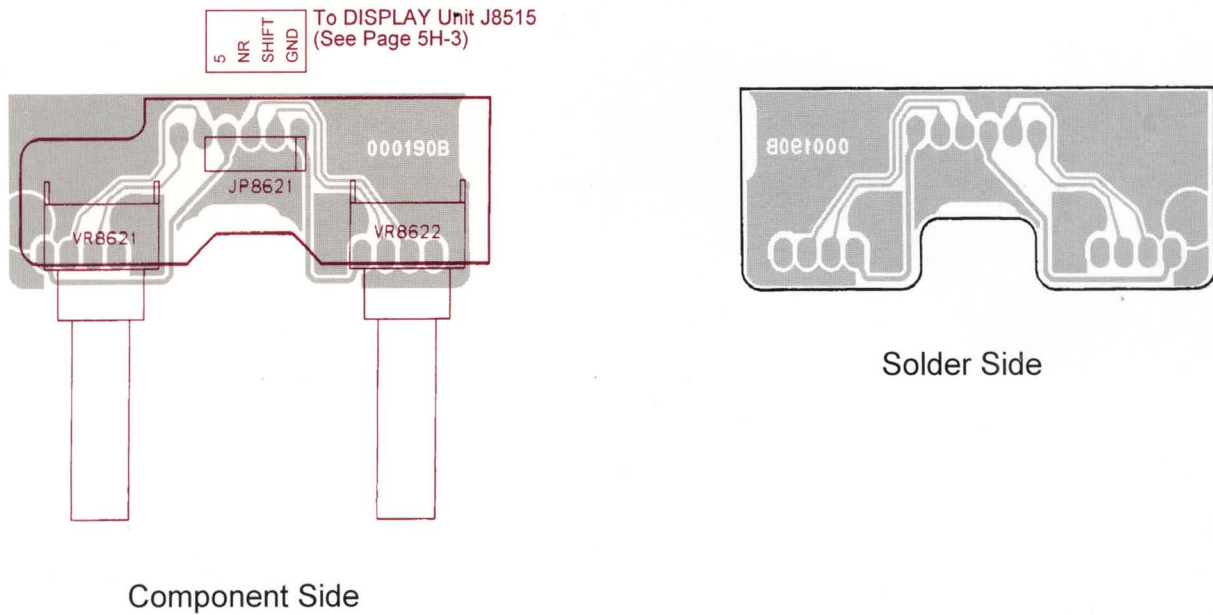
DISPLAY Unit

REF.	DESCRIPTION	VALUE	WV	TOL.	MFGR'S DESIG	YAESU P/N	VERS.	LOT.	LAY ADR
R 8507	CHIP RES.	270ohm	1/10W	5%	RMC1/10T 271J	J24205271			
R 8508	CHIP RES.	270ohm	1/10W	5%	RMC1/10T 271J	J24205271			
R 8509	CHIP RES.	270ohm	1/10W	5%	RMC1/10T 271J	J24205271			
R 8510	CHIP RES.	270ohm	1/10W	5%	RMC1/10T 271J	J24205271			
R 8511	CHIP RES.	270ohm	1/10W	5%	RMC1/10T 271J	J24205271			
R 8512	CHIP RES.	1kohm	1/10W	5%	RMC1/10T 102J	J24205102			
R 8513	CHIP RES.	10kohm	1/10W	5%	RMC1/10T 103J	J24205103			
R 8514	CHIP RES.	33ohm	1/2W	5%	RMC1/2 330JCTP	J24275330			
R 8515	CHIP RES.	33ohm	1/2W	5%	RMC1/2 330JCTP	J24275330			
R 8516	CARBON FILM RES.	1.8kohm	1/4W	5%	RD25UJ182T 1.8K	J06245182			
R 8517	CHIP RES.	10kohm	1/10W	5%	RMC1/10T 103J	J24205103			
R 8518	CHIP RES.	10kohm	1/10W	5%	RMC1/10T 103J	J24205103			
R 8519	CHIP RES.	10kohm	1/10W	5%	RMC1/10T 103J	J24205103			
R 8520	CHIP RES.	10kohm	1/10W	5%	RMC1/10T 103J	J24205103			
R 8521	CHIP RES.	10kohm	1/10W	5%	RMC1/10T 103J	J24205103			
R 8522	CHIP RES.	10kohm	1/10W	5%	RMC1/10T 103J	J24205103			
R 8523	CHIP RES.	10kohm	1/10W	5%	RMC1/10T 103J	J24205103			
R 8524	CHIP RES.	10kohm	1/10W	5%	RMC1/10T 103J	J24205103			
R 8525	CHIP RES.	15ohm	1W	5%	RMC1 150JTE	J24305150			
R 8526	CHIP RES.	100kohm	1/10W	5%	RMC1/10T 104J	J24205104			
R 8527	CHIP RES.	100kohm	1/10W	5%	RMC1/10T 104J	J24205104			
R 8528	CHIP RES.	100kohm	1/10W	5%	RMC1/10T 104J	J24205104			
R 8529	CHIP RES.	100kohm	1/10W	5%	RMC1/10T 104J	J24205104			
T 8501	INV TRANS.				EP208B 3318-087	L3030143			
Z 8501	LIGHT GUIDE					R3521160			
Z 8502	HOLDER					R0521150			
Z 8503	SHEET				(CFL)	R8151451			
Z 8504	INTER CONNECTOR					RA0006200			
Z 8505	COLOR FILTER					RA0010800			

Circuit Diagram



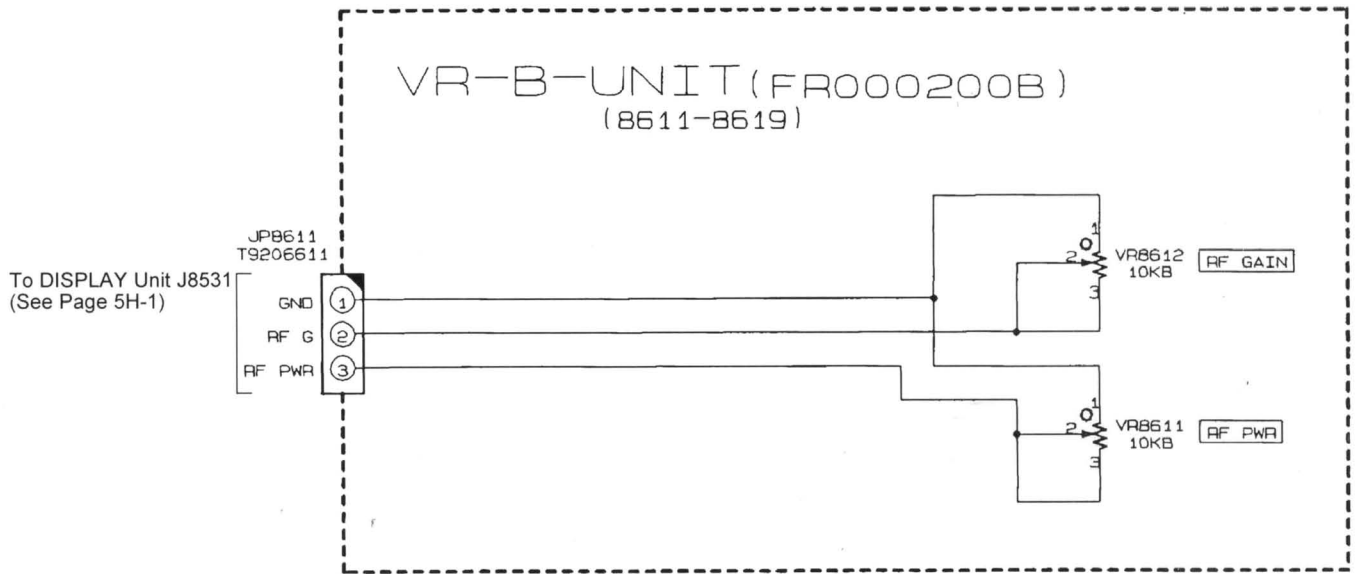
Parts Layout



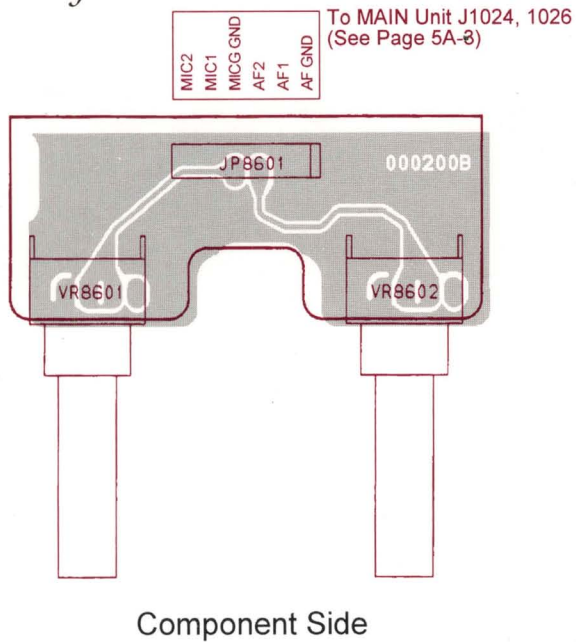
Parts List

REF.	DESCRIPTION	VALUE	WV	TOL.	MFGR'S DESIG	YAESU P/N	VERS.	LOT.	LAY ADR
*** VR-A UNIT ***									
	PCB with Components					CA1620001			
	Printed Circuit Board					FR000190B			
JP8601	WIRE ASSY				A0734	T9206610			
VR8601	POT.				RK11K112 10KB	J60800221			
VR8602	POT.				RK11K112 10KA	J60800220			

Circuit Diagram



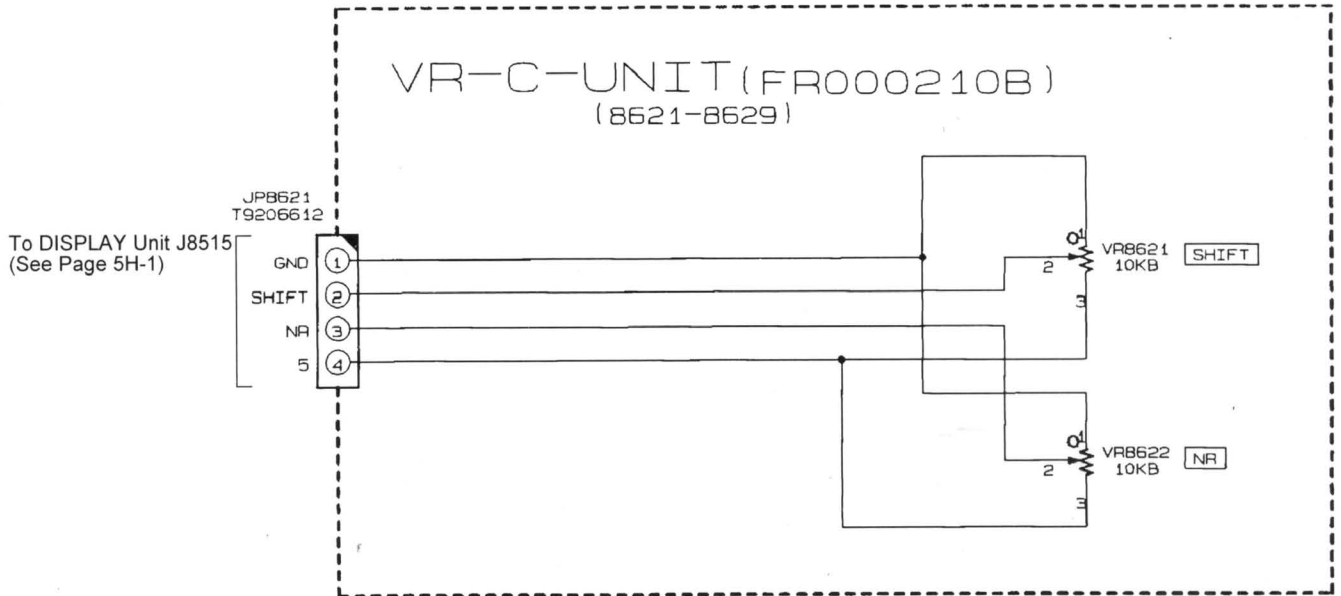
Parts Layout



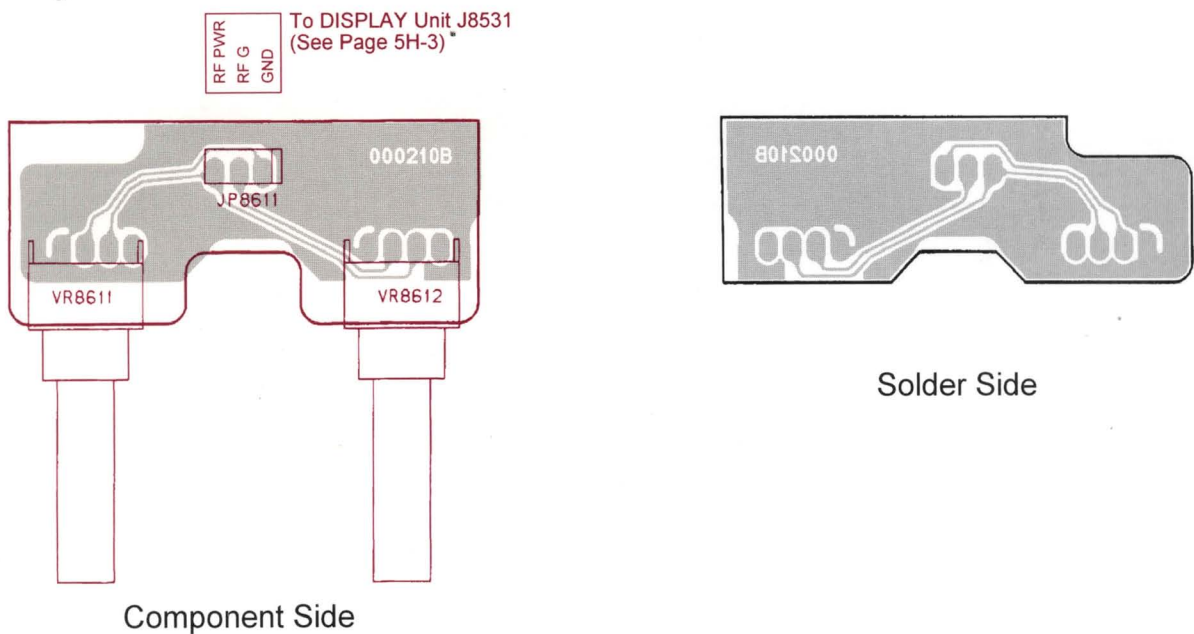
Parts List

REF.	DESCRIPTION	VALUE	WV	TOL.	MFGR'S DESIG	YAESU P/N	VERS.	LOT.	LAY ADR
*** VR-B UNIT ***									
	PCB with Components					CA1621001			
	Printed Circuit Board					FR000200B			
JP8611	WIRE ASSY				A0734	T9206611			
VR8611	POT.				RK11K112 10KB	J60800221			
VR8612	POT.				RK11K112 10KB	J60800221			

Circuit Diagram



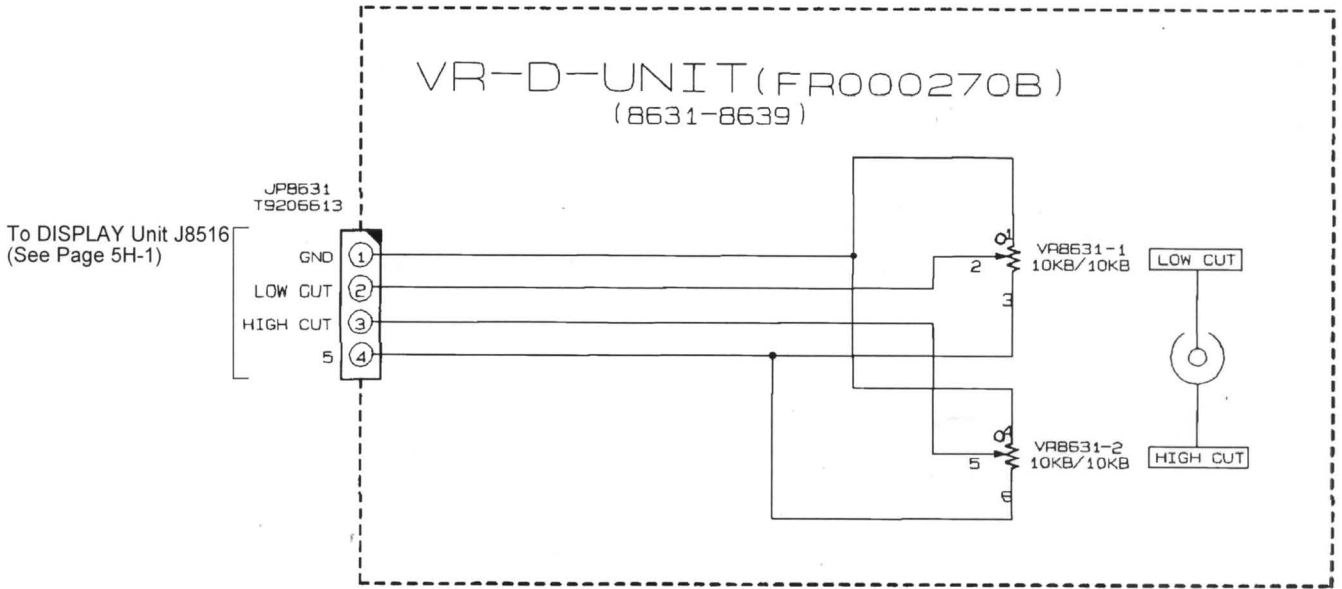
Parts Layout



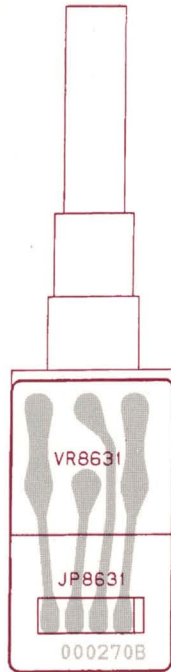
Parts List

REF.	DESCRIPTION	VALUE	WV	TOL.	MFGR'S DESIG	YAESU P/N	VERS.	LOT.	LAY ADR
*** VR-C UNIT ***									
	PCB with Components					CA1622001			
	Printed Circuit Board					FR000210B			
JP8621	WIRE ASSY				A0734	T9206612			
VR8621	POT.				RK11K112 10KB CLICK	J60800222			
VR8622	POT.				RK11K112 10KB	J60800221			

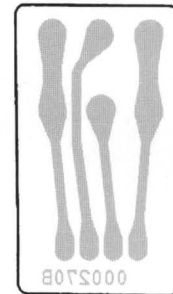
Circuit Diagram



Parts Layout



Component Side



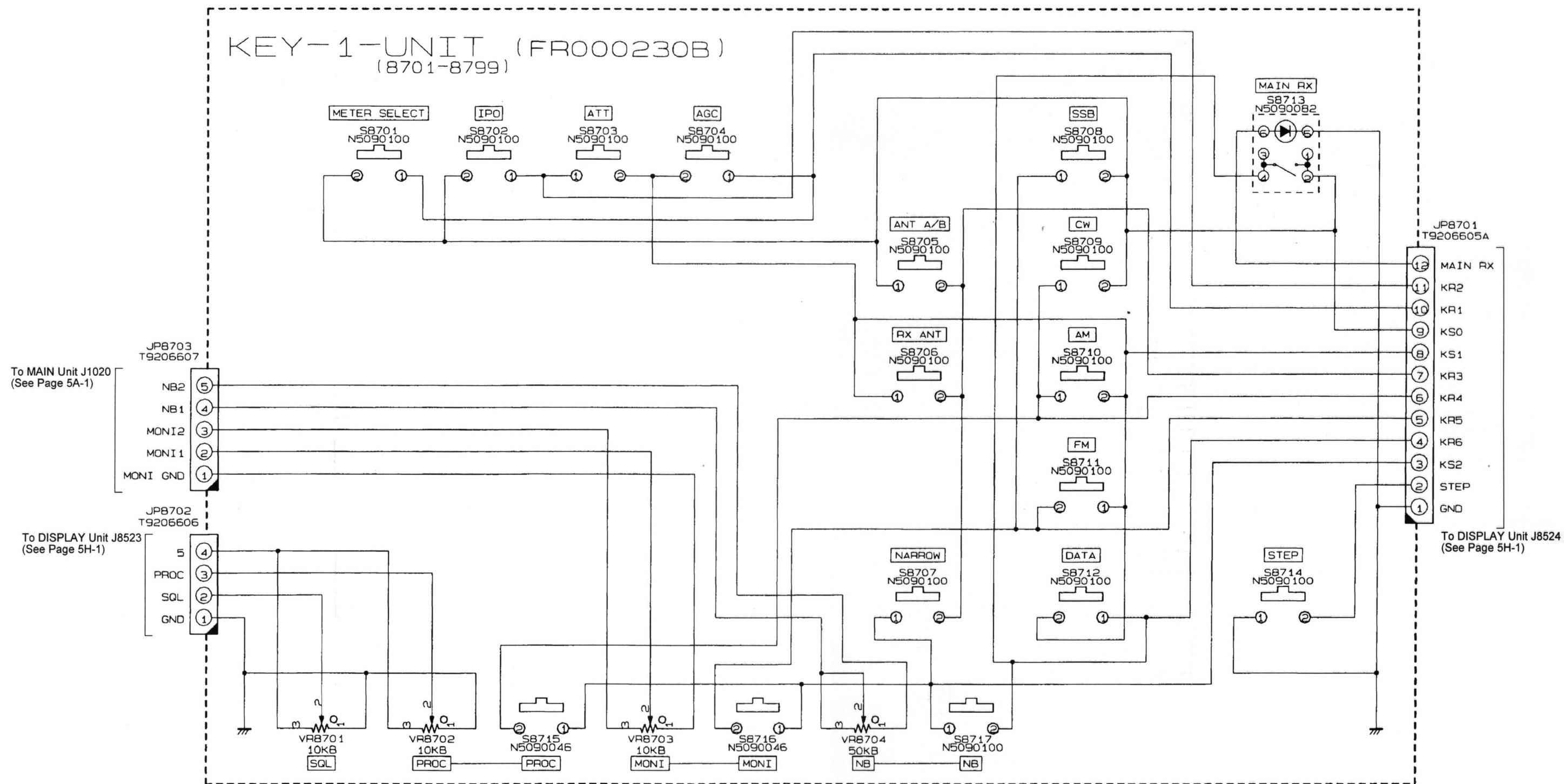
Solder Side



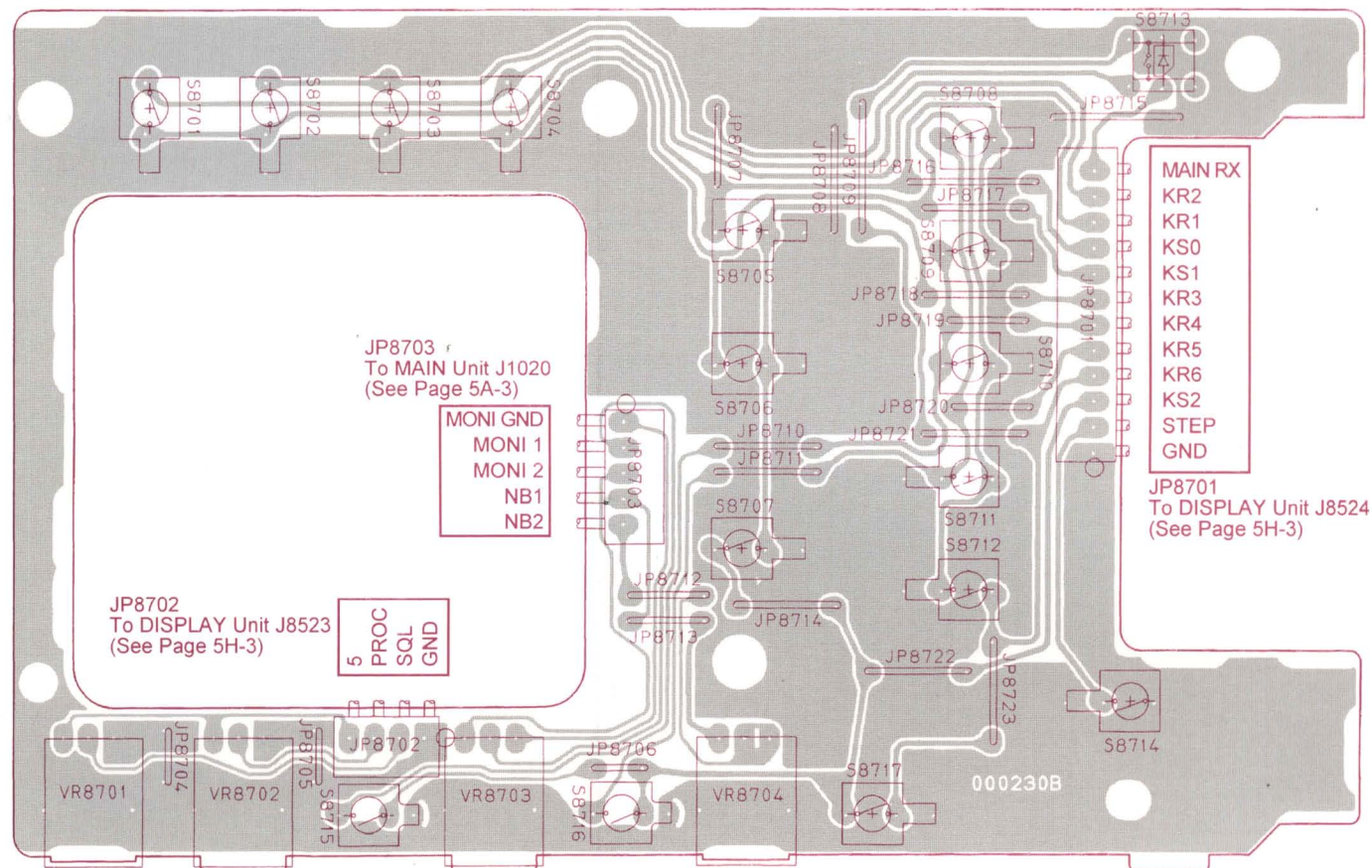
Parts List

REF.	DESCRIPTION	VALUE	WV	TOL.	MFGR'S DESIG	YAESU P/N	VERS.	LOT.	LAY ADR
*** VR-D UNIT ***									
	PCB with Components					CA1623001			
	Printed Circuit Board					FR000270B			
JP8631	WIRE ASSY				A0734	T9206613			
VR8631	POT.				RK1612210 10KB/10KB	J62800133			

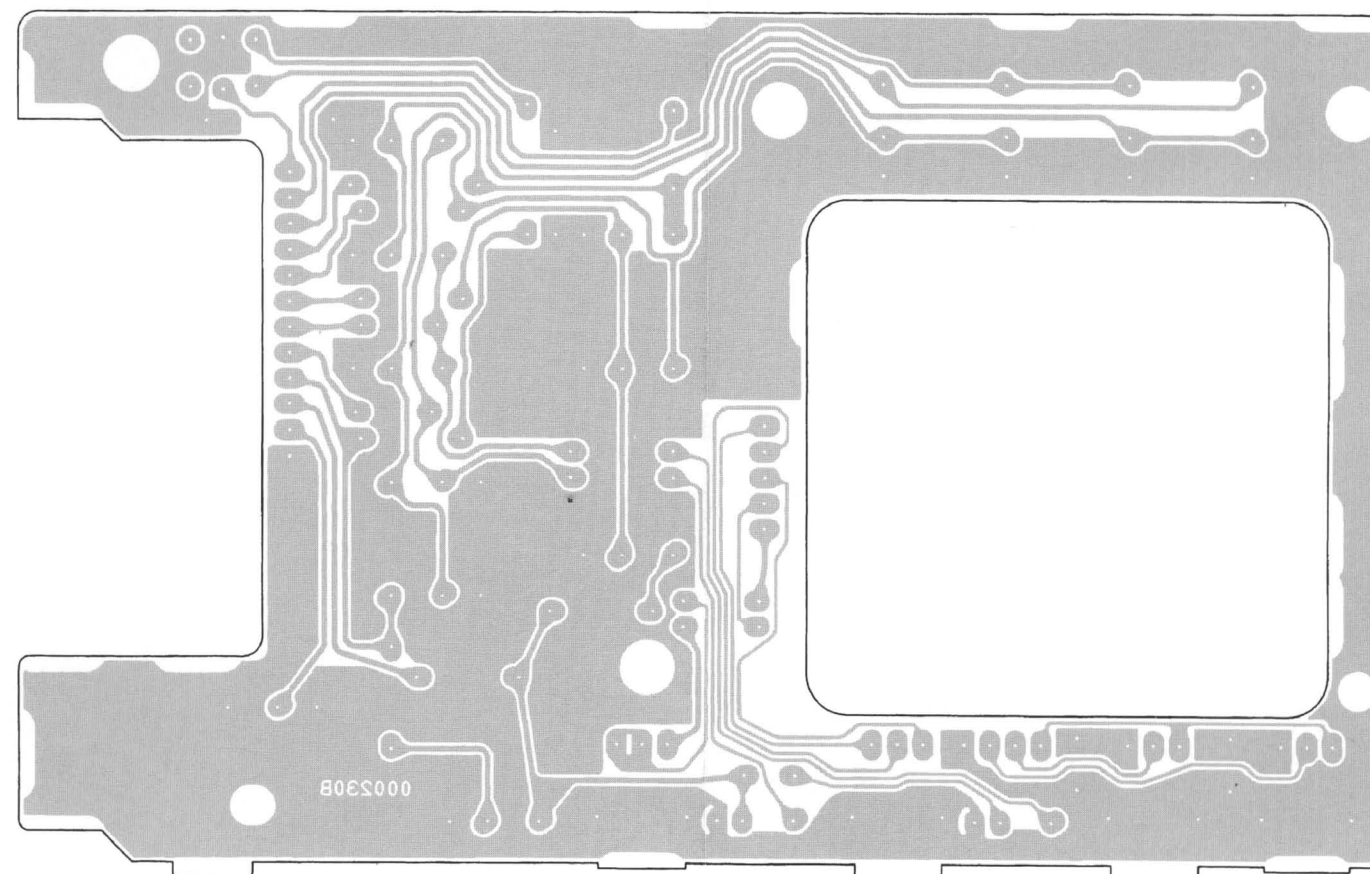
Circuit Diagram



Parts Layout



Component Side



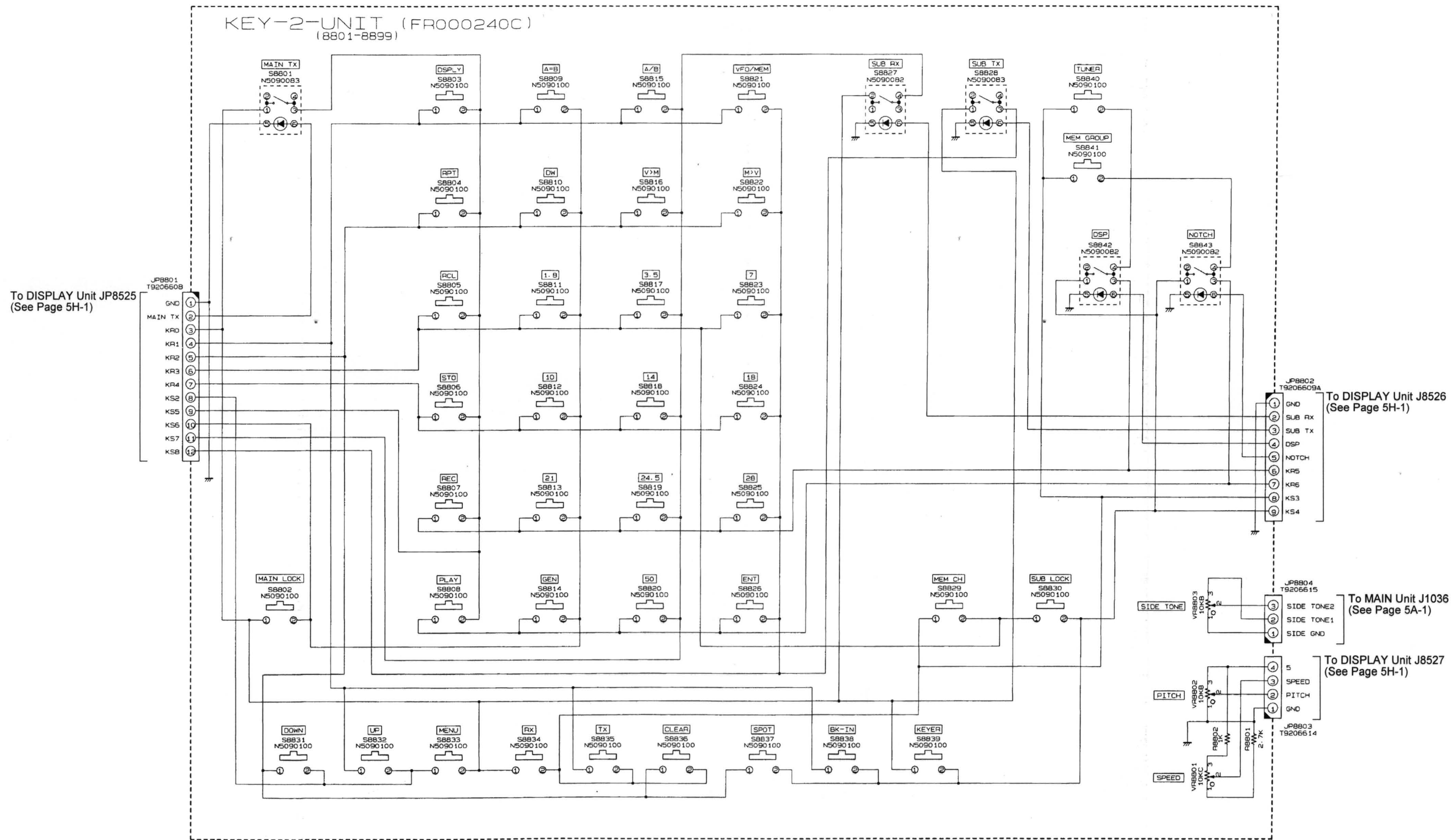
Solder Side

Parts List

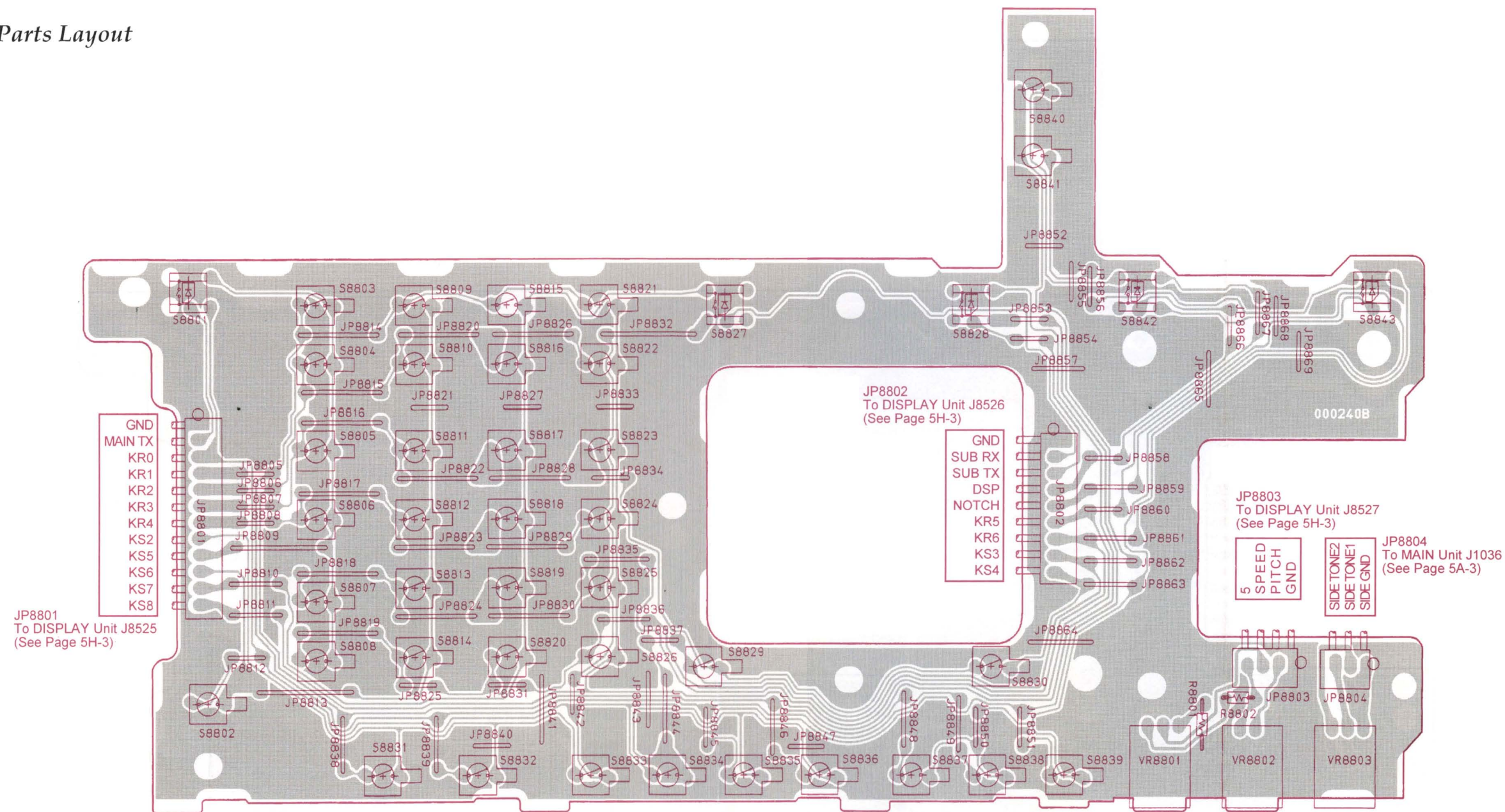
REF.	DESCRIPTION	VALUE	WV	TOL.	MFGR'S DESIG	YAESU P/N	VERS.	LOT.	LAY ADR
*** KEY-1 UNIT ***									
PCB with Components						CA1626001			
Printed Circuit Board						FR000230B			
JP8701	WIRE ASSY				A0734	T9206605A			
JP8702	WIRE ASSY				A0734	T9206606			
JP8703	WIRE ASSY				A0734	T9206607			
S 8701	TACT SWITCH				SKHVPD	N5090100			
S 8702	TACT SWITCH				SKHVPD	N5090100			
S 8703	TACT SWITCH				SKHVPD	N5090100			
S 8704	TACT SWITCH				SKHVPD	N5090100			
S 8705	TACT SWITCH				SKHVPD	N5090100			
S 8706	TACT SWITCH				SKHVPD	N5090100			
S 8707	TACT SWITCH				SKHVPD	N5090100			
S 8708	TACT SWITCH				SKHVPD	N5090100			
S 8709	TACT SWITCH				SKHVPD	N5090100			
S 8710	TACT SWITCH				SKHVPD	N5090100			
S 8711	TACT SWITCH				SKHVPD	N5090100			
S 8712	TACT SWITCH				SKHVPD	N5090100			
S 8713	TACT SWITCH				SKHQFN	N5090082			
S 8714	TACT SWITCH				SKHVPD	N5090100			
S 8715	TACT SWITCH				EVQ-333 H=5.0 (TAPE)	N5090046			
S 8716	TACT SWITCH				EVQ-333 H=5.0 (TAPE)	N5090046			
S 8717	TACT SWITCH				SKHVPD	N5090100			
VR8701	POT.				EVUFLAEC2B14 10KB	J60800223			
VR8702	POT.				EVUFLAEC2B14 10KB	J60800223			
VR8703	POT.				EVUFLAEC2B14 10KB	J60800223			
VR8704	POT.				EVUFLAEC2B54 50KB	J60800225			

Page 5M-6 is BLANK and not included in this scan!

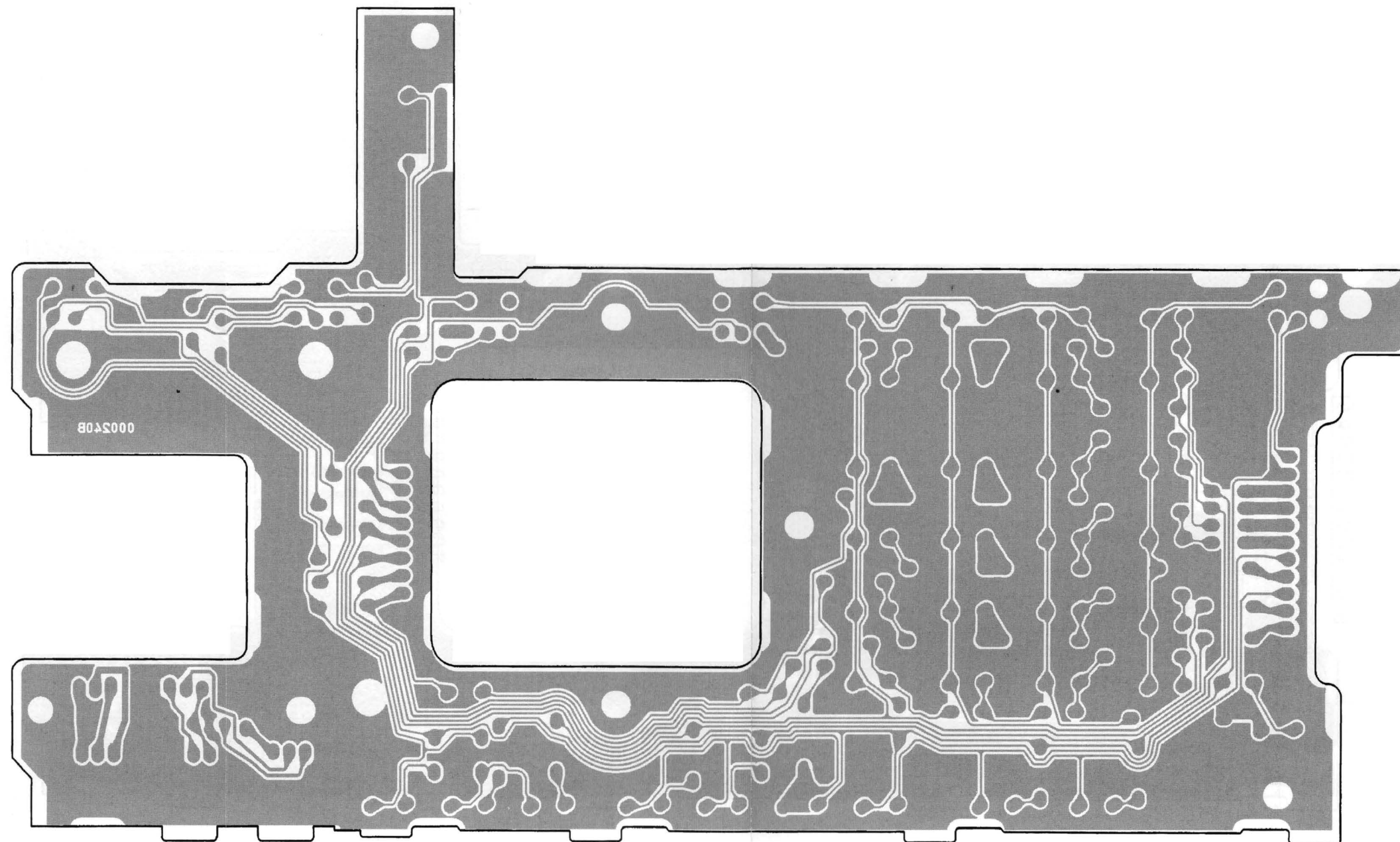
Circuit Diagram



Parts Layout



Component Side

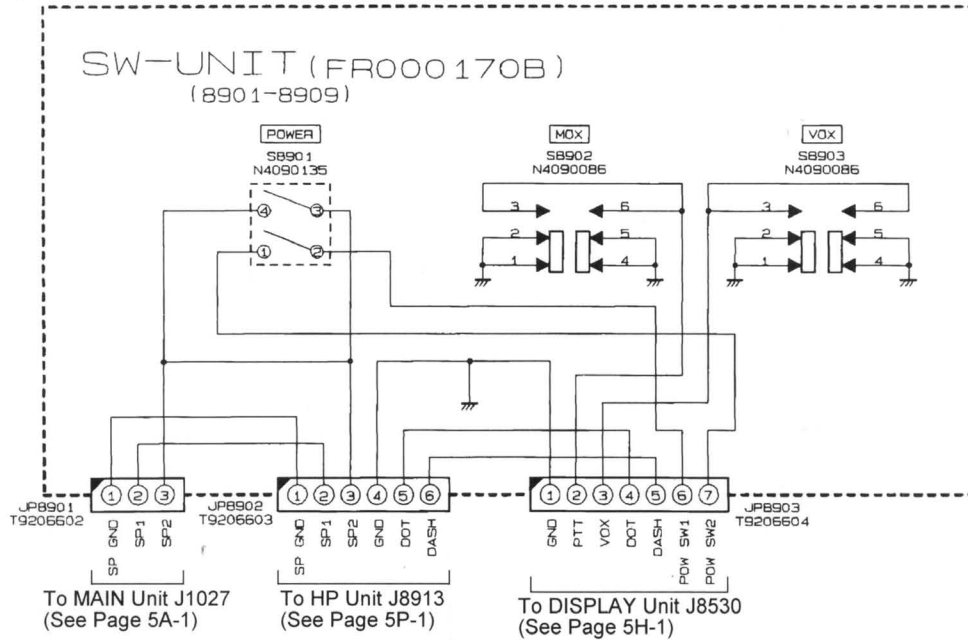


Solder Side

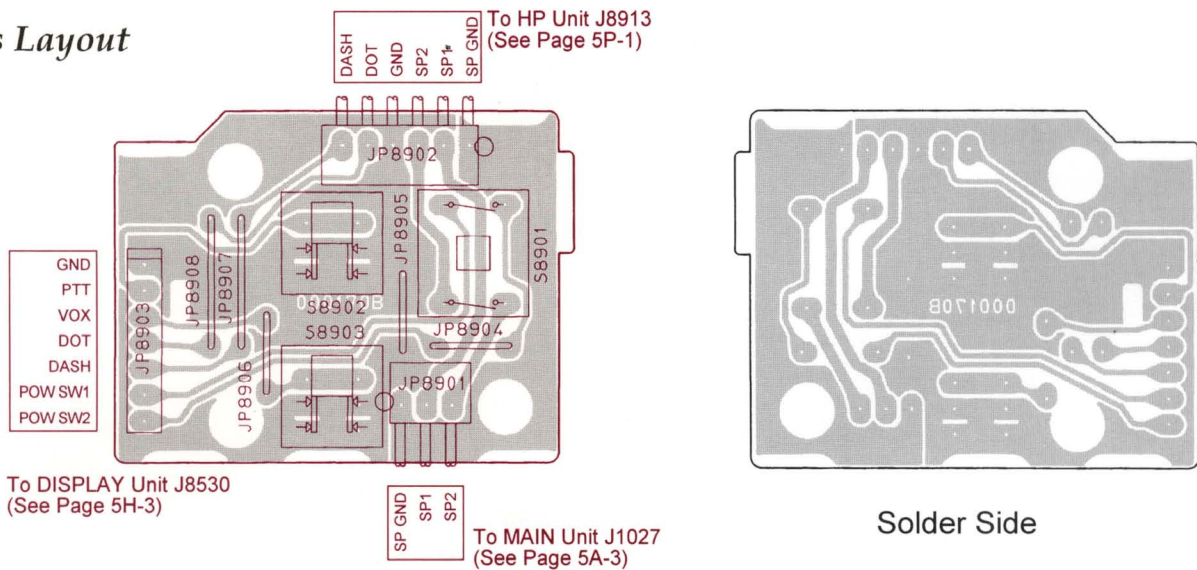
Parts List

REF.	DESCRIPTION	VALUE	WV	TOL.	MFGR'S DESIG	YAESU P/N	VERS.	LOT.	LAY ADR
*** KEY-2 UNIT ***									
PCB with Components						CA1627001			
Printed Circuit Board						FR000240B			
JP8801	WIRE ASSY				A0734	T9206608			
JP8802	WIRE ASSY				A0734	T9206609A			
JP8803	WIRE ASSY				A0734	T9206614			
JP8804	WIRE ASSY				A0734	T9206615			
R 8801	CARBON FILM RES.	2.7kohm	1/6W	5%	RD16TPJ272 2.7K	J07225272			
R 8802	CARBON FILM RES.	1kohm	1/6W	5%	RD16TPJ102 1K	J07225102			
S 8801	TACT SWITCH				SKHQFM	N5090083			
S 8802	TACT SWITCH				SKHVPD	N5090100			
S 8803	TACT SWITCH				SKHVPD	N5090100			
S 8804	TACT SWITCH				SKHVPD	N5090100			
S 8805	TACT SWITCH				SKHVPD	N5090100			
S 8806	TACT SWITCH				SKHVPD	N5090100			
S 8807	TACT SWITCH				SKHVPD	N5090100			
S 8808	TACT SWITCH				SKHVPD	N5090100			
S 8809	TACT SWITCH				SKHVPD	N5090100			
S 8810	TACT SWITCH				SKHVPD	N5090100			
S 8811	TACT SWITCH				SKHVPD	N5090100			
S 8812	TACT SWITCH				SKHVPD	N5090100			
S 8813	TACT SWITCH				SKHVPD	N5090100			
S 8814	TACT SWITCH				SKHVPD	N5090100			
S 8815	TACT SWITCH				SKHVPD	N5090100			
S 8816	TACT SWITCH				SKHVPD	N5090100			
S 8817	TACT SWITCH				SKHVPD	N5090100			
S 8818	TACT SWITCH				SKHVPD	N5090100			
S 8819	TACT SWITCH				SKHVPD	N5090100			
S 8820	TACT SWITCH				SKHVPD	N5090100			
S 8821	TACT SWITCH				SKHVPD	N5090100			
S 8822	TACT SWITCH				SKHVPD	N5090100			
S 8823	TACT SWITCH				SKHVPD	N5090100			
S 8824	TACT SWITCH				SKHVPD	N5090100			
S 8825	TACT SWITCH				SKHVPD	N5090100			
S 8826	TACT SWITCH				SKHVPD	N5090100			
S 8827	TACT SWITCH				SKHQFN	N5090082			
S 8828	TACT SWITCH				SKHQFM	N5090083			
S 8829	TACT SWITCH				SKHVPD	N5090100			
S 8830	TACT SWITCH				SKHVPD	N5090100			
S 8831	TACT SWITCH				SKHVPD	N5090100			
S 8832	TACT SWITCH				SKHVPD	N5090100			
S 8833	TACT SWITCH				SKHVPD	N5090100			
S 8834	TACT SWITCH				SKHVPD	N5090100			
S 8835	TACT SWITCH				SKHVPD	N5090100			
S 8836	TACT SWITCH				SKHVPD	N5090100			
S 8837	TACT SWITCH				SKHVPD	N5090100			
S 8838	TACT SWITCH				SKHVPD	N5090100			
S 8839	TACT SWITCH				SKHVPD	N5090100			
S 8840	TACT SWITCH				SKHVPD	N5090100			
S 8841	TACT SWITCH				SKHVPD	N5090100			
S 8842	TACT SWITCH				SKHQFN	N5090082			
S 8843	TACT SWITCH				SKHQFN	N5090082			
VR8801	POT.				EVUFLAEC2C14 10KC	J60800224			
VR8802	POT.				EVUFLAEC2B14 10KB	J60800223			
VR8803	POT.				EVUFLAEC2B14 10KB	J60800223			

Circuit Diagram



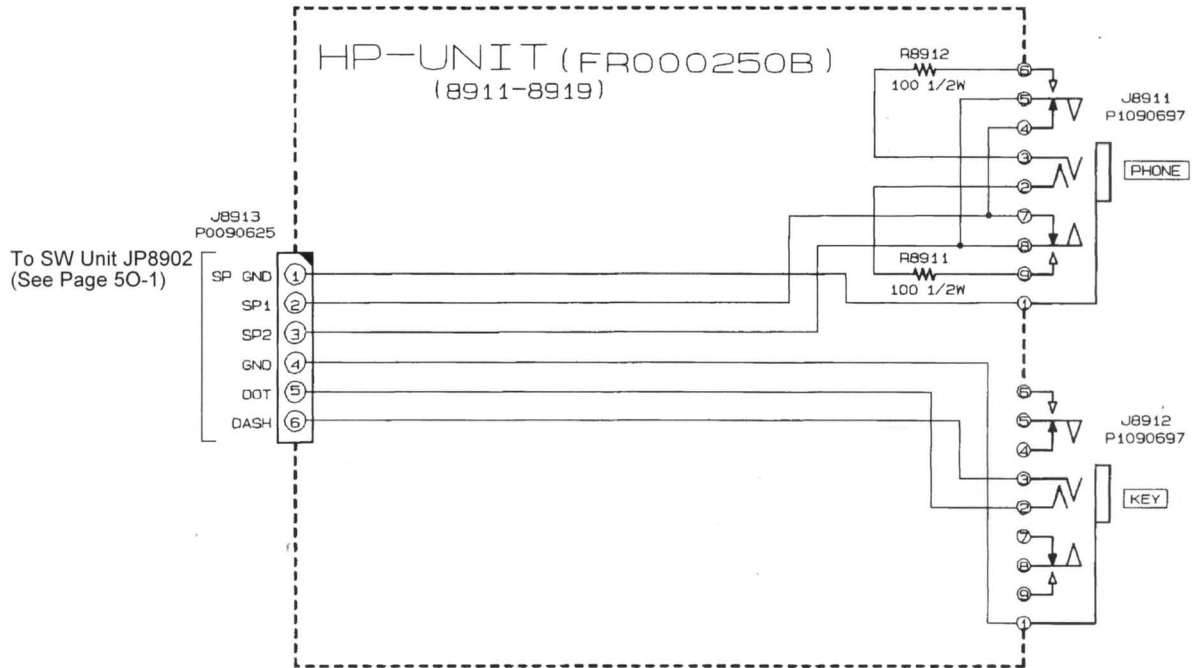
Parts Layout



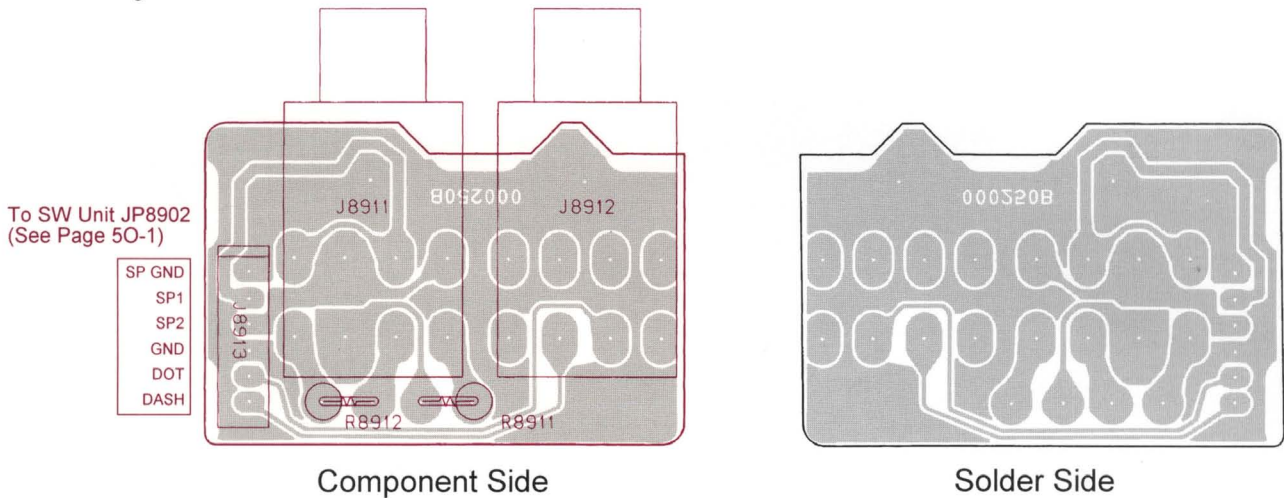
Parts List

REF.	DESCRIPTION	VALUE	WV	TOL.	MFGR'S DESIG	YAESU P/N	VERS.	LOT.	LAY ADR
*** SW UNIT ***									
PCB with Components						CA1619001			
Printed Circuit Board						FR000170B			
JP8901	WIRE ASSY				A0734	T9206602			
JP8902	WIRE ASSY				A0734	T9206603			
JP8903	WIRE ASSY				A0734	T9206604			
S 8901	PUSH SWITCH				ESB32101A	N4090135			
S 8902	PUSH SWITCH				SPH121A94	N4090086			
S 8903	PUSH SWITCH				SPH121A94	N4090086			

Circuit Diagram



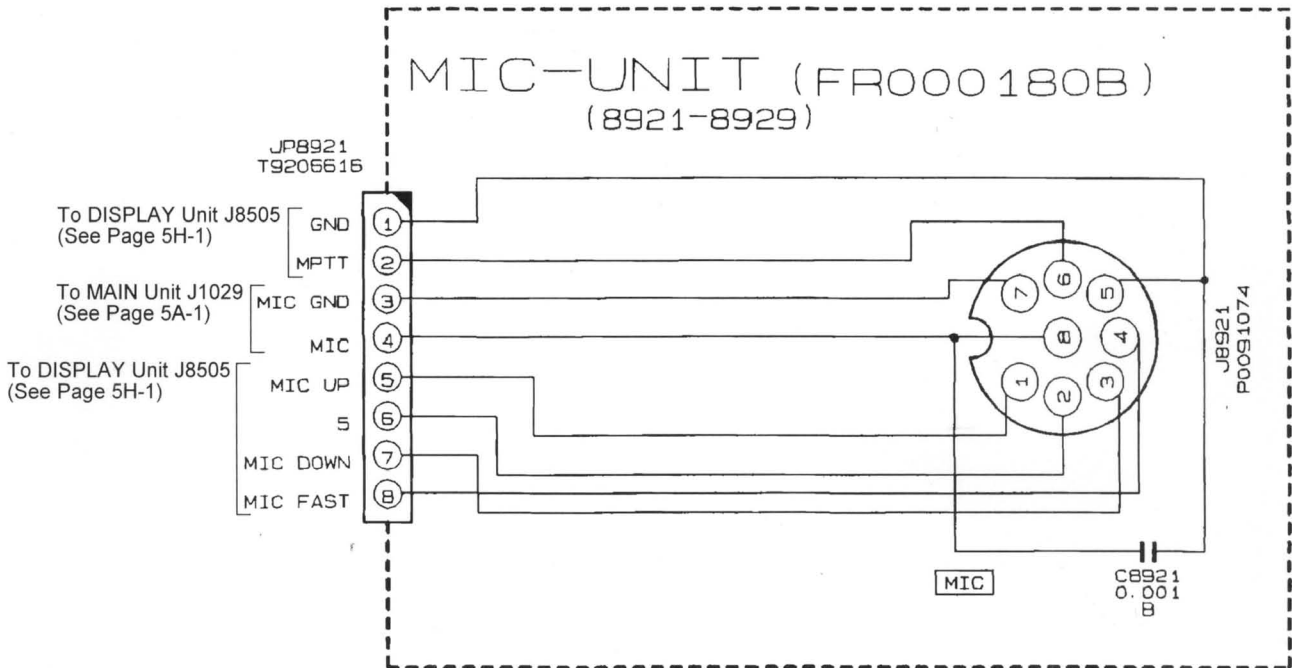
Parts Layout



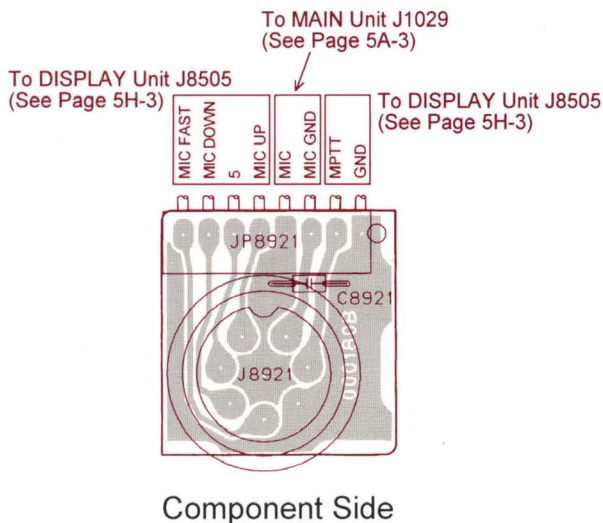
Parts List

REF.	DESCRIPTION	VALUE	WV	TOL.	MFGR'S DESIG	YAESU P/N	VERS.	LOT.	LAY ADR
*** HP UNIT ***									
PCB with Components						CA1618001			
Printed Circuit Board						FR000250B			
J 8911	CONNECTOR				S-G4617#02	P1090697			
J 8912	CONNECTOR				S-G4617#02	P1090697			
J 8913	CONNECTOR				SC25-06WS	P0090625			
R 8911	CARBON FILM RES.	100ohm	1/2W	5%	RD12TJ101 100	J01275101			
R 8912	CARBON FILM RES.	100ohm	1/2W	5%	RD12TJ101 100	J01275101			

Circuit Diagram



Parts Layout



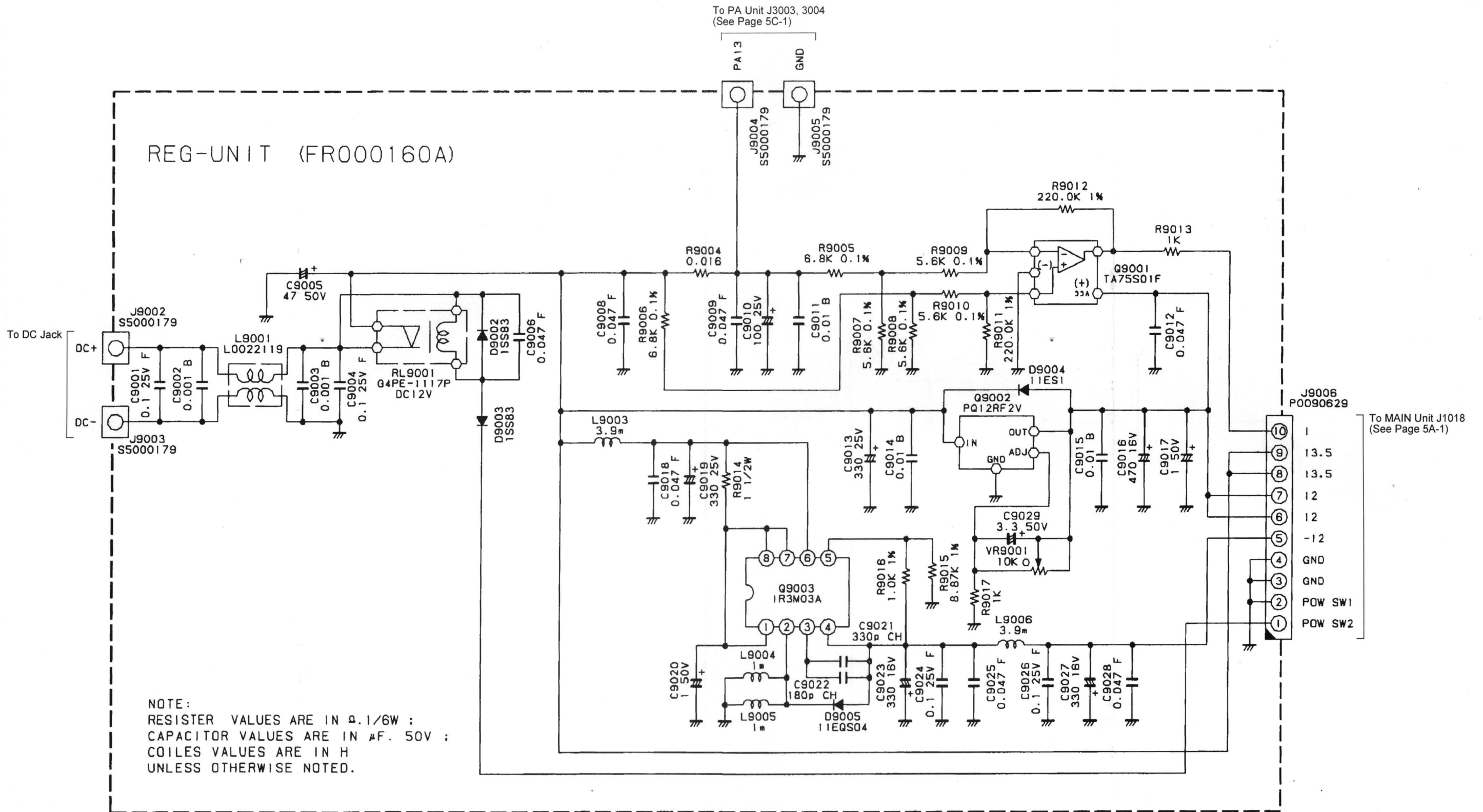
Component Side

Solder Side

Parts List

REF.	DESCRIPTION	VALUE	WV	TOL.	MFGR'S DESIG	YAESU P/N	VERS.	LOT.	LAY ADR
*** MIC UNIT ***									
PCB with Components						CA1629001			
Printed Circuit Board						FR000180B			
C 8921	CERAMIC CAP.	0.001uF	50V	B	UP050B102K-A-B	K28179001			
J 8921	CONNECTOR				FM214-8SMPT-NI	P0091074			
JP8921	WIRE ASSY				A0734	T9206616			

Circuit Diagram



NOTE:
 RESISTOR VALUES ARE IN Ω , 1/6W ;
 CAPACITOR VALUES ARE IN μF , 50V ;
 COILES VALUES ARE IN H
 UNLESS OTHERWISE NOTED.

Parts List

REF.	DESCRIPTION	VALUE	WV	TOL.	MFGR'S DESIG	YAESU P/N	VERS.	LOT.	LAY ADR
*** REG UNIT ***									
PCB with Components (w/ Q9002)						CS1537001			
Printed Circuit Board						FR000160A			
C 9001	CHIP CAP.	0.1uF	25V	F	GRM40F104Z25PT	K22141005			
C 9002	CHIP CAP.	0.001uF	50V	B	GRM40B102M50PT	K22170805			
C 9003	CHIP CAP.	0.001uF	50V	B	GRM40B102M50PT	K22170805			
C 9004	CHIP CAP.	0.1uF	25V	F	GRM40F104Z25PT	K22141005			
C 9005	AL.ELECTRO.CAP.	47uF	50V		50V470M6X11TR5	K46170024			
C 9006	CHIP CAP.	0.047uF	50V	F	GRM40F473Z50PT	K22171008			
C 9008	CHIP CAP.	0.047uF	50V	F	GRM40F473Z50PT	K22171008			
C 9009	CHIP CAP.	0.047uF	50V	F	GRM40F473Z50PT	K22171008			
C 9010	AL.ELECTRO.CAP.	100uF	25V		25V101M6X11TR5	K46140005			
C 9011	CHIP CAP.	0.01uF	50V	B	GRM40B103M50PT	K22170817			
C 9012	CHIP CAP.	0.047uF	50V	F	GRM40F473Z50PT	K22171008			
C 9013	AL.ELECTRO.CAP.	330uF	25V		RE2-25V331MM-T2	K46140007			
C 9014	CHIP CAP.	0.01uF	50V	B	GRM40B103M50PT	K22170817			
C 9015	CHIP CAP.	0.01uF	50V	B	GRM40B103M50PT	K22170817			
C 9016	AL.ELECTRO.CAP.	470uF	16V		RE2-16V471MM-T2	K46120003			
C 9017	AL.ELECTRO.CAP.	1uF	50V		50V010M5X11TR5	K46170017			
C 9018	CHIP CAP.	0.047uF	50V	F	GRM40F473Z50PT	K22171008			
C 9019	AL.ELECTRO.CAP.	330uF	25V		RE2-25V331MM-T2	K46140007			
C 9020	AL.ELECTRO.CAP.	1uF	50V		50V010M5X11TR5	K46170017			
C 9021	CHIP CAP.	330pF	50V	CH	GRM40CH331J50PT	K22170247			
C 9022	CHIP CAP.	180pF	50V	CH	GRM40CH181J50PT	K22170241			
C 9023	AL.ELECTRO.CAP.	330uF	16V		16V331M8X11TR5	K46120002			
C 9024	CHIP CAP.	0.1uF	25V	F	GRM40F104Z25PT	K22141005			
C 9025	CHIP CAP.	0.047uF	50V	F	GRM40F473Z50PT	K22171008			
C 9026	CHIP CAP.	0.1uF	25V	F	GRM40F104Z25PT	K22141005			
C 9027	AL.ELECTRO.CAP.	330uF	16V		16V331M8X11TR5	K46120002			
C 9028	CHIP CAP.	0.047uF	50V	F	GRM40F473Z50PT	K22171008			
C 9029	AL.ELECTRO.CAP.	3.3uF	50V		50V3R3M5X11TR5	K46170019			
D 9002	DIODE				1SS83RE	G2050007			
D 9003	DIODE				1SS83RE	G2050007			
D 9004	DIODE				11ES1-TA1B2	G2060009			
D 9005	DIODE				11EQS04-TA1B2	G2060008			
J 9002	TERMINAL				Y106	S5000179			
J 9003	TERMINAL				Y106	S5000179			
J 9004	TERMINAL				Y106	S5000179			
J 9005	TERMINAL				Y106	S5000179			
J 9006	CONNECTOR				SC25-10WS	P0090629			
L 9001	TOROIDAL COIL				D12A RI16X8X8	L0022119			
L 9003	M.RFC	3.9mH			RCR-875D-392K	L1190383			
L 9004	M.RFC	1mH			LAL03VB102K	L1790164			
L 9005	M.RFC	1mH			LAL03VB102K	L1790164			
L 9006	M.RFC	3.9mH			RCR-875D-392K	L1190383			
Q 9001	IC				TA75S01F TE85R	G1091593			
Q 9002	IC				PQ12RF2V	G1092507			
Q 9003	IC				IR3M03A	G1090837			
R 9004	SHUNT RES.	0.016ohm		5%	R016	J32009018			
R 9005	CHIP RES.	6.8kohm	1/10W	0.10%	RR1220P-682-B	J24209094			
R 9006	CHIP RES.	6.8kohm	1/10W	0.10%	RR1220P-682-B	J24209094			
R 9007	CHIP RES.	5.6kohm	1/10W	0.10%	RR1220P-562-B	J24209092			
R 9008	CHIP RES.	5.6kohm	1/10W	0.10%	RR1220P-562-B	J24209092			
R 9009	CHIP RES.	5.6kohm	1/10W	0.10%	RR1220P-562-B	J24209092			
R 9010	CHIP RES.	5.6kohm	1/10W	0.10%	RR1220P-562-B	J24209092			
R 9011	CHIP RES.	220kohm	1/10W	1%	RMC1/10 2203FTP	J24209041			
R 9012	CHIP RES.	220kohm	1/10W	1%	RMC1/10 2203FTP	J24209041			
R 9013	CHIP RES.	1kohm	1/10W	5%	RMC1/10T 102J	J24205102			
R 9014	CHIP RES.	1ohm	1/2W	5%	RMC1/2 1R0JCTP	J24275010			
R 9015	METAL FILM RES.	8.87kohm	1/4W	1%	MRS25F 8.87K	J20249046			

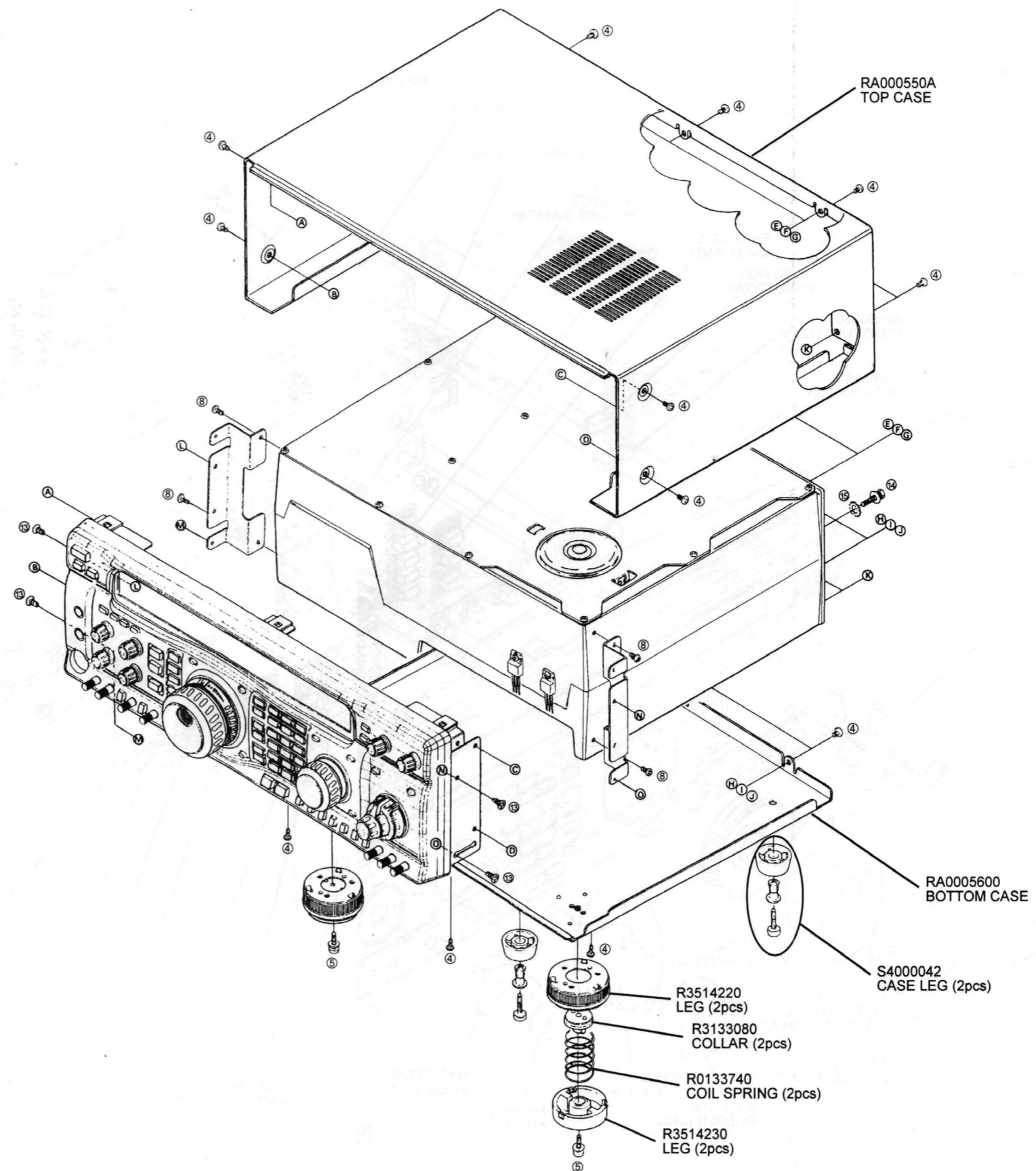
REG Unit

REF.	DESCRIPTION	VALUE	WV	TOL.	MFGR'S DESIG	YAESU P/N	VERS.	LOT.	LAY ADR
R 9016	CHIP RES.	1kohm	1/10W	1%	RMC1/10 1001FTP	J24209016			
R 9017	CHIP RES.	1kohm	1/10W	5%	RMC1/10T 102J	J24205102			
RL9001	RELAY		DC12V		G4PE-1117P DC12V	M1190095			
VR9001	POT.	10kohm			RH0638C14R 10KB	J51808103			
Z 9001	SHIELD CASE					R0131630			
Z 9002	SHIELD CASE COVER					R0131640			

Exploded View & Miscellaneous Part

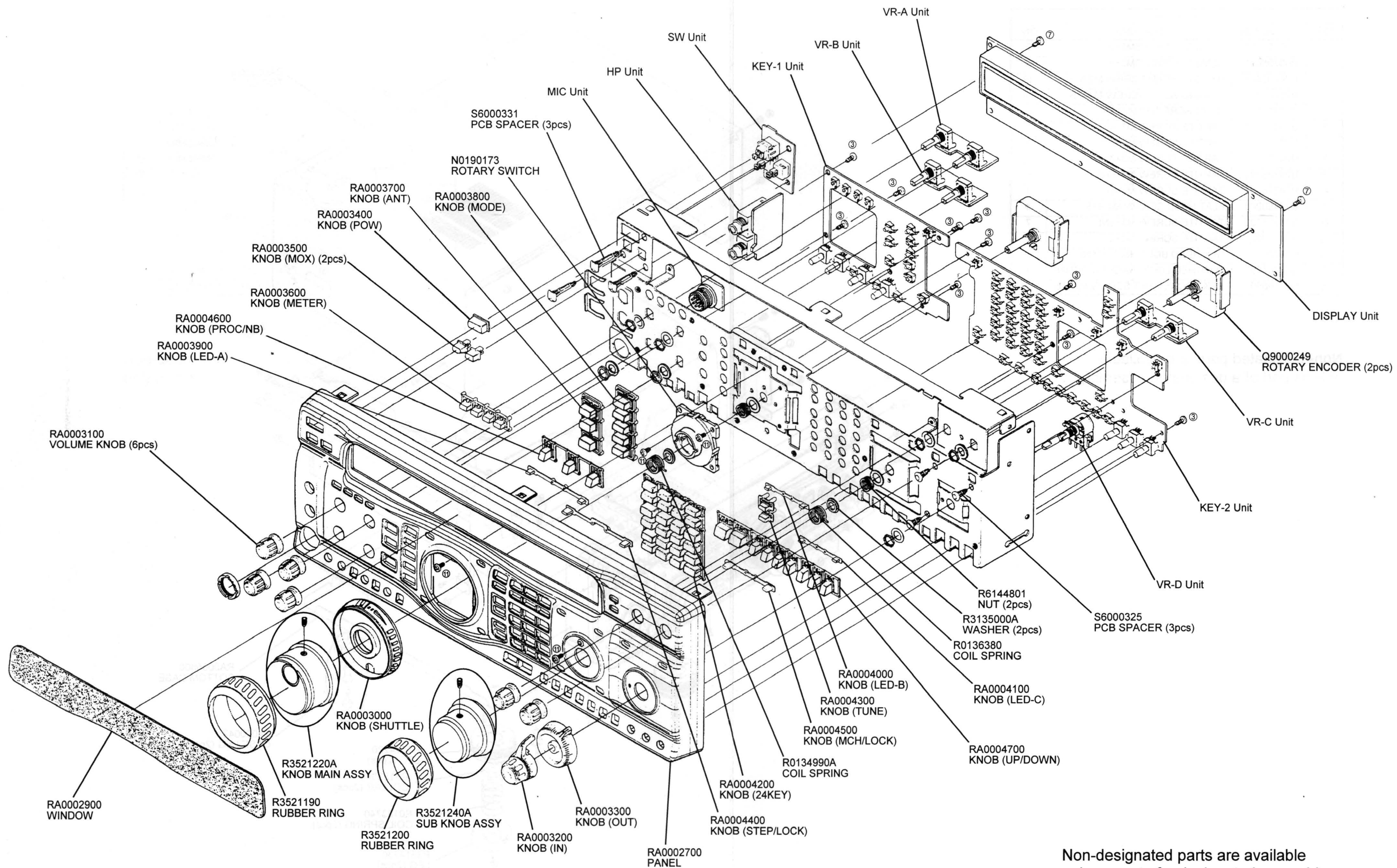
Screw List			
REF.	YAESU P/N	Description	Qty.
①	U03306001	SEMS SCREW ASM3×6	7
②	U03308001	SEMS SCREW ASM3×8	8
③	U20205001	BINDING HEAD SCREW M2.6×5	10
④	U20406007	BINDING HEAD SCREW M4×6B	14
⑤	U22416007	SEMS SCREW HM4×16B	2
⑥	U23306001	TAPTITE SCREW M3×6	4
⑦	U24206001	TAPTITE SCREW M2.6×6	2
⑧	U24306001	TAPTITE SCREW M3×6	78
⑨	U24306002	TAPTITE SCREW M3×6NI	5
⑩	U24316001	TAPTITE SCREW M3×16	1
⑪	U32450001	FLAT HEAD SCREW M2.6×5	4
⑫	U44308002	TAPTITE SCREW M3×8NI	7
⑬	U34306001	TAPTITE SCREW M3×6	5
⑭	U9900076	HEX HEAD BOLT HSM4×16NI	1
⑮	U72004002	TOOTHED LOCK WASHER OW4NI	1
⑯	U91306007	HEX SOCKET SET SCREW M3×6B	2

Non-designated parts are available only as part of a designated assembly.



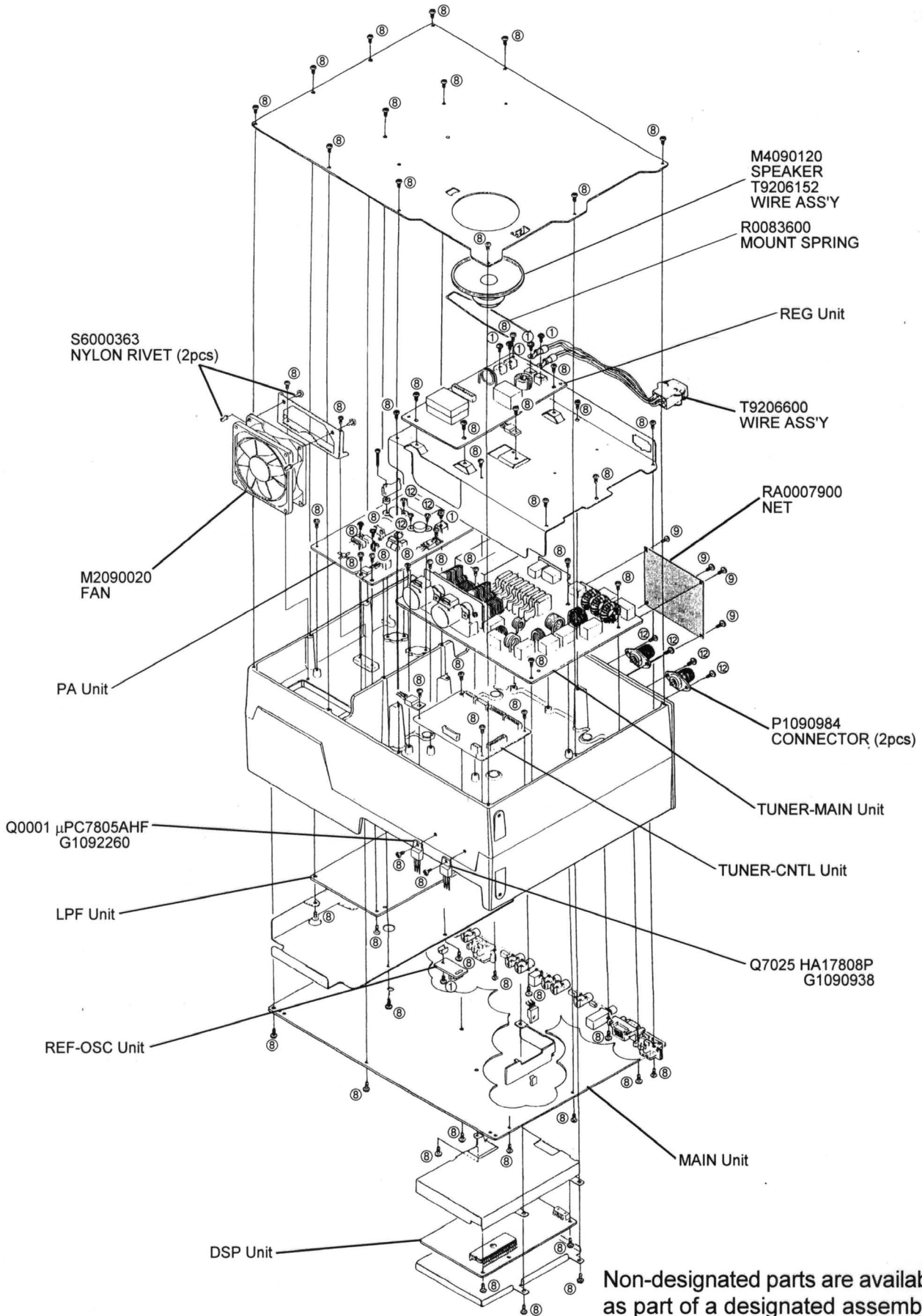
Downloaded by
RadioAmateur.EU

Exploded View & Miscellaneous Parts



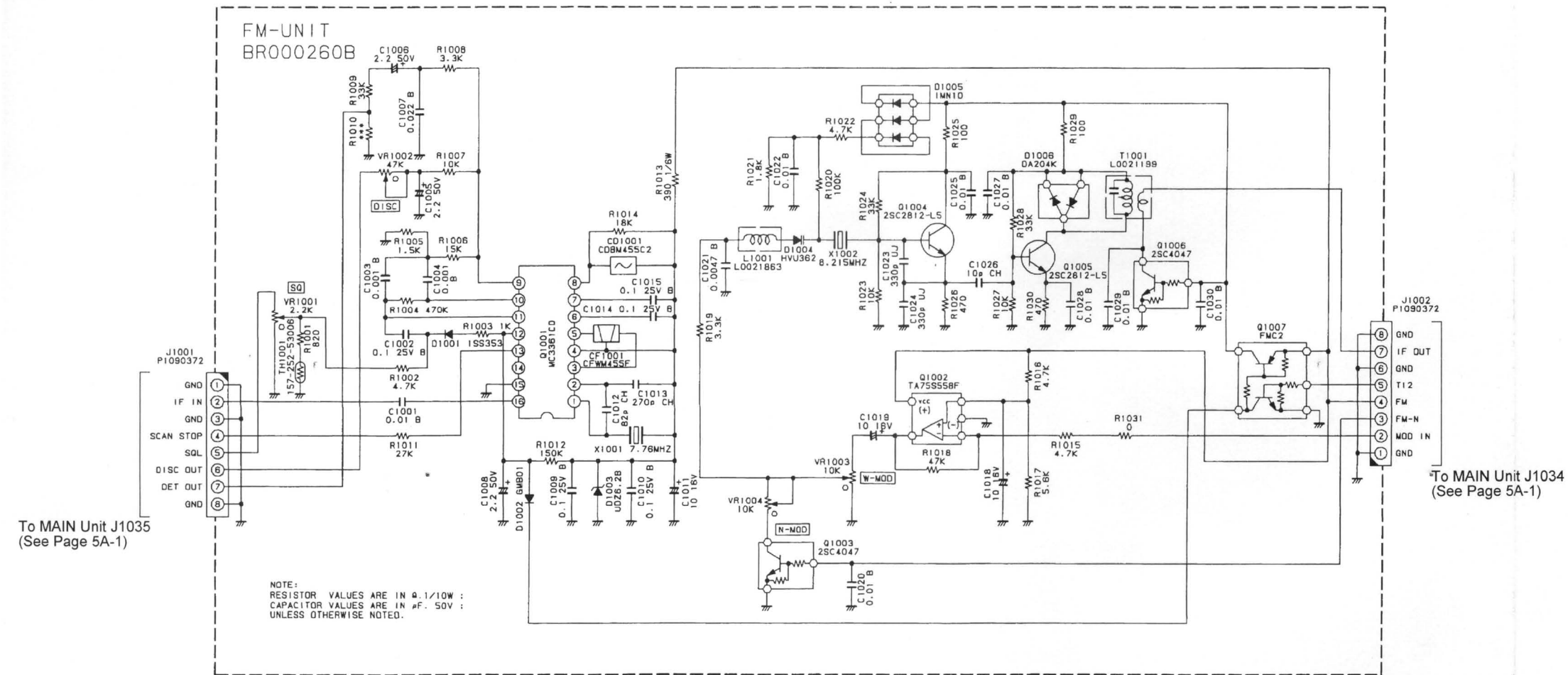
Non-designated parts are available only as part of a designated assembly.

Exploded View & Miscellaneous Parts

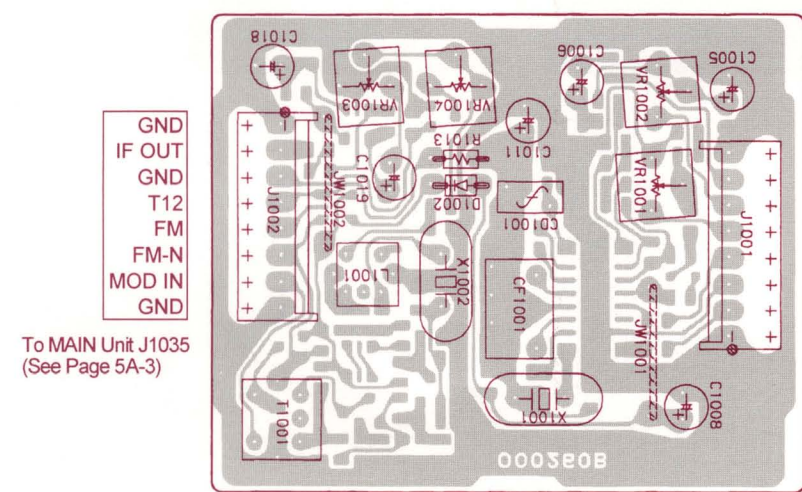


Non-designated parts are available only as part of a designated assembly.

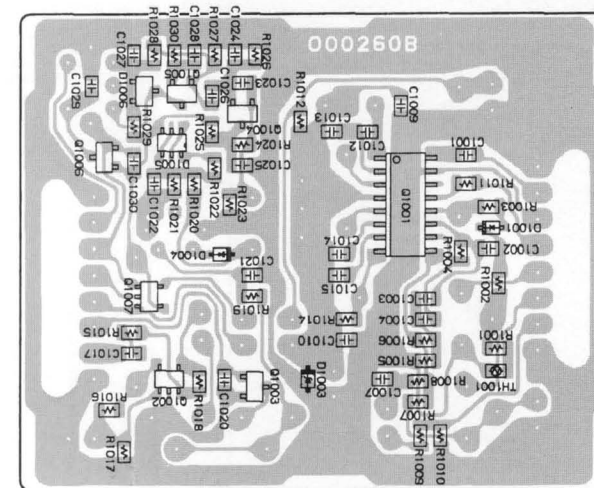
Circuit Diagram



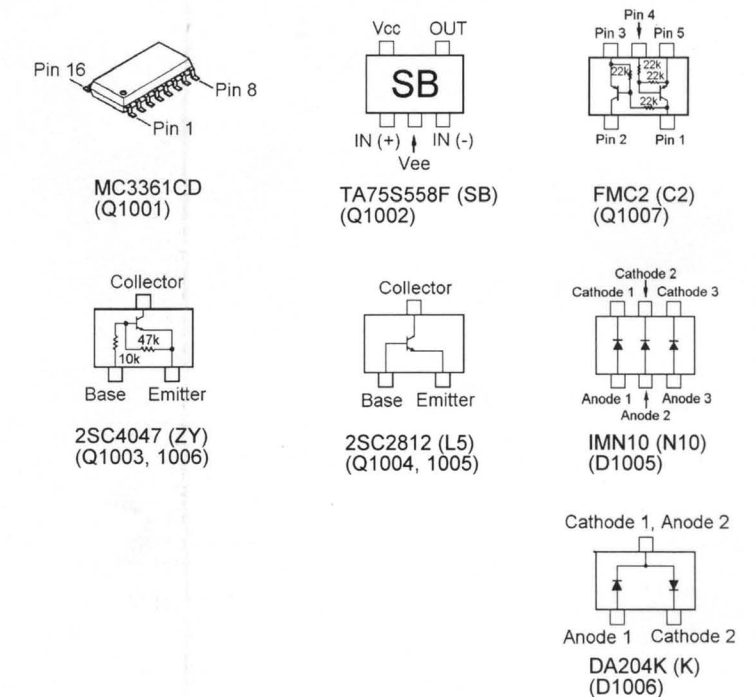
Parts Layout



Component Side



Chip Side



FM-1 (FM Unit option)

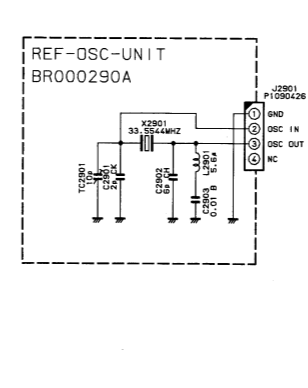
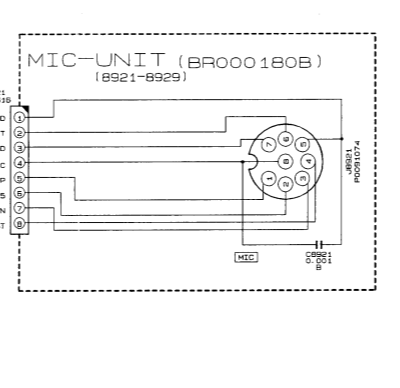
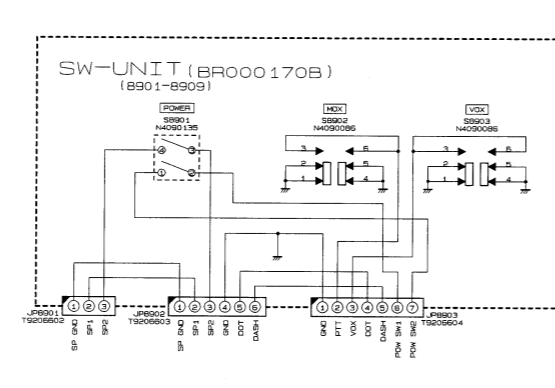
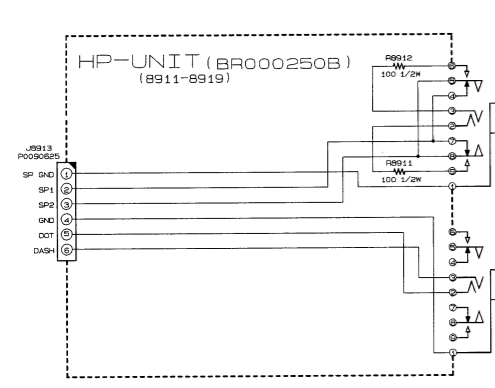
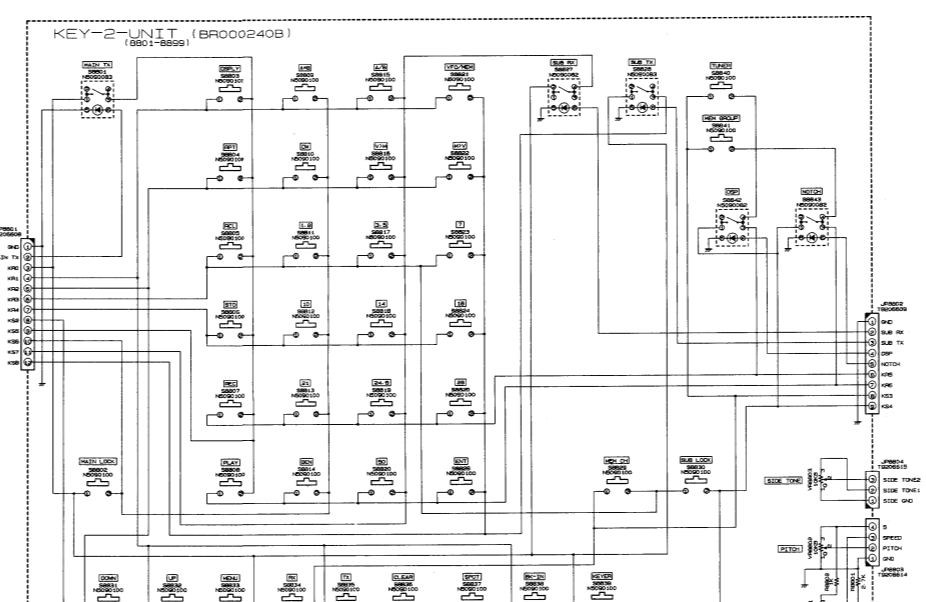
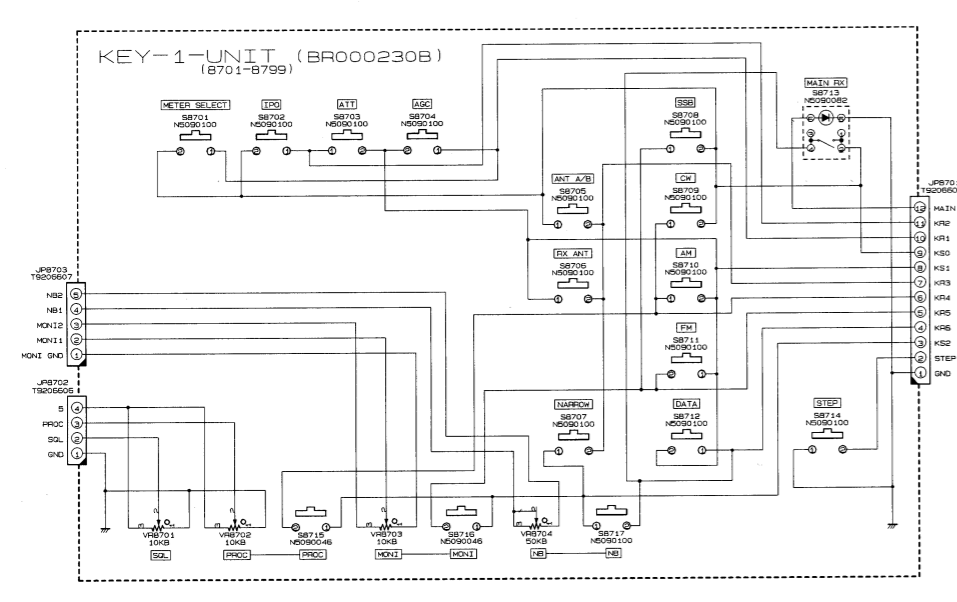
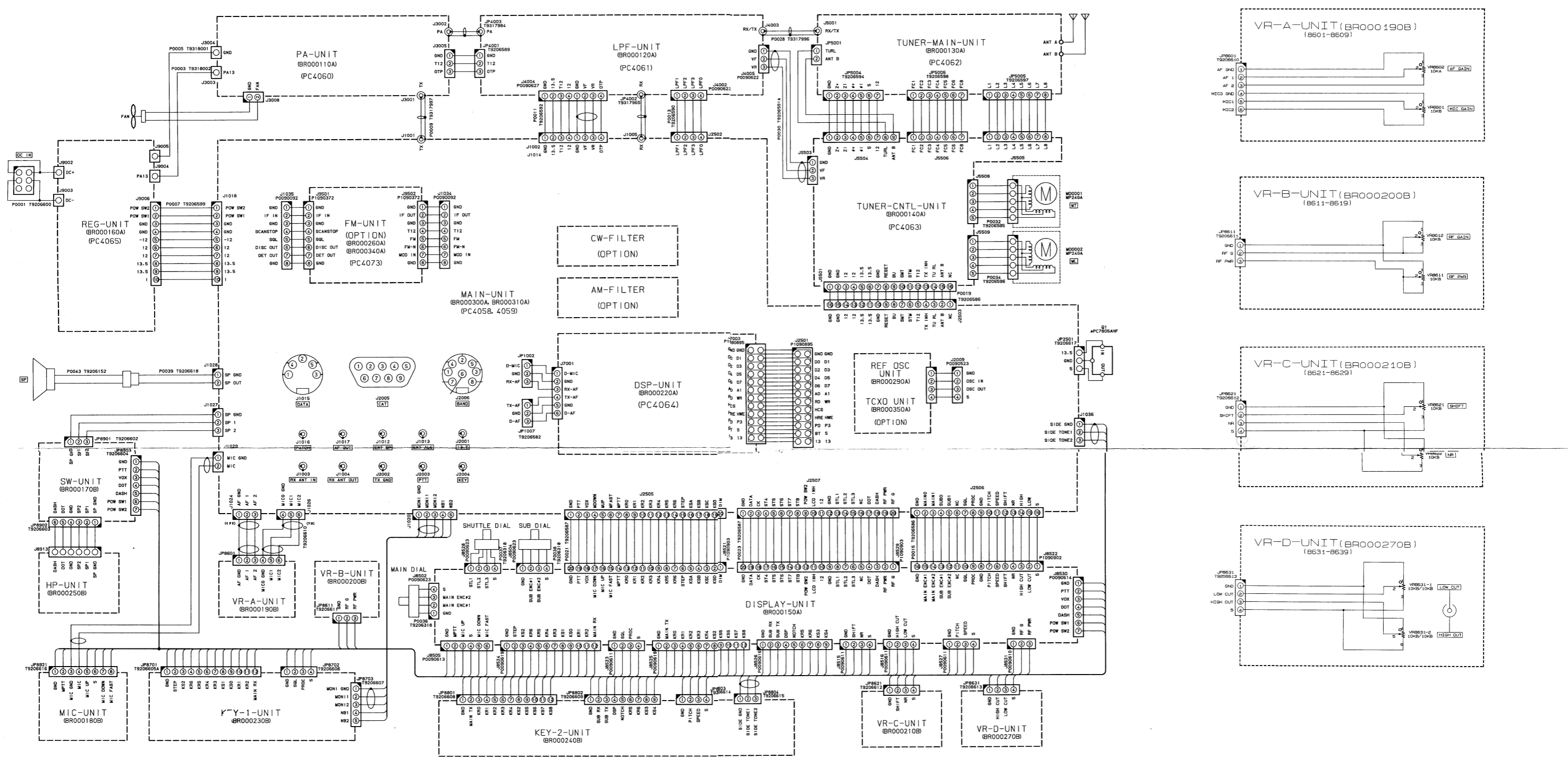
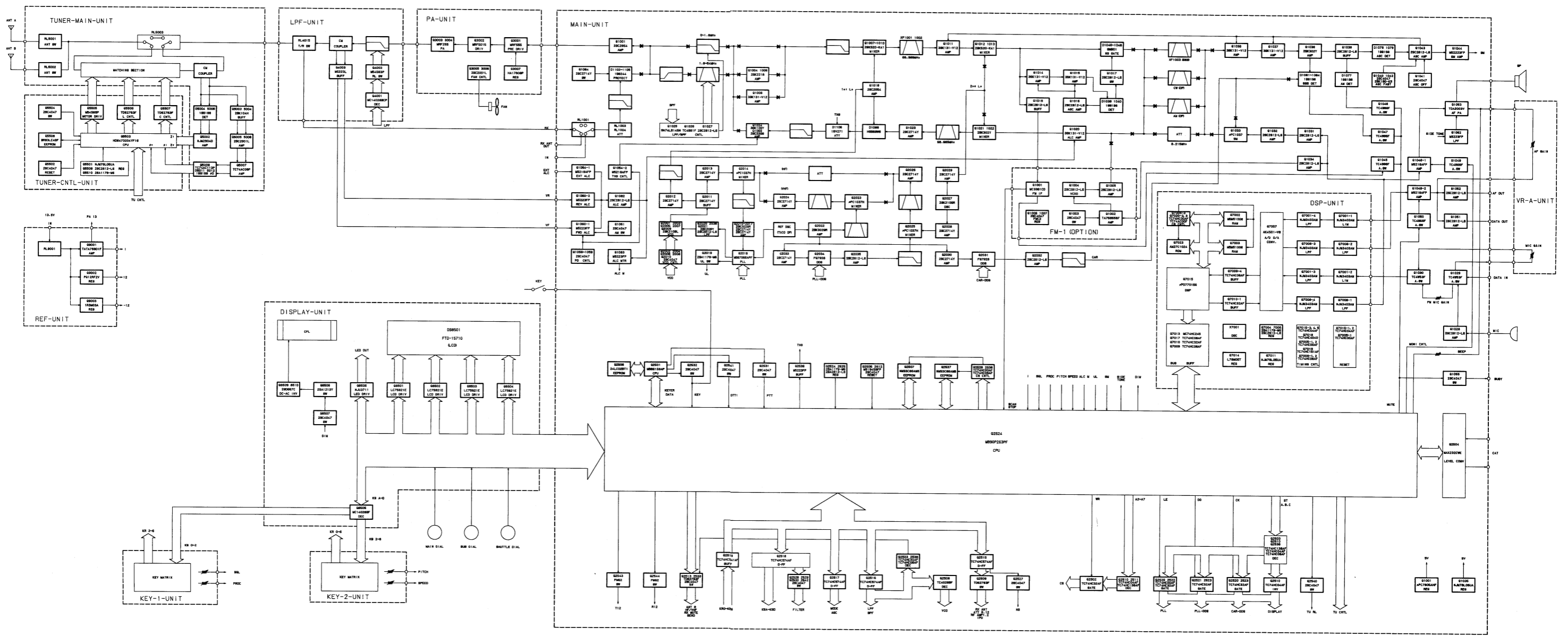
Parts List

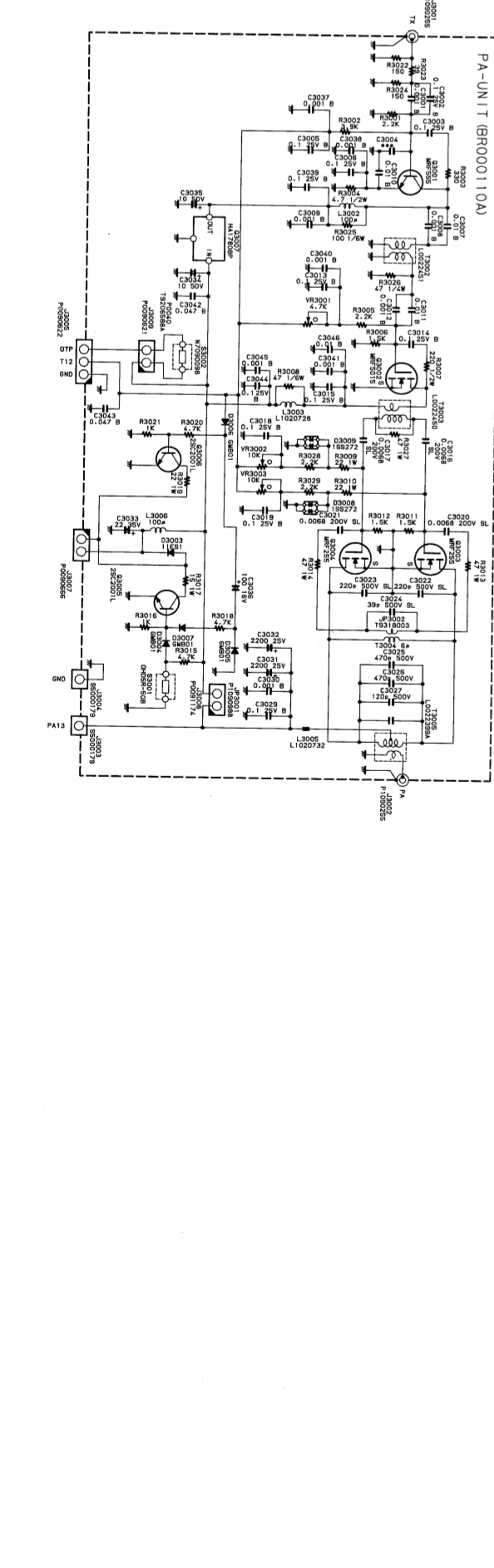
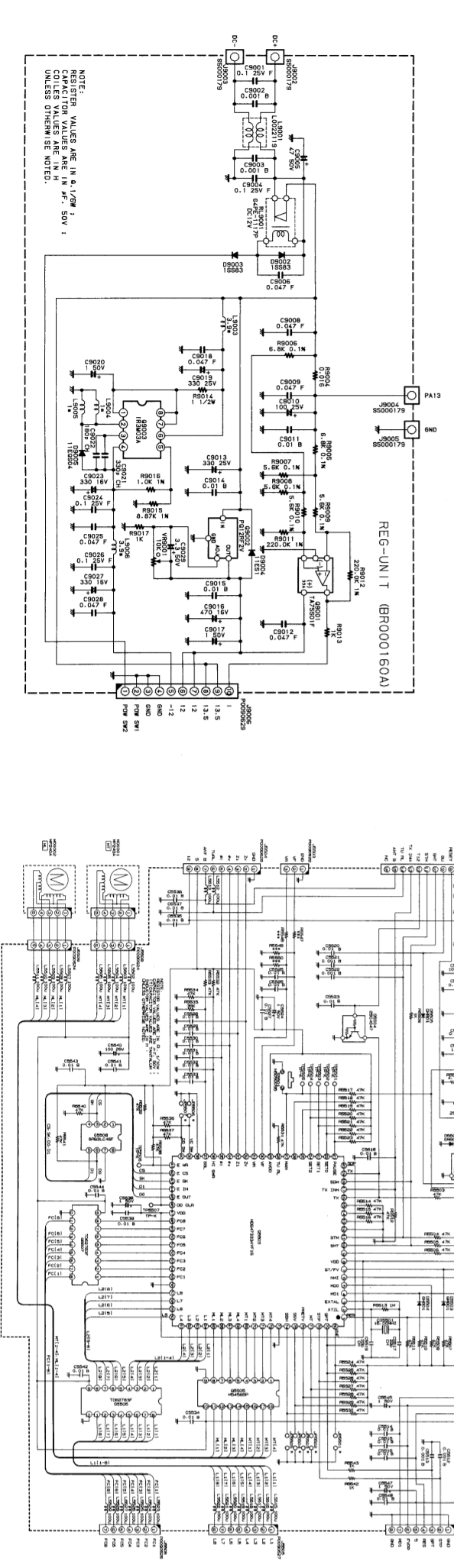
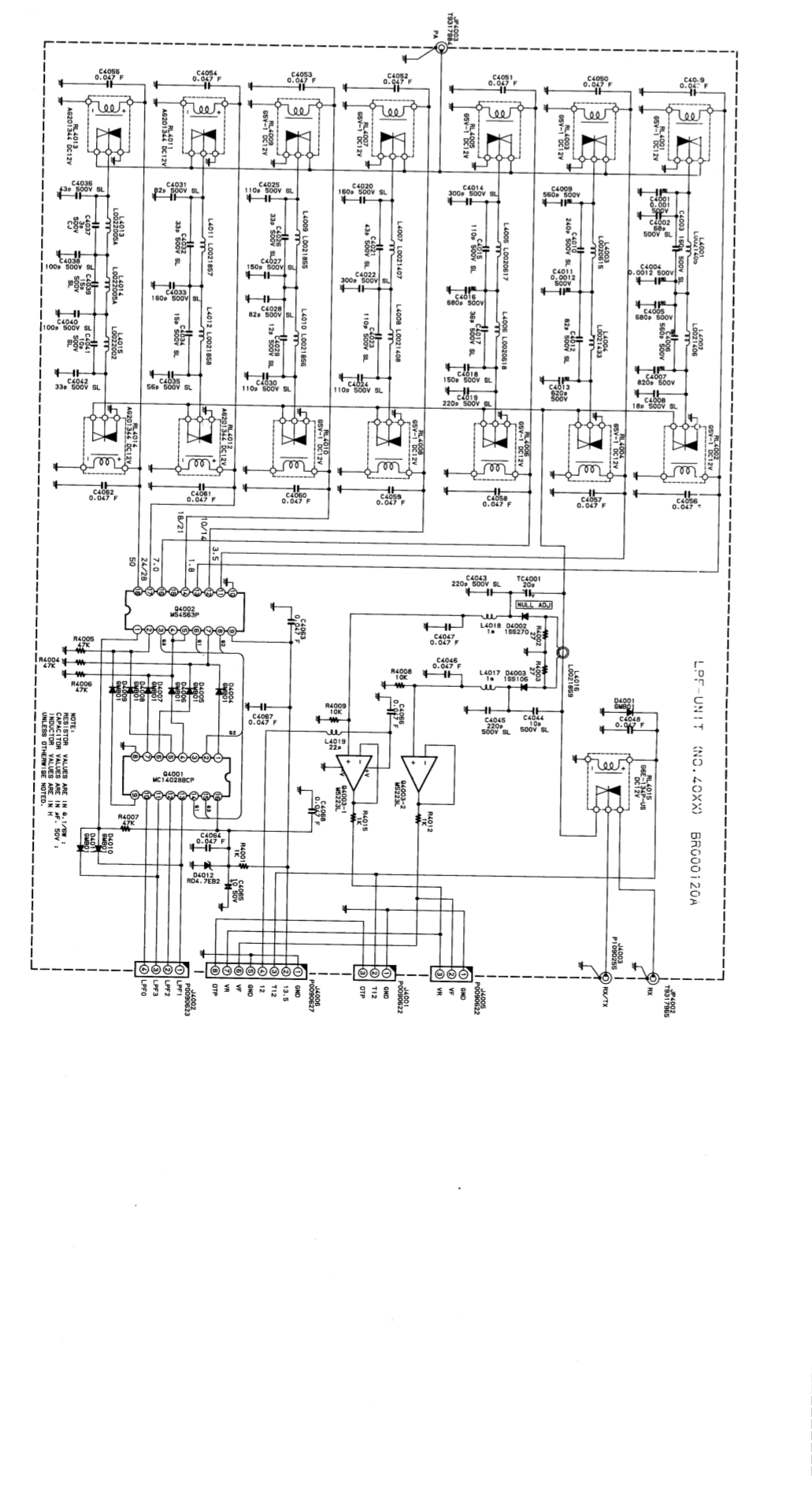
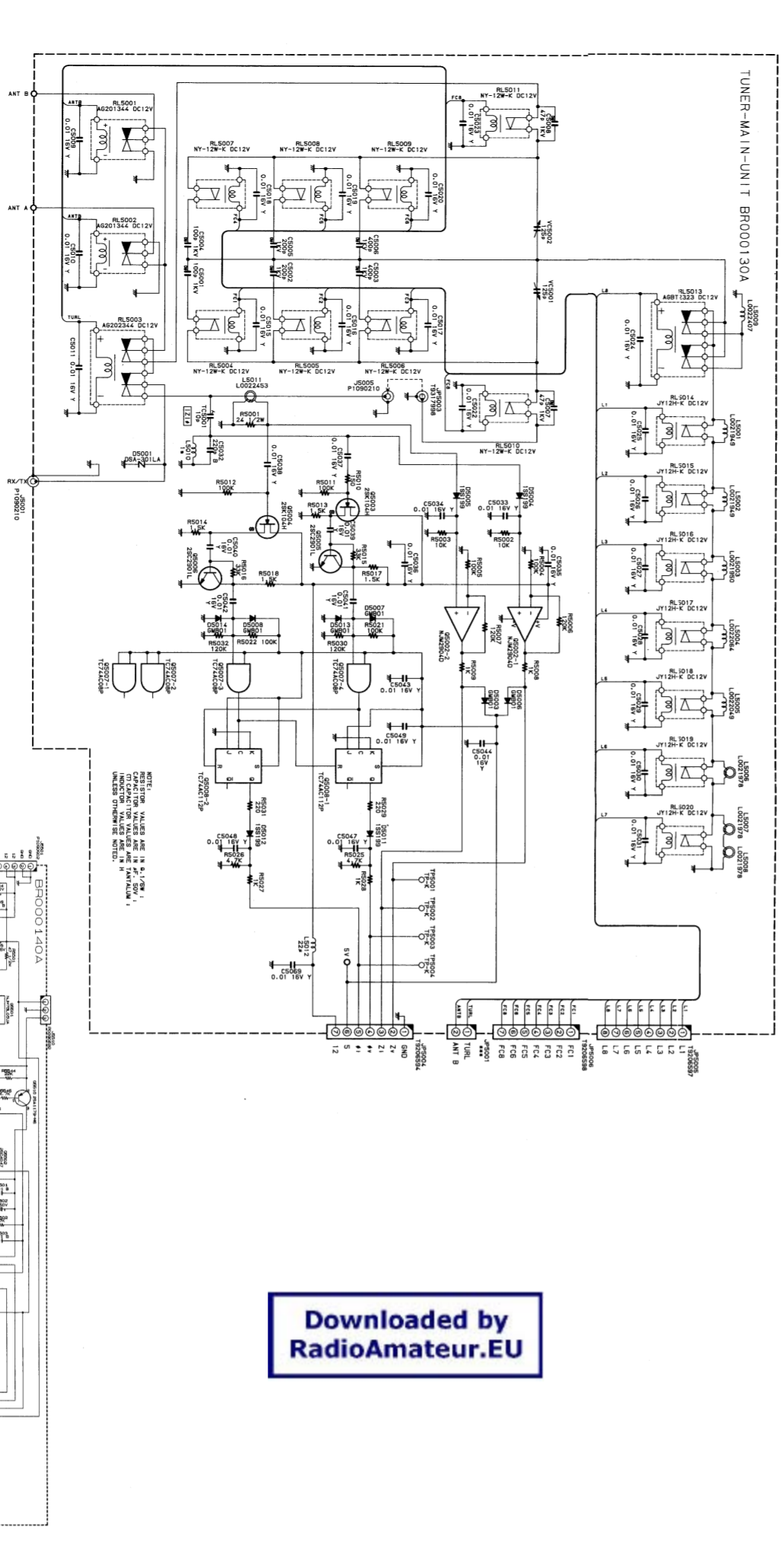
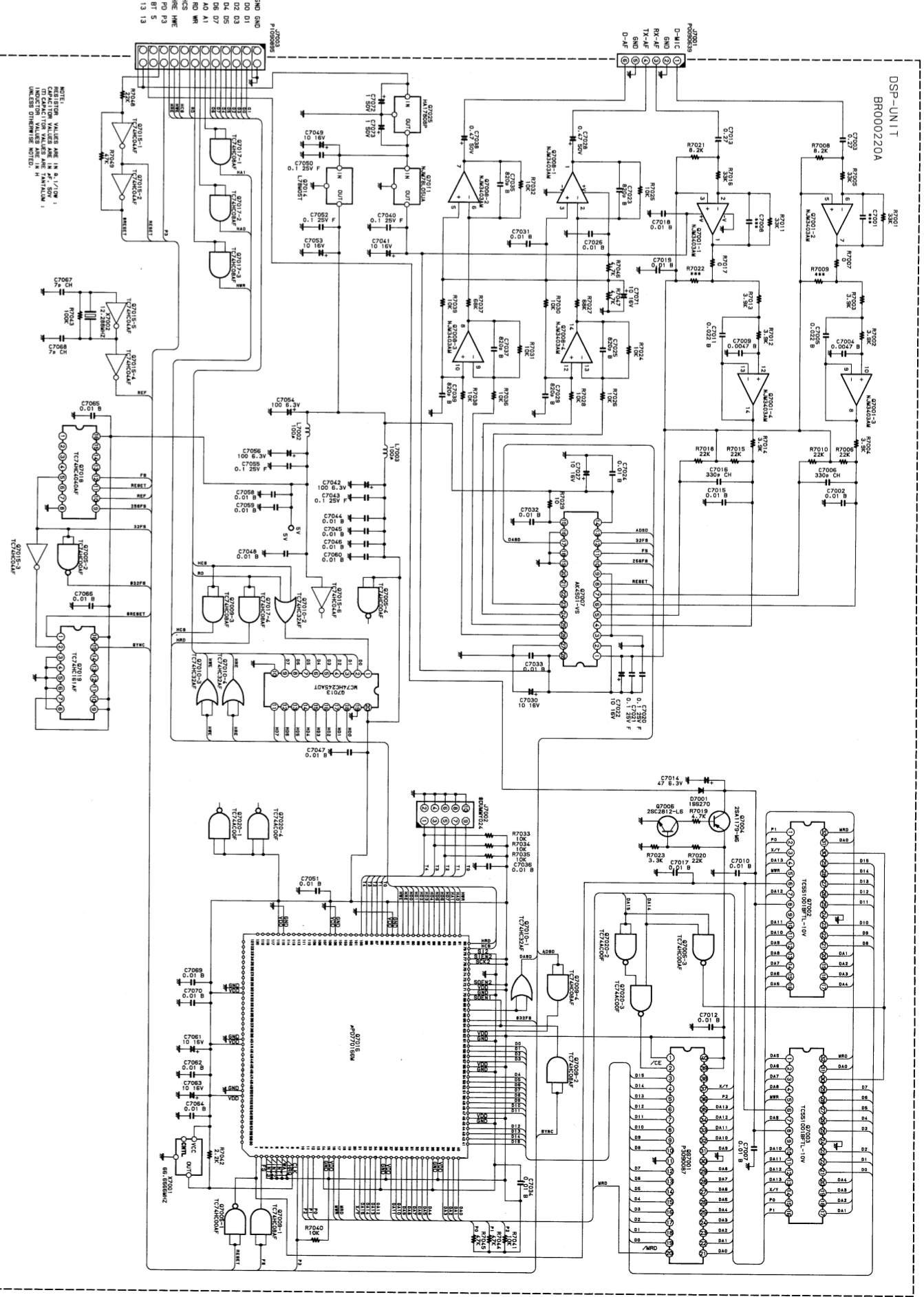
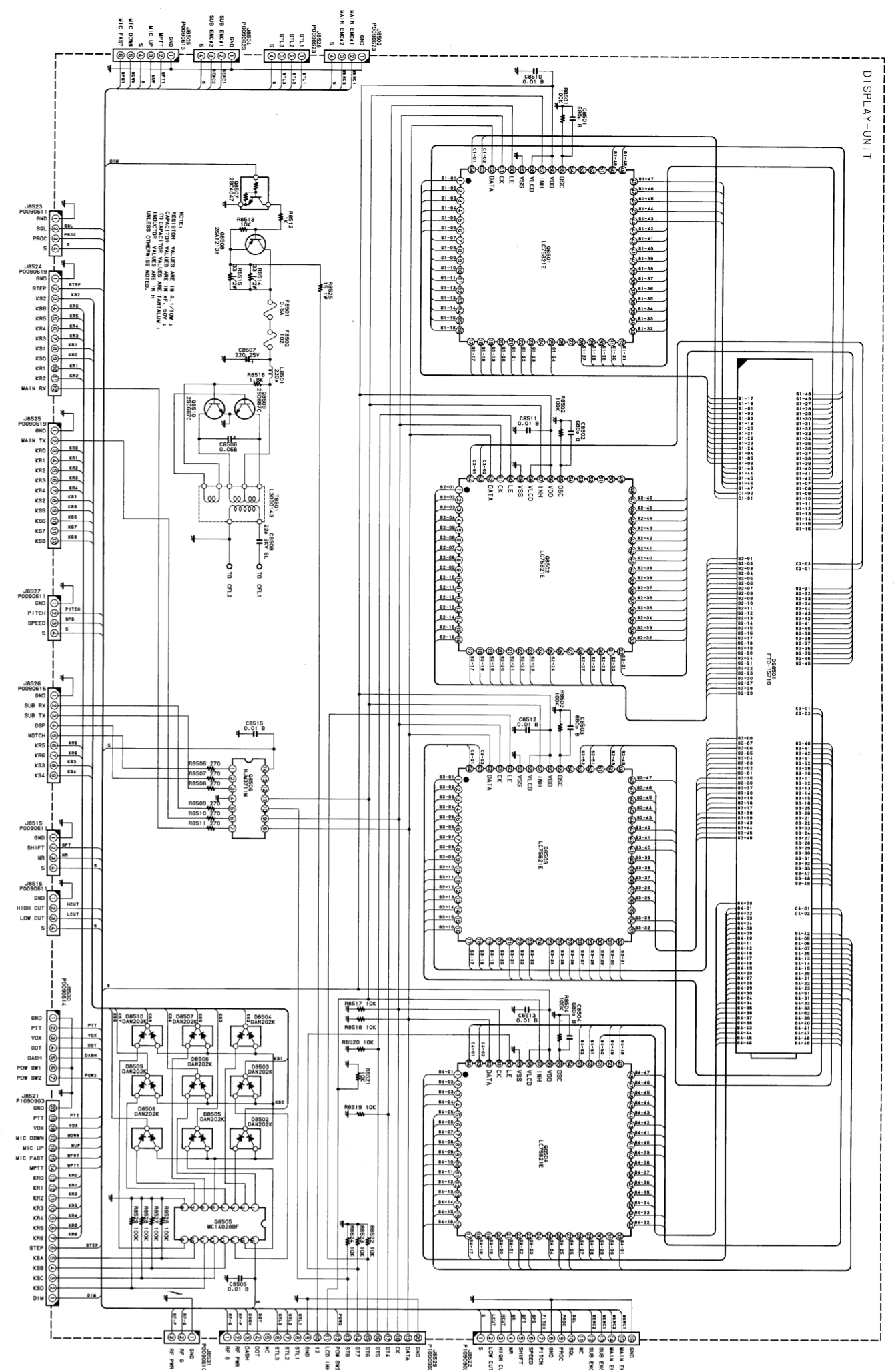
REF.	DESCRIPTION	VALUE	WV	TOL.	MFGR'S DESIG	YAESU P/N	VERS.	LOT.	LAY ADR
*** FM-1 ***									
Printed Circuit Board						FR000260B			
C 1001	CHIP CAP.	0.01uF	50V	B	GRM40B103M50PT	K22170817			
C 1002	CHIP CAP.	0.1uF	25V	B	GRM40B104M25PT	K22140811			
C 1003	CHIP CAP.	0.001uF	50V	B	GRM40B102M50PT	K22170805			
C 1004	CHIP CAP.	0.001uF	50V	B	GRM40B102M50PT	K22170805			
C 1005	AL.ELECTRO.CAP.	2.2uF	50V		50V2R2M4X7TR2	K46170031			
C 1006	AL.ELECTRO.CAP.	2.2uF	50V		50V2R2M4X7TR2	K46170031			
C 1007	CHIP CAP.	0.022uF	50V	B	GRM40B223M50PT	K22170821			
C 1008	AL.ELECTRO.CAP.	2.2uF	50V		50V2R2M4X7TR2	K46170031			
C 1009	CHIP CAP.	0.1uF	25V	B	GRM40B104M25PT	K22140811			
C 1010	CHIP CAP.	0.1uF	25V	B	GRM40B104M25PT	K22140811			
C 1011	AL.ELECTRO.CAP.	10uF	16V		16V100M4X7TR2	K46120004			
C 1012	CHIP CAP.	82pF	50V	CH	GRM40CH820J50PT	K22170233			
C 1013	CHIP CAP.	270pF	50V	CH	GRM40CH271J50PT	K22170245			
C 1014	CHIP CAP.	0.1uF	25V	B	GRM40B104M25PT	K22140811			
C 1015	CHIP CAP.	0.1uF	25V	B	GRM40B104M25PT	K22140811			
C 1018	AL.ELECTRO.CAP.	10uF	16V		16V100M4X7TR2	K46120004			
C 1019	AL.ELECTRO.CAP.	10uF	16V		16V100M4X7TR2	K46120004			
C 1020	CHIP CAP.	0.01uF	50V	B	GRM40B103M50PT	K22170817			
C 1021	CHIP CAP.	0.0047uF	50V	B	GRM40B472M50PT	K22170813			
C 1022	CHIP CAP.	0.01uF	50V	B	GRM40B103M50PT	K22170817			
C 1023	CHIP CAP.	330pF	50V	UJ	GRM40UJ331J50PT	K22170347			
C 1024	CHIP CAP.	330pF	50V	UJ	GRM40UJ331J50PT	K22170347			
C 1025	CHIP CAP.	0.01uF	50V	B	GRM40B103M50PT	K22170817			
C 1026	CHIP CAP.	10pF	50V	CH	GRM40CH100D50PT	K22170211			
C 1027	CHIP CAP.	0.01uF	50V	B	GRM40B103M50PT	K22170817			
C 1028	CHIP CAP.	0.01uF	50V	B	GRM40B103M50PT	K22170817			
C 1029	CHIP CAP.	0.01uF	50V	B	GRM40B103M50PT	K22170817			
C 1030	CHIP CAP.	0.01uF	50V	B	GRM40B103M50PT	K22170817			
CD1001	CERAMIC DISC				CDBM455C2	H7900730			
CF1001	CERAMIC FILTER				CFWM455F	H3900395			
D 1001	DIODE				1SS353 TE-17	G2070394			
D 1002	DIODE				GMB01-BT	G2060016			
D 1003	DIODE				UDZ TE-17 6.2B	G2070492			
D 1004	DIODE				HVU362TRF	G2070490			
D 1005	DIODE				IMN10 T108	G2070078			
D 1006	DIODE				DA204K T146	G2070388			
J 1001	CONNECTOR				5124-08BHPB	P1090372			
J 1002	CONNECTOR				5124-08BHPB	P1090372			
L 1001	COIL 05RF				31U R12-G458X	L0021863			
Q 1001	IC				MC3361CDR2	G1092306			
Q 1002	IC				TA75S558F (TE85R)	G1092284			
Q 1003	TRANSISTOR				2SC4047-TA	G3340477			
Q 1004	TRANSISTOR				2SC2812L5-TA	G3328127E			
Q 1005	TRANSISTOR				2SC2812L5-TA	G3328127E			
Q 1006	TRANSISTOR				2SC4047-TA	G3340477			
Q 1007	TRANSISTOR				FMC2 T148	G3070051			
R 1001	CHIP RES.	820ohm	1/10W	5%	RMC1/10T 821J	J24205821			
R 1002	CHIP RES.	4.7kohm	1/10W	5%	RMC1/10T 472J	J24205472			
R 1003	CHIP RES.	1kohm	1/10W	5%	RMC1/10T 102J	J24205102			
R 1004	CHIP RES.	470kohm	1/10W	5%	RMC1/10T 474J	J24205474			
R 1005	CHIP RES.	1.5kohm	1/10W	5%	RMC1/10T 152J	J24205152			
R 1006	CHIP RES.	15kohm	1/10W	5%	RMC1/10T 153J	J24205153			
R 1007	CHIP RES.	10kohm	1/10W	5%	RMC1/10T 103J	J24205103			
R 1008	CHIP RES.	3.3kohm	1/10W	5%	RMC1/10T 332J	J24205332			
R 1009	CHIP RES.	33kohm	1/10W	5%	RMC1/10T 333J	J24205333			
R 1011	CHIP RES.	27kohm	1/10W	5%	RMC1/10T 273J	J24205273			
R 1012	CHIP RES.	150kohm	1/10W	5%	RMC1/10T 154J	J24205154			
R 1013	CARBON FILM RES.	390ohm	1/6W	5%	RD16TPJ391 390	J07225391			

FM-1 (FM Unit option)

REF.	DESCRIPTION	VALUE	WV	TOL.	MFGR'S DESIG	YAESU P/N	VERS.	LOT.	LAY ADR
R 1014	CHIP RES.	18kohm	1/10W	5%	RMC1/10T 183J	J24205183			
R 1015	CHIP RES.	4.7kohm	1/10W	5%	RMC1/10T 472J	J24205472			
R 1016	CHIP RES.	4.7kohm	1/10W	5%	RMC1/10T 472J	J24205472			
R 1017	CHIP RES.	5.6kohm	1/10W	5%	RMC1/10T 562J	J24205562			
R 1018	CHIP RES.	47kohm	1/10W	5%	RMC1/10T 473J	J24205473			
R 1019	CHIP RES.	3.3kohm	1/10W	5%	RMC1/10T 332J	J24205332			
R 1020	CHIP RES.	100kohm	1/10W	5%	RMC1/10T 104J	J24205104			
R 1021	CHIP RES.	1.8kohm	1/10W	5%	RMC1/10T 182J	J24205182			
R 1022	CHIP RES.	4.7kohm	1/10W	5%	RMC1/10T 472J	J24205472			
R 1023	CHIP RES.	10kohm	1/10W	5%	RMC1/10T 103J	J24205103			
R 1024	CHIP RES.	33kohm	1/10W	5%	RMC1/10T 333J	J24205333			
R 1025	CHIP RES.	100ohm	1/10W	5%	RMC1/10T 101J	J24205101			
R 1026	CHIP RES.	470ohm	1/10W	5%	RMC1/10T 471J	J24205471			
R 1027	CHIP RES.	10kohm	1/10W	5%	RMC1/10T 103J	J24205103			
R 1028	CHIP RES.	33kohm	1/10W	5%	RMC1/10T 333J	J24205333			
R 1029	CHIP RES.	100ohm	1/10W	5%	RMC1/10T 101J	J24205101			
R 1030	CHIP RES.	470ohm	1/10W	5%	RMC1/10T 471J	J24205471			
R 1031	CHIP RES.	0ohm	1/10W	5%	RMC1/10T 000J	J24205000			
T 1001	COIL 07RF	8.2MHz			8.20M R12-4043A	L0021199			
TH1001	THERMISTOR				157-252-53006TP	G9090053			
VR1001	POT.	2.2kohm			RH0638CJ3R 2.2KB	J51808222			
VR1002	POT.	47kohm			RH0638CS4R 47KB	J51808473			
VR1003	POT.	10kohm			RH0638C14R 10KB	J51808103			
VR1004	POT.	10kohm			RH0638C14R 10KB	J51808103			
X 1001	XTAL HC-49/U	7.76MHz			7.76MHZ	H0103159			
X 1002	XTAL HC-49/U	8.215MHz			8.215MHZ	H0103156			

End of FT-920 Technical Supplement!
LAST PAGE





Downloaded by
RadioAmateur.EU