



SERVICE MANUAL

HF/VHF TRANSCEIVER

IC-746

Downloaded by
RadioAmateur.EU

Icom Inc.

INTRODUCTION

This service manual describes the latest service information for the **IC-746 HF/VHF TRANSCEIVER**.

MODEL	VERSION	SYMBOL
IC-746	U.S.A.	USA
	Europe	EUR
	France	FRA
	Denmark	DEN

To upgrade quality, any electrical or mechanical parts and internal circuits are subject to change without notice or obligation.

DANGER

NEVER connect the transceiver to an AC outlet or to a DC power supply that uses more than 16 V. This will ruin the transceiver.

DO NOT expose the transceiver to rain, snow or any liquids.

DO NOT reverse the polarities of the power supply when connecting the transceiver.

DO NOT apply an RF signal of more than 20 dBm (100 mW) to the antenna connector. This could damage the transceiver's front end.



ORDERING PARTS

Be sure to include the following four points when ordering replacement parts:

1. 10-digit order numbers
2. Component part number and name
3. Equipment model name and unit name
4. Quantity required

<SAMPLE ORDER>

1110002600 S.IC MC1496D IC-746 MAIN UNIT 5 pieces
8810008660 Screw BT M3x8 NI-ZU IC-746 Bottom cover 10 pieces
Addresses are provided on the inside back cover for your convenience.

REPAIR NOTES

1. Make sure a problem is internal before disassembling the transceiver.
2. **DO NOT** open the transceiver until the transceiver is disconnected from its power source.
3. **DO NOT** force any of the variable components. Turn them slowly and smoothly.
4. **DO NOT** short any circuits or electronic parts. An insulated tuning tool **MUST** be used for all adjustments.
5. **DO NOT** keep power ON for a long time when the transceiver is defective.
6. **DO NOT** transmit power into a signal generator or a sweep generator.
7. **ALWAYS** connect a 50 dB to 60 dB attenuator between the transceiver and a deviation meter or spectrum analyzer when using such test equipment.
8. **READ** the instructions of test equipment thoroughly before connecting equipment to the transceiver.

TABLE OF CONTENTS

SECTION 1	SPECIFICATIONS	
SECTION 2	INSIDE VIEWS	
SECTION 3	DISASSEMBLY AND OPTION INSTALLATIONS	
SECTION 4	CIRCUIT DESCRIPTION	
4 - 1	RECEIVER CIRCUITS.....	4 - 1
4 - 2	TRANSMITTER CIRCUITS.....	4 - 4
4 - 3	PLL CIRCUITS.....	4 - 6
4 - 4	ANTENNA TUNER CIRCUITS.....	4 - 7
4 - 5	POWER SUPPLY CIRCUITS.....	4 - 8
4 - 6	PORT ALLOCATIONS.....	4 - 9
SECTION 5	ADJUSTMENT PROCEDURES	
5 - 1	PREPARATION BEFORE SERVICING.....	5 - 1
5 - 2	PLL ADJUSTMENT.....	5 - 2
5 - 3	TRANSMITTER ADJUSTMENT.....	5 - 4
5 - 4	RECEIVER ADJUSTMENT.....	5 - 8
5 - 5	ADJUSTMENT MODE.....	5 - 11
SECTION 6	PARTS LIST	
SECTION 7	MECHANICAL PARTS	
SECTION 8	SEMI-CONDUCTOR INFORMATION	
SECTION 9	BOARD LAYOUTS	
9 - 1	S-LOGIC BOARD.....	9 - 1
9 - 2	DISPLAY BOARD.....	9 - 3
9 - 3	MODE BOARD.....	9 - 3
9 - 4	PHONE BOARD.....	9 - 3
9 - 5	PBT, RIT AND MIC BOARDS.....	9 - 4
9 - 6	TEN-KEY AND FILTER BOARDS.....	9 - 5
9 - 7	MAIN UNIT.....	9 - 7
9 - 8	RF UNIT.....	9 - 9
9 - 9	PA UNIT.....	9 - 11
9 - 10	CTRL AND TUNER UNITS.....	9 - 12
SECTION 10	BLOCK DIAGRAM	
SECTION 11	VOLTAGE DIAGRAM	
11 - 1	GENERAL.....	11 - 1
11 - 2	FRONT UNIT.....	11 - 2
11 - 3	MAIN UNIT (2), (3).....	11 - 3
11 - 4	MAIN UNIT.....	11 - 4
11 - 5	RF UNIT.....	11 - 5
11 - 6	PA AND FILTER UNITS.....	11 - 6
11 - 7	TUENR AND CTRL UNITS.....	11 - 7

SECTION 1 SPECIFICATIONS

■ GENERAL

- Frequency coverage :
 - Receive : 0.030– 60.000 MHz*1
 - 108.000–174.000 MHz*1
 - Transmit : 1.800– 1.999 MHz*2
 - 3.500– 3.999 MHz*2
 - 7.000– 7.300 MHz*2
 - 10.100– 10.150 MHz
 - 14.000– 14.350 MHz
 - 18.068– 18.168 MHz
 - 21.000– 21.450 MHz
 - 24.890– 24.990 MHz
 - 28.000– 29.700 MHz
 - 50.000– 54.000 MHz*2
 - 144.000–148.000 MHz*2

*1except for some frequency ranges

*2depending on version

- Mode : USB, LSB, CW, RTTY, AM, FM
- No. of memory channels : 102 (99 regular, 2 scan edges and 1 call)
- Frequency stability :
 - Less than ± 7 ppm from 1 min. to 60 min. after power ON.
 - After that, rate of stability change is less than ± 1 ppm at 25°C (+77°F). Temperature fluctuations (0°C to +50°C; +32°F to +122°F) less than ± 5 ppm.
- Power supply requirement : 13.8 V DC $\pm 15\%$ (negative ground)
- Current drain (at 13.8 V DC) :
 - Transmit max. power 20.0 A
 - Receive max. audio 2.0 A
 - standby 1.8 A
- Antenna connector : SO-239 $\times 3$ (2 for HF/50 MHz and 1 for 144 MHz bands; 50 Ω)
- Dimensions : 287(W) \times 122.5(H) \times 316(D) mm (projections not included) 11 $\frac{5}{16}$ (W) \times 4 $\frac{13}{16}$ (H) \times 12 $\frac{7}{16}$ (D) in
- Weight (approx.) : 8.9 kg; 19 lb 10 oz
- REMOTE connector : 2-conductor 3.5 (d) mm ($\frac{1}{8}$ "

■ TRANSMITTER

- Output power : 5–100 W (except AM)
- 5–40 W (AM only)
- Modulation system :
 - USB, LSB : Balanced modulation
 - AM : Low power modulation
 - FM : Variable reactance modulation
- Spurious emissions : Less than –50 dB (HF)
- Less than –60 dB (50, 144 MHz)
- Carrier suppression : More than 40 dB
- Unwanted sideband suppression : More than 50 dB
- Δ TX variable range : ± 9.999 kHz
- Microphone connector : 8-pin connector (600 Ω)
- ELE-KEY connector : 3-conductor 6.25 (d) mm ($\frac{1}{4}$ "
- KEY connector : 2-conductor 6.25 (d) mm ($\frac{1}{4}$ "
- SEND connector : Phono (RCA)
- ALC connector : Phono (RCA)

■ RECEIVER

- Receive system :
 - SSB, CW, RTTY : Quadruple-conversion superheterodyne
 - AM, FM : Triple-conversion superheterodyne
- Intermediate frequencies : (Unit: MHz)

Mode	SSB	CW, RTTY	AM	FM
1st	69.0115	69.0106	69.0100	69.0115
2nd	9.0115	9.0106	9.0100	9.0115
3rd	0.455			
4th	0.015625		—	

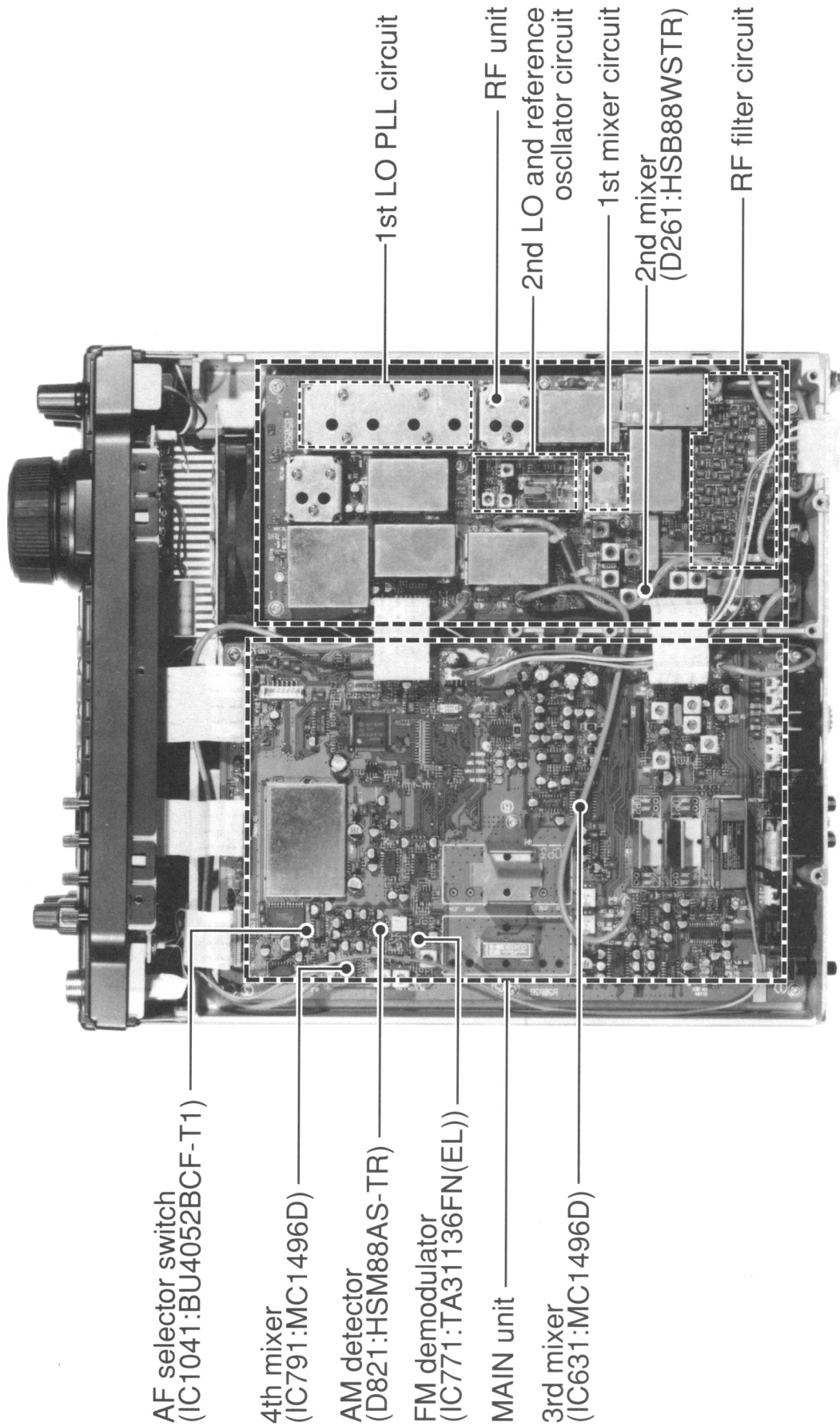
- Sensitivity (typical) :
 - USB, LSB, CW, RTTY (10 dB S/N) : 0.16 μ V*1 (1.8–29.990 MHz)
 - 0.13 μ V*2 (50 MHz)
 - 0.11 μ V*3 (144 MHz)
 - AM (10 dB S/N) : 13 μ V (0.5–1.799 MHz)
 - 2.0 μ V*1 (1.8–29.990 MHz)
 - 1.0 μ V*2,3 (50/144 MHz)
 - FM (12 dB SINAD) : 0.5 μ V*1 (28–29.990 MHz)
 - 0.25 μ V*2 (50 MHz)
 - 0.18 μ V*3 (144 MHz)
- **Preamp-1 ON, **Preamp-2 ON, **Preamp ON
- Selectivity :
 - SSB, CW, RTTY : More than 2.1 kHz/–6 dB
 - Less than 4.0 kHz/–60 dB
 - AM, FM-N : More than 9.0 kHz/–6 dB
 - Less than 20.0 kHz/–40 dB
 - FM : More than 12 kHz/–6 dB
 - Less than 30 kHz/–50 dB
- Squelch sensitivity :
 - USB, LSB, CW, RTTY : Less than 5.6 μ V
 - FM : Less than 1.0 μ V
- Spurious and image rejection ratio: (except IF through on 50 MHz) More than 70 dB (HF, 50 MHz)
- More than 60 dB (144 MHz)
- RIT variable range : ± 9.999 kHz
- Audio output power : More than 2.0 W (at 13.8 V DC with an 8 Ω load)
- PHONE connector : 3-conductor 6.25 (d) mm ($\frac{1}{4}$ "
- SP connector : 2-conductor 3.5 (d) mm ($\frac{1}{8}$ " 8 Ω)

Downloaded by
RadioAmateur.EU

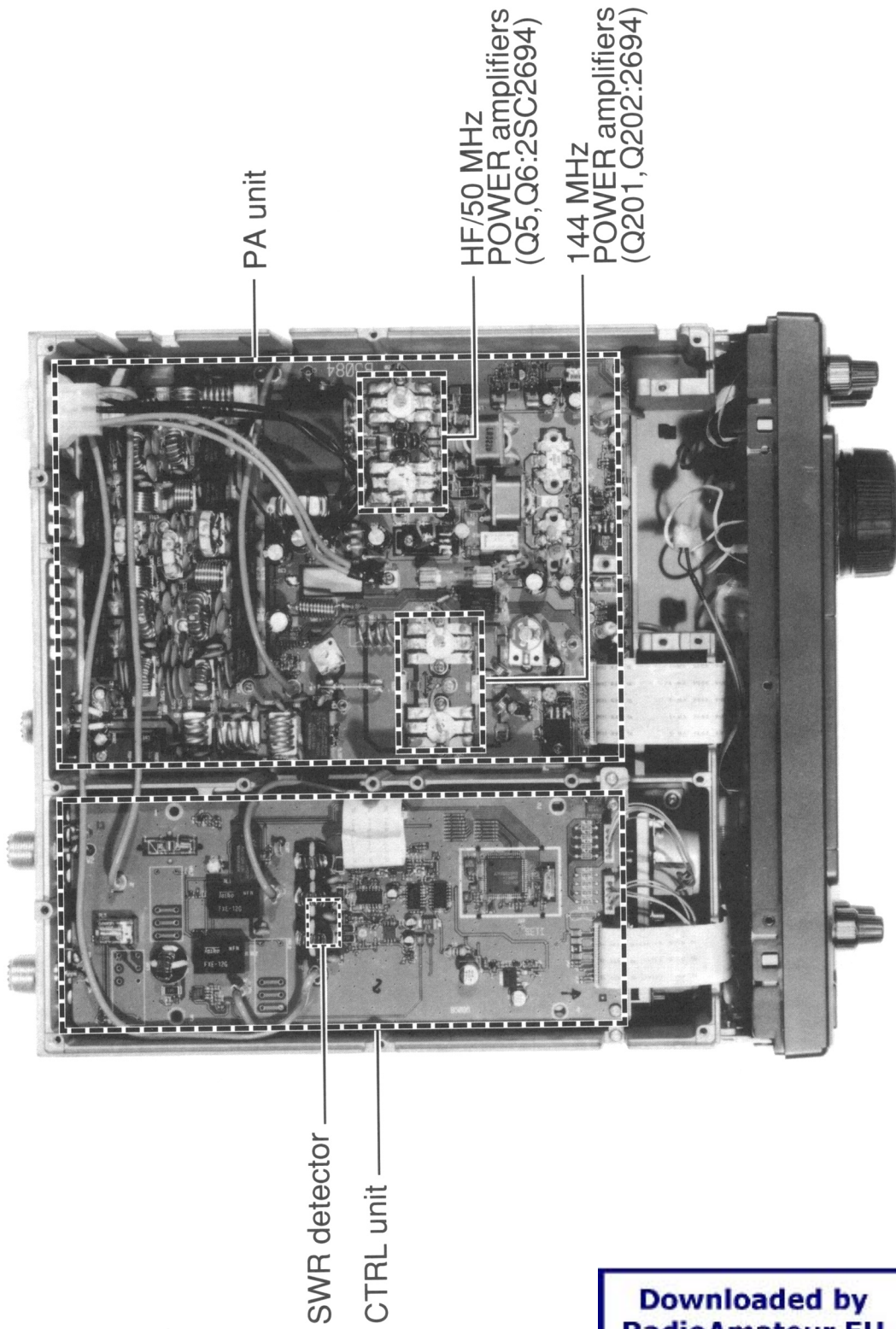
SECTION 2

INSIDE VIEWS

• MAIN AND RF UNITS



• PA AND CTRL UNITS



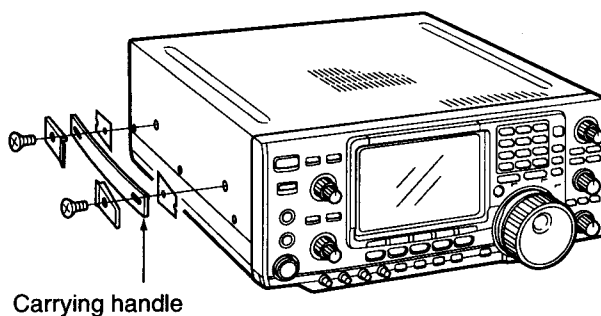
SECTION 3

DISASSEMBLY AND OPTION INSTRUCTIONS

● Opening the transceiver's case

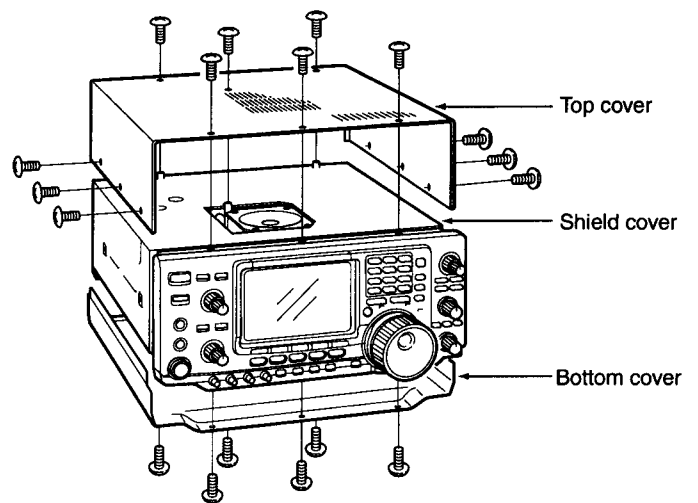
Follow the case and cover opening procedures shown here when you want to install an optional unit or adjust the internal units, etc.

- ① Unscrew 2 screws from the left side of the transceiver to remove the carrying handle as shown below.



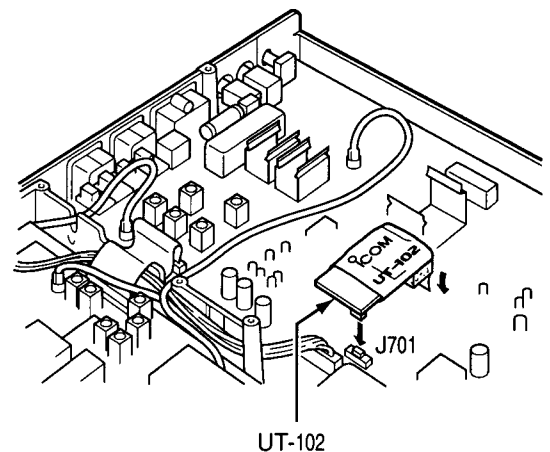
CAUTION: DISCONNECT the DC power cable from the transceiver before performing any work on the transceiver. Otherwise, there is danger of electric shock and/or equipment damage.

- ② Unscrew 6 screws from the top of the transceiver and 4 screws from the sides, then lift up the top cover.
- ③ Turn the transceiver upside down.
- ④ Unscrew 6 screws from the bottom of the transceiver, then lift up the bottom cover.



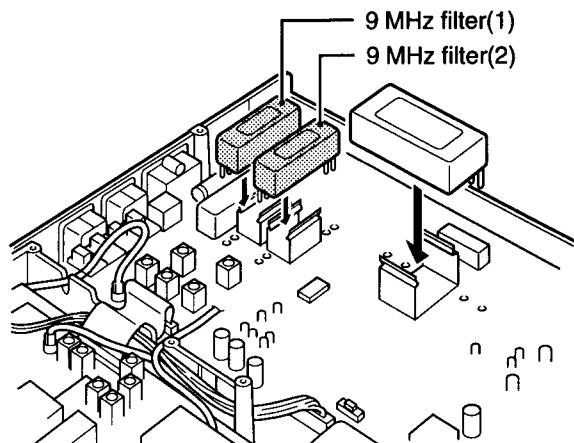
● UT-102 VOICE SYNTHESIZER UNIT

- ① Remove the top and bottom covers as shown above.
- ② Remove the protective paper attached to the bottom of the UT-102 to expose the adhesive strip.
- ③ Plug UT-102 into J701 (SPEECH UT-102) on the MAIN unit as shown in the diagram at right.
- ④ Return the top/bottom covers to their original positions.

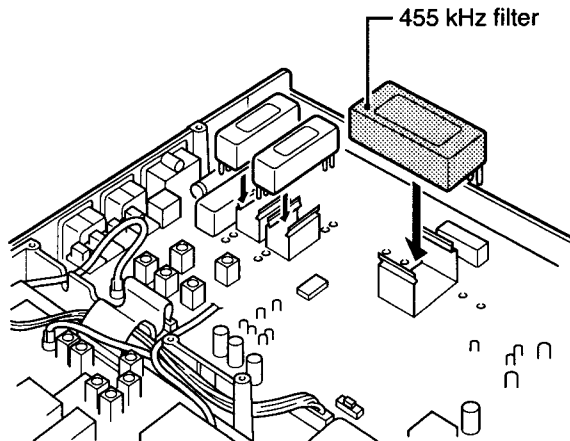


● **Optional IF filters**

- ① Remove the top and bottom covers as shown on the previous page.
- ② Turn the transceiver upside down. Install the desired filter as shown in the diagram at right.
 - The 9 MHz filters can be installed in either direction.
- ③ Replace the top/bottom covers.

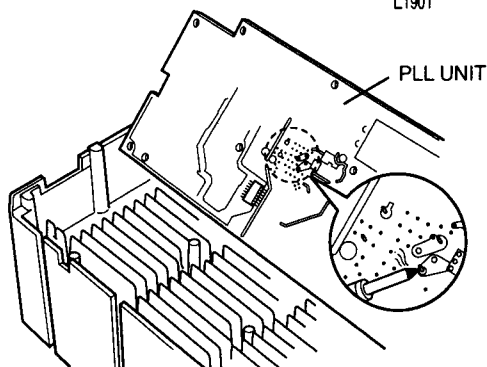
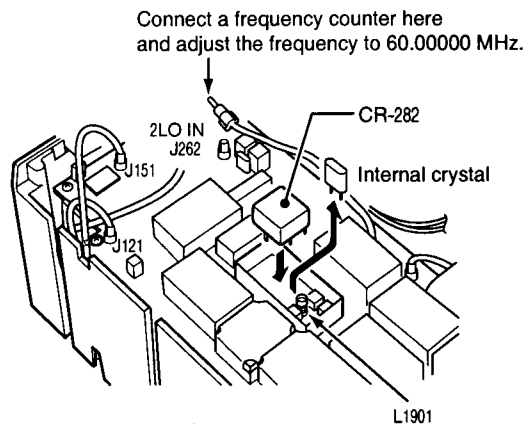


/// **NOTE:** After filter installation, specify the installed filter using set mode. (See instruction manual) Otherwise, the installed filter will not function properly.



● **CR-282 HIGH STABILITY CRYSTAL UNIT**

- ① Remove the top and bottom covers as shown on the previous page.
- ② Turn the transceiver upside down. Unscrew 8 screws from the PLL UNIT, disconnect J121 and J151, then remove the PLL UNIT.
- ③ Remove the supplied internal crystal and replace with the CR-282.
- ④ Adjust the reference frequency using a frequency counter.
- ⑤ Return the PLL UNIT and top/bottom covers to their original positions.



SECTION 4 CIRCUIT DESCRIPTION

4-1 RECEIVER CIRCUITS

4-1-1 RF SWITCHING CIRCUIT (CTRL, RF AND PA UNITS)

The RF switching circuit leads receive signals to bandpass filters from an antenna connector while receiving. However, the circuit leads the signal from the RF power amplifier to the antenna connector while transmitting.

HF/6 m band RF signals from [ANT 1] or [ANT 2] pass through the antenna selector (CTRL unit, RL3), tuner switching (CTRL unit, RL1, RL2), transmit/receive switching (CTRL unit, RL4) relays, and low-pass filter (L27, L28, C63–C66, C105), and are then applied to the RF unit via J2.

The signals from the CTRL unit bypass or pass through the 20 dB attenuator (RF unit, RL1, R1, R2). By selecting the attenuator, 0 (bypass) and 20 dB attenuations are obtained. The signals are then applied to the RF filters.

While operating on the 144 MHz band, the 144 MHz band RF signals from the [144 MHz ANT] are passed through the low-pass filter (PA unit, L601–L603, C602, C604–C609) and transmit/receive switching relay (PA unit, RL601), then applied to the RF unit via P601.

4-1-2 RF FILTER CIRCUIT (RF UNIT)

The RF filter circuit contains 8 bandpass and 2 low-pass filters. Bandpass filters pass only the desired band signals and suppress any undesired band signals.

(1) 0.03–1.6 MHz

The signals are applied to the attenuator and low-pass filter directly (see above at right).

(2) 1.6–60 MHz

The signals pass through the high-pass filter (L2–L4, C4–C7) to suppress excessively strong signals below 1.6 MHz. The filtered signals are applied to a low-pass or one of 8 bandpass filters (see above at right).

(3) 108–174 MHz

The 144 MHz band signals are bypassed or passed through the attenuator (R122), then applied to the tuneable bandpass filter (see above at right).

The filtered signals are applied to the pre-amplifier circuit.

• Used RF filter

Frequency range	Control signal	Input diode	Filter component
0.03–1.6 MHz	B0	D3½	R11–R13, L11–L13, C12–C15
1.6–2 MHz	B1	D11½	L22, L23, C22–C26
2–4 MHz	B2	D7½	L72–L74, C72–C77
4–8 MHz	B3	D31½	L42–L44, C42–C47
8–11 MHz	B4	D51½	L52–L54, C52–C57
11–15 MHz	B5	D51½	L62–L64, C62–C67
15–22 MHz	B6	D71½	L72–L74, C72–C77
22–30 MHz	B7	D31½	L82–L84, C82–C88
30–50 MHz	B8W	D91½	L102, L103, C102–C107
50–54 MHz	B8	D91½	L92–L95, C92–C99
54–60 MHz	B8W	D91½	L102, L103, C102–C107
108–174 MHz	B9R	None (via C125)	D124, D126, L123

4-1-3 PRE-AMPLIFIER CIRCUITS (RF UNIT)

A total of 3 pre-amplifier circuits are employed in the IC-746. 2 for HF/6 m bands and 1 for 144 MHz band operation.

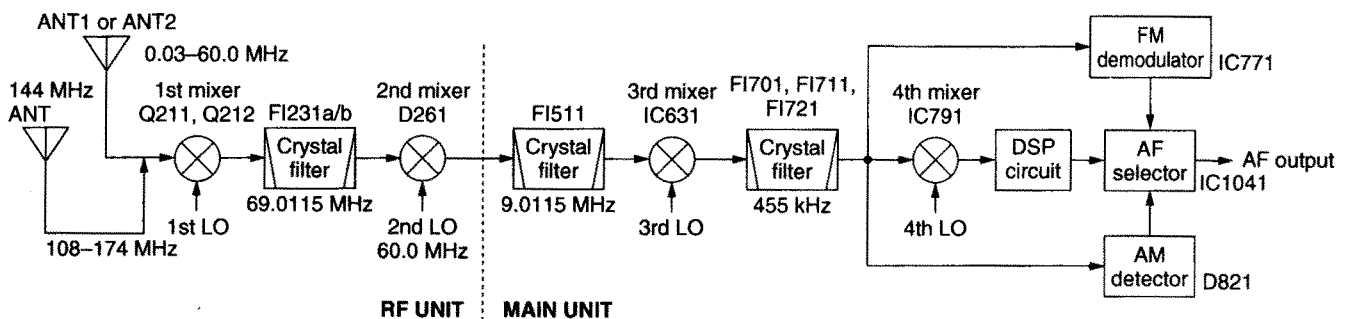
When the pre-amplifier operation is turned OFF, the RF signals bypass this circuit.

When [P.AMP1] is selected, the filtered signals are applied to the pre-amplifier 1 circuit (Q181, Q182), which has 10 dB gain for the 1.8–54 MHz range, and when [P.AMP2] is selected, the signals are applied to the pre-amplifier 2 circuit (IC191), which has 16 dB gain for the 21–60 MHz range. The pre-amplified signals are applied to the 60 MHz cut-out low-pass filter (L211, L212, C211–215, C225).

During 144 MHz band operation, the filtered signals are pre-amplified at the VHF pre-amplifier (Q123) when the [P.AMP] is turned ON, and passed through the tuneable bandpass filter (D127, D129, L125).

The filtered signals are applied to the 1st mixer circuit.

• RECEIVER CONSTRUCTION



4-1-4 1st MIXER AND 1st IF CIRCUITS (RF UNIT)

The 1st mixer circuit mixes the RF signals with the 1st LO signal to be converted into a fixed 69 MHz 1st IF signal.

The signals from the pre-amplifier circuit are applied to the 1st mixer (Q211, Q212) and mixed with the 1st LO signal (69.0415–243.0115 MHz) coming from the 1st LO PLL circuit via an LO amplifier and low-pass filter.

• 1st IF frequency

Mode	Frequency
SSB	69.0115 MHz
CW, RTTY	69.0106 MHz
AM	69.0100 MHz
FM	69.0115 MHz

The mixed 1st IF signal is passed through the MCF (Monolithic Crystal Filter; FI231a) to suppress out-of-band signals. The filtered signal is amplified at the IF amplifier (Q241), filtered at the other MCF (FI231b) and then applied to the 2nd mixer circuit.

When the bandscope function is activated, the 1st LO sweep signal is supplied to the 1st mixer circuit.

4-1-5 2nd MIXER AND 2nd IF CIRCUITS (RF AND MAIN UNITS)

The 2nd mixer circuit mixes the 1st IF signal and 2nd LO signal (60.00 MHz) for conversion to the 2nd IF frequency.

The 1st IF signal from the MCF (RF unit, FI231b) is applied and converted into a 9 MHz 2nd IF signal at the 2nd mixer circuit (RF unit, D261) by being mixed with a fixed 60 MHz 2nd LO signal.

The 9 MHz 2nd IF signal is applied to the MAIN unit via J261, and passed through the bandpass filter (MAIN unit, FI511) to suppress undesired signals such as the 2nd LO signal.

• 2nd IF filters

Used filter	Control signal
Bypass (through)	2FTH
FL-272 (FI571)	2F3K
Option socket 1	2FO1
Option socket 2	2FO2

The filtered signal is amplified at the IF amplifier (MAIN unit, Q521) via the noise blanker gate, passed through one of the bandpass filters, then applied to the 3rd mixer circuit.

The 2nd LO signal is a doubled reference frequency, generated at the reference oscillator (RF unit, X1901: 30.0 MHz) and doubled at Q1903 and Q1904.

4-1-6 3rd MIXER AND 3rd IF CIRCUITS (MAIN UNIT)

The 3rd mixer circuit mixes the 2nd IF signal and the 3rd LO signal to obtain the 3rd IF (455 kHz) signal.

The 2nd IF signal is buffer-amplified at the buffer-amplifier (Q631) and applied to the 3rd mixer circuit (IC631, pin 1). The 3rd LO signal from the 3rd LO PLL circuit is also applied to the 3rd mixer (IC631, pin 10). The mixed signal is output from pin 6, then applied to one of the 3rd IF filters.

• 3rd IF filters

Used filter	Control signal
FL-65 (FI701)	3F3K
SFPC455G (FI711)	3F9K
SFPC455E (FI721)	3F15K
Option socket	3FOP

The filtered signal is amplified at the IF amplifiers (Q751, Q761), then applied to the 4th mixer (IC791), AM demodulator (D821) or the FM demodulator (IC771) circuit according to the operating mode.

4-1-7 4th MIXER CIRCUIT (MAIN UNIT)

The 4th mixer circuit mixes the 3rd IF signal and the 4th LO signal to obtain the 4th IF (15.625 kHz) signal while SSB, RTTY or CW mode is selected.

The 3rd IF signal from the IF amplifier (Q761) is applied to the 4th mixer circuit (IC791, pin 1), and is mixed with the 4th LO signal to be converted into a 4th IF signal. The 4th IF signal is output from pin 12 and applied to the AF selector (IC1041, pins 1).

4-1-8 FM DEMODULATOR CIRCUIT (MAIN UNIT)

While in FM mode, the 3rd IF signal from the IF amplifier (Q751) is applied to the FM IF IC (IC771, pin 5) via the IF amplifier (Q771) where the IF signal is converted into AF signals. The discriminator (X771) is connected to the quadrature detector section (pin 10) for AF detection. The demodulated AF signals are output from pin 9 and applied to the AF selector (IC1041, pin 5) via the de-emphasis circuit (IC931b).

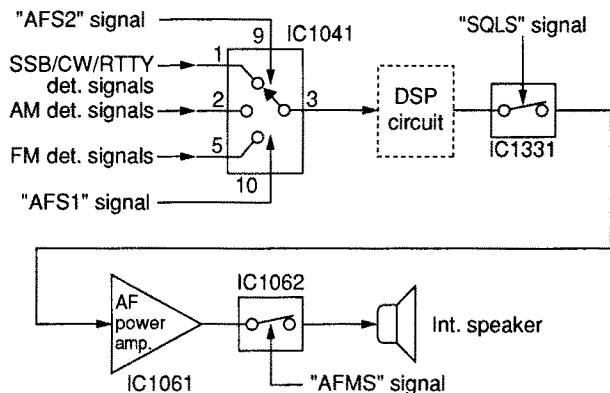
4-1-9 AM DEMODULATOR CIRCUIT (MAIN UNIT)

While in AM mode, the 3rd IF signal from the IF amplifier (Q761) is applied to the AM demodulator (D821) via the buffer amplifier (Q811). The detected audio signals are then applied to the AF selector (IC1041, pin 2).

4-1-10 AF SELECTOR SWITCH (MAIN UNIT)

The AF signals from one of the detector circuits or 4th IF signal are/is applied to the AF selector (IC1041). The AF signals from the AM demodulator are applied to pin 2; those from the FM demodulator are applied to pin 5. The SSB/CW/RTTY IF signal is applied to pin 1. The selected signals are output from pin 3 and applied to the DSP unit.

• AF circuit



4-1-11 DSP RECEIVER CIRCUIT (MAIN UNIT)

The DSP (Digital Signal Processor) enables digital noise reduction, digital PSN (Phase Shift Network) demodulation, digital automatic notch and digital APF (Audio Peak Filter). The signals from the AF selector switch are applied to the demodulator (SSB/CW/RTTY), noise reduction (all modes), APF (CW), notch filter (SSB/AM/FM) circuit in the DSP circuit.

The selected signal(s) from the AF selector (IC1041) is applied to the A/D converter (IC1531) via the IF amplifier (IC1551c), low-pass filter (IC1551a/b) and the buffer amplifier (IC1551d).

The converted signal is applied to the DSP IC (IC1521) for demodulation, automatic notch, audio peak filter and noise reduction, etc. The output signal is applied to the D/A converter (IC1542) to be converted into analog audio signals.

The converted audio signals are buffer amplified at the buffer amplifier (IC1571b), passed through the low-pass filter (IC1571) then applied to the AF amplifier (IC1061) via the squelch switch (IC1331).

4-1-12 AF AMPLIFIER CIRCUIT (MAIN UNIT)

The AF amplifier amplifies the audio signals to a suitable driving level for the speaker.

The AF signals from the squelch switch are amplified at the AF amplifier (IC1061, pins 2–4) and amplifying gain is controlled by the AFGV signal at the VCA (IC1061, pins 7–9). The level controlled AF signals are then applied to the AF power amplifier (IC1101) via the AF mute switch (IC1062). The AF mute switch is controlled by the [AF] control via the sub and main CPUs.

The amplified audio signals are passed through the [PHONES] and [EXT SP] jacks then applied to the internal speaker when no plug is connected to the jacks.

4-1-13 AGC CIRCUIT (MAIN UNIT)

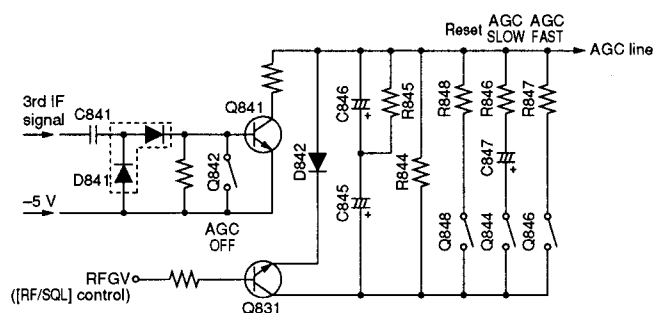
The AGC (Automatic Gain Control) circuit reduces IF amplifier gain to keep the audio output at a constant level.

The receiver gain is determined by the voltage on the AGC line (Q841, collector). Q841 supplies minus voltage to the AGC line and sets the receiver gain with the [RF/SQ] control.

The 3rd IF signal from the IF amplifier (Q761) is buffer amplified at the buffer amplifier (Q811) and is detected at the AGC detector (D841). The detected signal is applied to the AGC amplifier (Q841). -5 V is applied to the AGC amplifier's emitter to activate the AGC line using minus voltage.

When receiving strong signals, the detected voltage increases and the AGC voltage decreases via the AGC amplifier (Q841). As the AGC voltage is used for the bias voltage of the IF amplifiers (Q521, Q751, Q761 and RF unit Q241), IF amplifier gain is decreased.

• AGC CIRCUIT



When the strong signals disappear, the AGC line voltage is released by C845, C846, R844 and R845 while in SSB, CW or RTTY mode. While in AM or FM mode, C847 or R846 is connected in parallel to obtain appropriate AGC characteristics, respectively.

4-1-14 NOISE BLANKER CIRCUIT (MAIN UNIT)

The noise blanker circuit detects pulse-type noise, and turns OFF the signal line when the noise appears.

A portion of the signal from FI511 is amplified at the noise amplifiers (IC861, Q861, Q863), then detected at the noise detector (D861) to convert the noise components to DC voltages.

The signal is then applied to the noise blanker switch (Q865, Q868). At the moment the detected voltage exceeds Q865's threshold level, Q868 outputs a blanking signal to close the noise blanker gate (D511, D512). The PLL unlock signal is also applied to Q868 to control the noise blanker gate.

Some DC voltage from the noise detector circuit is fed back to the noise amplifier (IC861) via the DC amplifiers (Q864, Q862). The DC amplifiers function as an AGC circuit to reduce average noise. Therefore, the noise blanker function shuts off pulse-type noise only.

4-1-15 S-METER CIRCUIT (MAIN UNIT)

The S-meter circuit indicates the relative received signal strength while receiving by utilizing the AGC voltage which changes depending on the received signal strength.

A portion of the AGC bias voltage (time constant line) is applied to the differential amplifier (IC931c, pin 9) where the difference between the AGC and reference voltage is detected.

The detected voltage is applied to the main CPU (IC1704) via the A/D converter (IC1702, pin 12) as the SML signal to indicate the S/Rf indication.

The SML signal is used not only for the S-meter indication, but also for the bandscope function to indicate conditions around the displayed frequency.

4-1-16 SQUELCH CIRCUIT (MAIN UNIT)

The squelch circuit mutes audio output when the S-meter signal is lower than the [RF/SQ] level.

The S-meter signal is applied to the main CPU (IC1704) and is compared with the threshold level set by the [RF/SQ] control. The [RF/SQ] signal is applied to the main CPU via the sub CPU (DISPLAY unit, IC1001). The compared signal is applied to the analog switch (IC1331) to open or close the squelch.

In addition, the noise squelch signal from the FM IF IC is applied to the main CPU in FM mode. A portion of the AF signals from the FM IF IC (IC771, pin 9) are applied to the active filter section (pin 8) where noise components are amplified. The signals are rectified at the noise detector section and then output from pin 14. The resulting signal is applied to the main CPU (IC1704) via the A/D converter (IC1702, pin 1) and via the FMNL signal line.

4-1-17 TWIN PBT CIRCUIT (RF AND MAIN UNITS)

The PBT (PassBand Tuning) circuit shifts the center frequency of IF signal to electronically narrow the passband width. The IC-746 has 2 PBT circuits.

The twin PBT circuit shifts the 2nd and 3rd IF within ± 1.29 kHz or ± 258 Hz. As a result, the 2nd and 3rd IF are shifted from the center frequencies of the 2nd and 3rd IF filters. This means 2nd or 3rd IF signals do not pass through the center of the 2nd or 3rd IF filter. Therefore, the overlap of the 2nd/3rd or 3rd/4th IF filter appears to be narrowed. Since the 3rd and 4th LO frequencies are also shifted the same value as the 2nd and 3rd IF shifts, frequencies are corrected at the detector.

In the IC-746, the 1st LO frequency is shifted to change the 2nd IF because a fixed 2nd LO frequency (60.00 MHz) is used. The 1st IF filter (RF unit, FI231) has a 15 kHz passband width and does not affect PBT operation.

4-1-18 TONE SQUELCH CIRCUIT (MAIN UNIT)

A portion of the detected FM audio signals from the FM demodulator circuit (IC771, pin 9) are applied to the low-pass filter (IC1201a, pins 1–3) to cut-out the 300 Hz or higher audio components and subaudible tone signals only pass through. The filtered signal (subaudible tone) is amplified at the AF amplifier (IC1201b, pins 5–7) and then applied to the main CPU (IC1704, pin 81).

The main CPU detects the frequency of the applied subaudible tone signal and releases the audio mute when a matched tone frequency signal is detected.

4-2 TRANSMITTER CIRCUITS

4-2-1 MICROPHONE AMPLIFIER CIRCUIT (MAIN UNIT)

The microphone amplifier circuit amplifies microphone audio signals to a level needed for the SSB, FM and AM modulation circuits.

Audio signals from the [MIC] connector (pin 1) are applied to an integrated microphone amplifier IC (IC1121, pin 22). This IC contains the microphone amplifier, speech compressor, VOX circuits and VCA for setting the microphone gain.

The audio signals are amplified at the AF and buffer amplifier section, then applied to the VCA and buffer amplifier in the integrated microphone amplifier IC. The amplified and level controlled audio signals are output from pin 9, buffer-amplified at Q1121 and then applied to the modulation circuit.

The microphone gain is set at the VCA section in IC1121 (pins 8–10) using the MIGV signal. The main CPU supplies the MIGV signal, controlled by the [MIC GAIN] control, via the sub CPU (DISPLAY board, IC1001).

4-2-2 MODULATOR CIRCUITS (MAIN UNIT)

The microphone audio signals from the integrated microphone amplifier IC are applied to the modulation selector. The selected audio signals are applied to each modulation circuit.

The microphone audio signals from the microphone amplifier circuit are applied to the modulation selector circuit (IC1191, pins 1, 5, 12), and the mode selected audio signals are applied to each modulation circuit.

(1) SSB mode

When USB or LSB mode is selected, the microphone audio signals are output from pin 13 of the modulation selector (IC1191) then applied to the balanced modulator circuit (IC661, pin 1). The audio signals are mixed with the 3rd LO signal to be converted into a modulated 9 MHz 2nd IF signal. The modulated 2nd IF signal is still DSB (Double Side Band), and is therefore filtered to suppress the unwanted sideband signals at the bandpass filter (FI571), and converted to an SSB signal. The 2nd IF signal is applied to the transmitter IF circuit.

(2) FM mode

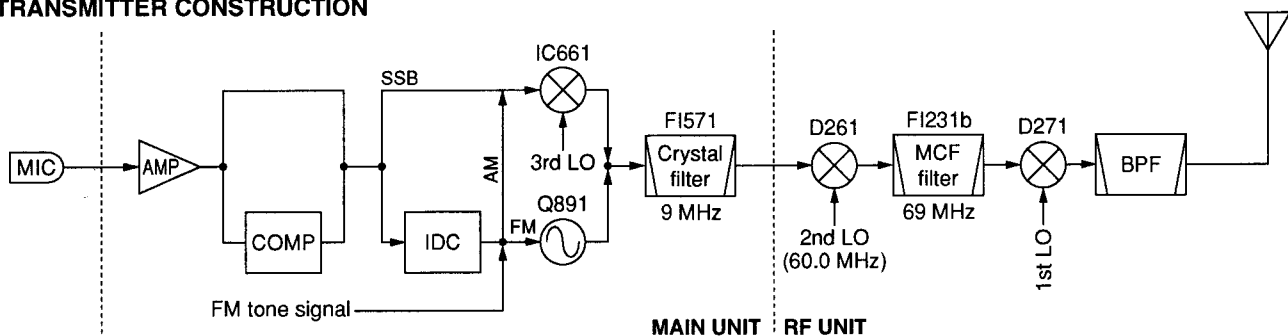
When FM mode is selected, the microphone audio signals are output from pin 3, then applied to the pre-emphasis circuit (IC1161a, pin 1–3), where they are provided with +6 dB/octave pre-emphasis characteristics. The pre-emphasized signals are amplified at the IDC amplifier (IC1161b, pins 5–7), then applied to the FM modulator (D891) in the FM oscillator circuit (FM VCO: Q891) via the deviation adjustment pot (R1184). The audio signals change the reactance of D891 to obtain FM modulation and the 2nd IF signal, and are then applied to the transmitter IF circuit.

The IDC amplifier limits the audio passband width, and the W/N switch (Q1162) adjusts the maximum deviation level controlled by the FMNS signal from the main CPU (IC1704, pin 23).

(3) AM mode

When AM mode is selected, the amplified audio signals from the IDC amplifier (IC1161b, pin 7) are fed back to the modulation selector (IC1191, pin 14) via the modulation level adjustment pot (R1181). The switched audio signals are output from pin 13 then applied to the balanced modulator circuit (IC661, pin 1). The audio signals are mixed with the 3rd LO signal to be converted into a modulated 9 MHz 2nd IF signal.

• TRANSMITTER CONSTRUCTION



In AM mode, the connected Q681 and R683 are activated, and provide an unbalanced condition to the balanced modulator. Thus the balanced modulator provides AM modulation.

(4) CW, RTTY modes

When CW or RTTY mode is selected, DC voltage is applied to the balanced modulator to replace the audio signals. Thus the modulator becomes unbalanced and provides a carrier signal.

4-2-3 VOX CIRCUIT (MAIN UNIT)

The VOX (Voice-Operated-Transmission) circuit sets transmitting conditions according to voice input.

When the VOX function is activated, a portion of the microphone signals are buffer-amplified at IC1121 (pins 19, 20) and applied to main CPU (IC1704, pin 79) via the VOXL line. A portion of the power amplified AF signals from the AF power amplifier (IC1101) are buffer-amplified at IC1121 (pins 14, 15) and applied to the main CPU (IC1704, pin 80) via the AVXL line. Then the main CPU compares these and controls the transmitter circuit.

4-2-4 SPEECH COMPRESSOR CIRCUIT (MAIN UNIT)

The speech compressor compresses the microphone audio signals to increase the average talk power.

When the speech compressor function, [CMP], is ON, the amplified microphone audio signals from the AF amplifier section in IC1121 are buffer amplified at the buffer amplifier section in the IC, which is gain controlled by the limiter circuit (D1123, D1124, R1139) to obtain an average audio level.

The amplified signals are applied to the modulation circuit.

4-2-5 IF AMPLIFIER AND MIXER CIRCUITS (MAIN AND RF UNITS)

The modulated 2nd IF signal from one of the modulator circuits is bypasses or passes through the bandpass filter (MAIN unit, F1571), and is then applied to the IF amplifier (MAIN unit, Q541). The amplified signal is applied to the 2nd mixer circuit (RF unit, D261) to obtain a 69 MHz 1st IF signal. The 1st IF signal is passed through the MCF (RF unit, F1231b) to cut-off the undesired signals then amplified at the IF amplifier (RF unit, Q271) via the T/R switch (RF unit, D251). The amplified 1st IF signal is applied to the mixer circuit (RF unit, D271) for conversion into an operating RF frequency signal.

The mixed signal is then applied to the RF circuit.

4-2-6 RF AND PA CIRCUITS (RF AND PA UNITS)

The RF circuit amplifies the operating (transmitting) frequency to obtain 100 W of RF output.

The signal from the mixer circuit is passed though one of the low-pass or bandpass filters (refer to page 4-1 for RF filter used) after passing through the low-pass filter (RF unit, L285, L286, C287-C289, C291). The filtered RF signal is amplified at the YGR amplifier (RF unit, IC151), then applied to the PA unit.

The signal applied from the RF unit is amplified at the 2 pre-drive (PA unit, Q1, Q2) and drive (PA unit, Q3, Q4) amplifiers. These amplifiers cover all HF, 50 MHz and 144 MHz band amplifying operation.

When operating on the HF or 50 MHz band, the signal from the drive amplifier is power amplified at the HF/50 MHz power amplifier (PA unit, Q5, Q6) via the band switching relay (PA unit, RL2). However, the 144 MHz signal is power amplified at the 144 MHz power amplifier (PA unit, Q201, Q202) to obtain a stable 100 W of RF output power.

The amplified signal is applied to the desired antenna connector via one of 8 low-pass filters.

4-2-7 ALC CIRCUIT (MAIN UNIT)

The ALC (Automatic Level Control) circuit controls the gain of IF amplifiers in order for the transceiver to output a constant RF power set by the [RF PWR] control even when the supplied voltage shifts, etc.

The RF power level is detected at the SWR detector circuit (HF/50 MHz bands; CTRL unit, D2, 144 MHz band; PA unit, D602) to be converted into DC voltage and applied to the MAIN unit as the FOR (HF/50 MHz) or VFOR (144 MHz) signal.

The FOR or VFOR signal is applied to the comparator (IC971b, pin 6). The POCV signal, controlled by the [RF PWR] control via the sub CPU (IC1001, pin 95), is also applied to the other input (pin 5) for reference. The compared signal is output from pin 7 and applied to the IF amplifiers in the MAIN (Q541) and RF (Q271) units to control amplifying gain.

When the FOR or VFOR signal exceeds the POCV voltage, ALC bias voltage from the comparator controls the IF amplifiers. This adjusts the output power to a specified level from the [RF PWR] control until the FOR and POCV voltages are equalized.

In AM mode, the comparator operates as an averaging ALC amplifier. Q984 turns ON and the POCV voltage is shifted for 40 W AM output power (maximum) through R994.

The ALC bias voltage is also applied to the ALC meter amplifier (IC971a, pin 2) to obtain an ALC meter signal (ALCL). The amplified signal is applied to the main CPU (IC1704, pin 78) to drive the S/RF meter via the sub CPU on the FRONT unit.

An external ALC input from the [ALC] jack or [ACC] sockets is applied to the buffer amplifier (Q986). External ALC operation is identical to that of the internal ALC.

The FOR signal is also applied to the power meter amplifier (IC931a, pin 3). The amplified signal is applied to the main CPU (IC1704) after being switched by the analog switch (IC1702, pins 14, 13) as an FORL signal to drive the S/RF meter via the sub CPU (FRONT unit, IC1001).

4-2-10 APC CIRCUIT (MAIN UNIT)

The APC (Automatic Power Control) circuit protects the power amplifiers on the PA unit from high SWR and excessive current.

The reflected wave signal appears and increases when the connected antenna is mismatched to 50 Ω. The SWR detector circuit (HF/50 MHz bands; CTRL unit, D1, 144 MHz band; PA unit, D603) detects the reflected signal, and applies it to the APC circuit (IC971c, pin 9) as a REF (HF/50 MHz) or VREF (144 MHz) signal.

When the REF signal level increases, the APC circuit decreases the ALC voltage to activate the APC.

For the current APC, the power transistor current is obtained by detecting the voltages (ICH and ICL) which appear at both terminals of the current detector (PA unit, R28). The detected voltages are applied to the differential amplifier (IC971d, pins 12, 13). When the current of transistors is increased, the amplifier controls the ALC line to prevent excessive current flow.

A portion of the REF and VREF signal is applied to the SWR meter amplifier (IC931d, pin 12). The amplified signal is applied to the main CPU (IC1704) after being switched by the analog switch (IC1702, pins 5, 3) as an REFL signal to drive the SWR meter.

4-2-11 TEMPERATURE PROTECTION CIRCUIT (PA UNIT)

The cooling fan (MF1) is activated while transmitting or when the temperature of the power amplifier exceeds the preset value. The temperature protection circuit consists of Q10–Q13, R50 and R206.

While transmitting, Q10 and Q12 are turned ON, and provide a voltage to the cooling fan to rotate at medium speed. The thermistor, R50, detects the temperature of Q5 (R206 for Q202), and activates Q11 and Q13 to accelerate the cooling fan when the detected temperature exceeds 70°C (158°F). The cooling fan rotates at high speed at 80°C (176°F) or more.

The thermistor keeps the cooling fan rotating even while receiving until the Q5 or Q206 temperature drops to 60°C (140°F) or below.

4-2-12 MONITOR CIRCUIT (MAIN UNIT)

The microphone audio signals can be monitored to check voice characteristics.

A portion of the microphone audio signals from the buffer amplifier (Q1121) are applied to the analog switch (IC1081, pin 5). The switched audio signals are amplified at the AF amplifier (IC1082, pins 2–4), and then applied to the VCA (IC1081, pins 6–8) to control the monitor gain. The gain controlled audio signals are applied to the AF amplifier circuit.

4-3 PLL CIRCUITS

4-3-1 GENERAL

The PLL circuits generate a reference frequency (30.000 MHz); 1st LO frequencies (69.04–243.0115 MHz); 2nd LO frequency (60 MHz), 3rd LO frequency (9.465 MHz); 4th LO frequency (455 kHz), CW side tones (300–900 Hz) and FM subaudible (67.0–254.1 Hz) tones.

The 1st LO PLL adopts a mixer-less dual loop PLL system and has 4 VCO circuits which cover from 30 kHz to 174 MHz. The LOs, except the 2nd, use DDSs while the 2nd LO uses the fixed frequency of the crystal oscillator.

4-3-2 1st LO PLL CIRCUIT (RF UNIT)

The 1st LO PLL contains a main and reference loop as a dual loop system.

The reference loop generates a 10.506 to 10.543 MHz frequency using a DDS circuit, and the main loop generates a 69.04 to 243.0115 MHz frequency using the reference loop frequency.

(1) REFERENCE LOOP PLL

The oscillated signal at the reference VCO (Q1301, D1301) is amplified at the amplifiers (Q1302, Q1102) and is then applied to the DDS IC (IC1101, pin 46). The signal is then divided and detected on phase with the DDS generated frequency.

The detected signal output from the DDS IC (pin 56) is converted into DC voltage (lock voltage) at the loop filter (R1135, R1138, C1121) and then fed back to the reference VCO circuit (Q1301, D1301).

(2) MAIN LOOP PLL

The oscillated signal at one of the main loop VCOs (VCO board, Q1201, D1201, Q1221, D1221, Q1241, D1241, Q1261, D1261) is amplified at the buffer amplifiers (PLL board, IC1802, Q1281) and is then applied to the PLL IC (IC1801, pin 4). The signal is then divided and detected on phase with the reference loop output frequency.

The detected signal output from the PLL IC (pin 13) is converted into a DC voltage (lock voltage) at the loop filter and then fed back to one of the VCO circuits (VCO board, Q1201, D1201, Q1221, D1221, Q1241, D1241, Q1261, D1261).

The oscillated signal from the buffer amplifier (PLL board, IC1802) is also applied to the MAIN unit as a 1st LO signal after being doubled or passed through the low-pass filter.

• Using VCO and 1st LO frequencies

Operating frequency	Using VCO	1st LO frequency
0.03– 7.999999 MHz	Q1201, D1201	69.0415–77.011499 MHz
8.0– 19.999999 MHz	Q1221, D1221	77.0115–89.011499 MHz
20.0– 44.999999 MHz	Q1241, D1241	89.0115–114.011499 MHz
45.0– 60.000000 MHz	Q1261, D1261	114.0115–129.011500 MHz
108.0– 158.999999 MHz	Q1241, D1241	177.0115–228.011499 MHz (with doubler)
159.0– 174.000000 MHz	Q1261, D1261	228.0115–243.011500 MHz (with doubler)

4-3-3 2nd LO AND REFERENCE OSCILLATOR CIRCUITS (RF UNIT)

The reference oscillator (X1901, Q1901) generates a 30.0 MHz frequency for the 3 DDS circuits as a system clock and for the LO output. The oscillated signal is doubled by 2 at the doubler circuit (Q1903, Q1904) and the 60.0 MHz frequency is picked up at the double tuned filter (L1903, L1904). The 60.0 MHz signal is applied to the RF unit as a 2nd LO signal.

4-3-4 3rd and 4th LO CIRCUITS (RF UNIT)

The DDS ICs (IC1601 for 3rd, IC1701 for 4th) generate a 10-bit digital signal using the 30 MHz system clock. The digital signal is converted into an analog wave signal at the D/A converter (R1601–R1620 for 3rd, R1701–R1720 for 4th). The converted analog wave is passed through the bandpass filter (L1602, L1603, L1605, C1609–C1613, C1615–C1617 for 3rd, L1702, L1703, C1707–C1711, C1714, C1715 for 4th) and then applied to the MAIN unit as the 3rd or 4th LO signal.

The 4th LO circuit generates not only the 4th LO signal but also the subaudible tone and CW side tone signals.

4-3-5 MARKER CIRCUIT (RF UNIT)

The divided signal at the DDS circuit (IC1101) is used for the marker signals with the IC-746.

The reference signal for the DDS circuit (30.0 MHz) is divided by 2 to produce an acceptable frequency signal, 15 MHz, with the programmable divider then divided again by 150 to obtain 100 kHz cycle square-wave signals.

The generated marker signals are output from pin 49 of the DDS IC (IC1101) and then applied to the 1st mixer circuit (Q211, Q212) via the mute switch (IC1081) as the MKR signal.

4-4 ANTENNA TUNER CIRCUITS

4-4-1 MATCHING CIRCUIT (TUNER UNIT)

The matching circuit is a T-network. Using 2 tuning motors, the matching circuit obtains rapid overall tuning speed.

Using relays (RL1–RL15), the relay control signals from the antenna tuner CPU (CTRL unit, IC5) via the buffer amplifier (Q1–Q15) ground one of the taps of L3–L12 and add capacitors (C34–C43). After selecting the coils and capacitors, 2 motors (MF1, MF2) adjust C44 and C45 using the antenna tuner CPU (CTRL unit, IC5) and the motor driver (CTRL unit, IC7) to obtain a low SWR (Standing Wave Ratio).

4-4-2 DETECTOR CIRCUITS (CTRL UNIT)

(1) SWR detector

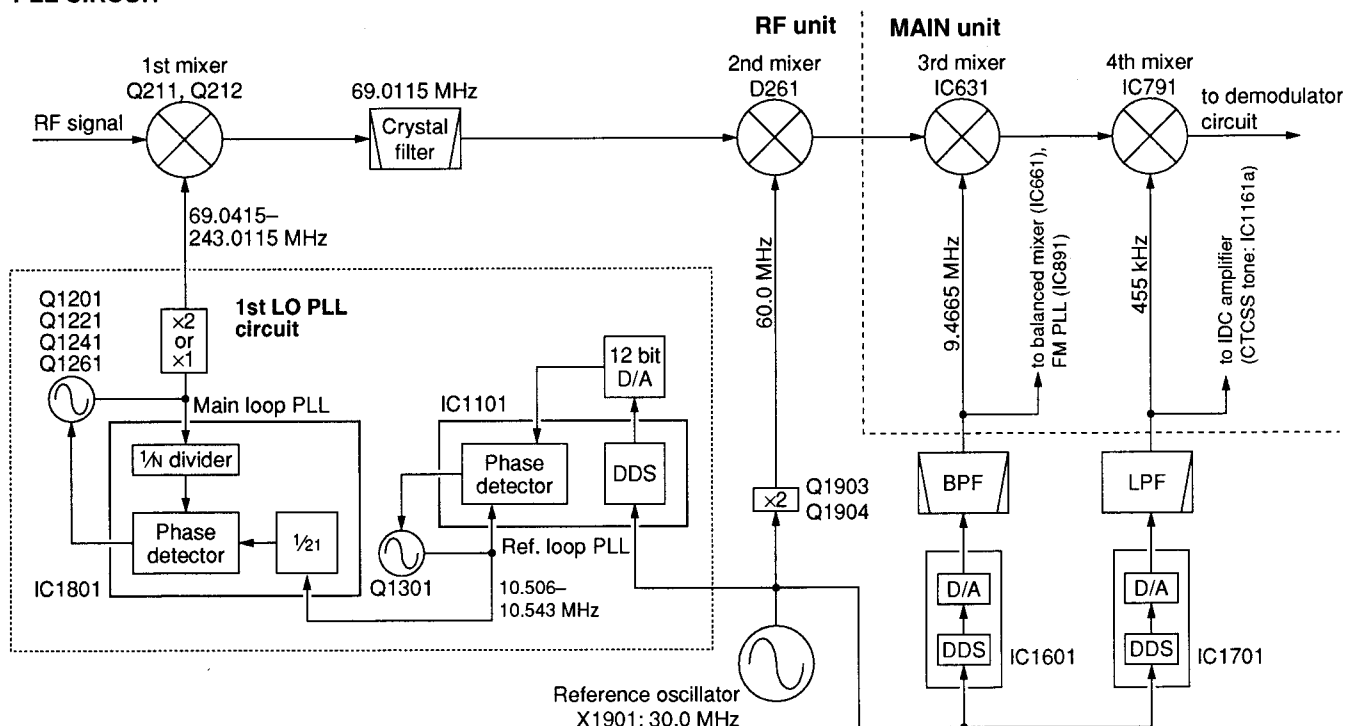
Forward and reflected power are picked up by a current transformer (L1), detected by D2 and D1, and then amplified at IC1a and IC1b, respectively. The amplified voltages are applied to the antenna tuner CPU (IC5, pins 2, 3). The CPU detects the SWR.

(2) Reactance components detector

Reactance components are picked up by comparing the phases of the RF current and RF voltage. The RF current is detected by L4 and R16, buffer-amplified at IC14e and IC2a and then applied to the phase comparator (IC3a). RF voltages are detected by C12–C14 and then applied to the phase comparator (IC3b) after being amplified at the buffer-amplifiers (IC14c, IC2b). The output signal from the phase comparator (IC3a, pin 6 for RF current, IC3b pin 7 for RF voltage) is rectified at D7 and D6 for conversion into DC voltage. The rectified voltage signals are combined, then amplified at the inverter amplifier (IC4b), then applied to the antenna tuner CPU (IC5, pin 64).

A C-MOS IC is used for the buffer-amplifier (IC14) to improve functional sensitivity; the inverter amplifier (IC4) is very responsive even with a low signal level input. Together, these ensure quick and stable signal detection even at low RF signal level input.

• PLL CIRCUIT



(3) Resistance components detector

Resistance components are picked up by L8, and detected by D8, D9 and Q5. The detected resistance components are amplified at the inverter amplifier (IC4a), and then applied to the antenna tuner CPU (IC5, pin 1).

4-4-3 MOTOR CONTROL CIRCUIT

The control circuit of the internal antenna tuner consists of the CPU, EEPROM*, tuning motors and tuning relays.

*Electrically-Erasable Programmable Read Only Memory

(1) CPU and EEPROM (CTRL unit)

The antenna tuner CPU (IC5) controls the tuning motors via the motor driver (IC7) and tuning relays, and memorizes the best preset position in 100 kHz steps. The memory contents are stored in the EEPROM (IC6) without a backup battery.

(2) Tuning motors (CTRL unit)

A motor driver (IC7) rotates the tuning motors (MF1, MF2) to obtain a low SWR.

(3) Tuning relays (TUNER unit)

According to the operating frequency band and antenna condition, tuning relays select the capacitors and coils.

4-4-4 ANTENNA TUNER CPU PORT ALLOCATION (CTRL unit, IC5)

Pin number	Port name	Description
1	AN2	Input port for the resistance components detection voltage.
2	AN1	Input port for the reflected RF power voltage.
3	AN0	Input port for the forward RF power voltage.
4	PWRS	Input port for the transceiver power OFF.
7	SETI	Input port for the reference voltage setting.
13	CIKY	Outputs tuner data signal to the main CPU (MAIN unit, IC1704, pin 94).
15	CIST	Input port for serial signal from the main CPU (MAIN unit, IC1704, pi 93).
17	THRU	Outputs the tuner ON/OFF signal.
19	CORS	Input port for reset signal.
21	TRC	Input port for transmit/receive switching signal.
22, 23	CL1, CL2	Input ports for the antenna tuner CPU system clock.
41-44	P04-P07	Output ports for the tuning motor (MF2) drive signal.
45-48	P00-P03	Output ports for the tuning motor (MF1) drive signal.
64	AN3	Input ports for the reactance components detection voltage.

4-5 POWER SUPPLY CIRCUITS

4-5-1 PA UNIT

Line	Description
H14V	The voltage from an external power supply via the common filter circuit (FILTER unit, L1).
PHV	The same voltage as the H14V line passed through a fuse.
14 VS	The same voltage as the PHV line passed through the switching relay (RL1).
14 V	The same voltage as the 14VS line passed through coils (L22, L23).
P8V	Common 8 V converted from the 14 VS line and regulated by the +8 regulator circuit (IC3).
P5V	Common 5 V converted from the 14 VS line and regulated by the +5 regulator circuit (IC2).
PH5V	Common 5 V converted from the PHV line and regulated by the +5 regulator circuit (IC1).

4-5-2 S-LOGIC BOARD

Line	Description
-8 V	Common -8 V converted from the 14 V line and regulated by the -8 V DC-DC converter (IC401).
-5 V	Common -5 V converted from the -8 V line and regulated by the -5 V regulator (IC402).

4-5-3 MAIN UNIT

Line	Description
R8V	Receive 8 V converted from the 14 V line and regulated by the R8V regulator circuit (Q1231, Q1232).
T8V	Transmit 8 V converted from the 14 V line and regulated by the T8V regulator circuit (Q1221, Q1222).

4-6 PORT ALLOCATIONS

4-6-1 MAIN CPU (MAIN UNIT, IC1704)

Pin number	Port name	Description
2	AFS1	Output detected receive audio select signal to the AF selector (IC1041). High: When AM is selected
3	AFS2	Output detected receive audio select signal to the AF selector (IC1041). High: When FM is selected
4	SQLS	Outputs the squelch switch (IC1331) control signal. Low: While squelch is opened
5	AFMS	Outputs audio mute control signal to the AF mute switch (IC1062). High: When the [AF] control is at the minimum level
6	AGFS	Outputs AGC rate select signal. High: When AGC FAST is selected
7	AGSS	Outputs AGC rate select signal. High: When AGC SLOW is selected
8	AGOS	Outputs AGC rate select signal. High: When AGC OFF is selected
9	AGRS	Outputs AGC rate select signal. High: While scanning, etc.
12, 14	LMFD, LFMD	Output (LMFD)/Input (LFMD) ports for data signal to/from the sub CPU (DISPLAY board, IC1001).
18, 19	MSL1, MSL2	Outputs monitor audio select signal.
20	MICM	Outputs microphone audio mute signal to the modulation selector (IC1191). High: During CW or RTTY operation, etc.
21	AMS	Outputs RF output power reference signal to the ALC circuit. High: When AM is selected
23	FMNS	Outputs FM deviation control signal. High: When FM narrow is selected
24	COMS	Outputs speech compressor control signal. High: When the [CMP] is ON
26	SENI	Input port for the PTT switch or SEND signal from the [ACC 1/2] connectors. High: During transmit
27	TRAS	Output transmit control signal without the PTT switch or SEND signal from the [ACC 1/2] connectors. Low: During transmit
28, 29 30, 31	BSTB, ISTB, ASTB FMST	Outputs strobe signals to the: BSTB: Output expander (RF unit, IC321, IC322) ISTB: Output expander (IC1708) ASTB: D/A convertor (IC1701) FMST: FM IF IC (IC891)
32	ESTA	Outputs external antenna tuner control signal. Low: When [TUNE] switch is pushed
33	TCON	Input port for an external antenna tuner connection detection. High: When an external antenna tuner is connected

MAIN CPU— continued

Pin number	Port name	Description
34	EKEY	Input port for an external antenna tuner. Low: While tuning or when un-tuned
36	NBS	Outputs the NB switch (Q865) control signal. High: When the [NB] is turned ON, except FM
37	NBLS	Outputs the NB switch (Q866) control signal. High: When the [NB] is turned ON, except AM and FM
38	KDS	Outputs transmitter IF circuit control signal without FM mode. High: During transmit
39	FMS	Outputs transmitter IF circuit control signal in FM mode. High: During transmit
40	SSAS	Outputs transmitter IF circuit control signal in SSB or AM mode. High: During transmit
41–43	PHFS, P50S, P2MS	Output the ALC comparater's reference voltage control signal, becomes high when; PHFS: Below 30 MHz is displayed P50S: 30–60 MHz is displayed P2MS: 108–174 MHz is displayed
45	RXS	Outputs the R8 regulator circuit (Q1231, Q1232) control signal. High: While receiving
46	TXS	Outputs the T8 regulator circuit (Q1221, Q1222) control signal. High: While transmitting
47	SSTB	Outputs strobe signals to an optional speech processor, UT-102.
48	SBSY	Input port for an optional speech processor, UT-102, busy signal.
49	ECK	Outputs clock signal for the EEPROM (IC1705).
50, 51	EDTO, EDTI	Output (EDTO)/Input (EDTI) port for the EEPROM (IC1705) data signal.
53	PCK	Outputs clock signal for the PLL circuits.
54	PDAT	Outputs data signal for the PLL circuits.
56	UNLK	Input port for PLL unlock signal. Low: Unlock
58	PST1	Outputs strobe signals for the 1st LO DDS circuit (RF unit, IC1101).
59	PST2	Outputs strobe signals for the 1st LO PLL circuit (RF unit, IC1801).
66, 67	XTAL, EXTAL	Input ports for the system clock signal.
69	PST3	Outputs strobe signals for the 3rd LO DDS circuit (RF unit, IC1601).
70	PST4	Outputs strobe signals for the 4th LO DDS circuit (RF unit, IC1701).
78	ALCL	Input port for the ALC voltage.
79	VOXL	Input port for the VOX voltage.

MAIN CPU— continued

Pin number	Port name	Description
80	AVXL	Input port for the anti-VOX voltage.
81	FMTL	Input port for the CTCSS tone signals.
82	ASO0	Input port for the S-meter or RF meter signal.
83	ASO1	Input port for the FM noise signals or reflected wave signal detection voltage.
84	STON	Outputs CW side tone signal.
85	BEEP	Outputs beep audio signals.
87	PWRK	Input port for the [POWER] switch. Low : While [POWER] is pushed
88	ASL	Outputs the analog switch (IC1702) control signal. High : While transmitting
89	PWRS	Outputs the switching relay (PA unit, RL1) control signal. High : During power ON
90	SKYS	Input port for the [KEY] jack. Low : During key down
91	SQSS	Outputs squelch signal to [MIC] and [ACC 1/2] connectors. High : While squelch is opened
93	ISTA	Outputs internal antenna tuner tuning start signal.
95	ANTS	Outputs antenna selector (CTRL unit, RL3) control signal. High : When [ANT2] is selected
96	FSTB	Outputs strobe signals for the output expander (PA unit, IC502).
97	MCK	Outputs clock signal for the output expanders (RF unit, IC321, IC322).
98	MDAT	Outputs data signal for the output expander (RF unit, IC321).
99	DBST	Outputs strobe signals for the output expanders (RF unit, IC321, IC322).
100	DINT	Outputs strobe signals for the output expanders (MAIN unit, IC1506, IC1507).

4-6-2 SUB CPU (DISPLAY BOARD, IC1001)

Pin number	Port name	Description
1	ASO	Input port for the input expander (IC1002).
7, 8	OSC1, OSC2	Input ports for the system clock.
9	SRES	Input port for the reset signal.
12	MSB	Input port for [DIAL].
14	FIND	Outputs [F-INP] indicator control signal. Low : When [F-INP] is pushed
15	SPLD	Outputs [SPLIT] indicator control signal. Low : When [SPLIT] is pushed
16	LOCD	Outputs [LOCK] indicator control signal. Low : While locked
17	TXD	Outputs [TX] indicator control signal. Low : While transmitting
18	RXD	Outputs [RX] indicator control signal. Low : While squelch is opened
19–21	ASL0–ASL2	Output the analog switch (IC1002) control signals.
25, 26	MDNK MUPK	Input ports for [M-CH] control.
34	DSHK	Input port for [ELEC-KEY] jack, dash signal. Low : During key down
35	DOTK	Input port for [ELEC-KEY] jack, dot signal. Low : During key down
36	TRAK	Input port for [TRANSMIT]. Low : When [TRANSMIT] switch is pushed
37	TUNK	Input port for [TUNER]. Low : When [TUNER] switch is pushed
38	ANTK	Input port for [ANT]. Low : When [ANT] switch is pushed
39	NRK	Input port for [NR]. Low : When [NR] switch is pushed
40	APFK	Input port for [APF/NOTCH]. Low : When [APF/NOTCH] switch is pushed
41	MNUK	Input port for [MENU]. Low : When [MENU] switch is pushed
42	F1K	Input port for [F1]. Low : When [F1] switch is pushed
43	F2K	Input port for [F2]. Low : When [F2] switch is pushed
44	F3K	Input port for [F3]. Low : When [F3] switch is pushed
45	F4K	Input port for [F4]. Low : When [F4] switch is pushed
46	F5K	Input port for [F5]. Low : When [F5] switch is pushed
47	XFCK	Input port for [XFC]. Low : When [XFC] switch is pushed
48	MPWK	Input port for [MP-W]. Low : When [MP-W] switch is pushed

SUB CPU— continued

Pin number	Port name	Description
49	MPRK	Input port for [MP-R]. Low : When [MP-R] switch is pushed
50	SPEK	Input port for [SPEECH]. Low : When [SPEECH] switch is pushed
51	LOCK	Input port for [LOCK]. Low : When [LOCK] switch is pushed
55	LRES	Outputs reset signal to the LCD drivers (IC1006, IC1008, IC1009).
78, 79	CNT1, CNT2	Output LCD contrast control signal. CNT1 : Regular segments CNT2 : Dot matrix
81	BKL	Outputs LCD backlight brightness control signal.
82, 84	RSA, RSB	Input ports for the [RIT/ΔTX] control.
83	MSA	Input port for [DIAL].
86, 87	LMFD, LFHD	Input (LMFD)/Output (LFHD) ports for data signal from/to the MAIN CPU (MAIN unit, IC1704).
90	AFL	Input port for the [AF] control.
91	RFL	Input port for the [RF/SQL] control.
92	NRL	Input port for the [NR] control.
93	APFL	Input port for the [APF] control.
94	MIGL	Input port for the [MIC GAIN] control.
95	PWRL	Input port for the [RF PWR] control.
96	PITL	Input port for the [CW PITCH] control.
97	KYSL	Input port for the [KEY SPEED] control.
98, 99	PBT1, PBT2	Input ports for the [TWIN PBT] control.
100	MUD	Input port for the [UP] and [DN] switches of the connected microphone.

4-6-3 1ST LO DDS IC (RF UNIT, IC1101)

Pin number	Port name	Description
72	MKRS	Outputs the mute switch (IC1081) control signal. High: When [CAL. Marker] is ON and receiving
74	DBLS	Outputs the doubler circuit (Q1401) control signal. High: When 108.0–174.0 MHz band is displayed
75	PAFS	Outputs loop filter select signal. High: When 0.03–7.999999 MHz band is displayed

4-6-4 INPUT EXPANDER (DISPLAY BOARD, IC1002)

Pin number	Port name	Description
1	K14	Input port for the [7 (3)], [18 (6)], [28 (9)] and [144 (ENT)] switches.
2	K16	Input port for the [V/M], [CALL], [M-CL] and [MW] switches.
3	ASO	Outputs data signal to the SUB CPU (IC1001).
4	K17	Input port for the [RIT], [ΔTX] and [CLEAR] switches.
5	K15	Input port for the [F-INP], [SPLIT], [A/B] and [TS] switches.
12	K13	Input port for the [3.5 (2)], [14 (5)], [24 (8)] and [50 (0)] switches.
13	K10	Input port for the [P.AMP/ATT], [NB], [VOX/BK-IN] and [MONITOR] switches.
14	K11	Input port for the [SSB], [CW/RTTY], [AM/FM] and [FILTER] switches.
15	K12	Input port for the [1.8 (1)], [10 (4)], [21 (7)] and [GENE (.)] switches.

4-6-5 OUTPUT EXPANDERS

(1) PA unit, IC502

Pin number	Port name	Description
4	L1S	Outputs low-pass filter control signal. High: While 0.03–1.999999 MHz band is displayed
5	L2S	Outputs low-pass filter control signal. High: While 2.0–4.999999 MHz band is displayed
6	L3S	Outputs low-pass filter control signal. High: While 5.0–7.999999 MHz band is displayed
7	L4S	Outputs low-pass filter control signal. High: While 8.0–14.999999 MHz band is displayed
11	L8S	Outputs low-pass filter control signal. High: While 108.0–174.0 MHz band is displayed
12	L7S	Outputs low-pass filter control signal. High: While 30.0–60.0 MHz band is displayed
13	L6S	Outputs low-pass filter control signal. High: While 22.0–29.999999 MHz band is displayed
14	L5S	Outputs low-pass filter control signal. High: While 15.0–21.999999 MHz band is displayed

(2) RF unit, IC321

Pin number	Port name	Description
4	B0S	Outputs bandpass filter control signal. High : While 0.03–1.599999 MHz band is displayed
5	B1S	Outputs bandpass filter control signal. High : While 1.6–1.999999 MHz band is displayed
6	B2S	Outputs bandpass filter control signal. High : While 2.0–3.999999 MHz band is displayed
7	B3S	Outputs bandpass filter control signal. High : While 4.0–7.999999 MHz band is displayed
11	B7S	Outputs bandpass filter control signal. High : While 22.0–29.999999 MHz band is displayed
12	B6S	Outputs bandpass filter control signal. High : While 15.0–21.999999 MHz band is displayed
13	B5S	Outputs bandpass filter control signal. High : While 11.0–14.999999 MHz band is displayed
14	B4S	Outputs bandpass filter control signal. High : While 8.0–10.999999 MHz band is displayed

(3) RF unit, IC322

Pin number	Port name	Description
4	B8S	Outputs bandpass filter control signal. High : While 50.0–53.999999 MHz band is displayed
5	B8W	Outputs bandpass filter control signal. High : While 30.0–49.999999 MHz and 54.0–60.0 MHz band is displayed
6	B9S	Outputs bandpass filter control signal. High : While 108.0–174.0 MHz band is displayed
7	PR1S	Outputs pre-amplifier circuit (Q181, Q182) control signal. High : When [P. AMP1] is turned ON below 60 MHz band
11	TBPS	Outputs tunable bandpass filter control signal. Low : While 108.0–158.999999 MHz band is displayed
12	ATTS	Outputs attenuator circuit (R4, L1) control signal High : When [ATT] is turned ON
13	PR3S	Outputs pre-amplifier circuit (Q123) control signal. Low : When [P. AMP] is turned ON in 144 MHz band
14	PR2S	Outputs pre-amplifier circuit (IC191) control signal. High : When [P. AMP2] is turned ON below 60 MHz band

(3) MAIN unit, IC1709

Pin number	Port name	Description
4	2F3K	Outputs 9 MHz IF filter control signal. High : When 2.4 kHz filter is selected
5	2FTH	Outputs 9 MHz IF filter control signal. High : When 15 kHz filter is selected
6	2SO1	Outputs 9 MHz IF filter control signal. High : When installed optional filter 1 is selected
7	2SO2	Outputs 9 MHz IF filter control signal. High : When installed optional filter 2 is selected
11	3FOP	Outputs 455 kHz IF filter control signal. High : When installed optional filter is selected
12	3F15	Outputs 455 kHz filter control signal. High : When 15 kHz filter is selected
13	3F9K	Outputs 455 kHz filter control signal. High : When 9 kHz filter is selected
14	3F3K	Outputs 455 kHz filter control signal. High : When 2.4 kHz filter is selected

(4) RF unit, IC1001

Pin number	Port name	Description
4	V1S	Outputs VCO 1 circuit (Q1201) select signal. High : While 0.03–7.999999 MHz band is displayed
5	V2S	Outputs VCO 2 circuit (Q1221) select signal. High : While 8.0–19.999999 MHz band is displayed
6	V3S	Outputs VCO 3 (Q1241) circuit select signal. High : While 20.0–44.999999 MHz and 108–153.999999 MHz band is displayed
7	V4S	Outputs VCO 4 circuit (Q1261) select signal. High : While 45.0–60.0 MHz and 159.0–174.0 MHz band is displayed
11	LOF4	Outputs low-pass filter select signal. Low : While 108.0–174.0 MHz band is displayed
12	LOF3	Outputs low-pass filter select signal. High : While 30.0–60.0 MHz band is displayed
13	LOF2	Outputs low-pass filter select signal. Low : While 8.0–29.999999 MHz band is displayed
14	LOF1	Outputs low-pass filter select signal. High : While 0.03–7.999999 MHz band is displayed

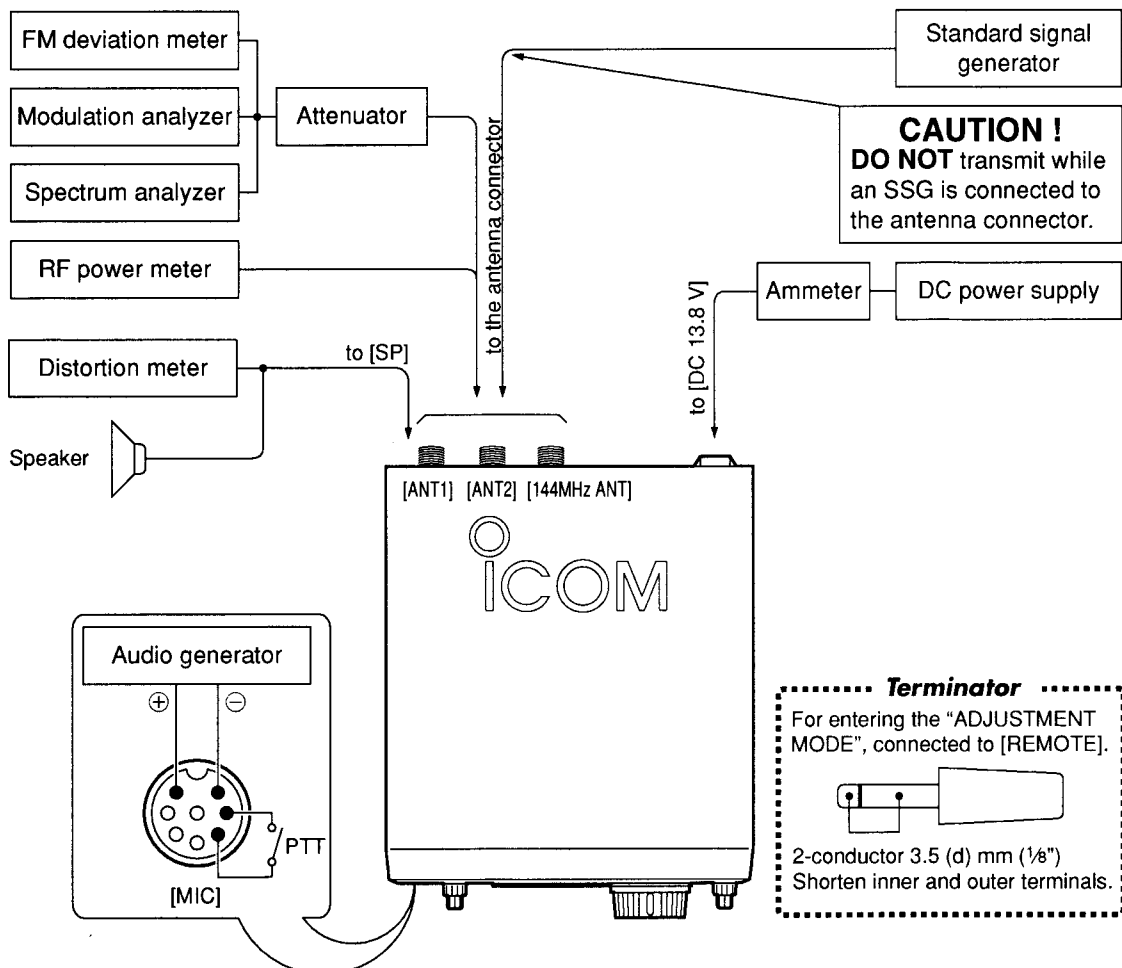
SECTION 5 ADJUSTMENT PROCEDURES

5-1 PREPARATION BEFORE SERVICING

REQUIRED TEST EQUIPMENT

EQUIPMENT	GRADE AND RANGE	EQUIPMENT	GRADE AND RANGE
DC power supply	Output voltage : 13.8 V DC Current capacity : 25 A or more	Audio generator	Frequency range : 300–3000 Hz Output level : 1–500 mV
RF power meter (terminated type)	Measuring range : 100–200 W Frequency range : 1.8–200 MHz Impedance : 50 Ω SWR : Less than 1.2 : 1	Standard signal generator (SSG)	Frequency range : 0.1–200 MHz Output level : 0.1 μV to –32 mV (–127 to –17 dBm)
Frequency counter	Frequency range : 0.1–200 MHz Frequency accuracy : ±1 ppm or better Sensitivity : 100 mV or better	Oscilloscope	Frequency range : DC–20 MHz Measuring range : 0.01–20 V
RF voltmeter	Frequency range : 0.1–200 MHz Measuring range : 0.01–10 V	DC voltmeter	Input impedance : 50 kΩ/V DC or better
FM deviation meter	Frequency range : 0–200 MHz Measuring range : 0 to ±5 kHz	AC millivoltmeter	Measuring range : 10 mV–10 V
Modulation analyzer	Frequency range : At least 200 MHz Measuring range : 0–100%	Digital multimeter	Input impedance : 10 MΩ/V DC or better
Spectrum analyzer	Frequency range : At least 1000 MHz Spectrum bandwidth : ±100 kHz or more	Ammeter	Measuring capacity : 10 A and 30 A
Distortion meter	Frequency range : 1 kHz ±10% Measuring range : 1–100%	External speaker	Impedance : 8 Ω Max. input power : 5 W
		Attenuator	Power attenuation : 50 or 60 dB Capacity : 150 W or more
		Dummy load	Resistance : 50 Ω and 100 or 25 Ω Capacity : 150 W or more

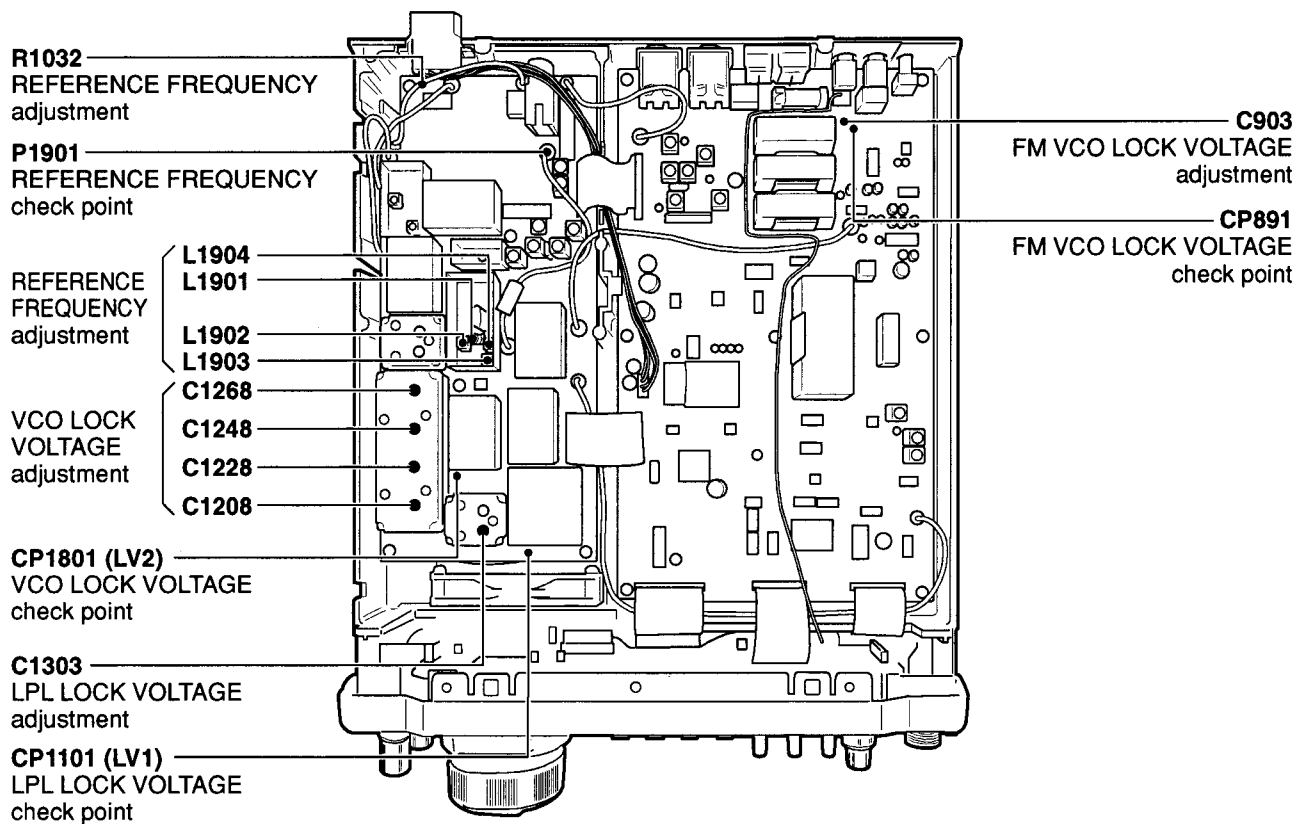
CONNECTION



5-2 PLL ADJUSTMENT

ADJUSTMENT	ADJUSTMENT CONDITIONS	MEASUREMENT		VALUE	ADJUSTMENT	
		UNIT	LOCATION		UNIT	ADJUST
REFERENCE FREQUENCY	1 •Displayed freq. : 14.100000 MHz •Mode : USB •Receiving			Center position	RF	R1032, L1902
	2 •Receiving	RF	Connect an RF volt- meter to P1901.	Max. output (more than 0 dBm)		L1903, L1904
	3 •Receiving		Connect a frequency counter to P1901.	60.000000 MHz		L1901 (L1902 for critical adjustment)
LPL LOCK VOLTAGE	1 •Displayed freq. : 0.030000 MHz •Mode : USB •Receiving	RF	Connect a multimeter to check point, CP1101 (LV1).	2.0 V	RF	C1303
VCO LOCK VOLTAGE	1 •Displayed freq. : 7.999999 MHz •Mode : USB •Receiving	RF	Connect a multimeter to check point, CP1801 (LV2).	4.0 V	RF	C1208
	2 •Displayed freq. : 19.999999 MHz •Mode : USB •Receiving					C1228
	3 •Displayed freq. : 44.999999 MHz •Mode : USB •Receiving					C1248
	4 •Displayed freq. : 60.000000 MHz •Mode : USB •Receiving					C1268
FM VCO LOCK VOLTAGE	1 •Displayed freq. : 145.000000 MHz •Mode : FM •Transmitting	MAIN	Connect a multimeter to check point, CP891.	2.0 V	MAIN	C903

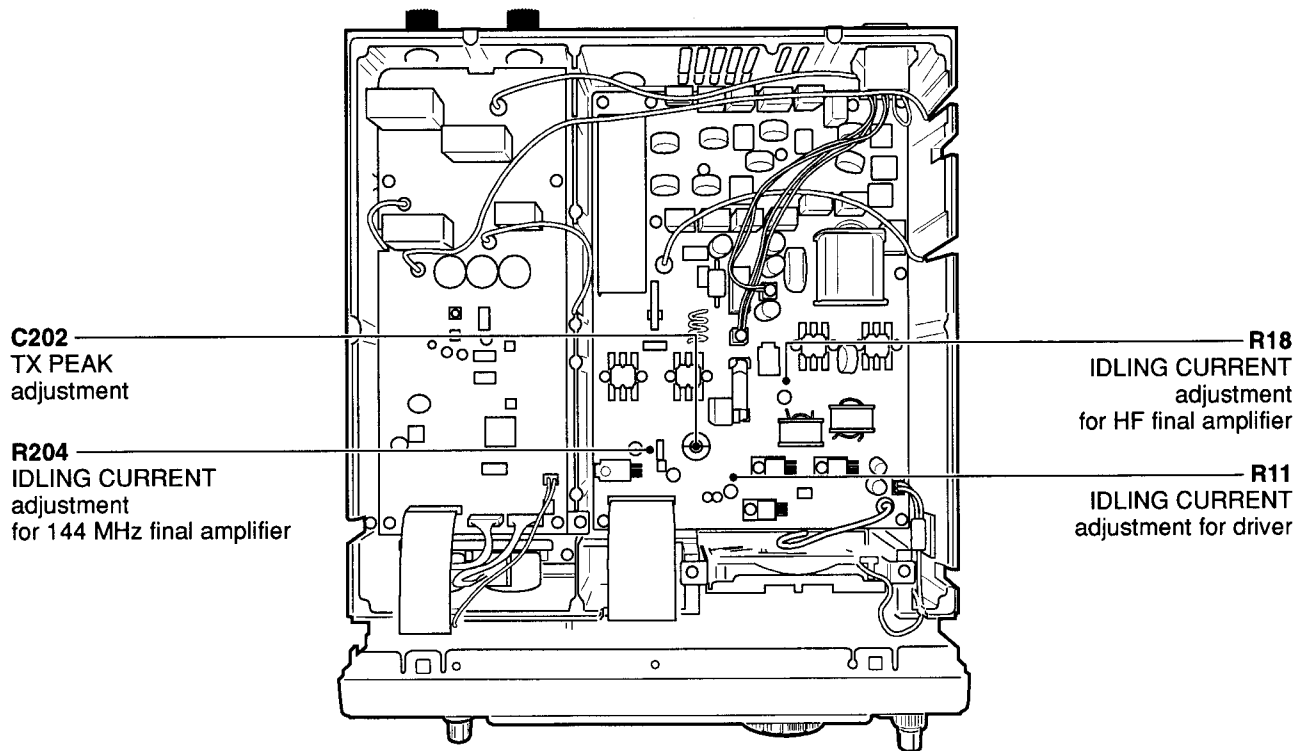
•MAIN and RF units (Bottom side of the transceiver)



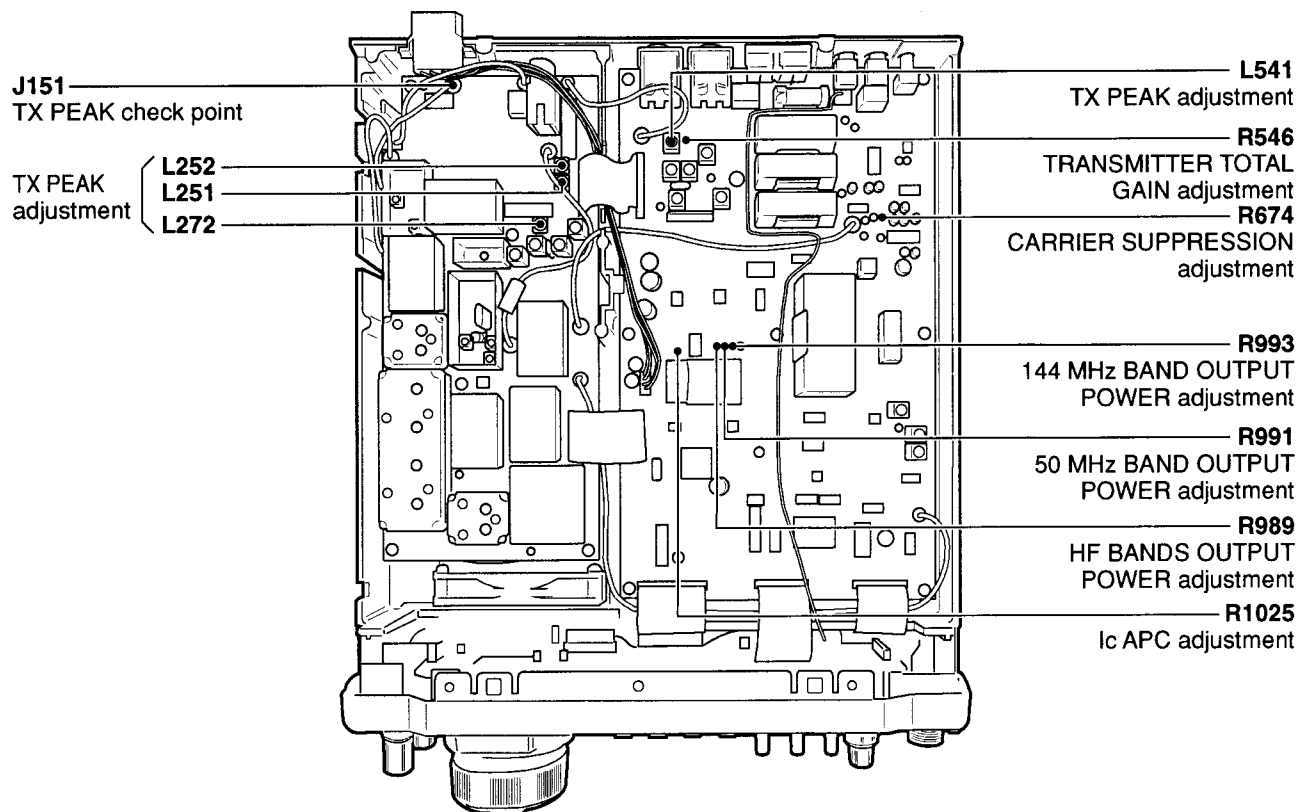
5-3 TRANSMITTER ADJUSTMENT

ADJUSTMENT	ADJUSTMENT CONDITIONS	MEASUREMENT		VALUE	ADJUSTMENT	
		UNIT	LOCATION		UNIT	ADJUST
IDLING CURRENT (for driver)	1 •Displayed freq. : 14.100000 MHz •Mode : USB •Preset R11, R18, R204 on the PA unit to max. CCW and C202 to 90° CW. •[MIC GAIN] : Max. CCW •[RF PWR] : Max. CCW •Apply no audio signals to [MIC] connector. •Transmitting	Rear panel	Connect an ammeter (10 A) between an external power supply and the transceiver.	600 mA higher	PA	R11
	(for HF final amplifier) 2 •Transmitting			600 mA higher		R18
	(for 144 MHz final amplifier) 3 •Displayed freq. : 144.000000 MHz •Transmitting				1.0 A higher	
TX PEAK	1 •Displayed freq. : 14.100000 MHz •Mode : FM •[RF PWR] : Max. CW •Transmitting	RF	Connect a RF voltmeter to J151.	Maximum output	RF	Adjust in sequence L251, L252, L272
	2 •Mode : USB •Connect an audio generator to [MIC] connector and set as: Frequency : 1.5 kHz Level : 3 mV •Transmitting	Rear panel	Connect an RF power meter to [ANT1] connector.	50 W	Front panel	[MIC GAIN] control
	3 •Displayed freq. : 144.000000 MHz except [USA] 146.000000 MHz [USA] only •Mode : RTTY •Transmitting	Rear panel	Connect an RF power meter to [144MHz ANT] connector.	Maximum output power	MAIN	L541
CARRIER SUPPRESSION	1 •Displayed freq. : 14.100000 MHz •Mode : USB •Apply no audio signals to [MIC] connector. •[MIC GAIN] : Max. CCW •Transmitting	Rear panel	Connect an RF power meter to [ANT1] connector.	Minimum output level	PA	C202
TRANSMITTER TOTAL GAIN	1 •Displayed freq. : 14.100000 MHz •Mode : USB •Connect an audio generator to [MIC] connector and set as: Frequency : 1.5 kHz Level : 3 mV •[MIC GAIN] : Center •Transmitting	Rear panel	Connect an RF power meter to [ANT1] connector.	50 W	MAIN	R674
Ic APC	1 •Displayed freq. : 14.100000 MHz •Mode : RTTY •Connect CP981 to GND. •Transmitting	Rear panel	Connect an ammeter (30 A) between an external power supply and the transceiver.	22 A	MAIN	R546
HF BANDS OUTPUT POWER	1 •Displayed freq. : 14.100000 MHz •Mode : RTTY •[RF PWR] : Max. CW •Transmitting	Rear panel	Connect an RF power meter to [ANT1] connector.	100 W	MAIN	R1025
50 MHz BAND OUTPUT POWER	1 •Displayed freq. : 51.000000 MHz •Mode : RTTY •[RF PWR] : Max. CW •Transmitting	Rear panel	Connect an RF power meter to [ANT1] connector.	100 W	MAIN	R989
144 MHz BAND OUTPUT POWER	1 •Displayed freq. : 145.000000 MHz •Mode : RTTY •[RF PWR] : Max. CW •Transmitting	Rear panel	Connect an RF power meter to [144 MHz ANT] connector.	100 W	MAIN	R991
					MAIN	R993

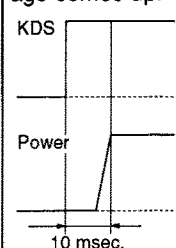
•PA and CTRL units (Top side of the transceiver)



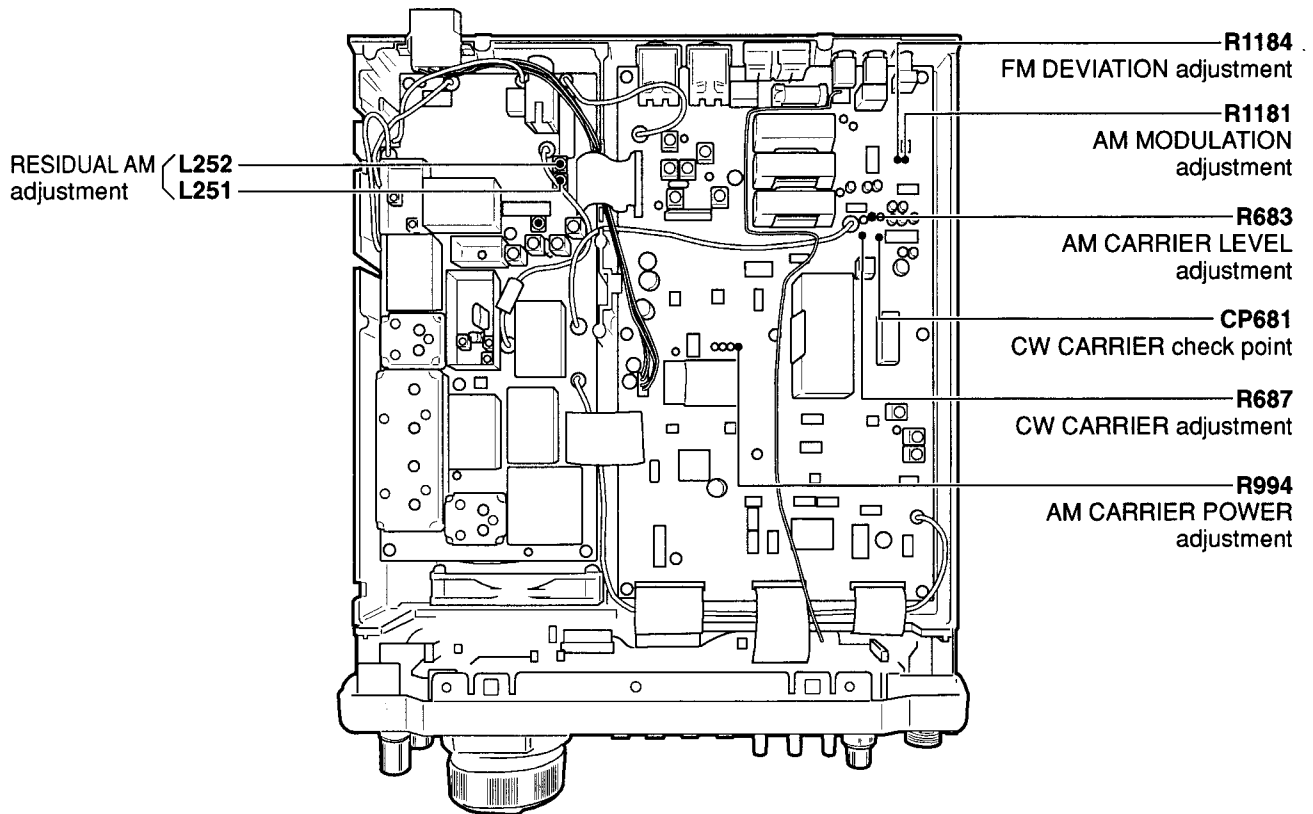
•MAIN and RF units (Bottom side of the transceiver)



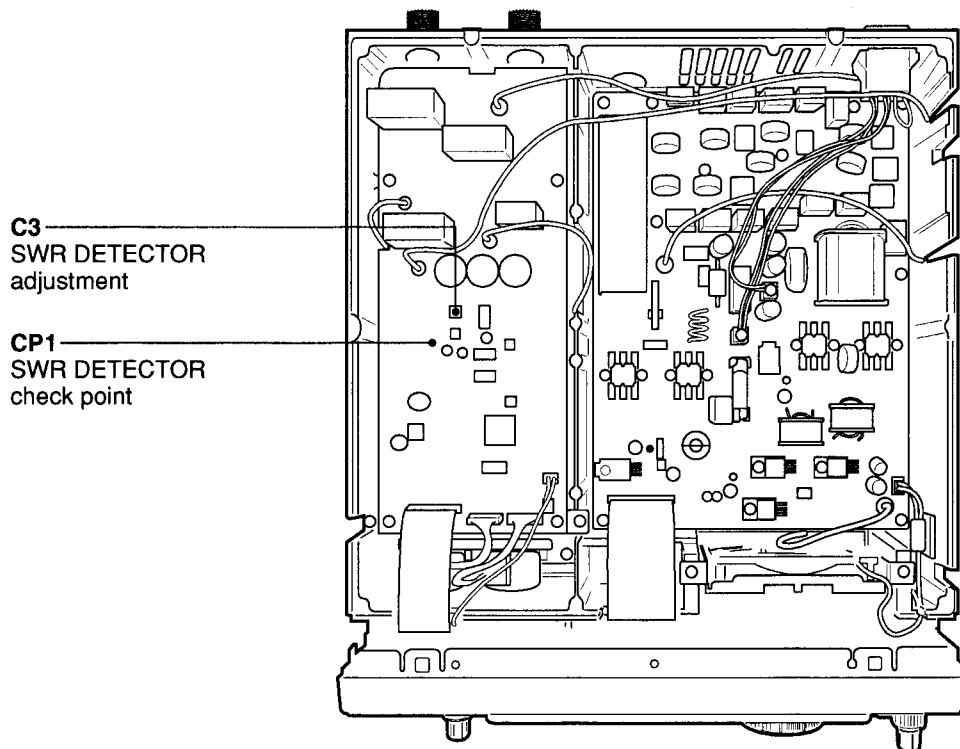
TRANSMITTER ADJUSTMENT—continued

ADJUSTMENT	ADJUSTMENT CONDITIONS	MEASUREMENT		VALUE	ADJUSTMENT	
		UNIT	LOCATION		UNIT	ADJUST
FM DEVIATION	1 <ul style="list-style-type: none"> • Displayed freq. : 29.600000 MHz • Mode : FM • [MIC GAIN] : Center • [RF PWR] : Max. CW • TONE : OFF • Connect an audio generator to [MIC] connector and set as: <ul style="list-style-type: none"> Frequency : 1 kHz Level : 30 mV • Transmitting 	Rear panel	Connect an FM deviation meter to [ANT1] connector through an attenuator.	±4.5 kHz	MAIN	R1184
RESIDUAL AM	1 <ul style="list-style-type: none"> • Displayed freq. : 14.100000 MHz • Mode : FM • [MIC GAIN] : Center • [RF PWR] : Max. CW • TONE : OFF • Connect an audio generator to [MIC] connector and set as: <ul style="list-style-type: none"> Frequency : 1 kHz Level : 30 mV and OFF • Transmitting 	Rear panel	Connect an RF power meter to [ANT1] connector.	Minimum power difference with modulation and no modulation	RF	L251, L252
AM CARRIER LEVEL	1 <ul style="list-style-type: none"> • Displayed freq. : 14.100000 MHz • Mode : AM • Apply no audio signals to [MIC] connector • Transmitting 	MAIN	Connect an RF voltmeter to check point, CP621.	150 mV (PEP)	MAIN	R683
AM CARRIER POWER	1 <ul style="list-style-type: none"> • Displayed freq. : 14.100000 MHz • Mode : AM • [RF PWR] : Max. CW • Transmitting 	Rear panel	Connect an RF power meter to [ANT1] connector.	40 W	MAIN	R994
AM MODULATION	1 <ul style="list-style-type: none"> • Displayed freq. : 14.100000 MHz • Mode : USB • [MIC GAIN] : Center • [RF PWR] : Max. CW • Connect an audio generator to the [MIC] connector and set as: <ul style="list-style-type: none"> Frequency : 1.5 kHz Level : 3 mV • Transmitting 	Rear panel	Connect a modulation analyzer to [ANT1] connector through an attenuator.	70%	MAIN	R1181
CW CARRIER	1 <ul style="list-style-type: none"> • Displayed freq. : 14.100000 MHz • Mode : CW • [RF PWR] : Max. CCW • [KEY SPEED] : Max. CW • Connect a "key" to [ELE-KEY] jack. • Key down (transmitting) 	MAIN and Rear panel	Connect an oscilloscope to check point, CP681 (KDS line) and [ANT1] connector.	At the point where the CW carrier completely comes up in a 10 msec. delay after KDS voltage comes up. 	MAIN	R687
SWR DETECTOR	1 <ul style="list-style-type: none"> • Displayed freq. : 29.700000 MHz • Mode : RTTY • [RF POWER] : Max. CW • [TUNER] : OFF (Through) • Connect a 50 Ω dummy load or an RF power meter to [ANT1] connector. • Transmitting 	CTRL	Connect a multimeter to check point, CP1.	Minimum voltage	CTRL	C3

•MAIN and RF units (Bottom side of the transceiver)



•PA and CTRL units (Top side of the transceiver)

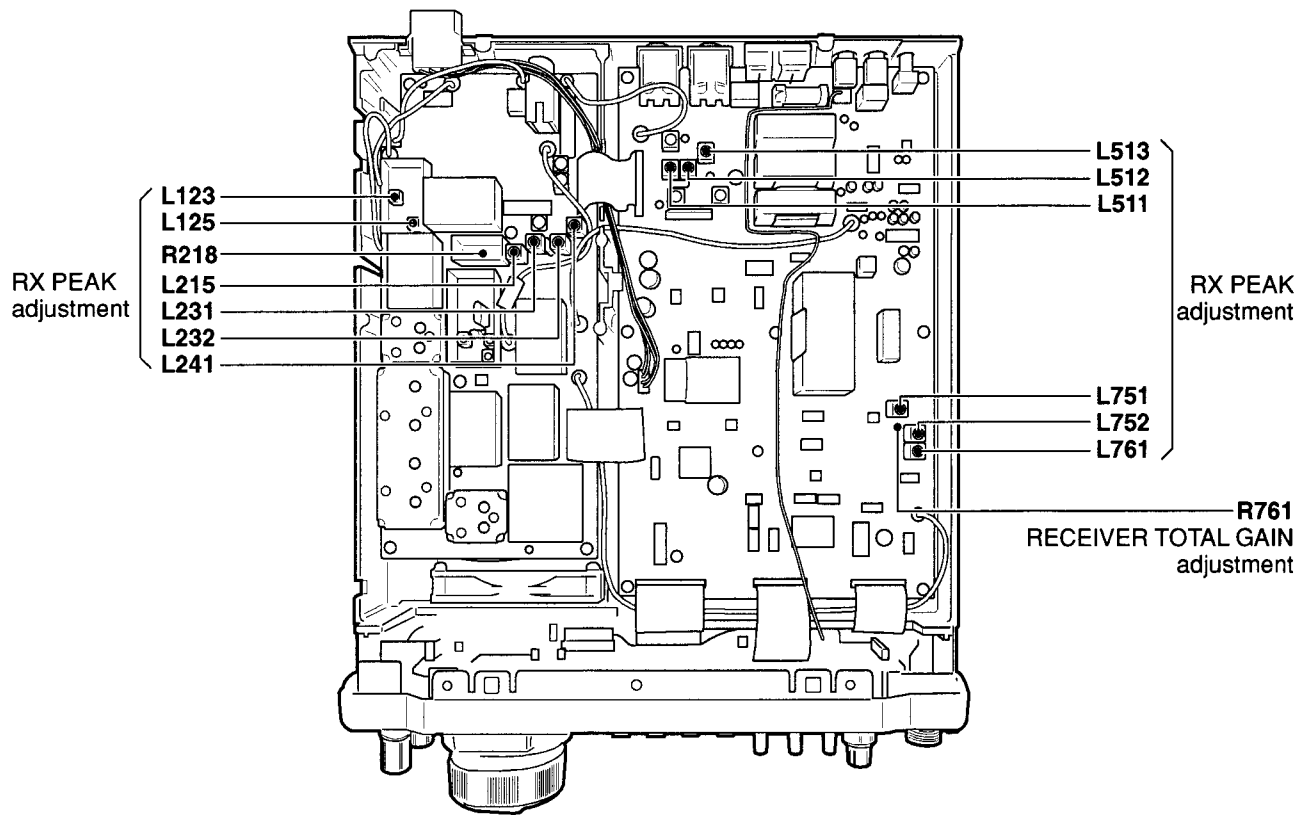


5-4 RECEIVER ADJUSTMENT

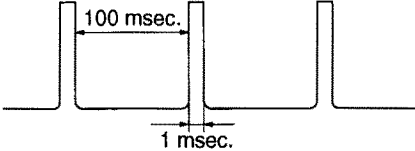
ADJUSTMENT	ADJUSTMENT CONDITIONS	MEASUREMENT		VALUE	ADJUSTMENT			
		UNIT	LOCATION		UNIT	ADJUST		
RX PEAK	1	<ul style="list-style-type: none"> •Displayed freq. : 14.100000 MHz •Mode : USB •[P. AMP1] : ON •[RF/SQ] : 12 o'clock •[ATT] : OFF •Connect an SSG to [ANT1] connector and set as: Frequency : 14.1015 MHz Level : 10 μV* (-87 dBm) Modulation : OFF •Receiving 	Rear panel	Connect an AC millivolt meter to [SP] jack with an 8 Ω load.	Maximum audio level	RF	Adjust in sequence L215, L231, L232, L241	
	2	<ul style="list-style-type: none"> •Displayed freq. : 0.030000 MHz •Apply no RF signal to [ANT1] connector. •Receiving 				Minimum noise level	R218	
	3	<ul style="list-style-type: none"> •Displayed freq. : 145.000000 MHz •Mode : USB •[P. AMP] : ON •[RF/SQ] : 12 o'clock •[ATT] : OFF •Connect an SSG to [144MHz ANT] connector and set as: Frequency : 145.0015 MHz Level : 10 μV* (-87 dBm) Modulation : OFF •Receiving 				Maximum audio level	Adjust in sequence L123, L125	
	4	<ul style="list-style-type: none"> •Mode : FM •Set an SSG as: Frequency : 145.0000 MHz Level : 0.18 μV* (-122 dBm) Modulation : 1 kHz/±3.5 kHz Dev. •Receiving 				Connect a distortion meter to [SP] jack with an 8 Ω load.	Minimum distortion level	L232
	5	<ul style="list-style-type: none"> •Displayed freq. : 14.100000 MHz •Mode : USB •[P. AMP1] : ON •[RF/SQ] : 12 o'clock •[ATT] : OFF •Set IF filter selection as follows: 9 MHz : 2.4 kHz 455 kHz : 2.4 kHz •Connect an SSG to [144MHz ANT] connector and set as: Frequency : 14.1015 MHz Level : 10 μV* (-87 dBm) Modulation : OFF •Receiving 				Connect an AC millivolt meter to [SP] jack with an 8 Ω load.	Maximum audio level	MAIN
RECEIVER TOTAL GAIN	1	<ul style="list-style-type: none"> •Displayed freq. : 14.100000 MHz •Mode : USB •[P. AMP1] : OFF •[RF/SQ] : 12 o'clock •[ATT] : OFF •Set IF filter selection as follows: 9 MHz : 2.4 kHz 455 kHz : 2.4 kHz •Connect an SSG to [144MHz ANT] connector and set as: Frequency : 14.1015 MHz Level : 0.5 mV* (-53 dBm) Modulation : OFF •Receiving 	Rear panel	Connect an AC millivolt meter to [SP] jack with an 8 Ω load.	1.0 V (0 dBm)	Front panel	[AF] control	
	2	<ul style="list-style-type: none"> •Set an SSG output level: OFF •Receiving 			32 mV (-30 dB)	MAIN	R761	

*This output level of a standard signal generator (SSG) is indicated as SSG's open circuit.

•MAIN and RF units (Bottom side of the transceiver)

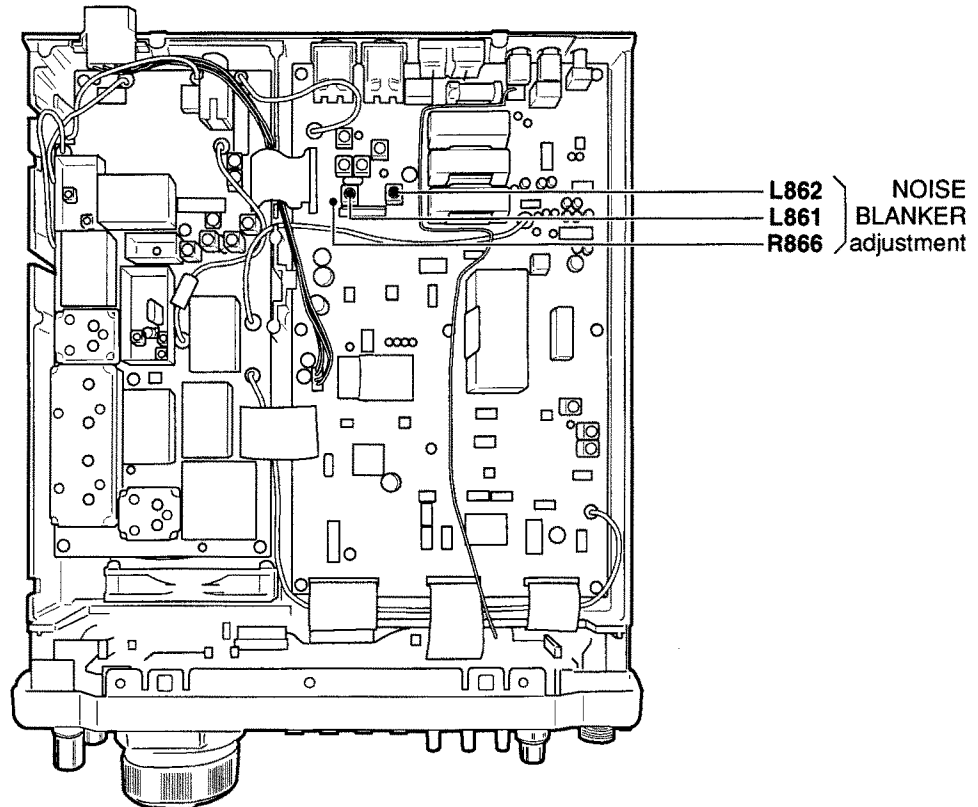


RECEIVER ADJUSTMENT— continued

ADJUSTMENT	ADJUSTMENT CONDITIONS	MEASUREMENT		VALUE	ADJUSTMENT	
		UNIT	LOCATION		UNIT	ADJUST
NOISE BLANKER	1 <ul style="list-style-type: none"> • Displayed freq. : 14.100000 MHz • Mode : USB • [P.AMP1] : ON • [NB] : OFF • Connect an SSG to [ANT1] connector and set as: <ul style="list-style-type: none"> Frequency : 14.1015 MHz Level : 18 μV* (-82 dBm) Modulation : OFF and apply the following signal to [ANT1] connector.  <ul style="list-style-type: none"> • Preset R866 to 12 o'clock position. • Receiving 	MAIN	Connect an oscilloscope to check point, CP861.	Maximum noise level	MAIN	L861, L862
	2 <ul style="list-style-type: none"> • Set an SSG output level as: 10 μV* (-87 dBm) • [NB] : ON • Receiving 	Rear panel	Connect an oscilloscope to [SP] jack with an 8 Ω load.	At the point where noise blanker is just activated.		R866

*This output level of a standard signal generator (SSG) is indicated as SSG's open circuit.

•MAIN and RF units (Bottom side of the transceiver)



5-5 ADJUSTMENT MODE

ADJUSTMENT	ADJUSTMENT CONDITIONS	DOT MATRIX DISPLAY	OPERATION
ENTERING ADJUSTMENT MODE	1 <ul style="list-style-type: none"> •Connect a terminator to [REMOTE] jack. •While pushing and holding [MENU] and [SSB], turn power ON. 	TX RX VOL	Push [F1] for TX, [F2] for RX or [F3] for VOL to select adjustment item.
TRANSMITTER ADJUSTMENT (Preparation)	1 <ul style="list-style-type: none"> •Connect an RF power meter to [ANT1] and [144MHz ANT], and 100 Ω or 25 Ω dummy load to [ANT2]. •Connect an audio generator to [MIC] and set as: Frequency : 1.5 kHz Level : 30 mV 	TX RX VOL	Push [F1]: TX.
(FILTER CAL.)	2	FILTER CAL. chk SET	Push [F5]: SET.
(POWER HF 100%)	3 <ul style="list-style-type: none"> •Push [F1]: ∇ to next adjustment item. 	POWER HF 100% chk SET	Rotate [DIAL] to be 90 W output, then push [F5]: SET.
(POWER HF 50%)	4 <ul style="list-style-type: none"> •Push [F1]: ∇ to next adjustment item. 	POWER HF 50% chk SET	Rotate [DIAL] to be 50 W output, then push [F5]: SET.
(POWER HF 20%)	5 <ul style="list-style-type: none"> •Push [F1]: ∇ to next adjustment item. 	POWER HF 20% chk SET	Rotate [DIAL] to be 20 W output, then push [F5]: SET.
(POWER HF TUNER)	6 <ul style="list-style-type: none"> •Push [F1]: ∇ to next adjustment item. 	POWER HF Tuner chk SET	Rotate [DIAL] to be 10 W output, then push [F5]: SET.
(POWER 50 MHz TUNER)	7 <ul style="list-style-type: none"> •Push [F1]: ∇ to next adjustment item. 	POWER 50M Tuner chk SET	Rotate [DIAL] to be 10 W output, then push [F5]: SET.
(POWER 144 MHz 100%)	8 <ul style="list-style-type: none"> •Push [F1]: ∇ to next adjustment item. 	POWER 144M 100% chk SET	Rotate [DIAL] to be 90 W output, then push [F5]: SET.
(POWER 144 MHz 50%)	9 <ul style="list-style-type: none"> •Push [F1]: ∇ to next adjustment item. 	POWER 144M 50% chk SET	Rotate [DIAL] to be 50 W output, then push [F5]: SET.
(POWER 144 MHz 20%)	10 <ul style="list-style-type: none"> •Push [F1]: ∇ to next adjustment item. 	POWER 144M 20% chk SET	Rotate [DIAL] to be 20 W output, then push [F5]: SET.
(ALC)	11 <ul style="list-style-type: none"> •Push [F1]: ∇ to next adjustment item. 	ALC chk SET	Push [F5]: SET.
(SWR HF/50 MHz)	12 <ul style="list-style-type: none"> •Push [F1]: ∇ to next adjustment item. 	SWR HF/50M chk SET	Push [F5]: SET.
(SWR 144 MHz -1)	13 <ul style="list-style-type: none"> •Push [F1]: ∇ to next adjustment item. 	SWR 144M-1 chk SET	Push [F5]: SET.
(SWR 144 MHz -2)	14 <ul style="list-style-type: none"> •Push [F1]: ∇ to next adjustment item. •Connect 100 Ω or 25 Ω dummy load to [144MHz ANT] connector. 	SWR 144M-2 chk SET	Push [F5]: SET, then push [F1]: ∇ to return to step 1.
RECEIVER ADJUSTMENT (Preparation)	1 <ul style="list-style-type: none"> •Connect an SSG to [ANT1] and set as: Frequency : 14.1015 MHz Level : OFF Modulation : OFF •Receiving 	TX RX VOL	Push [F2]: RX.
(S0 LEVEL)	2	S0 Level chk SET	Push [F5]: SET.
(S9 LEVEL)	3 <ul style="list-style-type: none"> •Push [F1]: ∇ to next adjustment item. •Set an SSG level as: 50 μV* (-73 dBm) 	S9 Level chk SET	Push [F5]: SET.
(S9+60 LEVEL)	4 <ul style="list-style-type: none"> •Push [F1]: ∇ to next adjustment item. •Set an SSG level as: 50 mV* (-13 dBm) 	S9+60 Level chk SET	Push [F5]: SET, then push [F1]: ∇ to return to step 1.
VOLUME ADJUSTMENT (Preparation)	1 <ul style="list-style-type: none"> •Set [PBT1] and [PBT2] to center position. 	TX RX VOL	Push [F3]: VOL.
PBT1 (IN)	2	PBT1 (in) chk SET	Push [F5]: SET.
PBT2 (OUT)	3 <ul style="list-style-type: none"> •Push [F1]: ∇ to next adjustment item. 	PBT1 (out) chk SET	Push [F5]: SET, then push [F1]: ∇ to return to step 1.

*This output level of a standard signal generator (SSG) is indicated as SSG's open circuit.

SECTION 6 PARTS LIST

[S-LOGIC BOARD]

REF NO.	ORDER NO.	DESCRIPTION	
IC101	1130008650	S.IC	MC14071BF-EL
IC102	1130002660	S.IC	μPD4030BG-T1
IC401	1110004200	S.IC	NJM2360M-TE3
IC402	1180001770	S.IC	TA79L05F (TE12L)
IC571	1130003710	S.IC	TC4S71F (TE85R)
Q301	1530002060	S.TRANSISTOR	2SC4081 T107 R
Q302	1520000650	S.TRANSISTOR	2SB1201-S-TL
Q303	1530003300	S.TRANSISTOR	2SC3647S-TD
Q304	1530003300	S.TRANSISTOR	2SC3647S-TD
D301	1730000590	S.ZENER	RD3.0M-T2B2
D402	1790001470	S.DIODE	SB10-05PCP-TD
D573	1750000370	S.DIODE	DA221 TL
L301	6180000990	COIL	LAL 04NA 101K
L302	6190001190	S.COIL	D10F-A814AY-101K=P3
L303	6190001180	S.COIL	BLC13H-D818HN-1107
L401	6190001200	S.COIL	D10F-A814AY-681K=P3
L402	6190001210	S.COIL	D10F-A814AY-221K=P3
L403	6190001200	S.COIL	D10F-A814AY-681K=P3
R1	7210002890	VARIABLE	RV-308
R2	7030003440	S.RESISTOR	ERJ3GEYJ 102 V (1 kΩ)
R3	7030003440	S.RESISTOR	ERJ3GEYJ 102 V (1 kΩ)
R4	7210002890	VARIABLE	RV-308
R5	7030003440	S.RESISTOR	ERJ3GEYJ 102 V (1 kΩ)
R6	7030003440	S.RESISTOR	ERJ3GEYJ 102 V (1 kΩ)
R7	7210002630	VARIABLE	EVU-FLAE02 B14 (10KB)
R8	7030003440	S.RESISTOR	ERJ3GEYJ 102 V (1 kΩ)
R9	7210002630	VARIABLE	EVU-FLAE02 B14 (10 kB)
R10	7030003440	S.RESISTOR	ERJ3GEYJ 102 V (1 kΩ)
R11	7210002630	VARIABLE	EVU-FLAE02 B14 (10 kB)
R12	7030003440	S.RESISTOR	ERJ3GEYJ 102 V (1 kΩ)
R13	7210002630	VARIABLE	EVU-FLAE02 B14 (10KB)
R14	7030003440	S.RESISTOR	ERJ3GEYJ 102 V (1 kΩ)
R15	7030003540	S.RESISTOR	ERJ3GEYJ 682 V (6.8 kΩ)
R16	7030003480	S.RESISTOR	ERJ3GEYJ 222 V (2.2 kΩ)
R17	7030003520	S.RESISTOR	ERJ3GEYJ 472 V (4.7 kΩ)
R18	7030003580	S.RESISTOR	ERJ3GEYJ 153 V (15 kΩ)
R101	7030003680	S.RESISTOR	ERJ3GEYJ 104 V (100 kΩ)
R102	7030003720	S.RESISTOR	ERJ3GEYJ 224 V (220 kΩ)
R103	7030003680	S.RESISTOR	ERJ3GEYJ 104 V (100 kΩ)
R104	7030003800	S.RESISTOR	ERJ3GEYJ 105 V (1 MΩ)
R105	7030003680	S.RESISTOR	ERJ3GEYJ 104 V (100 kΩ)
R106	7030003720	S.RESISTOR	ERJ3GEYJ 224 V (220 kΩ)
R107	7030003680	S.RESISTOR	ERJ3GEYJ 104 V (100 kΩ)
R108	7030003800	S.RESISTOR	ERJ3GEYJ 105 V (1 MΩ)
R111	7030003580	S.RESISTOR	ERJ3GEYJ 153 V (15 kΩ)
R112	7030003640	S.RESISTOR	ERJ3GEYJ 473 V (47 kΩ)
R113	7030003580	S.RESISTOR	ERJ3GEYJ 153 V (15 kΩ)
R301	7030003540	S.RESISTOR	ERJ3GEYJ 682 V (6.8 kΩ)
R302	7030003620	S.RESISTOR	ERJ3GEYJ 333 V (33 kΩ)
R303	7030000300	S.RESISTOR	MCR10EZHJ 220 Ω (221)
R304	7030003500	S.RESISTOR	ERJ3GEYJ 332 V (3.3 kΩ)
R305	7030003500	S.RESISTOR	ERJ3GEYJ 332 V (3.3 kΩ)
R306	7510000880	S.THERMISTOR	NTCCF2012 3JH 472KC-T
R401	7030004050	S.RESISTOR	ERJ3GEYJ 1R0 V (1 Ω)
R402	7030004050	S.RESISTOR	ERJ3GEYJ 1R0 V (1 Ω)
R403	7030006600	S.RESISTOR	RR0816P-822-D (8.2 kΩ)
R404	7030006460	S.RESISTOR	RR0816P-152-D (1.5 kΩ)
R571	7030003600	S.RESISTOR	ERJ3GEYJ 223 V (22 kΩ)
R576	7030003680	S.RESISTOR	ERJ3GEYJ 104 V (100 kΩ)
C1	4030006880	S.CERAMIC	C1608 JB 1H 472K-T-A
C2	4030006880	S.CERAMIC	C1608 JB 1H 472K-T-A
C3	4030006880	S.CERAMIC	C1608 JB 1H 472K-T-A
C4	4030006880	S.CERAMIC	C1608 JB 1H 472K-T-A
C5	4030006880	S.CERAMIC	C1608 JB 1H 472K-T-A
C6	4030006880	S.CERAMIC	C1608 JB 1H 472K-T-A
C7	4030006880	S.CERAMIC	C1608 JB 1H 472K-T-A

[S-LOGIC BOARD]

REF NO.	ORDER NO.	DESCRIPTION	
C8	4030006880	S.CERAMIC	C1608 JB 1H 472K-T-A
C9	4030011600	S.CERAMIC	C1608 JB 1C 104KT-N
C101	4030006860	S.CERAMIC	C1608 JB 1H 102K-T-A
C102	4030006860	S.CERAMIC	C1608 JB 1H 102K-T-A
C111	4030011600	S.CERAMIC	C1608 JB 1C 104KT-N
C112	4030006860	S.CERAMIC	C1608 JB 1H 102K-T-A
C113	4030006860	S.CERAMIC	C1608 JB 1H 102K-T-A
C114	4030006860	S.CERAMIC	C1608 JB 1H 102K-T-A
C115	4030011600	S.CERAMIC	C1608 JB 1C 104KT-N
C302	4510004630	S.ELECTROLYTIC	ECEV1CA100SR
C303	4510004640	S.ELECTROLYTIC	ECEV1CA470SP
C304	4310000920	MYLAR	250 MMW 473K
C305	4030013860	S.CERAMIC	GHM1038 SL 120J 3K
C306	4510004440	S.ELECTROLYTIC	ECEV1HA010SR
C307	4510004630	S.ELECTROLYTIC	ECEV1CA100SR
C401	4030011600	S.CERAMIC	C1608 JB 1C 104KT-N
C402	4510004590	ELECTROLYTIC	16 MV 470 HC
C403	4030011600	S.CERAMIC	C1608 JB 1C 104KT-N
C404	4510005000	ELECTROLYTIC	16 MV 220 HC
C405	4030011280	S.CERAMIC	C1608 CH 1H 271J-T-A
C406	4510006240	S.ELECTROLYTIC	ECEV1CA221P
C407	4030011600	S.CERAMIC	C1608 JB 1C 104KT-N
C408	4030011600	S.CERAMIC	C1608 JB 1C 104KT-N
C409	4510004630	S.ELECTROLYTIC	ECEV1CA100SR
C571	4510005810	S.ELECTROLYTIC	ECEV1HAR47R
C572	4030011600	S.CERAMIC	C1608 JB 1C 104KT-N
C601	4030011600	S.CERAMIC	C1608 JB 1C 104KT-N
C602	4510004630	S.ELECTROLYTIC	ECEV1CA100SR
S1	2260001890	S.SWITCH	SKQDPA
S2	2260001890	S.SWITCH	SKQDPA
S3	2260001890	S.SWITCH	SKQDPA
S4	2260001890	S.SWITCH	SKQDPA
S5	2260001890	S.SWITCH	SKQDPA
S6	2260001890	S.SWITCH	SKQDPA
S7	2260001890	S.SWITCH	SKQDPA
S8	2260001890	S.SWITCH	SKQDPA
S9	2260001890	S.SWITCH	SKQDPA
S10	2260001890	S.SWITCH	SKQDPA
S11	2260001890	S.SWITCH	SKQDPA
S601	2260001890	S.SWITCH	SKQDPA
J301	6510019990	S.CONNECTOR	52808-2290
J302	6510019990	S.CONNECTOR	52808-2290
J303	6510003400	CONNECTOR	B04B-EH-S
J501	6510019970	S.CONNECTOR	52808-1090
J502	6510019970	S.CONNECTOR	52808-1090
J507	6510019970	S.CONNECTOR	52808-1090
J508	6510019970	S.CONNECTOR	52808-1090
J601	6510019990	S.CONNECTOR	52808-2290
J604	6510003400	CONNECTOR	B04B-EH-S
P602	6510018980	CONNECTOR	PHR-2
EP1	0910049924	PCB	B 5103D

S.=Surface mount

[DISPLAY BOARD]

REF NO.	ORDER NO.		DESCRIPTION
IC1001	1140007350	S.IC	HD6433832SD08H
IC1002	1130007810	S.IC	BU4051BCF-T1
IC1003	1130006910	S.IC	TC7W74F (TE12L)
IC1004	1130007040	S.IC	TC7W32F(TE12L)
IC1005	1110002490	S.IC	M5218FP-73A
IC1006	1130007960	S.IC	SED1522F0C
IC1007	1130008860	S.IC	HD61203UFS
IC1008	1130008850	S.IC	HD61202UFS
IC1009	1130008850	S.IC	HD61202UFS
IC1010	1110002490	S.IC	M5218FP-73A
IC1011	1110002490	S.IC	M5218FP-73A
IC1012	1110002490	S.IC	M5218FP-73A
IC1013	1110002490	S.IC	M5218FP-73A
D1001	1790001250	S.DIODE	MA2S111-(TX)
D1002	1790001250	S.DIODE	MA2S111-(TX)
D1003	1750000370	S.DIODE	DA221 TL
D1004	1750000370	S.DIODE	DA221 TL
D1005	1790001250	S.DIODE	MA2S111-(TX)
X1001	6050009870	S.CRYSTAL	CR-567 (9.8304 MHz)
R531	7030003440	S.RESISTOR	ERJ3GEYJ 102 V (1 kΩ)
R532	7030003440	S.RESISTOR	ERJ3GEYJ 102 V (1 kΩ)
R533	7030003440	S.RESISTOR	ERJ3GEYJ 102 V (1 kΩ)
R534	7030003440	S.RESISTOR	ERJ3GEYJ 102 V (1 kΩ)
R535	7030003440	S.RESISTOR	ERJ3GEYJ 102 V (1 kΩ)
R536	7030003440	S.RESISTOR	ERJ3GEYJ 102 V (1 kΩ)
R537	7030003440	S.RESISTOR	ERJ3GEYJ 102 V (1 kΩ)
R538	7030003440	S.RESISTOR	ERJ3GEYJ 102 V (1 kΩ)
R539	7030003440	S.RESISTOR	ERJ3GEYJ 102 V (1 kΩ)
R540	7030003480	S.RESISTOR	ERJ3GEYJ 222 V (2.2 kΩ)
R541	7030003420	S.RESISTOR	ERJ3GEYJ 681 V (680 Ω)
R542	7030003480	S.RESISTOR	ERJ3GEYJ 222 V (2.2 kΩ)
R543	7030003420	S.RESISTOR	ERJ3GEYJ 681 V (680 Ω)
R544	7030003420	S.RESISTOR	ERJ3GEYJ 681 V (680 Ω)
R551	7030003540	S.RESISTOR	ERJ3GEYJ 682 V (6.8 kΩ)
R552	7030003480	S.RESISTOR	ERJ3GEYJ 222 V (2.2 kΩ)
R553	7030003520	S.RESISTOR	ERJ3GEYJ 472 V (4.7 kΩ)
R554	7030003580	S.RESISTOR	ERJ3GEYJ 153 V (15 kΩ)
R555	7030003440	S.RESISTOR	ERJ3GEYJ 102 V (1 kΩ)
R556	7030003440	S.RESISTOR	ERJ3GEYJ 102 V (1 kΩ)
R557	7030003440	S.RESISTOR	ERJ3GEYJ 102 V (1 kΩ)
R558	7030003440	S.RESISTOR	ERJ3GEYJ 102 V (1 kΩ)
R559	7030003440	S.RESISTOR	ERJ3GEYJ 102 V (1 kΩ)
R560	7030003440	S.RESISTOR	ERJ3GEYJ 102 V (1 kΩ)
R1001	7030003800	S.RESISTOR	ERJ3GEYJ 105 V (1 MΩ)
R1002	7030003680	S.RESISTOR	ERJ3GEYJ 104 V (100 kΩ)
R1003	7030003680	S.RESISTOR	ERJ3GEYJ 104 V (100 kΩ)
R1004	7030003680	S.RESISTOR	ERJ3GEYJ 104 V (100 kΩ)
R1005	7030003680	S.RESISTOR	ERJ3GEYJ 104 V (100 kΩ)
R1006	7030003680	S.RESISTOR	ERJ3GEYJ 104 V (100 kΩ)
R1007	7030003560	S.RESISTOR	ERJ3GEYJ 103 V (10 kΩ)
R1008	7030003560	S.RESISTOR	ERJ3GEYJ 103 V (10 kΩ)
R1009	7030003700	S.RESISTOR	ERJ3GEYJ 154 V (150 kΩ)
R1012	7030003680	S.RESISTOR	ERJ3GEYJ 104 V (100 kΩ)
R1013	7030003400	S.RESISTOR	ERJ3GEYJ 471 V (470 Ω)
R1014	7030003700	S.RESISTOR	ERJ3GEYJ 154 V (150 kΩ)
R1017	7030003680	S.RESISTOR	ERJ3GEYJ 104 V (100 kΩ)
R1018	7030003400	S.RESISTOR	ERJ3GEYJ 471 V (470 Ω)
R1019	7030003520	S.RESISTOR	ERJ3GEYJ 472 V (4.7 kΩ)
R1020	7030003520	S.RESISTOR	ERJ3GEYJ 472 V (4.7 kΩ)
R1021	7030003520	S.RESISTOR	ERJ3GEYJ 472 V (4.7 kΩ)
R1022	7030003520	S.RESISTOR	ERJ3GEYJ 472 V (4.7 kΩ)
R1023	7030003840	S.RESISTOR	ERJ3GEYJ 225 V (2.2 MΩ)
R1024	7030003520	S.RESISTOR	ERJ3GEYJ 472 V (4.7 kΩ)
R1025	7030003220	S.RESISTOR	ERJ3GEYJ 150 V (15 Ω)
R1026	7030003520	S.RESISTOR	ERJ3GEYJ 472 V (4.7 kΩ)
R1027	7030003220	S.RESISTOR	ERJ3GEYJ 150 V (15 Ω)
R1028	7030003520	S.RESISTOR	ERJ3GEYJ 472 V (4.7 kΩ)
R1029	7030003220	S.RESISTOR	ERJ3GEYJ 150 V (15 Ω)
R1030	7030003520	S.RESISTOR	ERJ3GEYJ 472 V (4.7 kΩ)
R1031	7030003220	S.RESISTOR	ERJ3GEYJ 150 V (15 Ω)
R1032	7030003520	S.RESISTOR	ERJ3GEYJ 472 V (4.7 kΩ)
R1033	7030003220	S.RESISTOR	ERJ3GEYJ 150 V (15 Ω)
R1034	7030003520	S.RESISTOR	ERJ3GEYJ 472 V (4.7 kΩ)
R1035	7030003220	S.RESISTOR	ERJ3GEYJ 150 V (15 Ω)
R1036	7030003810	S.RESISTOR	ERJ3GEYJ 125 V (1.2 MΩ)
R1037	7030003840	S.RESISTOR	ERJ3GEYJ 225 V (2.2 MΩ)

[DISPLAY BOARD]

REF NO.	ORDER NO.		DESCRIPTION
R1038	7030003790	S.RESISTOR	ERJ3GEYJ 824 V (820 kΩ)
R1039	7030003650	S.RESISTOR	ERJ3GEYJ 563 V (56 kΩ)
R1040	7030003810	S.RESISTOR	ERJ3GEYJ 125 V (1.2 MΩ)
R1041	7030003840	S.RESISTOR	ERJ3GEYJ 225 V (2.2 MΩ)
R1042	7030003790	S.RESISTOR	ERJ3GEYJ 824 V (820 kΩ)
R1043	7030003650	S.RESISTOR	ERJ3GEYJ 563 V (56 kΩ)
R1044	7030003560	S.RESISTOR	ERJ3GEYJ 103 V (10 kΩ)
R1045	7030003520	S.RESISTOR	ERJ3GEYJ 472 V (4.7 kΩ)
R1046	7510000900	S.THERMISTOR	NTCCF2012 3SH 223KC-T
R1047	7030003680	S.RESISTOR	ERJ3GEYJ 104 V (100 kΩ)
R1048	7030003640	S.RESISTOR	ERJ3GEYJ 473 V (47 kΩ)
R1049	7030003720	S.RESISTOR	ERJ3GEYJ 224 V (220 kΩ)
R1050	7030003640	S.RESISTOR	ERJ3GEYJ 473 V (47 kΩ)
R1051	7030003440	S.RESISTOR	ERJ3GEYJ 102 V (1 kΩ)
R1052	7030003440	S.RESISTOR	ERJ3GEYJ 102 V (1 kΩ)
R1054	7030003680	S.RESISTOR	ERJ3GEYJ 104 V (100 kΩ)
R1055	7030003680	S.RESISTOR	ERJ3GEYJ 104 V (100 kΩ)
R1056	7030003680	S.RESISTOR	ERJ3GEYJ 104 V (100 kΩ)
R1057	7030003680	S.RESISTOR	ERJ3GEYJ 104 V (100 kΩ)
R1058	7030003680	S.RESISTOR	ERJ3GEYJ 104 V (100 kΩ)
R1101	7030003440	S.RESISTOR	ERJ3GEYJ 102 V (1 kΩ)
R1102	7030003440	S.RESISTOR	ERJ3GEYJ 102 V (1 kΩ)
R1103	7030003440	S.RESISTOR	ERJ3GEYJ 102 V (1 kΩ)
R1104	7030003440	S.RESISTOR	ERJ3GEYJ 102 V (1 kΩ)
R1105	7030003440	S.RESISTOR	ERJ3GEYJ 102 V (1 kΩ)
R1106	7030003440	S.RESISTOR	ERJ3GEYJ 102 V (1 kΩ)
R1107	7030003440	S.RESISTOR	ERJ3GEYJ 102 V (1 kΩ)
R1108	7030003440	S.RESISTOR	ERJ3GEYJ 102 V (1 kΩ)
R1109	7030003440	S.RESISTOR	ERJ3GEYJ 102 V (1 kΩ)
R1110	7030003440	S.RESISTOR	ERJ3GEYJ 102 V (1 kΩ)
R1111	7030003440	S.RESISTOR	ERJ3GEYJ 102 V (1 kΩ)
R1112	7030003440	S.RESISTOR	ERJ3GEYJ 102 V (1 kΩ)
R1113	7030003440	S.RESISTOR	ERJ3GEYJ 102 V (1 kΩ)
R1114	7030003440	S.RESISTOR	ERJ3GEYJ 102 V (1 kΩ)
R1115	7030003440	S.RESISTOR	ERJ3GEYJ 102 V (1 kΩ)
R1116	7030003640	S.RESISTOR	ERJ3GEYJ 473 V (47 kΩ)
R1117	7030003640	S.RESISTOR	ERJ3GEYJ 473 V (47 kΩ)
R1118	7030003480	S.RESISTOR	ERJ3GEYJ 222 V (2.2 kΩ)
R1119	7030003440	S.RESISTOR	ERJ3GEYJ 102 V (1 kΩ)
R1120	7030003440	S.RESISTOR	ERJ3GEYJ 102 V (1 kΩ)
R1121	7030003440	S.RESISTOR	ERJ3GEYJ 102 V (1 kΩ)
R1131	7030003440	S.RESISTOR	ERJ3GEYJ 102 V (1 kΩ)
R1132	7030003680	S.RESISTOR	ERJ3GEYJ 104 V (100 kΩ)
R1133	7030003440	S.RESISTOR	ERJ3GEYJ 102 V (1 kΩ)
R1134	7030003440	S.RESISTOR	ERJ3GEYJ 102 V (1 kΩ)
R1135	7030003440	S.RESISTOR	ERJ3GEYJ 102 V (1 kΩ)
R1136	7030003640	S.RESISTOR	ERJ3GEYJ 473 V (47 kΩ)
R1137	7030003440	S.RESISTOR	ERJ3GEYJ 102 V (1 kΩ)
R1138	7030003640	S.RESISTOR	ERJ3GEYJ 473 V (47 kΩ)
R1201	7030003440	S.RESISTOR	ERJ3GEYJ 102 V (1 kΩ)
R1202	7030003440	S.RESISTOR	ERJ3GEYJ 102 V (1 kΩ)
R1203	7030003440	S.RESISTOR	ERJ3GEYJ 102 V (1 kΩ)
R1204	7030003440	S.RESISTOR	ERJ3GEYJ 102 V (1 kΩ)
R1205	7030003440	S.RESISTOR	ERJ3GEYJ 102 V (1 kΩ)
R1206	7030003440	S.RESISTOR	ERJ3GEYJ 102 V (1 kΩ)
R1207	7030003440	S.RESISTOR	ERJ3GEYJ 102 V (1 kΩ)
R1208	7030003440	S.RESISTOR	ERJ3GEYJ 102 V (1 kΩ)
C531	4030006880	S.CERAMIC	C1608 JB 1H 472K-T-A
C532	4030006880	S.CERAMIC	C1608 JB 1H 472K-T-A
C533	4030006880	S.CERAMIC	C1608 JB 1H 472K-T-A
C534	4030006880	S.CERAMIC	C1608 JB 1H 472K-T-A
C535	4030006880	S.CERAMIC	C1608 JB 1H 472K-T-A
C536	4030006880	S.CERAMIC	C1608 JB 1H 472K-T-A
C537	4030006880	S.CERAMIC	C1608 JB 1H 472K-T-A
C538	4030006880	S.CERAMIC	C1608 JB 1H 472K-T-A
C539	4030006880	S.CERAMIC	C1608 JB 1H 472K-T-A
C540	4030006880	S.CERAMIC	C1608 JB 1H 472K-T-A
C541	4030006880	S.CERAMIC	C1608 JB 1H 472K-T-A
C542	4030006880	S.CERAMIC	C1608 JB 1H 472K-T-A
C543	4030006880	S.CERAMIC	C1608 JB 1H 472K-T-A
C544	4030006880	S.CERAMIC	C1608 JB 1H 472K-T-A
C551	4030011600	S.CERAMIC	C1608 JB 1C 104KT-N
C552	4030006880	S.CERAMIC	C1608 JB 1H 472K-T-A
C553	4030006880	S.CERAMIC	C1608 JB 1H 472K-T-A
C554	4030006880	S.CERAMIC	C1608 JB 1H 472K-T-A
C555	4030006880	S.CERAMIC	C1608 JB 1H 472K-T-A
C556	4030006880	S.CERAMIC	C1608 JB 1H 472K-T-A
C557	4030006880	S.CERAMIC	C1608 JB 1H 472K-T-A
C1001	4030011600	S.CERAMIC	C1608 JB 1C 104KT-N
C1002	4030007020	S.CERAMIC	C1608 CH 1H 120J-T-A

S.=Surface mount

[DISPLAY BOARD]

REF NO.	ORDER NO.	DESCRIPTION	
C1003	4030007020	S.CERAMIC	C1608 CH 1H 120J-T-A
C1004	4030011600	S.CERAMIC	C1608 JB 1C 104KT-N
C1005	4030011600	S.CERAMIC	C1608 JB 1C 104KT-N
C1006	4030011600	S.CERAMIC	C1608 JB 1C 104KT-N
C1007	4030011600	S.CERAMIC	C1608 JB 1C 104KT-N
C1008	4030011600	S.CERAMIC	C1608 JB 1C 104KT-N
C1009	4510004630	S.ELECTROLYTIC	ECEV1CA100SR
C1010	4510004630	S.ELECTROLYTIC	ECEV1CA100SR
C1011	4030011600	S.CERAMIC	C1608 JB 1C 104KT-N
C1012	4030011600	S.CERAMIC	C1608 JB 1C 104KT-N
C1013	4030011600	S.CERAMIC	C1608 JB 1C 104KT-N
C1014	4030011600	S.CERAMIC	C1608 JB 1C 104KT-N
C1015	4550006250	S.TANTALUM	TEMSVA 1A 106M-8L
C1016	4030011600	S.CERAMIC	C1608 JB 1C 104KT-N
C1101	4030006880	S.CERAMIC	C1608 JB 1H 472K-T-A
C1201	4030006880	S.CERAMIC	C1608 JB 1H 472K-T-A
C1202	4030006880	S.CERAMIC	C1608 JB 1H 472K-T-A
C1203	4030006880	S.CERAMIC	C1608 JB 1H 472K-T-A
C1204	4030006880	S.CERAMIC	C1608 JB 1H 472K-T-A
C1205	4030006880	S.CERAMIC	C1608 JB 1H 472K-T-A
C1206	4030006880	S.CERAMIC	C1608 JB 1H 472K-T-A
C1207	4030006880	S.CERAMIC	C1608 JB 1H 472K-T-A
C1208	4030006880	S.CERAMIC	C1608 JB 1H 472K-T-A
DS1001	5030001600	LCD	DLC-7997S2GT
DS1002	5080000420	CFL	HMB S 3 A1W 70N/AZ ASSY
J503	6510019990	S.CONNECTOR	52808-2290
J505	6510019990	S.CONNECTOR	52808-2290
J1001	6510019990	S.CONNECTOR	52808-2290
J1002	6510019990	S.CONNECTOR	52808-2290
W1002	7030003860	S.JUMPER	ERJ3GE JPW V
W1009	7030003860	S.JUMPER	ERJ3GE JPW V
EP1	8930046360	LCD CONTACT	SRCN-2072-SP-N-W
EP2	0910049913	PCB	B 5099C

[PHONE BOARD]

REF NO.	ORDER NO.	DESCRIPTION	
L1	6200003950	S.COIL	HF50ACC 322513-T
L2	6200003950	S.COIL	HF50ACC 322513-T
R1	7030006070	S.RESISTOR	ERJ12YJ101H (100 Ω)
R2	7030006070	S.RESISTOR	ERJ12YJ101H (100 Ω)
R3	7030003440	S.RESISTOR	ERJ3GEYJ 102 V (1 kΩ)
C1	4030006880	S.CERAMIC	C1608 JB 1H 472K-T-A
C2	4030006880	S.CERAMIC	C1608 JB 1H 472K-T-A
C3	4030006880	S.CERAMIC	C1608 JB 1H 472K-T-A
C4	4030006880	S.CERAMIC	C1608 JB 1H 472K-T-A
C5	4030006880	S.CERAMIC	C1608 JB 1H 472K-T-A
J1	6450001890	CONNECTOR	HLJ5305-01-4090
J2	6450001790	CONNECTOR	HLJ7000-01-3010
J3	6510019970	S.CONNECTOR	52808-1090
EP1	0910049353	PCB	B 5075C

[MIC BOARD]

REF NO.	ORDER NO.	DESCRIPTION	
L1	6200003260	S.COIL	NL 322522T-101J
L3	6200003260	S.COIL	NL 322522T-101J
L4	6200003260	S.COIL	NL 322522T-101J
L6	6200003260	S.COIL	NL 322522T-101J
C1	4030006880	S.CERAMIC	C1608 JB 1H 472K-T-A
C2	4030006880	S.CERAMIC	C1608 JB 1H 472K-T-A
C3	4030006880	S.CERAMIC	C1608 JB 1H 472K-T-A
C4	4030006880	S.CERAMIC	C1608 JB 1H 472K-T-A
C5	4030006880	S.CERAMIC	C1608 JB 1H 472K-T-A
C6	4030006880	S.CERAMIC	C1608 JB 1H 472K-T-A
C7	4030007130	S.CERAMIC	C1608 CH 1H 101J-T-A
J1	6510000190	CONNECTOR	FM214-8SS(P)
J2	6510019970	S.CONNECTOR	52808-1090
EP1	0910049362	PCB	B 5076B

[TENKEY BOARD]

REF NO.	ORDER NO.	DESCRIPTION	
R1	7030003540	S.RESISTOR	ERJ3GEYJ 682 V (6.8 kΩ)
R2	7030003540	S.RESISTOR	ERJ3GEYJ 682 V (6.8 kΩ)
R3	7030003540	S.RESISTOR	ERJ3GEYJ 682 V (6.8 kΩ)
R4	7030003480	S.RESISTOR	ERJ3GEYJ 222 V (2.2 kΩ)
R5	7030003480	S.RESISTOR	ERJ3GEYJ 222 V (2.2 kΩ)
R6	7030003480	S.RESISTOR	ERJ3GEYJ 222 V (2.2 kΩ)
R7	7030003520	S.RESISTOR	ERJ3GEYJ 472 V (4.7 kΩ)
R8	7030003520	S.RESISTOR	ERJ3GEYJ 472 V (4.7 kΩ)
R9	7030003520	S.RESISTOR	ERJ3GEYJ 472 V (4.7 kΩ)
R10	7030003580	S.RESISTOR	ERJ3GEYJ 153 V (15 kΩ)
R11	7030003580	S.RESISTOR	ERJ3GEYJ 153 V (15 kΩ)
R12	7030003580	S.RESISTOR	ERJ3GEYJ 153 V (15 kΩ)
R15	7030003540	S.RESISTOR	ERJ3GEYJ 682 V (6.8 kΩ)
R16	7030003480	S.RESISTOR	ERJ3GEYJ 222 V (2.2 kΩ)
R17	7030003520	S.RESISTOR	ERJ3GEYJ 472 V (4.7 kΩ)
R18	7030003580	S.RESISTOR	ERJ3GEYJ 153 V (15 kΩ)
R19	7030003540	S.RESISTOR	ERJ3GEYJ 682 V (6.8 kΩ)
R20	7030003480	S.RESISTOR	ERJ3GEYJ 222 V (2.2 kΩ)
R21	7030003520	S.RESISTOR	ERJ3GEYJ 472 V (4.7 kΩ)
R22	7030003580	S.RESISTOR	ERJ3GEYJ 153 V (15 kΩ)
R23	7030003540	S.RESISTOR	ERJ3GEYJ 682 V (6.8 kΩ)
R24	7030003480	S.RESISTOR	ERJ3GEYJ 222 V (2.2 kΩ)
R25	7030003520	S.RESISTOR	ERJ3GEYJ 472 V (4.7 kΩ)
C1	4030011600	S.CERAMIC	C1608 JB 1C 104KT-N
C2	4030011600	S.CERAMIC	C1608 JB 1C 104KT-N
C3	4030011600	S.CERAMIC	C1608 JB 1C 104KT-N
C4	4030011600	S.CERAMIC	C1608 JB 1C 104KT-N
C5	4030011600	S.CERAMIC	C1608 JB 1C 104KT-N
C7	4030011600	S.CERAMIC	C1608 JB 1C 104KT-N
DS1	5040002360	S.LED	CL-220HR-C-TU
DS2	5040002220	S.LED	CL-220YG-C-TU
DS3	5040002360	S.LED	CL-220HR-C-TU
DS4	5040002220	S.LED	CL-220YG-C-TU
DS5	5040002220	S.LED	CL-220YG-C-TU
J1	6510019990	S.CONNECTOR	52808-2290
EP1	0910049383	PCB	B 5078C

S.=Surface mount

[MODE BOARD]

REF NO.	ORDER NO.	DESCRIPTION
J1	6510019990	S.CONNECTOR 52808-2290
EP1	0910049373	PCB B 5077C

[PBT BOARD]

REF NO.	ORDER NO.	DESCRIPTION
R1	7210002960	VARIABLE RV-313
R2	7030003440	S.RESISTOR ERJ3GEYJ 102 V (1 kΩ)
R3	7030003440	S.RESISTOR ERJ3GEYJ 102 V (1 kΩ)
C1	4030006880	S.CERAMIC C1608 JB 1H 472K-T-A
C2	4030006880	S.CERAMIC C1608 JB 1H 472K-T-A
S1	2260002430	SWITCH SW-165
J1	6510019970	S.CONNECTOR 52808-1090
EP1	0910049392	PCB B 5079B

[RIT BOARD]

REF NO.	ORDER NO.	DESCRIPTION
S1	2250000340	ENCODER EVQ-VCJF0324B
J1	6510019970	S.CONNECTOR 52808-1090
EP1	0910049402	PCB B 5080B

[FRONT UNIT]

REF NO.	ORDER NO.	DESCRIPTION
W19	8900007010	CABLE OPC-685
W20	8900007020	CABLE OPC-686
W21	8900007010	CABLE OPC-685
W22	8900007010	CABLE OPC-685
W24	8900006980	CABLE OPC-682
W25	8900006980	CABLE OPC-682
W26	8900006980	CABLE OPC-682
W27	8900006980	CABLE OPC-682
EP1	6910011090	SENSOR UNIT RMS20-250-201-P
EP2	6450001230	E.OTHER HLJ0999-01-480
EP3	6450001230	E.OTHER HLJ0999-01-480

[MAIN UNIT]

REF NO.	ORDER NO.	DESCRIPTION
CP621	6910009670	S.CHECK P HK3-S-T
CP681	6910009670	S.CHECK P HK3-S-T
CP861	6910009670	S.CHECK P HK3-S-T
CP891	6910009670	S.CHECK P HK3-S-T
CP981	6910009670	S.CHECK P HK3-S-T
IC631	1110002600	S.IC MC1496 D
IC661	1110002600	S.IC MC1496 D
IC771	1110003200	S.IC TA31136FN(EL)
IC791	1110002600	S.IC MC1496 D
IC861	1110003140	IC LA1150N
IC891	1130007660	S.IC LC7153M-TLM
IC931	1110003870	S.IC NJM2058M-T1
IC971	1110003870	S.IC NJM2058M-T1
IC1041	1130007820	S.IC BU4052BCF-T1
IC1061	1110003300	S.IC M5282FP 70CD
IC1062	1130006220	S.IC TC4W53FU (TE12L)
IC1081	1130007820	S.IC BU4052BCF-T1
IC1082	1110003300	S.IC M5282FP 70CD
IC1101	1110003090	IC LA4425A
IC1121	1140005280	S.IC μPC5023GS-077-E1
IC1161	1110002490	S.IC M5218FP-73A
IC1191	1130007820	S.IC BU4052BCF-T1
IC1201	1110002490	S.IC M5218FP-73A
IC1331	1130006220	S.IC TC4W53FU (TE12L)
IC1501	1130005230	S.IC TC74HCU04AF
IC1502	1130008360	S.IC TC7SHU04FU (TE85L)
IC1503	1130004850	S.IC TC74HC4040AF
IC1504	1130005120	S.IC TC74HC74AF (TP1)
IC1505	1130006440	S.IC TC7S08F (TE85R)
IC1506	1130007700	S.IC BU4094BCF-T1
IC1507	1130007700	S.IC BU4094BCF-T1
IC1521	1140007050	S.IC SC-1363
IC1531	1190000550	S.IC LC7886M-TRM
IC1542	1110004770	S.IC BU9480F-E2
IC1551	1110003870	S.IC NJM2058M-T1
IC1571	1110003870	S.IC NJM2058M-T1
IC1701	1110003690	S.IC M62354GP 75EC
IC1702	1130007820	S.IC BU4052BCF-T1
IC1703	1130005720	S.IC TC7W04F (TE12L)
IC1704	1140007360	S.IC HD6433042SB24F
IC1705	1140005880	S.IC X25320S8I-2.7T6
IC1706	1110001550	S.IC S-8054ALB-LM-T1
IC1707	1110002490	S.IC M5218FP-73A
IC1708	1130007700	S.IC BU4094BCF-T1
IC1709	1160000130	S.IC TD62783AF (TP1)
Q521	1580000620	S.FET 3SK131-T2 MAS
Q541	1560000560	S.FET 2SK882-GR (TE85L)
Q542	1590002310	S.TRANSISTOR DTC114EE TL
Q543	1590002310	S.TRANSISTOR DTC114EE TL
Q631	1530002060	S.TRANSISTOR 2SC4081 T107 R
Q651	1560000560	S.FET 2SK882-GR (TE85L)
Q681	1590002310	S.TRANSISTOR DTC114EE TL
Q682	1590002310	S.TRANSISTOR DTC114EE TL
Q751	1580000620	S.FET 3SK131-T2 MAS
Q761	1580000620	S.FET 3SK131-T2 MAS
Q762	1530002060	S.TRANSISTOR 2SC4081 T107 R
Q771	1560000560	S.FET 2SK882-GR (TE85L)
Q811	1530002060	S.TRANSISTOR 2SC4081 T107 R
Q831	1530002060	S.TRANSISTOR 2SC4081 T107 R
Q841	1530002060	S.TRANSISTOR 2SC4081 T107 R
Q842	1590002310	S.TRANSISTOR DTC114EE TL
Q843	1590001870	S.TRANSISTOR DTA114EE TL
Q844	1590001870	S.TRANSISTOR DTA114EE TL
Q845	1590002310	S.TRANSISTOR DTC114EE TL
Q846	1590001870	S.TRANSISTOR DTA114EE TL
Q847	1590002310	S.TRANSISTOR DTC114EE TL
Q848	1590001870	S.TRANSISTOR DTA114EE TL
Q849	1590002310	S.TRANSISTOR DTC114EE TL
Q861	1560000560	S.FET 2SK882-GR (TE85L)
Q862	1510000510	S.TRANSISTOR 2SA1576A T106R
Q863	1530002060	S.TRANSISTOR 2SC4081 T107 R
Q864	1530002060	S.TRANSISTOR 2SC4081 T107 R
Q865	1530002060	S.TRANSISTOR 2SC4081 T107 R
Q866	1590002310	S.TRANSISTOR DTC114EE TL
Q867	1590002310	S.TRANSISTOR DTC114EE TL
Q868	1590001870	S.TRANSISTOR DTA114EE TL
Q891	1560000330	S.FET 2SK210-GR (TE85R)
Q892	1530002060	S.TRANSISTOR 2SC4081 T107 R

S.=Surface mount

[MAIN UNIT]

REF NO.	ORDER NO.	DESCRIPTION
Q893	1590001870	S.TRANSISTOR DTA114EE TL
Q894	1590002310	S.TRANSISTOR DTC114EE TL
Q981	1590002310	S.TRANSISTOR DTC114EE TL
Q982	1590002310	S.TRANSISTOR DTC114EE TL
Q983	1590002310	S.TRANSISTOR DTC114EE TL
Q984	1590002310	S.TRANSISTOR DTC114EE TL
Q985	1590002310	S.TRANSISTOR DTC114EE TL
Q986	1510000510	S.TRANSISTOR 2SA1576A T106R
Q1101	1540000470	S.TRANSISTOR 2SD1801S-TL
Q1111	1590002310	S.TRANSISTOR DTC114EE TL
Q1121	1530002060	S.TRANSISTOR 2SC4081 T107 R
Q1161	1530002060	S.TRANSISTOR 2SC4081 T107 R
Q1162	1530002060	S.TRANSISTOR 2SC4081 T107 R
Q1221	1540000440	S.TRANSISTOR 2SD1619-T-TD
Q1222	1530002060	S.TRANSISTOR 2SC4081 T107 R
Q1231	1540000440	S.TRANSISTOR 2SD1619-T-TD
Q1232	1530002060	S.TRANSISTOR 2SC4081 T107 R
Q1271	1590002310	S.TRANSISTOR DTC114EE TL
Q1281	1530002060	S.TRANSISTOR 2SC4081 T107 R
Q1291	1590002310	S.TRANSISTOR DTC114EE TL
Q1301	1590001870	S.TRANSISTOR DTA114EE TL
Q1302	1540000440	S.TRANSISTOR 2SD1619-T-TD
Q1701	1510000510	S.TRANSISTOR 2SA1576A T106R
Q1702	1530002060	S.TRANSISTOR 2SC4081 T107 R
Q1703	1530002060	S.TRANSISTOR 2SC4081 T107 R
Q1704	1590002310	S.TRANSISTOR DTC114EE TL
Q1705	1590002310	S.TRANSISTOR DTC114EE TL
D501	1790000450	S.DIODE MA862(TX)
D511	1790000450	S.DIODE MA862(TX)
D512	1790000450	S.DIODE MA862(TX)
D531	1790000450	S.DIODE MA862(TX)
D541	1750000520	S.DIODE DAN222TL
D542	1750000520	S.DIODE DAN222TL
D571	1790000450	S.DIODE MA862(TX)
D572	1790000450	S.DIODE MA862(TX)
D581	1790000450	S.DIODE MA862(TX)
D582	1790000450	S.DIODE MA862(TX)
D591	1790000450	S.DIODE MA862(TX)
D592	1790000450	S.DIODE MA862(TX)
D601	1790000450	S.DIODE MA862(TX)
D602	1790000450	S.DIODE MA862(TX)
D621	1790000450	S.DIODE MA862(TX)
D651	1790000620	S.DIODE MA77(TX)
D681	1750000520	S.DIODE DAN222TL
D682	1750000520	S.DIODE DAN222TL
D683	1790000450	S.DIODE MA862(TX)
D684	1750000370	S.DIODE DA221 TL
D685	1790000450	S.DIODE MA862(TX)
D701	1790000620	S.DIODE MA77(TX)
D702	1790000620	S.DIODE MA77(TX)
D711	1790000620	S.DIODE MA77(TX)
D712	1790000620	S.DIODE MA77(TX)
D721	1790000620	S.DIODE MA77(TX)
D722	1790000620	S.DIODE MA77(TX)
D731	1790000620	S.DIODE MA77(TX)
D732	1790000620	S.DIODE MA77(TX)
D821	1790000490	S.DIODE HSM88AS-TR
D841	1790000490	S.DIODE HSM88AS-TR
D842	1790000490	S.DIODE HSM88AS-TR
D861	1790000490	S.DIODE HSM88AS-TR
D862	1750000520	S.DIODE DAN222TL
D891	1720000590	S.VARICAP MA357(TX)
D892	1790000490	S.DIODE HSM88AS-TR
D893	1790000490	S.DIODE HSM88AS-TR
D952	1750000200	S.DIODE 1SS319 (TE85R)
D961	1750000200	S.DIODE 1SS319 (TE85R)
D962	1750000200	S.DIODE 1SS319 (TE85R)
D981	1730000770	S.ZENER RD7.5M-T1B1
D982	1750000520	S.DIODE DAN222TL
D983	1750000520	S.DIODE DAN222TL
D984	1790001610	S.DIODE 1SS385 (TE85L)
D985	1790001610	S.DIODE 1SS385 (TE85L)
D1011	1750000520	S.DIODE DAN222TL
D1012	1750000520	S.DIODE DAN222TL
D1021	1750000520	S.DIODE DAN222TL
D1022	1750000520	S.DIODE DAN222TL
D1111	1750000520	S.DIODE DAN222TL
D1123	1750000370	S.DIODE DA221 TL
D1124	1750000370	S.DIODE DA221 TL
D1221	1750000370	S.DIODE DA221 TL

[MAIN UNIT]

REF NO.	ORDER NO.	DESCRIPTION
D1231	1750000370	S.DIODE DA221 TL
D1271	1750000520	S.DIODE DAN222TL
D1281	1750000520	S.DIODE DAN222TL
D1291	1750000520	S.DIODE DAN222TL
D1301	1790001250	S.DIODE MA2S111-(TX)
D1302	1790001250	S.DIODE MA2S111-(TX)
D1701	1790001250	S.DIODE MA2S111-(TX)
D1702	1790001250	S.DIODE MA2S111-(TX)
D1703	1790001250	S.DIODE MA2S111-(TX)
D1704	1790001250	S.DIODE MA2S111-(TX)
D1705	1730000030	S.ZENER RD5.6M-T2B2
D1706	1790001250	S.DIODE MA2S111-(TX)
D1709	1790001250	S.DIODE MA2S111-(TX)
D1711	1790001250	S.DIODE MA2S111-(TX)
D1712	1790001250	S.DIODE MA2S111-(TX)
D1713	1790001250	S.DIODE MA2S111-(TX)
D1714	1790001250	S.DIODE MA2S111-(TX)
D1715	1790001250	S.DIODE MA2S111-(TX)
D1716	1790001250	S.DIODE MA2S111-(TX)
D1717	1790001250	S.DIODE MA2S111-(TX)
D1718	1790001250	S.DIODE MA2S111-(TX)
D1719	1790001250	S.DIODE MA2S111-(TX)
D1720	1750000370	S.DIODE DA221 TL
D1722	1750000370	S.DIODE DA221 TL
D1731	1790001250	S.DIODE MA2S111-(TX)
D1732	1790000490	S.DIODE HSM88AS-TR
D1734	1730002270	S.ZENER MA8024(TX)
D1790	1730000910	S.ZENER RD12M-T2B2
FI511	2010000270	FILTER 9M15A (FL-23)
FI571	2010002130	D.FILTER 9M22D4 (FL-272: 9.0115 MHz)
FI701	2020000210	CERAMIC CFJ455K5 (FL-65)
FI711	2020001000	S.CERAMIC SFPC455G-TC01
FI721	2020001050	S.CERAMIC SFPC455E-TC01
X771	6070000150	S.DISCRIMINATOR CDBC455CX24-TC
X1501	6050009950	S.CRYSTAL CR-570 (16.000 MHz)
X1502	6050009880	S.CRYSTAL CR-568 (40.000 MHz)
X1701	6050009860	S.CRYSTAL CR-566 (12.288 MHz)
L511	6150000711	COIL LS-452
L512	6150000711	COIL LS-452
L513	6150000711	COIL LS-452
L521	6200001830	S.COIL NL 322522T-100J
L541	6150000711	COIL LS-452
L632	6200003260	S.COIL NL 322522T-101J
L633	6200003260	S.COIL NL 322522T-101J
L651	6200001830	S.COIL NL 322522T-100J
L661	6200003260	S.COIL NL 322522T-101J
L662	6200003260	S.COIL NL 322522T-101J
L663	6200001710	S.COIL NL 322522T-220J
L664	6200001710	S.COIL NL 322522T-220J
L665	6200003260	S.COIL NL 322522T-101J
L681	6200003260	S.COIL NL 322522T-101J
L751	6150002291	COIL LS-450
L752	6150002291	COIL LS-450
L761	6150002291	COIL LS-450
L771	6200003260	S.COIL NL 322522T-101J
L791	6200003260	S.COIL NL 322522T-101J
L792	6200003260	S.COIL NL 322522T-101J
L861	6150004050	COIL LS-466
L862	6150004050	COIL LS-466
L863	6200003260	S.COIL NL 322522T-101J
L891	6200003260	S.COIL NL 322522T-101J
L892	6200002990	S.COIL NL 322522T-2R2J-3
L893	6200001830	S.COIL NL 322522T-100J
L894	6200003260	S.COIL NL 322522T-101J
L1121	6200001830	S.COIL NL 322522T-100J
L1241	6200003240	S.COIL NL 322522T-221J
L1242	6200003240	S.COIL NL 322522T-221J
L1243	6910003570	COIL 2943-666663
L1244	6910003570	COIL 2943-666663
L1311	6200003950	S.COIL HF50ACC 322513-T
L1312	6200003260	S.COIL NL 322522T-101J
L1313	6200003260	S.COIL NL 322522T-101J
L1314	6200003260	S.COIL NL 322522T-101J
L1315	6200003950	S.COIL HF50ACC 322513-T
L1316	6200003260	S.COIL NL 322522T-101J
L1317	6200003260	S.COIL NL 322522T-101J

[USA] only
except [FRA]
[FRA], [DEN]
except [EUR]
[USA], [EUR]
[FRA] only
except [USA]
except [USA]

S.=Surface mount

[MAIN UNIT]

REF NO.	ORDER NO.	DESCRIPTION	
L1318	6200003950	S.COIL	HF50ACC 322513-T
L1319	6200003260	S.COIL	NL 322522T-101J
L1320	6200003260	S.COIL	NL 322522T-101J
L1321	6200001830	S.COIL	NL 322522T-100J
L1322	2040000490	COIL	EXC-ELDR25C
L1323	2040000490	COIL	EXC-ELDR25C
L1324	6200001830	S.COIL	NL 322522T-100J
L1325	6200001830	S.COIL	NL 322522T-100J
L1326	6200001830	S.COIL	NL 322522T-100J
L1327	6200001830	S.COIL	NL 322522T-100J
L1328	6200003950	S.COIL	HF50ACC 322513-T
L1329	6200003950	S.COIL	HF50ACC 322513-T
L1330	6200003950	S.COIL	HF50ACC 322513-T
L1331	6200003950	S.COIL	HF50ACC 322513-T
L1332	2040000490	COIL	EXC-ELDR25C
L1333	6200003950	S.COIL	HF50ACC 322513-T
L1334	6200003950	S.COIL	HF50ACC 322513-T
L1335	6200003950	S.COIL	HF50ACC 322513-T
L1336	6200001830	S.COIL	NL 322522T-100J
L1337	6200001830	S.COIL	NL 322522T-100J
L1591	6180000990	COIL	LAL 04NA 101K
L1592	6200003260	S.COIL	NL 322522T-101J
L1593	6200003260	S.COIL	NL 322522T-101J
L1701	6200001830	S.COIL	NL 322522T-100J
L1702	6200001830	S.COIL	NL 322522T-100J
R501	7030003440	S.RESISTOR	ERJ3GEYJ 102 V (1 kΩ)
R502	7030003560	S.RESISTOR	ERJ3GEYJ 103 V (10 kΩ)
R503	7030003400	S.RESISTOR	ERJ3GEYJ 471 V (470 Ω)
R511	7030003440	S.RESISTOR	ERJ3GEYJ 102 V (1 kΩ)
R512	7030003480	S.RESISTOR	ERJ3GEYJ 222 V (2.2 kΩ)
R513	7030003480	S.RESISTOR	ERJ3GEYJ 222 V (2.2 kΩ)
R514	7030003360	S.RESISTOR	ERJ3GEYJ 221 V (220 Ω)
R521	7030003610	S.RESISTOR	ERJ3GEYJ 273 V (27 kΩ)
R522	7030003520	S.RESISTOR	ERJ3GEYJ 472 V (4.7 kΩ)
R523	7030003760	S.RESISTOR	ERJ3GEYJ 474 V (470 kΩ)
R524	7030003340	S.RESISTOR	ERJ3GEYJ 151 V (150 Ω)
R525	7030003320	S.RESISTOR	ERJ3GEYJ 101 V (100 Ω)
R531	7030003520	S.RESISTOR	ERJ3GEYJ 472 V (4.7 kΩ)
R532	7030003520	S.RESISTOR	ERJ3GEYJ 472 V (4.7 kΩ)
R533	7030003520	S.RESISTOR	ERJ3GEYJ 472 V (4.7 kΩ)
R541	7510000870	S.THERMISTOR	NTCCF2012 3FH 332KC-T
R542	7030003600	S.RESISTOR	ERJ3GEYJ 223 V (22 kΩ)
R543	7030003520	S.RESISTOR	ERJ3GEYJ 472 V (4.7 kΩ)
R544	7030003560	S.RESISTOR	ERJ3GEYJ 103 V (10 kΩ)
R546	7310002740	S.TRIMMER	RV-150
R547	7030003320	S.RESISTOR	ERJ3GEYJ 101 V (100 Ω)
R548	7030003440	S.RESISTOR	ERJ3GEYJ 102 V (1 kΩ)
R549	7030003600	S.RESISTOR	ERJ3GEYJ 223 V (22 kΩ)
R550	7030003640	S.RESISTOR	ERJ3GEYJ 473 V (47 kΩ)
R560	7030003480	S.RESISTOR	ERJ3GEYJ 222 V (2.2 kΩ)
R571	7030003480	S.RESISTOR	ERJ3GEYJ 222 V (2.2 kΩ)
R572	7030003560	S.RESISTOR	ERJ3GEYJ 103 V (10 kΩ)
R573	7030003360	S.RESISTOR	ERJ3GEYJ 221 V (220 Ω)
R574	7030003480	S.RESISTOR	ERJ3GEYJ 222 V (2.2 kΩ)
R575	7030003320	S.RESISTOR	ERJ3GEYJ 101 V (100 Ω)
R581	7030003480	S.RESISTOR	ERJ3GEYJ 222 V (2.2 kΩ)
R582	7030003560	S.RESISTOR	ERJ3GEYJ 103 V (10 kΩ)
R583	7030003360	S.RESISTOR	ERJ3GEYJ 221 V (220 Ω)
R584	7030003480	S.RESISTOR	ERJ3GEYJ 222 V (2.2 kΩ)
R585	7030003320	S.RESISTOR	ERJ3GEYJ 101 V (100 Ω)
R591	7030003480	S.RESISTOR	ERJ3GEYJ 222 V (2.2 kΩ)
R592	7030003560	S.RESISTOR	ERJ3GEYJ 103 V (10 kΩ)
R593	7030003360	S.RESISTOR	ERJ3GEYJ 221 V (220 Ω)
R594	7030003480	S.RESISTOR	ERJ3GEYJ 222 V (2.2 kΩ)
R595	7030003320	S.RESISTOR	ERJ3GEYJ 101 V (100 Ω)
R601	7030003480	S.RESISTOR	ERJ3GEYJ 222 V (2.2 kΩ)
R602	7030003560	S.RESISTOR	ERJ3GEYJ 103 V (10 kΩ)
R603	7030003360	S.RESISTOR	ERJ3GEYJ 221 V (220 Ω)
R604	7030003480	S.RESISTOR	ERJ3GEYJ 222 V (2.2 kΩ)
R605	7030003320	S.RESISTOR	ERJ3GEYJ 101 V (100 Ω)
R611	7030003560	S.RESISTOR	ERJ3GEYJ 103 V (10 kΩ)
R612	7030003520	S.RESISTOR	ERJ3GEYJ 472 V (4.7 kΩ)
R613	7030003520	S.RESISTOR	ERJ3GEYJ 472 V (4.7 kΩ)
R614	7030003520	S.RESISTOR	ERJ3GEYJ 472 V (4.7 kΩ)
R615	7030003520	S.RESISTOR	ERJ3GEYJ 472 V (4.7 kΩ)
R616	7030003600	S.RESISTOR	ERJ3GEYJ 223 V (22 kΩ)
R621	7030003520	S.RESISTOR	ERJ3GEYJ 472 V (4.7 kΩ)
R631	7030003440	S.RESISTOR	ERJ3GEYJ 102 V (1 kΩ)
R632	7030003400	S.RESISTOR	ERJ3GEYJ 471 V (470 Ω)
R633	7030003400	S.RESISTOR	ERJ3GEYJ 471 V (470 Ω)

[MAIN UNIT]

REF NO.	ORDER NO.	DESCRIPTION	
R634	7030003500	S.RESISTOR	ERJ3GEYJ 332 V (3.3 kΩ)
R635	7030003400	S.RESISTOR	ERJ3GEYJ 471 V (470 Ω)
R636	7030003500	S.RESISTOR	ERJ3GEYJ 332 V (3.3 kΩ)
R637	7030003490	S.RESISTOR	ERJ3GEYJ 272 V (2.7 kΩ)
R638	7030003440	S.RESISTOR	ERJ3GEYJ 102 V (1 kΩ)
R639	7030003440	S.RESISTOR	ERJ3GEYJ 102 V (1 kΩ)
R640	7030003500	S.RESISTOR	ERJ3GEYJ 332 V (3.3 kΩ)
R641	7030003480	S.RESISTOR	ERJ3GEYJ 222 V (2.2 kΩ)
R642	7030003640	S.RESISTOR	ERJ3GEYJ 473 V (47 kΩ)
R643	7030003490	S.RESISTOR	ERJ3GEYJ 272 V (2.7 kΩ)
R644	7030003490	S.RESISTOR	ERJ3GEYJ 272 V (2.7 kΩ)
R645	7030003500	S.RESISTOR	ERJ3GEYJ 332 V (3.3 kΩ)
R646	7030003440	S.RESISTOR	ERJ3GEYJ 102 V (1 kΩ)
R647	7030003320	S.RESISTOR	ERJ3GEYJ 101 V (100 Ω)
R651	7030003680	S.RESISTOR	ERJ3GEYJ 104 V (100 kΩ)
R652	7030003360	S.RESISTOR	ERJ3GEYJ 221 V (220 Ω)
R653	7030003560	S.RESISTOR	ERJ3GEYJ 103 V (10 kΩ)
R654	7030003560	S.RESISTOR	ERJ3GEYJ 103 V (10 kΩ)
R662	7310004090	S.TRIMMER	EVM-1YSX50 B14 (103)
R663	7030003440	S.RESISTOR	ERJ3GEYJ 102 V (1 kΩ)
R664	7030003460	S.RESISTOR	ERJ3GEYJ 101 V (100 Ω)
R665	7030003520	S.RESISTOR	ERJ3GEYJ 472 V (4.7 kΩ)
R666	7030003560	S.RESISTOR	ERJ3GEYJ 103 V (10 kΩ)
R667	7030003380	S.RESISTOR	ERJ3GEYJ 331 V (330 Ω)
R668	7030003490	S.RESISTOR	ERJ3GEYJ 272 V (2.7 kΩ)
R670	7030003440	S.RESISTOR	ERJ3GEYJ 102 V (1 kΩ)
R671	7030003440	S.RESISTOR	ERJ3GEYJ 102 V (1 kΩ)
R672	7030003600	S.RESISTOR	ERJ3GEYJ 223 V (22 kΩ)
R673	7030003600	S.RESISTOR	ERJ3GEYJ 223 V (22 kΩ)
R674	7310004060	S.TRIMMER	EVM-1YSX50 B13 (102)
R675	7030003460	S.RESISTOR	ERJ3GEYJ 152 V (1.5 kΩ)
R681	7030003520	S.RESISTOR	ERJ3GEYJ 472 V (4.7 kΩ)
R682	7030003520	S.RESISTOR	ERJ3GEYJ 472 V (4.7 kΩ)
R683	7310002740	S.TRIMMER	RV-150
R686	7030003440	S.RESISTOR	ERJ3GEYJ 102 V (1 kΩ)
R687	7310002740	S.TRIMMER	RV-150
R688	7030003520	S.RESISTOR	ERJ3GEYJ 472 V (4.7 kΩ)
R689	7030003400	S.RESISTOR	ERJ3GEYJ 471 V (470 Ω)
R690	7030003640	S.RESISTOR	ERJ3GEYJ 473 V (47 kΩ)
R691	7030003520	S.RESISTOR	ERJ3GEYJ 472 V (4.7 kΩ)
R701	7030003560	S.RESISTOR	ERJ3GEYJ 103 V (10 kΩ)
R702	7030003560	S.RESISTOR	ERJ3GEYJ 103 V (10 kΩ)
R703	7030003360	S.RESISTOR	ERJ3GEYJ 221 V (220 Ω)
R704	7030003560	S.RESISTOR	ERJ3GEYJ 103 V (10 kΩ)
R705	7030003320	S.RESISTOR	ERJ3GEYJ 101 V (100 Ω)
R711	7030003510	S.RESISTOR	ERJ3GEYJ 392 V (3.9 kΩ)
R712	7030003560	S.RESISTOR	ERJ3GEYJ 103 V (10 kΩ)
R713	7030003360	S.RESISTOR	ERJ3GEYJ 221 V (220 Ω)
R714	7030003510	S.RESISTOR	ERJ3GEYJ 392 V (3.9 kΩ)
R715	7030003320	S.RESISTOR	ERJ3GEYJ 101 V (100 Ω)
R721	7030003510	S.RESISTOR	ERJ3GEYJ 392 V (3.9 kΩ)
R722	7030003560	S.RESISTOR	ERJ3GEYJ 103 V (10 kΩ)
R723	7030003360	S.RESISTOR	ERJ3GEYJ 221 V (220 Ω)
R724	7030003510	S.RESISTOR	ERJ3GEYJ 392 V (3.9 kΩ)
R725	7030003320	S.RESISTOR	ERJ3GEYJ 101 V (100 Ω)
R731	7030003510	S.RESISTOR	ERJ3GEYJ 392 V (3.9 kΩ)
R732	7030003560	S.RESISTOR	ERJ3GEYJ 103 V (10 kΩ)
R733	7030003360	S.RESISTOR	ERJ3GEYJ 221 V (220 Ω)
R734	7030003510	S.RESISTOR	ERJ3GEYJ 392 V (3.9 kΩ)
R735	7030003320	S.RESISTOR	ERJ3GEYJ 101 V (100 Ω)
R741	7030003560	S.RESISTOR	ERJ3GEYJ 103 V (10 kΩ)
R742	7030003560	S.RESISTOR	ERJ3GEYJ 103 V (10 kΩ)
R751	7030003320	S.RESISTOR	ERJ3GEYJ 101 V (100 Ω)
R752	7030003600	S.RESISTOR	ERJ3GEYJ 223 V (22 kΩ)
R753	7030003480	S.RESISTOR	ERJ3GEYJ 222 V (2.2 kΩ)
R754	7030003380	S.RESISTOR	ERJ3GEYJ 331 V (330 Ω)
R755	7030003320	S.RESISTOR	ERJ3GEYJ 101 V (100 Ω)
R761	7310002590	S.TRIMMER	RV-109
R763	7030003600	S.RESISTOR	ERJ3GEYJ 223 V (22 kΩ)
R764	7030003340	S.RESISTOR	ERJ3GEYJ 151 V (150 Ω)
R765	7030003320	S.RESISTOR	ERJ3GEYJ 101 V (100 Ω)
R766	7030003560	S.RESISTOR	ERJ3GEYJ 103 V (10 kΩ)
R767	7030003560	S.RESISTOR	ERJ3GEYJ 103 V (10 kΩ)
R768	7030003500	S.RESISTOR	ERJ3GEYJ 332 V (3.3 kΩ)
R769	7030003560	S.RESISTOR	ERJ3GEYJ 103 V (10 kΩ)
R770	7030003590	S.RESISTOR	ERJ3GEYJ 183 V (18 kΩ)
R771	7030003680	S.RESISTOR	ERJ3GEYJ 104 V (100 kΩ)
R772	7030003380	S.RESISTOR	ERJ3GEYJ 331 V (330 Ω)
R773	7030003700	S.RESISTOR	ERJ3GEYJ 154 V (150 kΩ)
R774	7030003500	S.RESISTOR	ERJ3GEYJ 332 V (3.3 kΩ)
R775	7030003720	S.RESISTOR	ERJ3GEYJ 224 V (220 kΩ)
R776	7030003460	S.RESISTOR	ERJ3GEYJ 152 V (1.5 kΩ)

S.=Surface mount

[MAIN UNIT]

REF NO.	ORDER NO.	DESCRIPTION
R791	7030003440	S.RESISTOR ERJ3GEYJ 102 V (1 kΩ)
R792	7030003440	S.RESISTOR ERJ3GEYJ 102 V (1 kΩ)
R793	7030003440	S.RESISTOR ERJ3GEYJ 102 V (1 kΩ)
R794	7030003500	S.RESISTOR ERJ3GEYJ 332 V (3.3 kΩ)
R795	7030003480	S.RESISTOR ERJ3GEYJ 222 V (2.2 kΩ)
R796	7030003460	S.RESISTOR ERJ3GEYJ 152 V (1.5 kΩ)
R797	7030003440	S.RESISTOR ERJ3GEYJ 102 V (1 kΩ)
R798	7030003440	S.RESISTOR ERJ3GEYJ 102 V (1 kΩ)
R799	7030003480	S.RESISTOR ERJ3GEYJ 222 V (2.2 kΩ)
R800	7030003440	S.RESISTOR ERJ3GEYJ 102 V (1 kΩ)
R801	7030003640	S.RESISTOR ERJ3GEYJ 473 V (47 kΩ)
R811	7030003360	S.RESISTOR ERJ3GEYJ 221 V (220 Ω)
R812	7030003720	S.RESISTOR ERJ3GEYJ 224 V (220 kΩ)
R813	7030003440	S.RESISTOR ERJ3GEYJ 102 V (1 kΩ)
R821	7030003440	S.RESISTOR ERJ3GEYJ 102 V (1 kΩ)
R822	7030003680	S.RESISTOR ERJ3GEYJ 104 V (100 kΩ)
R823	7030003440	S.RESISTOR ERJ3GEYJ 102 V (1 kΩ)
R824	7030003660	S.RESISTOR ERJ3GEYJ 683 V (68 kΩ)
R825	7030003640	S.RESISTOR ERJ3GEYJ 473 V (47 kΩ)
R831	7030003570	S.RESISTOR ERJ3GEYJ 123 V (12 kΩ)
R832	7030003570	S.RESISTOR ERJ3GEYJ 123 V (12 kΩ)
R833	7030003360	S.RESISTOR ERJ3GEYJ 221 V (220 Ω)
R834	7030003620	S.RESISTOR ERJ3GEYJ 333 V (33 kΩ)
R841	7030003680	S.RESISTOR ERJ3GEYJ 104 V (100 kΩ)
R842	7030003600	S.RESISTOR ERJ3GEYJ 223 V (22 kΩ)
R843	7030003320	S.RESISTOR ERJ3GEYJ 101 V (100 Ω)
R844	7030003780	S.RESISTOR ERJ3GEYJ 684 V (680 kΩ)
R845	7030003520	S.RESISTOR ERJ3GEYJ 472 V (4.7 kΩ)
R846	7030003600	S.RESISTOR ERJ3GEYJ 223 V (22 kΩ)
R847	7030003740	S.RESISTOR ERJ3GEYJ 334 V (330 kΩ)
R848	7030003560	S.RESISTOR ERJ3GEYJ 103 V (10 kΩ)
R851	7030003420	S.RESISTOR ERJ3GEYJ 681 V (680 Ω)
R861	7030003680	S.RESISTOR ERJ3GEYJ 104 V (100 kΩ)
R862	7030003520	S.RESISTOR ERJ3GEYJ 472 V (4.7 kΩ)
R863	7030003320	S.RESISTOR ERJ3GEYJ 101 V (100 Ω)
R864	7030003320	S.RESISTOR ERJ3GEYJ 101 V (100 Ω)
R865	7030003600	S.RESISTOR ERJ3GEYJ 223 V (22 kΩ)
R866	7310002740	S.TRIMMER RV-150
R867	7030003640	S.RESISTOR ERJ3GEYJ 473 V (47 kΩ)
R868	7030003640	S.RESISTOR ERJ3GEYJ 473 V (47 kΩ)
R869	7030003640	S.RESISTOR ERJ3GEYJ 473 V (47 kΩ)
R870	7030003440	S.RESISTOR ERJ3GEYJ 102 V (1 kΩ)
R871	7030003520	S.RESISTOR ERJ3GEYJ 472 V (4.7 kΩ)
R872	7030003320	S.RESISTOR ERJ3GEYJ 101 V (100 Ω)
R873	7030003640	S.RESISTOR ERJ3GEYJ 473 V (47 kΩ)
R874	7030003520	S.RESISTOR ERJ3GEYJ 472 V (4.7 kΩ)
R875	7030003680	S.RESISTOR ERJ3GEYJ 104 V (100 kΩ)
R876	7030003400	S.RESISTOR ERJ3GEYJ 471 V (470 Ω)
R877	7030003440	S.RESISTOR ERJ3GEYJ 102 V (1 kΩ)
R878	7030003540	S.RESISTOR ERJ3GEYJ 682 V (6.8 kΩ)
R879	7030003600	S.RESISTOR ERJ3GEYJ 223 V (22 kΩ)
R880	7030003280	S.RESISTOR ERJ3GEYJ 470 V (47 Ω)
R881	7030003440	S.RESISTOR ERJ3GEYJ 102 V (1 kΩ)
R891	7030003560	S.RESISTOR ERJ3GEYJ 103 V (10 kΩ)
R892	7030003840	S.RESISTOR ERJ3GEYJ 225 V (2.2 MΩ)
R893	7030003580	S.RESISTOR ERJ3GEYJ 153 V (15 kΩ)
R894	7030003320	S.RESISTOR ERJ3GEYJ 101 V (100 Ω)
R895	7030003520	S.RESISTOR ERJ3GEYJ 472 V (4.7 kΩ)
R896	7030003600	S.RESISTOR ERJ3GEYJ 223 V (22 kΩ)
R897	7030003680	S.RESISTOR ERJ3GEYJ 104 V (100 kΩ)
R898	7030003480	S.RESISTOR ERJ3GEYJ 222 V (2.2 kΩ)
R899	7030003760	S.RESISTOR ERJ3GEYJ 474 V (470 kΩ)
R900	7030003680	S.RESISTOR ERJ3GEYJ 104 V (100 kΩ)
R901	7030003680	S.RESISTOR ERJ3GEYJ 104 V (100 kΩ)
R902	7030003320	S.RESISTOR ERJ3GEYJ 101 V (100 Ω)
R903	7030003340	S.RESISTOR ERJ3GEYJ 151 V (150 Ω)
R904	7030003680	S.RESISTOR ERJ3GEYJ 104 V (100 kΩ)
R905	7030003440	S.RESISTOR ERJ3GEYJ 102 V (1 kΩ)
R906	7030003320	S.RESISTOR ERJ3GEYJ 101 V (100 Ω)
R907	7030003280	S.RESISTOR ERJ3GEYJ 470 V (47 Ω)
R908	7030003440	S.RESISTOR ERJ3GEYJ 102 V (1 kΩ)
R909	7030003400	S.RESISTOR ERJ3GEYJ 471 V (470 Ω)
R921	7030003380	S.RESISTOR ERJ3GEYJ 331 V (330 Ω)
R931	7030003560	S.RESISTOR ERJ3GEYJ 103 V (10 kΩ)
R932	7030003660	S.RESISTOR ERJ3GEYJ 683 V (68 kΩ)
R933	7030003630	S.RESISTOR ERJ3GEYJ 393 V (39 kΩ)
R934	7030003640	S.RESISTOR ERJ3GEYJ 473 V (47 kΩ)
R941	7030003840	S.RESISTOR ERJ3GEYJ 225 V (2.2 MΩ)
R942	7030004710	S.RESISTOR ERJ3GEYJ 475 V (4.7 MΩ)
R943	7030004710	S.RESISTOR ERJ3GEYJ 475 V (4.7 MΩ)
R944	7030003820	S.RESISTOR ERJ3GEYJ 155 V (1.5 MΩ)
R951	7030003680	S.RESISTOR ERJ3GEYJ 104 V (100 kΩ)

[MAIN UNIT]

REF NO.	ORDER NO.	DESCRIPTION
R952	7030003560	S.RESISTOR ERJ3GEYJ 103 V (10 kΩ)
R953	7030003320	S.RESISTOR ERJ3GEYJ 101 V (100 Ω)
R954	7030003560	S.RESISTOR ERJ3GEYJ 103 V (10 kΩ)
R955	7030003680	S.RESISTOR ERJ3GEYJ 104 V (100 kΩ)
R961	7030003680	S.RESISTOR ERJ3GEYJ 104 V (100 kΩ)
R962	7030003560	S.RESISTOR ERJ3GEYJ 103 V (10 kΩ)
R963	7030003320	S.RESISTOR ERJ3GEYJ 101 V (100 Ω)
R964	7030003560	S.RESISTOR ERJ3GEYJ 103 V (10 kΩ)
R971	7030009340	S.RESISTOR ERJ3GEYJ 275V (2.7 MΩ)
R972	7030003800	S.RESISTOR ERJ3GEYJ 105 V (1 MΩ)
R973	7030003760	S.RESISTOR ERJ3GEYJ 474 V (470 kΩ)
R981	7030008180	S.RESISTOR ERJ12YJ331H (330 Ω)
R982	7030003560	S.RESISTOR ERJ3GEYJ 103 V (10 kΩ)
R983	7030003680	S.RESISTOR ERJ3GEYJ 104 V (100 kΩ)
R984	7030003720	S.RESISTOR ERJ3GEYJ 224 V (220 kΩ)
R985	7030003760	S.RESISTOR ERJ3GEYJ 474 V (470 kΩ)
R986	7030003820	S.RESISTOR ERJ3GEYJ 155 V (1.5 MΩ)
R987	7030003380	S.RESISTOR ERJ3GEYJ 331 V (330 Ω)
R989	7310002800	S.TRIMMER RV-156
R991	7310002800	S.TRIMMER RV-156
R993	7310002800	S.TRIMMER RV-156
R994	7310002800	S.TRIMMER RV-156
R995	7030003560	S.RESISTOR ERJ3GEYJ 103 V (10 kΩ)
R996	7030003680	S.RESISTOR ERJ3GEYJ 104 V (100 kΩ)
R997	7030003320	S.RESISTOR ERJ3GEYJ 101 V (100 Ω)
R1012	7030003740	S.RESISTOR ERJ3GEYJ 334 V (330 kΩ)
R1013	7030003680	S.RESISTOR ERJ3GEYJ 104 V (100 kΩ)
R1014	7030003680	S.RESISTOR ERJ3GEYJ 104 V (100 kΩ)
R1015	7030003840	S.RESISTOR ERJ3GEYJ 225 V (2.2 MΩ)
R1016	7030003560	S.RESISTOR ERJ3GEYJ 103 V (10 kΩ)
R1017	7030003400	S.RESISTOR ERJ3GEYJ 471 V (470 Ω)
R1021	7030003640	S.RESISTOR ERJ3GEYJ 473 V (47 kΩ)
R1022	7030003640	S.RESISTOR ERJ3GEYJ 473 V (47 kΩ)
R1023	7030003620	S.RESISTOR ERJ3GEYJ 333 V (33 kΩ)
R1024	7030003620	S.RESISTOR ERJ3GEYJ 333 V (33 kΩ)
R1025	7310002740	S.TRIMMER RV-150
R1026	7030003800	S.RESISTOR ERJ3GEYJ 105 V (1 MΩ)
R1033	7030003440	S.RESISTOR ERJ3GEYJ 102 V (1 kΩ)
R1034	7030003400	S.RESISTOR ERJ3GEYJ 471 V (470 Ω)
R1035	7030003400	S.RESISTOR ERJ3GEYJ 471 V (470 Ω)
R1041	7030003400	S.RESISTOR ERJ3GEYJ 471 V (470 Ω)
R1042	7030003400	S.RESISTOR ERJ3GEYJ 471 V (470 Ω)
R1043	7030003560	S.RESISTOR ERJ3GEYJ 103 V (10 kΩ)
R1044	7030003560	S.RESISTOR ERJ3GEYJ 103 V (10 kΩ)
R1045	7030003670	S.RESISTOR ERJ3GEYJ 823 V (82 kΩ)
R1046	7030003640	S.RESISTOR ERJ3GEYJ 473 V (47 kΩ)
R1051	7030003440	S.RESISTOR ERJ3GEYJ 102 V (1 kΩ)
R1052	7030003600	S.RESISTOR ERJ3GEYJ 223 V (22 kΩ)
R1053	7030003440	S.RESISTOR ERJ3GEYJ 102 V (1 kΩ)
R1054	7030003580	S.RESISTOR ERJ3GEYJ 153 V (15 kΩ)
R1061	7030003640	S.RESISTOR ERJ3GEYJ 473 V (47 kΩ)
R1062	7030003590	S.RESISTOR ERJ3GEYJ 183 V (18 kΩ)
R1063	7030003440	S.RESISTOR ERJ3GEYJ 102 V (1 kΩ)
R1064	7030003520	S.RESISTOR ERJ3GEYJ 472 V (4.7 kΩ)
R1065	7030003520	S.RESISTOR ERJ3GEYJ 472 V (4.7 kΩ)
R1066	7030003550	S.RESISTOR ERJ3GEYJ 822 V (8.2 kΩ)
R1067	7030003320	S.RESISTOR ERJ3GEYJ 101 V (100 Ω)
R1068	7030003610	S.RESISTOR ERJ3GEYJ 273 V (27 kΩ)
R1069	7030003480	S.RESISTOR ERJ3GEYJ 222 V (2.2 kΩ)
R1070	7030003680	S.RESISTOR ERJ3GEYJ 104 V (100 kΩ)
R1081	7030003560	S.RESISTOR ERJ3GEYJ 103 V (10 kΩ)
R1082	7030003720	S.RESISTOR ERJ3GEYJ 224 V (220 kΩ)
R1083	7030003680	S.RESISTOR ERJ3GEYJ 104 V (100 kΩ)
R1084	7030003680	S.RESISTOR ERJ3GEYJ 104 V (100 kΩ)
R1085	7030003680	S.RESISTOR ERJ3GEYJ 104 V (100 kΩ)
R1086	7030003680	S.RESISTOR ERJ3GEYJ 104 V (100 kΩ)
R1087	7030003600	S.RESISTOR ERJ3GEYJ 223 V (22 kΩ)
R1088	7030003640	S.RESISTOR ERJ3GEYJ 473 V (47 kΩ)
R1089	7030003680	S.RESISTOR ERJ3GEYJ 104 V (100 kΩ)
R1090	7030003320	S.RESISTOR ERJ3GEYJ 101 V (100 Ω)
R1091	7030003610	S.RESISTOR ERJ3GEYJ 273 V (27 kΩ)
R1092	7030003480	S.RESISTOR ERJ3GEYJ 222 V (2.2 kΩ)
R1093	7030003550	S.RESISTOR ERJ3GEYJ 822 V (8.2 kΩ)
R1094	7030003400	S.RESISTOR ERJ3GEYJ 471 V (470 Ω)
R1095	7030003400	S.RESISTOR ERJ3GEYJ 471 V (470 Ω)
R1096	7030003400	S.RESISTOR ERJ3GEYJ 471 V (470 Ω)
R1097	7030003400	S.RESISTOR ERJ3GEYJ 471 V (470 Ω)
R1098	7030003440	S.RESISTOR ERJ3GEYJ 102 V (1 kΩ)
R1099	7030003380	S.RESISTOR ERJ3GEYJ 331 V (330 Ω)
R1101	7030003280	S.RESISTOR ERJ3GEYJ 470 V (47 Ω)
R1102	7030003560	S.RESISTOR ERJ3GEYJ 103 V (10 kΩ)
R1103	7030003440	S.RESISTOR ERJ3GEYJ 102 V (1 kΩ)

S.=Surface mount

[MAIN UNIT]

REF NO.	ORDER NO.	DESCRIPTION
R1104	7030003400	S.RESISTOR ERJ3GEYJ 471 V (470 Ω)
R1111	7030003200	S.RESISTOR ERJ3GEYJ 100 V (10 Ω)
R1123	7030003600	S.RESISTOR ERJ3GEYJ 223 V (22 kΩ)
R1124	7030003560	S.RESISTOR ERJ3GEYJ 103 V (10 kΩ)
R1125	7030003680	S.RESISTOR ERJ3GEYJ 104 V (100 kΩ)
R1126	7030003720	S.RESISTOR ERJ3GEYJ 224 V (220 kΩ)
R1127	7030003680	S.RESISTOR ERJ3GEYJ 104 V (100 kΩ)
R1128	7030003560	S.RESISTOR ERJ3GEYJ 103 V (10 kΩ)
R1129	7030003670	S.RESISTOR ERJ3GEYJ 823 V (82 kΩ)
R1130	7030003520	S.RESISTOR ERJ3GEYJ 472 V (4.7 kΩ)
R1131	7030003440	S.RESISTOR ERJ3GEYJ 102 V (1 kΩ)
R1132	7030003360	S.RESISTOR ERJ3GEYJ 221 V (220 Ω)
R1133	7030003520	S.RESISTOR ERJ3GEYJ 472 V (4.7 kΩ)
R1134	7030003560	S.RESISTOR ERJ3GEYJ 103 V (10 kΩ)
R1135	7030003720	S.RESISTOR ERJ3GEYJ 224 V (220 kΩ)
R1136	7030003640	S.RESISTOR ERJ3GEYJ 473 V (47 kΩ)
R1137	7030003640	S.RESISTOR ERJ3GEYJ 473 V (47 kΩ)
R1138	7030003560	S.RESISTOR ERJ3GEYJ 103 V (10 kΩ)
R1139	7210003000	VARIABLE EVU-ELOEC2 B25 (200KB)
R1140	7030003600	S.RESISTOR ERJ3GEYJ 223 V (22 kΩ)
R1141	7030003540	S.RESISTOR ERJ3GEYJ 682 V (6.8 kΩ)
R1142	7030003720	S.RESISTOR ERJ3GEYJ 224 V (220 kΩ)
R1143	7030003290	S.RESISTOR ERJ3GEYJ 560 V (56 Ω)
R1144	7030003540	S.RESISTOR ERJ3GEYJ 682 V (6.8 kΩ)
R1145	7030003520	S.RESISTOR ERJ3GEYJ 472 V (4.7 kΩ)
R1146	7030003620	S.RESISTOR ERJ3GEYJ 333 V (33 kΩ)
R1147	7030003320	S.RESISTOR ERJ3GEYJ 101 V (100 Ω)
R1148	7030003360	S.RESISTOR ERJ3GEYJ 221 V (220 Ω)
R1149	7030003540	S.RESISTOR ERJ3GEYJ 682 V (6.8 kΩ)
R1150	7030003540	S.RESISTOR ERJ3GEYJ 682 V (6.8 kΩ)
R1161	7030003590	S.RESISTOR ERJ3GEYJ 183 V (18 kΩ)
R1162	7030003640	S.RESISTOR ERJ3GEYJ 473 V (47 kΩ)
R1163	7030003580	S.RESISTOR ERJ3GEYJ 153 V (15 kΩ)
R1164	7030003520	S.RESISTOR ERJ3GEYJ 472 V (4.7 kΩ)
R1165	7030003700	S.RESISTOR ERJ3GEYJ 154 V (150 kΩ)
R1166	7030003370	S.RESISTOR ERJ3GEYJ 271 V (270 Ω)
R1167	7030003560	S.RESISTOR ERJ3GEYJ 103 V (10 kΩ)
R1168	7030003750	S.RESISTOR ERJ3GEYJ 394 V (390 kΩ)
R1169	7030003680	S.RESISTOR ERJ3GEYJ 104 V (100 kΩ)
R1170	7030003700	S.RESISTOR ERJ3GEYJ 154 V (150 kΩ)
R1171	7030003200	S.RESISTOR ERJ3GEYJ 100 V (10 Ω)
R1172	7030003750	S.RESISTOR ERJ3GEYJ 394 V (390 kΩ)
R1173	7030003670	S.RESISTOR ERJ3GEYJ 823 V (82 kΩ)
R1174	7030003440	S.RESISTOR ERJ3GEYJ 102 V (1 kΩ)
R1175	7030003560	S.RESISTOR ERJ3GEYJ 103 V (10 kΩ)
R1176	7030003440	S.RESISTOR ERJ3GEYJ 102 V (1 kΩ)
R1177	7030003560	S.RESISTOR ERJ3GEYJ 103 V (10 kΩ)
R1178	7030003670	S.RESISTOR ERJ3GEYJ 823 V (82 kΩ)
R1179	7030003450	S.RESISTOR ERJ3GEYJ 122 V (1.2 kΩ)
R1180	7030003440	S.RESISTOR ERJ3GEYJ 102 V (1 kΩ)
R1181	7310002740	S.TRIMMER RV-150
R1182	7030003520	S.RESISTOR ERJ3GEYJ 472 V (4.7 kΩ)
R1183	7030003640	S.RESISTOR ERJ3GEYJ 473 V (47 kΩ)
R1184	7310002720	S.TRIMMER RV-148
R1191	7030003320	S.RESISTOR ERJ3GEYJ 101 V (100 Ω)
R1192	7030003320	S.RESISTOR ERJ3GEYJ 101 V (100 Ω)
R1193	7030003560	S.RESISTOR ERJ3GEYJ 103 V (10 kΩ)
R1194	7030003560	S.RESISTOR ERJ3GEYJ 103 V (10 kΩ)
R1195	7030003560	S.RESISTOR ERJ3GEYJ 103 V (10 kΩ)
R1201	7030003840	S.RESISTOR ERJ3GEYJ 225 V (2.2 MΩ)
R1202	7030003800	S.RESISTOR ERJ3GEYJ 105 V (1 MΩ)
R1203	7030003670	S.RESISTOR ERJ3GEYJ 823 V (82 kΩ)
R1204	7030003670	S.RESISTOR ERJ3GEYJ 823 V (82 kΩ)
R1205	7030003670	S.RESISTOR ERJ3GEYJ 823 V (82 kΩ)
R1208	7030003800	S.RESISTOR ERJ3GEYJ 105 V (1 MΩ)
R1209	7030003840	S.RESISTOR ERJ3GEYJ 225 V (2.2 MΩ)
R1210	7030003690	S.RESISTOR ERJ3GEYJ 124 V (120 kΩ)
R1211	7030003680	S.RESISTOR ERJ3GEYJ 104 V (100 kΩ)
R1212	7030003760	S.RESISTOR ERJ3GEYJ 474 V (470 kΩ)
R1221	7030006210	S.RESISTOR ERJ12YJ4R7H (4.7 Ω)
R1222	7030003440	S.RESISTOR ERJ3GEYJ 102 V (1 kΩ)
R1223	7030003560	S.RESISTOR ERJ3GEYJ 103 V (10 kΩ)
R1231	7030006210	S.RESISTOR ERJ12YJ4R7H (4.7 Ω)
R1232	7030003440	S.RESISTOR ERJ3GEYJ 102 V (1 kΩ)
R1233	7030003560	S.RESISTOR ERJ3GEYJ 103 V (10 kΩ)
R1271	7030003200	S.RESISTOR ERJ3GEYJ 100 V (10 Ω)
R1281	7030003520	S.RESISTOR ERJ3GEYJ 472 V (4.7 kΩ)
R1282	7030003520	S.RESISTOR ERJ3GEYJ 472 V (4.7 kΩ)
R1283	7030003620	S.RESISTOR ERJ3GEYJ 333 V (33 kΩ)
R1284	7030003580	S.RESISTOR ERJ3GEYJ 153 V (15 kΩ)
R1291	7030003200	S.RESISTOR ERJ3GEYJ 100 V (10 Ω)
R1301	7030003380	S.RESISTOR ERJ3GEYJ 331 V (330 Ω)

[MAIN UNIT]

REF NO.	ORDER NO.	DESCRIPTION
R1302	7030003560	S.RESISTOR ERJ3GEYJ 103 V (10 kΩ)
R1311	7030003480	S.RESISTOR ERJ3GEYJ 222 V (2.2 kΩ)
R1312	7030003480	S.RESISTOR ERJ3GEYJ 222 V (2.2 kΩ)
R1313	7030003560	S.RESISTOR ERJ3GEYJ 103 V (10 kΩ)
R1331	7030003480	S.RESISTOR ERJ3GEYJ 222 V (2.2 kΩ)
R1332	7030003480	S.RESISTOR ERJ3GEYJ 222 V (2.2 kΩ)
R1333	7030003400	S.RESISTOR ERJ3GEYJ 471 V (470 Ω)
R1334	7030003400	S.RESISTOR ERJ3GEYJ 471 V (470 Ω)
R1335	7030003360	S.RESISTOR ERJ3GEYJ 221 V (220 Ω)
R1336	7030003440	S.RESISTOR ERJ3GEYJ 102 V (1 kΩ)
R1337	7030003440	S.RESISTOR ERJ3GEYJ 102 V (1 kΩ)
R1338	7030003440	S.RESISTOR ERJ3GEYJ 102 V (1 kΩ)
R1339	7030003440	S.RESISTOR ERJ3GEYJ 102 V (1 kΩ)
R1340	7030003320	S.RESISTOR ERJ3GEYJ 101 V (100 Ω)
R1341	7030003320	S.RESISTOR ERJ3GEYJ 101 V (100 Ω)
R1342	7030003320	S.RESISTOR ERJ3GEYJ 101 V (100 Ω)
R1343	7030003440	S.RESISTOR ERJ3GEYJ 102 V (1 kΩ)
R1344	7030003440	S.RESISTOR ERJ3GEYJ 102 V (1 kΩ)
R1345	7030003360	S.RESISTOR ERJ3GEYJ 221 V (220 Ω)
R1346	7030003360	S.RESISTOR ERJ3GEYJ 221 V (220 Ω)
R1347	7030003440	S.RESISTOR ERJ3GEYJ 102 V (1 kΩ)
R1348	7030003440	S.RESISTOR ERJ3GEYJ 102 V (1 kΩ)
R1349	7030003440	S.RESISTOR ERJ3GEYJ 102 V (1 kΩ)
R1350	7030003440	S.RESISTOR ERJ3GEYJ 102 V (1 kΩ)
R1351	7030003440	S.RESISTOR ERJ3GEYJ 102 V (1 kΩ)
R1352	7030003320	S.RESISTOR ERJ3GEYJ 101 V (100 Ω)
R1353	7030003320	S.RESISTOR ERJ3GEYJ 101 V (100 Ω)
R1354	7030003320	S.RESISTOR ERJ3GEYJ 101 V (100 Ω)
R1355	7030003440	S.RESISTOR ERJ3GEYJ 102 V (1 kΩ)
R1356	7030003440	S.RESISTOR ERJ3GEYJ 102 V (1 kΩ)
R1501	7030003800	S.RESISTOR ERJ3GEYJ 105 V (1 MΩ)
R1502	7030003800	S.RESISTOR ERJ3GEYJ 105 V (1 MΩ)
R1503	7030003440	S.RESISTOR ERJ3GEYJ 102 V (1 kΩ)
R1521	7030003640	S.RESISTOR ERJ3GEYJ 473 V (47 kΩ)
R1522	7030003640	S.RESISTOR ERJ3GEYJ 473 V (47 kΩ)
R1523	7030003520	S.RESISTOR ERJ3GEYJ 472 V (4.7 kΩ)
R1531	7030003440	S.RESISTOR ERJ3GEYJ 102 V (1 kΩ)
R1551	7030003680	S.RESISTOR ERJ3GEYJ 104 V (100 kΩ)
R1552	7030003750	S.RESISTOR ERJ3GEYJ 394 V (390 kΩ)
R1553	7030003680	S.RESISTOR ERJ3GEYJ 104 V (100 kΩ)
R1554	7030003560	S.RESISTOR ERJ3GEYJ 103 V (10 kΩ)
R1555	7030003560	S.RESISTOR ERJ3GEYJ 103 V (10 kΩ)
R1556	7030003560	S.RESISTOR ERJ3GEYJ 103 V (10 kΩ)
R1557	7030003560	S.RESISTOR ERJ3GEYJ 103 V (10 kΩ)
R1558	7030003680	S.RESISTOR ERJ3GEYJ 104 V (100 kΩ)
R1559	7030003560	S.RESISTOR ERJ3GEYJ 103 V (10 kΩ)
R1560	7030003560	S.RESISTOR ERJ3GEYJ 103 V (10 kΩ)
R1561	7030003260	S.RESISTOR ERJ3GEYJ 330 V (33 Ω)
R1562	7030003260	S.RESISTOR ERJ3GEYJ 330 V (33 Ω)
R1574	7030003630	S.RESISTOR ERJ3GEYJ 393 V (39 kΩ)
R1575	7030003630	S.RESISTOR ERJ3GEYJ 393 V (39 kΩ)
R1576	7030003630	S.RESISTOR ERJ3GEYJ 393 V (39 kΩ)
R1577	7030003630	S.RESISTOR ERJ3GEYJ 393 V (39 kΩ)
R1578	7030003580	S.RESISTOR ERJ3GEYJ 153 V (15 kΩ)
R1579	7030003560	S.RESISTOR ERJ3GEYJ 103 V (10 kΩ)
R1580	7030003560	S.RESISTOR ERJ3GEYJ 103 V (10 kΩ)
R1581	7030003680	S.RESISTOR ERJ3GEYJ 104 V (100 kΩ)
R1582	7030003800	S.RESISTOR ERJ3GEYJ 105 V (1 MΩ)
R1591	7030003440	S.RESISTOR ERJ3GEYJ 102 V (1 kΩ)
R1592	7030003440	S.RESISTOR ERJ3GEYJ 102 V (1 kΩ)
R1593	7030003440	S.RESISTOR ERJ3GEYJ 102 V (1 kΩ)
R1594	7030003440	S.RESISTOR ERJ3GEYJ 102 V (1 kΩ)
R1595	7030003440	S.RESISTOR ERJ3GEYJ 102 V (1 kΩ)
R1601	7030003440	S.RESISTOR ERJ3GEYJ 102 V (1 kΩ)
R1602	7030003440	S.RESISTOR ERJ3GEYJ 102 V (1 kΩ)
R1603	7030003440	S.RESISTOR ERJ3GEYJ 102 V (1 kΩ)
R1604	7030003440	S.RESISTOR ERJ3GEYJ 102 V (1 kΩ)
R1605	7030003440	S.RESISTOR ERJ3GEYJ 102 V (1 kΩ)
R1606	7030003440	S.RESISTOR ERJ3GEYJ 102 V (1 kΩ)
R1607	7030003440	S.RESISTOR ERJ3GEYJ 102 V (1 kΩ)
R1608	7030003440	S.RESISTOR ERJ3GEYJ 102 V (1 kΩ)
R1609	7030003440	S.RESISTOR ERJ3GEYJ 102 V (1 kΩ)
R1610	7030003440	S.RESISTOR ERJ3GEYJ 102 V (1 kΩ)
R1611	7030003440	S.RESISTOR ERJ3GEYJ 102 V (1 kΩ)
R1612	7030003440	S.RESISTOR ERJ3GEYJ 102 V (1 kΩ)
R1613	7030003440	S.RESISTOR ERJ3GEYJ 102 V (1 kΩ)
R1614	7030003440	S.RESISTOR ERJ3GEYJ 102 V (1 kΩ)
R1615	7030003440	S.RESISTOR ERJ3GEYJ 102 V (1 kΩ)
R1616	7030003440	S.RESISTOR ERJ3GEYJ 102 V (1 kΩ)
R1617	7030003440	S.RESISTOR ERJ3GEYJ 102 V (1 kΩ)
R1618	7030003440	S.RESISTOR ERJ3GEYJ 102 V (1 kΩ)
R1619	7030003440	S.RESISTOR ERJ3GEYJ 102 V (1 kΩ)

S.=Surface mount

[MAIN UNIT]

REF NO.	ORDER NO.	DESCRIPTION
R1620	7030003440	S.RESISTOR ERJ3GGEYJ 102 V (1 kΩ)
R1621	7030003440	S.RESISTOR ERJ3GGEYJ 102 V (1 kΩ)
R1622	7030003440	S.RESISTOR ERJ3GGEYJ 102 V (1 kΩ)
R1623	7030003440	S.RESISTOR ERJ3GGEYJ 102 V (1 kΩ)
R1624	7030003440	S.RESISTOR ERJ3GGEYJ 102 V (1 kΩ)
R1625	7030003440	S.RESISTOR ERJ3GGEYJ 102 V (1 kΩ)
R1626	7030003320	S.RESISTOR ERJ3GGEYJ 101 V (100 Ω)
R1627	7030003320	S.RESISTOR ERJ3GGEYJ 101 V (100 Ω)
R1628	7030003320	S.RESISTOR ERJ3GGEYJ 101 V (100 Ω)
R1629	7030003320	S.RESISTOR ERJ3GGEYJ 101 V (100 Ω)
R1630	7030003320	S.RESISTOR ERJ3GGEYJ 101 V (100 Ω)
R1631	7030003320	S.RESISTOR ERJ3GGEYJ 101 V (100 Ω)
R1632	7030003320	S.RESISTOR ERJ3GGEYJ 101 V (100 Ω)
R1633	7030003320	S.RESISTOR ERJ3GGEYJ 101 V (100 Ω)
R1634	7030003320	S.RESISTOR ERJ3GGEYJ 101 V (100 Ω)
R1701	7030003640	S.RESISTOR ERJ3GGEYJ 473 V (47 kΩ)
R1702	7030003640	S.RESISTOR ERJ3GGEYJ 473 V (47 kΩ)
R1703	7030003640	S.RESISTOR ERJ3GGEYJ 473 V (47 kΩ)
R1704	7030003440	S.RESISTOR ERJ3GGEYJ 102 V (1 kΩ)
R1705	7030003440	S.RESISTOR ERJ3GGEYJ 102 V (1 kΩ)
R1706	7030003440	S.RESISTOR ERJ3GGEYJ 102 V (1 kΩ)
R1707	7030003440	S.RESISTOR ERJ3GGEYJ 102 V (1 kΩ)
R1708	7030003440	S.RESISTOR ERJ3GGEYJ 102 V (1 kΩ)
R1709	7030003640	S.RESISTOR ERJ3GGEYJ 473 V (47 kΩ)
R1710	7030003520	S.RESISTOR ERJ3GGEYJ 472 V (4.7 kΩ)
R1711	7030003520	S.RESISTOR ERJ3GGEYJ 472 V (4.7 kΩ)
R1712	7030003800	S.RESISTOR ERJ3GGEYJ 105 V (1 MΩ)
R1713	7030003720	S.RESISTOR ERJ3GGEYJ 224 V (220 kΩ)
R1714	7030003680	S.RESISTOR ERJ3GGEYJ 104 V (100 kΩ)
R1715	7030003440	S.RESISTOR ERJ3GGEYJ 102 V (1 kΩ)
R1716	7030003520	S.RESISTOR ERJ3GGEYJ 472 V (4.7 kΩ)
R1719	7030003440	S.RESISTOR ERJ3GGEYJ 102 V (1 kΩ)
R1720	7030003540	S.RESISTOR ERJ3GGEYJ 682 V (6.8 kΩ)
R1721	7030003620	S.RESISTOR ERJ3GGEYJ 333 V (33 kΩ)
R1722	7030003640	S.RESISTOR ERJ3GGEYJ 473 V (47 kΩ)
R1723	7030003680	S.RESISTOR ERJ3GGEYJ 104 V (100 kΩ)
R1724	7030003680	S.RESISTOR ERJ3GGEYJ 104 V (100 kΩ)
R1725	7030003580	S.RESISTOR ERJ3GGEYJ 153 V (15 kΩ)
R1726	7030003640	S.RESISTOR ERJ3GGEYJ 473 V (47 kΩ)
R1727	7030003640	S.RESISTOR ERJ3GGEYJ 473 V (47 kΩ)
R1728	7030003680	S.RESISTOR ERJ3GGEYJ 104 V (100 kΩ)
R1729	7030003680	S.RESISTOR ERJ3GGEYJ 104 V (100 kΩ)
R1730	7030003440	S.RESISTOR ERJ3GGEYJ 102 V (1 kΩ)
R1731	7030003640	S.RESISTOR ERJ3GGEYJ 473 V (47 kΩ)
R1732	7030003640	S.RESISTOR ERJ3GGEYJ 473 V (47 kΩ)
R1733	7030003640	S.RESISTOR ERJ3GGEYJ 473 V (47 kΩ)
R1734	7030003640	S.RESISTOR ERJ3GGEYJ 473 V (47 kΩ)
R1735	7030003440	S.RESISTOR ERJ3GGEYJ 102 V (1 kΩ)
R1736	7030003520	S.RESISTOR ERJ3GGEYJ 472 V (4.7 kΩ)
R1737	7030003440	S.RESISTOR ERJ3GGEYJ 102 V (1 kΩ)
R1738	7030003640	S.RESISTOR ERJ3GGEYJ 473 V (47 kΩ)
R1747	7030003640	S.RESISTOR ERJ3GGEYJ 473 V (47 kΩ)
R1748	7030003440	S.RESISTOR ERJ3GGEYJ 102 V (1 kΩ)
R1749	7030003640	S.RESISTOR ERJ3GGEYJ 473 V (47 kΩ)
R1750	7030003560	S.RESISTOR ERJ3GGEYJ 103 V (10 kΩ)
R1751	7030003440	S.RESISTOR ERJ3GGEYJ 102 V (1 kΩ)
R1752	7030003760	S.RESISTOR ERJ3GGEYJ 474 V (470 kΩ)
R1753	7030003720	S.RESISTOR ERJ3GGEYJ 224 V (220 kΩ)
R1754	7030003720	S.RESISTOR ERJ3GGEYJ 224 V (220 kΩ)
R1755	7030003440	S.RESISTOR ERJ3GGEYJ 102 V (1 kΩ)
R1756	7030003680	S.RESISTOR ERJ3GGEYJ 104 V (100 kΩ)
R1757	7030003640	S.RESISTOR ERJ3GGEYJ 473 V (47 kΩ)
R1776	7030003440	S.RESISTOR ERJ3GGEYJ 102 V (1 kΩ)
R1777	7030003440	S.RESISTOR ERJ3GGEYJ 102 V (1 kΩ)
R1778	7030003640	S.RESISTOR ERJ3GGEYJ 473 V (47 kΩ)
R1779	7030003800	S.RESISTOR ERJ3GGEYJ 105 V (1 MΩ)
R1780	7030003440	S.RESISTOR ERJ3GGEYJ 102 V (1 kΩ)
R1781	7030003440	S.RESISTOR ERJ3GGEYJ 102 V (1 kΩ)
R1784	7030003640	S.RESISTOR ERJ3GGEYJ 473 V (47 kΩ)
R1785	7030003640	S.RESISTOR ERJ3GGEYJ 473 V (47 kΩ)
R1786	7030006560	S.RESISTOR RR0816P-223-D (22 kΩ)
R1787	7030006560	S.RESISTOR RR0816P-223-D (22 kΩ)
R1788	7030006560	S.RESISTOR RR0816P-223-D (22 kΩ)
R1789	7030006560	S.RESISTOR RR0816P-223-D (22 kΩ)
R1801	7030007660	S.RESISTOR RR0816P-331-D (330 Ω)
R1802	7030006520	S.RESISTOR RR0816P-561-D (560 Ω)
R1803	7030003320	S.RESISTOR ERJ3GGEYJ 101 V (100 Ω)
R1804	7030003320	S.RESISTOR ERJ3GGEYJ 101 V (100 Ω)
R1805	7030003680	S.RESISTOR ERJ3GGEYJ 104 V (100 kΩ)
R1806	7030003320	S.RESISTOR ERJ3GGEYJ 101 V (100 Ω)
R1807	7030003320	S.RESISTOR ERJ3GGEYJ 101 V (100 Ω)
R1808	7030003640	S.RESISTOR ERJ3GGEYJ 473 V (47 kΩ)

[MAIN UNIT]

REF NO.	ORDER NO.	DESCRIPTION
R1809	7030003680	S.RESISTOR ERJ3GGEYJ 104 V (100 kΩ)
R1810	7030003680	S.RESISTOR ERJ3GGEYJ 104 V (100 kΩ)
R1811	7030003400	S.RESISTOR ERJ3GGEYJ 471 V (470 Ω)
R1812	7030003560	S.RESISTOR ERJ3GGEYJ 103 V (10 kΩ)
R1813	7030003620	S.RESISTOR ERJ3GGEYJ 333 V (33 kΩ)
C501	4030006860	S.CERAMIC C1608 JB 1H 102K-T-A
C511	4030011600	S.CERAMIC C1608 JB 1C 104KT-N
C512	4030006930	S.CERAMIC C1608 CH 1H 020C-T-A
C513	4030006880	S.CERAMIC C1608 JB 1H 472K-T-A
C514	4030006880	S.CERAMIC C1608 JB 1H 472K-T-A
C521	4030006880	S.CERAMIC C1608 JB 1H 472K-T-A
C522	4030011600	S.CERAMIC C1608 JB 1C 104KT-N
C523	4030006880	S.CERAMIC C1608 JB 1H 472K-T-A
C524	4030007050	S.CERAMIC C1608 CH 1H 220J-T-A
C525	4030011600	S.CERAMIC C1608 JB 1C 104KT-N
C531	4030006880	S.CERAMIC C1608 JB 1H 472K-T-A
C532	4030006880	S.CERAMIC C1608 JB 1H 472K-T-A
C533	4030006880	S.CERAMIC C1608 JB 1H 472K-T-A
C534	4030006880	S.CERAMIC C1608 JB 1H 472K-T-A
C541	4030006880	S.CERAMIC C1608 JB 1H 472K-T-A
C542	4030006880	S.CERAMIC C1608 JB 1H 472K-T-A
C543	4030011600	S.CERAMIC C1608 JB 1C 104KT-N
C544	4510005810	S.ELECTROLYTIC ECEV1HAR47R
C545	4030011600	S.CERAMIC C1608 JB 1C 104KT-N
C546	4510005810	S.ELECTROLYTIC ECEV1HAR47R
C547	4510004440	S.ELECTROLYTIC ECEV1HA010SR
C548	4030006960	S.CERAMIC C1608 CH 1H 050C-T-A
C571	4030011600	S.CERAMIC C1608 JB 1C 104KT-N
C572	4030011600	S.CERAMIC C1608 JB 1C 104KT-N
C581	4030011600	S.CERAMIC C1608 JB 1C 104KT-N
C582	4030011600	S.CERAMIC C1608 JB 1C 104KT-N
C583	4030007030	S.CERAMIC C1608 CH 1H 150J-T-A
C591	4030011600	S.CERAMIC C1608 JB 1C 104KT-N
C592	4030011600	S.CERAMIC C1608 JB 1C 104KT-N
C601	4030011600	S.CERAMIC C1608 JB 1C 104KT-N
C602	4030011600	S.CERAMIC C1608 JB 1C 104KT-N
C611	4030011600	S.CERAMIC C1608 JB 1C 104KT-N
C612	4030011600	S.CERAMIC C1608 JB 1C 104KT-N
C621	4030006880	S.CERAMIC C1608 JB 1H 472K-T-A
C632	4030011600	S.CERAMIC C1608 JB 1C 104KT-N
C633	4510004630	S.ELECTROLYTIC ECEV1CA100SR
C634	4030011600	S.CERAMIC C1608 JB 1C 104KT-N
C635	4030011600	S.CERAMIC C1608 JB 1C 104KT-N
C636	4510004630	S.ELECTROLYTIC ECEV1CA100SR
C637	4030006880	S.CERAMIC C1608 JB 1H 472K-T-A
C638	4030011600	S.CERAMIC C1608 JB 1C 104KT-N
C639	4510004630	S.ELECTROLYTIC ECEV1CA100SR
C640	4030006880	S.CERAMIC C1608 JB 1H 472K-T-A
C641	4510004630	S.ELECTROLYTIC ECEV1CA100SR
C642	4030006880	S.CERAMIC C1608 JB 1H 472K-T-A
C643	4030011600	S.CERAMIC C1608 JB 1C 104KT-N
C644	4030006880	S.CERAMIC C1608 JB 1H 472K-T-A
C651	4030011600	S.CERAMIC C1608 JB 1C 104KT-N
C652	4030006880	S.CERAMIC C1608 JB 1H 472K-T-A
C653	4030006880	S.CERAMIC C1608 JB 1H 472K-T-A
C654	4030006880	S.CERAMIC C1608 JB 1H 472K-T-A
C661	4510004630	S.ELECTROLYTIC ECEV1CA100SR
C662	4030011600	S.CERAMIC C1608 JB 1C 104KT-N
C663	4030006880	S.CERAMIC C1608 JB 1H 472K-T-A
C664	4510004630	S.ELECTROLYTIC ECEV1CA100SR
C665	4030011600	S.CERAMIC C1608 JB 1C 104KT-N
C666	4510004630	S.ELECTROLYTIC ECEV1CA100SR
C667	4030011600	S.CERAMIC C1608 JB 1C 104KT-N
C668	4030006880	S.CERAMIC C1608 JB 1H 472K-T-A
C669	4510005830	S.ELECTROLYTIC ECEV1HAN010R
C670	4030011600	S.CERAMIC C1608 JB 1C 104KT-N
C671	4030006850	S.CERAMIC C1608 JB 1H 471K-T-A
C672	4030006850	S.CERAMIC C1608 JB 1H 471K-T-A
C681	4030011600	S.CERAMIC C1608 JB 1C 104KT-N
C682	4030006860	S.CERAMIC C1608 JB 1H 472K-T-A
C683	4510005860	S.ELECTROLYTIC ECEV1HA2R2SR
C684	4030011600	S.CERAMIC C1608 JB 1C 104KT-N
C685	4030006880	S.CERAMIC C1608 JB 1H 472K-T-A
C701	4030011600	S.CERAMIC C1608 JB 1C 104KT-N
C702	4030011600	S.CERAMIC C1608 JB 1C 104KT-N
C711	4030011600	S.CERAMIC C1608 JB 1C 104KT-N
C712	4030011600	S.CERAMIC C1608 JB 1C 104KT-N
C721	4030011600	S.CERAMIC C1608 JB 1C 104KT-N
C722	4030011600	S.CERAMIC C1608 JB 1C 104KT-N
C731	4030011600	S.CERAMIC C1608 JB 1C 104KT-N

S.=Surface mount

[MAIN UNIT]

REF NO.	ORDER NO.	DESCRIPTION
C732	4030011600	S.CERAMIC C1608 JB 1C 104KT-N
C741	4030011600	S.CERAMIC C1608 JB 1C 104KT-N
C751	4030006880	S.CERAMIC C1608 JB 1H 472K-T-A
C752	4030006880	S.CERAMIC C1608 JB 1H 472K-T-A
C753	4030011600	S.CERAMIC C1608 JB 1C 104KT-N
C754	4030007050	S.CERAMIC C1608 CH 1H 220J-T-A
C755	4030011600	S.CERAMIC C1608 JB 1C 104KT-N
C756	4030006880	S.CERAMIC C1608 JB 1H 472K-T-A
C761	4030006880	S.CERAMIC C1608 JB 1H 472K-T-A
C762	4030006880	S.CERAMIC C1608 JB 1H 472K-T-A
C763	4030011600	S.CERAMIC C1608 JB 1C 104KT-N
C764	4030007170	S.CERAMIC C1608 CH 1H 221J-T-A
C765	4030011600	S.CERAMIC C1608 JB 1C 104KT-N
C766	4030006880	S.CERAMIC C1608 JB 1H 472K-T-A
C767	4510005860	S.ELECTROLYTIC ECEV1HA2R2SR
C771	4030011600	S.CERAMIC C1608 JB 1C 104KT-N
C772	4030006880	S.CERAMIC C1608 JB 1H 472K-T-A
C773	4030011600	S.CERAMIC C1608 JB 1C 104KT-N
C774	4030007170	S.CERAMIC C1608 CH 1H 221J-T-A
C775	4030007170	S.CERAMIC C1608 CH 1H 221J-T-A
C776	4030006880	S.CERAMIC C1608 JB 1H 472K-T-A
C777	4030011600	S.CERAMIC C1608 JB 1C 104KT-N
C778	4510004630	S.ELECTROLYTIC ECEV1CA100SR
C779	4030007130	S.CERAMIC C1608 CH 1H 101J-T-A
C792	4030011600	S.CERAMIC C1608 JB 1C 104KT-N
C793	4510004630	S.ELECTROLYTIC ECEV1CA100SR
C794	4030011600	S.CERAMIC C1608 JB 1C 104KT-N
C795	4510004630	S.ELECTROLYTIC ECEV1CA100SR
C796	4030006860	S.CERAMIC C1608 JB 1H 102K-T-A
C797	4030011600	S.CERAMIC C1608 JB 1C 104KT-N
C798	4510004630	S.ELECTROLYTIC ECEV1CA100SR
C800	4030006850	S.CERAMIC C1608 JB 1H 471K-T-A
C801	4510004630	S.ELECTROLYTIC ECEV1CA100SR
C811	4030011600	S.CERAMIC C1608 JB 1C 104KT-N
C821	4030006880	S.CERAMIC C1608 JB 1H 472K-T-A
C822	4030006880	S.CERAMIC C1608 JB 1H 472K-T-A
C823	4030006880	S.CERAMIC C1608 JB 1H 472K-T-A
C824	4030011600	S.CERAMIC C1608 JB 1C 104KT-N
C831	4510005810	S.ELECTROLYTIC ECEV1HAR47R
C841	4030006880	S.CERAMIC C1608 JB 1H 472K-T-A
C842	4030007130	S.CERAMIC C1608 CH 1H 101J-T-A
C843	4030011600	S.CERAMIC C1608 JB 1C 104KT-N
C844	4510004630	S.ELECTROLYTIC ECEV1CA100SR
C845	4510004630	S.ELECTROLYTIC ECEV1CA100SR
C846	4510005860	S.ELECTROLYTIC ECEV1HA2R2SR
C847	4510004430	S.ELECTROLYTIC ECEV1CV220WR
C861	4030006880	S.CERAMIC C1608 JB 1H 472K-T-A
C862	4030006880	S.CERAMIC C1608 JB 1H 472K-T-A
C863	4030006880	S.CERAMIC C1608 JB 1H 472K-T-A
C864	4030011600	S.CERAMIC C1608 JB 1C 104KT-N
C865	4030006880	S.CERAMIC C1608 JB 1H 472K-T-A
C866	4030006880	S.CERAMIC C1608 JB 1H 472K-T-A
C867	4030011600	S.CERAMIC C1608 JB 1C 104KT-N
C868	4030007150	S.CERAMIC C1608 CH 1H 151J-T-A
C869	4510004430	S.ELECTROLYTIC ECEV1CV220WR
C870	4030007050	S.CERAMIC C1608 CH 1H 220J-T-A
C871	4510004640	S.ELECTROLYTIC ECEV1CA470SP
C872	4030011600	S.CERAMIC C1608 JB 1C 104KT-N
C873	4510004630	S.ELECTROLYTIC ECEV1CA100SR
C891	4030011600	S.CERAMIC C1608 JB 1C 104KT-N
C892	4510004630	S.ELECTROLYTIC ECEV1CA100SR
C893	4030006880	S.CERAMIC C1608 JB 1H 472K-T-A
C894	4030006880	S.CERAMIC C1608 JB 1H 472K-T-A
C895	4030011600	S.CERAMIC C1608 JB 1C 104KT-N
C896	4510004440	S.ELECTROLYTIC ECEV1HA010SR
C897	4510004440	S.ELECTROLYTIC ECEV1HA010SR
C898	4030006900	S.CERAMIC C1608 JB 1E 103K-T-A
C899	4510004440	S.ELECTROLYTIC ECEV1HA010SR
C900	4030006880	S.CERAMIC C1608 JB 1H 472K-T-A
C901	4030007110	S.CERAMIC C1608 CH 1H 680J-T-A
C902	4030007100	S.CERAMIC C1608 CH 1H 560J-T-A
C903	4610002070	S.TRIMMER CTZ3S-30C-W1-P-A
C904	4030007150	S.CERAMIC C1608 CH 1H 151J-T-A
C905	4030007150	S.CERAMIC C1608 CH 1H 151J-T-A
C906	4030007150	S.CERAMIC C1608 CH 1H 151J-T-A
C907	4030006880	S.CERAMIC C1608 JB 1H 472K-T-A
C908	4030007030	S.CERAMIC C1608 CH 1H 150J-T-A
C909	4030006880	S.CERAMIC C1608 JB 1H 472K-T-A
C910	4030006880	S.CERAMIC C1608 JB 1H 472K-T-A
C911	4510004630	S.ELECTROLYTIC ECEV1CA100SR
C912	4030011600	S.CERAMIC C1608 JB 1C 104KT-N
C931	4030011600	S.CERAMIC C1608 JB 1C 104KT-N

[MAIN UNIT]

REF NO.	ORDER NO.	DESCRIPTION
C932	4030006900	S.CERAMIC C1608 JB 1E 103K-T-A
C933	4030006900	S.CERAMIC C1608 JB 1E 103K-T-A
C941	4030007130	S.CERAMIC C1608 CH 1H 101J-T-A
C951	4510004630	S.ELECTROLYTIC ECEV1CA100SR
C961	4510004630	S.ELECTROLYTIC ECEV1CA100SR
C971	4030006880	S.CERAMIC C1608 JB 1H 472K-T-A
C981	4030006860	S.CERAMIC C1608 JB 1H 102K-T-A
C982	4510004440	S.ELECTROLYTIC ECEV1HA010SR
C984	4510005830	S.ELECTROLYTIC ECEV1HAN010R
C1033	4030006900	S.CERAMIC C1608 JB 1E 103K-T-A
C1034	4030006900	S.CERAMIC C1608 JB 1E 103K-T-A
C1041	4510004630	S.ELECTROLYTIC ECEV1CA100SR
C1042	4510004630	S.ELECTROLYTIC ECEV1CA100SR
C1051	4510004630	S.ELECTROLYTIC ECEV1CA100SR
C1052	4030011600	S.CERAMIC C1608 JB 1C 104KT-N
C1053	4510004630	S.ELECTROLYTIC ECEV1CA100SR
C1054	4510004440	S.ELECTROLYTIC ECEV1HA010SR
C1055	4030011600	S.CERAMIC C1608 JB 1C 104KT-N
C1061	4510005860	S.ELECTROLYTIC ECEV1HA2R2SR
C1062	4030010020	S.CERAMIC C1608 JB 1H 122K-T-A
C1063	4510004440	S.ELECTROLYTIC ECEV1HA010SR
C1064	4510004630	S.ELECTROLYTIC ECEV1CA100SR
C1065	4510004630	S.ELECTROLYTIC ECEV1CA100SR
C1066	4510004630	S.ELECTROLYTIC ECEV1CA100SR
C1067	4510005830	S.ELECTROLYTIC ECEV1HAN010R
C1068	4510004630	S.ELECTROLYTIC ECEV1CA100SR
C1069	4510004440	S.ELECTROLYTIC ECEV1HA010SR
C1081	4510004440	S.ELECTROLYTIC ECEV1HA010SR
C1082	4510004630	S.ELECTROLYTIC ECEV1CA100SR
C1083	4510004440	S.ELECTROLYTIC ECEV1HA010SR
C1084	4030011600	S.CERAMIC C1608 JB 1C 104KT-N
C1085	4510004630	S.ELECTROLYTIC ECEV1CA100SR
C1086	4510005830	S.ELECTROLYTIC ECEV1HAN010R
C1087	4510004630	S.ELECTROLYTIC ECEV1CA100SR
C1088	4510004630	S.ELECTROLYTIC ECEV1CA100SR
C1089	4510004630	S.ELECTROLYTIC ECEV1CA100SR
C1090	4510004630	S.ELECTROLYTIC ECEV1CA100SR
C1091	4510004630	S.ELECTROLYTIC ECEV1CA100SR
C1092	4030006850	S.CERAMIC C1608 JB 1H 471K-T-A
C1101	4510004590	ELECTROLYTIC 16 MV 470 HC
C1102	4510006220	S.ELECTROLYTIC ECEV1CA101UP
C1103	4510004630	S.ELECTROLYTIC ECEV1CA100SR
C1104	4030006880	S.CERAMIC C1608 JB 1H 472K-T-A
C1105	4030011600	S.CERAMIC C1608 JB 1C 104KT-N
C1106	4510004590	ELECTROLYTIC 16 MV 470 HC
C1107	4510004590	ELECTROLYTIC 16 MV 470 HC
C1108	4030008920	S.CERAMIC C1608 JB 1C 473K-T-A
C1111	4030006880	S.CERAMIC C1608 JB 1H 472K-T-A
C1112	4030006880	S.CERAMIC C1608 JB 1H 472K-T-A
C1113	4030006880	S.CERAMIC C1608 JB 1H 472K-T-A
C1121	4030006850	S.CERAMIC C1608 JB 1H 471K-T-A
C1124	4030007130	S.CERAMIC C1608 CH 1H 101J-T-A
C1125	4030011600	S.CERAMIC C1608 JB 1C 104KT-N
C1126	4030006850	S.CERAMIC C1608 JB 1H 471K-T-A
C1127	4030008920	S.CERAMIC C1608 JB 1C 473K-T-A
C1128	4030006850	S.CERAMIC C1608 JB 1H 471K-T-A
C1129	4510005830	S.ELECTROLYTIC ECEV1HAN010R
C1130	4030006880	S.CERAMIC C1608 JB 1H 472K-T-A
C1131	4510005860	S.ELECTROLYTIC ECEV1HA2R2SR
C1132	4030011600	S.CERAMIC C1608 JB 1C 104KT-N
C1133	4510004640	S.ELECTROLYTIC ECEV1CA470SP
C1134	4510004630	S.ELECTROLYTIC ECEV1CA100SR
C1135	4030008910	S.CERAMIC C1608 JB 1C 393K-T-A
C1136	4510005830	S.ELECTROLYTIC ECEV1HAN010R
C1137	4030011600	S.CERAMIC C1608 JB 1C 104KT-N
C1138	4030011600	S.CERAMIC C1608 JB 1C 104KT-N
C1139	4030011600	S.CERAMIC C1608 JB 1C 104KT-N
C1140	4510005860	S.ELECTROLYTIC ECEV1HA2R2SR
C1141	4510004630	S.ELECTROLYTIC ECEV1CA100SR
C1142	4510004630	S.ELECTROLYTIC ECEV1CA100SR
C1143	4510004440	S.ELECTROLYTIC ECEV1HA010SR
C1144	4030011600	S.CERAMIC C1608 JB 1C 104KT-N
C1161	4030011600	S.CERAMIC C1608 JB 1C 104KT-N
C1162	4030011600	S.CERAMIC C1608 JB 1C 104KT-N
C1163	4030011600	S.CERAMIC C1608 JB 1C 104KT-N
C1164	4510004630	S.ELECTROLYTIC ECEV1CA100SR
C1165	4030011600	S.CERAMIC C1608 JB 1C 104KT-N
C1166	4030006860	S.CERAMIC C1608 JB 1H 102K-T-A
C1167	4030006870	S.CERAMIC C1608 JB 1H 222K-T-A
C1168	4030007140	S.CERAMIC C1608 CH 1H 121J-T-A
C1191	4510004630	S.ELECTROLYTIC ECEV1CA100SR
C1192	4510004630	S.ELECTROLYTIC ECEV1CA100SR

S.=Surface mount

[MAIN UNIT]

REF NO.	ORDER NO.	DESCRIPTION	
C1743	4030006880	S.CERAMIC	C1608 JB 1H 472K-T-A
C1744	4030006880	S.CERAMIC	C1608 JB 1H 472K-T-A
C1745	4030006880	S.CERAMIC	C1608 JB 1H 472K-T-A
C1746	4030006880	S.CERAMIC	C1608 JB 1H 472K-T-A
C1747	4030006880	S.CERAMIC	C1608 JB 1H 472K-T-A
C1748	4030006880	S.CERAMIC	C1608 JB 1H 472K-T-A
C1749	4030006880	S.CERAMIC	C1608 JB 1H 472K-T-A
C1750	4030006880	S.CERAMIC	C1608 JB 1H 472K-T-A
C1751	4030006880	S.CERAMIC	C1608 JB 1H 472K-T-A
C1752	4030006880	S.CERAMIC	C1608 JB 1H 472K-T-A
C1753	4030006880	S.CERAMIC	C1608 JB 1H 472K-T-A
C1754	4510004590	ELECTROLYTIC	16 MV 470 HC
C1790	4030011600	S.CERAMIC	C1608 JB 1C 104KT-N
C1791	4510004440	S.ELECTROLYTIC	ECEV1HA010SR
C1801	4030011600	S.CERAMIC	C1608 JB 1C 104KT-N
C1802	4030007130	S.CERAMIC	C1608 CH 1H 101J-T-A
C1803	4030007130	S.CERAMIC	C1608 CH 1H 101J-T-A
C1804	4030007130	S.CERAMIC	C1608 CH 1H 101J-T-A
C1805	4030011600	S.CERAMIC	C1608 JB 1C 104KT-N
C1806	4030006860	S.CERAMIC	C1608 JB 1H 102K-T-A
C1807	4030010040	S.CERAMIC	C1608 JB 1H 561K-T-A
C1808	4030007130	S.CERAMIC	C1608 CH 1H 101J-T-A
C1809	4030007130	S.CERAMIC	C1608 CH 1H 101J-T-A
C1810	4030007130	S.CERAMIC	C1608 CH 1H 101J-T-A
C1811	4030007130	S.CERAMIC	C1608 CH 1H 101J-T-A
C1812	4030007130	S.CERAMIC	C1608 CH 1H 101J-T-A
C1813	4030007130	S.CERAMIC	C1608 CH 1H 101J-T-A
C1814	4030007130	S.CERAMIC	C1608 CH 1H 101J-T-A
C1815	4030007130	S.CERAMIC	C1608 CH 1H 101J-T-A
C1818	4030011600	S.CERAMIC	C1608 JB 1C 104KT-N
C1819	4030011600	S.CERAMIC	C1608 JB 1C 104KT-N
C1820	4030011600	S.CERAMIC	C1608 JB 1C 104KT-N
C1821	4030007130	S.CERAMIC	C1608 CH 1H 101J-T-A
C1822	4030011600	S.CERAMIC	C1608 JB 1C 104KT-N
C1823	4030007130	S.CERAMIC	C1608 CH 1H 101J-T-A
C1825	4030007130	S.CERAMIC	C1608 CH 1H 101J-T-A
C1826	4030007130	S.CERAMIC	C1608 CH 1H 101J-T-A
C1827	4030007130	S.CERAMIC	C1608 CH 1H 101J-T-A
C1828	4030007130	S.CERAMIC	C1608 CH 1H 101J-T-A
C1829	4030007130	S.CERAMIC	C1608 CH 1H 101J-T-A
C1830	4030006870	S.CERAMIC	C1608 JB 1H 222K-T-A
C1831	4030006880	S.CERAMIC	C1608 JB 1H 472K-T-A
C1832	4510005810	S.ELECTROLYTIC	ECEV1HAR47R
C2001	4030006880	S.CERAMIC	C1608 JB 1H 472K-T-A
C2002	4030006880	S.CERAMIC	C1608 JB 1H 472K-T-A
C2003	4030006880	S.CERAMIC	C1608 JB 1H 472K-T-A
C2004	4030006880	S.CERAMIC	C1608 JB 1H 472K-T-A
C2005	4030006880	S.CERAMIC	C1608 JB 1H 472K-T-A
C2006	4030006880	S.CERAMIC	C1608 JB 1H 472K-T-A
C2007	4030006880	S.CERAMIC	C1608 JB 1H 472K-T-A
C2008	4030006880	S.CERAMIC	C1608 JB 1H 472K-T-A
C2009	4030006880	S.CERAMIC	C1608 JB 1H 472K-T-A
C2010	4030006880	S.CERAMIC	C1608 JB 1H 472K-T-A
C2011	4030006880	S.CERAMIC	C1608 JB 1H 472K-T-A
C2012	4030006880	S.CERAMIC	C1608 JB 1H 472K-T-A
C2013	4030006880	S.CERAMIC	C1608 JB 1H 472K-T-A
C2014	4030006880	S.CERAMIC	C1608 JB 1H 472K-T-A
C2015	4030006880	S.CERAMIC	C1608 JB 1H 472K-T-A
C2016	4030007170	S.CERAMIC	C1608 CH 1H 221J-T-A
C2017	4030007170	S.CERAMIC	C1608 CH 1H 221J-T-A
C2018	4030006880	S.CERAMIC	C1608 JB 1H 472K-T-A
RL1111	6330001320	RELAY	AHY103
RL1271	6330000540	RELAY	OMR-109F
RL1291	6330001320	RELAY	AHY103
J501	6510007020	CONNECTOR	TMP-J01X-V6
J502	6510019990	S.CONNECTOR	52808-2290
J591	6450001560	CONNECTOR	PD-72
J592	6450001560	CONNECTOR	PD-72
J593	6450001560	CONNECTOR	PD-72
J594	6450001560	CONNECTOR	PD-72
J601	6450001560	CONNECTOR	PD-72
J602	6450001560	CONNECTOR	PD-72
J603	6450001560	CONNECTOR	PD-72
J604	6450001560	CONNECTOR	PD-72
J731	6450001560	CONNECTOR	PD-72
J732	6450001560	CONNECTOR	PD-72
J733	6450001560	CONNECTOR	PD-72
J734	6450001560	CONNECTOR	PD-72

[MAIN UNIT]

REF NO.	ORDER NO.	DESCRIPTION	
J921	6510007020	CONNECTOR	TMP-J01X-V6
J1031	6510007020	CONNECTOR	TMP-J01X-V6
J1111	6450000140	CONNECTOR	HSJ0807-01-010
J1112	6510018960	S.CONNECTOR	B2B-PH-SM3-TB
J1241	6510018970	S.CONNECTOR	B4B-PH-SM3-TB
J1261	6450000140	CONNECTOR	HSJ0807-01-010
J1271	6450001130	CONNECTOR	JPJ2042-01-110
J1311	6450000160	CONNECTOR	TCS4470-01-1111
J1312	6450000170	CONNECTOR	TCS4480-01-1111
J1331	6510020000	S.CONNECTOR	52808-3090
J1332	6510019990	S.CONNECTOR	52808-2290
J1333	6510019990	S.CONNECTOR	52808-2290
J1334	6510019990	S.CONNECTOR	52808-2290
J1701	6510019190	S.CONNECTOR	52365-0891
J1702	6510018950	S.CONNECTOR	B7B-PH-SM3-TB
W1	7030003860	S.JUMPER	ERJ3GE JPW V
W661	7030003860	S.JUMPER	ERJ3GE JPW V
W1261	7030003860	S.JUMPER	ERJ3GE JPW V
W1592	7030003860	S.JUMPER	ERJ3GE JPW V
W1701	7030003860	S.JUMPER	ERJ3GE JPW V
W1702	7030003860	S.JUMPER	ERJ3GE JPW V
W1703	7030003860	S.JUMPER	ERJ3GE JPW V
W1705	7030003860	S.JUMPER	ERJ3GE JPW V
EP1	0910049437	PCB	B 5083G

[RF UNIT]

REF NO.	ORDER NO.	DESCRIPTION	
IC151	1110001890	S.IC	µPC1678G-E2
IC161	1110004100	S.IC	TA4001F (TE85L)
IC191	1110003970	S.IC	µPC1658G-E1
IC321	1130007510	S.IC	BU4094BCFV-E1
IC322	1130007510	S.IC	BU4094BCFV-E1
IC323	1160000130	S.IC	TD62783AF (TP1)
IC324	1160000130	S.IC	TD62783AF (TP1)
IC1001	1130007510	S.IC	BU4094BCFV-E1
IC1051	1180000420	S.IC	TA78L05F (TE12R)
IC1081	1130006440	S.IC	TC7S08F (TE85R)
IC1101	1140003641	S.IC	SC-1246
IC1102	1130006440	S.IC	TC7S08F (TE85R)
IC1601	1140004550	S.IC	M65343FP/SC1287
IC1701	1140004550	S.IC	M65343FP/SC1287
IC1801	1110004320	S.IC	MC145170DR2
IC1802	1110001890	S.IC	µPC1678G-E2
Q1	1590002310	S.TRANSISTOR	DTC114EE TL
Q2	1590002310	S.TRANSISTOR	DTC114EE TL
Q121	1590002310	S.TRANSISTOR	DTC114EE TL
Q122	1590002310	S.TRANSISTOR	DTC114EE TL
Q123	1580000630	S.FET	3SK228XR-TL
Q181	1560000720	S.FET	2SK2171-4-TD
Q182	1560000720	S.FET	2SK2171-4-TD
Q211	1560000640	S.FET	2SK1740-TA
Q212	1560000640	S.FET	2SK1740-TA
Q241	1580000620	S.FET	3SK131-T2 MAS
Q242	1590001870	S.TRANSISTOR	DTA114EE TL
Q243	1590002310	S.TRANSISTOR	DTC114EE TL
Q271	1560000560	S.FET	2SK882-GR (TE85L)
Q301	1530003150	S.TRANSISTOR	2SC4673D-TD
Q302	1590001870	S.TRANSISTOR	DTA114EE TL
Q303	1590002310	S.TRANSISTOR	DTC114EE TL
Q321	1590001870	S.TRANSISTOR	DTA114EE TL
Q322	1590002310	S.TRANSISTOR	DTC114EE TL
Q323	1590002310	S.TRANSISTOR	DTC114EE TL
Q324	1590002310	S.TRANSISTOR	DTC114EE TL
Q325	1590002310	S.TRANSISTOR	DTC114EE TL
Q328	1590002310	S.TRANSISTOR	DTC114EE TL
Q1001	1530002060	S.TRANSISTOR	2SC4081 T107 R
Q1003	1590002420	S.TRANSISTOR	UMD3N TL
Q1051	1530002060	S.TRANSISTOR	2SC4081 T107 R
Q1071	1560000560	S.FET	2SK882-GR (TE85L)
Q1101	1530002060	S.TRANSISTOR	2SC4081 T107 R

S.=Surface mount

[RF UNIT]

REF NO.	ORDER NO.	DESCRIPTION
Q1102	1530002060	S.TRANSISTOR 2SC4081 T107 R
Q1103	1530002060	S.TRANSISTOR 2SC4081 T107 R
Q1201	1560000490	S.FET 2SK508 K52 T2B
Q1202	1530003090	S.TRANSISTOR 2SC4213-B (TE85R)
Q1221	1560000490	S.FET 2SK508 K52 T2B
Q1222	1530003090	S.TRANSISTOR 2SC4213-B (TE85R)
Q1241	1560000490	S.FET 2SK508 K52 T2B
Q1242	1530003090	S.TRANSISTOR 2SC4213-B (TE85R)
Q1261	1560000490	S.FET 2SK508 K52 T2B
Q1262	1530003090	S.TRANSISTOR 2SC4213-B (TE85R)
Q1281	1530002570	S.TRANSISTOR 2SC4405-3-TL
Q1301	1560000330	S.FET 2SK210-GR (TE85R)
Q1302	1530002060	S.TRANSISTOR 2SC4081 T107 R
Q1401	1530002920	S.TRANSISTOR 2SC4226-T2 R25
Q1402	1590001870	S.TRANSISTOR DTA114EE TL
Q1521	1590002420	S.TRANSISTOR UMD3N TL
Q1561	1590002420	S.TRANSISTOR UMD3N TL
Q1581	1590002420	S.TRANSISTOR UMD3N TL
Q1601	1530002060	S.TRANSISTOR 2SC4081 T107 R
Q1701	1530002060	S.TRANSISTOR 2SC4081 T107 R
Q1801	1590002420	S.TRANSISTOR UMD3N TL
Q1901	1530002560	S.TRANSISTOR 2SC4403-3-TL
Q1902	1530002060	S.TRANSISTOR 2SC4081 T107 R
Q1903	1530002060	S.TRANSISTOR 2SC4081 T107 R
Q1904	1530002560	S.TRANSISTOR 2SC4403-3-TL
D1	1750000300	S.DIODE 1SS302 (TE85R)
D2	1750000300	S.DIODE 1SS302 (TE85R)
D3	1750000450	S.DIODE 1SV265-TL
D11	1790000620	S.DIODE MA77(TX)
D31	1750000450	S.DIODE 1SV265-TL
D32	1790000450	S.DIODE MA862(TX)
D51	1750000450	S.DIODE 1SV265-TL
D52	1790000450	S.DIODE MA862(TX)
D71	1750000450	S.DIODE 1SV265-TL
D72	1790000450	S.DIODE MA862(TX)
D91	1750000450	S.DIODE 1SV265-TL
D92	1790000450	S.DIODE MA862(TX)
D111	1750000450	S.DIODE 1SV265-TL
D112	1790000450	S.DIODE MA862(TX)
D121	1750000300	S.DIODE 1SS302 (TE85R)
D122	1750000300	S.DIODE 1SS302 (TE85R)
D123	1790000450	S.DIODE MA862(TX)
D124	1720000390	S.VARICAP KV1470TL
D125	1790000620	S.DIODE MA77(TX)
D126	1720000540	S.VARICAP HVM17-01TR
D127	1720000390	S.VARICAP KV1470TL
D128	1790000620	S.DIODE MA77(TX)
D129	1720000540	S.VARICAP HVM17-01TR
D130	1790000620	S.DIODE MA77(TX)
D131	1790000620	S.DIODE MA77(TX)
D132	1790000620	S.DIODE MA77(TX)
D151	1750000440	S.DIODE 1SV263-TL
D171	1790000450	S.DIODE MA862(TX)
D181	1790000450	S.DIODE MA862(TX)
D182	1790000450	S.DIODE MA862(TX)
D201	1790000620	S.DIODE MA77(TX)
D211	1790000620	S.DIODE MA77(TX)
D251	1790000450	S.DIODE MA862(TX)
D261	1750000430	S.DIODE HSB88WSTR
D271	1750000430	S.DIODE HSB88WSTR
D281	1790000620	S.DIODE MA77(TX)
D301	1790000450	S.DIODE MA862(TX)
D302	1790000450	S.DIODE MA862(TX)
D303	1790000450	S.DIODE MA862(TX)
D304	1750000520	S.DIODE DAN222TL
D321	1750000520	S.DIODE DAN222TL
D322	1750000520	S.DIODE DAN222TL
D323	1750000520	S.DIODE DAN222TL
D324	1750000520	S.DIODE DAN222TL
D1001	1750000520	S.DIODE DAN222TL
D1003	1750000520	S.DIODE DAN222TL
D1004	1750000520	S.DIODE DAN222TL
D1201	1790000540	S.VARICAP MA338(TX)
D1221	1790000540	S.VARICAP MA338(TX)
D1241	1720000390	S.VARICAP KV1470TL
D1261	1720000390	S.VARICAP KV1470TL
D1301	1720000590	S.VARICAP MA357(TX)
D1302	1790000490	S.DIODE HSM88AS-TR
D1303	1790000490	S.DIODE HSM88AS-TR
D1401	1750000230	S.DIODE 1SS315 TPH-3

[RF UNIT]

REF NO.	ORDER NO.	DESCRIPTION
D1402	1790000620	S.DIODE MA77(TX)
D1403	1750000230	S.DIODE 1SS315 TPH-3
D1502	1750000210	S.DIODE 1SV237 (TE85R)
D1503	1790000620	S.DIODE MA77(TX)
D1504	1750000210	S.DIODE 1SV237 (TE85R)
D1505	1750000520	S.DIODE DAN222TL
D1801	1790000620	S.DIODE MA77(TX)
D1901	1720000590	S.VARICAP MA357(TX)
FI231	2010001010	FILTER 69M15B (FL-120)
FI1101	2020001420	S.CERAMIC SFECA10.7MA5-D
X1901	6050005711	CRYSTAL CR-275A (30.0000 MHz)
L1	6200003240	S.COIL NL 322522T-221J
L2	6200003240	S.COIL NL 322522T-221J
L3	6200000510	S.COIL MLF3216E 5R6M-T
L4	6200000500	S.COIL MLF3216A 4R7M-T
L5	6200003260	S.COIL NL 322522T-101J
L11	6200002960	S.COIL NL 322522T-4R7J-3
L12	6200003110	S.COIL NL 322522T-6R8J
L13	6200003240	S.COIL NL 322522T-221J
L21	6200003240	S.COIL NL 322522T-221J
L22	6200003090	S.COIL NL 322522T-2R7J-3
L23	6200003100	S.COIL NL 322522T-3R9J-3
L24	6200003240	S.COIL NL 322522T-221J
L31	6200003260	S.COIL NL 322522T-101J
L32	6200002990	S.COIL NL 322522T-2R2J-3
L33	6200002990	S.COIL NL 322522T-2R2J-3
L34	6200003320	S.COIL NL 322522T-3R3J-3
L35	6200002960	S.COIL NL 322522T-4R7J-3
L41	6200003260	S.COIL NL 322522T-101J
L42	6200003080	S.COIL NL 322522T-1R8J-3
L43	6200003060	S.COIL NL 322522T-1R2J-3
L44	6200003070	S.COIL NL 322522T-1R5J-3
L45	6200003070	S.COIL NL 322522T-1R5J-3
L51	6200003260	S.COIL NL 322522T-101J
L52	6200003060	S.COIL NL 322522T-1R2J-3
L53	6200003330	S.COIL NL 322522T-1R0J-3
L54	6200003330	S.COIL NL 322522T-1R0J-3
L55	6200003080	S.COIL NL 322522T-1R8J-3
L61	6200003260	S.COIL NL 322522T-101J
L62	6200003250	S.COIL NL 322522T-R39J-3
L63	6200002980	S.COIL NL 322522T-R56J-3
L64	6200003040	S.COIL NL 322522T-R68J-3
L65	6200003330	S.COIL NL 322522T-1R0J-3
L71	6200001830	S.COIL NL 322522T-100J
L72	6200003020	S.COIL NL 322522T-R33J-3
L73	6200003250	S.COIL NL 322522T-R39J-3
L74	6200003030	S.COIL NL 322522T-R47J-3
L75	6200003030	S.COIL NL 322522T-R47J-3
L81	6200001830	S.COIL NL 322522T-100J
L82	6200003020	S.COIL NL 322522T-R33J-3
L83	6200003010	S.COIL NL 322522T-R27J-3
L84	6200003020	S.COIL NL 322522T-R33J-3
L85	6200003030	S.COIL NL 322522T-R47J-3
L91	6200001830	S.COIL NL 322522T-100J
L92	6200003420	S.COIL NL 322522T-R15J-3
L93	6200003420	S.COIL NL 322522T-R15J-3
L94	6200003420	S.COIL NL 322522T-R15J-3
L95	6200003420	S.COIL NL 322522T-R15J-3
L96	6200001470	S.COIL NL 322522T-R12J-3
L101	6200001830	S.COIL NL 322522T-100J
L102	6200003420	S.COIL NL 322522T-R15J-3
L103	6200003020	S.COIL NL 322522T-R33J-3
L104	6200001830	S.COIL NL 322522T-100J
L112	6180002960	S.COIL NL 322522T-R18J-3
L113	6180002960	S.COIL NL 322522T-R18J-3
L114	6180002960	S.COIL NL 322522T-R18J-3
L115	6200003330	S.COIL NL 322522T-1R0J-3
L121	6200003440	S.COIL ELJNC 39NK-F
L122	6200004740	S.COIL NL 252018T-1R2J
L123	6150002810	COIL LS-291
L124	6200004740	S.COIL NL 252018T-1R2J
L125	6150002810	COIL LS-291
L126	6200001830	S.COIL NL 322522T-100J
L127	6200004740	S.COIL NL 252018T-1R2J
L128	6200002150	S.COIL ELJNC 56NK-F
L129	6200004740	S.COIL NL 252018T-1R2J

S.=Surface mount

[RF UNIT]

REF NO.	ORDER NO.		DESCRIPTION
L141	6200003240	S.COIL	NL 322522T-221J
L151	6200003240	S.COIL	NL 322522T-221J
L152	6200001710	S.COIL	NL 322522T-220J
L171	6200003240	S.COIL	NL 322522T-221J
L172	6200003260	S.COIL	NL 322522T-101J
L181	6140000640	COIL	LR-86
L182	6200002990	S.COIL	NL 322522T-2R2J-3
L183	6140001540	COIL	LR-169
L184	6200003260	S.COIL	NL 322522T-101J
L191	6200003260	S.COIL	NL 322522T-101J
L192	6200003260	S.COIL	NL 322522T-101J
L211	6200003430	S.COIL	NL 322522T-R10J
L212	6200003420	S.COIL	NL 322522T-R15J-3
L213	6140000930	COIL	LR-116
L214	6200003430	S.COIL	NL 322522T-R10J
L215	6150001770	COIL	LS-198
L216	6200001830	S.COIL	NL 322522T-100J
L231	6150004280	COIL	LS-484B (C-14927)
L232	6150004280	COIL	LS-484B (C-14927)
L241	6150004280	COIL	LS-484B (C-14927)
L251	6150004280	COIL	LS-484B (C-14927)
L252	6150004280	COIL	LS-484B (C-14927)
L261	6140002810	S.COIL	LR-317
L262	6140002810	S.COIL	LR-317
L263	6200003040	S.COIL	NL 322522T-R68J-3
L271	6200003050	S.COIL	NL 322522T-R82J-3
L272	6150000991	COIL	LS-424
L285	6180002970	S.COIL	NL 322522T-068J
L286	6180002980	S.COIL	NL 322522T-056J
L289	6140003210	S.COIL	LR-358
L290	6140003210	S.COIL	LR-358
L301	6200003000	S.COIL	NL 322522T-R22J-3
L302	6200003020	S.COIL	NL 322522T-R33J-3
L303	6200001830	S.COIL	NL 322522T-100J
L304	6200001760	S.COIL	ELJNC 22NK-F
L305	6200002580	S.COIL	NL 252018T-033J
L306	6200001630	S.COIL	ELJNC R10K-F
L307	6200002640	S.COIL	NL 252018T-R15J
L401	6200003260	S.COIL	NL 322522T-101J
L1051	6200001830	S.COIL	NL 322522T-100J
L1101	6200001830	S.COIL	NL 322522T-100J
L1201	6170000230	COIL	LW-25
L1202	6190001340	COIL	E523GN-4210244
L1203	6170000230	COIL	LW-25
L1204	6200005010	S.COIL	NL 252018T-100J
L1221	6170000230	COIL	LW-25
L1222	6190001340	COIL	E523GN-4210244
L1223	6170000230	COIL	LW-25
L1224	6200005010	S.COIL	NL 252018T-100J
L1241	6170000230	COIL	LW-25
L1242	6190001330	COIL	E523GN-3130153
L1243	6170000230	COIL	LW-25
L1244	6200005010	S.COIL	NL 252018T-100J
L1261	6170000230	COIL	LW-25
L1262	6190001330	COIL	E523GN-3130153
L1263	6170000230	COIL	LW-25
L1264	6200005010	S.COIL	NL 252018T-100J
L1281	6200001830	S.COIL	NL 322522T-100J
L1291	6200004590	S.COIL	MLF1608D R18K-T
L1301	6130001850	COIL	LB-185
L1302	6200001830	S.COIL	NL 322522T-100J
L1401	6200002960	S.COIL	NL 322522T-4R7J-3
L1402	6140002810	S.COIL	LR-317
L1403	6200003040	S.COIL	NL 322522T-R68J-3
L1406	6200003040	S.COIL	NL 322522T-R68J-3
L1408	6200003260	S.COIL	NL 322522T-101J
L1410	6200003440	S.COIL	ELJNC 39NK-F
L1412	6200004590	S.COIL	MLF1608D R18K-T
L1521	6200002150	S.COIL	ELJNC 56NK-F
L1522	6200001940	S.COIL	ELJNC 27NK-F
L1523	6200001760	S.COIL	ELJNC 22NK-F
L1530	6200003440	S.COIL	ELJNC 39NK-F
L1561	6200001630	S.COIL	ELJNC R10K-F
L1562	6200001630	S.COIL	ELJNC R10K-F
L1563	6200001630	S.COIL	ELJNC R10K-F
L1581	6200002150	S.COIL	ELJNC 56NK-F
L1582	6200002160	S.COIL	ELJNC 82NK-F
L1583	6200002160	S.COIL	ELJNC 82NK-F
L1601	6200001830	S.COIL	NL 322522T-100J
L1602	6200001830	S.COIL	NL 322522T-100J
L1603	6200003140	S.COIL	NL 322522T-150J
L1605	6200003170	S.COIL	NL 322522T-330J

[RF UNIT]

REF NO.	ORDER NO.		DESCRIPTION
L1701	6200001830	S.COIL	NL 322522T-100J
L1702	6200001830	S.COIL	NL 322522T-100J
L1703	6200003140	S.COIL	NL 322522T-150J
L1801	6200003020	S.COIL	NL 322522T-R33J-3
L1802	6200001770	S.COIL	ELJNC 47NK-F
L1804	6140002220	COIL	LR-270
L1805	6200003260	S.COIL	NL 322522T-101J
L1806	6200004770	S.COIL	ELJNC R56J-F
L1901	6130001100	COIL	LB-146
L1902	6150004520	S.COIL	LS-508
L1903	6150004830	S.COIL	LS-509
L1904	6150004830	S.COIL	LS-509
L1905	6200001830	S.COIL	NL 322522T-100J
L1908	6200003590	S.COIL	EXCCL3225U1
R1	7030003390	S.RESISTOR	ERJ3GEYJ 391 V (390 Ω)
R2	7030003290	S.RESISTOR	ERJ3GEYJ 560 V (56 Ω)
R3	7030003200	S.RESISTOR	ERJ3GEYJ 100 V (10 Ω)
R4	7030006260	S.RESISTOR	ERJ12YJ471H (470 Ω)
R5	7030003520	S.RESISTOR	ERJ3GEYJ 472 V (4.7 kΩ)
R6	7030006260	S.RESISTOR	ERJ12YJ471H (470 Ω)
R11	7030003320	S.RESISTOR	ERJ3GEYJ 101 V (100 Ω)
R12	7030003310	S.RESISTOR	ERJ3GEYJ 820 V (82 Ω)
R13	7030003320	S.RESISTOR	ERJ3GEYJ 101 V (100 Ω)
R14	7030003320	S.RESISTOR	ERJ3GEYJ 101 V (100 Ω)
R21	7030003320	S.RESISTOR	ERJ3GEYJ 101 V (100 Ω)
R31	7030003320	S.RESISTOR	ERJ3GEYJ 101 V (100 Ω)
R41	7030003320	S.RESISTOR	ERJ3GEYJ 101 V (100 Ω)
R51	7030003320	S.RESISTOR	ERJ3GEYJ 101 V (100 Ω)
R61	7030003320	S.RESISTOR	ERJ3GEYJ 101 V (100 Ω)
R71	7030003320	S.RESISTOR	ERJ3GEYJ 101 V (100 Ω)
R81	7030003320	S.RESISTOR	ERJ3GEYJ 101 V (100 Ω)
R91	7030003320	S.RESISTOR	ERJ3GEYJ 101 V (100 Ω)
R101	7030003320	S.RESISTOR	ERJ3GEYJ 101 V (100 Ω)
R111	7030003320	S.RESISTOR	ERJ3GEYJ 101 V (100 Ω)
R112	7030003220	S.RESISTOR	ERJ3GEYJ 150 V (15 Ω)
R113	7030005390	S.RESISTOR	RR0816P-102-D (1 kΩ)
R121	7030006260	S.RESISTOR	ERJ12YJ471H (470 Ω)
R122	7030003380	S.RESISTOR	ERJ3GEYJ 331 V (330 Ω)
R123	7030003280	S.RESISTOR	ERJ3GEYJ 470 V (47 Ω)
R124	7030006260	S.RESISTOR	ERJ12YJ471H (470 Ω)
R125	7030003680	S.RESISTOR	ERJ3GEYJ 104 V (100 kΩ)
R126	7030003680	S.RESISTOR	ERJ3GEYJ 104 V (100 kΩ)
R127	7030003560	S.RESISTOR	ERJ3GEYJ 103 V (10 kΩ)
R128	7030003680	S.RESISTOR	ERJ3GEYJ 104 V (100 kΩ)
R129	7030003670	S.RESISTOR	ERJ3GEYJ 823 V (82 kΩ)
R130	7030003680	S.RESISTOR	ERJ3GEYJ 104 V (100 kΩ)
R131	7030003320	S.RESISTOR	ERJ3GEYJ 101 V (100 Ω)
R132	7030003280	S.RESISTOR	ERJ3GEYJ 470 V (47 Ω)
R133	7030003680	S.RESISTOR	ERJ3GEYJ 104 V (100 kΩ)
R134	7030003680	S.RESISTOR	ERJ3GEYJ 104 V (100 kΩ)
R135	7030003560	S.RESISTOR	ERJ3GEYJ 103 V (10 kΩ)
R136	7030003680	S.RESISTOR	ERJ3GEYJ 104 V (100 kΩ)
R137	7030003400	S.RESISTOR	ERJ3GEYJ 471 V (470 Ω)
R138	7030005390	S.RESISTOR	RR0816P-102-D (1 kΩ)
R139	7030003680	S.RESISTOR	ERJ3GEYJ 104 V (100 kΩ)
R140	7030003680	S.RESISTOR	ERJ3GEYJ 104 V (100 kΩ)
R141	7030006260	S.RESISTOR	ERJ12YJ471H (470 Ω)
R142	7030005390	S.RESISTOR	RR0816P-102-D (1 kΩ)
R143	7030006070	S.RESISTOR	ERJ12YJ101H (100 Ω)
R151	7030005390	S.RESISTOR	RR0816P-102-D (1 kΩ)
R152	7030003360	S.RESISTOR	ERJ3GEYJ 221 V (220 Ω)
R153	7030004040	S.RESISTOR	ERJ3GEYJ 4R7 V (4.7 Ω)
R154	7030003370	S.RESISTOR	ERJ3GEYJ 271 V (270 Ω)
R155	7030004040	S.RESISTOR	ERJ3GEYJ 4R7 V (4.7 Ω)
R156	7030003380	S.RESISTOR	ERJ3GEYJ 331 V (330 Ω)
R157	7030003200	S.RESISTOR	ERJ3GEYJ 100 V (10 Ω)
R158	7030003320	S.RESISTOR	ERJ3GEYJ 101 V (100 Ω)
R159	7030003400	S.RESISTOR	ERJ3GEYJ 471 V (470 Ω)
R160	7030003200	S.RESISTOR	ERJ3GEYJ 100 V (10 Ω)
R161	7030003400	S.RESISTOR	ERJ3GEYJ 471 V (470 Ω)
R171	7030006260	S.RESISTOR	ERJ12YJ471H (470 Ω)
R172	7030003320	S.RESISTOR	ERJ3GEYJ 101 V (100 Ω)
R173	7030003320	S.RESISTOR	ERJ3GEYJ 101 V (100 Ω)
R181	7030003320	S.RESISTOR	ERJ3GEYJ 101 V (100 Ω)
R182	7030003280	S.RESISTOR	ERJ3GEYJ 470 V (47 Ω)
R183	7030003280	S.RESISTOR	ERJ3GEYJ 470 V (47 Ω)
R184	7030003320	S.RESISTOR	ERJ3GEYJ 101 V (100 Ω)
R185	7030003320	S.RESISTOR	ERJ3GEYJ 101 V (100 Ω)
R186	7030003320	S.RESISTOR	ERJ3GEYJ 101 V (100 Ω)
R191	7030003320	S.RESISTOR	ERJ3GEYJ 101 V (100 Ω)

S.=Surface mount

[RF UNIT]

REF NO.	ORDER NO.	DESCRIPTION	
R192	7030003420	S.RESISTOR	ERJ3GEYJ 681 V (680 Ω)
R193	7030003370	S.RESISTOR	ERJ3GEYJ 271 V (270 Ω)
R194	7030003230	S.RESISTOR	ERJ3GEYJ 180 V (18 Ω)
R195	7030003370	S.RESISTOR	ERJ3GEYJ 271 V (270 Ω)
R196	7030003320	S.RESISTOR	ERJ3GEYJ 101 V (100 Ω)
R201	7030003640	S.RESISTOR	ERJ3GEYJ 473 V (47 kΩ)
R202	7030005400	S.RESISTOR	RR0816P-202-D (2 kΩ)
R211	7030006260	S.RESISTOR	ERJ12YJ471H (470 Ω)
R212	7030003410	S.RESISTOR	ERJ3GEYJ 561 V (560 Ω)
R213	7030003410	S.RESISTOR	ERJ3GEYJ 561 V (560 Ω)
R214	7030003400	S.RESISTOR	ERJ3GEYJ 471 V (470 Ω)
R215	7030003280	S.RESISTOR	ERJ3GEYJ 470 V (47 Ω)
R216	7030003560	S.RESISTOR	ERJ3GEYJ 103 V (10 kΩ)
R217	7030003280	S.RESISTOR	ERJ3GEYJ 470 V (47 Ω)
R218	7310002720	S.TRIMMER	RV-148
R231	7030003310	S.RESISTOR	ERJ3GEYJ 820 V (82 Ω)
R241	7030003230	S.RESISTOR	ERJ3GEYJ 180 V (18 Ω)
R242	7030003280	S.RESISTOR	ERJ3GEYJ 470 V (47 Ω)
R243	7030003760	S.RESISTOR	ERJ3GEYJ 474 V (470 kΩ)
R244	7030005400	S.RESISTOR	RR0816P-202-D (2 kΩ)
R245	7030003600	S.RESISTOR	ERJ3GEYJ 223 V (22 kΩ)
R246	7030003340	S.RESISTOR	ERJ3GEYJ 151 V (150 Ω)
R247	7030005400	S.RESISTOR	RR0816P-202-D (2 kΩ)
R248	7030003360	S.RESISTOR	ERJ3GEYJ 221 V (220 Ω)
R249	7030005400	S.RESISTOR	RR0816P-202-D (2 kΩ)
R250	7030003640	S.RESISTOR	ERJ3GEYJ 473 V (47 kΩ)
R251	7030005400	S.RESISTOR	RR0816P-202-D (2 kΩ)
R261	7030003370	S.RESISTOR	ERJ3GEYJ 271 V (270 Ω)
R262	7030003230	S.RESISTOR	ERJ3GEYJ 180 V (18 Ω)
R263	7030003370	S.RESISTOR	ERJ3GEYJ 271 V (270 Ω)
R271	7030003520	S.RESISTOR	ERJ3GEYJ 472 V (4.7 kΩ)
R272	7030003500	S.RESISTOR	ERJ3GEYJ 332 V (3.3 kΩ)
R273	7030003340	S.RESISTOR	ERJ3GEYJ 151 V (150 Ω)
R274	7030003600	S.RESISTOR	ERJ3GEYJ 223 V (22 kΩ)
R275	7030003320	S.RESISTOR	ERJ3GEYJ 101 V (100 Ω)
R289	7030005390	S.RESISTOR	RR0816P-102-D (1 kΩ)
R291	7030003400	S.RESISTOR	ERJ3GEYJ 471 V (470 Ω)
R301	7030003310	S.RESISTOR	ERJ3GEYJ 820 V (82 Ω)
R302	7030003420	S.RESISTOR	ERJ3GEYJ 681 V (680 Ω)
R303	7030003520	S.RESISTOR	ERJ3GEYJ 472 V (4.7 kΩ)
R304	7030003200	S.RESISTOR	ERJ3GEYJ 100 V (10 Ω)
R305	7030003280	S.RESISTOR	ERJ3GEYJ 470 V (47 Ω)
R306	7030003400	S.RESISTOR	ERJ3GEYJ 471 V (470 Ω)
R307	7030003400	S.RESISTOR	ERJ3GEYJ 471 V (470 Ω)
R308	7030003280	S.RESISTOR	ERJ3GEYJ 470 V (47 Ω)
R309	7030005390	S.RESISTOR	RR0816P-102-D (1 kΩ)
R310	7030005390	S.RESISTOR	RR0816P-102-D (1 kΩ)
R311	7030006260	S.RESISTOR	ERJ12YJ471H (470 Ω)
R312	7030006260	S.RESISTOR	ERJ12YJ471H (470 Ω)
R313	7030005400	S.RESISTOR	RR0816P-202-D (2 kΩ)
R314	7030003680	S.RESISTOR	ERJ3GEYJ 104 V (100 kΩ)
R321	7030003560	S.RESISTOR	ERJ3GEYJ 103 V (10 kΩ)
R322	7030003560	S.RESISTOR	ERJ3GEYJ 103 V (10 kΩ)
R323	7030003560	S.RESISTOR	ERJ3GEYJ 103 V (10 kΩ)
R324	7030003560	S.RESISTOR	ERJ3GEYJ 103 V (10 kΩ)
R325	7030004040	S.RESISTOR	ERJ3GEYJ 4R7 V (4.7 Ω)
R326	7030004040	S.RESISTOR	ERJ3GEYJ 4R7 V (4.7 Ω)
R327	7030003640	S.RESISTOR	ERJ3GEYJ 473 V (47 kΩ)
R328	7030003640	S.RESISTOR	ERJ3GEYJ 473 V (47 kΩ)
R329	7030003640	S.RESISTOR	ERJ3GEYJ 473 V (47 kΩ)
R330	7030003640	S.RESISTOR	ERJ3GEYJ 473 V (47 kΩ)
R331	7030003640	S.RESISTOR	ERJ3GEYJ 473 V (47 kΩ)
R332	7030003640	S.RESISTOR	ERJ3GEYJ 473 V (47 kΩ)
R333	7030003640	S.RESISTOR	ERJ3GEYJ 473 V (47 kΩ)
R334	7030003640	S.RESISTOR	ERJ3GEYJ 473 V (47 kΩ)
R335	7030003200	S.RESISTOR	ERJ3GEYJ 100 V (10 Ω)
R336	7030003200	S.RESISTOR	ERJ3GEYJ 100 V (10 Ω)
R337	7030003200	S.RESISTOR	ERJ3GEYJ 100 V (10 Ω)
R338	7030003200	S.RESISTOR	ERJ3GEYJ 100 V (10 Ω)
R339	7030003200	S.RESISTOR	ERJ3GEYJ 100 V (10 Ω)
R340	7030003200	S.RESISTOR	ERJ3GEYJ 100 V (10 Ω)
R341	7030003200	S.RESISTOR	ERJ3GEYJ 100 V (10 Ω)
R342	7030003200	S.RESISTOR	ERJ3GEYJ 100 V (10 Ω)
R343	7030003640	S.RESISTOR	ERJ3GEYJ 473 V (47 kΩ)
R344	7030003640	S.RESISTOR	ERJ3GEYJ 473 V (47 kΩ)
R345	7030003640	S.RESISTOR	ERJ3GEYJ 473 V (47 kΩ)
R346	7030003640	S.RESISTOR	ERJ3GEYJ 473 V (47 kΩ)
R347	7030003640	S.RESISTOR	ERJ3GEYJ 473 V (47 kΩ)
R348	7030003640	S.RESISTOR	ERJ3GEYJ 473 V (47 kΩ)
R349	7030003640	S.RESISTOR	ERJ3GEYJ 473 V (47 kΩ)
R350	7030003640	S.RESISTOR	ERJ3GEYJ 473 V (47 kΩ)
R351	7030003200	S.RESISTOR	ERJ3GEYJ 100 V (10 Ω)

[RF UNIT]

REF NO.	ORDER NO.	DESCRIPTION	
R352	7030003200	S.RESISTOR	ERJ3GEYJ 100 V (10 Ω)
R353	7030003200	S.RESISTOR	ERJ3GEYJ 100 V (10 Ω)
R354	7030003200	S.RESISTOR	ERJ3GEYJ 100 V (10 Ω)
R355	7030003200	S.RESISTOR	ERJ3GEYJ 100 V (10 Ω)
R356	7030003200	S.RESISTOR	ERJ3GEYJ 100 V (10 Ω)
R357	7030003200	S.RESISTOR	ERJ3GEYJ 100 V (10 Ω)
R358	7030003200	S.RESISTOR	ERJ3GEYJ 100 V (10 Ω)
R359	7030003560	S.RESISTOR	ERJ3GEYJ 103 V (10 kΩ)
R1000	7030005390	S.RESISTOR	RR0816P-102-D (1 kΩ)
R1002	7030005390	S.RESISTOR	RR0816P-102-D (1 kΩ)
R1003	7030005390	S.RESISTOR	RR0816P-102-D (1 kΩ)
R1004	7030005390	S.RESISTOR	RR0816P-102-D (1 kΩ)
R1005	7030005390	S.RESISTOR	RR0816P-102-D (1 kΩ)
R1006	7030005390	S.RESISTOR	RR0816P-102-D (1 kΩ)
R1007	7030005390	S.RESISTOR	RR0816P-102-D (1 kΩ)
R1008	7030005390	S.RESISTOR	RR0816P-102-D (1 kΩ)
R1009	7030005390	S.RESISTOR	RR0816P-102-D (1 kΩ)
R1010	7030005390	S.RESISTOR	RR0816P-102-D (1 kΩ)
R1011	7030003640	S.RESISTOR	ERJ3GEYJ 473 V (47 kΩ)
R1012	7030003640	S.RESISTOR	ERJ3GEYJ 473 V (47 kΩ)
R1013	7030003640	S.RESISTOR	ERJ3GEYJ 473 V (47 kΩ)
R1014	7030003640	S.RESISTOR	ERJ3GEYJ 473 V (47 kΩ)
R1015	7030003640	S.RESISTOR	ERJ3GEYJ 473 V (47 kΩ)
R1016	7030003640	S.RESISTOR	ERJ3GEYJ 473 V (47 kΩ)
R1017	7030003640	S.RESISTOR	ERJ3GEYJ 473 V (47 kΩ)
R1018	7030003640	S.RESISTOR	ERJ3GEYJ 473 V (47 kΩ)
R1019	7030003640	S.RESISTOR	ERJ3GEYJ 473 V (47 kΩ)
R1020	7030003640	S.RESISTOR	ERJ3GEYJ 473 V (47 kΩ)
R1021	7030003520	S.RESISTOR	ERJ3GEYJ 472 V (4.7 kΩ)
R1022	7030003640	S.RESISTOR	ERJ3GEYJ 473 V (47 kΩ)
R1023	7030005400	S.RESISTOR	RR0816P-202-D (2 kΩ)
R1024	7030003600	S.RESISTOR	ERJ3GEYJ 223 V (22 kΩ)
R1025	7030005390	S.RESISTOR	RR0816P-102-D (1 kΩ)
R1026	7030005390	S.RESISTOR	RR0816P-102-D (1 kΩ)
R1027	7030005390	S.RESISTOR	RR0816P-102-D (1 kΩ)
R1031	7030005390	S.RESISTOR	RR0816P-102-D (1 kΩ)
R1032	7310003820	S.TRIMMER	EVN-D2AA03 B14
R1033	7030005390	S.RESISTOR	RR0816P-102-D (1 kΩ)
R1051	7030005390	S.RESISTOR	RR0816P-102-D (1 kΩ)
R1052	7030003450	S.RESISTOR	ERJ3GEYJ 122 V (1.2 kΩ)
R1071	7030003320	S.RESISTOR	ERJ3GEYJ 101 V (100 Ω)
R1072	7030003560	S.RESISTOR	ERJ3GEYJ 103 V (10 kΩ)
R1073	7030003760	S.RESISTOR	ERJ3GEYJ 474 V (470 kΩ)
R1074	7030003760	S.RESISTOR	ERJ3GEYJ 474 V (470 kΩ)
R1081	7030003320	S.RESISTOR	ERJ3GEYJ 101 V (100 Ω)
R1082	7030005400	S.RESISTOR	RR0816P-202-D (2 kΩ)
R1101	7030005400	S.RESISTOR	RR0816P-202-D (2 kΩ)
R1102	7030005400	S.RESISTOR	RR0816P-202-D (2 kΩ)
R1103	7030005390	S.RESISTOR	RR0816P-102-D (1 kΩ)
R1104	7030005400	S.RESISTOR	RR0816P-202-D (2 kΩ)
R1105	7030005390	S.RESISTOR	RR0816P-102-D (1 kΩ)
R1106	7030005400	S.RESISTOR	RR0816P-202-D (2 kΩ)
R1107	7030005390	S.RESISTOR	RR0816P-102-D (1 kΩ)
R1108	7030005400	S.RESISTOR	RR0816P-202-D (2 kΩ)
R1109	7030005390	S.RESISTOR	RR0816P-102-D (1 kΩ)
R1110	7030005400	S.RESISTOR	RR0816P-202-D (2 kΩ)
R1111	7030005390	S.RESISTOR	RR0816P-102-D (1 kΩ)
R1112	7030005400	S.RESISTOR	RR0816P-202-D (2 kΩ)
R1113	7030005390	S.RESISTOR	RR0816P-102-D (1 kΩ)
R1114	7030005400	S.RESISTOR	RR0816P-202-D (2 kΩ)
R1115	7030005380	S.RESISTOR	RR0816P-102-B (1 kΩ)
R1116	7030005370	S.RESISTOR	RR0816P-202-B (2 kΩ)
R1117	7030005380	S.RESISTOR	RR0816P-102-B (1 kΩ)
R1118	7030005370	S.RESISTOR	RR0816P-202-B (2 kΩ)
R1119	7030005380	S.RESISTOR	RR0816P-102-B (1 kΩ)
R1120	7030005370	S.RESISTOR	RR0816P-202-B (2 kΩ)
R1121	7030005380	S.RESISTOR	RR0816P-102-B (1 kΩ)
R1122	7030005370	S.RESISTOR	RR0816P-202-B (2 kΩ)
R1123	7030005380	S.RESISTOR	RR0816P-102-B (1 kΩ)
R1124	7030005370	S.RESISTOR	RR0816P-202-B (2 kΩ)
R1125	7030003400	S.RESISTOR	ERJ3GEYJ 471 V (470 Ω)
R1127	7030003320	S.RESISTOR	ERJ3GEYJ 101 V (100 Ω)
R1128	7030003640	S.RESISTOR	ERJ3GEYJ 473 V (47 kΩ)
R1129	7030003360	S.RESISTOR	ERJ3GEYJ 221 V (220 Ω)
R1130	7030003280	S.RESISTOR	ERJ3GEYJ 470 V (47 Ω)
R1132	7030003640	S.RESISTOR	ERJ3GEYJ 473 V (47 kΩ)
R1133	7030003360	S.RESISTOR	ERJ3GEYJ 221 V (220 Ω)
R1134	7030003280	S.RESISTOR	ERJ3GEYJ 470 V (47 Ω)
R1135	7010003320	S.RESISTOR	ELR20J 220 Ω
R1136	7030005390	S.RESISTOR	RR0816P-102-D (1 kΩ)
R1137	7030005390	S.RESISTOR	RR0816P-102-D (1 kΩ)
R1138	7010003180	S.RESISTOR	ELR20J 15 Ω

S.=Surface mount

[RF UNIT]

REF NO.	ORDER NO.	DESCRIPTION	
R1139	7030003640	S.RESISTOR	ERJ3GEYJ 473 V (47 kΩ)
R1140	7030003370	S.RESISTOR	ERJ3GEYJ 271 V (270 Ω)
R1142	7030005390	S.RESISTOR	RR0816P-102-D (1 kΩ)
R1144	7010003810	RESISTOR	ELR20J 2.2M Ω
R1147	7030003360	S.RESISTOR	ERJ3GEYJ 221 V (220 Ω)
R1148	7030005390	S.RESISTOR	RR0816P-102-D (1 kΩ)
R1149	7030005390	S.RESISTOR	RR0816P-102-D (1 kΩ)
R1150	7030005390	S.RESISTOR	RR0816P-102-D (1 kΩ)
R1151	7030005390	S.RESISTOR	RR0816P-102-D (1 kΩ)
R1152	7030005390	S.RESISTOR	RR0816P-102-D (1 kΩ)
R1153	7030005390	S.RESISTOR	RR0816P-102-D (1 kΩ)
R1154	7030005390	S.RESISTOR	RR0816P-102-D (1 kΩ)
R1155	7030005390	S.RESISTOR	RR0816P-102-D (1 kΩ)
R1202	7030003280	S.RESISTOR	ERJ3GEYJ 470 V (47 Ω)
R1203	7030003380	S.RESISTOR	ERJ3GEYJ 331 V (330 Ω)
R1204	7030003560	S.RESISTOR	ERJ3GEYJ 103 V (10 kΩ)
R1222	7030003280	S.RESISTOR	ERJ3GEYJ 470 V (47 Ω)
R1223	7030003380	S.RESISTOR	ERJ3GEYJ 331 V (330 Ω)
R1224	7030003560	S.RESISTOR	ERJ3GEYJ 103 V (10 kΩ)
R1242	7030003280	S.RESISTOR	ERJ3GEYJ 470 V (47 Ω)
R1243	7030003380	S.RESISTOR	ERJ3GEYJ 331 V (330 Ω)
R1244	7030003560	S.RESISTOR	ERJ3GEYJ 103 V (10 kΩ)
R1262	7030003280	S.RESISTOR	ERJ3GEYJ 470 V (47 Ω)
R1263	7030003380	S.RESISTOR	ERJ3GEYJ 331 V (330 Ω)
R1264	7030003560	S.RESISTOR	ERJ3GEYJ 103 V (10 kΩ)
R1281	7030003280	S.RESISTOR	ERJ3GEYJ 470 V (47 Ω)
R1282	7030003470	S.RESISTOR	ERJ3GEYJ 182 V (1.8 kΩ)
R1283	7030005400	S.RESISTOR	RR0816P-202-D (2 kΩ)
R1284	7030005390	S.RESISTOR	RR0816P-102-D (1 kΩ)
R1301	7030003560	S.RESISTOR	ERJ3GEYJ 103 V (10 kΩ)
R1302	7030003680	S.RESISTOR	ERJ3GEYJ 104 V (100 kΩ)
R1303	7030003320	S.RESISTOR	ERJ3GEYJ 101 V (100 Ω)
R1304	7030003340	S.RESISTOR	ERJ3GEYJ 151 V (150 Ω)
R1305	7030003680	S.RESISTOR	ERJ3GEYJ 104 V (100 kΩ)
R1306	7030003340	S.RESISTOR	ERJ3GEYJ 151 V (150 Ω)
R1307	7030003640	S.RESISTOR	ERJ3GEYJ 473 V (47 kΩ)
R1308	7030003320	S.RESISTOR	ERJ3GEYJ 101 V (100 Ω)
R1309	7030003360	S.RESISTOR	ERJ3GEYJ 221 V (220 Ω)
R1310	7030003220	S.RESISTOR	ERJ3GEYJ 150 V (15 Ω)
R1311	7030003220	S.RESISTOR	ERJ3GEYJ 150 V (15 Ω)
R1312	7030003220	S.RESISTOR	ERJ3GEYJ 150 V (15 Ω)
R1402	7030003340	S.RESISTOR	ERJ3GEYJ 151 V (150 Ω)
R1403	7030003340	S.RESISTOR	ERJ3GEYJ 151 V (150 Ω)
R1404	7030003450	S.RESISTOR	ERJ3GEYJ 122 V (1.2 kΩ)
R1405	7030003500	S.RESISTOR	ERJ3GEYJ 332 V (3.3 kΩ)
R1406	7030003280	S.RESISTOR	ERJ3GEYJ 470 V (47 Ω)
R1407	7030003280	S.RESISTOR	ERJ3GEYJ 470 V (47 Ω)
R1416	7030005390	S.RESISTOR	RR0816P-102-D (1 kΩ)
R1417	7030003370	S.RESISTOR	ERJ3GEYJ 271 V (270 Ω)
R1418	7030003230	S.RESISTOR	ERJ3GEYJ 180 V (18 Ω)
R1419	7030003370	S.RESISTOR	ERJ3GEYJ 271 V (270 Ω)
R1421	7030003370	S.RESISTOR	ERJ3GEYJ 271 V (270 Ω)
R1422	7030003230	S.RESISTOR	ERJ3GEYJ 180 V (18 Ω)
R1423	7030003370	S.RESISTOR	ERJ3GEYJ 271 V (270 Ω)
R1502	7030005390	S.RESISTOR	RR0816P-102-D (1 kΩ)
R1506	7030005390	S.RESISTOR	RR0816P-102-D (1 kΩ)
R1521	7030003640	S.RESISTOR	ERJ3GEYJ 473 V (47 kΩ)
R1524	7030005390	S.RESISTOR	RR0816P-102-D (1 kΩ)
R1561	7030003640	S.RESISTOR	ERJ3GEYJ 473 V (47 kΩ)
R1562	7030005390	S.RESISTOR	RR0816P-102-D (1 kΩ)
R1581	7030003640	S.RESISTOR	ERJ3GEYJ 473 V (47 kΩ)
R1582	7030005390	S.RESISTOR	RR0816P-102-D (1 kΩ)
R1601	7030005400	S.RESISTOR	RR0816P-202-D (2 kΩ)
R1602	7030005390	S.RESISTOR	RR0816P-102-D (1 kΩ)
R1603	7030005400	S.RESISTOR	RR0816P-202-D (2 kΩ)
R1604	7030005390	S.RESISTOR	RR0816P-102-D (1 kΩ)
R1605	7030005400	S.RESISTOR	RR0816P-202-D (2 kΩ)
R1606	7030005390	S.RESISTOR	RR0816P-102-D (1 kΩ)
R1607	7030005400	S.RESISTOR	RR0816P-202-D (2 kΩ)
R1608	7030005390	S.RESISTOR	RR0816P-102-D (1 kΩ)
R1609	7030005370	S.RESISTOR	RR0816P-202-B (2 kΩ)
R1610	7030005380	S.RESISTOR	RR0816P-102-B (1 kΩ)
R1611	7030005370	S.RESISTOR	RR0816P-202-B (2 kΩ)
R1612	7030005380	S.RESISTOR	RR0816P-102-B (1 kΩ)
R1613	7030005370	S.RESISTOR	RR0816P-202-B (2 kΩ)
R1614	7030005380	S.RESISTOR	RR0816P-102-B (1 kΩ)
R1615	7030005370	S.RESISTOR	RR0816P-202-B (2 kΩ)
R1616	7030005380	S.RESISTOR	RR0816P-102-B (1 kΩ)
R1617	7030005370	S.RESISTOR	RR0816P-202-B (2 kΩ)
R1618	7030005380	S.RESISTOR	RR0816P-102-B (1 kΩ)
R1619	7030005400	S.RESISTOR	RR0816P-202-D (2 kΩ)
R1620	7030005400	S.RESISTOR	RR0816P-202-D (2 kΩ)

[RF UNIT]

REF NO.	ORDER NO.	DESCRIPTION	
R1621	7030005390	S.RESISTOR	RR0816P-102-D (1 kΩ)
R1622	7030005390	S.RESISTOR	RR0816P-102-D (1 kΩ)
R1623	7030005390	S.RESISTOR	RR0816P-102-D (1 kΩ)
R1624	7030005390	S.RESISTOR	RR0816P-102-D (1 kΩ)
R1625	7030005390	S.RESISTOR	RR0816P-102-D (1 kΩ)
R1626	7030003370	S.RESISTOR	ERJ3GEYJ 271 V (270 Ω)
R1627	7030003640	S.RESISTOR	ERJ3GEYJ 473 V (47 kΩ)
R1630	7030005400	S.RESISTOR	RR0816P-202-D (2 kΩ)
R1632	7030003360	S.RESISTOR	ERJ3GEYJ 221 V (220 Ω)
R1701	7030005400	S.RESISTOR	RR0816P-202-D (2 kΩ)
R1702	7030005390	S.RESISTOR	RR0816P-102-D (1 kΩ)
R1703	7030005400	S.RESISTOR	RR0816P-202-D (2 kΩ)
R1704	7030005390	S.RESISTOR	RR0816P-102-D (1 kΩ)
R1705	7030005400	S.RESISTOR	RR0816P-202-D (2 kΩ)
R1706	7030005390	S.RESISTOR	RR0816P-102-D (1 kΩ)
R1707	7030005400	S.RESISTOR	RR0816P-202-D (2 kΩ)
R1708	7030005390	S.RESISTOR	RR0816P-102-D (1 kΩ)
R1709	7030005370	S.RESISTOR	RR0816P-202-B (2 kΩ)
R1710	7030005380	S.RESISTOR	RR0816P-102-B (1 kΩ)
R1711	7030005370	S.RESISTOR	RR0816P-202-B (2 kΩ)
R1712	7030005380	S.RESISTOR	RR0816P-102-B (1 kΩ)
R1713	7030005370	S.RESISTOR	RR0816P-202-B (2 kΩ)
R1714	7030005380	S.RESISTOR	RR0816P-102-B (1 kΩ)
R1715	7030005370	S.RESISTOR	RR0816P-202-B (2 kΩ)
R1716	7030005380	S.RESISTOR	RR0816P-102-B (1 kΩ)
R1717	7030005370	S.RESISTOR	RR0816P-202-B (2 kΩ)
R1718	7030005380	S.RESISTOR	RR0816P-102-B (1 kΩ)
R1719	7030005370	S.RESISTOR	RR0816P-202-B (2 kΩ)
R1720	7030005370	S.RESISTOR	RR0816P-202-B (2 kΩ)
R1721	7030005390	S.RESISTOR	RR0816P-102-D (1 kΩ)
R1722	7030005390	S.RESISTOR	RR0816P-102-D (1 kΩ)
R1723	7030005390	S.RESISTOR	RR0816P-102-D (1 kΩ)
R1724	7030005390	S.RESISTOR	RR0816P-102-D (1 kΩ)
R1725	7030005390	S.RESISTOR	RR0816P-102-D (1 kΩ)
R1726	7030003370	S.RESISTOR	ERJ3GEYJ 271 V (270 Ω)
R1727	7030003640	S.RESISTOR	ERJ3GEYJ 473 V (47 kΩ)
R1728	7030005400	S.RESISTOR	RR0816P-202-D (2 kΩ)
R1731	7030005390	S.RESISTOR	RR0816P-102-D (1 kΩ)
R1733	7030003360	S.RESISTOR	ERJ3GEYJ 221 V (220 Ω)
R1802	7030003560	S.RESISTOR	ERJ3GEYJ 103 V (10 kΩ)
R1803	7030003400	S.RESISTOR	ERJ3GEYJ 471 V (470 Ω)
R1805	7030007490	S.RESISTOR	MCR03EZJH 10 M Ω (106)
R1806	7030005390	S.RESISTOR	RR0816P-102-D (1 kΩ)
R1808	7030003400	S.RESISTOR	ERJ3GEYJ 471 V (470 Ω)
R1809	7030003200	S.RESISTOR	ERJ3GEYJ 100 V (10 Ω)
R1810	7030003400	S.RESISTOR	ERJ3GEYJ 471 V (470 Ω)
R1817	7010003270	RESISTOR	ELR20J 82 Ω
R1818	7010003410	RESISTOR	ELR20J 1.2 kΩ
R1820	7030005390	S.RESISTOR	RR0816P-102-D (1 kΩ)
R1821	7030005390	S.RESISTOR	RR0816P-102-D (1 kΩ)
R1822	7030005390	S.RESISTOR	RR0816P-102-D (1 kΩ)
R1823	7030005390	S.RESISTOR	RR0816P-102-D (1 kΩ)
R1824	7030003200	S.RESISTOR	ERJ3GEYJ 100 V (10 Ω)
R1904	7030003640	S.RESISTOR	ERJ3GEYJ 473 V (47 kΩ)
R1905	7030003320	S.RESISTOR	ERJ3GEYJ 101 V (100 Ω)
R1906	7030003580	S.RESISTOR	ERJ3GEYJ 153 V (15 kΩ)
R1907	7030003520	S.RESISTOR	ERJ3GEYJ 471 V (47 kΩ)
R1908	7030003400	S.RESISTOR	ERJ3GEYJ 471 V (470 Ω)
R1909	7030003470	S.RESISTOR	ERJ3GEYJ 182 V (1.8 kΩ)
R1910	7030005400	S.RESISTOR	RR0816P-202-D (2 kΩ)
R1911	7030003320	S.RESISTOR	ERJ3GEYJ 101 V (100 Ω)
R1912	7030005390	S.RESISTOR	RR0816P-102-D (1 kΩ)
R1913	7030003640	S.RESISTOR	ERJ3GEYJ 473 V (47 kΩ)
R1914	7030003320	S.RESISTOR	ERJ3GEYJ 101 V (100 Ω)
R1915	7030003370	S.RESISTOR	ERJ3GEYJ 271 V (270 Ω)
R1916	7030003600	S.RESISTOR	ERJ3GEYJ 223 V (22 kΩ)
R1917	7030003560	S.RESISTOR	ERJ3GEYJ 103 V (10 kΩ)
R1918	7030003370	S.RESISTOR	ERJ3GEYJ 271 V (270 Ω)
R1919	7030003200	S.RESISTOR	ERJ3GEYJ 100 V (10 Ω)
R1922	7030003360	S.RESISTOR	ERJ3GEYJ 221 V (220 Ω)
R1923	7030003320	S.RESISTOR	ERJ3GEYJ 101 V (100 Ω)
R1924	7030005390	S.RESISTOR	RR0816P-102-D (1 kΩ)
C1	4030011600	S.CERAMIC	C1608 JB 1C 104KT-N
C2	4030011600	S.CERAMIC	C1608 JB 1C 104KT-N
C3	4030011600	S.CERAMIC	C1608 JB 1C 104KT-N
C4	4030011600	S.CERAMIC	C1608 JB 1C 104KT-N
C5	4030008470	S.CERAMIC	C1608 JB 1H 272K-T-A
C6	4030009880	S.CERAMIC	C1608 JB 1H 682K-T-A
C7	4030009980	S.CERAMIC	C1608 JB 1H 152K-T-A
C8	4030006860	S.CERAMIC	C1608 JB 1H 102K-T-A

S.=Surface mount

[RF UNIT]

REF NO.	ORDER NO.	DESCRIPTION
C11	4030011600	S.CERAMIC C1608 JB 1C 104KT-N
C12	4030008650	S.CERAMIC C1608 JB 1H 332K-T-A
C13	4030011330	S.CERAMIC C1608 CH 1H 391J-T-A
C14	4030008650	S.CERAMIC C1608 JB 1H 332K-T-A
C15	4030011600	S.CERAMIC C1608 JB 1C 104KT-N
C16	4030011600	S.CERAMIC C1608 JB 1C 104KT-N
C21	4030011600	S.CERAMIC C1608 JB 1C 104KT-N
C22	4030006860	S.CERAMIC C1608 JB 1H 102K-T-A
C23	4030009580	S.CERAMIC C1608 JB 1H 681K-T-A
C24	4030006870	S.CERAMIC C1608 JB 1H 222K-T-A
C25	4030007170	S.CERAMIC C1608 CH 1H 221J-T-A
C26	4030010020	S.CERAMIC C1608 JB 1H 122K-T-A
C27	4030011600	S.CERAMIC C1608 JB 1C 104KT-N
C28	4030011600	S.CERAMIC C1608 JB 1C 104KT-N
C31	4030011600	S.CERAMIC C1608 JB 1C 104KT-N
C32	4030010020	S.CERAMIC C1608 JB 1H 122K-T-A
C33	4030007130	S.CERAMIC C1608 CH 1H 101J-T-A
C34	4030010020	S.CERAMIC C1608 JB 1H 122K-T-A
C35	4030009880	S.CERAMIC C1608 JB 1H 682K-T-A
C36	4030009630	S.CERAMIC C1608 JB 1H 822K-T-A
C37	4030009980	S.CERAMIC C1608 JB 1H 152K-T-A
C38	4030011600	S.CERAMIC C1608 JB 1C 104KT-N
C41	4030011600	S.CERAMIC C1608 JB 1C 104KT-N
C42	4030010030	S.CERAMIC C1608 SL 1H 511J-T-A
C43	4030007130	S.CERAMIC C1608 CH 1H 101J-T-A
C44	4030011340	S.CERAMIC C1608 CH 1H 471J-T-A
C45	4030006870	S.CERAMIC C1608 JB 1H 222K-T-A
C46	4030008770	S.CERAMIC C1608 JB 1H 562K-T-A
C47	4030009580	S.CERAMIC C1608 JB 1H 681K-T-A
C48	4030011600	S.CERAMIC C1608 JB 1C 104KT-N
C51	4030011600	S.CERAMIC C1608 JB 1C 104KT-N
C52	4030010760	S.CERAMIC C1608 CH 1H 331J-T-A
C53	4030007090	S.CERAMIC C1608 CH 1H 470J-T-A
C54	4030007160	S.CERAMIC C1608 CH 1H 181J-T-A
C55	4030010040	S.CERAMIC C1608 JB 1H 561K-T-A
C56	4030008470	S.CERAMIC C1608 JB 1H 272K-T-A
C57	4030010760	S.CERAMIC C1608 CH 1H 331J-T-A
C58	4030011600	S.CERAMIC C1608 JB 1C 104KT-N
C61	4030011600	S.CERAMIC C1608 JB 1C 104KT-N
C62	4030011280	S.CERAMIC C1608 CH 1H 271J-T-A
C63	4030007090	S.CERAMIC C1608 CH 1H 470J-T-A
C64	4030007150	S.CERAMIC C1608 CH 1H 151J-T-A
C65	4030011340	S.CERAMIC C1608 CH 1H 471J-T-A
C66	4030010020	S.CERAMIC C1608 JB 1H 122K-T-A
C67	4030011840	S.CERAMIC C1608 CH 1H 241J-T-A
C68	4030011600	S.CERAMIC C1608 JB 1C 104KT-N
C71	4030011600	S.CERAMIC C1608 JB 1C 104KT-N
C72	4030007160	S.CERAMIC C1608 CH 1H 181J-T-A
C73	4030008560	S.CERAMIC C1608 CH 1H 300J-T-A
C74	4030007130	S.CERAMIC C1608 CH 1H 101J-T-A
C75	4030006820	S.CERAMIC C1608 SL 1H 301J-T-A
C76	4030010020	S.CERAMIC C1608 JB 1H 122K-T-A
C77	4030007150	S.CERAMIC C1608 CH 1H 151J-T-A
C78	4030011600	S.CERAMIC C1608 JB 1C 104KT-N
C81	4030011600	S.CERAMIC C1608 JB 1C 104KT-N
C82	4030006990	S.CERAMIC C1608 CH 1H 080D-T-A
C83	4030007160	S.CERAMIC C1608 CH 1H 181J-T-A
C84	4030007060	S.CERAMIC C1608 CH 1H 270J-T-A
C85	4030007140	S.CERAMIC C1608 CH 1H 121J-T-A
C86	4030007160	S.CERAMIC C1608 CH 1H 181J-T-A
C87	4030010020	S.CERAMIC C1608 JB 1H 122K-T-A
C88	4030007130	S.CERAMIC C1608 CH 1H 101J-T-A
C89	4030011600	S.CERAMIC C1608 JB 1C 104KT-N
C91	4030006880	S.CERAMIC C1608 JB 1H 472K-T-A
C92	4030007110	S.CERAMIC C1608 CH 1H 680J-T-A
C93	4030007060	S.CERAMIC C1608 CH 1H 270J-T-A
C94	4030007120	S.CERAMIC C1608 CH 1H 820J-T-A
C95	4030007040	S.CERAMIC C1608 CH 1H 180J-T-A
C96	4030007100	S.CERAMIC C1608 CH 1H 560J-T-A
C97	4030007100	S.CERAMIC C1608 CH 1H 560J-T-A
C98	4030007160	S.CERAMIC C1608 CH 1H 181J-T-A
C99	4030007090	S.CERAMIC C1608 CH 1H 470J-T-A
C100	4030006880	S.CERAMIC C1608 JB 1H 472K-T-A
C101	4030006880	S.CERAMIC C1608 JB 1H 472K-T-A
C102	4030007110	S.CERAMIC C1608 CH 1H 680J-T-A
C103	4030007040	S.CERAMIC C1608 CH 1H 180J-T-A
C104	4030007110	S.CERAMIC C1608 CH 1H 680J-T-A
C105	4030007120	S.CERAMIC C1608 CH 1H 820J-T-A
C106	4030010040	S.CERAMIC C1608 JB 1H 561K-T-A
C107	4030007120	S.CERAMIC C1608 CH 1H 820J-T-A
C108	4030006880	S.CERAMIC C1608 JB 1H 472K-T-A
C111	4030006880	S.CERAMIC C1608 JB 1H 472K-T-A

[RF UNIT]

REF NO.	ORDER NO.	DESCRIPTION
C112	4030006860	S.CERAMIC C1608 JB 1H 102K-T-A
C113	4030009920	S.CERAMIC C1608 CH 1H 050B-T-A
C114	4030009500	S.CERAMIC C1608 CH 1H 0R5B-T-A
C115	4030009910	S.CERAMIC C1608 CH 1H 040B-T-A
C116	4030009500	S.CERAMIC C1608 CH 1H 0R5B-T-A
C117	4030009920	S.CERAMIC C1608 CH 1H 050B-T-A
C118	4030006880	S.CERAMIC C1608 JB 1H 472K-T-A
C119	4030006860	S.CERAMIC C1608 JB 1H 102K-T-A
C120	4030011600	S.CERAMIC C1608 JB 1C 104KT-N
C121	4030007040	S.CERAMIC C1608 CH 1H 180J-T-A
C122	4030006860	S.CERAMIC C1608 JB 1H 102K-T-A
C123	4030006860	S.CERAMIC C1608 JB 1H 102K-T-A
C124	4030006860	S.CERAMIC C1608 JB 1H 102K-T-A
C125	4030007070	S.CERAMIC C1608 CH 1H 330J-T-A
C126	4030006980	S.CERAMIC C1608 CH 1H 070D-T-A
C127	4030007060	S.CERAMIC C1608 CH 1H 270J-T-A
C128	4030006860	S.CERAMIC C1608 JB 1H 102K-T-A
C129	4030006860	S.CERAMIC C1608 JB 1H 102K-T-A
C131	4030006860	S.CERAMIC C1608 JB 1H 102K-T-A
C132	4030006860	S.CERAMIC C1608 JB 1H 102K-T-A
C133	4030006860	S.CERAMIC C1608 JB 1H 102K-T-A
C134	4030006880	S.CERAMIC C1608 JB 1H 472K-T-A
C135	4030009520	S.CERAMIC C1608 CH 1H 020B-T-A
C136	4030006980	S.CERAMIC C1608 CH 1H 070D-T-A
C137	4030006860	S.CERAMIC C1608 JB 1H 102K-T-A
C138	4030007060	S.CERAMIC C1608 CH 1H 270J-T-A
C139	4030006860	S.CERAMIC C1608 JB 1H 102K-T-A
C140	4030006860	S.CERAMIC C1608 JB 1H 102K-T-A
C142	4030006860	S.CERAMIC C1608 JB 1H 102K-T-A
C143	4030007090	S.CERAMIC C1608 CH 1H 470J-T-A
C144	4030007120	S.CERAMIC C1608 CH 1H 820J-T-A
C146	4030006860	S.CERAMIC C1608 JB 1H 102K-T-A
C147	4030006880	S.CERAMIC C1608 JB 1H 472K-T-A
C148	4030006880	S.CERAMIC C1608 JB 1H 472K-T-A
C149	4030006880	S.CERAMIC C1608 JB 1H 472K-T-A
C151	4030011600	S.CERAMIC C1608 JB 1C 104KT-N
C152	4030011600	S.CERAMIC C1608 JB 1C 104KT-N
C153	4030011600	S.CERAMIC C1608 JB 1C 104KT-N
C154	4030011600	S.CERAMIC C1608 JB 1C 104KT-N
C155	4030011600	S.CERAMIC C1608 JB 1C 104KT-N
C156	4030006880	S.CERAMIC C1608 JB 1H 472K-T-A
C157	4030011600	S.CERAMIC C1608 JB 1C 104KT-N
C171	4030011600	S.CERAMIC C1608 JB 1C 104KT-N
C172	4030011600	S.CERAMIC C1608 JB 1C 104KT-N
C173	4030007010	S.CERAMIC C1608 CH 1H 100D-T-A
C181	4030011600	S.CERAMIC C1608 JB 1C 104KT-N
C182	4030011600	S.CERAMIC C1608 JB 1C 104KT-N
C183	4030011600	S.CERAMIC C1608 JB 1C 104KT-N
C184	4030011600	S.CERAMIC C1608 JB 1C 104KT-N
C185	4030011600	S.CERAMIC C1608 JB 1C 104KT-N
C191	4030011600	S.CERAMIC C1608 JB 1C 104KT-N
C192	4030011600	S.CERAMIC C1608 JB 1C 104KT-N
C193	4030011600	S.CERAMIC C1608 JB 1C 104KT-N
C194	4030011600	S.CERAMIC C1608 JB 1C 104KT-N
C195	4030011600	S.CERAMIC C1608 JB 1C 104KT-N
C196	4030011600	S.CERAMIC C1608 JB 1C 104KT-N
C197	4030011600	S.CERAMIC C1608 JB 1C 104KT-N
C201	4030007170	S.CERAMIC C1608 CH 1H 221J-T-A
C211	4030007070	S.CERAMIC C1608 CH 1H 330J-T-A
C212	4030007090	S.CERAMIC C1608 CH 1H 470J-T-A
C213	4030007120	S.CERAMIC C1608 JB 1H 820J-T-A
C214	4030007040	S.CERAMIC C1608 CH 1H 180J-T-A
C215	4030007100	S.CERAMIC C1608 CH 1H 560J-T-A
C216	4030011600	S.CERAMIC C1608 JB 1C 104KT-N
C217	4030011600	S.CERAMIC C1608 JB 1C 104KT-N
C218	4030011600	S.CERAMIC C1608 JB 1C 104KT-N
C219	4030009530	S.CERAMIC C1608 CH 1H 030B-T-A
C220	4030006880	S.CERAMIC C1608 JB 1H 472K-T-A
C221	4030011600	S.CERAMIC C1608 JB 1C 104KT-N
C222	4030007000	S.CERAMIC C1608 CH 1H 090D-T-A
C223	4030011600	S.CERAMIC C1608 JB 1C 104KT-N
C224	4030011600	S.CERAMIC C1608 JB 1C 104KT-N
C225	4030009910	S.CERAMIC C1608 CH 1H 040B-T-A
C226	4030006860	S.CERAMIC C1608 JB 1H 102K-T-A
C227	4030006860	S.CERAMIC C1608 JB 1H 102K-T-A
C231	4030007130	S.CERAMIC C1608 CH 1H 101J-T-A
C232	4030007030	S.CERAMIC C1608 CH 1H 150J-T-A
C233	4030007010	S.CERAMIC C1608 CH 1H 100D-T-A
C241	4030006880	S.CERAMIC C1608 JB 1H 472K-T-A
C242	4030011600	S.CERAMIC C1608 JB 1C 104KT-N
C243	4030006880	S.CERAMIC C1608 JB 1H 472K-T-A
C244	4030007020	S.CERAMIC C1608 CH 1H 120J-T-A

S.=Surface mount

[RF UNIT]

REF NO.	ORDER NO.	DESCRIPTION	
C245	4030006880	S.CERAMIC	C1608 JB 1H 472K-T-A
C246	4030006880	S.CERAMIC	C1608 JB 1H 472K-T-A
C247	4030006880	S.CERAMIC	C1608 JB 1H 472K-T-A
C248	4030006880	S.CERAMIC	C1608 JB 1H 472K-T-A
C251	4030006880	S.CERAMIC	C1608 JB 1H 472K-T-A
C252	4030007030	S.CERAMIC	C1608 CH 1H 150J-T-A
C253	4030007030	S.CERAMIC	C1608 CH 1H 150J-T-A
C261	4030007110	S.CERAMIC	C1608 CH 1H 680J-T-A
C262	4030011330	S.CERAMIC	C1608 CH 1H 391J-T-A
C263	4030007110	S.CERAMIC	C1608 CH 1H 680J-T-A
C264	4030011330	S.CERAMIC	C1608 CH 1H 391J-T-A
C271	4030006880	S.CERAMIC	C1608 JB 1H 472K-T-A
C272	4030006860	S.CERAMIC	C1608 JB 1H 102K-T-A
C273	4030006860	S.CERAMIC	C1608 JB 1H 102K-T-A
C275	4030006970	S.CERAMIC	C1608 CH 1H 060D-T-A
C276	4030006880	S.CERAMIC	C1608 JB 1H 472K-T-A
C286	4030011600	S.CERAMIC	C1608 JB 1C 104KT-N
C287	4030007060	S.CERAMIC	C1608 CH 1H 270J-T-A
C288	4030011770	S.CERAMIC	C1608 CH 1H 060B-T-A
C289	4030007030	S.CERAMIC	C1608 CH 1H 150J-T-A
C290	4030011600	S.CERAMIC	C1608 JB 1C 104KT-N
C291	4030007030	S.CERAMIC	C1608 CH 1H 150J-T-A
C296	4030008560	S.CERAMIC	C1608 CH 1H 300J-T-A
C298	4030007030	S.CERAMIC	C1608 CH 1H 150J-T-A
C300	4030006860	S.CERAMIC	C1608 JB 1H 102K-T-A
C301	4030007080	S.CERAMIC	C1608 CH 1H 390J-T-A
C302	4030007170	S.CERAMIC	C1608 CH 1H 221J-T-A
C303	4030006880	S.CERAMIC	C1608 JB 1H 472K-T-A
C304	4030011600	S.CERAMIC	C1608 JB 1C 104KT-N
C305	4030006860	S.CERAMIC	C1608 JB 1H 102K-T-A
C306	4030007050	S.CERAMIC	C1608 CH 1H 220J-T-A
C307	4030011770	S.CERAMIC	C1608 CH 1H 060B-T-A
C308	4030007070	S.CERAMIC	C1608 CH 1H 330J-T-A
C309	4030009520	S.CERAMIC	C1608 CH 1H 020B-T-A
C311	4030011600	S.CERAMIC	C1608 JB 1C 104KT-N
C312	4030006880	S.CERAMIC	C1608 JB 1H 472K-T-A
C313	4030009500	S.CERAMIC	C1608 CH 1H 0R5B-T-A
C314	4030011770	S.CERAMIC	C1608 CH 1H 060B-T-A
C315	4030007040	S.CERAMIC	C1608 CH 1H 180J-T-A
C316	4030009510	S.CERAMIC	C1608 CH 1H 010B-T-A
C317	4030007040	S.CERAMIC	C1608 CH 1H 180J-T-A
C318	4030006860	S.CERAMIC	C1608 JB 1H 102K-T-A
C319	4030006860	S.CERAMIC	C1608 JB 1H 102K-T-A
C320	4030006860	S.CERAMIC	C1608 JB 1H 102K-T-A
C321	4030011600	S.CERAMIC	C1608 JB 1C 104KT-N
C322	4030011600	S.CERAMIC	C1608 JB 1C 104KT-N
C323	4030011600	S.CERAMIC	C1608 JB 1C 104KT-N
C324	4030011600	S.CERAMIC	C1608 JB 1C 104KT-N
C401	4030006880	S.CERAMIC	C1608 JB 1H 472K-T-A
C1001	4030006880	S.CERAMIC	C1608 JB 1H 472K-T-A
C1002	4510004630	S.ELECTROLYTIC	ECEV1CA100SR
C1003	4030006880	S.CERAMIC	C1608 JB 1H 472K-T-A
C1004	4510004630	S.ELECTROLYTIC	ECEV1CA100SR
C1005	4030006880	S.CERAMIC	C1608 JB 1H 472K-T-A
C1006	4030006880	S.CERAMIC	C1608 JB 1H 472K-T-A
C1008	4030006880	S.CERAMIC	C1608 JB 1H 472K-T-A
C1011	4030006880	S.CERAMIC	C1608 JB 1H 472K-T-A
C1012	4030006880	S.CERAMIC	C1608 JB 1H 472K-T-A
C1013	4030006880	S.CERAMIC	C1608 JB 1H 472K-T-A
C1014	4030006880	S.CERAMIC	C1608 JB 1H 472K-T-A
C1031	4030006880	S.CERAMIC	C1608 JB 1H 472K-T-A
C1032	4030006880	S.CERAMIC	C1608 JB 1H 472K-T-A
C1051	4030006880	S.CERAMIC	C1608 JB 1H 472K-T-A
C1052	4510004630	S.ELECTROLYTIC	ECEV1CA100SR
C1053	4030006880	S.CERAMIC	C1608 JB 1H 472K-T-A
C1054	4510004630	S.ELECTROLYTIC	ECEV1CA100SR
C1055	4030006880	S.CERAMIC	C1608 JB 1H 472K-T-A
C1057	4030006880	S.CERAMIC	C1608 JB 1H 472K-T-A
C1059	4510004630	S.ELECTROLYTIC	ECEV1CA100SR
C1071	4030006860	S.CERAMIC	C1608 JB 1H 102K-T-A
C1073	4030006860	S.CERAMIC	C1608 JB 1H 102K-T-A
C1081	4030011600	S.CERAMIC	C1608 JB 1C 104KT-N
C1082	4030006880	S.CERAMIC	C1608 JB 1H 472K-T-A
C1101	4510004630	S.ELECTROLYTIC	ECEV1CA100SR
C1102	4030011600	S.CERAMIC	C1608 JB 1C 104KT-N
C1103	4030011600	S.CERAMIC	C1608 JB 1C 104KT-N
C1104	4030011600	S.CERAMIC	C1608 JB 1C 104KT-N
C1105	4030011600	S.CERAMIC	C1608 JB 1C 104KT-N
C1106	4030011600	S.CERAMIC	C1608 JB 1C 104KT-N
C1107	4030011600	S.CERAMIC	C1608 JB 1C 104KT-N
C1108	4030011600	S.CERAMIC	C1608 JB 1C 104KT-N
C1109	4030011600	S.CERAMIC	C1608 JB 1C 104KT-N

[RF UNIT]

REF NO.	ORDER NO.	DESCRIPTION	
C1110	4030011600	S.CERAMIC	C1608 JB 1C 104KT-N
C1111	4030011600	S.CERAMIC	C1608 JB 1C 104KT-N
C1112	4030011600	S.CERAMIC	C1608 JB 1C 104KT-N
C1113	4030011600	S.CERAMIC	C1608 JB 1C 104KT-N
C1114	4030011600	S.CERAMIC	C1608 JB 1C 104KT-N
C1115	4030011600	S.CERAMIC	C1608 JB 1C 104KT-N
C1116	4030011600	S.CERAMIC	C1608 JB 1C 104KT-N
C1117	4030011600	S.CERAMIC	C1608 JB 1C 104KT-N
C1118	4030011600	S.CERAMIC	C1608 JB 1C 104KT-N
C1119	4030006880	S.CERAMIC	C1608 JB 1H 472K-T-A
C1120	4030011600	S.CERAMIC	C1608 JB 1C 104KT-N
C1121	4550006250	S.TANTALUM	TEMSVA 1A 106M-8L
C1122	4030006880	S.CERAMIC	C1608 JB 1H 472K-T-A
C1131	4030011600	S.CERAMIC	C1608 JB 1C 104KT-N
C1141	4030006880	S.CERAMIC	C1608 JB 1H 472K-T-A
C1151	4030006880	S.CERAMIC	C1608 JB 1H 472K-T-A
C1161	4030006880	S.CERAMIC	C1608 JB 1H 472K-T-A
C1162	4030006880	S.CERAMIC	C1608 JB 1H 472K-T-A
C1163	4030006880	S.CERAMIC	C1608 JB 1H 472K-T-A
C1164	4030006880	S.CERAMIC	C1608 JB 1H 472K-T-A
C1191	4030011600	S.CERAMIC	C1608 JB 1C 104KT-N
C1202	4030007150	S.CERAMIC	C1608 CH 1H 151J-T-A
C1203	4030006880	S.CERAMIC	C1608 JB 1H 472K-T-A
C1204	4030011340	S.CERAMIC	C1608 CH 1H 471J-T-A
C1205	4030006880	S.CERAMIC	C1608 JB 1H 472K-T-A
C1206	4030009520	S.CERAMIC	C1608 CH 1H 020B-T-A
C1207	4030006880	S.CERAMIC	C1608 JB 1H 472K-T-A
C1208	4610001270	S.TRIMMER	ECR-JA010 A12W
C1209	4030009990	S.CERAMIC	C1608 CH 1H 200J-T-A
C1222	4030007150	S.CERAMIC	C1608 CH 1H 151J-T-A
C1223	4030006880	S.CERAMIC	C1608 JB 1H 472K-T-A
C1224	4030011340	S.CERAMIC	C1608 CH 1H 471J-T-A
C1225	4030006880	S.CERAMIC	C1608 JB 1H 472K-T-A
C1226	4030009510	S.CERAMIC	C1608 CH 1H 010B-T-A
C1227	4030006880	S.CERAMIC	C1608 JB 1H 472K-T-A
C1228	4610001270	S.TRIMMER	ECR-JA010 A12W
C1242	4030007100	S.CERAMIC	C1608 CH 1H 560J-T-A
C1243	4030006880	S.CERAMIC	C1608 JB 1H 472K-T-A
C1244	4030011340	S.CERAMIC	C1608 CH 1H 471J-T-A
C1245	4030006880	S.CERAMIC	C1608 JB 1H 472K-T-A
C1246	4030009510	S.CERAMIC	C1608 CH 1H 010B-T-A
C1247	4030006880	S.CERAMIC	C1608 JB 1H 472K-T-A
C1248	4610001170	S.TRIMMER	ECR-JA006 A12W
C1249	4030009910	S.CERAMIC	C1608 CH 1H 040B-T-A
C1262	4030009990	S.CERAMIC	C1608 CH 1H 200J-T-A
C1263	4030006880	S.CERAMIC	C1608 JB 1H 472K-T-A
C1264	4030011340	S.CERAMIC	C1608 CH 1H 471J-T-A
C1265	4030006880	S.CERAMIC	C1608 JB 1H 472K-T-A
C1266	4030009510	S.CERAMIC	C1608 CH 1H 010B-T-A
C1267	4030006880	S.CERAMIC	C1608 JB 1H 472K-T-A
C1268	4610001170	S.TRIMMER	ECR-JA006 A12W
C1269	4030009540	S.CERAMIC	C1608 CH 1H 1R5B-T-A
C1281	4030006880	S.CERAMIC	C1608 JB 1H 472K-T-A
C1282	4030006880	S.CERAMIC	C1608 JB 1H 472K-T-A
C1284	4030006880	S.CERAMIC	C1608 JB 1H 472K-T-A
C1291	4030007080	S.CERAMIC	C1608 CH 1H 390J-T-A
C1292	4030007120	S.CERAMIC	C1608 CH 1H 820J-T-A
C1293	4030007080	S.CERAMIC	C1608 CH 1H 390J-T-A
C1301	4030007080	S.CERAMIC	C1608 CH 1H 390J-T-A
C1302	4030007130	S.CERAMIC	C1608 CH 1H 101J-T-A
C1303	4610001260	S.TRIMMER	ECR-JA020 E12W
C1304	4030007150	S.CERAMIC	C1608 CH 1H 151J-T-A
C1305	4510004630	S.ELECTROLYTIC	ECEV1CA100SR
C1306	4030006880	S.CERAMIC	C1608 JB 1H 472K-T-A
C1307	4030006880	S.CERAMIC	C1608 JB 1H 472K-T-A
C1308	4030007150	S.CERAMIC	C1608 CH 1H 151J-T-A
C1309	4030007150	S.CERAMIC	C1608 CH 1H 151J-T-A
C1310	4030007010	S.CERAMIC	C1608 CH 1H 100D-T-A
C1311	4030006880	S.CERAMIC	C1608 JB 1H 472K-T-A
C1312	4030011600	S.CERAMIC	C1608 JB 1C 104KT-N
C1408	4030006880	S.CERAMIC	C1608 JB 1H 472K-T-A
C1409	4030006880	S.CERAMIC	C1608 JB 1H 472K-T-A
C1410	4030006880	S.CERAMIC	C1608 JB 1H 472K-T-A
C1411	4030006880	S.CERAMIC	C1608 JB 1H 472K-T-A
C1412	4030006880	S.CERAMIC	C1608 JB 1H 472K-T-A
C1422	4030007060	S.CERAMIC	C1608 CH 1H 270J-T-A
C1423	4030007030	S.CERAMIC	C1608 CH 1H 150J-T-A
C1424	4030007060	S.CERAMIC	C1608 CH 1H 270J-T-A
C1425	4030007080	S.CERAMIC	C1608 CH 1H 390J-T-A
C1426	4030006880	S.CERAMIC	C1608 JB 1H 472K-T-A
C1427	4030006880	S.CERAMIC	C1608 JB 1H 472K-T-A
C1428	4030007120	S.CERAMIC	C1608 CH 1H 820J-T-A

S.=Surface mount

[RF UNIT]

REF NO.	ORDER NO.	DESCRIPTION	
C1429	4030007080	S.CERAMIC	C1608 CH 1H 390J-T-A
C1501	4030006880	S.CERAMIC	C1608 JB 1H 472K-T-A
C1502	4030006880	S.CERAMIC	C1608 JB 1H 472K-T-A
C1503	4030006880	S.CERAMIC	C1608 JB 1H 472K-T-A
C1521	4030006880	S.CERAMIC	C1608 JB 1H 472K-T-A
C1522	4030007030	S.CERAMIC	C1608 CH 1H 150J-T-A
C1523	4030007070	S.CERAMIC	C1608 CH 1H 330J-T-A
C1524	4030007000	S.CERAMIC	C1608 CH 1H 090D-T-A
C1525	4030007030	S.CERAMIC	C1608 CH 1H 150J-T-A
C1526	4030009530	S.CERAMIC	C1608 CH 1H 030B-T-A
C1527	4030007050	S.CERAMIC	C1608 CH 1H 220J-T-A
C1528	4030009920	S.CERAMIC	C1608 CH 1H 050B-T-A
C1529	4030007030	S.CERAMIC	C1608 CH 1H 150J-T-A
C1530	4030007130	S.CERAMIC	C1608 CH 1H 101J-T-A
C1531	4030007040	S.CERAMIC	C1608 CH 1H 180J-T-A
C1561	4030006880	S.CERAMIC	C1608 JB 1H 472K-T-A
C1562	4030007080	S.CERAMIC	C1608 CH 1H 390J-T-A
C1563	4030007010	S.CERAMIC	C1608 CH 1H 100D-T-A
C1564	4030007080	S.CERAMIC	C1608 CH 1H 390J-T-A
C1565	4030006980	S.CERAMIC	C1608 CH 1H 070D-T-A
C1567	4030007060	S.CERAMIC	C1608 CH 1H 270J-T-A
C1581	4030006880	S.CERAMIC	C1608 JB 1H 472K-T-A
C1582	4030007070	S.CERAMIC	C1608 CH 1H 330J-T-A
C1583	4030006980	S.CERAMIC	C1608 CH 1H 070D-T-A
C1584	4030007060	S.CERAMIC	C1608 CH 1H 270J-T-A
C1585	4030009920	S.CERAMIC	C1608 CH 1H 050B-T-A
C1586	4030007050	S.CERAMIC	C1608 CH 1H 220J-T-A
C1601	4510004630	S.ELECTROLYTIC	ECEV1CA1005R
C1602	4030011600	S.CERAMIC	C1608 JB 1C 104KT-N
C1603	4030011600	S.CERAMIC	C1608 JB 1C 104KT-N
C1604	4030011600	S.CERAMIC	C1608 JB 1C 104KT-N
C1605	4030011600	S.CERAMIC	C1608 JB 1C 104KT-N
C1606	4030006880	S.CERAMIC	C1608 JB 1H 472K-T-A
C1607	4030011600	S.CERAMIC	C1608 JB 1C 104KT-N
C1608	4030011600	S.CERAMIC	C1608 JB 1C 104KT-N
C1609	4030007040	S.CERAMIC	C1608 CH 1H 180J-T-A
C1610	4030009920	S.CERAMIC	C1608 CH 1H 050B-T-A
C1611	4030007070	S.CERAMIC	C1608 CH 1H 330J-T-A
C1612	4030009520	S.CERAMIC	C1608 CH 1H 020B-T-A
C1613	4030007040	S.CERAMIC	C1608 CH 1H 180J-T-A
C1615	4030007040	S.CERAMIC	C1608 CH 1H 180J-T-A
C1616	4030007090	S.CERAMIC	C1608 CH 1H 470J-T-A
C1617	4030007040	S.CERAMIC	C1608 CH 1H 180J-T-A
C1630	4030011600	S.CERAMIC	C1608 JB 1C 104KT-N
C1701	4510004630	S.ELECTROLYTIC	ECEV1CA1005R
C1702	4030011600	S.CERAMIC	C1608 JB 1C 104KT-N
C1703	4030011600	S.CERAMIC	C1608 JB 1C 104KT-N
C1704	4030011600	S.CERAMIC	C1608 JB 1C 104KT-N
C1705	4030011600	S.CERAMIC	C1608 JB 1C 104KT-N
C1706	4030006880	S.CERAMIC	C1608 JB 1H 472K-T-A
C1707	4030007040	S.CERAMIC	C1608 CH 1H 180J-T-A
C1708	4030009920	S.CERAMIC	C1608 CH 1H 050B-T-A
C1709	4030007070	S.CERAMIC	C1608 CH 1H 330J-T-A
C1710	4030009520	S.CERAMIC	C1608 CH 1H 020B-T-A
C1711	4030007040	S.CERAMIC	C1608 CH 1H 180J-T-A
C1714	4030007040	S.CERAMIC	C1608 CH 1H 180J-T-A
C1715	4550006780	S.TANTALUM	TEMSVB2 0J 476M-8R
C1720	4030011600	S.CERAMIC	C1608 JB 1C 104KT-N
C1721	4030011600	S.CERAMIC	C1608 JB 1C 104KT-N
C1730	4030011600	S.CERAMIC	C1608 JB 1C 104KT-N
C1731	4030006880	S.CERAMIC	C1608 JB 1H 472K-T-A
C1801	4030006880	S.CERAMIC	C1608 JB 1H 472K-T-A
C1802	4030006880	S.CERAMIC	C1608 JB 1H 472K-T-A
C1803	4030007010	S.CERAMIC	C1608 CH 1H 100D-T-A
C1804	4030007060	S.CERAMIC	C1608 CH 1H 270J-T-A
C1805	4030007060	S.CERAMIC	C1608 CH 1H 270J-T-A
C1806	4030006880	S.CERAMIC	C1608 JB 1H 472K-T-A
C1807	4030007130	S.CERAMIC	C1608 CH 1H 101J-T-A
C1809	4030011600	S.CERAMIC	C1608 JB 1C 104KT-N
C1810	4030011600	S.CERAMIC	C1608 JB 1C 104KT-N
C1811	4550006480	S.TANTALUM	TEMSVA 1C 475M-8L
C1812	4560000080	CERAMIC	D33Y5V 1H 103Z21
C1814	4030007030	S.CERAMIC	C1608 CH 1H 150J-T-A
C1816	4030006880	S.CERAMIC	C1608 JB 1H 472K-T-A
C1817	4030006880	S.CERAMIC	C1608 JB 1H 472K-T-A
C1818	4030011340	S.CERAMIC	C1608 CH 1H 471J-T-A
C1819	4030007100	S.CERAMIC	C1608 CH 1H 560J-T-A
C1820	4030009580	S.CERAMIC	C1608 JB 1H 681K-T-A
C1856	4030011340	S.CERAMIC	C1608 CH 1H 471J-T-A
C1857	4550006480	S.TANTALUM	TEMSVA 1C 475M-8L
C1858	4030011600	S.CERAMIC	C1608 JB 1C 104KT-N
C1904	4030007100	S.CERAMIC	C1608 CH 1H 560J-T-A

[RF UNIT]

REF NO.	ORDER NO.	DESCRIPTION	
C1905	4030006880	S.CERAMIC	C1608 JB 1H 472K-T-A
C1906	4030006880	S.CERAMIC	C1608 JB 1H 472K-T-A
C1908	4030006880	S.CERAMIC	C1608 JB 1H 472K-T-A
C1909	4030007100	S.CERAMIC	C1608 CH 1H 560J-T-A
C1916	4030006880	S.CERAMIC	C1608 JB 1H 472K-T-A
C1917	4030006880	S.CERAMIC	C1608 JB 1H 472K-T-A
C1918	4030006880	S.CERAMIC	C1608 JB 1H 472K-T-A
C1919	4030006880	S.CERAMIC	C1608 JB 1H 472K-T-A
C1920	4030007170	S.CERAMIC	C1608 CH 1H 221J-T-A
C1921	4030007060	S.CERAMIC	C1608 CH 1H 270J-T-A
C1922	4030006880	S.CERAMIC	C1608 JB 1H 472K-T-A
C1923	4030009510	S.CERAMIC	C1608 CH 1H 010B-T-A
C1924	4030007060	S.CERAMIC	C1608 CH 1H 270J-T-A
C1925	4030006880	S.CERAMIC	C1608 JB 1H 472K-T-A
C1926	4030006880	S.CERAMIC	C1608 JB 1H 472K-T-A
C1927	4030006880	S.CERAMIC	C1608 JB 1H 472K-T-A
C1928	4030006880	S.CERAMIC	C1608 JB 1H 472K-T-A
C1931	4030011600	S.CERAMIC	C1608 JB 1C 104KT-N
RL1	6330001320	RELAY	AHY103
J1	6510007020	CONNECTOR	TMP-J01X-V6
J2	6510019990	S.CONNECTOR	52808-2290
J121	6510007020	CONNECTOR	TMP-J01X-V6
J151	6510007020	CONNECTOR	TMP-J01X-V6
J262	6510007020	CONNECTOR	TMP-J01X-V6
J401	6450001490	CONNECTOR	HLJ7001-01-3010
J1001	6510019990	S.CONNECTOR	52808-2290
J1500	6510003250	CONNECTOR	TMP-J01X-A2
W151	7030003860	S.JUMPER	ERJ3GE JPW V
W301	7030008240	S.JUMPER	ERJ12YJ0R00H
W302	7030008240	S.JUMPER	ERJ12YJ0R00H
W303	7030008240	S.JUMPER	ERJ12YJ0R00H
W1001	7030009300	S.JUMPER	ERJ1WY0R00H
W1002	7030009300	S.JUMPER	ERJ1WY0R00H
W1003	7030009300	S.JUMPER	ERJ1WY0R00H
W1004	7030009300	S.JUMPER	ERJ1WY0R00H
W1081	7030003860	S.JUMPER	ERJ3GE JPW V
W1201	7030003860	S.JUMPER	ERJ3GE JPW V
W1203	7030003860	S.JUMPER	ERJ3GE JPW V
W1403	7030003860	S.JUMPER	ERJ3GE JPW V
W1404	7030003860	S.JUMPER	ERJ3GE JPW V
W1405	7030003860	S.JUMPER	ERJ3GE JPW V
W1406	7030003860	S.JUMPER	ERJ3GE JPW V
W1407	7030003860	S.JUMPER	ERJ3GE JPW V
W1408	7030003860	S.JUMPER	ERJ3GE JPW V
W1601	7030003860	S.JUMPER	ERJ3GE JPW V
W1604	7030003860	S.JUMPER	ERJ3GE JPW V
W1605	7030003860	S.JUMPER	ERJ3GE JPW V
W1701	7030003860	S.JUMPER	ERJ3GE JPW V
W1702	7030003860	S.JUMPER	ERJ3GE JPW V
W1703	7030003860	S.JUMPER	ERJ3GE JPW V
W1704	7030003860	S.JUMPER	ERJ3GE JPW V
W1705	7030003860	S.JUMPER	ERJ3GE JPW V
W1902	7030003860	S.JUMPER	ERJ3GE JPW V
WS1	8970023092	CABLE	1.5(d) COAXIAL-2 (4)/RF
EP1	0910049428	PCB	B 5082H

Downloaded by
RadioAmateur.EU

S.=Surface mount

[PA UNIT]

REF NO.	ORDER NO.	DESCRIPTION	
IC1	1180000420	S.IC	TA78L05F (TE12R)
IC2	1110002020	IC	TA7805S
IC3	1110002030	IC	TA7808S
IC501	1160000130	S.IC	TD62783AF (TP1)
IC502	1130007700	S.IC	BU4094BCF-T1
Q1	1560000960	S.FET	2SK2596BXTL
Q2	1530000790	TRANSISTOR	2SC1971
Q3	1530000800	TRANSISTOR	2SC1972
Q4	1530000800	TRANSISTOR	2SC1972
Q5	1530000880	TRANSISTOR	2SC2694
Q6	1530000880	TRANSISTOR	2SC2694
Q7	1540000200	TRANSISTOR	2SD1406 Y
Q9	1590001150	S.TRANSISTOR	UN9211(TX)
Q10	1530002060	S.TRANSISTOR	2SC4081 T107 R
Q11	1530002060	S.TRANSISTOR	2SC4081 T107 R
Q12	1520000650	S.TRANSISTOR	2SB1201-S-TL
Q13	1520000650	S.TRANSISTOR	2SB1201-S-TL
Q14	1590000680	S.TRANSISTOR	DTC114EUA T106
Q15	1590000680	S.TRANSISTOR	DTC114EUA T106
Q16	1590001330	S.TRANSISTOR	DTA114EUA T106
Q17	1590001330	S.TRANSISTOR	DTA114EUA T106
Q18	1590001330	S.TRANSISTOR	DTA114EUA T106
Q19	1590000680	S.TRANSISTOR	DTC114EUA T106
Q20	1590000680	S.TRANSISTOR	DTC114EUA T106
Q21	1590000680	S.TRANSISTOR	DTC114EUA T106
Q201	1530000880	TRANSISTOR	2SC2694
Q202	1530000880	TRANSISTOR	2SC2694
Q203	1540000200	TRANSISTOR	2SD1406 Y
Q204	1590000680	S.TRANSISTOR	DTC114EUA T106
Q205	1590001330	S.TRANSISTOR	DTA114EUA T106
Q602	1590000680	S.TRANSISTOR	DTC114EUA T106
Q604	1590001330	S.TRANSISTOR	DTA114EUA T106
Q605	1590000680	S.TRANSISTOR	DTC114EUA T106
D1	1790000720	DIODE	MA29W-B
D2	1790000710	VARIATOR	MA29B
D3	1790000710	VARIATOR	MA29B
D4	1790000700	DIODE	DSA3A1
D5	1790000700	DIODE	DSA3A1
D7	1160000140	S.DIODE	DAP222 TL
D8	1790000700	DIODE	DSA3A1
D9	1160000140	S.DIODE	DAP222 TL
D10	1710000970	DIODE	MA185
D11	1160000140	S.DIODE	DAP222 TL
D12	1730000840	S.ZENER	RD9.1M-T2B2
D13	1710000160	DIODE	1SS133
D201	1790000710	VARIATOR	MA29B
D202	1790000710	VARIATOR	MA29B
D601	1160000140	S.DIODE	DAP222 TL
D602	1720000360	S.DIODE	HSU88TRF
D603	1720000360	S.DIODE	HSU88TRF
D605	1750000450	S.DIODE	1SV265-TL
L1	6140002220	COIL	LR-270
L2	6200003260	S.COIL	NL 322522T-101J
L3	6140003070	COIL	LR-355
L4	6140002220	COIL	LR-270
L6	2040000490	COIL	EXC-ELDR25C
L7	6140003420	COIL	LR-384
L8	2040000490	COIL	EXC-ELDR25C
L10	6140003410	COIL	LR-383
L11	2040000490	COIL	EXC-ELDR25C
L12	2040000490	COIL	EXC-ELDR25C
L13	6140003040	COIL	LR-322B
L14	2040000490	COIL	EXC-ELDR25C
L15	2040000490	COIL	EXC-ELDR25C
L16	2040000490	COIL	EXC-ELDR25C
L17	6140000610	COIL	LR-83
L18	6140003350	COIL	LR-376
L19	6140002030	COIL	LR-230
L20	6110001730	COIL	LA-262
L21	6200003260	S.COIL	NL 322522T-101J
L22	2040000490	COIL	EXC-ELDR25C
L23	2040000490	COIL	EXC-ELDR25C
L201	6170000070	COIL	LW-9
L202	6110001740	COIL	LA-263
L203	6110001740	COIL	LA-263
L204	6110001360	COIL	LA-179

[PA UNIT]

REF NO.	ORDER NO.	DESCRIPTION	
L205	6170000340	COIL	LW-33
L206	6110002060	COIL	LA-300
L207	2040000490	COIL	EXC-ELDR25C
L501	6140002570	COIL	LR-294
L502	6140002580	COIL	LR-295
L503	6140001780	COIL	LR-214
L504	6140001800	COIL	LR-216
L505	6140001800	COIL	LR-216
L506	6140001800	COIL	LR-216
L507	6140002560	COIL	LR-293
L508	6140002560	COIL	LR-293
L509	6110002920	COIL	LA-481
L510	6110002910	COIL	LA-480
L511	6140003460	COIL	LR-388
L512	6140003460	COIL	LR-388
L513	6200003260	S.COIL	NL 322522T-101J
L515	6200003260	S.COIL	NL 322522T-101J
L517	6200003260	S.COIL	NL 322522T-101J
L518	6200001830	S.COIL	NL 322522T-100J
L519	6200003260	S.COIL	NL 322522T-101J
L521	6200001830	S.COIL	NL 322522T-100J
L522	6200001830	S.COIL	NL 322522T-100J
L523	6200001830	S.COIL	NL 322522T-100J
L524	6200001830	S.COIL	NL 322522T-100J
L528	6140002560	COIL	LR-293
L529	6110003540	COIL	LA-548
L530	6110003540	COIL	LA-548
L531	6110003550	COIL	LA-547
L532	6200001830	S.COIL	NL 322522T-100J
L533	6200001830	S.COIL	NL 322522T-100J
L534	6140003450	COIL	LR-387
L601	6110001340	COIL	LA-177
L602	6110001340	COIL	LA-177
L603	6110001330	COIL	LA-176
L604	6200004740	S.COIL	NL 252018T-1R2J
L605	6200004740	S.COIL	NL 252018T-1R2J
R1	7030003440	S.RESISTOR	ERJ3GEYJ 102 V (1 kΩ)
R2	7030003360	S.RESISTOR	ERJ3GEYJ 221 V (220 Ω)
R3	7030000140	S.RESISTOR	MCR10EZJH 10 Ω (100)
R4	7030003400	S.RESISTOR	ERJ3GEYJ 471 V (470 Ω)
R5	7030003390	S.RESISTOR	ERJ3GEYJ 391 V (390 Ω)
R6	7030003360	S.RESISTOR	ERJ3GEYJ 221 V (220 Ω)
R7	7030006210	S.RESISTOR	ERJ12YJ4R7H (4.7 Ω)
R8	7030003380	S.RESISTOR	ERJ3GEYJ 331 V (330 Ω)
R9	7030003400	S.RESISTOR	ERJ3GEYJ 471 V (470 Ω)
R11	7310003750	TRIMMER	EVN-2ACA00 B52 (501)
R12	7030003300	S.RESISTOR	ERJ3GEYJ 680 V (68 Ω)
R13	7030000260	S.RESISTOR	MCR10EZJH 100 Ω (101)
R14	7030000260	S.RESISTOR	MCR10EZJH 100 Ω (101)
R15	7070000870	RESISTOR	ERG2SJ 270
R16	7070000870	RESISTOR	ERG2SJ 270
R17	7070000511	RESISTOR	ERG1SJ 180 (18 Ω)
R18	7310003240	TRIMMER	EVN-2ACA00 B23 (202)
R19	7030003400	S.RESISTOR	ERJ3GEYJ 471 V (470 Ω)
R20	7030009310	S.RESISTOR	ERJ1WYJ2R2H (2.2 Ω)
R21	7030009310	S.RESISTOR	ERJ1WYJ2R2H (2.2 Ω)
R23	7030009310	S.RESISTOR	ERJ1WYJ2R2H (2.2 Ω)
R24	7030009310	S.RESISTOR	ERJ1WYJ2R2H (2.2 Ω)
R26	7030006060	S.RESISTOR	ERJ12YJ100H (10 Ω)
R27	7030006060	S.RESISTOR	ERJ12YJ100H (10 Ω)
R28	7100000640	RESISTOR	5 SI 0.012 Ω (J)
R29	7030003440	S.RESISTOR	ERJ3GEYJ 102 V (1 kΩ)
R31	7030003440	S.RESISTOR	ERJ3GEYJ 102 V (1 kΩ)
R32	7030007630	S.RESISTOR	MCR100JZHJ 0.68 Ω (R68)
R33	7030007630	S.RESISTOR	MCR100JZHJ 0.68 Ω (R68)
R34	7030007630	S.RESISTOR	MCR100JZHJ 0.68 Ω (R68)
R35	7030007630	S.RESISTOR	MCR100JZHJ 0.68 Ω (R68)
R38	7070000251	RESISTOR	ERX2SJ 4R7 (4.7 Ω)
R41	7030008000	S.RESISTOR	ERJ1WYJ3R3H (3.3 Ω)
R42	7030008000	S.RESISTOR	ERJ1WYJ3R3H (3.3 Ω)
R44	7070000681	RESISTOR	ERX3SJ 3R9 (3.9 Ω)
R45	7030006090	S.RESISTOR	RR0816P-272-D (2.7 kΩ)
R46	7030005320	S.RESISTOR	RR0816P-103-D (10 kΩ)
R47	7030005690	S.RESISTOR	RR0816P-123-D (12 kΩ)
R48	7030006460	S.RESISTOR	RR0816P-152-D (1.5 kΩ)
R49	7030003440	S.RESISTOR	ERJ3GEYJ 102 V (1 kΩ)
R50	7510001170	THERMISTOR	GA20-3U503JB
R51	7030006140	S.RESISTOR	ERJ1WYJ560H (56 Ω)
R52	7030006060	S.RESISTOR	ERJ12YJ100H (10 Ω)
R53	7030003440	S.RESISTOR	ERJ3GEYJ 102 V (1 kΩ)

S.=Surface mount

[PA UNIT]

REF NO.	ORDER NO.	DESCRIPTION
R54	7030003440	S.RESISTOR ERJ3GEYJ 102 V (1 kΩ)
R55	7030003560	S.RESISTOR ERJ3GEYJ 103 V (10 kΩ)
R56	7030003560	S.RESISTOR ERJ3GEYJ 103 V (10 kΩ)
R60	7030009490	S.RESISTOR ERJ1WYJ221H (220 Ω)
R61	7030003530	S.RESISTOR ERJ3GEYJ 562 V (5.6 kΩ)
R62	7030009260	S.RESISTOR ERJ1WYJ561H (560 Ω)
R63	7010007360	RESISTOR PSD1/4 220 Ω
R64	7030000370	S.RESISTOR MCR10EZHJ 820 Ω (821)
R65	7030003530	S.RESISTOR ERJ3GEYJ 562 V (5.6 kΩ)
R66	7030000020	S.RESISTOR MCR10EZHJ 1 Ω (010)
R67	7030000020	S.RESISTOR MCR10EZHJ 1 Ω (010)
R68	7030000020	S.RESISTOR MCR10EZHJ 1 Ω (010)
R69	7030000020	S.RESISTOR MCR10EZHJ 1 Ω (010)
R70	7030006180	S.RESISTOR ERJ1WYJ101H (100 Ω)
R201	7070000381	RESISTOR ERG2SJ 100 (10 Ω)
R202	7070000381	RESISTOR ERG2SJ 100 (10 Ω)
R203	7030003390	S.RESISTOR ERJ3GEYJ 391 V (390 Ω)
R204	7310003240	TRIMMER EVN-2ACA00 B23 (202)
R205	7030008190	S.RESISTOR ERJ12YJ330H (33 Ω)
R206	7510001170	THERMISTOR GA20-3U503JB
R207	7030008190	S.RESISTOR ERJ12YJ330H (33 Ω)
R208	7030008190	S.RESISTOR ERJ12YJ330H (33 Ω)
R401	7030003400	S.RESISTOR ERJ3GEYJ 471 V (470 Ω)
R402	7030003400	S.RESISTOR ERJ3GEYJ 471 V (470 Ω)
R403	7030003400	S.RESISTOR ERJ3GEYJ 471 V (470 Ω)
R404	7030003400	S.RESISTOR ERJ3GEYJ 471 V (470 Ω)
R501	7030003640	S.RESISTOR ERJ3GEYJ 473 V (47 kΩ)
R502	7010007350	RESISTOR PSD1/4 4.7 Ω
R601	7030000250	S.RESISTOR MCR10EZHJ 82 Ω (820)
R602	7030000250	S.RESISTOR MCR10EZHJ 82 Ω (820)
R603	7030003440	S.RESISTOR ERJ3GEYJ 102 V (1 kΩ)
R604	7030003530	S.RESISTOR ERJ3GEYJ 562 V (5.6 kΩ)
R605	7030003440	S.RESISTOR ERJ3GEYJ 102 V (1 kΩ)
R606	7030003530	S.RESISTOR ERJ3GEYJ 562 V (5.6 kΩ)
R614	7030000230	S.RESISTOR MCR10EZHJ 56 Ω (560)
R615	7030000230	S.RESISTOR MCR10EZHJ 56 Ω (560)
R616	7030000230	S.RESISTOR MCR10EZHJ 56 Ω (560)
R617	7030000220	S.RESISTOR MCR10EZHJ 47 Ω (470)
R618	7030000340	S.RESISTOR MCR10EZHJ 470 Ω (471)
R619	7030006260	S.RESISTOR ERJ12YJ471H (470 Ω)
R620	7030000260	S.RESISTOR MCR10EZHJ 100 Ω (101)
R621	7030003680	S.RESISTOR ERJ3GEYJ 104 V (100 kΩ)
R622	7030000230	S.RESISTOR MCR10EZHJ 56 Ω (560)
R701	7030003380	S.RESISTOR ERJ3GEYJ 331 V (330 Ω)
R702	7030003220	S.RESISTOR ERJ3GEYJ 150 V (15 Ω)
R703	7030003380	S.RESISTOR ERJ3GEYJ 331 V (330 Ω)
C1	4030011600	S.CERAMIC C1608 JB 1C 104KT-N
C2	4030006860	S.CERAMIC C1608 JB 1H 102K-T-A
C3	4030011600	S.CERAMIC C1608 JB 1C 104KT-N
C4	4030006860	S.CERAMIC C1608 JB 1H 102K-T-A
C5	4030011600	S.CERAMIC C1608 JB 1C 104KT-N
C6	4030011600	S.CERAMIC C1608 JB 1C 104KT-N
C7	4030006860	S.CERAMIC C1608 JB 1H 102K-T-A
C8	4030011600	S.CERAMIC C1608 JB 1C 104KT-N
C9	4030006860	S.CERAMIC C1608 JB 1H 102K-T-A
C10	4030006860	S.CERAMIC C1608 JB 1H 102K-T-A
C11	4030011600	S.CERAMIC C1608 JB 1C 104KT-N
C12	4030011600	S.CERAMIC C1608 JB 1C 104KT-N
C13	4030006860	S.CERAMIC C1608 JB 1H 102K-T-A
C14	4030008920	S.CERAMIC C1608 JB 1C 473K-T-A
C15	4030011600	S.CERAMIC C1608 JB 1C 104KT-N
C16	4030006860	S.CERAMIC C1608 JB 1H 102K-T-A
C17	4030010000	S.CERAMIC C1608 CH 1H 510J-T-A
C24	4030011600	S.CERAMIC C1608 JB 1C 104KT-N
C26	4030011510	S.CERAMIC GRM42-6 CH 560J 500PT
C28	4030011740	S.CERAMIC GRM42-2 CH 201J 500PT
C30	4030011600	S.CERAMIC C1608 JB 1C 104KT-N
C31	4030011780	S.CERAMIC GRM44-1 CH 622J 200PT
C32	4030011780	S.CERAMIC GRM44-1 CH 622J 200PT
C34	4030011740	S.CERAMIC GRM42-2 CH 201J 500PT
C36	4030011740	S.CERAMIC GRM42-2 CH 201J 500PT
C37	4320001070	S.MICA UC342H 3300J-T
C38	4320001070	S.MICA UC342H 3300J-T
C39	4510004600	ELECTROLYTIC 16 MV 1000 HC
C40	4510004600	ELECTROLYTIC 16 MV 1000 HC
C41	4030011600	S.CERAMIC C1608 JB 1C 104KT-N
C42	4030006880	S.CERAMIC C1608 JB 1H 472K-T-A
C43	4030006880	S.CERAMIC C1608 JB 1H 472K-T-A
C44	4030006880	S.CERAMIC C1608 JB 1H 472K-T-A
C45	4030005110	S.CERAMIC C2012 JB 1E 473K-T-A

[PA UNIT]

REF NO.	ORDER NO.	DESCRIPTION
C46	4510004600	ELECTROLYTIC 16 MV 1000 HC
C47	4030011600	S.CERAMIC C1608 JB 1C 104KT-N
C48	4030011600	S.CERAMIC C1608 JB 1C 104KT-N
C49	4510004640	S.ELECTROLYTIC ECEV1CA470SP
C50	4040000690	BARRIERLAY UAT 08X 473K
C51	4040000690	BARRIERLAY UAT 08X 473K
C52	4030011600	S.CERAMIC C1608 JB 1C 104KT-N
C53	4010006880	CERAMIC HE50SJ YB 102K 50V
C54	4510004640	S.ELECTROLYTIC ECEV1CA470SP
C55	4510004590	ELECTROLYTIC 16 MV 470 HC
C56	4030006880	S.CERAMIC C1608 JB 1H 472K-T-A
C57	4510005000	ELECTROLYTIC 16 MV 220 HC
C58	4030006880	S.CERAMIC C1608 JB 1H 472K-T-A
C59	4030011600	S.CERAMIC C1608 JB 1C 104KT-N
C60	4030006880	S.CERAMIC C1608 JB 1H 472K-T-A
C62	4030006880	S.CERAMIC C1608 JB 1H 472K-T-A
C63	4030006880	S.CERAMIC C1608 JB 1H 472K-T-A
C64	4030006880	S.CERAMIC C1608 JB 1H 472K-T-A
C65	4510006220	S.ELECTROLYTIC ECEV1CA101UP
C66	4030011600	S.CERAMIC C1608 JB 1C 104KT-N
C67	4030011600	S.CERAMIC C1608 JB 1C 104KT-N
C68	4510006220	S.ELECTROLYTIC ECEV1CA101UP
C69	4510004630	S.ELECTROLYTIC ECEV1CA100SR
C70	4030011600	S.CERAMIC C1608 JB 1C 104KT-N
C71	4030011600	S.CERAMIC C1608 JB 1C 104KT-N
C72	4510004630	S.ELECTROLYTIC ECEV1CA100SR
C73	4030006880	S.CERAMIC C1608 JB 1H 472K-T-A
C74	4510004630	S.ELECTROLYTIC ECEV1CA100SR
C75	4030011600	S.CERAMIC C1608 JB 1C 104KT-N
C76	4030011600	S.CERAMIC C1608 JB 1C 104KT-N
C77	4510004630	S.ELECTROLYTIC ECEV1CA100SR
C78	4030011600	S.CERAMIC C1608 JB 1C 104KT-N
C79	4030011600	S.CERAMIC C1608 JB 1C 104KT-N
C80	4030006880	S.CERAMIC C1608 JB 1H 472K-T-A
C81	4030006880	S.CERAMIC C1608 JB 1H 472K-T-A
C82	4030006880	S.CERAMIC C1608 JB 1H 472K-T-A
C83	4030006880	S.CERAMIC C1608 JB 1H 472K-T-A
C84	4030006880	S.CERAMIC C1608 JB 1H 472K-T-A
C85	4030006880	S.CERAMIC C1608 JB 1H 472K-T-A
C86	4030006880	S.CERAMIC C1608 JB 1H 472K-T-A
C87	4030006880	S.CERAMIC C1608 JB 1H 472K-T-A
C88	4030006880	S.CERAMIC C1608 JB 1H 472K-T-A
C89	4030006880	S.CERAMIC C1608 JB 1H 472K-T-A
C90	4030006880	S.CERAMIC C1608 JB 1H 472K-T-A
C91	4030006880	S.CERAMIC C1608 JB 1H 472K-T-A
C92	4510004600	ELECTROLYTIC 16 MV 1000 HC
C96	4030006480	S.CERAMIC GRM42-6 B 104K 50PT
C97	4030006480	S.CERAMIC GRM42-6 B 104K 50PT
C98	4030010760	S.CERAMIC C1608 CH 1H 331J-T-A
C99	4030011210	S.CERAMIC GRM42-6 CH 330J 500PT
C100	4030011740	S.CERAMIC GRM42-2 CH 201J 500PT
C101	4030007080	S.CERAMIC C1608 CH 1H 390J-T-A
C102	4030007170	S.CERAMIC C1608 CH 1H 221J-T-A
C103	4030007170	S.CERAMIC C1608 CH 1H 221J-T-A
C105	4030011740	S.CERAMIC GRM42-2 CH 201J 500PT
C106	4030011740	S.CERAMIC GRM42-2 CH 201J 500PT
C107	4030011600	S.CERAMIC C1608 JB 1C 104KT-N
C108	4510003910	ELECTROLYTIC 16 MV 47 HW
C109	4030007010	S.CERAMIC C1608 CH 1H 100D-T-A
C201	4030011290	S.CERAMIC GRM42-6 CH 240J 500PT
C202	4610001950	TRIMMER CV01D700
C203	4030011120	S.CERAMIC GRM42-6 CH 100D 500PT
C208	4030001310	S.MICA UC342H 2000J-T
C210	4030011120	S.CERAMIC GRM42-6 CH 100D 500PT
C211	4030001270	S.MICA UC232H 0470F-T
C212	4030011120	S.CERAMIC GRM42-6 CH 100D 500PT
C213	4030008920	S.CERAMIC C1608 JB 1C 473K-T-A
C214	4030007170	S.CERAMIC C1608 CH 1H 221J-T-A
C215	4030007170	S.CERAMIC C1608 CH 1H 221J-T-A
C216	4030007170	S.CERAMIC C1608 CH 1H 221J-T-A
C217	4510004640	S.ELECTROLYTIC ECEV1CA470SP
C218	4010006880	CERAMIC HE50SJ YB 102K 50V
C219	4010006880	CERAMIC HE50SJ YB 102K 50V
C220	4030008920	S.CERAMIC C1608 JB 1C 473K-T-A
C221	4030007170	S.CERAMIC C1608 CH 1H 221J-T-A
C222	4510004640	S.ELECTROLYTIC ECEV1CA470SP
C223	4030011550	S.CERAMIC GRM42-6 CH 680J 500PT
C224	4030011550	S.CERAMIC GRM42-6 CH 680J 500PT
C225	4030011550	S.CERAMIC GRM42-6 CH 680J 500PT
C226	4030011550	S.CERAMIC GRM42-6 CH 680J 500PT
C227	4030011170	S.CERAMIC GRM42-6 CH 180J 500PT
C228	4030011550	S.CERAMIC GRM42-6 CH 680J 500PT

S.=Surface mount

[PA UNIT]

REF NO.	ORDER NO.	DESCRIPTION
C229	4030011550	S.CERAMIC GRM42-6 CH 680J 500PT
C230	4030011550	S.CERAMIC GRM42-6 CH 680J 500PT
C231	4030011550	S.CERAMIC GRM42-6 CH 680J 500PT
C232	4030011170	S.CERAMIC GRM42-6 CH 180J 500PT
C233	4030011180	S.CERAMIC GRM42-6 CH 220J 500PT
C234	4030011290	S.CERAMIC GRM42-6 CH 240J 500PT
C235	4030011180	S.CERAMIC GRM42-6 CH 220J 500PT
C236	4030006860	S.CERAMIC C1608 JB 1H 102K-T-A
C237	4030011120	S.CERAMIC GRM42-6 CH 100D 500PT
C238	4030011040	S.CERAMIC GRM42-6 CK 020C 500PT
C239	4030011040	S.CERAMIC GRM42-6 CK 020C 500PT
C240	4030011020	S.CERAMIC GRM42-6 CK 010C 500PT
C241	4030009590	S.CERAMIC C2012 JF 1C 225Z-T-A
C242	4030011120	S.CERAMIC GRM42-6 CH 100D 500PT
C401	4030007090	S.CERAMIC C1608 CH 1H 470J-T-A
C402	4030007090	S.CERAMIC C1608 CH 1H 470J-T-A
C403	4030007090	S.CERAMIC C1608 CH 1H 470J-T-A
C404	4030007090	S.CERAMIC C1608 CH 1H 470J-T-A
C502	4010008260	CERAMIC HM74TJ SL 151J 500V
C503	4010005370	CERAMIC HM11SJ SL 331J 500V
C505	4010008250	CERAMIC HM74TJ SL 121J 500V
C507	4010005930	CERAMIC HM11SJ SL 391J 500V
C508	4010008290	CERAMIC HM95TJ SL 271J 500V
C510	4010005810	CERAMIC HM74SJ SL 111J 500V
C512	4010008160	CERAMIC HM13SJ SL 431J 500V
C513	4010008330	CERAMIC HM60TJ SL 330J 500V
C514	4010005370	CERAMIC HM11SJ SL 331J 500V
C515	4010005930	CERAMIC HM11SJ SL 391J 500V
C516	4010008240	CERAMIC HM60TJ SL 101J 500V
C517	4010008290	CERAMIC HM95TJ SL 271J 500V
C518	4010008240	CERAMIC HM60TJ SL 101J 500V
C520	4010005370	CERAMIC HM11SJ SL 331J 500V
C521	4010008290	CERAMIC HM95TJ SL 271J 500V
C522	4010008350	CERAMIC HM60TJ SL 220J 500V
C523	4010005370	CERAMIC HM11SJ SL 331J 500V
C524	4010005370	CERAMIC HM11SJ SL 331J 500V
C525	4010005370	CERAMIC HM11SJ SL 331J 500V
C528	4010008250	CERAMIC HM74TJ SL 121J 500V
C530	4010005810	CERAMIC HM74SJ SL 111J 500V
C531	4010008260	CERAMIC HM74TJ SL 151J 500V
C532	4010008230	CERAMIC HM60TJ SL 820J 500V
C533	4010008360	CERAMIC HM60TJ SL 180J 500V
C534	4010008280	CERAMIC HM95TJ SL 221J 500V
C535	4010008320	CERAMIC HM60TJ SL 390J 500V
C536	4010008230	CERAMIC HM60TJ SL 820J 500V
C537	4010008260	CERAMIC HM74TJ SL 151J 500V
C538	4010005580	CERAMIC HM60SJ SL 070D 500V
C539	4010008260	CERAMIC HM74TJ SL 151J 500V
C540	4010008350	CERAMIC HM60TJ SL 220J 500V
C541	4010008210	CERAMIC HM60TJ SL 560J 500V
C542	4030006880	S.CERAMIC C1608 JB 1H 472K-T-A
C543	4030006880	S.CERAMIC C1608 JB 1H 472K-T-A
C544	4030006880	S.CERAMIC C1608 JB 1H 472K-T-A
C545	4030006880	S.CERAMIC C1608 JB 1H 472K-T-A
C546	4030006880	S.CERAMIC C1608 JB 1H 472K-T-A
C547	4030006880	S.CERAMIC C1608 JB 1H 472K-T-A
C548	4030006880	S.CERAMIC C1608 JB 1H 472K-T-A
C549	4030006880	S.CERAMIC C1608 JB 1H 472K-T-A
C550	4030006880	S.CERAMIC C1608 JB 1H 472K-T-A
C551	4030006880	S.CERAMIC C1608 JB 1H 472K-T-A
C552	4030006880	S.CERAMIC C1608 JB 1H 472K-T-A
C553	4030006880	S.CERAMIC C1608 JB 1H 472K-T-A
C554	4010007590	CERAMIC HM15SJ SL 681J 500V
C555	4010008390	CERAMIC HM60TJ SL 100D 500V
C557	4010008250	CERAMIC HM74TJ SL 121J 500V
C558	4010008250	CERAMIC HM74TJ SL 121J 500V
C559	4010008420	CERAMIC HM60TJ SL 020C 500V
C560	4010008310	CERAMIC HM60TJ SL 470J 500V
C561	4010008340	CERAMIC HM60TJ SL 270J 500V
C562	4010008360	CERAMIC HM60TJ SL 180J 500V
C563	4010008210	CERAMIC HM60TJ SL 560J 500V
C565	4010008230	CERAMIC HM60TJ SL 820J 500V
C566	4010005370	CERAMIC HM11SJ SL 331J 500V
C567	4010008290	CERAMIC HM95TJ SL 271J 500V
C568	4010008290	CERAMIC HM95TJ SL 271J 500V
C569	4010008250	CERAMIC HM74TJ SL 121J 500V
C572	4010005370	CERAMIC HM11SJ SL 331J 500V
C573	4010005930	CERAMIC HM11SJ SL 391J 500V
C574	4010007590	CERAMIC HM15SJ SL 681J 500V
C575	4010007590	CERAMIC HM15SJ SL 681J 500V
C577	4010008350	CERAMIC HM60TJ SL 220J 500V
C578	4010008220	CERAMIC HM60TJ SL 680J 500V

[PA UNIT]

REF NO.	ORDER NO.	DESCRIPTION
C581	4010008230	CERAMIC HM60TJ SL 820J 500V
C582	4010008350	CERAMIC HM60TJ SL 220J 500V
C583	4010008390	CERAMIC HM60TJ SL 100D 500V
C585	4010005650	CERAMIC HM60SJ SL 200J 500V
C586	4010008330	CERAMIC HM60TJ SL 330J 500V
C587	4030006880	S.CERAMIC C1608 JB 1H 472K-T-A
C588	4030006880	S.CERAMIC C1608 JB 1H 472K-T-A
C589	4010008320	CERAMIC HM60TJ SL 390J 500V
C590	4010008340	CERAMIC HM60TJ SL 270J 500V
C597	4010007490	CERAMIC HM15SJ SL 561J 500V
C598	4010007590	CERAMIC HM15SJ SL 681J 500V
C599	4010007490	CERAMIC HM15SJ SL 561J 500V
C601	4030006860	S.CERAMIC C1608 JB 1H 102K-T-A
C602	4010005640	CERAMIC HM60SJ SL 180J 500V
C603	4010008360	CERAMIC HM60TJ SL 180J 500V
C604	4010005510	CERAMIC HM60SJ SL 0R5C 500V
C605	4010005700	CERAMIC HM60SJ SL 330J 500V
C606	4010005540	CERAMIC HM60SJ SL 030C 500V
C607	4010005680	CERAMIC HM60SJ SL 270J 500V
C608	4010005610	CERAMIC HM60SJ SL 100D 500V
C609	4010005640	CERAMIC HM60SJ SL 180J 500V
C610	4010005790	CERAMIC HM60SJ YB 102K 500V
C611	4030007170	S.CERAMIC C1608 CH 1H 221J-T-A
C612	4030007170	S.CERAMIC C1608 CH 1H 221J-T-A
C613	4030007170	S.CERAMIC C1608 CH 1H 221J-T-A
C614	4030007170	S.CERAMIC C1608 CH 1H 221J-T-A
C616	4030006860	S.CERAMIC C1608 JB 1H 102K-T-A
C618	4030011600	S.CERAMIC C1608 JB 1C 104KT-N
C620	4030011600	S.CERAMIC C1608 JB 1C 104KT-N
C621	4030006860	S.CERAMIC C1608 JB 1H 102K-T-A
C622	4030006860	S.CERAMIC C1608 JB 1H 102K-T-A
C623	4030006860	S.CERAMIC C1608 JB 1H 102K-T-A
C624	4030006880	S.CERAMIC C1608 JB 1H 472K-T-A
C625	4030006880	S.CERAMIC C1608 JB 1H 472K-T-A
C626	4030006880	S.CERAMIC C1608 JB 1H 472K-T-A
C627	4030006880	S.CERAMIC C1608 JB 1H 472K-T-A
C1061	4510004630	S.ELECTROLYTIC ECEV1CA100SR
RL1	6330001510	RELAY TB1-160
RL2	6330001430	RELAY NA-12W-K
RL501	6330001510	RELAY TB1-160
RL502	6330001510	RELAY TB1-160
RL503	6330001510	RELAY TB1-160
RL504	6330001510	RELAY TB1-160
RL505	6330001510	RELAY TB1-160
RL506	6330001510	RELAY TB1-160
RL507	6330001510	RELAY TB1-160
RL508	6330001510	RELAY TB1-160
RL509	6330001510	RELAY TB1-160
RL510	6330001510	RELAY TB1-160
RL511	6330001510	RELAY TB1-160
RL512	6330001510	RELAY TB1-160
RL513	6330001330	RELAY AG 201344
RL514	6330001330	RELAY AG 201344
RL601	6330001530	RELAY NR-HD(5V) AE5349
F1	5210000060	FUSE FGB 5A
F2	5220000230	HOLDER S-N5054
F3	5220000230	HOLDER S-N5054
J5	6510020000	S.CONNECTOR 52808-3090
J6	6510018960	S.CONNECTOR B2B-PH-SM3-TB
J10	6510003080	CONNECTOR RT01T-1.0B
W1	7030003860	S.JUMPER ERJ3GE JPW V
W3	7030003860	S.JUMPER ERJ3GE JPW V
W4	7030003860	S.JUMPER ERJ3GE JPW V
W5	7030003860	S.JUMPER ERJ3GE JPW V
W504	7030003860	S.JUMPER ERJ3GE JPW V
W506	7030003860	S.JUMPER ERJ3GE JPW V
W507	7030003860	S.JUMPER ERJ3GE JPW V
W601	7120000010	JUMPER JPW 02A
W602	7120000010	JUMPER JPW 02A
EP1	0910049447	PCB B 5084G
EP2	6910000610	BEAD FSOH050RN01
EP3	6910000610	BEAD FSOH050RN01

S.=Surface mount

[PA UNIT]

REF NO.	ORDER NO.	DESCRIPTION	
EP6	6910011330	TERMINAL	OT-009 M3
EP7	6910011330	TERMINAL	OT-009 M3
EP8	9097500010	TUBE	IRRAX 1.5 (d) L=8 mm
EP9	9097500010	TUBE	IRRAX 1.5 (d) L=8 mm
EP10	9011530420	TUBE	IRRAX 1.5 (d) L=15 mm
EP11	9049594901	TUBE	IRRAX 0.8 (d) L=12 mm
EP12	9049594901	TUBE	IRRAX 0.8 (d) L=12 mm
EP13	9029406901	TUBE	IRRAX 0.8 (d) L=10 mm
EP14	9029401901	TUBE	IRRAX 0.8 (d) L=7 mm
EP15	9029406901	TUBE	IRRAX 0.8 (d) L=10 mm
EP16	9029406901	TUBE	IRRAX 0.8 (d) L=10 mm
EP17	6910000600	BEAD	FSOH050RN
EP201	6910000600	BEAD	FSOH050RN
EP202	6910000600	BEAD	FSOH050RN

[TUNER UNIT]

REF NO.	ORDER NO.	DESCRIPTION	
C16	4030006880	S.CERAMIC	C1608 JB 1H 472K-T-A
C17	4030006880	S.CERAMIC	C1608 JB 1H 472K-T-A
C18	4030006880	S.CERAMIC	C1608 JB 1H 472K-T-A
C19	4030006880	S.CERAMIC	C1608 JB 1H 472K-T-A
C20	4030006880	S.CERAMIC	C1608 JB 1H 472K-T-A
C21	4030006880	S.CERAMIC	C1608 JB 1H 472K-T-A
C22	4030006880	S.CERAMIC	C1608 JB 1H 472K-T-A
C23	4030006880	S.CERAMIC	C1608 JB 1H 472K-T-A
C24	4030006880	S.CERAMIC	C1608 JB 1H 472K-T-A
C25	4030006880	S.CERAMIC	C1608 JB 1H 472K-T-A
C26	4030006880	S.CERAMIC	C1608 JB 1H 472K-T-A
C27	4030006880	S.CERAMIC	C1608 JB 1H 472K-T-A
C28	4030006880	S.CERAMIC	C1608 JB 1H 472K-T-A
C29	4030006880	S.CERAMIC	C1608 JB 1H 472K-T-A
C30	4030006880	S.CERAMIC	C1608 JB 1H 472K-T-A
C31	4030006880	S.CERAMIC	C1608 JB 1H 472K-T-A
C32	4030006880	S.CERAMIC	C1608 JB 1H 472K-T-A
C33	4030006880	S.CERAMIC	C1608 JB 1H 472K-T-A
C34	4010005070	CERAMIC	DE0707 SL 390J 3KV
C35	4010005070	CERAMIC	DE0707 SL 390J 3KV
C36	4010004260	CERAMIC	DE0907 SL 820J 3KV
C37	4010004250	CERAMIC	DE1007 SL 101J 3KV
C38	4010004280	CERAMIC	DE1207 SL 151J 3KV
C39	4010004280	CERAMIC	DE1207 SL 151J 3KV
C40	4010004250	CERAMIC	DE1007 SL 101J 3KV
C41	4010004250	CERAMIC	DE1007 SL 101J 3KV
C42	4010004250	CERAMIC	DE1007 SL 101J 3KV
C43	4010004250	CERAMIC	DE1007 SL 101J 3KV
C44	4620000110	VARIABLE	UV35 150P
C45	4620000110	VARIABLE	UV35 150P
C46	4030006880	S.CERAMIC	C1608 JB 1H 472K-T-A
C47	4030006880	S.CERAMIC	C1608 JB 1H 472K-T-A
C48	4030006880	S.CERAMIC	C1608 JB 1H 472K-T-A
C49	4030006880	S.CERAMIC	C1608 JB 1H 472K-T-A
C50	4030006880	S.CERAMIC	C1608 JB 1H 472K-T-A
C51	4030006880	S.CERAMIC	C1608 JB 1H 472K-T-A
C52	4030006880	S.CERAMIC	C1608 JB 1H 472K-T-A
C53	4030006880	S.CERAMIC	C1608 JB 1H 472K-T-A
C55	4030006880	S.CERAMIC	C1608 JB 1H 472K-T-A
C56	4030006880	S.CERAMIC	C1608 JB 1H 472K-T-A
C57	4030006880	S.CERAMIC	C1608 JB 1H 472K-T-A
C58	4030006880	S.CERAMIC	C1608 JB 1H 472K-T-A
C59	4030006880	S.CERAMIC	C1608 JB 1H 472K-T-A
C60	4030006880	S.CERAMIC	C1608 JB 1H 472K-T-A
C61	4030006880	S.CERAMIC	C1608 JB 1H 472K-T-A
C62	4030005040	S.CERAMIC	C2012 CH 1H 271J-T-A
RL1	6330001110	RELAY	NY-12W-K
RL2	6330001110	RELAY	NY-12W-K
RL3	6330001110	RELAY	NY-12W-K
RL4	6330001520	RELAY	VE-12HM-K
RL5	6330001520	RELAY	VE-12HM-K
RL6	6330001520	RELAY	VE-12HM-K
RL7	6330001520	RELAY	VE-12HM-K
RL8	6330001520	RELAY	VE-12HM-K
RL9	6330001520	RELAY	VE-12HM-K
RL10	6330001110	RELAY	NY-12W-K
RL11	6330001110	RELAY	NY-12W-K
RL12	6330001110	RELAY	NY-12W-K
RL13	6330001110	RELAY	NY-12W-K
RL14	6330001110	RELAY	NY-12W-K
RL15	6330001110	RELAY	NY-12W-K
MF1	2710000460	MOTOR	MP28GA
MF2	2710000460	MOTOR	MP28GA
J1	6510003100	CONNECTOR	RT01T-1.3B
J2	6510003100	CONNECTOR	RT01T-1.3B
J5	6510019990	S.CONNECTOR	52808-2290
WS1	8970022710	CABLE	COAXIAL 1.5 (d) (2)/TU
EP1	09100049455	PCB	B 5085E
C1	4030006880	S.CERAMIC	C1608 JB 1H 472K-T-A
C2	4030006880	S.CERAMIC	C1608 JB 1H 472K-T-A
C3	4030006880	S.CERAMIC	C1608 JB 1H 472K-T-A
C4	4030006880	S.CERAMIC	C1608 JB 1H 472K-T-A
C5	4030006880	S.CERAMIC	C1608 JB 1H 472K-T-A
C6	4030006880	S.CERAMIC	C1608 JB 1H 472K-T-A
C7	4030006880	S.CERAMIC	C1608 JB 1H 472K-T-A
C8	4030006880	S.CERAMIC	C1608 JB 1H 472K-T-A
C11	4030006880	S.CERAMIC	C1608 JB 1H 472K-T-A
C12	4030006880	S.CERAMIC	C1608 JB 1H 472K-T-A
C13	4030006880	S.CERAMIC	C1608 JB 1H 472K-T-A
C14	4030006880	S.CERAMIC	C1608 JB 1H 472K-T-A
C15	4030006880	S.CERAMIC	C1608 JB 1H 472K-T-A

[TUNER UNIT]

REF NO.	ORDER NO.	DESCRIPTION	
Q1	1590000680	S.TRANSISTOR	DTC114EUA T106
Q2	1590000680	S.TRANSISTOR	DTC114EUA T106
Q3	1590000680	S.TRANSISTOR	DTC114EUA T106
Q4	1590000680	S.TRANSISTOR	DTC114EUA T106
Q5	1590000680	S.TRANSISTOR	DTC114EUA T106
Q6	1590000680	S.TRANSISTOR	DTC114EUA T106
Q7	1590000680	S.TRANSISTOR	DTC114EUA T106
Q8	1590000680	S.TRANSISTOR	DTC114EUA T106
Q9	1590000680	S.TRANSISTOR	DTC114EUA T106
Q10	1590000680	S.TRANSISTOR	DTC114EUA T106
Q11	1590000680	S.TRANSISTOR	DTC114EUA T106
Q12	1590000680	S.TRANSISTOR	DTC114EUA T106
Q13	1590000680	S.TRANSISTOR	DTC114EUA T106
Q14	1590000680	S.TRANSISTOR	DTC114EUA T106
Q15	1590000680	S.TRANSISTOR	DTC114EUA T106
D1	1750000370	S.DIODE	DA221 TL
D2	1750000370	S.DIODE	DA221 TL
D3	1750000370	S.DIODE	DA221 TL
D4	1750000370	S.DIODE	DA221 TL
D5	1750000370	S.DIODE	DA221 TL
D6	1750000370	S.DIODE	DA221 TL
D7	1750000370	S.DIODE	DA221 TL
D8	1750000370	S.DIODE	DA221 TL
D9	1750000370	S.DIODE	DA221 TL
D10	1750000370	S.DIODE	DA221 TL
D11	1750000370	S.DIODE	DA221 TL
D12	1750000370	S.DIODE	DA221 TL
D13	1750000370	S.DIODE	DA221 TL
D14	1750000370	S.DIODE	DA221 TL
D15	1750000370	S.DIODE	DA221 TL
L1	6200003950	S.COIL	HF50ACC 322513-T
L3	6110003010	COIL	LA-488
L4	6110003030	COIL	LA-490
L5	6110003020	COIL	LA-489
L6	6110003030	COIL	LA-490
L7	6110003020	COIL	LA-489
L8	6110003030	COIL	LA-490
L9	6110003480	COIL	LA-536
L11	6110003480	COIL	LA-536
L12	6110003480	COIL	LA-536

S.=Surface mount

[CTRL UNIT]

REF NO.	ORDER NO.	DESCRIPTION	
CP7	6910009670	S.CHECK P	HK3-S-T
IC1	1110000960	S.IC	NJM4558M-T1
IC2	1120002250	S.IC	TC74ACT32F
IC3	1120002240	S.IC	TC74AC112F
IC4	1110000960	S.IC	NJM4558M-T1
IC5	1140004120	S.IC	M38022M2-138FP
IC6	1140003610	S.IC	X24C04S8-2.7T6
IC7	1110004510	S.IC	TD62597AFN(EL)
IC9	1110002690	S.IC	NJM2903M-T1
IC10	1130003920	S.IC	TC4S69F (TE85R)
IC13	1180001070	S.IC	TA7805F(TE16L)
IC14	1120002300	S.IC	TC74AC04F
Q5	1560000870	S.FET	2SK515-T1B (X33)
Q12	1590000680	S.TRANSISTOR	DTC114EUA T106
Q14	1590000680	S.TRANSISTOR	DTC114EUA T106
Q16	1590000680	S.TRANSISTOR	DTC114EUA T106
Q21	1590000680	S.TRANSISTOR	DTC114EUA T106
Q23	1590000680	S.TRANSISTOR	DTC114EUA T106
Q24	1590001330	S.TRANSISTOR	DTA114EUA T106
Q25	1530003090	S.TRANSISTOR	2SC4213-B (TE85R)
D1	1790000490	S.DIODE	HSM88AS-TR
D2	1790000490	S.DIODE	HSM88AS-TR
D3	1750000200	S.DIODE	1SS319 (TE85R)
D4	1750000120	S.DIODE	DWA010-TE
D5	1790000690	S.DIODE	HSM88ASR-TR
D6	1790000490	S.DIODE	HSM88AS-TR
D7	1790000490	S.DIODE	HSM88AS-TR
D8	1790000490	S.DIODE	HSM88AS-TR
D9	1790000490	S.DIODE	HSM88AS-TR
D10	1750000120	S.DIODE	DWA010-TE
D11	1730000410	S.ZENER	RD5.1M-T2B2
D12	1730000030	S.ZENER	RD5.6M-T2B2
D13	1710000780	S.DIODE	MA114(TX)
D15	1790000490	S.DIODE	HSM88AS-TR
D16	1750000370	S.DIODE	DA221 TL
D17	1750000370	S.DIODE	DA221 TL
D18	1750000370	S.DIODE	DA221 TL
D20	1750000370	S.DIODE	DA221 TL
D22	1790000620	S.DIODE	MA77(TX)
D23	1790000490	S.DIODE	HSM88AS-TR
X1	6050009890	S.CRYSTAL	CR-569 (6.144 MHz)
L1	6140003270	COIL	LR-364
L2	6200001830	S.COIL	NL 322522T-100J
L3	6200003260	S.COIL	NL 322522T-101J
L4	6140003270	COIL	LR-364
L5	6180001220	COIL	LAL 04NA 100K
L8	6140003270	COIL	LR-364
L9	6180000450	COIL	RFC L6 222K
L10	6200003260	S.COIL	NL 322522T-101J
L11	6200003260	S.COIL	NL 322522T-101J
L13	6180000990	COIL	LAL 04NA 101K
L22	6140003270	COIL	LR-364
L25	6200003260	S.COIL	NL 322522T-101J
L27	6110001640	COIL	LA-247
L28	6110001570	COIL	LA-237
L29	6200003950	S.COIL	HF50ACC 322513-T
L31	6200003950	S.COIL	HF50ACC 322513-T
L32	6200003950	S.COIL	HF50ACC 322513-T
R1	7030001040	S.RESISTOR	MCR50JZHJ 18 Ω (180)
R2	7030001040	S.RESISTOR	MCR50JZHJ 18 Ω (180)
R3	7030003560	S.RESISTOR	ERJ3GEYJ 103 V (10 kΩ)
R4	7030003560	S.RESISTOR	ERJ3GEYJ 103 V (10 kΩ)
R5	7030003720	S.RESISTOR	ERJ3GEYJ 224 V (220 kΩ)
R6	7030003720	S.RESISTOR	ERJ3GEYJ 224 V (220 kΩ)
R7	7030003720	S.RESISTOR	ERJ3GEYJ 224 V (220 kΩ)
R8	7030003720	S.RESISTOR	ERJ3GEYJ 224 V (220 kΩ)
R9	7030003800	S.RESISTOR	ERJ3GEYJ 105 V (1 MΩ)
R10	7030003790	S.RESISTOR	ERJ3GEYJ 824 V (820 kΩ)
R13	7030003440	S.RESISTOR	ERJ3GEYJ 102 V (1 kΩ)
R14	7030003440	S.RESISTOR	ERJ3GEYJ 102 V (1 kΩ)

[CTRL UNIT]

REF NO.	ORDER NO.	DESCRIPTION	
R15	7030003320	S.RESISTOR	ERJ3GEYJ 101 V (100 Ω)
R16	7030006540	S.RESISTOR	ERJ1WYJ330H (33 Ω)
R17	7030003320	S.RESISTOR	ERJ3GEYJ 101 V (100 Ω)
R26	7030003280	S.RESISTOR	ERJ3GEYJ 470 V (47 Ω)
R27	7030003280	S.RESISTOR	ERJ3GEYJ 470 V (47 Ω)
R28	7030003500	S.RESISTOR	ERJ3GEYJ 332 V (3.3 kΩ)
R29	7030003480	S.RESISTOR	ERJ3GEYJ 222 V (2.2 kΩ)
R30	7030003360	S.RESISTOR	ERJ3GEYJ 221 V (220 Ω)
R31	7030003480	S.RESISTOR	ERJ3GEYJ 222 V (2.2 kΩ)
R32	7030003680	S.RESISTOR	ERJ3GEYJ 104 V (100 kΩ)
R33	7030003530	S.RESISTOR	ERJ3GEYJ 562 V (5.6 kΩ)
R34	7030003530	S.RESISTOR	ERJ3GEYJ 562 V (5.6 kΩ)
R35	7030003670	S.RESISTOR	ERJ3GEYJ 823 V (82 kΩ)
R36	7030003820	S.RESISTOR	ERJ3GEYJ 155 V (1.5 MΩ)
R37	7030003560	S.RESISTOR	ERJ3GEYJ 103 V (10 kΩ)
R38	7030003560	S.RESISTOR	ERJ3GEYJ 103 V (10 kΩ)
R39	7030003680	S.RESISTOR	ERJ3GEYJ 104 V (100 kΩ)
R40	7030003680	S.RESISTOR	ERJ3GEYJ 104 V (100 kΩ)
R41	7030008040	S.RESISTOR	ERJ1WYJ820H (82 Ω)
R42	7030003560	S.RESISTOR	ERJ3GEYJ 103 V (10 kΩ)
R43	7030003560	S.RESISTOR	ERJ3GEYJ 103 V (10 kΩ)
R44	7030003800	S.RESISTOR	ERJ3GEYJ 105 V (1 MΩ)
R45	7030003560	S.RESISTOR	ERJ3GEYJ 103 V (10 kΩ)
R46	7030003520	S.RESISTOR	ERJ3GEYJ 472 V (4.7 kΩ)
R47	7030003440	S.RESISTOR	ERJ3GEYJ 102 V (1 kΩ)
R48	7030003560	S.RESISTOR	ERJ3GEYJ 103 V (10 kΩ)
R49	7030003680	S.RESISTOR	ERJ3GEYJ 104 V (100 kΩ)
R50	7030003540	S.RESISTOR	ERJ3GEYJ 682 V (6.8 kΩ)
R51	7030003530	S.RESISTOR	ERJ3GEYJ 562 V (5.6 kΩ)
R52	7030003680	S.RESISTOR	ERJ3GEYJ 104 V (100 kΩ)
R53	7030003820	S.RESISTOR	ERJ3GEYJ 155 V (1.5 MΩ)
R54	7030003560	S.RESISTOR	ERJ3GEYJ 103 V (10 kΩ)
R55	7030003560	S.RESISTOR	ERJ3GEYJ 103 V (10 kΩ)
R56	7030003680	S.RESISTOR	ERJ3GEYJ 104 V (100 kΩ)
R57	7030003680	S.RESISTOR	ERJ3GEYJ 104 V (100 kΩ)
R58	7540000130	ABSORBER	2P-50A-301
R59	7030003560	S.RESISTOR	ERJ3GEYJ 103 V (10 kΩ)
R60	7030003560	S.RESISTOR	ERJ3GEYJ 103 V (10 kΩ)
R61	7030003680	S.RESISTOR	ERJ3GEYJ 104 V (100 kΩ)
R62	7030003680	S.RESISTOR	ERJ3GEYJ 104 V (100 kΩ)
R63	7030003680	S.RESISTOR	ERJ3GEYJ 104 V (100 kΩ)
R64	7030003680	S.RESISTOR	ERJ3GEYJ 104 V (100 kΩ)
R65	7030003440	S.RESISTOR	ERJ3GEYJ 102 V (1 kΩ)
R66	7030003650	S.RESISTOR	ERJ3GEYJ 563 V (56 kΩ)
R67	7030003440	S.RESISTOR	ERJ3GEYJ 102 V (1 kΩ)
R69	7030003320	S.RESISTOR	ERJ3GEYJ 101 V (100 Ω)
R71	7030003440	S.RESISTOR	ERJ3GEYJ 102 V (1 kΩ)
R76	7030003560	S.RESISTOR	ERJ3GEYJ 103 V (10 kΩ)
R83	7030001040	S.RESISTOR	MCR50JZHJ 18 Ω (180)
R84	7030003560	S.RESISTOR	ERJ3GEYJ 103 V (10 kΩ)
R86	7030003720	S.RESISTOR	ERJ3GEYJ 224 V (220 kΩ)
R87	7030003660	S.RESISTOR	ERJ3GEYJ 683 V (68 kΩ)
R88	7030003660	S.RESISTOR	ERJ3GEYJ 683 V (68 kΩ)
R89	7030003840	S.RESISTOR	ERJ3GEYJ 225 V (2.2 MΩ)
R90	7030003720	S.RESISTOR	ERJ3GEYJ 224 V (220 kΩ)
R92	7030003440	S.RESISTOR	ERJ3GEYJ 102 V (1 kΩ)
R93	7030003560	S.RESISTOR	ERJ3GEYJ 103 V (10 kΩ)
R98	7030003440	S.RESISTOR	ERJ3GEYJ 102 V (1 kΩ)
R99	7030003440	S.RESISTOR	ERJ3GEYJ 102 V (1 kΩ)
R100	7030003650	S.RESISTOR	ERJ3GEYJ 563 V (56 kΩ)
R101	7030003650	S.RESISTOR	ERJ3GEYJ 563 V (56 kΩ)
R102	7030003570	S.RESISTOR	ERJ3GEYJ 123 V (12 kΩ)
R103	7030003680	S.RESISTOR	ERJ3GEYJ 104 V (100 kΩ)
R105	7030003440	S.RESISTOR	ERJ3GEYJ 102 V (1 kΩ)
R106	7030003440	S.RESISTOR	ERJ3GEYJ 102 V (1 kΩ)
R107	7030003680	S.RESISTOR	ERJ3GEYJ 104 V (100 kΩ)
R108	7030003440	S.RESISTOR	ERJ3GEYJ 102 V (1 kΩ)
R109	7030003440	S.RESISTOR	ERJ3GEYJ 102 V (1 kΩ)
R110	7030003440	S.RESISTOR	ERJ3GEYJ 102 V (1 kΩ)
R111	7030003440	S.RESISTOR	ERJ3GEYJ 102 V (1 kΩ)
R112	7030003440	S.RESISTOR	ERJ3GEYJ 102 V (1 kΩ)
R113	7030003440	S.RESISTOR	ERJ3GEYJ 102 V (1 kΩ)
R114	7030003440	S.RESISTOR	ERJ3GEYJ 102 V (1 kΩ)
R115	7030003440	S.RESISTOR	ERJ3GEYJ 102 V (1 kΩ)
R116	7030003440	S.RESISTOR	ERJ3GEYJ 102 V (1 kΩ)
R117	7030003440	S.RESISTOR	ERJ3GEYJ 102 V (1 kΩ)
R118	7030003440	S.RESISTOR	ERJ3GEYJ 102 V (1 kΩ)
R119	7030003440	S.RESISTOR	ERJ3GEYJ 102 V (1 kΩ)
R120	7030003440	S.RESISTOR	ERJ3GEYJ 102 V (1 kΩ)
R121	7030003440	S.RESISTOR	ERJ3GEYJ 102 V (1 kΩ)
R136	7030003560	S.RESISTOR	ERJ3GEYJ 103 V (10 kΩ)
R137	7030003280	S.RESISTOR	ERJ3GEYJ 470 V (47 Ω)

S.=Surface mount

[CTRL UNIT]

REF NO.	ORDER NO.	DESCRIPTION	
R138	7030003440	S.RESISTOR	ERJ3GEYJ 102 V (1 kΩ)
R139	7030003560	S.RESISTOR	ERJ3GEYJ 103 V (10 kΩ)
R140	7030003280	S.RESISTOR	ERJ3GEYJ 470 V (47 Ω)
R141	7030003440	S.RESISTOR	ERJ3GEYJ 102 V (1 kΩ)
R142	7030003280	S.RESISTOR	ERJ3GEYJ 470 V (47 Ω)
R143	7030003440	S.RESISTOR	ERJ3GEYJ 102 V (1 kΩ)
R144	7030003280	S.RESISTOR	ERJ3GEYJ 470 V (47 Ω)
R145	7030003440	S.RESISTOR	ERJ3GEYJ 102 V (1 kΩ)
R146	7030003280	S.RESISTOR	ERJ3GEYJ 470 V (47 Ω)
R147	7030003440	S.RESISTOR	ERJ3GEYJ 102 V (1 kΩ)
R149	7030003680	S.RESISTOR	ERJ3GEYJ 104 V (100 kΩ)
R150	7030000330	S.RESISTOR	MCR10EZHZJ 390 Ω (391)
R151	7030000400	S.RESISTOR	MCR10EZHZJ 1.5 kΩ (152)
R152	7030003520	S.RESISTOR	ERJ3GEYJ 472 V (4.7 kΩ)
R153	7030003520	S.RESISTOR	ERJ3GEYJ 472 V (4.7 kΩ)
R154	7030003480	S.RESISTOR	ERJ3GEYJ 222 V (2.2 kΩ)
R155	7030003390	S.RESISTOR	ERJ3GEYJ 391 V (390 Ω)
R156	7030000400	S.RESISTOR	MCR10EZHZJ 1.5 kΩ (152)
R157	7030003560	S.RESISTOR	ERJ3GEYJ 103 V (10 kΩ)
R158	7030003560	S.RESISTOR	ERJ3GEYJ 103 V (10 kΩ)
C1	4010005530	CERAMIC	HM60SJ SL 020C 500V
C2	4030007090	S.CERAMIC	C1608 CH 1H 470J-T-A
C3	4610001260	S.TRIMMER	ECR-JA020 E12W
C4	4010005530	CERAMIC	HM60SJ SL 020C 500V
C5	4030007100	S.CERAMIC	C1608 CH 1H 560J-T-A
C6	4030006860	S.CERAMIC	C1608 JB 1H 102K-T-A
C7	4030006860	S.CERAMIC	C1608 JB 1H 102K-T-A
C8	4030006880	S.CERAMIC	C1608 JB 1H 472K-T-A
C9	4030006880	S.CERAMIC	C1608 JB 1H 472K-T-A
C10	4030006880	S.CERAMIC	C1608 JB 1H 472K-T-A
C11	4030006880	S.CERAMIC	C1608 JB 1H 472K-T-A
C12	4010005540	CERAMIC	HM60SJ SL 030C 500V
C13	4030007070	S.CERAMIC	C1608 CH 1H 330J-T-A
C14	4030007070	S.CERAMIC	C1608 CH 1H 330J-T-A
C15	4030007070	S.CERAMIC	C1608 CH 1H 330J-T-A
C16	4030006880	S.CERAMIC	C1608 JB 1H 472K-T-A
C17	4030007120	S.CERAMIC	C1608 CH 1H 820J-T-A
C20	4030006880	S.CERAMIC	C1608 JB 1H 472K-T-A
C21	4030006880	S.CERAMIC	C1608 JB 1H 472K-T-A
C22	4550003120	S.TANTALUM	TEMSVD2 1A 476M-12L
C23	4030006880	S.CERAMIC	C1608 JB 1H 472K-T-A
C24	4030007170	S.CERAMIC	C1608 CH 1H 221J-T-A
C25	4030007170	S.CERAMIC	C1608 CH 1H 221J-T-A
C26	4030006880	S.CERAMIC	C1608 JB 1H 472K-T-A
C27	4030006880	S.CERAMIC	C1608 JB 1H 472K-T-A
C30	4030007170	S.CERAMIC	C1608 CH 1H 221J-T-A
C31	4030011340	S.CERAMIC	C1608 CH 1H 471J-T-A
C32	4010005530	CERAMIC	HM60SJ SL 020C 500V
C33	4030007110	S.CERAMIC	C1608 CH 1H 680J-T-A
C34	4030007110	S.CERAMIC	C1608 CH 1H 680J-T-A
C35	4030006880	S.CERAMIC	C1608 JB 1H 472K-T-A
C36	4030006860	S.CERAMIC	C1608 JB 1H 102K-T-A
C37	4030006880	S.CERAMIC	C1608 JB 1H 472K-T-A
C38	4030006880	S.CERAMIC	C1608 JB 1H 472K-T-A
C39	4030006880	S.CERAMIC	C1608 JB 1H 472K-T-A
C40	4030006880	S.CERAMIC	C1608 JB 1H 472K-T-A
C43	4030007170	S.CERAMIC	C1608 CH 1H 221J-T-A
C44	4030011340	S.CERAMIC	C1608 CH 1H 471J-T-A
C45	4030011600	S.CERAMIC	C1608 JB 1C 104KT-N
C46	4030011600	S.CERAMIC	C1608 JB 1C 104KT-N
C47	4030009990	S.CERAMIC	C1608 CH 1H 200J-T-A
C48	4030009990	S.CERAMIC	C1608 CH 1H 200J-T-A
C49	4030006880	S.CERAMIC	C1608 JB 1H 472K-T-A
C51	4030006860	S.CERAMIC	C1608 JB 1H 102K-T-A
C52	4030006880	S.CERAMIC	C1608 JB 1H 472K-T-A
C53	4030006880	S.CERAMIC	C1608 JB 1H 472K-T-A
C54	4030006880	S.CERAMIC	C1608 JB 1H 472K-T-A
C55	4030006860	S.CERAMIC	C1608 JB 1H 102K-T-A
C56	4030006880	S.CERAMIC	C1608 JB 1H 472K-T-A
C57	4030006880	S.CERAMIC	C1608 JB 1H 472K-T-A
C58	4030006880	S.CERAMIC	C1608 JB 1H 472K-T-A
C59	4030006880	S.CERAMIC	C1608 JB 1H 472K-T-A
C60	4030006880	S.CERAMIC	C1608 JB 1H 472K-T-A
C62	4030006880	S.CERAMIC	C1608 JB 1H 472K-T-A
C63	4030007100	S.CERAMIC	C1608 CH 1H 560J-T-A
C64	4030007040	S.CERAMIC	C1608 CH 1H 180J-T-A
C65	4030007120	S.CERAMIC	C1608 CH 1H 820J-T-A
C66	4030007070	S.CERAMIC	C1608 CH 1H 330J-T-A
C69	4510004630	S.ELECTROLYTIC	ECEV1CA100SR
C70	4510004630	S.ELECTROLYTIC	ECEV1CA100SR

[CTRL UNIT]

REF NO.	ORDER NO.	DESCRIPTION	
C71	4030011600	S.CERAMIC	C1608 JB 1C 104KT-N
C72	4510006260	S.ELECTROLYTIC	ECEV1AA471UP
C73	4030006880	S.CERAMIC	C1608 JB 1H 472K-T-A
C74	4030006880	S.CERAMIC	C1608 JB 1H 472K-T-A
C75	4030006880	S.CERAMIC	C1608 JB 1H 472K-T-A
C76	4030006880	S.CERAMIC	C1608 JB 1H 472K-T-A
C77	4030006880	S.CERAMIC	C1608 JB 1H 472K-T-A
C78	4030006880	S.CERAMIC	C1608 JB 1H 472K-T-A
C79	4030006880	S.CERAMIC	C1608 JB 1H 472K-T-A
C80	4030006880	S.CERAMIC	C1608 JB 1H 472K-T-A
C81	4030006880	S.CERAMIC	C1608 JB 1H 472K-T-A
C82	4030006880	S.CERAMIC	C1608 JB 1H 472K-T-A
C83	4030006880	S.CERAMIC	C1608 JB 1H 472K-T-A
C84	4030006880	S.CERAMIC	C1608 JB 1H 472K-T-A
C85	4030006880	S.CERAMIC	C1608 JB 1H 472K-T-A
C86	4030006880	S.CERAMIC	C1608 JB 1H 472K-T-A
C90	4510004440	S.ELECTROLYTIC	ECEV1HA010SR
C91	4510004440	S.ELECTROLYTIC	ECEV1HA010SR
C92	4510004440	S.ELECTROLYTIC	ECEV1HA010SR
C93	4510004440	S.ELECTROLYTIC	ECEV1HA010SR
C94	4510004440	S.ELECTROLYTIC	ECEV1HA010SR
C95	4510004440	S.ELECTROLYTIC	ECEV1HA010SR
C96	4510004440	S.ELECTROLYTIC	ECEV1HA010SR
C97	4510004440	S.ELECTROLYTIC	ECEV1HA010SR
C98	4510006220	S.ELECTROLYTIC	ECEV1CA101UP
C99	4030007010	S.CERAMIC	C1608 CH 1H 100D-T-A
C100	4030007110	S.CERAMIC	C1608 CH 1H 680J-T-A
C101	4030006880	S.CERAMIC	C1608 JB 1H 472K-T-A
C102	4510004630	S.ELECTROLYTIC	ECEV1CA100SR
C105	4030010000	S.CERAMIC	C1608 CH 1H 510J-T-A
C107	4010005550	CERAMIC	HM60SJ SL 040C 500V
C109	4030011600	S.CERAMIC	C1608 JB 1C 104KT-N
C110	4030011600	S.CERAMIC	C1608 JB 1C 104KT-N
C111	4030006880	S.CERAMIC	C1608 JB 1H 472K-T-A
C112	4030006880	S.CERAMIC	C1608 JB 1H 472K-T-A
C113	4030006880	S.CERAMIC	C1608 JB 1H 472K-T-A
C114	4030006880	S.CERAMIC	C1608 JB 1H 472K-T-A
C203	4030006880	S.CERAMIC	C1608 JB 1H 472K-T-A
C209	4030006900	S.CERAMIC	C1608 JB 1E 103K-T-A
C210	4030006900	S.CERAMIC	C1608 JB 1E 103K-T-A
C211	4010005520	CERAMIC	HM60SJ SL 010C 500V
C212	4030007020	S.CERAMIC	C1608 CH 1H 120J-T-A
C213	4030007050	S.CERAMIC	C1608 CH 1H 220J-T-A
C214	4030006860	S.CERAMIC	C1608 JB 1H 102K-T-A
C215	4030005040	S.CERAMIC	C2012 CH 1H 271J-T-A
C216	4030011600	S.CERAMIC	C1608 JB 1C 104KT-N
RL1	6330001460	RELAY	FTR-F1CA012V
RL2	6330001460	RELAY	FTR-F1CA012V
RL3	6330001460	RELAY	FTR-F1CA012V
RL4	6330000470	RELAY	NR-HD (12V) AE5343
J1	6510007020	CONNECTOR	TMP-J01X-V6
J3	6510007020	CONNECTOR	TMP-J01X-V6
J4	6510007020	CONNECTOR	TMP-J01X-V6
J7	6510019990	S.CONNECTOR	52808-2290
J8	6510019990	S.CONNECTOR	52808-2290
J10	6510003410	CONNECTOR	B05B-EH-S
J11	6510003410	CONNECTOR	B05B-EH-S
J14	6510018960	S.CONNECTOR	B2B-PH-SM3-TB
W2	7030003860	S.JUMPER	ERJ3GE JPW V
W3	7030003860	S.JUMPER	ERJ3GE JPW V
W4	7030003860	S.JUMPER	ERJ3GE JPW V
W5	7030003860	S.JUMPER	ERJ3GE JPW V
W6	7030003860	S.JUMPER	ERJ3GE JPW V
W7	7030003860	S.JUMPER	ERJ3GE JPW V
W8	7030003860	S.JUMPER	ERJ3GE JPW V
W9	7030003860	S.JUMPER	ERJ3GE JPW V
W10	7030003860	S.JUMPER	ERJ3GE JPW V
W11	7120000010	JUMPER	JPW 02A
W12	7120000010	JUMPER	JPW 02A
WS1	8600036240		P03xJ13CT
WS2	8970023110		COAXIAL 1.5 (d) (1)/CT
EP1	0910049466	PCB	B 5086F

S.=Surface mount

[FILTER UNIT]

REF NO.	ORDER NO.	DESCRIPTION	
L1	6140003440	COIL	LR-386
L2	6140003440	COIL	LR-386
C1	4030004740	S.CERAMIC	C2012 JB 1H 472K-T-A
C2	4030005140	S.CERAMIC	C3216 JB 1E 104K-T-A
C5	4030004740	S.CERAMIC	C2012 JB 1H 472K-T-A
C6	4030004740	S.CERAMIC	C2012 JB 1H 472K-T-A
C7	4030005140	S.CERAMIC	C3216 JB 1E 104K-T-A
C8	4030005140	S.CERAMIC	C3216 JB 1E 104K-T-A
C9	4030005140	S.CERAMIC	C3216 JB 1E 104K-T-A
C10	4030004740	S.CERAMIC	C2012 JB 1H 472K-T-A
C12	4030005140	S.CERAMIC	C3216 JB 1E 104K-T-A
C13	4030004740	S.CERAMIC	C2012 JB 1H 472K-T-A
C15	4030005140	S.CERAMIC	C3216 JB 1E 104K-T-A
C16	4030004740	S.CERAMIC	C2012 JB 1H 472K-T-A
C18	4030005140	S.CERAMIC	C3216 JB 1E 104K-T-A
C19	4030004740	S.CERAMIC	C2012 JB 1H 472K-T-A
EP1	0910050013	PCB	B 5143C
EP2	6910011330	TERMINAL	OT-009 M3
EP3	6910011330	TERMINAL	OT-009 M3
EP4	6910011330	TERMINAL	OT-009 M3
EP5	6910011330	TERMINAL	OT-009 M3

S.=Surface mount

SECTION 7 MECHANICAL PARTS

[FRONT UNIT]

REF. NO.	ORDER NO.	DESCRIPTION	QTY.
EP1	6910011090	RMS20-250-201-P	1
EP2	6450001230	Plate HLJ0999-01-480	1
EP3	6450001230	Plate HLJ0999-01-480	1
MP1	8210015271	2072 front panel-1	1
MP2	8010017292	2072 sub chassis-2	1
MP3	8930045410	2072 window plate	1
MP4	8930045480	2072 10-key	1
MP5	8930045470	2072 mode key	1
MP6	8930045420	2072 P-key	1
MP7	8930045430	2072 T-A key	1
MP8	8930045440	2072 N-A key	1
MP9	8930045450	2072 S-L key	1
MP10	8930045460	2072 4-key	1
MP11	8610010250	Knob N251	3
MP12	8610010260	Knob N252	3
MP13	8610010620	Knob N253 (A)	2
MP14	8610010650	Knob N268	1
MP17	8930027470	1296 brake pad	1
MP18	8930037111	1691 brake sheet-1	1
MP19	8930041060	1876 brake plate	1
MP20	8930032340	1424 N-spring	1
MP25	8820000770	1296 screw	1
MP26	8810008660	Screw PH BT M3 x 8 NI-ZU	5
MP27	8810008660	Screw PH BT M3 x 8 NI-ZU	2
MP28	8810009180	FH BT M2 x 5 NI-ZU	2
MP29	8810009180	FH BT M2 x 5 NI-ZU	5
MP30	8810009180	FH BT M2 x 5 NI-ZU	1
MP31	8810009180	FH BT M2 x 5 NI-ZU	2
MP32	8810009180	FH BT M2 x 5 NI-ZU	2
MP33	8810009180	FH BT M2 x 5 NI-ZU	2
MP34	8810009180	FH BT M2 x 5 NI-ZU	3
MP35	8810009390	Screw PH BT M3 x 18 NI-ZU	1
MP39	8850001640	Washer (S)	1

[MIC BOARD]

REF. NO.	ORDER NO.	DESCRIPTION	QTY.
J1	6510000190	Connector FM214-8SS (P)	1

[PBT BOARD]

REF. NO.	ORDER NO.	DESCRIPTION	QTY.
R1 S	7210002960	Variable register RV-313	1
S1, K1	2260002430	Switch SW-165	1

[RIT BOARD]

REF. NO.	ORDER NO.	DESCRIPTION	QTY.
S1	2250000340	EVQ-VCJF0324B	1

[DISPLAY BOARD]

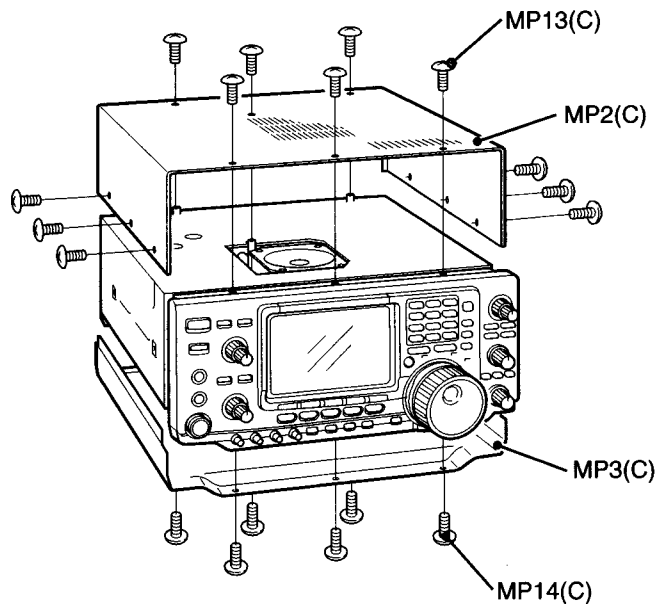
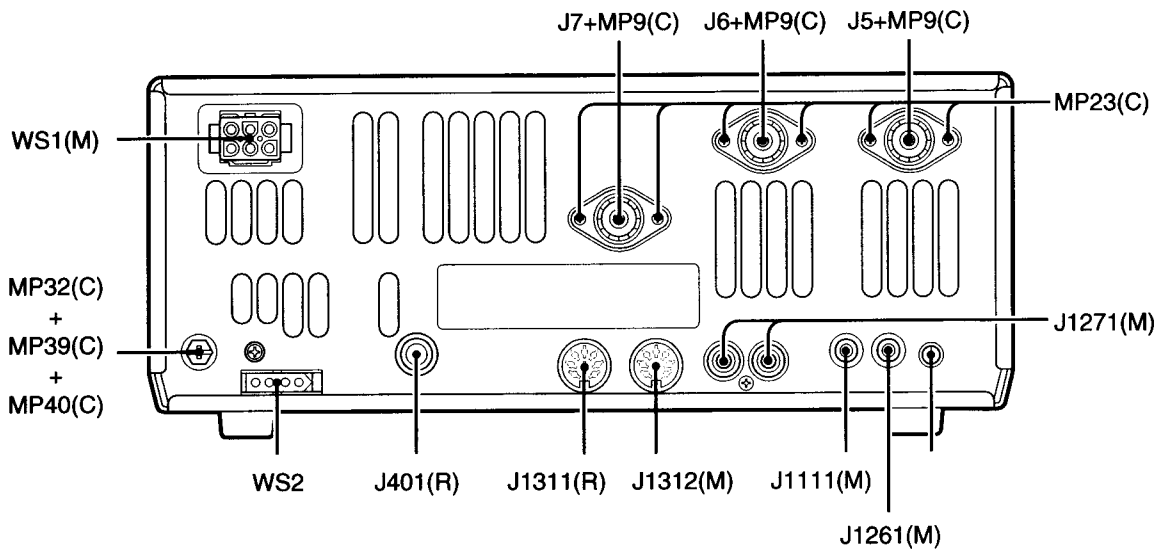
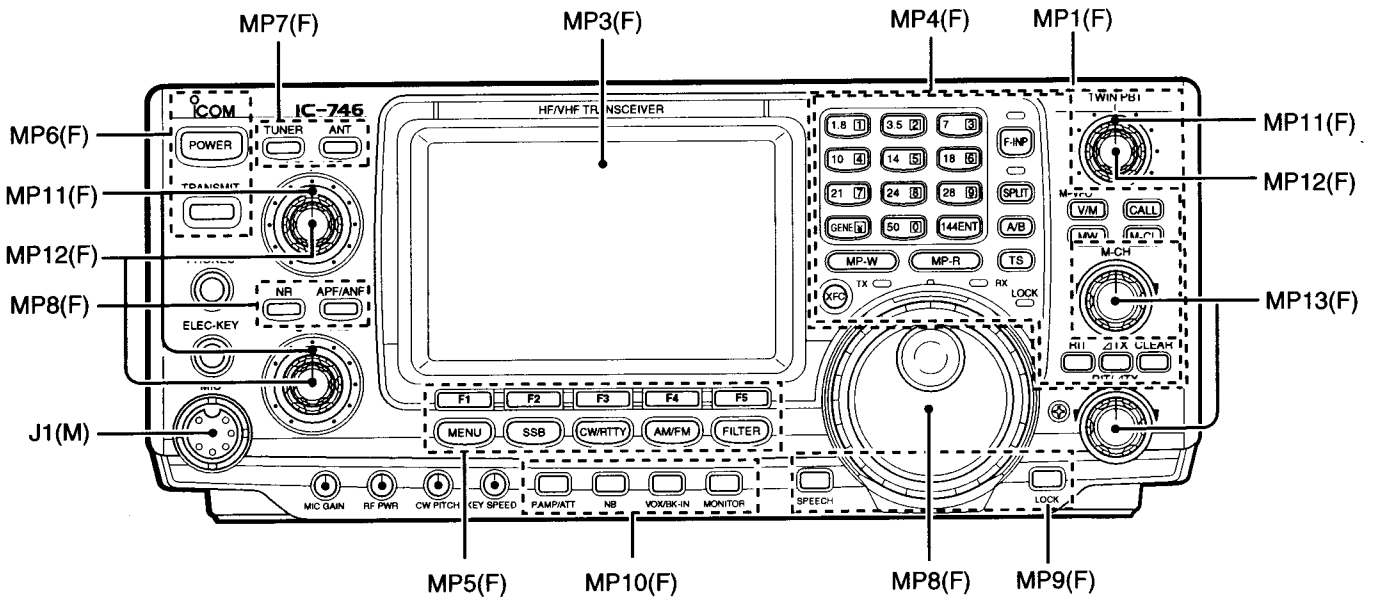
REF. NO.	ORDER NO.	DESCRIPTION	QTY.
DS1001	5030001600	DLC-7997S2GT	1

[S-LOGIC UNIT]

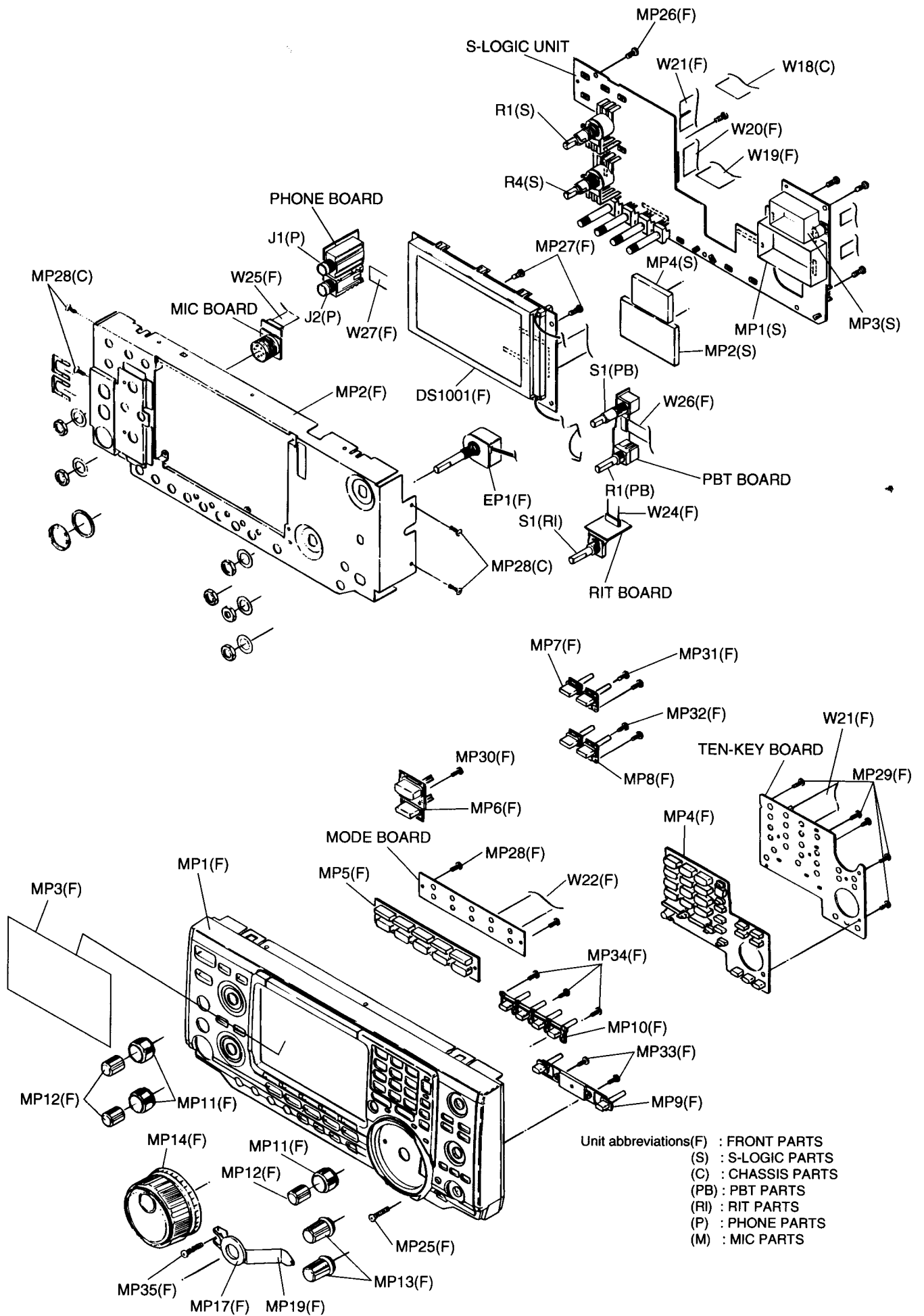
REF. NO.	ORDER NO.	DESCRIPTION	QTY.
R1	7210002890	Variable register RV-308	1
R4	7210002890	Variable register RV-308	1
MP1	8510001080	Shield case (A)	1
MP2	8510001101	Shield case (A) cover (A) -1	1
MP3	8510005980	724 shield case	1
MP4	8510005990	724 shield case cover	1

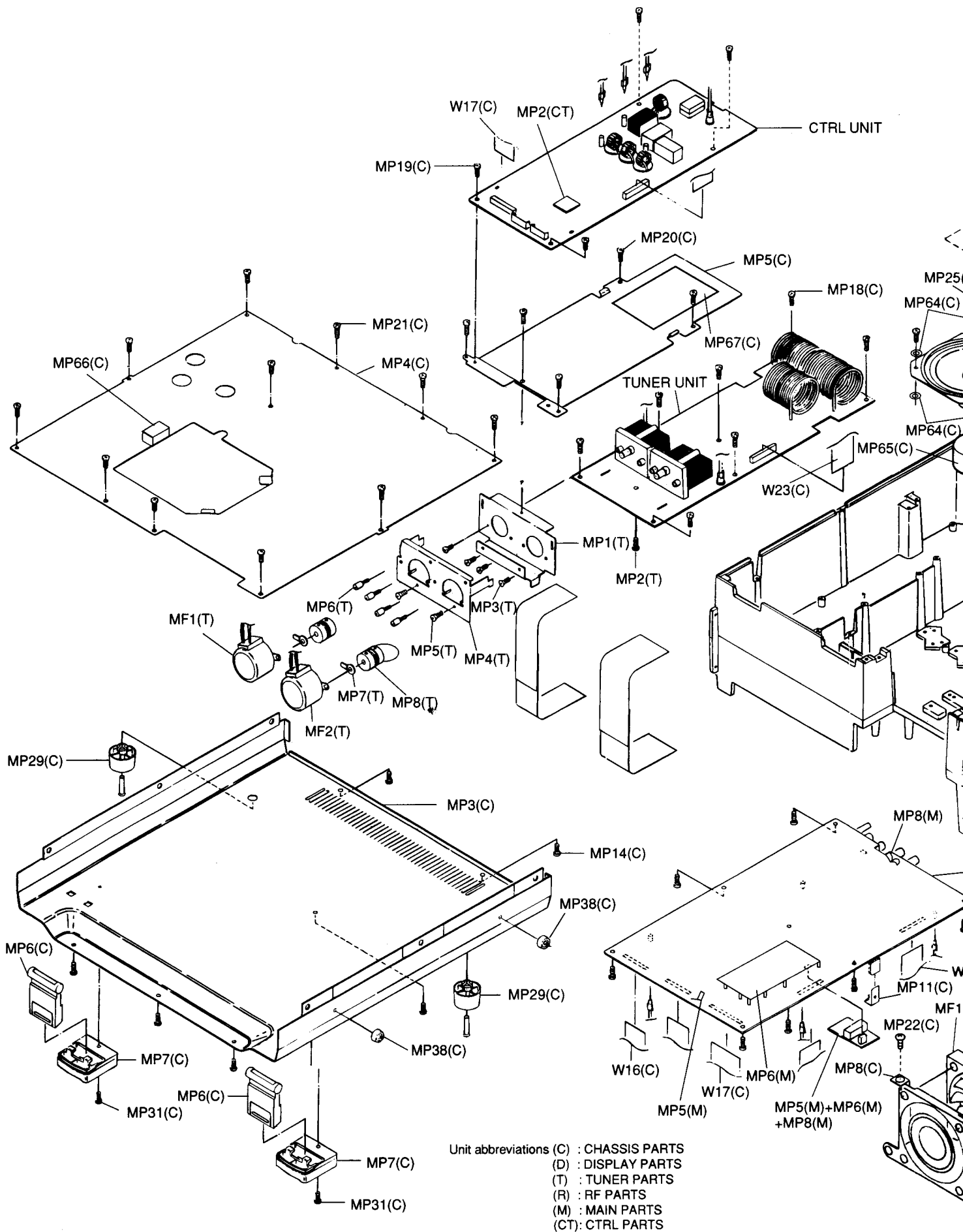
[PHONE BOARD]

REF. NO.	ORDER NO.	DESCRIPTION	QTY.
J1	6450001890	Connector HLJ5305-01-4090	1
J2	6450001790	Connector HLJ7000-01-3010	1

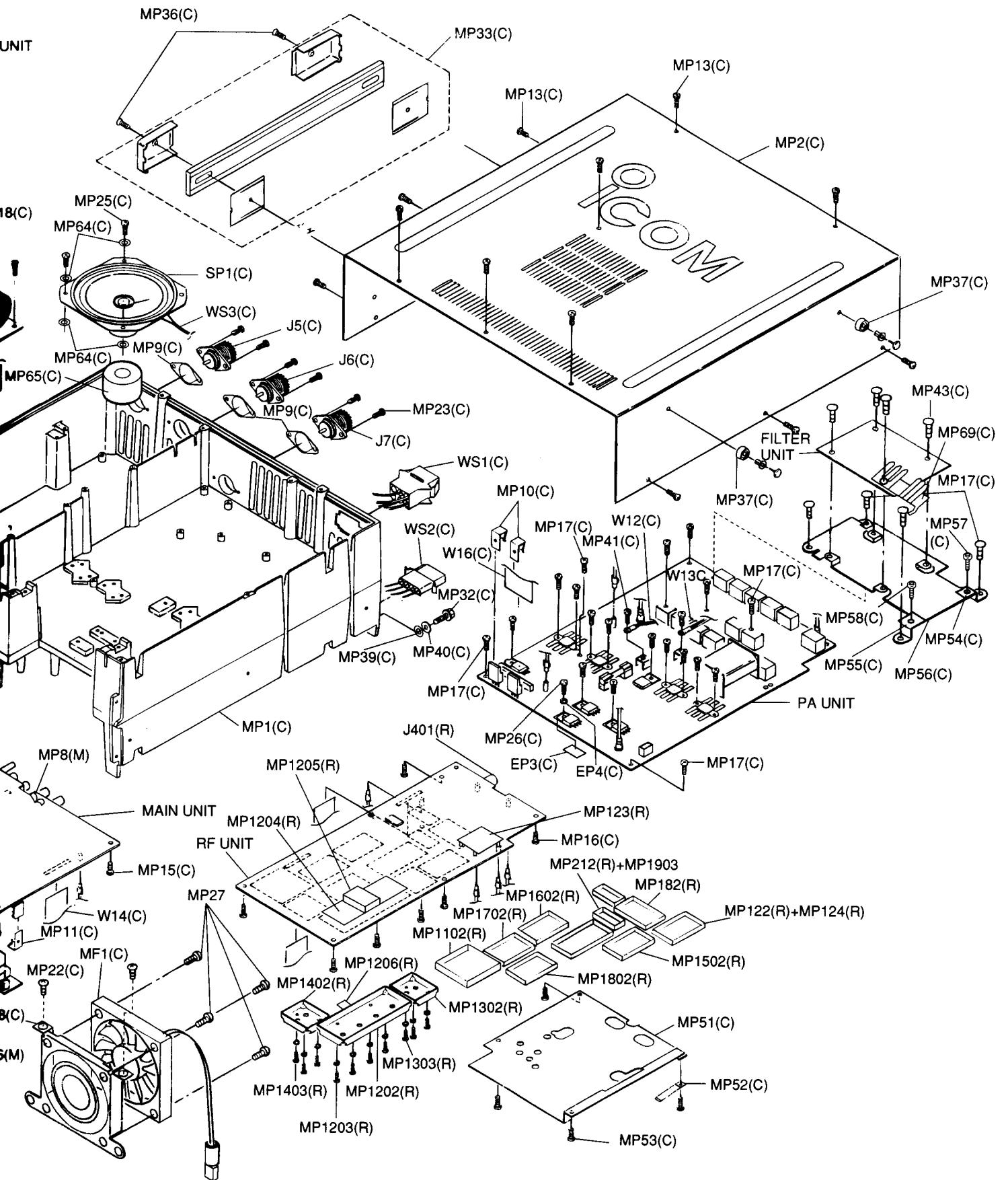


Downloaded by
RadioAmateur.EU





Unit abbreviations (C) : CHASSIS PARTS
 (D) : DISPLAY PARTS
 (T) : TUNER PARTS
 (R) : RF PARTS
 (M) : MAIN PARTS
 (CT): CTRL PARTS



[CHASSIS PARTS]

REF. NO.	ORDER NO.	DESCRIPTION	QTY.
J5	6510000370	Connector MR-DS	1
J6	6510000370	Connector MR-DS	1
J7	6510000370	Connector MR-DS	1
EP3	6910000340	Insulation sheet P101 KD	1
EP4	6910000310	B312D insulation washer	1
MF1	2710000630	Fan FBA08T12Hc	1
MP1	8010017222	2072 chassis -2	1
MP2	8110006360	2072 T-cover	1
MP3	8110006350	2072 L-cover	1
MP4	8110006370	2072 shield cover	1
MP5	8930045171	2072 A-plate-1	1
MP6	8930041350	1876 main stand	2
MP7	8930041340	1876 sub stand	2
MP8	8930029730	1413 fan holder	1
MP9	8930037001	1691 earth plate-1	3
MP10	8930018520	TR crip (A)	2
MP11	8930018520	TR crip (A)	1
MP13	8810005770	Screw BiH M3 x 8 ZK	12
MP14	8810005770	Screw BiH M3 x 8 ZK	6
MP15	8810008660	Screw PH BT M3 x 8 NI-ZU	7
MP16	8810008660	Screw PH BT M3 x 8 NI-ZU	8
MP17	8810008660	Screw PH BT M3 x 8 NI-ZU	10
MP18	8810008660	Screw PH BT M3 x 8 NI-ZU	7
MP19	8810008660	Screw PH BT M3 x 8 NI-ZU	4
MP20	8810008660	Screw PH BT M3 x 8 NI-ZU	4
MP21	8810008660	Screw PH BT M3 x 8 NI-ZU	11
MP22	8810008660	Screw PH BT M3 x 8 NI-ZU	2
MP23	8810008660	Screw PH BT M3 x 8 NI-ZU	6
MP24	8810008660	Screw PH BT M3 x 8 NI-ZU	1
MP25	8810005770	Screw BiH M3 x 8 ZK	2
MP26	8810003170	Setscrew A M3 x 8	13
MP27	8810000420	Screw PH M4 x 18	4
MP28	8810009310	Screw FH BT M3 x 6 NI-ZU	4
MP29	8930042690	Rubber foot (L)	2
MP31	8810008660	Screw PH BT M3 x 8 NI-ZU	2
MP32	8820000530	Screw M4 x 8 NI	1
MP33	8010016950	Handle	1
MP36	8810003080	Screw FH M4 x 12 CR BS	2
MP37	8930046120	Rubber foot (M)	2
MP38	8930046120	Rubber foot (M)	2
MP39	8850000430	S washer M 4 NI	1
MP40	8850000140	FH washer M 4 NI BS	1
MP41	8810003160	Setscrew A M3 x 6	2
MP42	8810003160	Setscrew A M3 x 6	4
MP43	8810003160	Setscrew A M3 x 6	4
MP51	8930046640	2072 RF plate	1
MP52	8930001170	Earth spring (A)	1
MP53	8810008660	Screw PH BT M3 x 8 NI-ZU	4
MP54	8930015640	Holder	1
MP55	8930015640	Holder	1
MP56	8930047290	2072 A-FILTER PLATE others	1
	8930046761	2072 FILTER plate-1 [EUR], [FRA], [DEN]	1
MP57	8810003160	Setscrew A M3 x 6	1
MP58	8810003160	Setscrew A M3 x 6	1
MP59	8930046720	2072 BUSH	1
MP63	8930047220	Sponge (FT)	1
MP64	8850001710	Washer (R)	4
MP65	8930047100	2072 SP Sponge	1
MP66	8930047090	Sponge (FP)	1
MP67	8930047070	Sponge (FQ)	1
MP69	8930047210	2072 EMC spring	1
SP1	2510000760	SM-77KY0208	1

[MAIN UNIT]

REF. NO.	ORDER NO.	DESCRIPTION	QTY.
MP5	8930014140	Earth spring (D)	1
MP6	8510006580	VCO shield plate	1
MP8	8930014140	Earth spring (D)	1

[RF UNIT]

REF. NO.	ORDER NO.	DESCRIPTION	QTY.
J401	6450001490	Connector HLJ7001-01-3010	1
MP122	8510005990	724 shield case cover	1
MP123	8510000180	117 shield plate	1
MP124	8930014140	Earth spring (D)	1
MP182	8510005990	724 shield case cover	1
MP212	8510005160	602 shield case cover	1
MP1102	8510010770	1876 DSE COVER	1
MP1202	8510011520	2072 VCO cover	1
MP1203	8810003960	SetscrewA M2.6 x 5	4
MP1204	8510011710	2072 VCO shield	1
MP1205	8930013520	Sponge (BJ)	1
MP1206	8930001170	Earth spring (A)	1
MP1302	8510010060	1691 shield cover	1
MP1303	8810003960	Setscrew A M2.6 x 5	3
MP1402	8510010060	1691 shield cover	1
MP1403	8810003960	Setscrew A M2.6 x 5	3
MP1502	8510005990	724 shield case cover	1
MP1602	8510005990	724 shield case cover	1
MP1702	8510005990	724 shield case cover	1
MP1802	8510005990	724 shield case cover	1
MP1903	8930014140	Earth spring (D)	1

[TUNER UNIT]

REF. NO.	ORDER NO.	DESCRIPTION	QTY.
MF1	2710000460	Motor MP28GA	1
MF2	2710000460	Motor MP29GA	1
MP1	8930041090	1876 A-angle	1
MP2	8810008660	Screw PH BT M3 x 8 NI-ZU	1
MP3	8810009060	Screw FH M3 x 6 ZK	4
MP4	8930041110	1876 B-angle	1
MP5	8810009060	Screw FH M3 x 6 ZK	2
MP6	8820000880	1528 screw	4
MP7	8930030111	1414 plate-1	2
MP8	8950003200	UJ6-5 (universal coupling)	2

[CTRL UNIT]

REF. NO.	ORDER NO.	DESCRIPTION	QTY.
MP2	8510005411	661 shield case cover -1	1

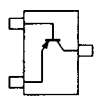

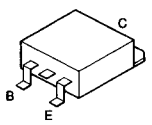
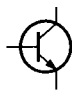
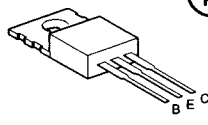

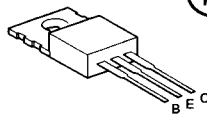

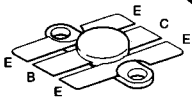
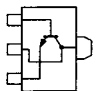
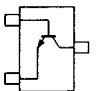
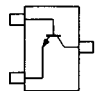
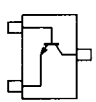
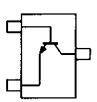
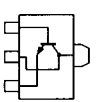

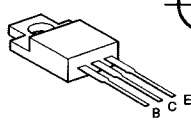
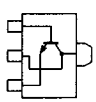
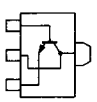
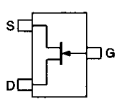
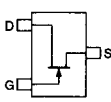
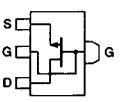
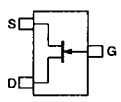
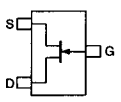
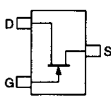
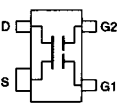
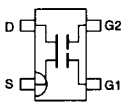
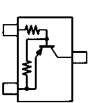
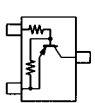
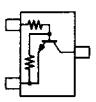
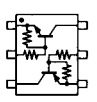
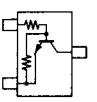
[UNPACKING]

REF. NO.	ORDER NO.	DESCRIPTION	QTY.
F1	5210000080	Fuse FGB 20A	2
F2	5210000060	Fuse FGB 5A	1
W1	8900000220	DC power cable OPC-025 A	1
MC1	7700000540	Hand microphone HM-36	1

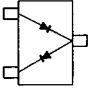
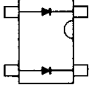
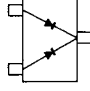
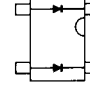
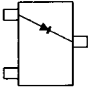
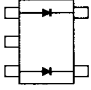
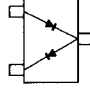
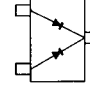
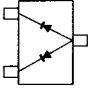
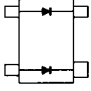
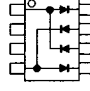
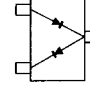
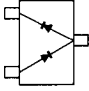
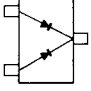
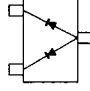
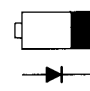
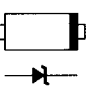
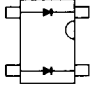
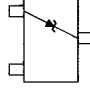
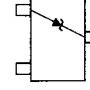
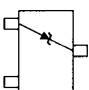
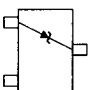
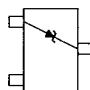
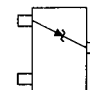
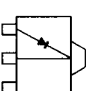
SECTION 8

SEMI-CONDUCTOR INFORMATION

• TRANSISTOR AND FET'S

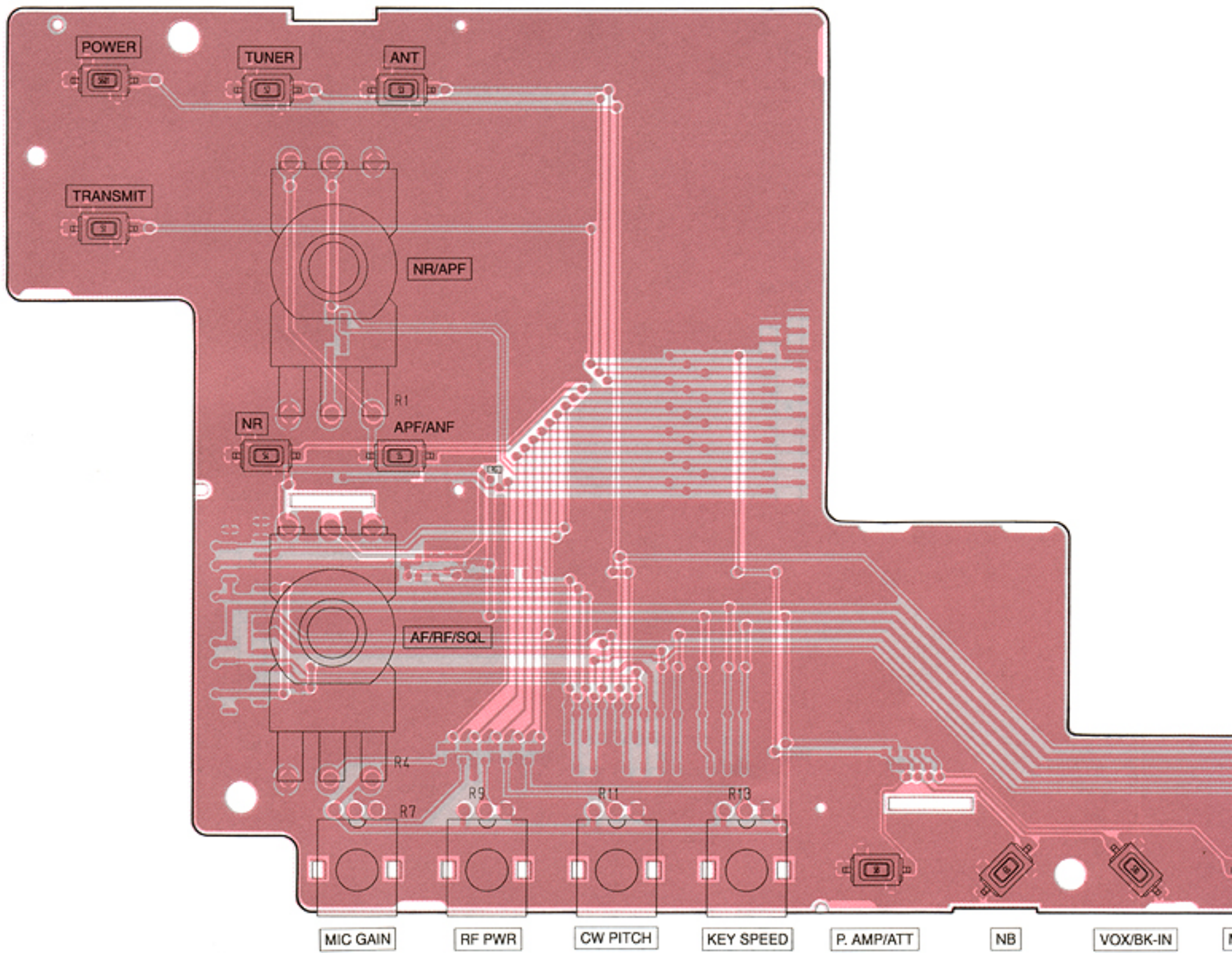
<p>2SA1576 AT106 R (Symbol: FR)</p> 	<p>2SB1201 S (Symbol: B1201)</p>  	<p>2SC1971</p>  	<p>2SC1972</p>  
<p>2SC2694</p>  	<p>2SC3647 S (Symbol: CC)</p> 	<p>2SC4081 R (Symbol: BR)</p> 	<p>2SC4213 B (Symbol: AB)</p> 
<p>2SC4226 R25 (Symbol: R25)</p> 	<p>2SC4403 3 (Symbol: LY3)</p> 	<p>2SC4673 D (Symbol: CO)</p> 	<p>2SD1406</p>  
<p>2SD1619 (Symbol: DB)</p> 	<p>2SD1801 (Symbol: CE)</p> 	<p>2SK1740 (Symbol: IJ)</p> 	<p>2SK210 GR (Symbol: YG)</p> 
<p>2SK2171 4 (Symbol: KM)</p> 	<p>2SK508 K52 (Symbol: K52)</p> 	<p>2SK515 (Symbol: X33)</p> 	<p>2SK882 GR (Symbol: TG)</p> 
<p>3SK131 (Symbol: VIT)</p> 	<p>3SK228XR (Symbol: XR)</p> 	<p>DTA114EE (Symbol: 14)</p> 	<p>DTA114EUA (Symbol: 16)</p> 
<p>DTC114EUA (Symbol: 2)</p> 	<p>UMD3N TL (Symbol: D3)</p> 	<p>UN9211 (Symbol: 8A)</p> 	

• DIODES

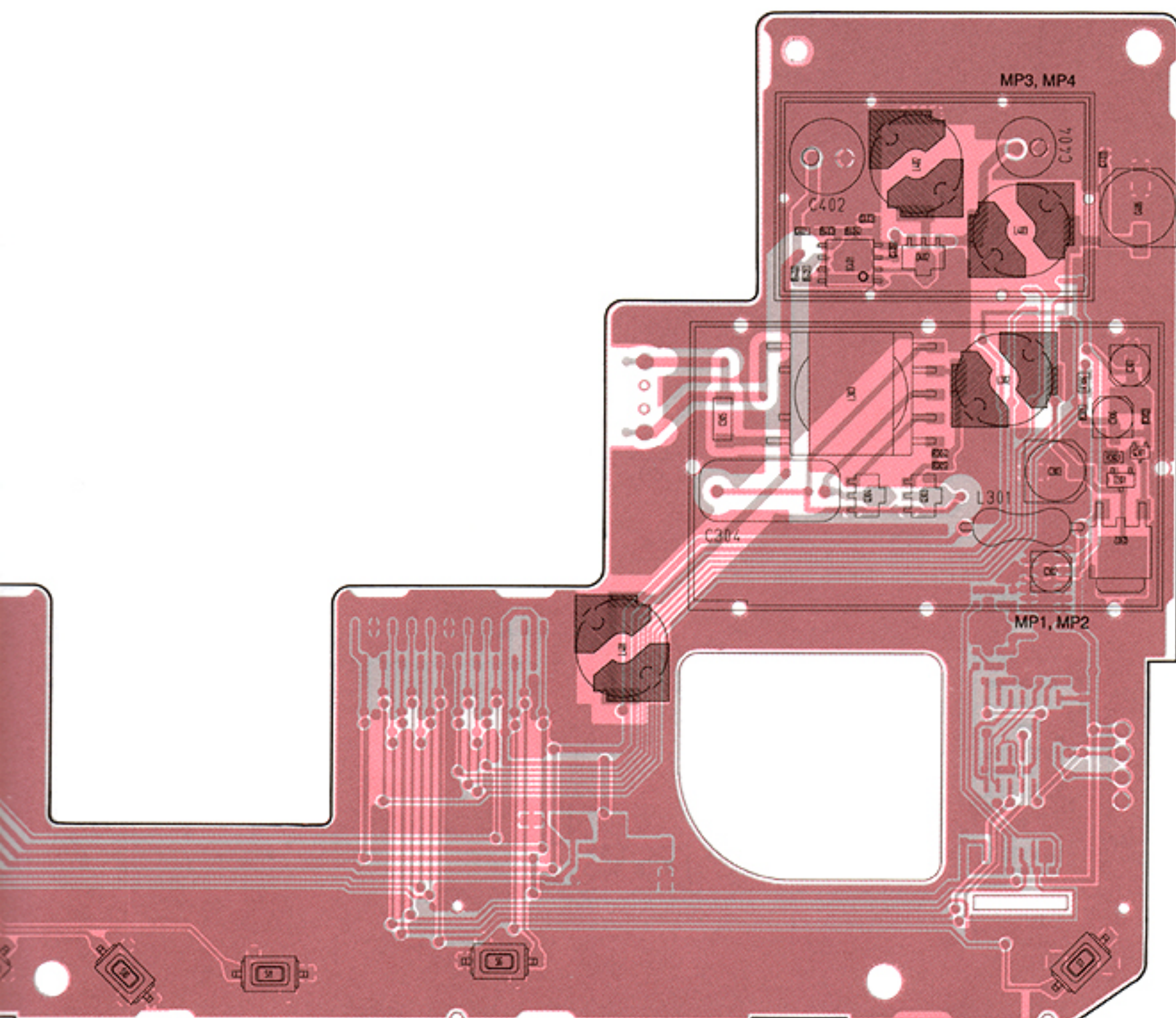
<p>1SS302 (Symbol: C3)</p> 	<p>1SS319 (Symbol: A4)</p> 	<p>1SS385 (Symbol: 09)</p> 	<p>1SV237 (Symbol: BB)</p> 
<p>1SV263 (Symbol: JV)</p> 	<p>1SV265 TL (Symbol: LV)</p> 	<p>DA221 (Symbol: K)</p> 	<p>DAN222 (Symbol: N)</p> 
<p>DAP222 (Symbol: FR)</p> 	<p>DWA010 (Symbol: W8)</p> 	<p>HSB88WSTR (Symbol: Silver line)</p> 	<p>HSM88AS (Symbol: C1)</p> 
<p>HSM88ASR (Symbol: C3)</p> 	<p>HVM17-01TR (Symbol: T6)</p> 	<p>KV1470TL (Symbol: F7)</p> 	<p>MA77 (Symbol: 4B)</p> 
<p>MA8024 (Symbol: 2.4)</p> 	<p>MA862 (Symbol: M11)</p> 	<p>RD12M T2B2 (Symbol: 122)</p> 	<p>RD3.0M B2 (Symbol: 302)</p> 
<p>RD5.1M B2 (Symbol: 512)</p> 	<p>RD5.6M B2 (Symbol: 562)</p> 	<p>RD7.5M T2B1 (Symbol: 751)</p> 	<p>RD9.1M B2 (Symbol: 912)</p> 
<p>SB10 05PCP TD (Symbol: SA)</p> 			

SECTION 9 BOARD LAYOUTS

9-1 S-LOGIC BOARD (TOP VIEW)



Downloaded by
RadioAmateur.EU



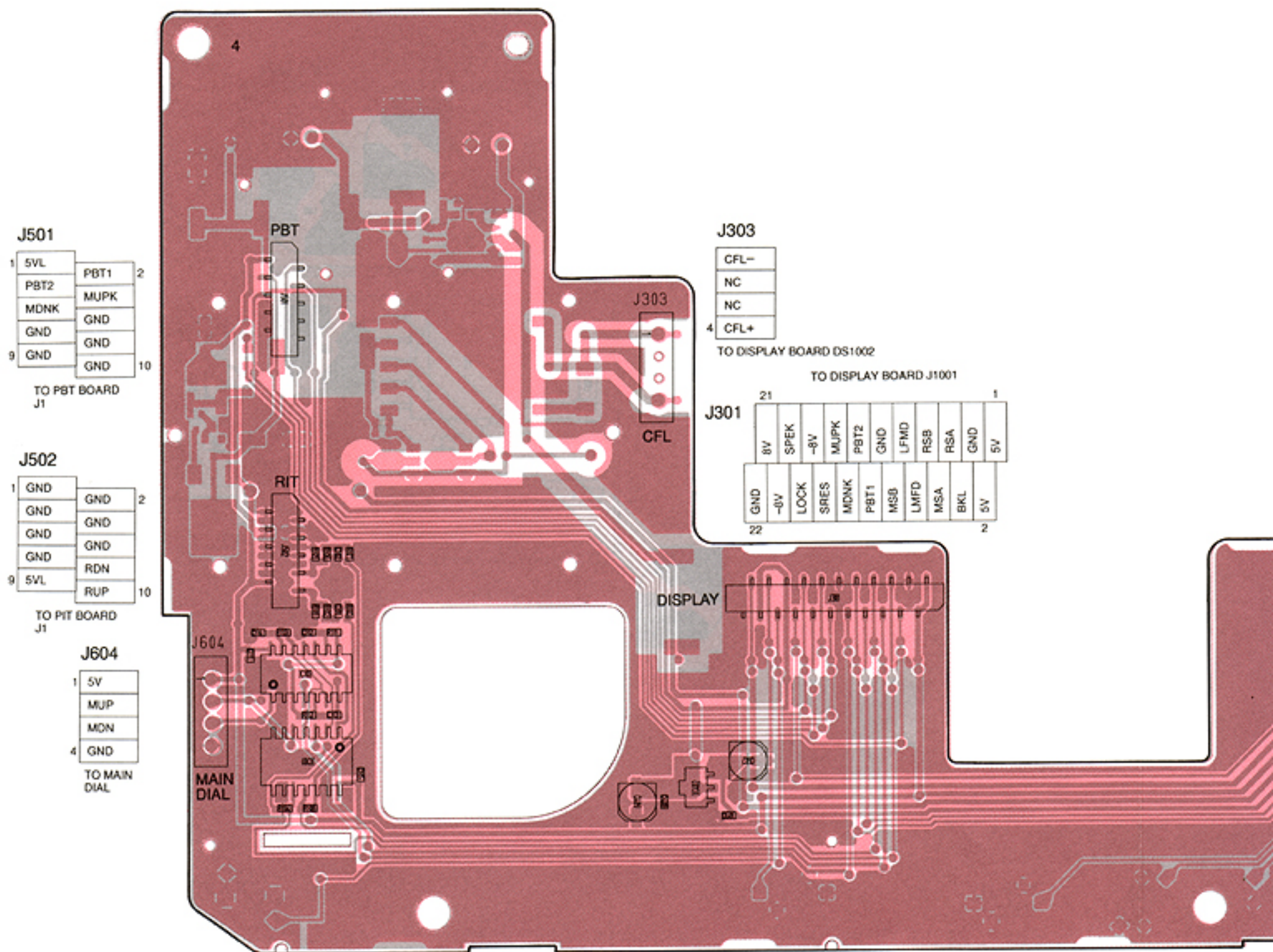
VOX/BK-IN

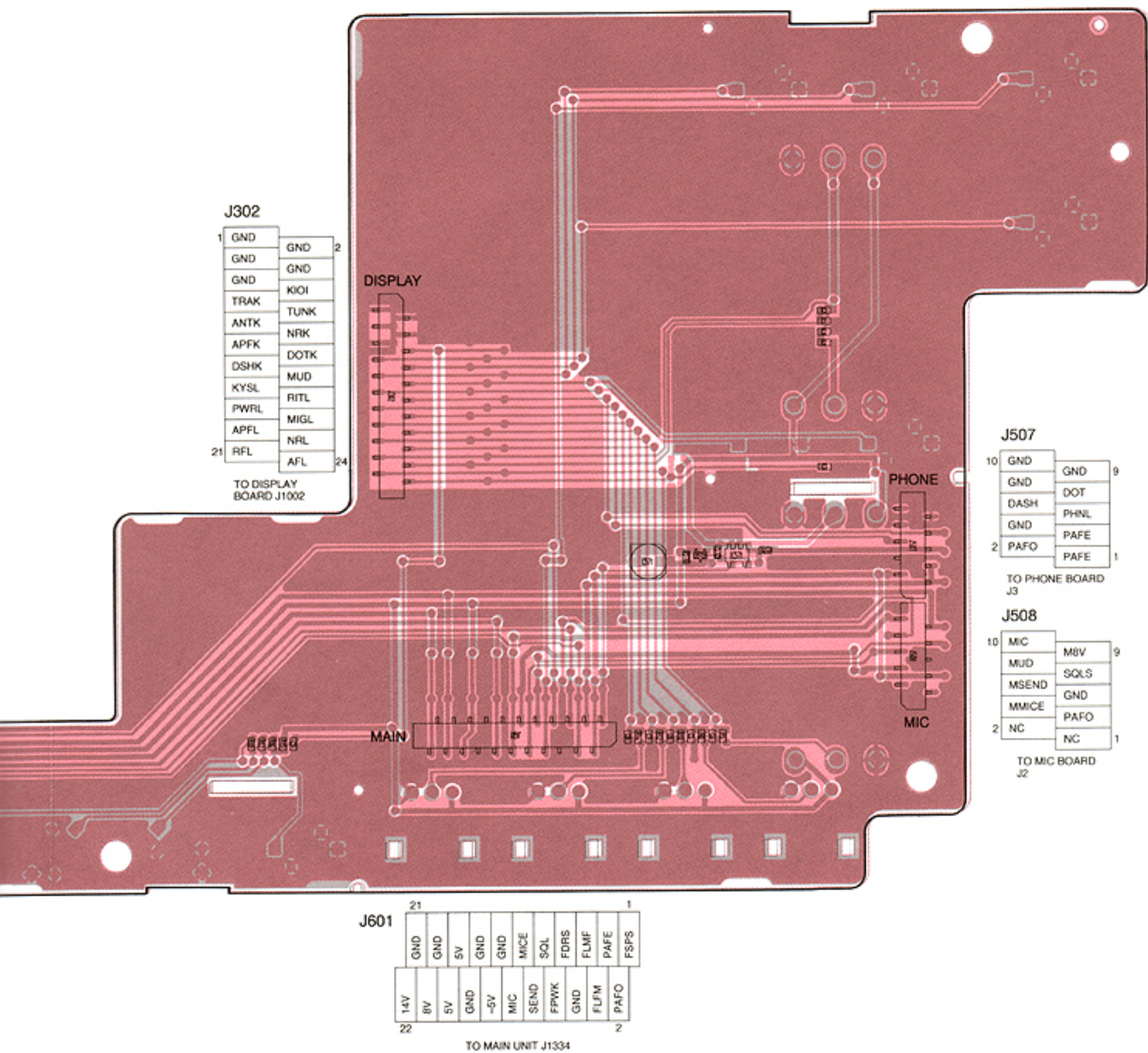
MONITOR

SPEECH

LOCK

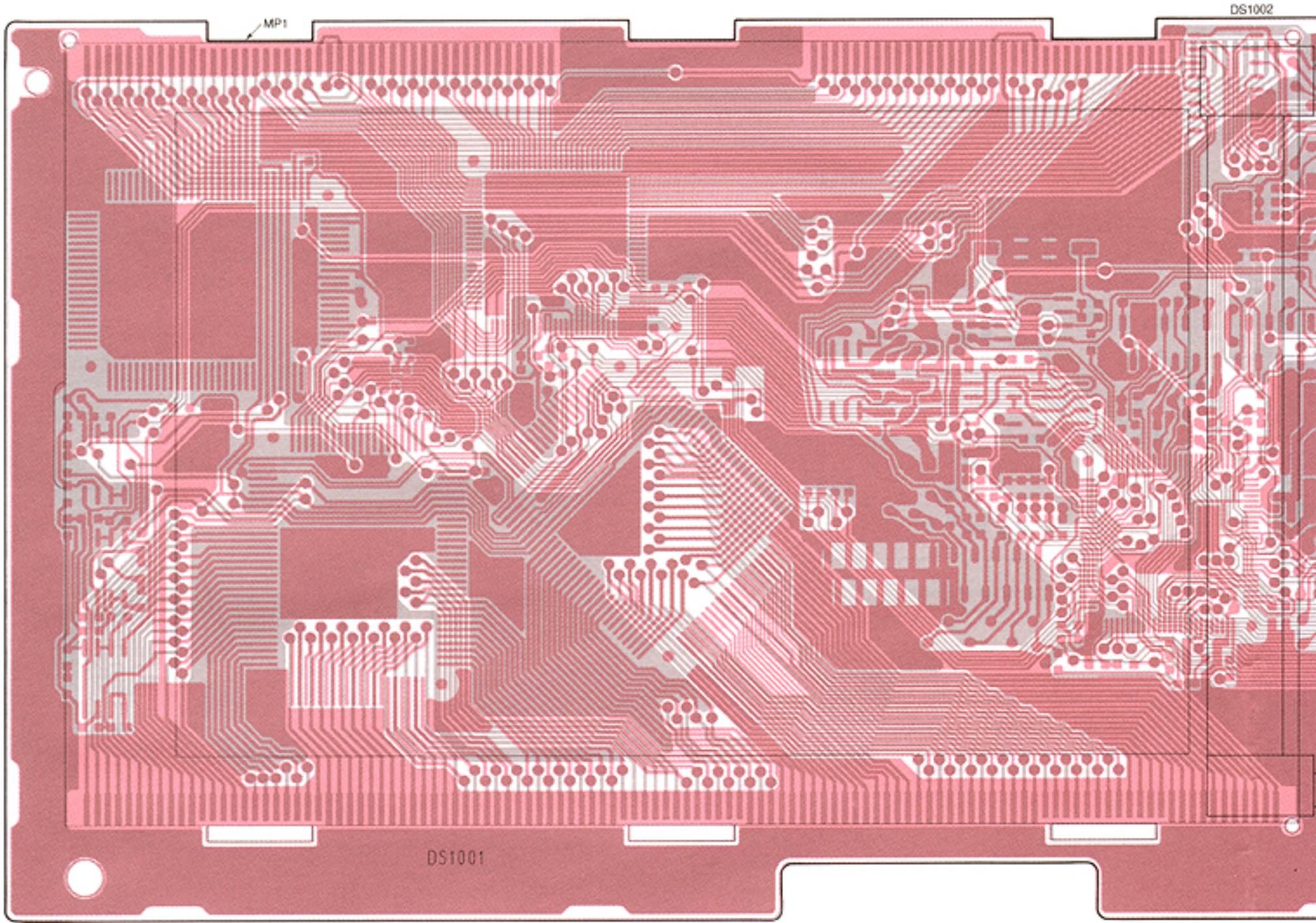
● S-LOGIC BOARD (BOTTOM VIEW)



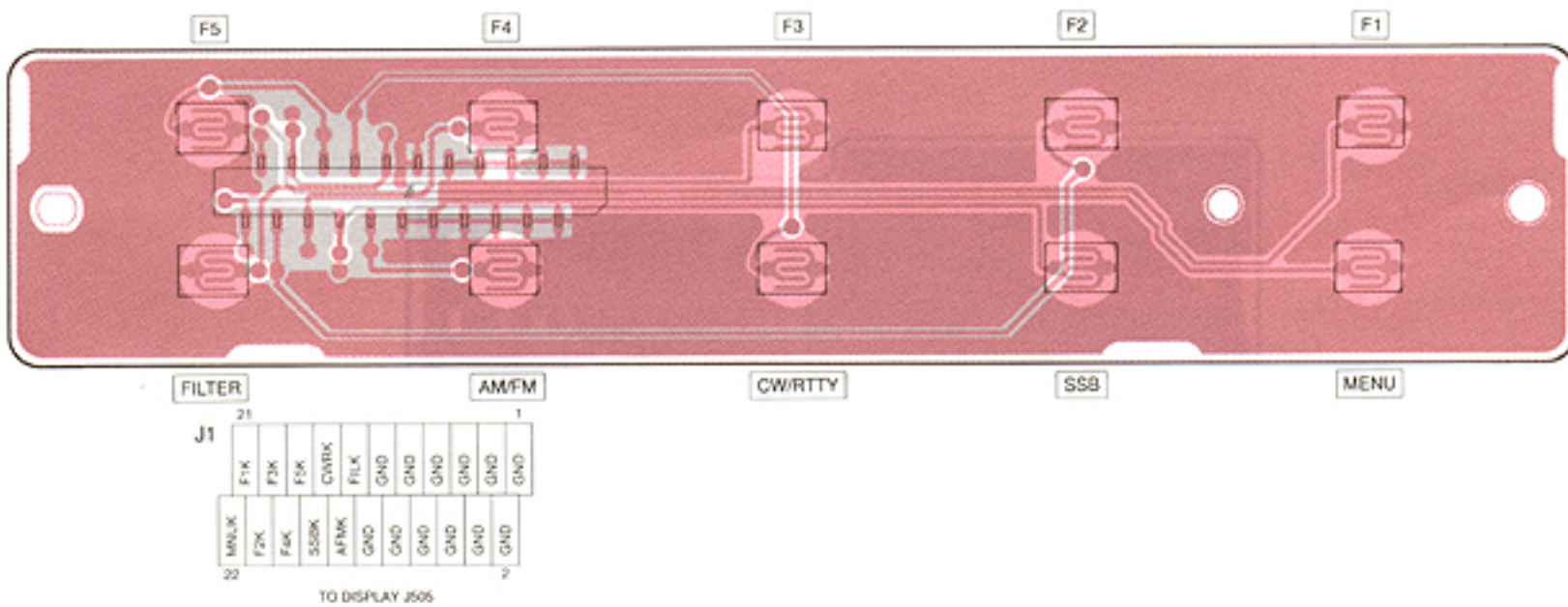


Downloaded by
RadioAmateur.EU

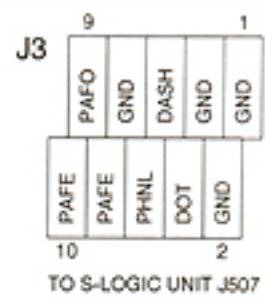
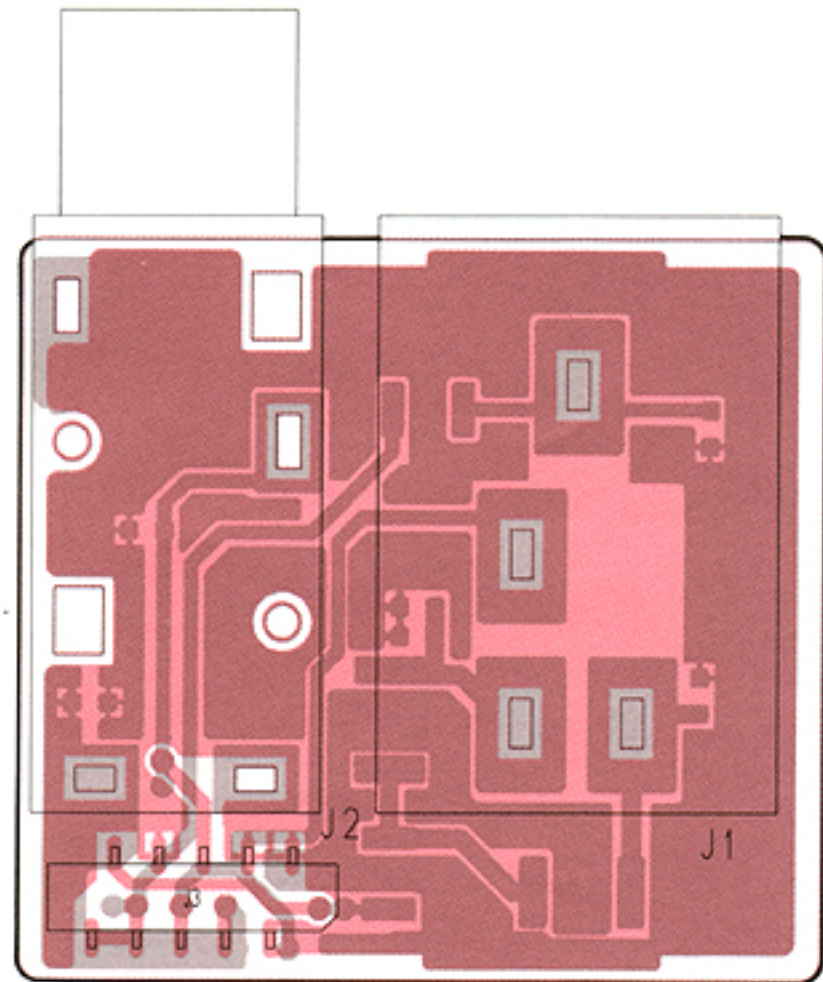
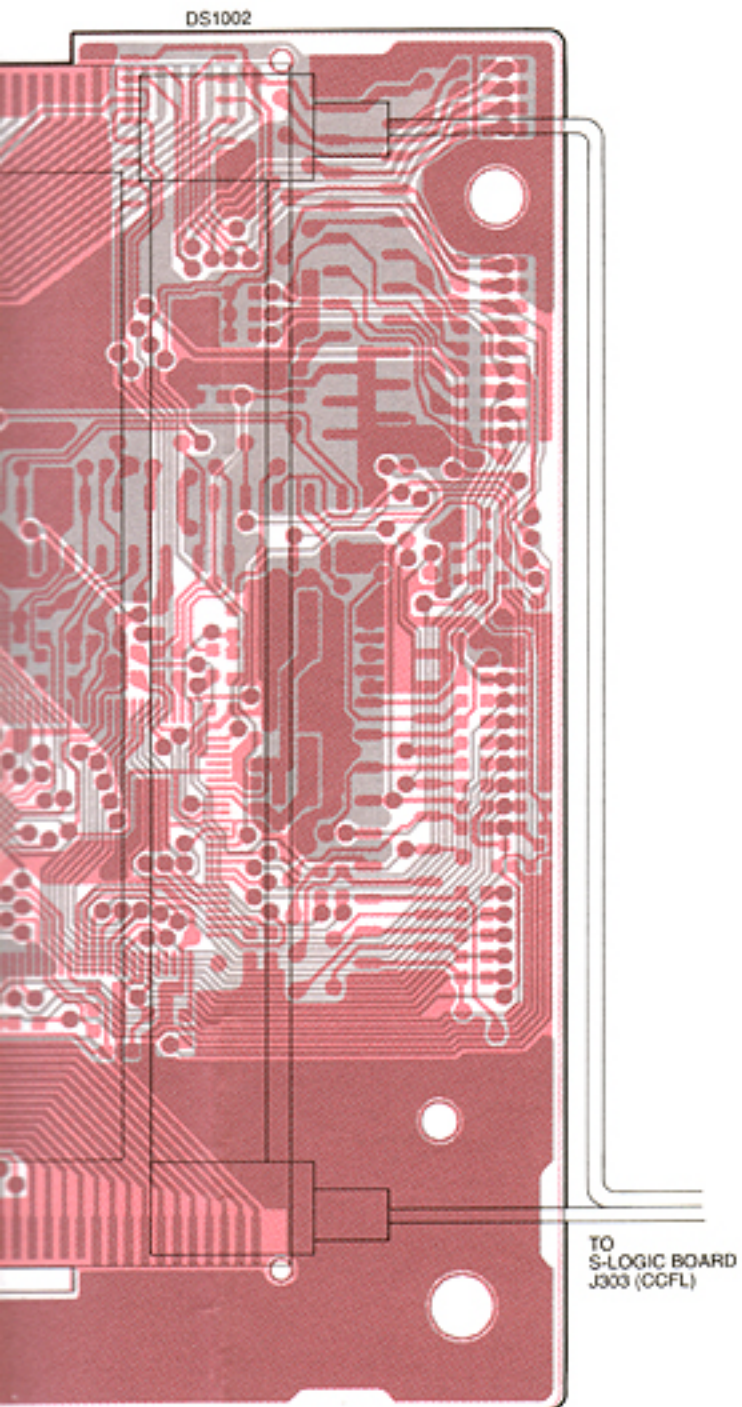
9-2 DISPLAY BOARD (TOP VIEW)



9-3 MODE BOARD

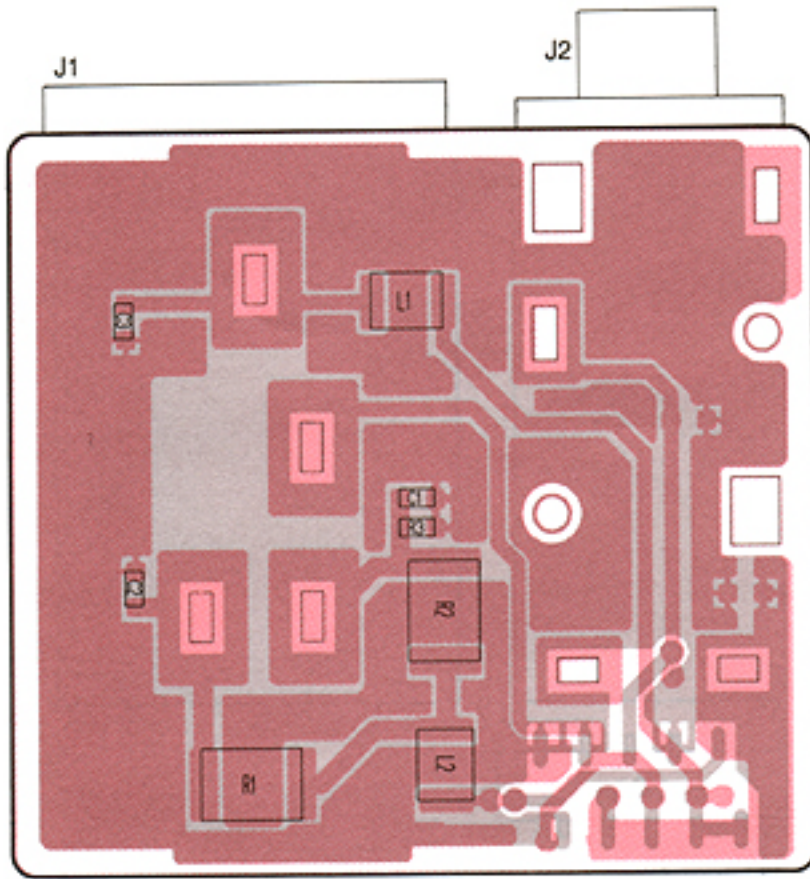


9-4 PHONE BOARD (TOP VIEW)

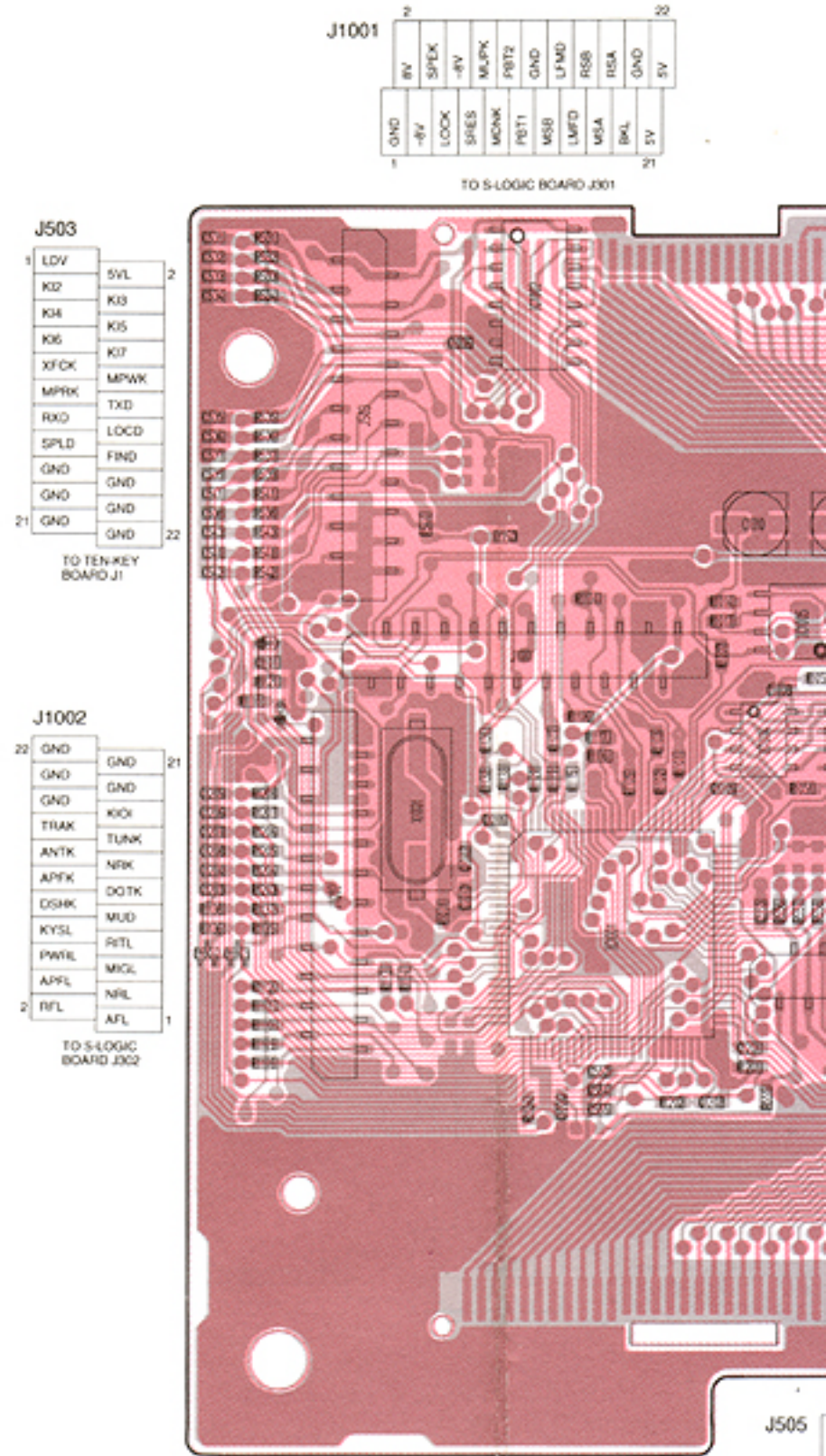


Downloaded by
RadioAmateur.EU

● PHONE BOARD (BOTTOM VIEW)

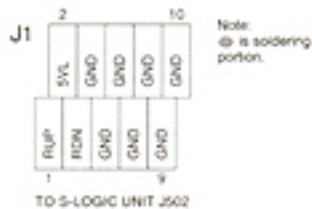
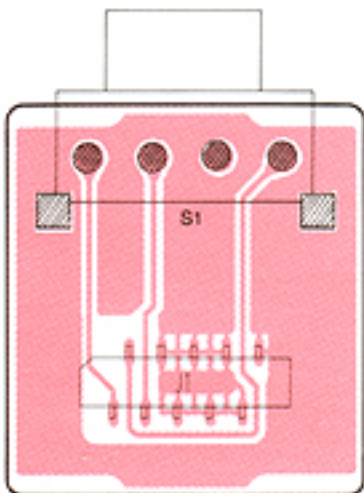


● DISPLAY BOARD (BOTTOM VIEW)

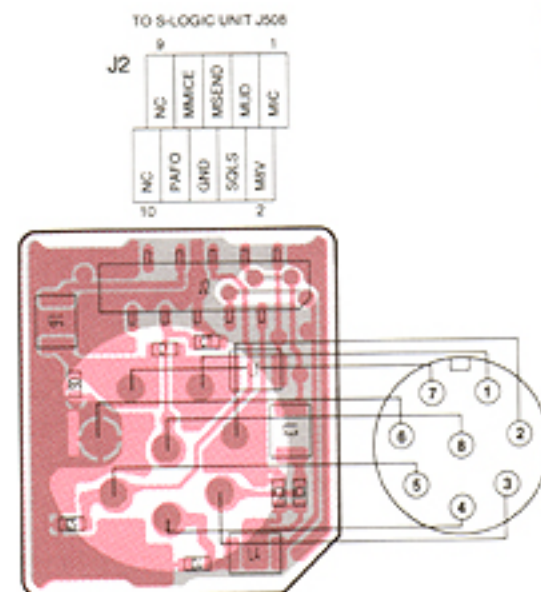


9-5 PBT, RIT AND MIC BOARDS

● RIT BOARD

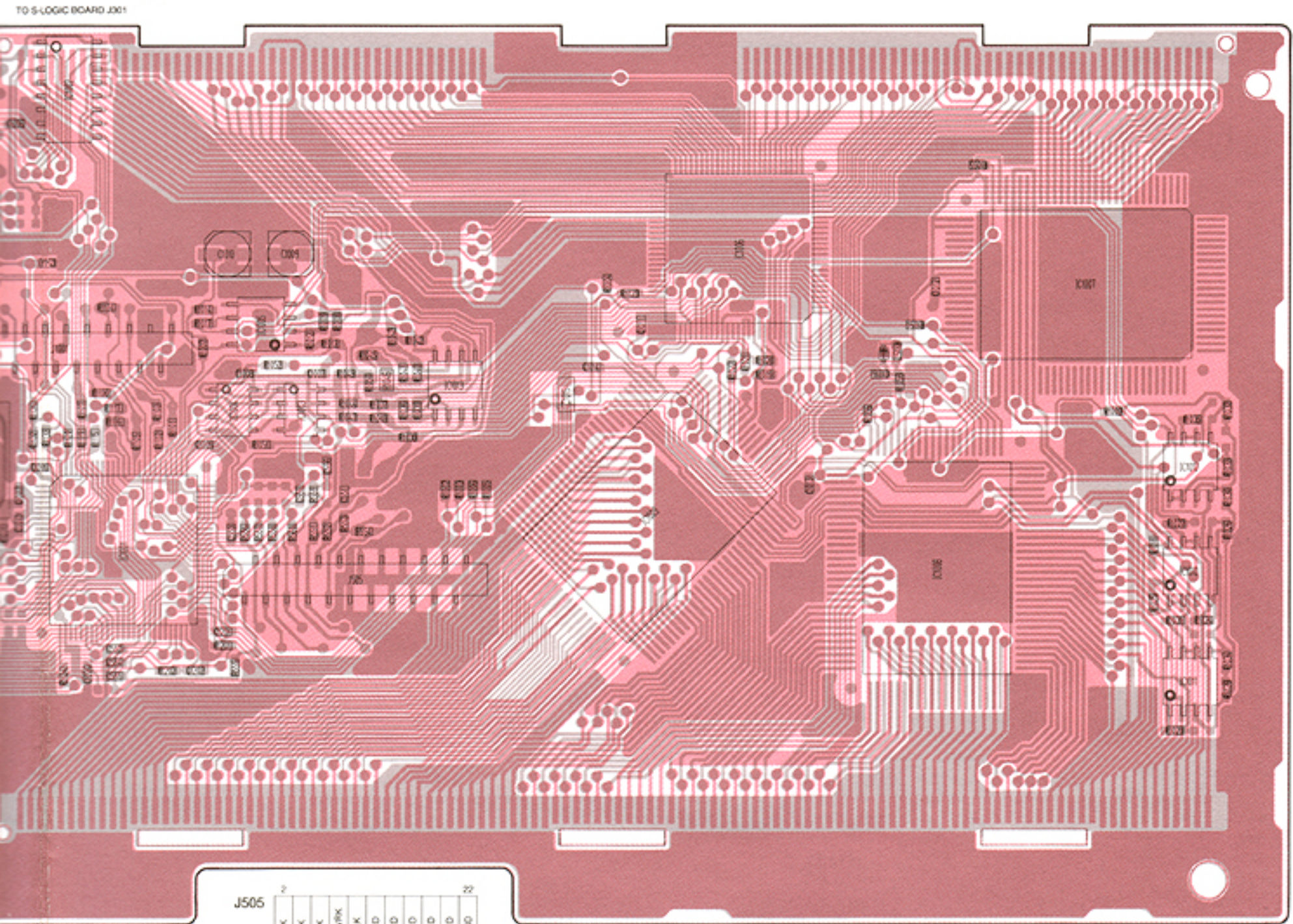


● MIC BOARD



M VIEW)

LOCK	-4V
SRES	MURK
MONK	PBT2
PBT1	GND
MSB	LFMD
LMFO	FISB
MSA	RSA
BKL	GND
5V	5V

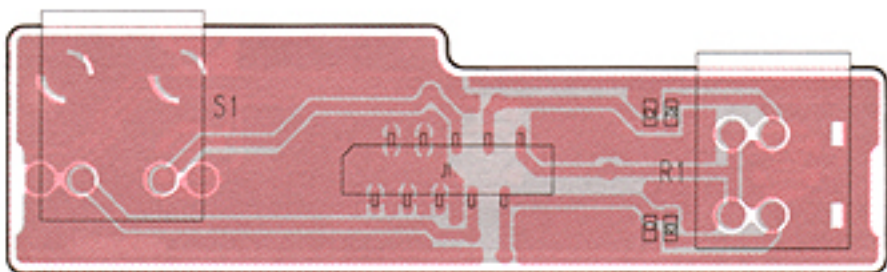


J505

1	2	3	4	5	6	7	8	9	10	11	12	13	14	15	16	17	18	19	20	21	22
MPUR	FKC	FKK	FKL	FKM	FKN	FKO	FKP	FKQ	FKR	FKS	FKT	FKU	FKV	FKW	FKX	FKY	FKZ	FKAA	FKAB	FKAC	FKAD

TO MODE BOARD J1

● PBT BOARD



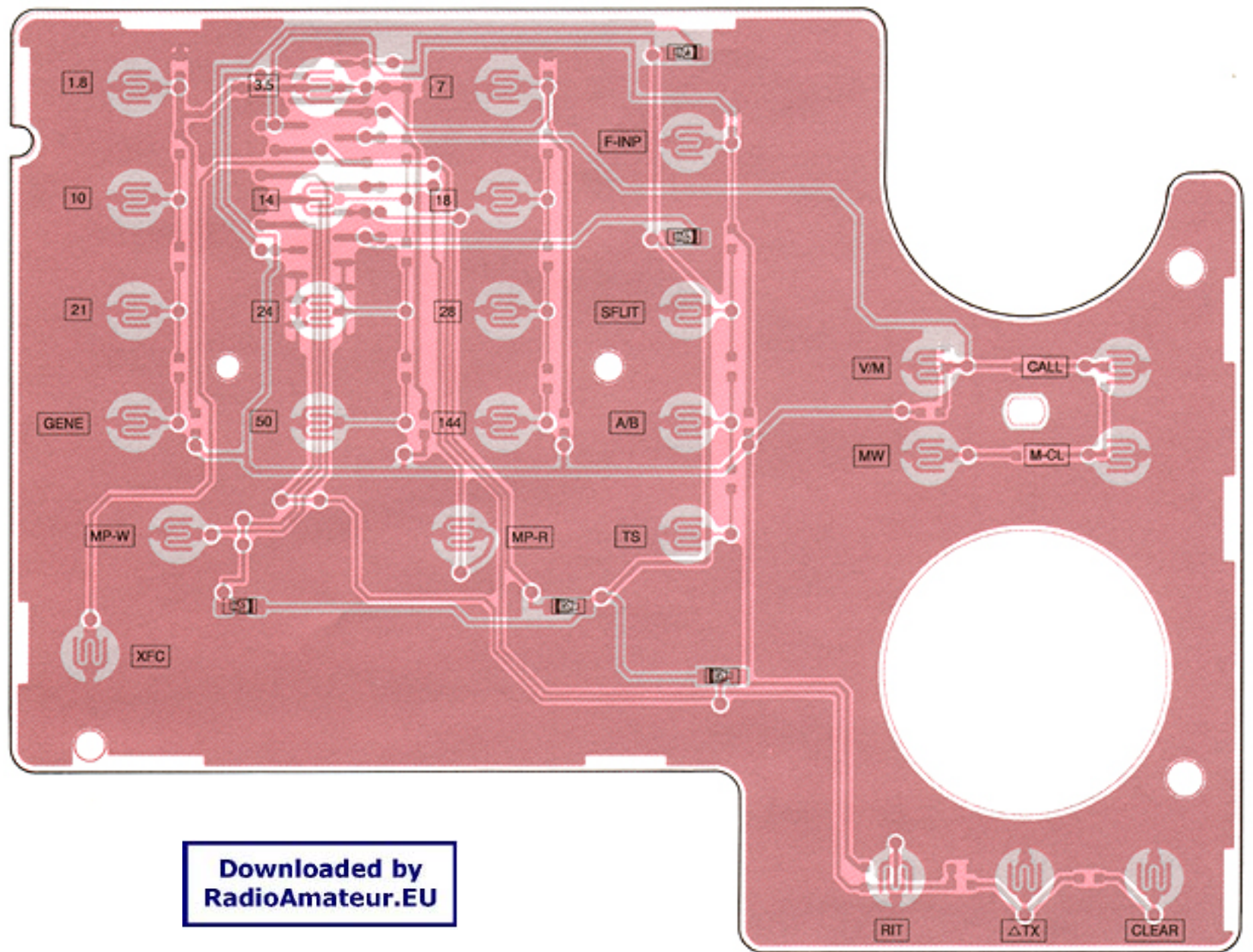
J1

1	2	3	4	5	6	7	8	9	10
GND	GND	GND	GND	MONK	PBT2	5V			
				MURK	PBT1				

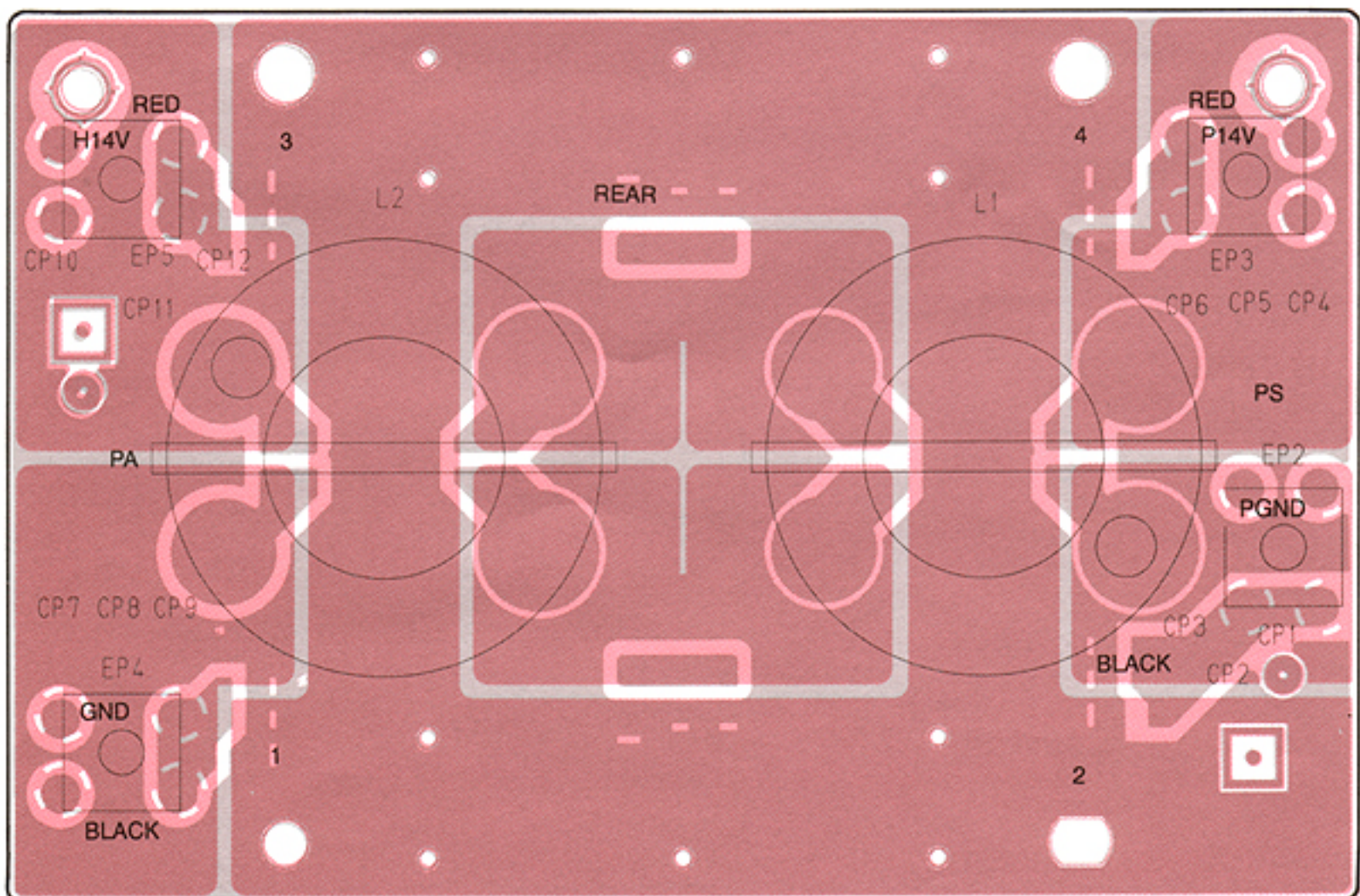
TO S-LOGIC UNIT J501

9-6 TENKEY AND FILTER BOARDS

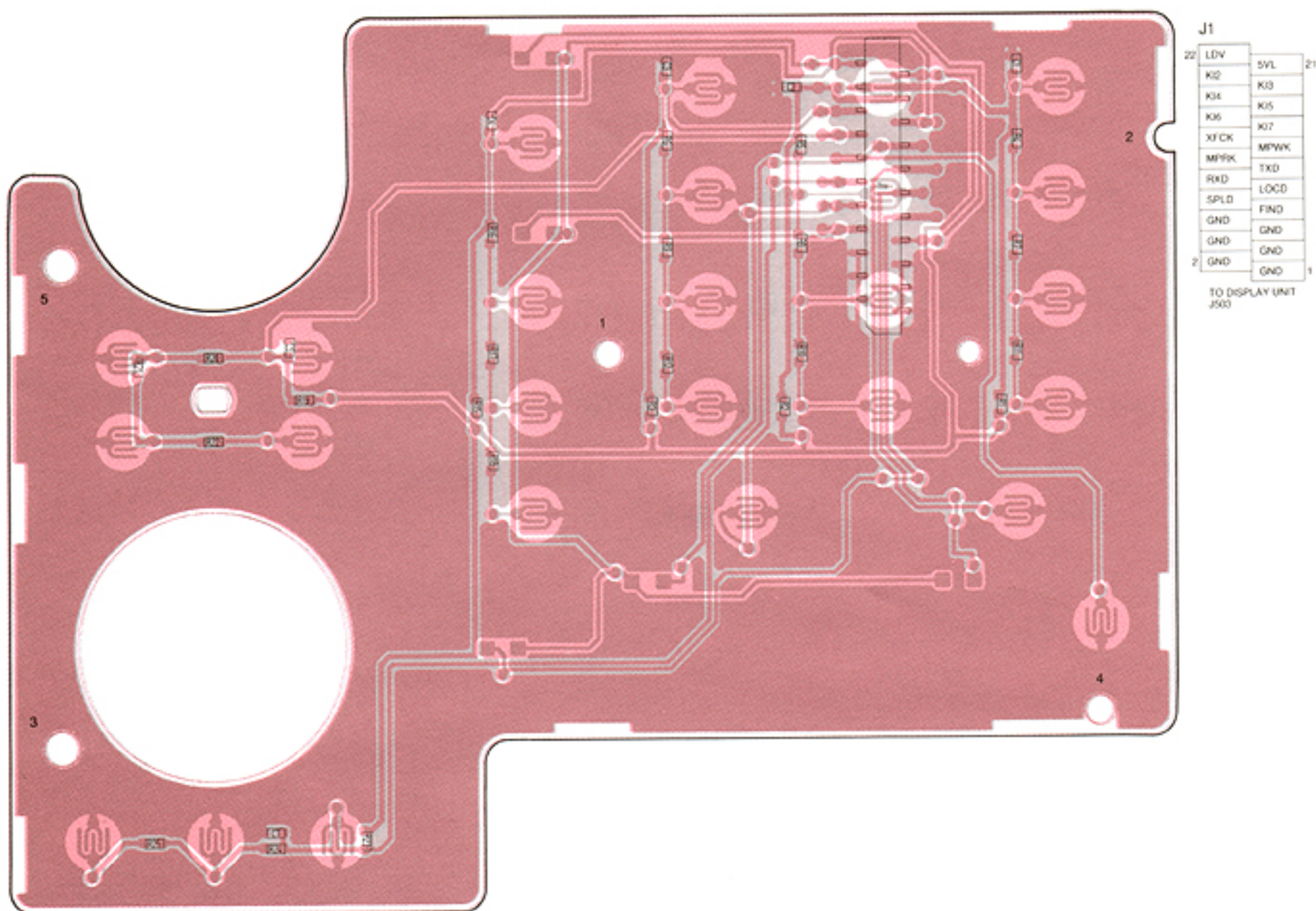
● TENKEY BOARD (TOP VIEW)



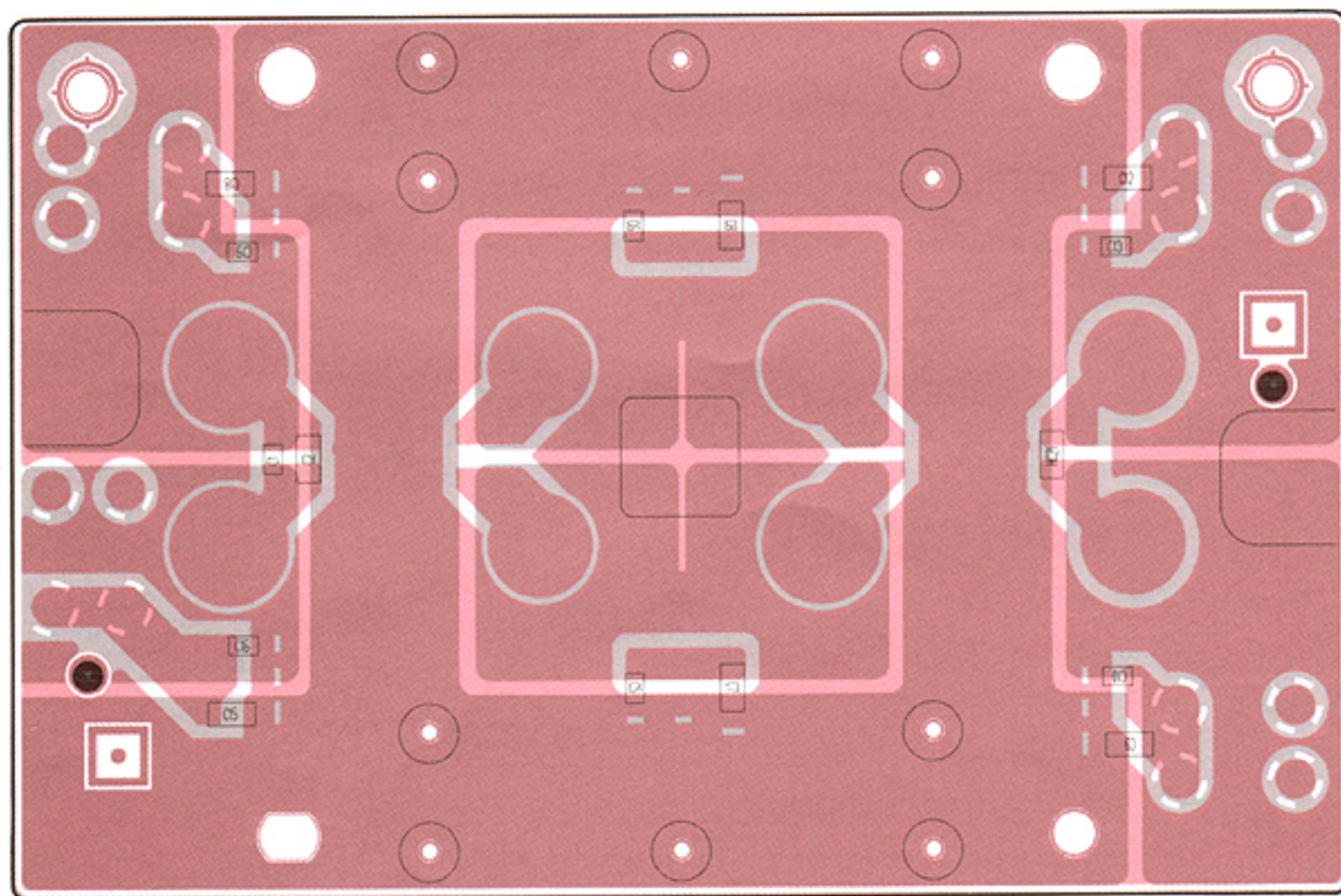
● FILTER BOARD (TOP VIEW)



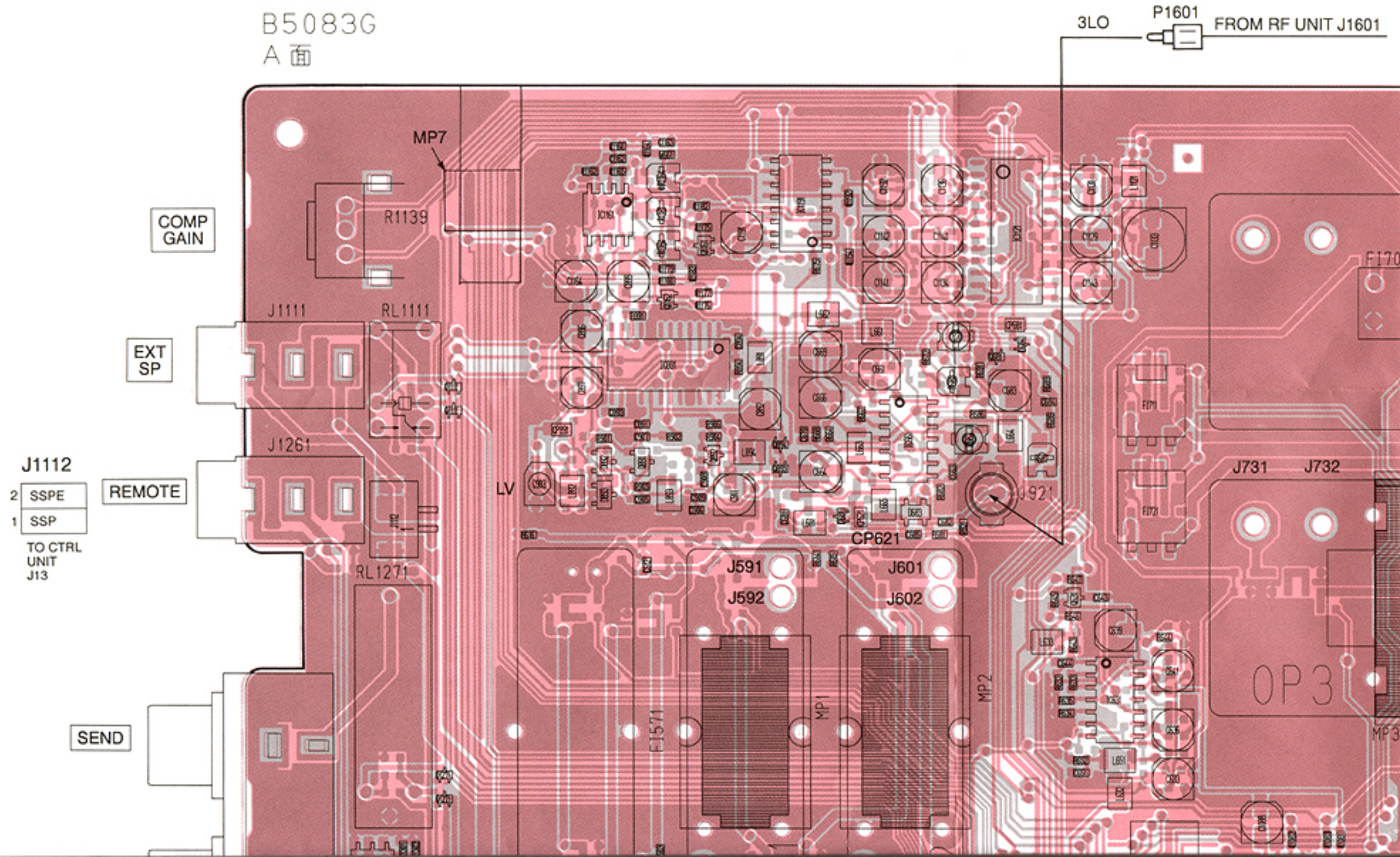
● TENKEY BOARD (BOTTOM VIEW)

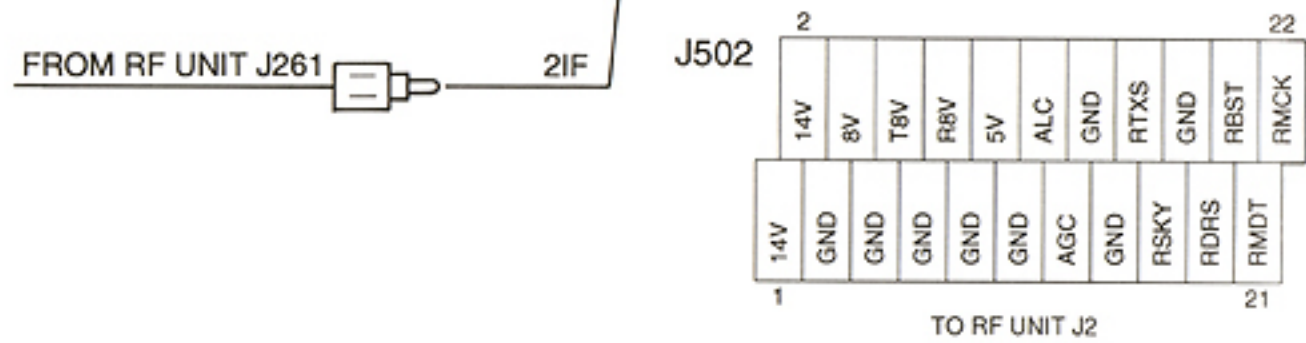
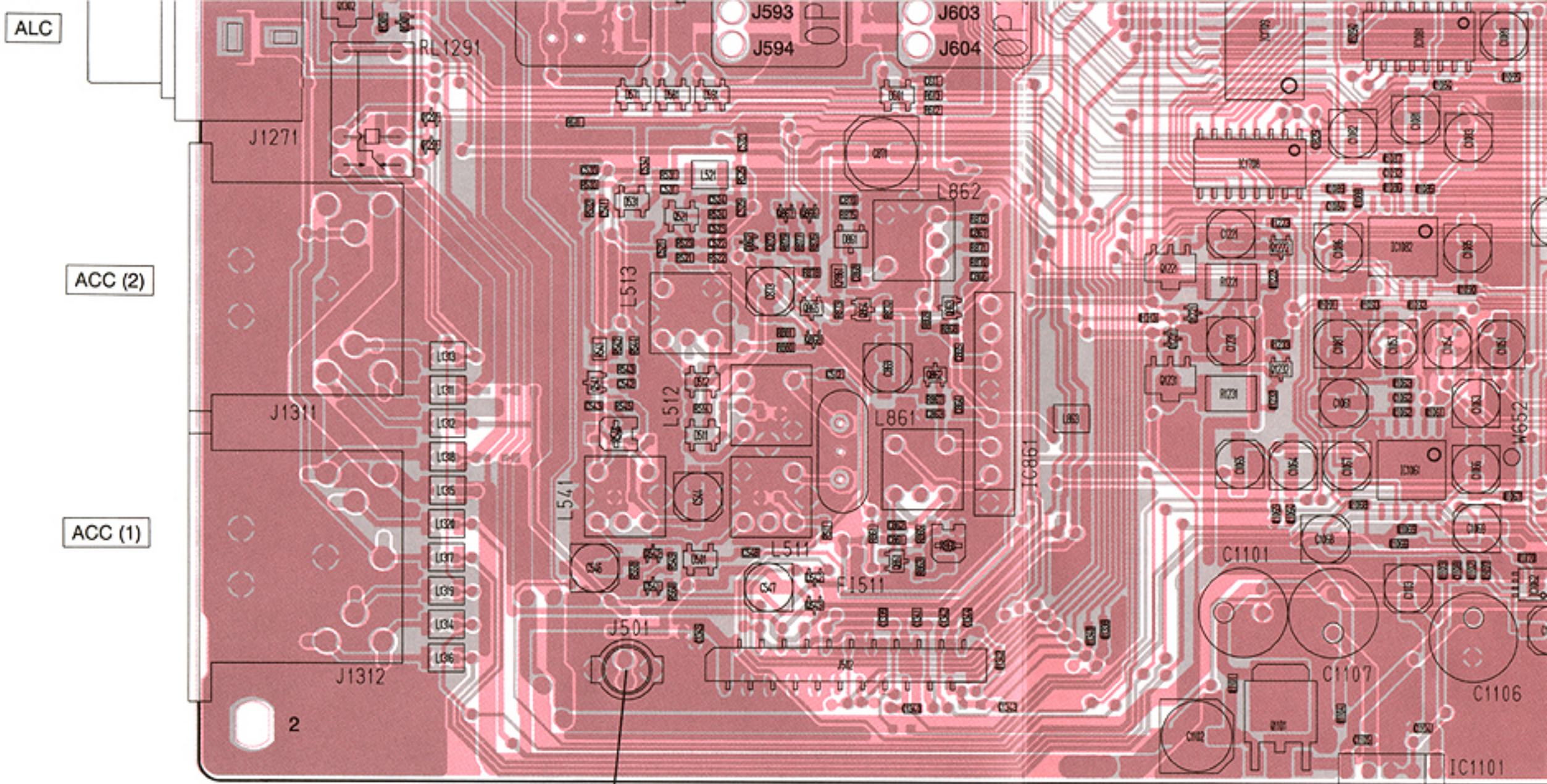


● FILTER BOARD (BOTTOM VIEW)



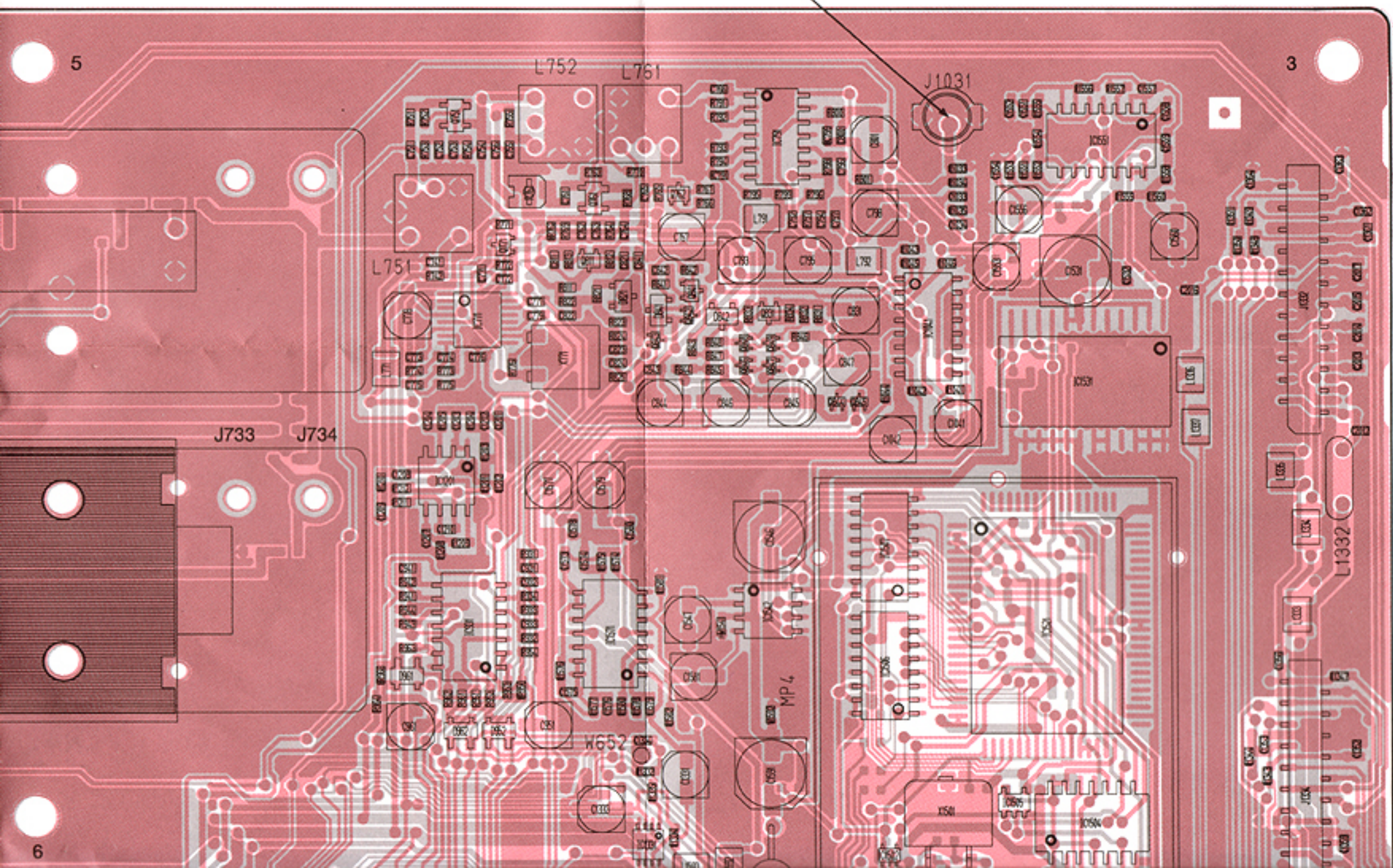
9-7 MAIN UNIT (TOP VIEW)





Downloaded by
RadioAmateur.EU

FROM RF UNIT J1701 4LO



J1332

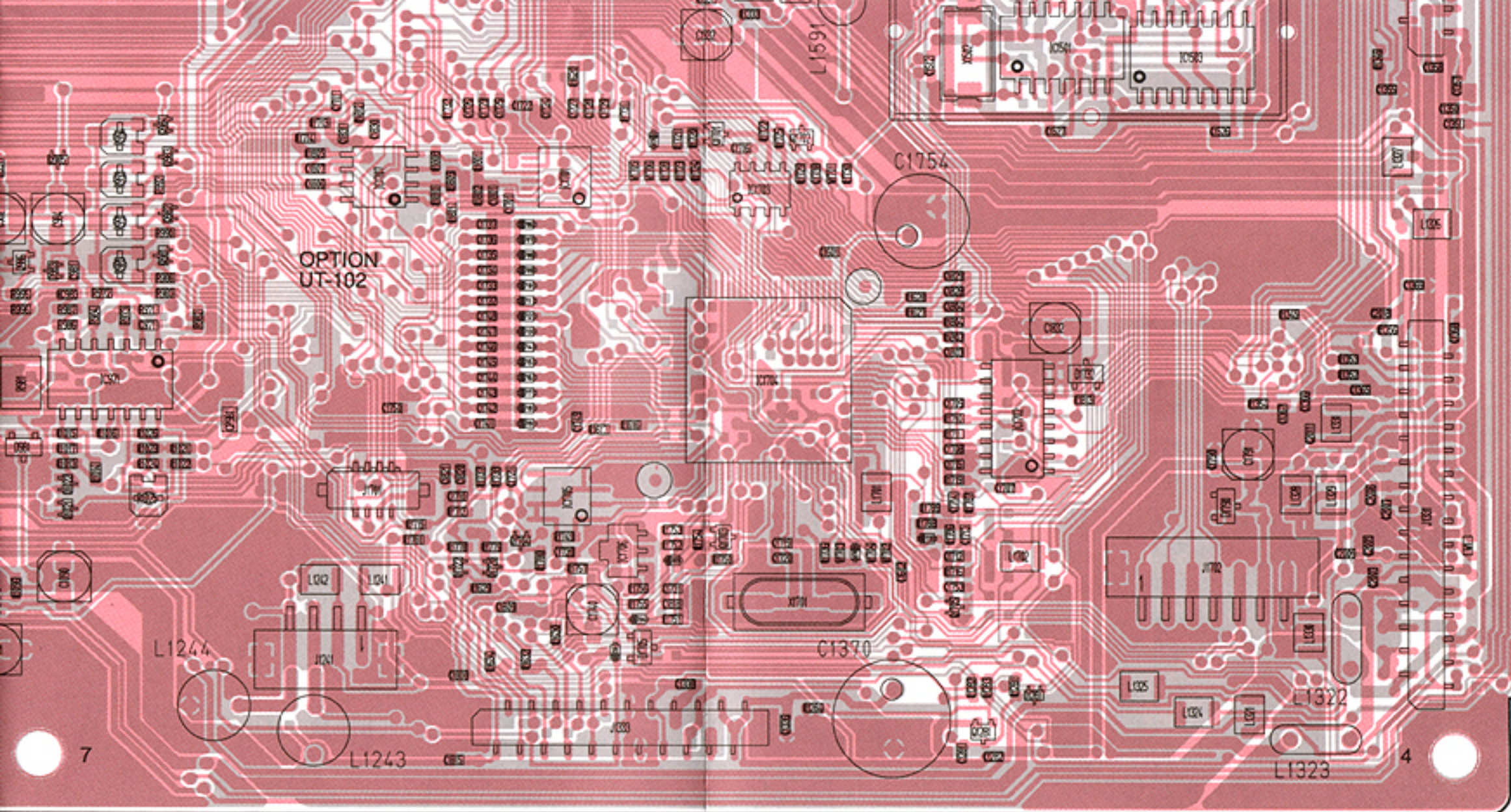
22	CIKY	CIST	21
	GND	CANT	
	GND	CDRS	
	GND	CREF	
	CFOR	GND	
	GND	C-5V	
	GND	C5V	
	C5V	GND	
	GND	CT8V	
	GND	C14V	
2	C14V	C14V	1

TO CTRL UNIT J7

J1334

22	FSPS	PAFO	21
	PAFE	FLFM	
	FLMF	GND	
	FDRS	FPWK	
	SQL	SEND	
	MICE	MIC	
	GND	-5V	
	GND	GND	

TO S-LOGIC UNIT J601



5V	5V
GND	8V
2 GND	14V
	1

J1331

30	PPNS	PDRS	29
	P4SB	PMDT	
	PMCK	P5V	
	P5V	PH5V	
	GND	P8V	
	P8V	GND	
	PT8V	GND	
	PVRF	PVFR	
	GND	PGND	
	PICL	PICH	
	P14A	P14A	
	P14V	P14V	
	P14V	P14V	
	P14V	P14V	
	P14V	P14V	
2	P14V	PHV	1

TO PA UNIT J2

J1241

4	GND	1
	E14V	
	ESY	
	EKY	

TO EXTUNER
41

J1701

	SPCH	
	SPCE	
	ICK	
	GND	
	SPST	

J1333

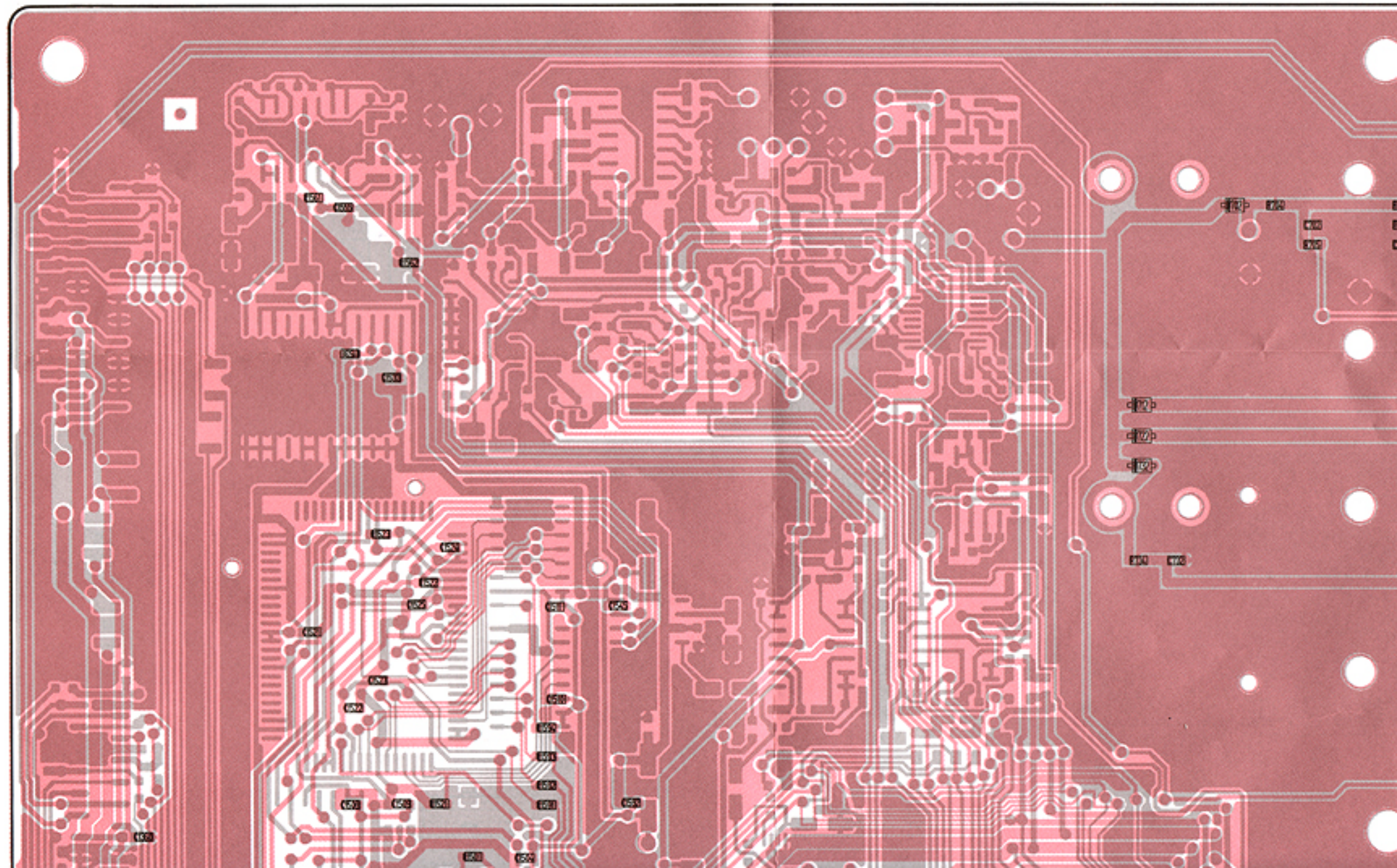
2	PCK	22
	PST5	
	PST3	
	PST1	
	FSKK	
	GND	
	5V	
	GND	
	8V	
	14V	
	14V	
1	CON2	21
	PDAT	
	PST4	
	PST2	
	LDRS	
	UNLC	
	GND	
	5V	
	8V	
	GND	
	14V	

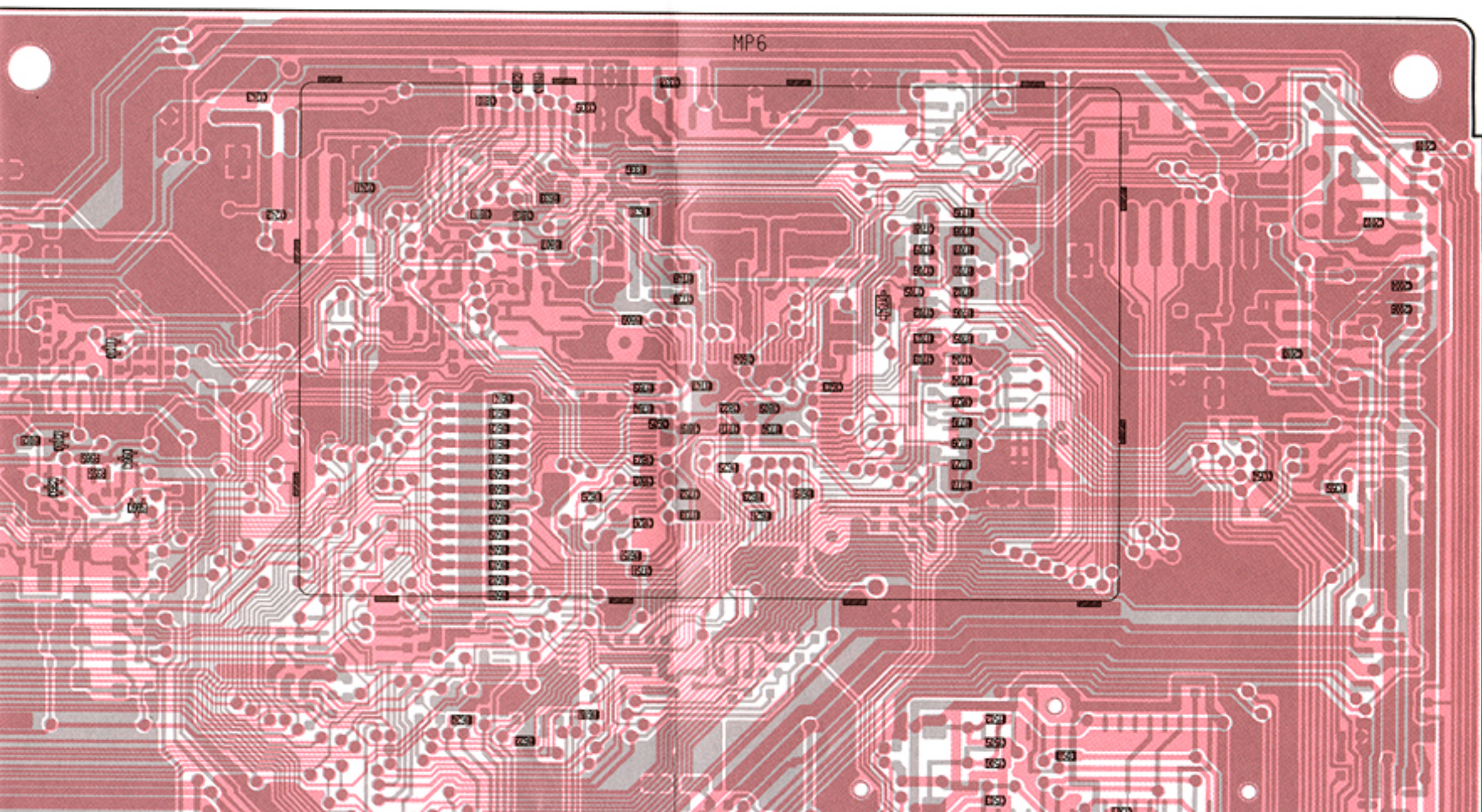
TO RF UNIT J1001

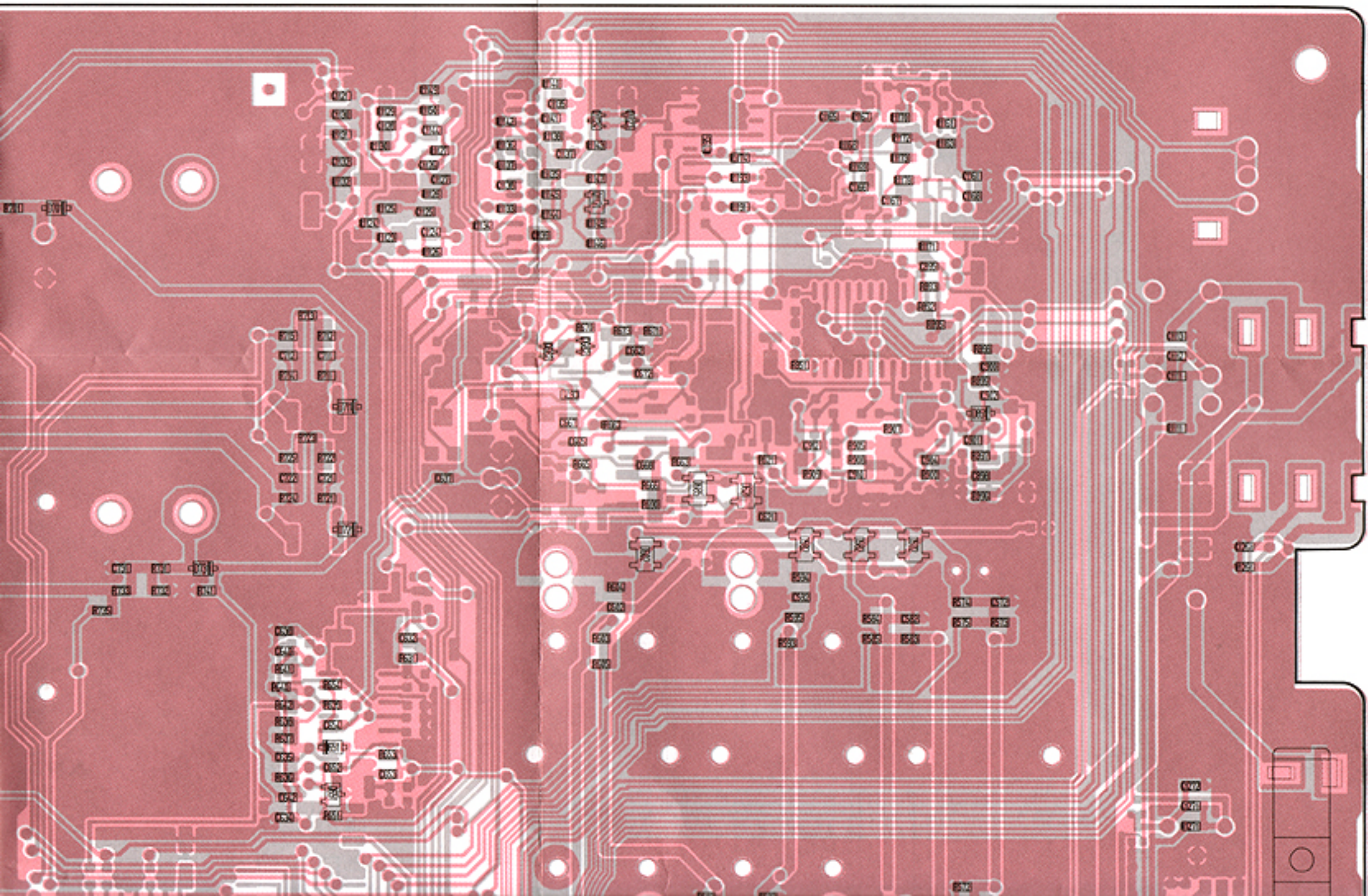
J1702

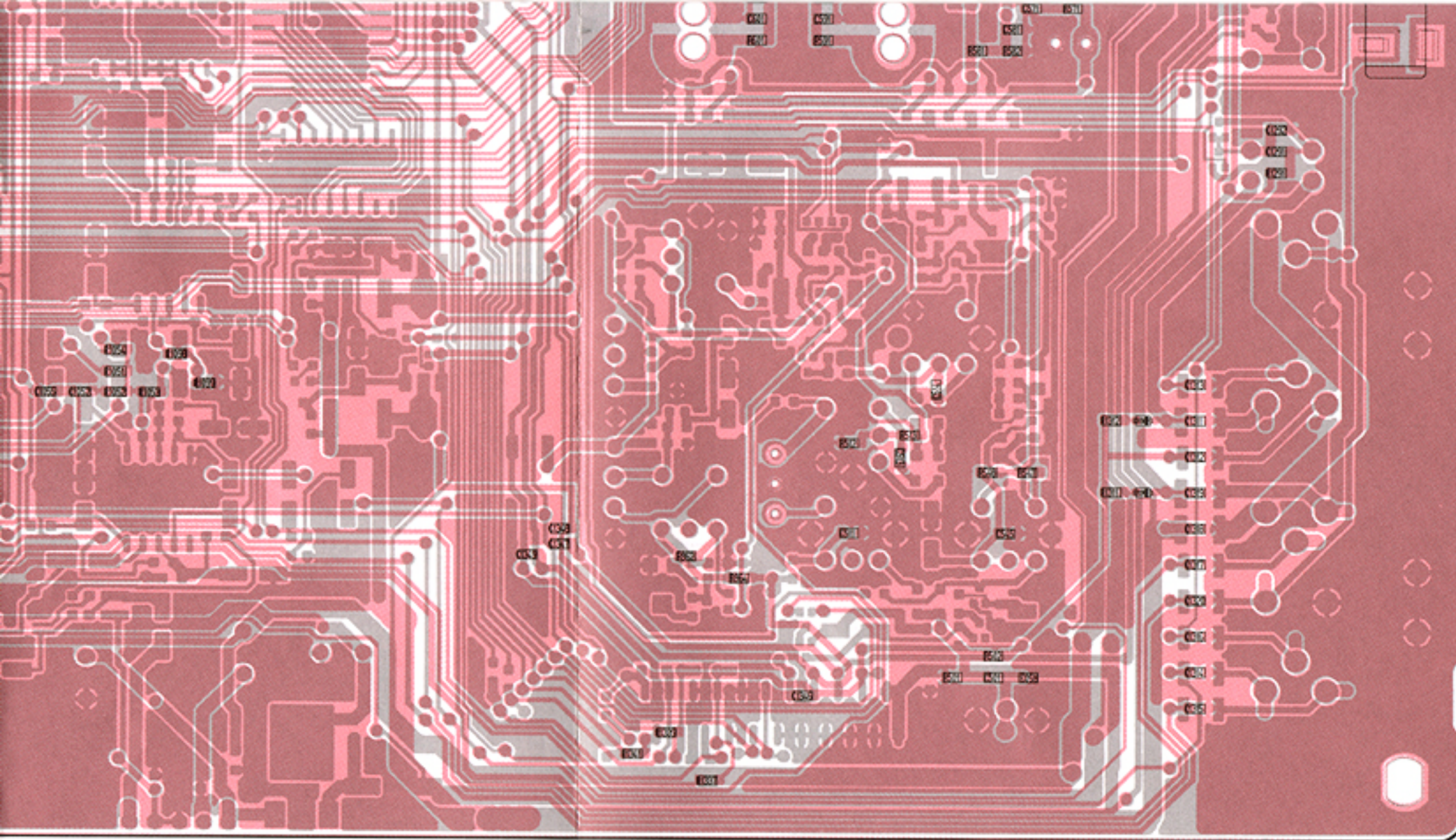
1	FZVP	7
	FZMD	
	FZRS	
	FZTX	
	FZRX	
	FZTE	
	Z5V	

● MAIN UNIT (BOTTOM VIEW)







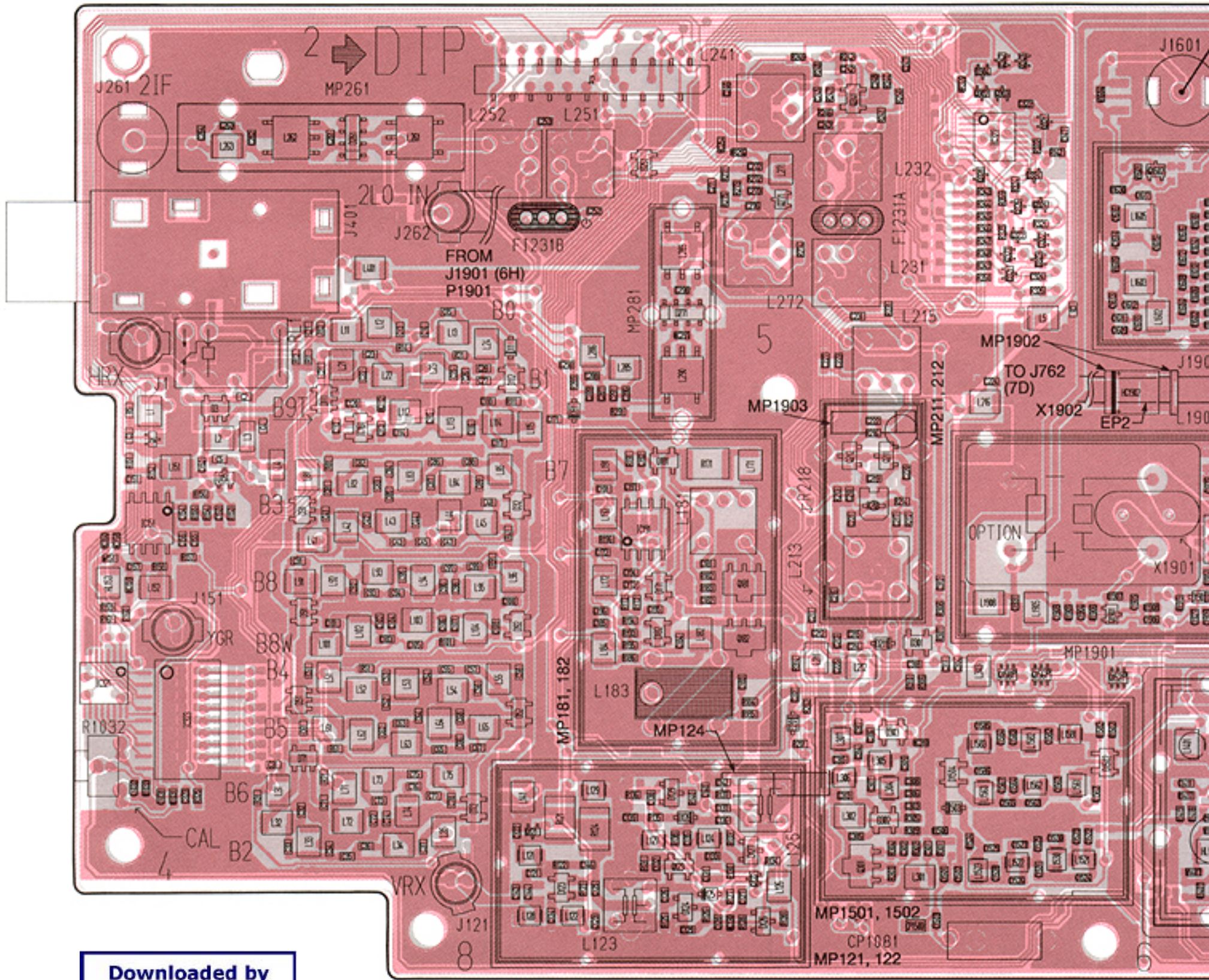


83

9-8 RF UNIT (TOP VIEW)

TO MAIN UNIT J502

21	14V	8V	T8V	R8V	5V	ALC	GND	RTXS	GND	RBST	RMCK	1
22	14V	GND	GND	GND	GND	GND	AGC	GND	RSKY	RDRS	RMTD	2



Downloaded by RadioAmateur.EU

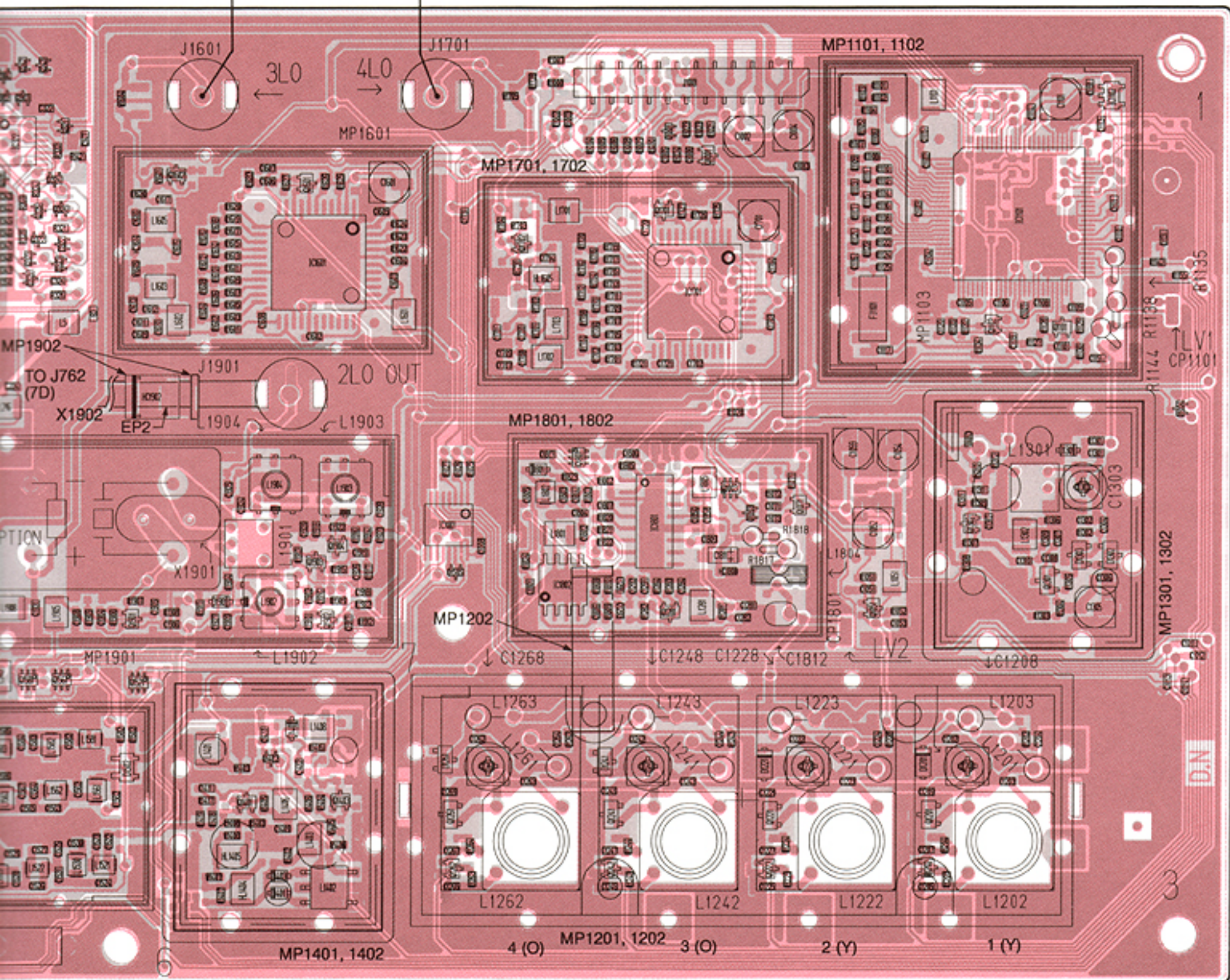
Note: ● is soldering portion.

TO MAIN UNIT J921
P1601

TO MAIN UNIT J1031
P1701

TO MAIN UNIT J1333

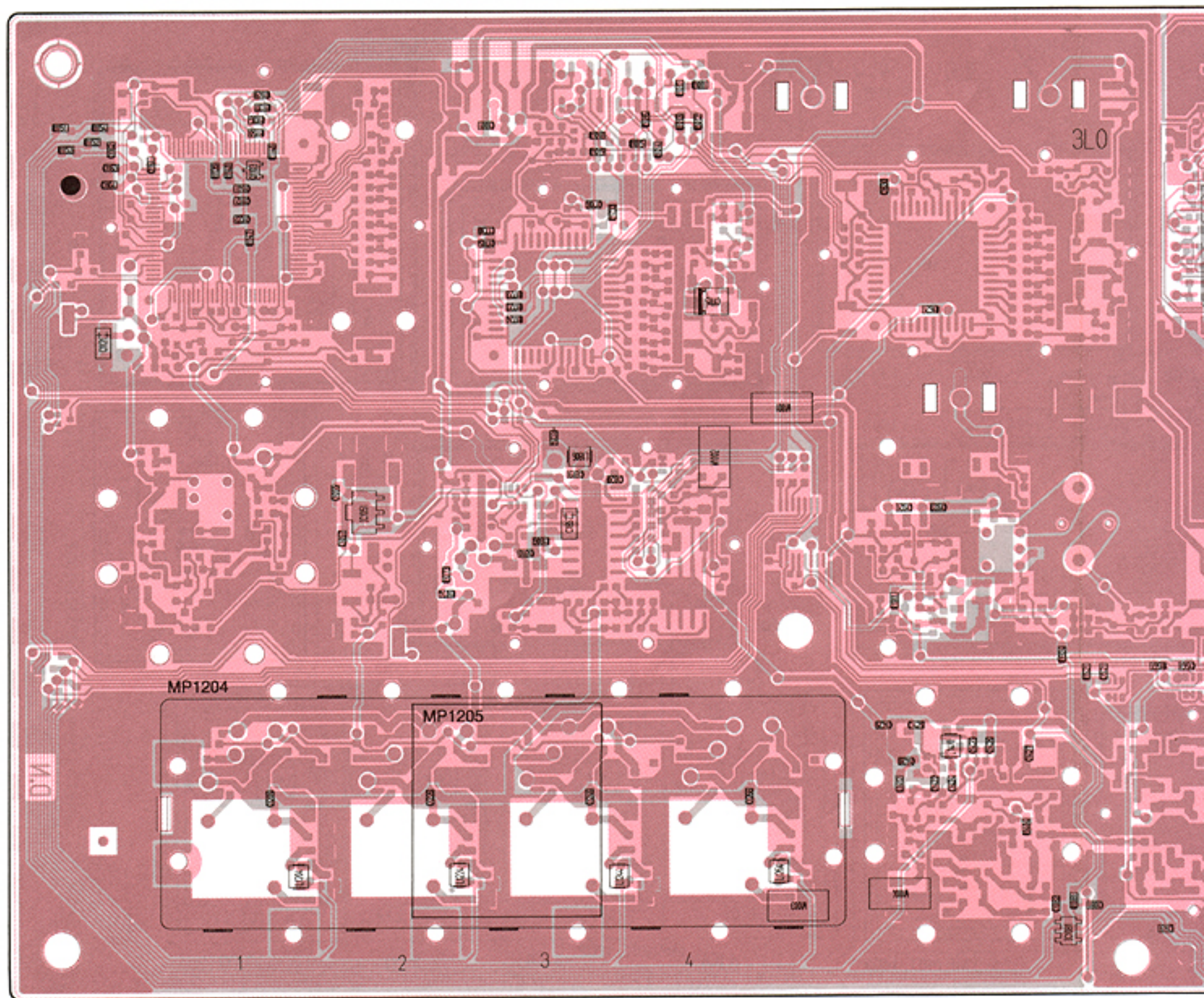
21	PCK		1
	PST5		
	PST3		
	PST1		
	FSKK		
	GND		
	5V		
	GND		
	8V		
	GND		
	14V		
	14V		
2	CON2		2
	PDAT		
	PST4		
	PST2		
	LDRS		
	UNLC		
	GND		
	5V		
	8V		
	GND		
	14V		

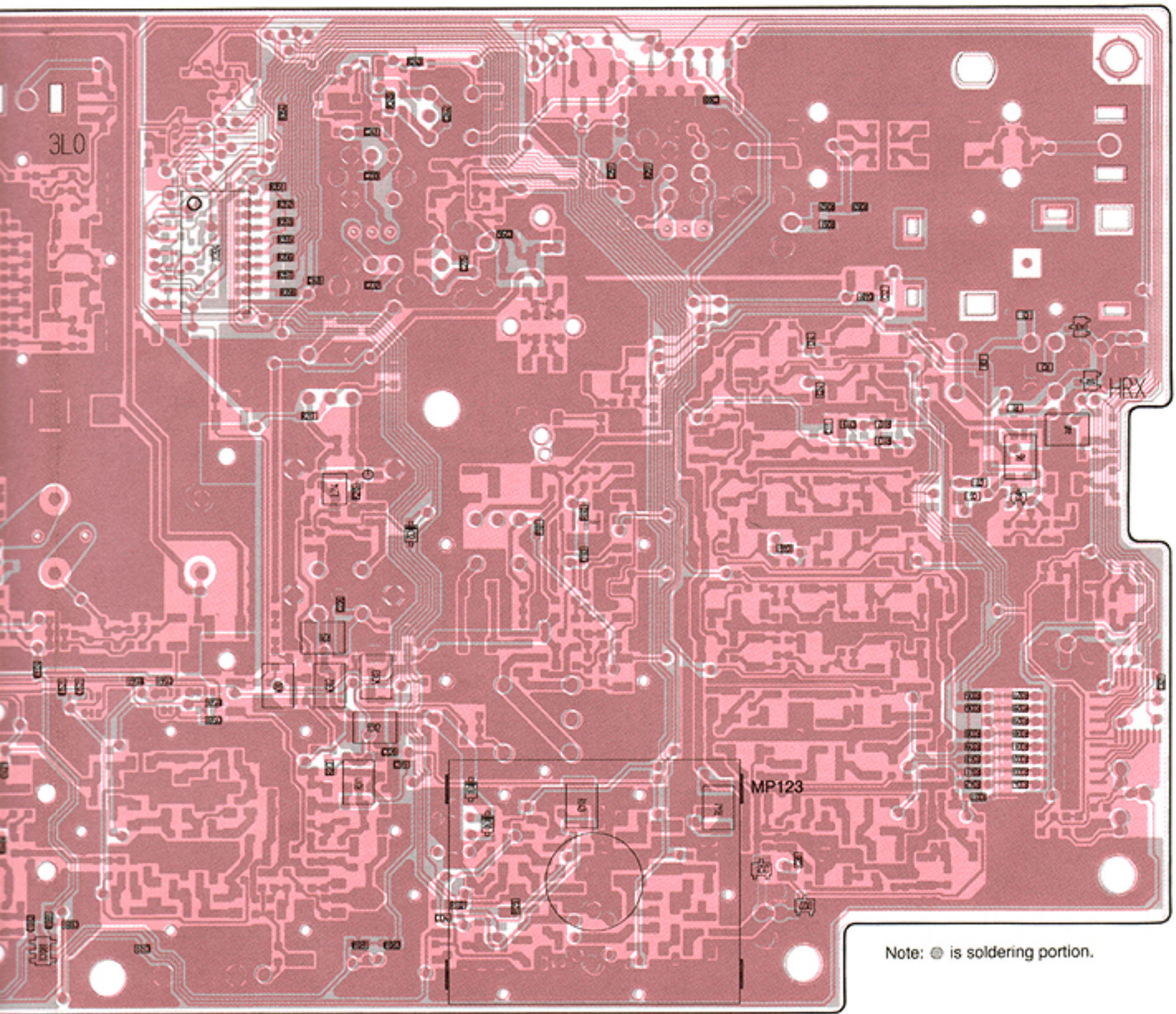


D.N

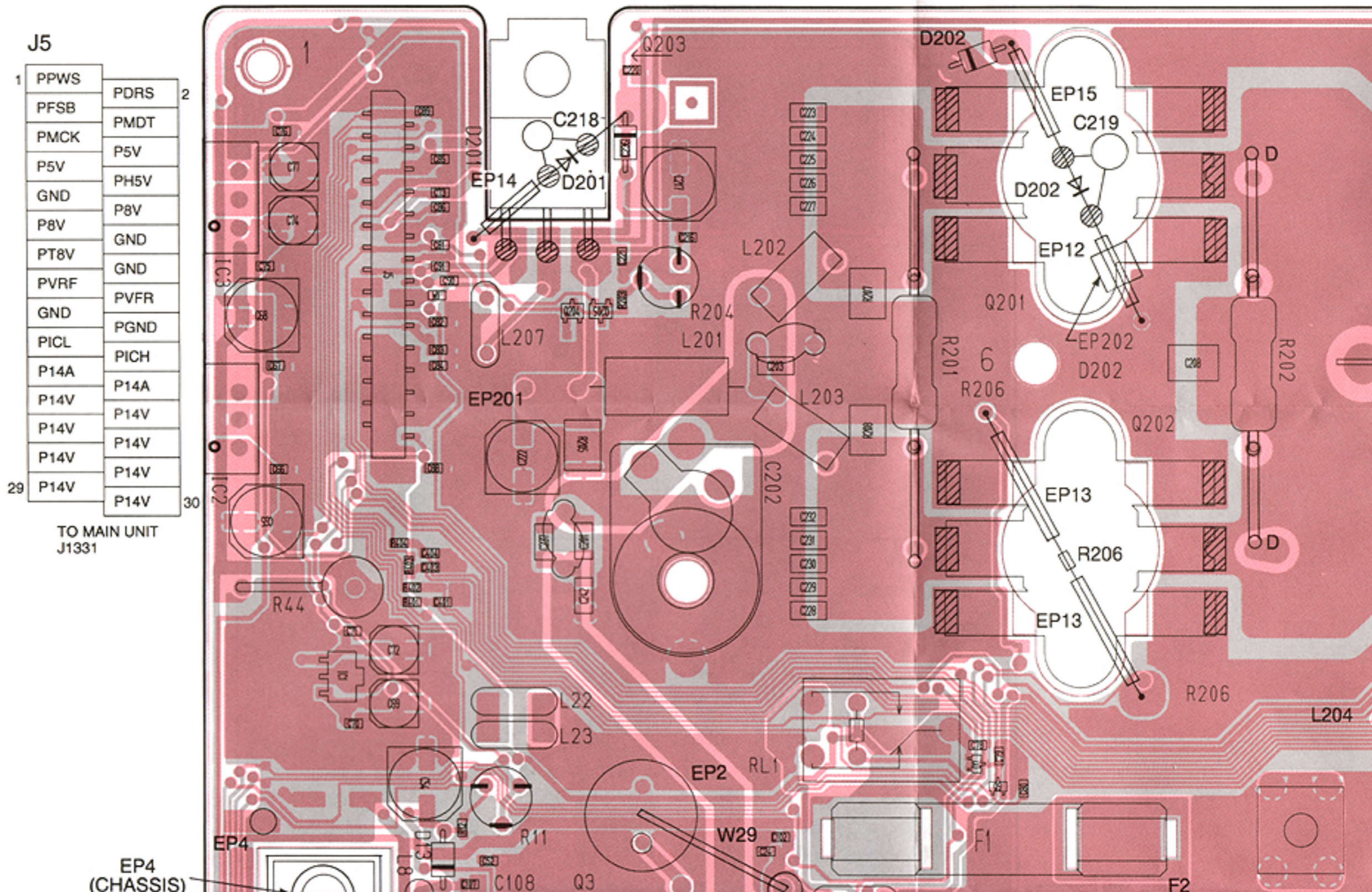
3

● RF UNIT (BOTTOM VIEW)

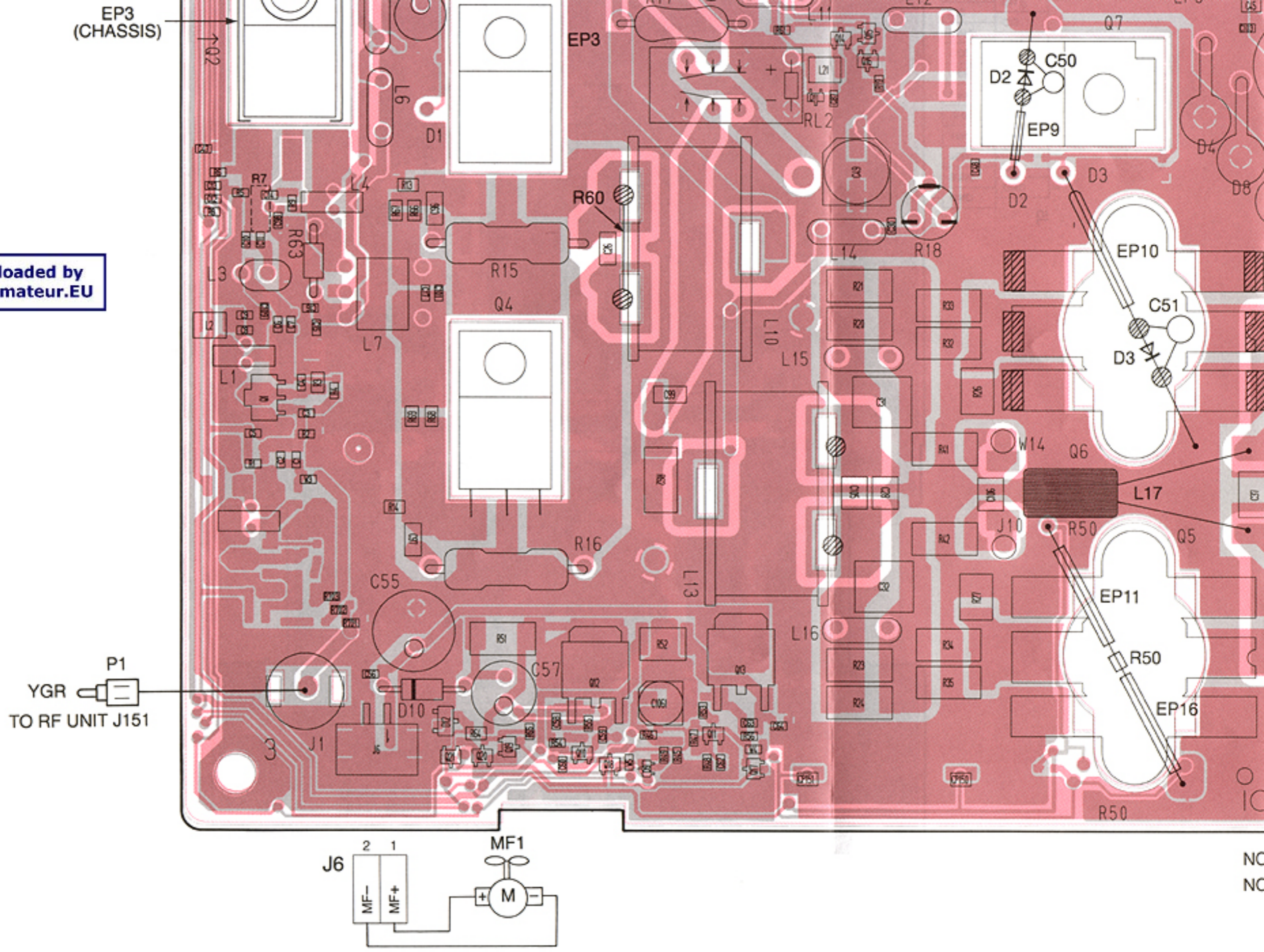


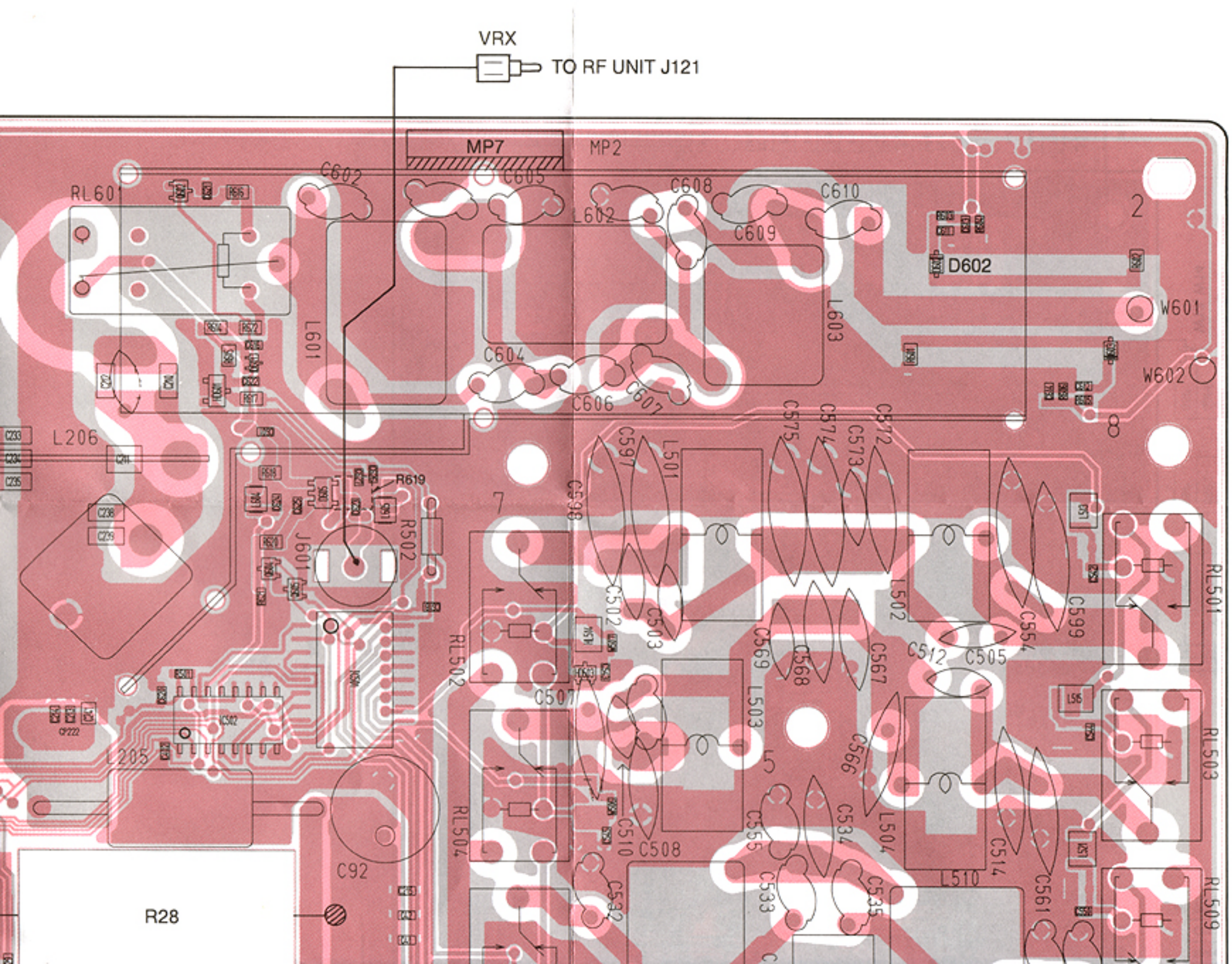


9-9 PA UNIT (TOP VIEW)



Downloaded by
RadioAmateur.EU





VRX

TO RF UNIT J121

MP7

MP2

RL60

C602

C605

L602

C608

C610

2

D602

W601

L601

C604

C606

C607

L603

W602

L206

R502

R501

J601

7

C597

C598

L501

C503

C575

C574

C573

C572

L502

C554

C599

RL501

C512

C505

C507

C502

C503

C569

L503

C568

C567

C566

C534

C534

C535

C533

C532

C531

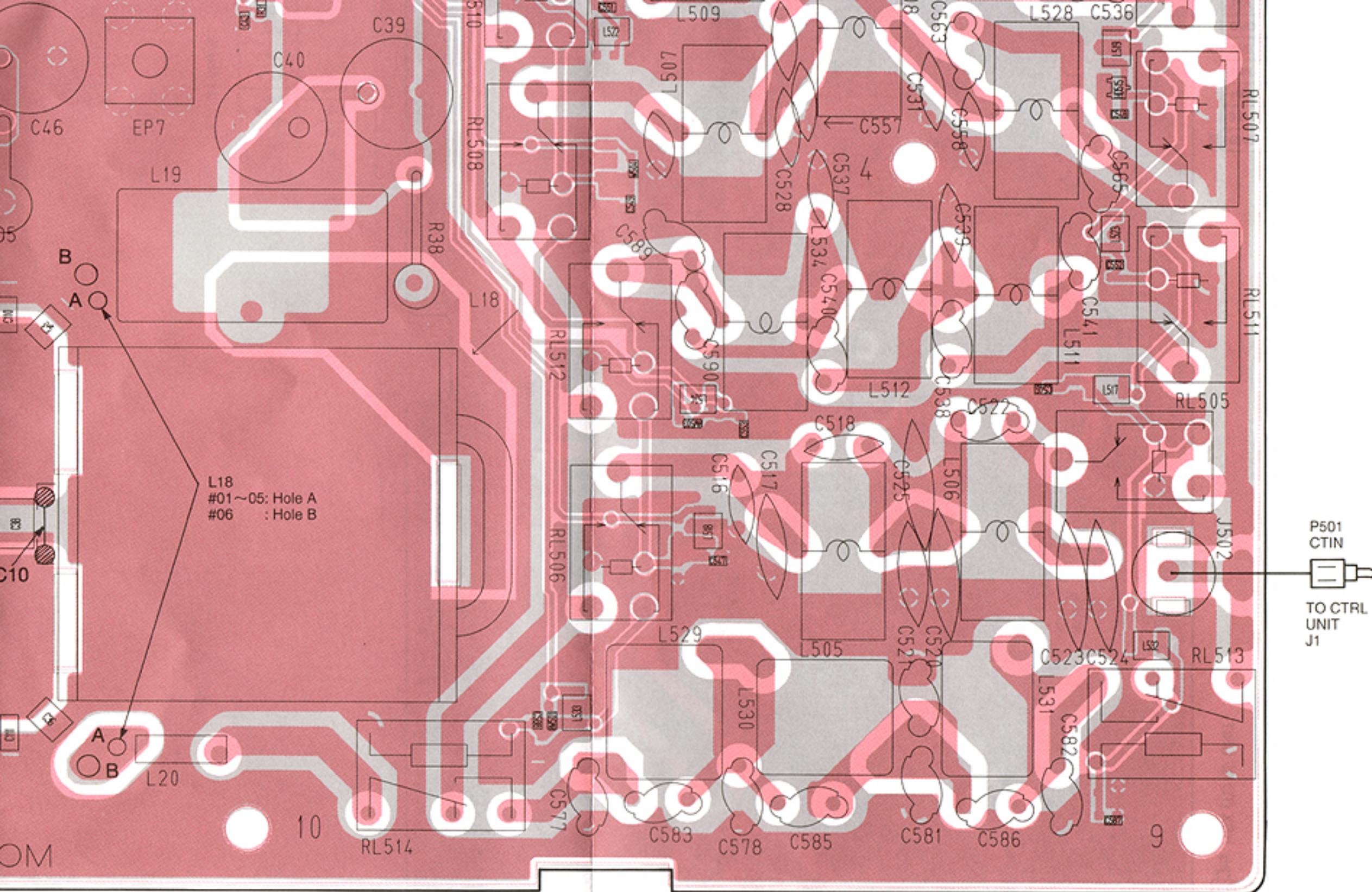
C530

RL503

RL509

C92

R28

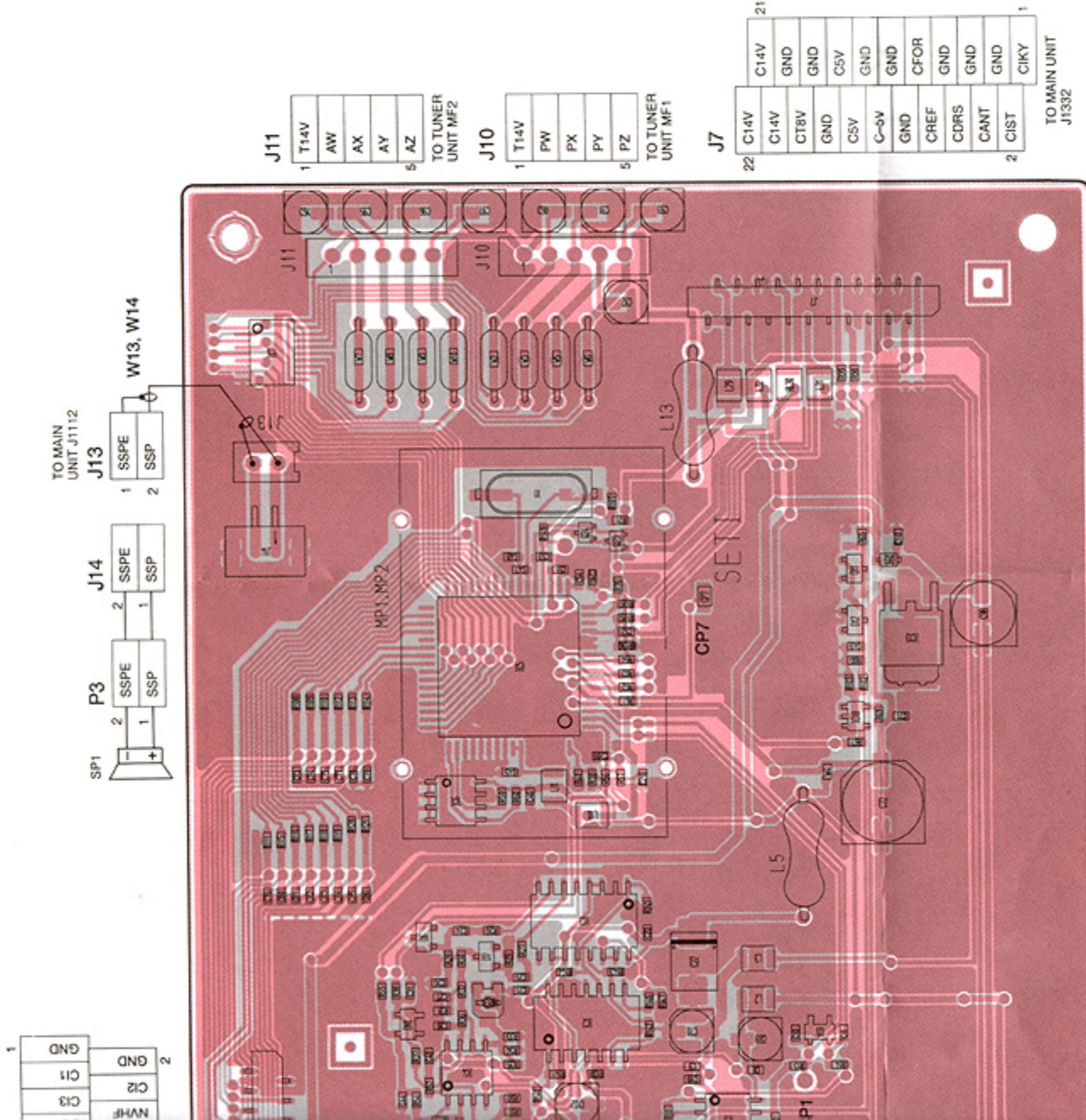


91

E: ● is soldering portion.
 E: R7 AND R619 ARE BOTTOM SIDE PARTS.

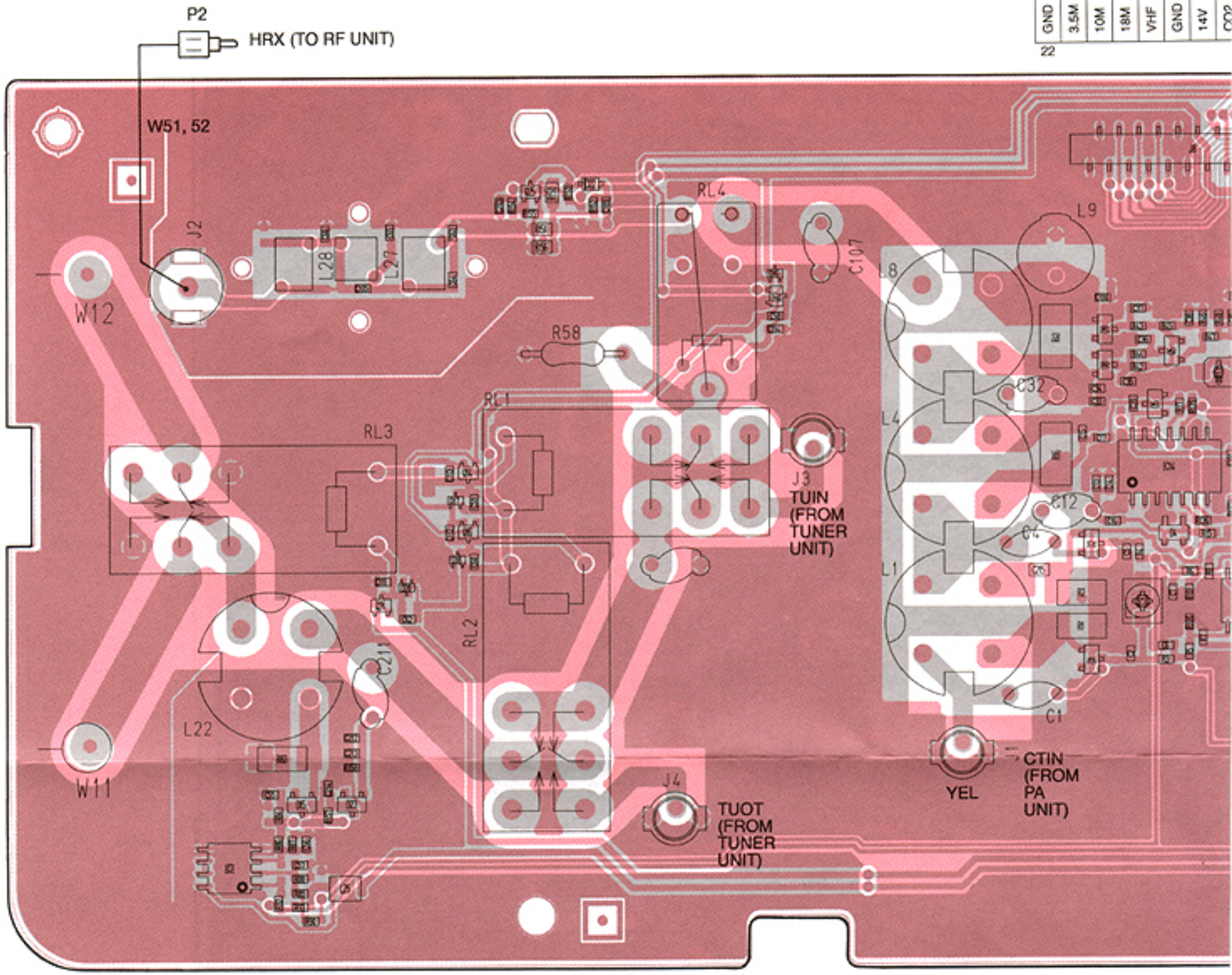
9-10 CTRL AND TUNER UNITS

● CTRL UNIT

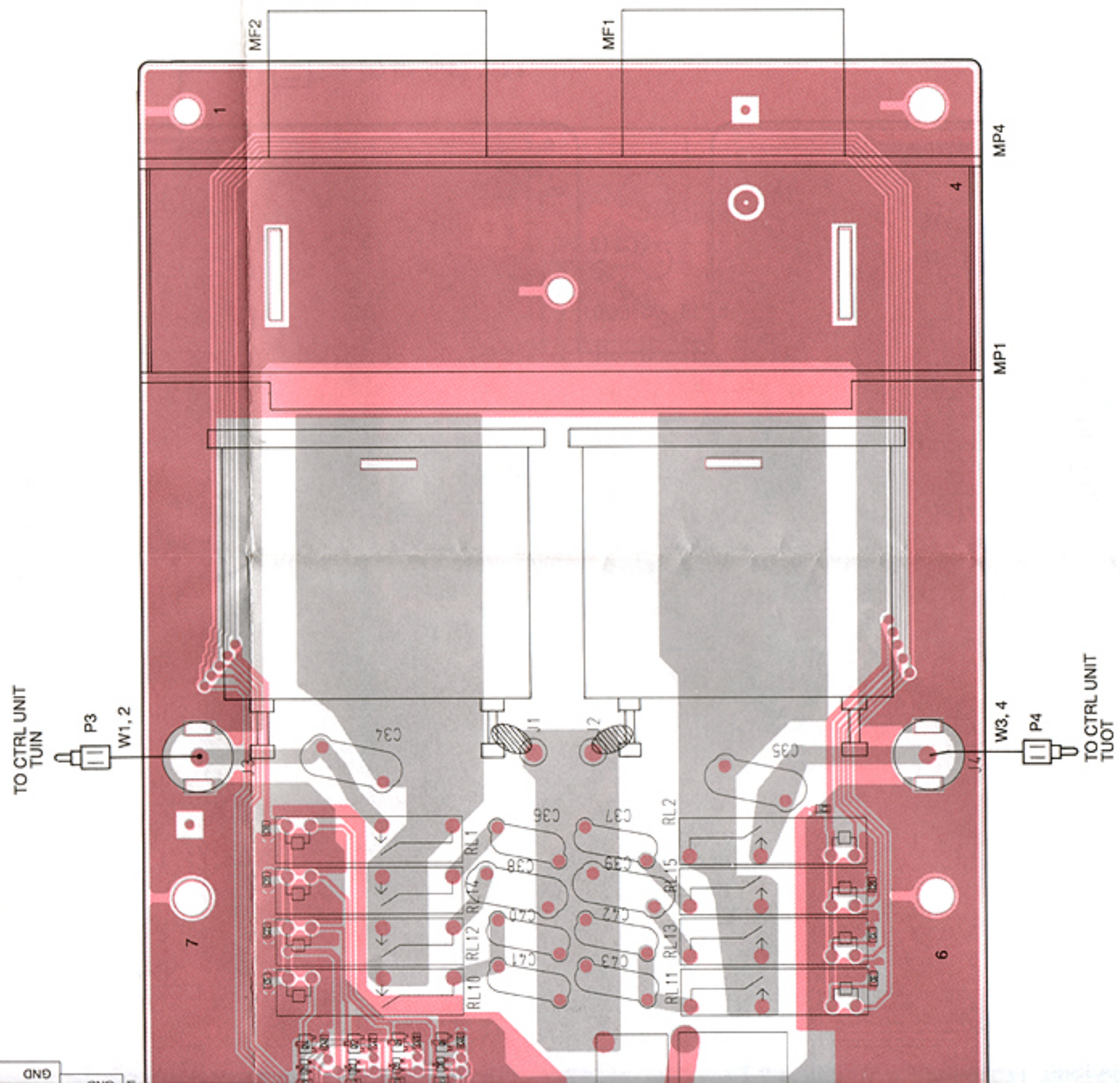


TO TUNER UNIT J8

21	GND	7M	14M	24M	GND	14V	CO3
22	GND	3.5M	10M	18M	VHF	GND	14V
							CO2

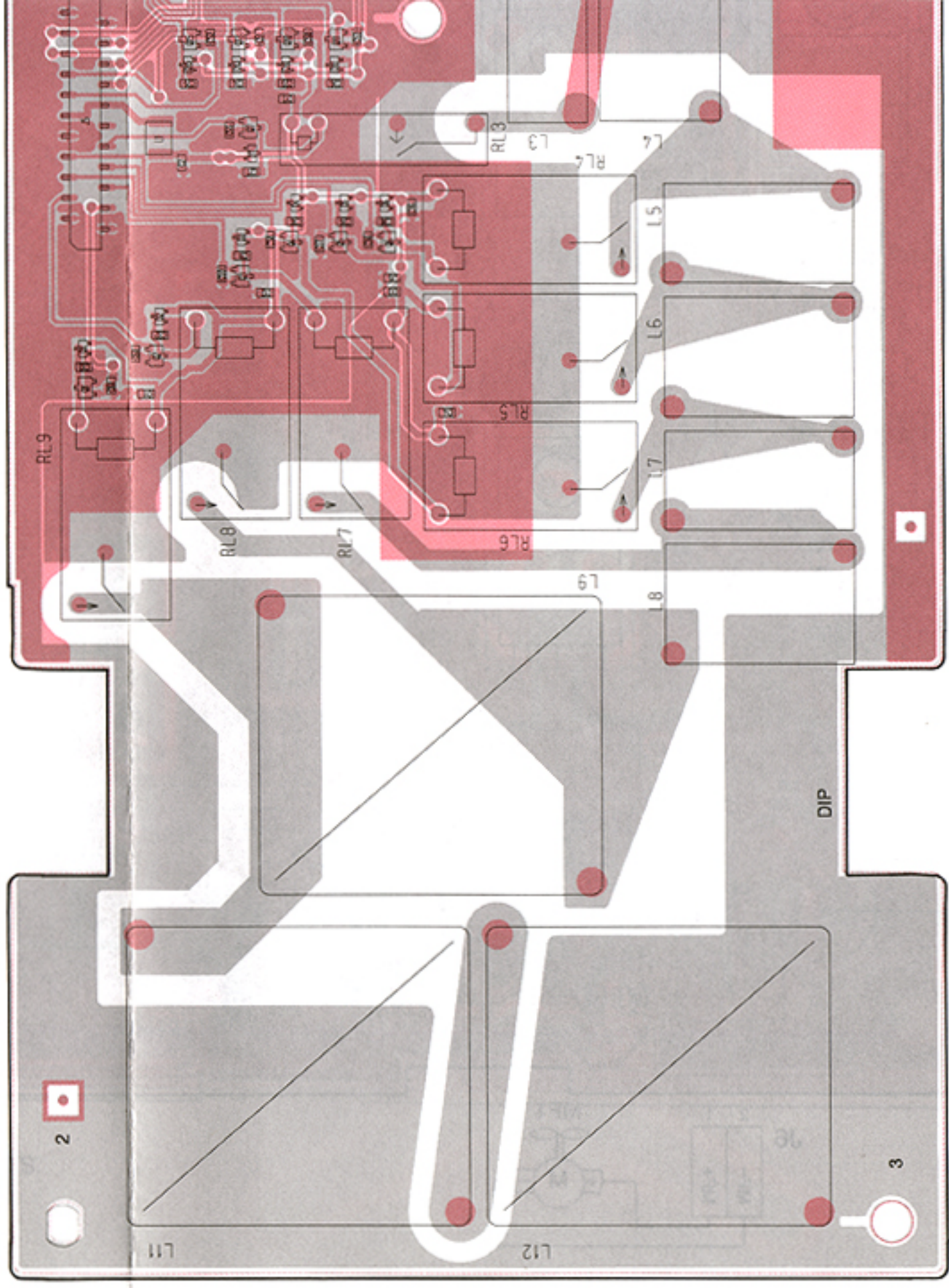


● TUNER UNIT



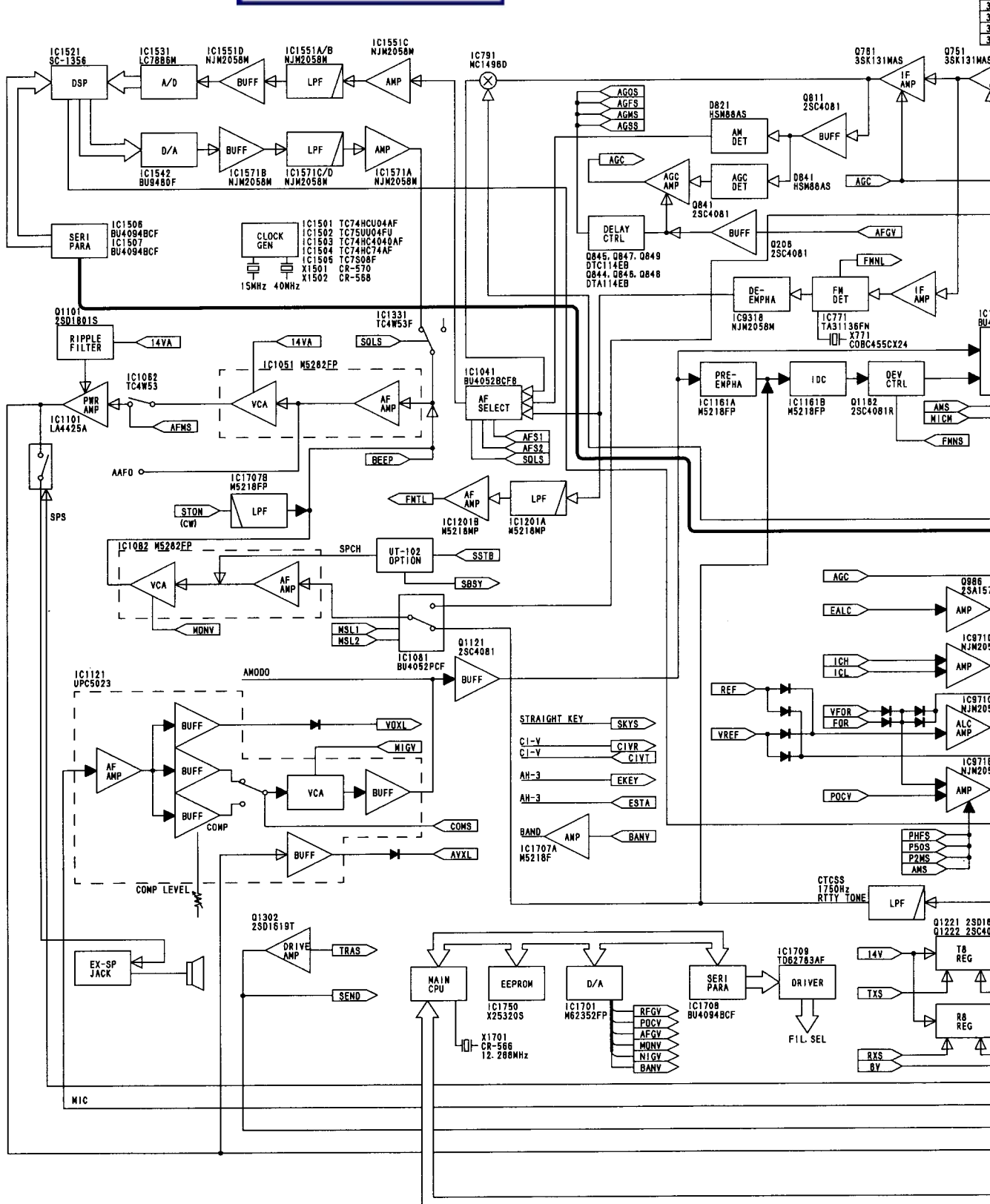
TO CTRL UNIT J3

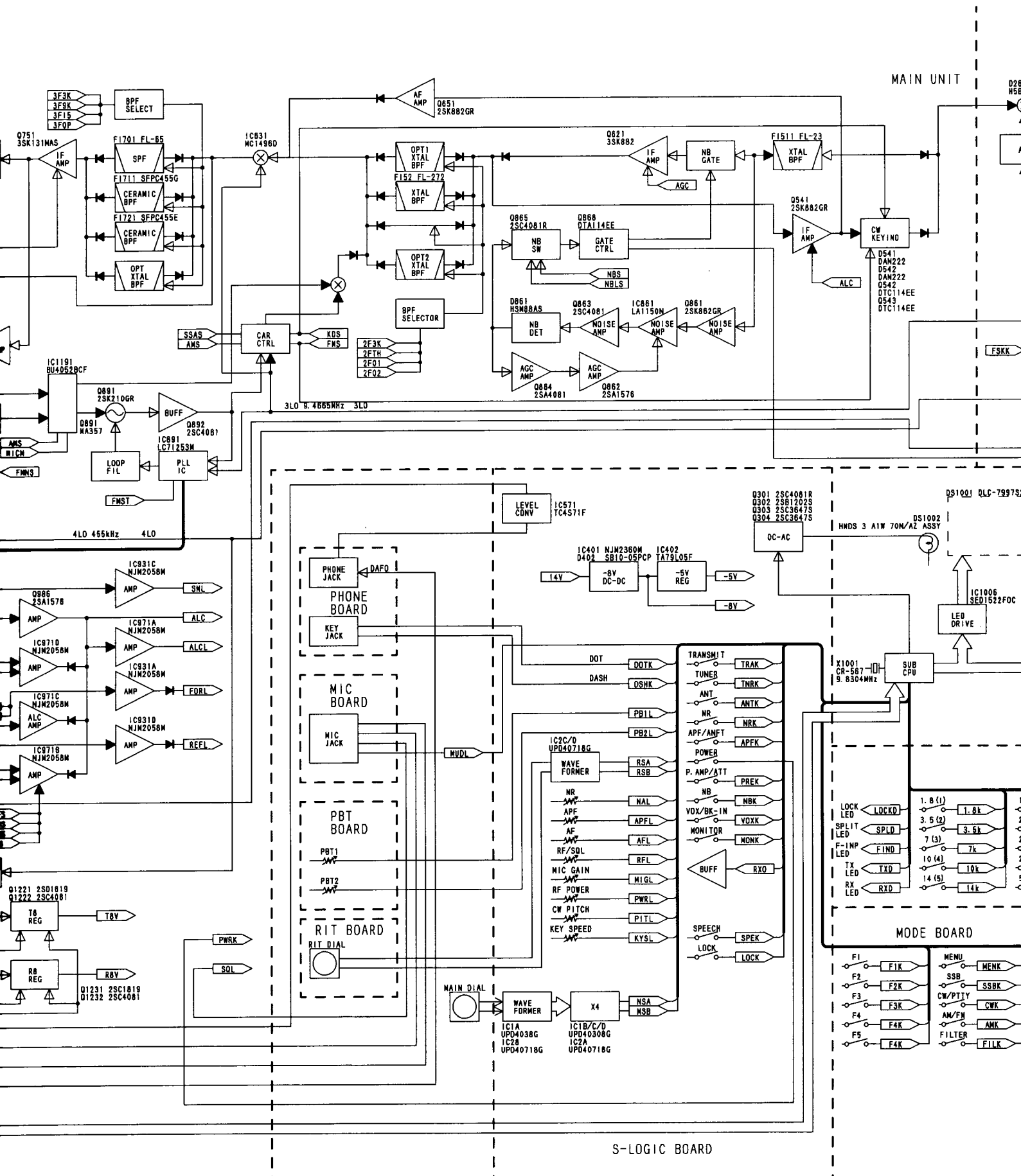
2	3.5M
1	GND
3	7M
4	10M
5	14M
6	18M
7	24M
8	VHF
9	GND
10	GND
11	14V
12	14V
13	CO3
14	CO1
15	NVHF
16	CR2
17	CR3



SECTION 10 BLOCK DIAGRAM

Downloaded by
RadioAmateur.EU

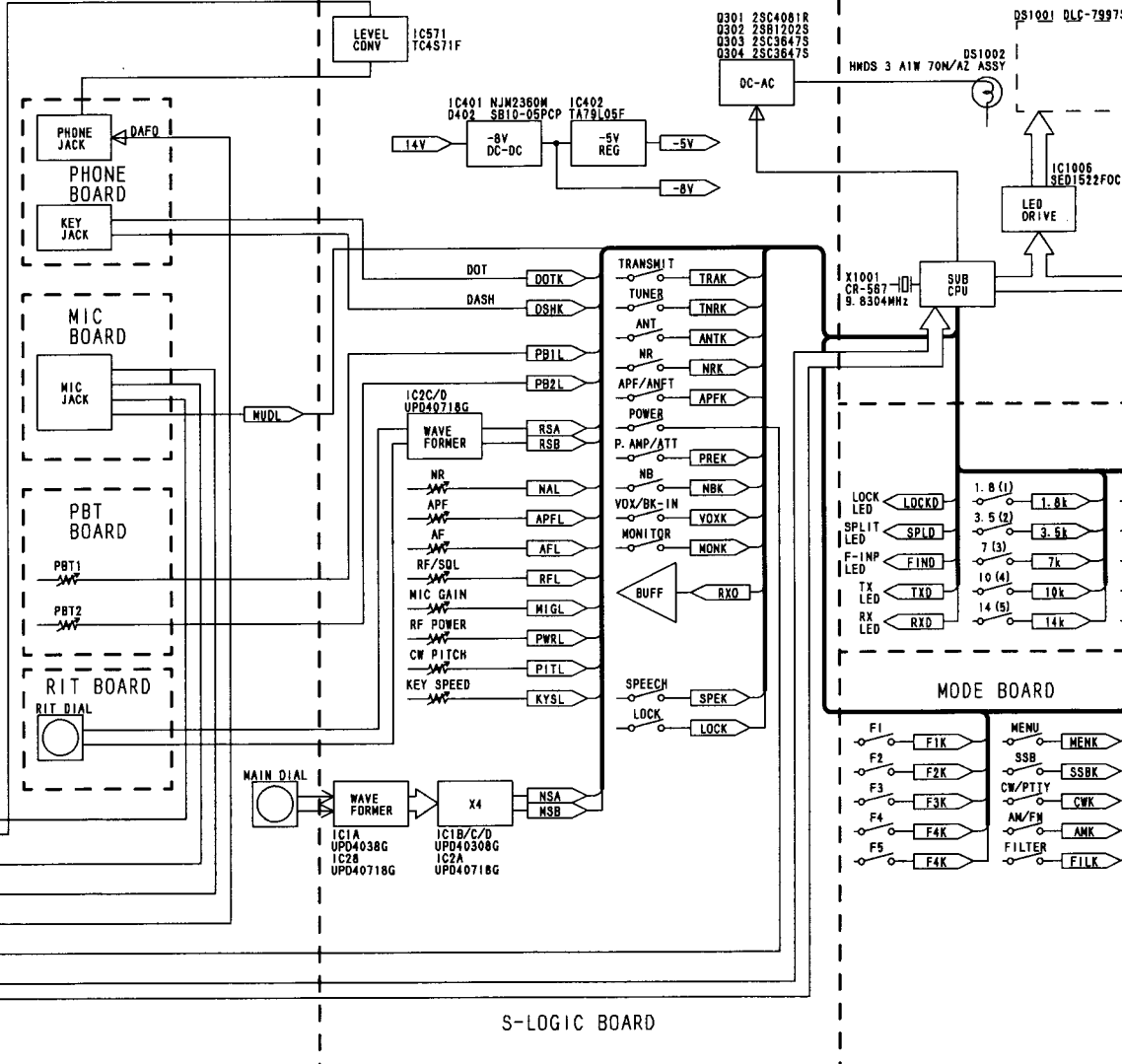
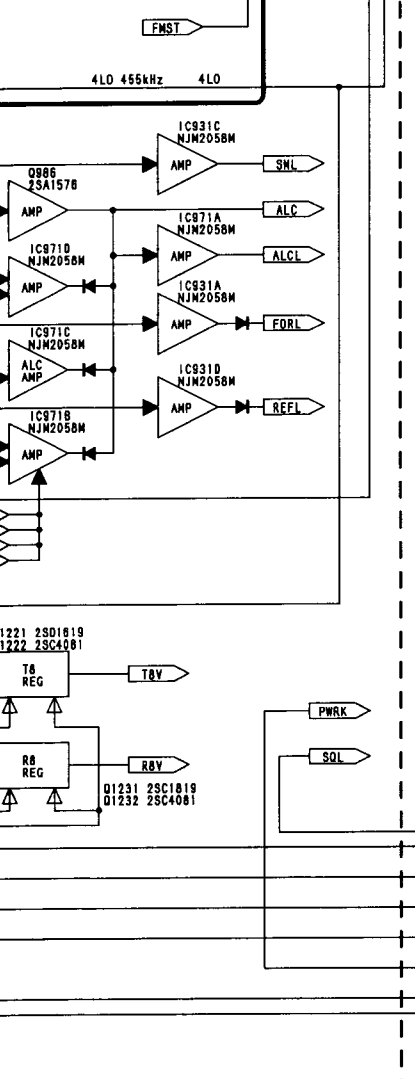
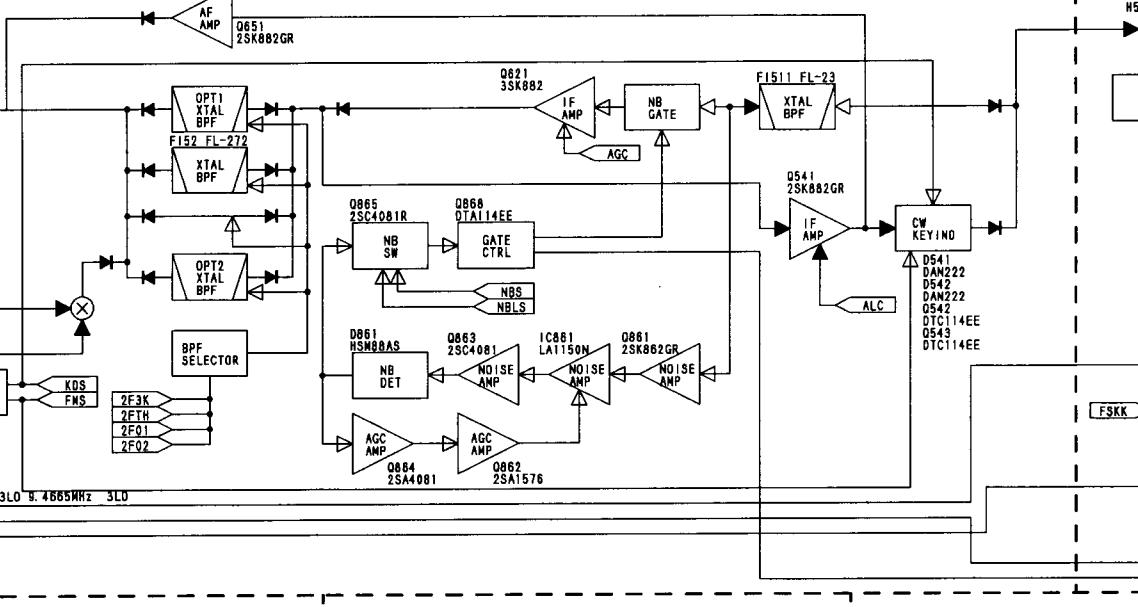
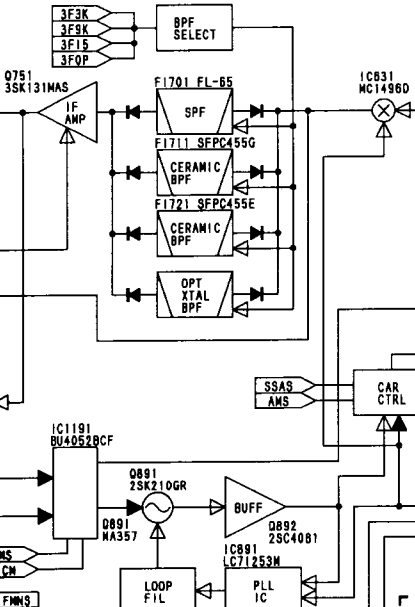




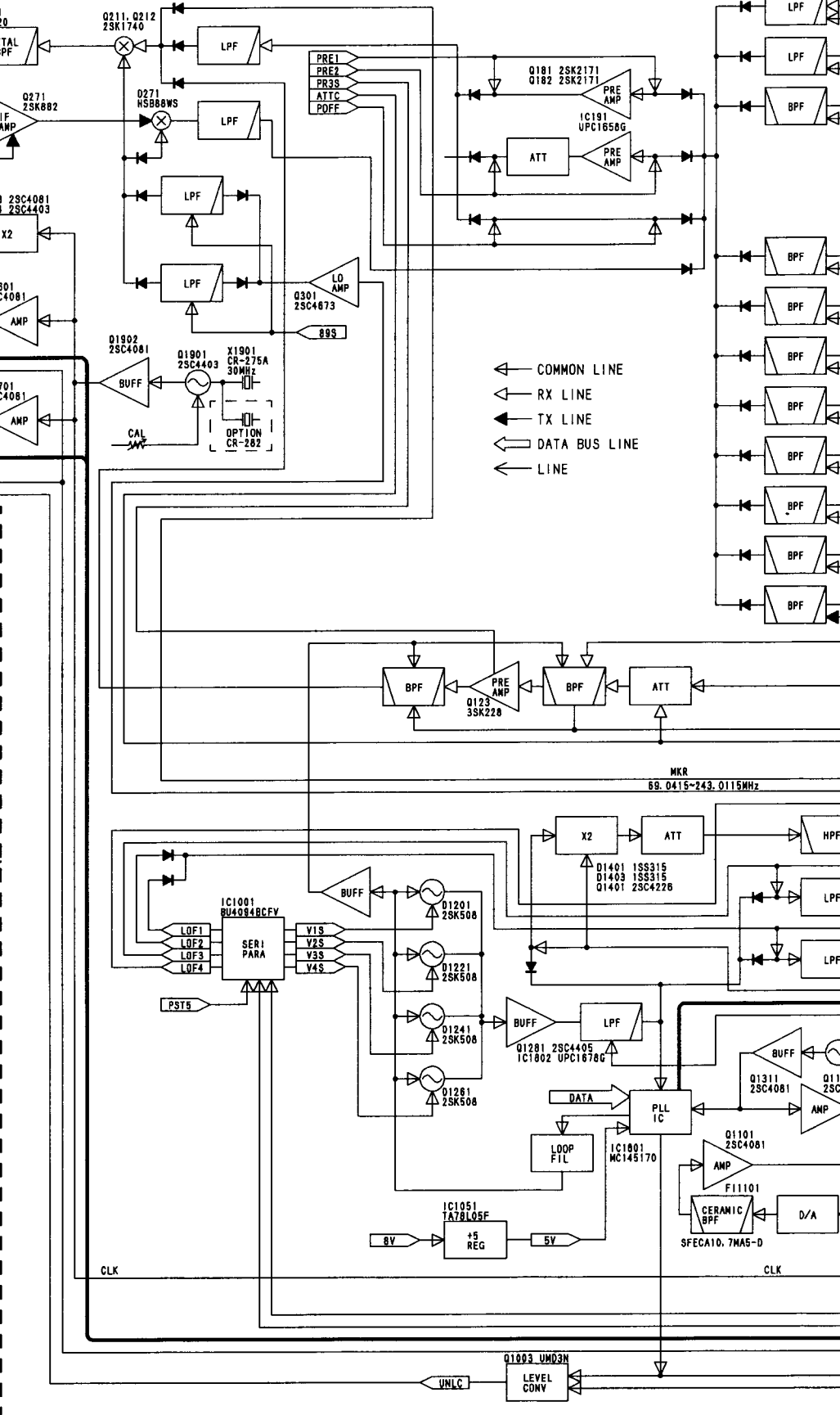
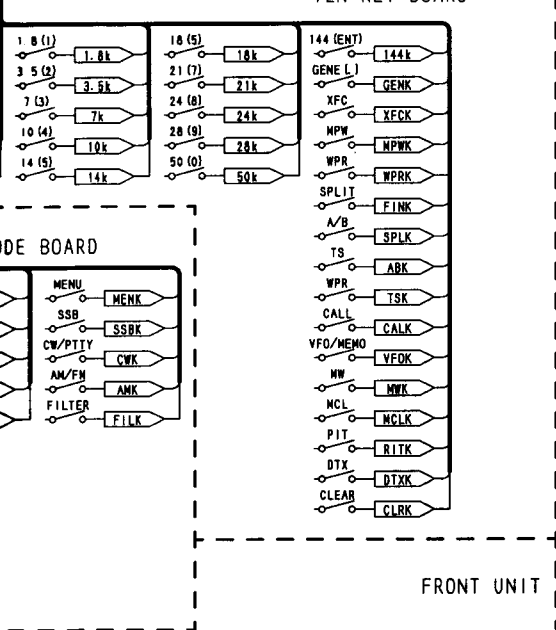
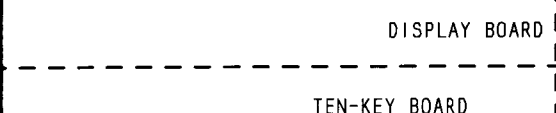
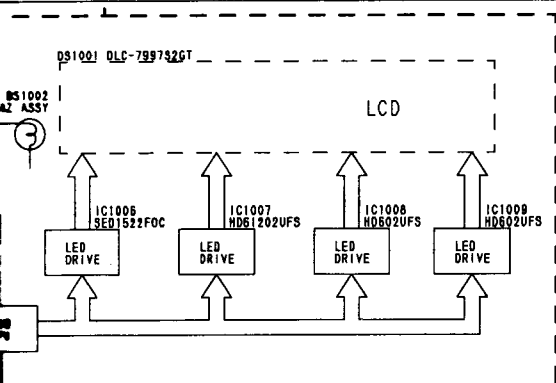
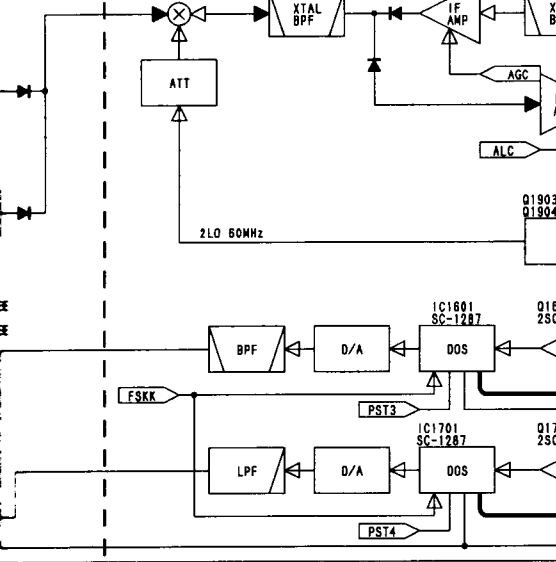
MAIN UNIT

S-LOGIC BOARD

MODE BOARD



IN UNIT



← COMMON LINE
 ← RX LINE
 ← TX LINE
 ← DATA BUS LINE
 ← LINE

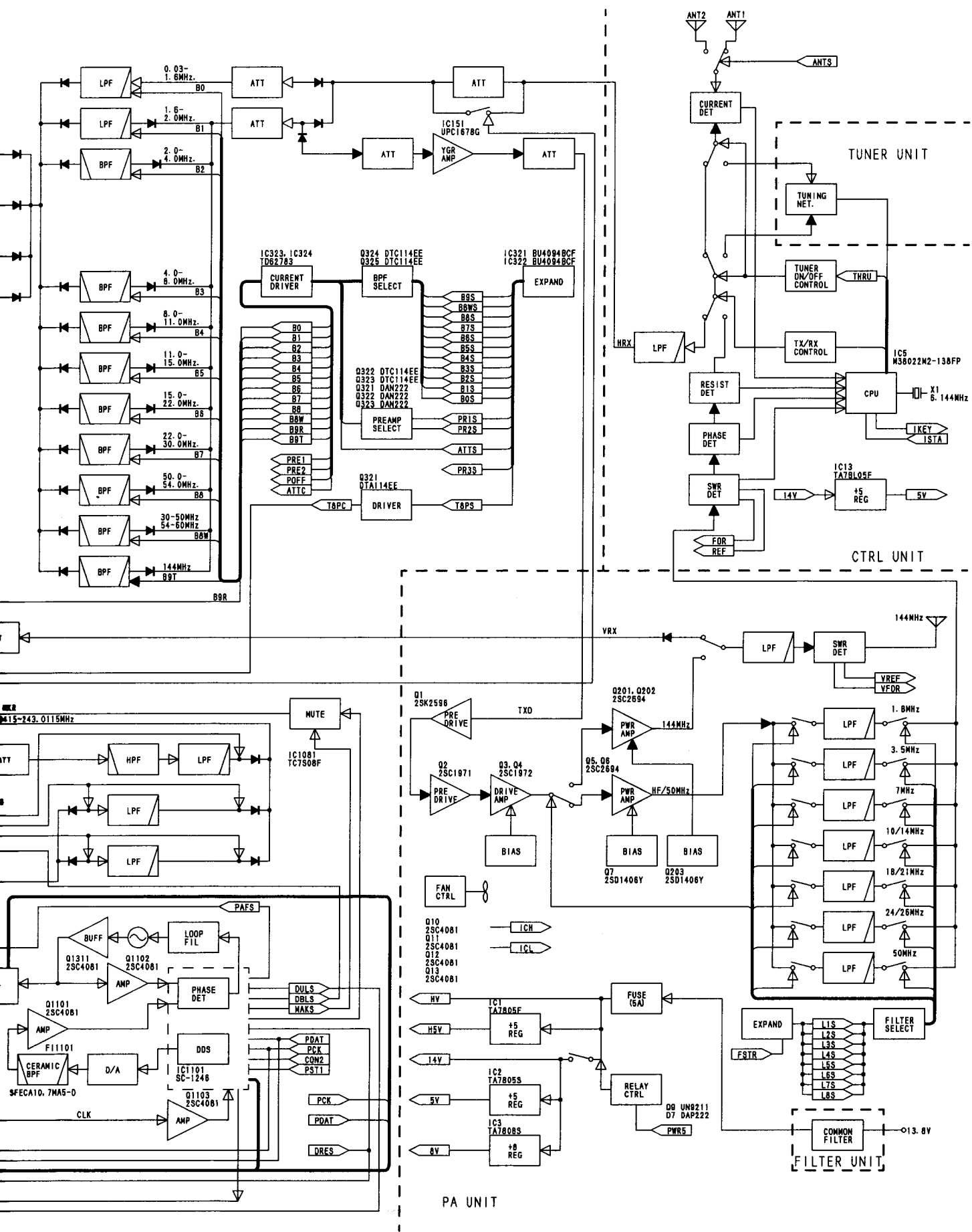
MKR
 89.0415-243.0115MHz

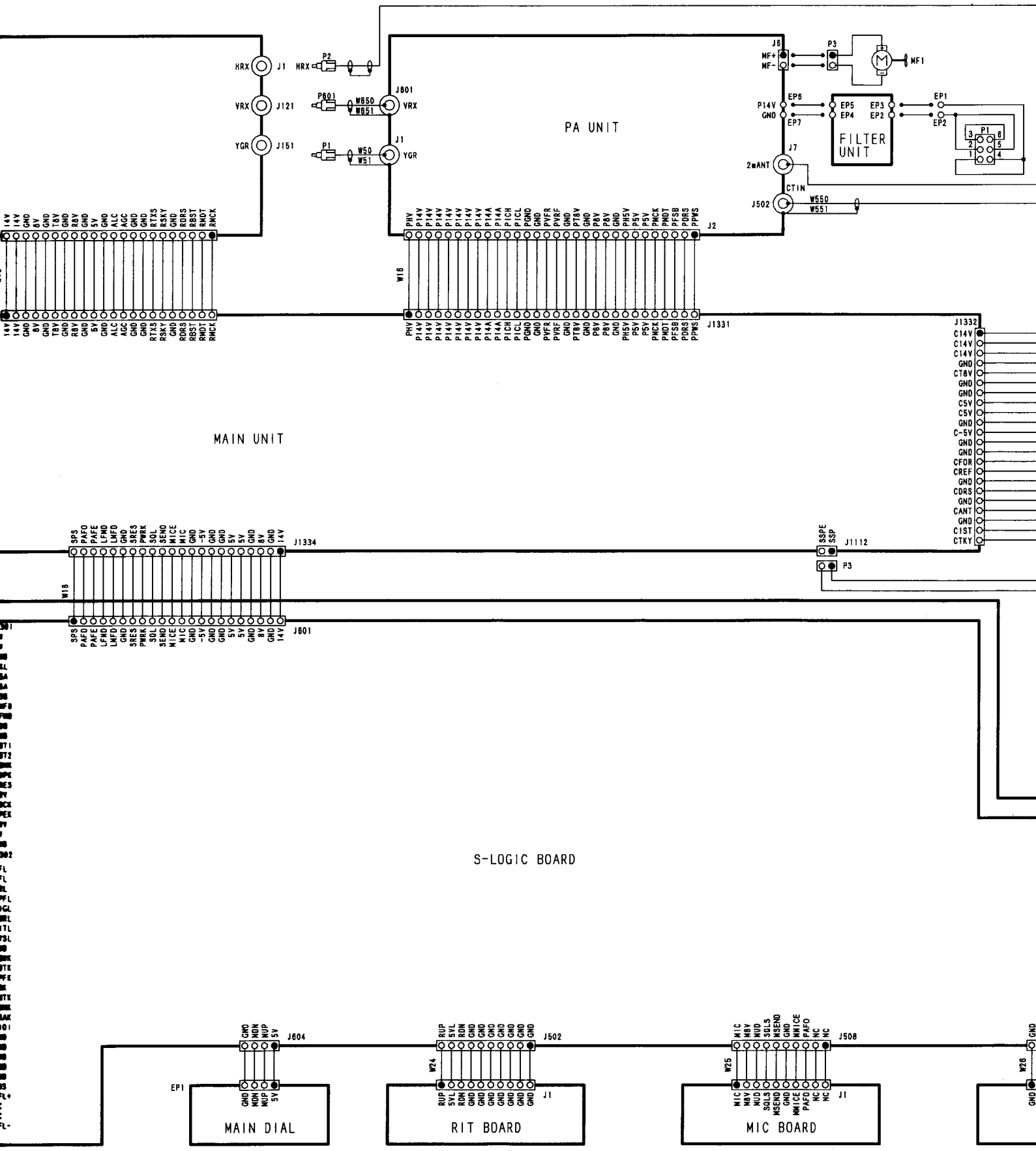
CLK

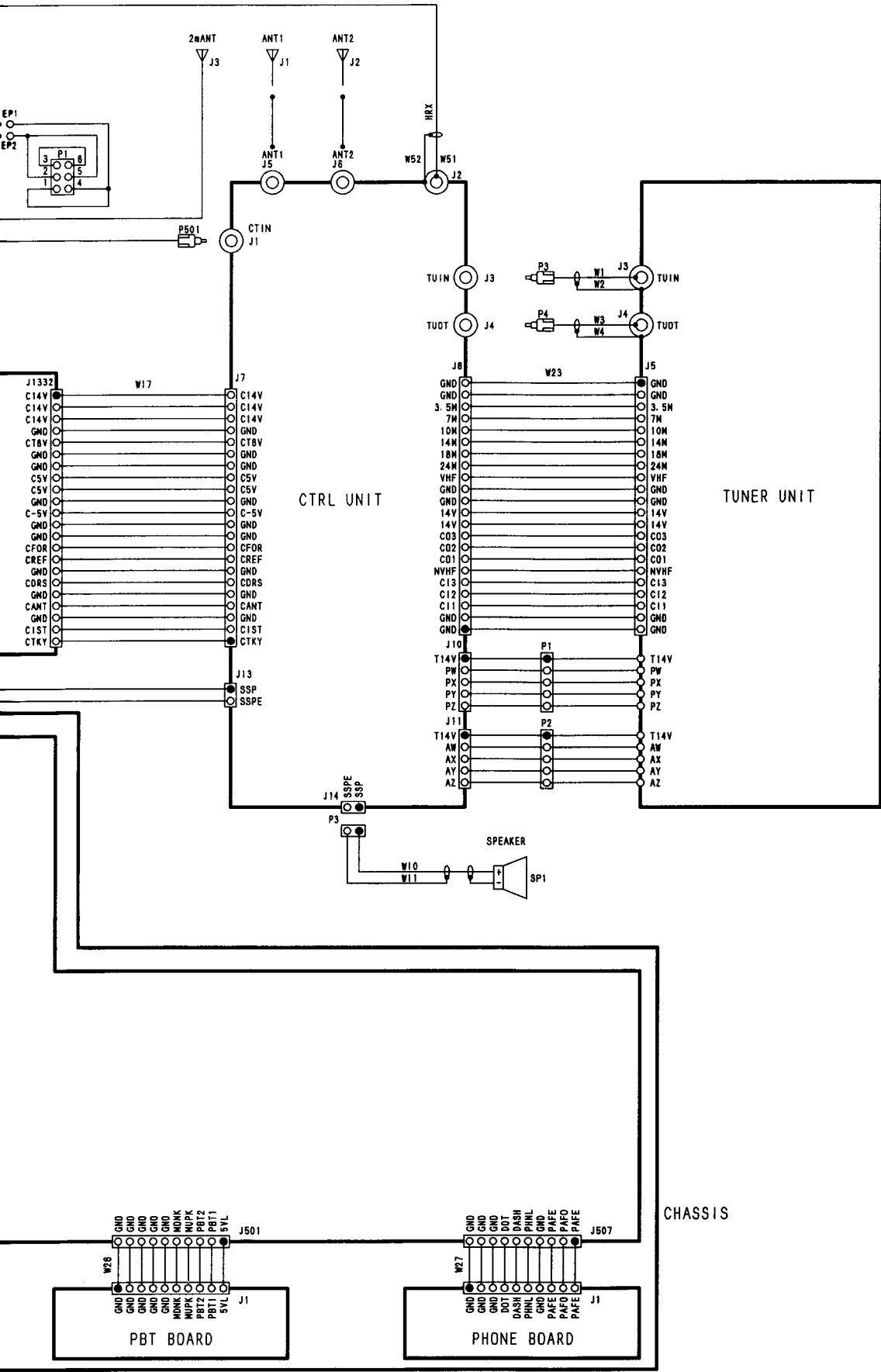
CLK

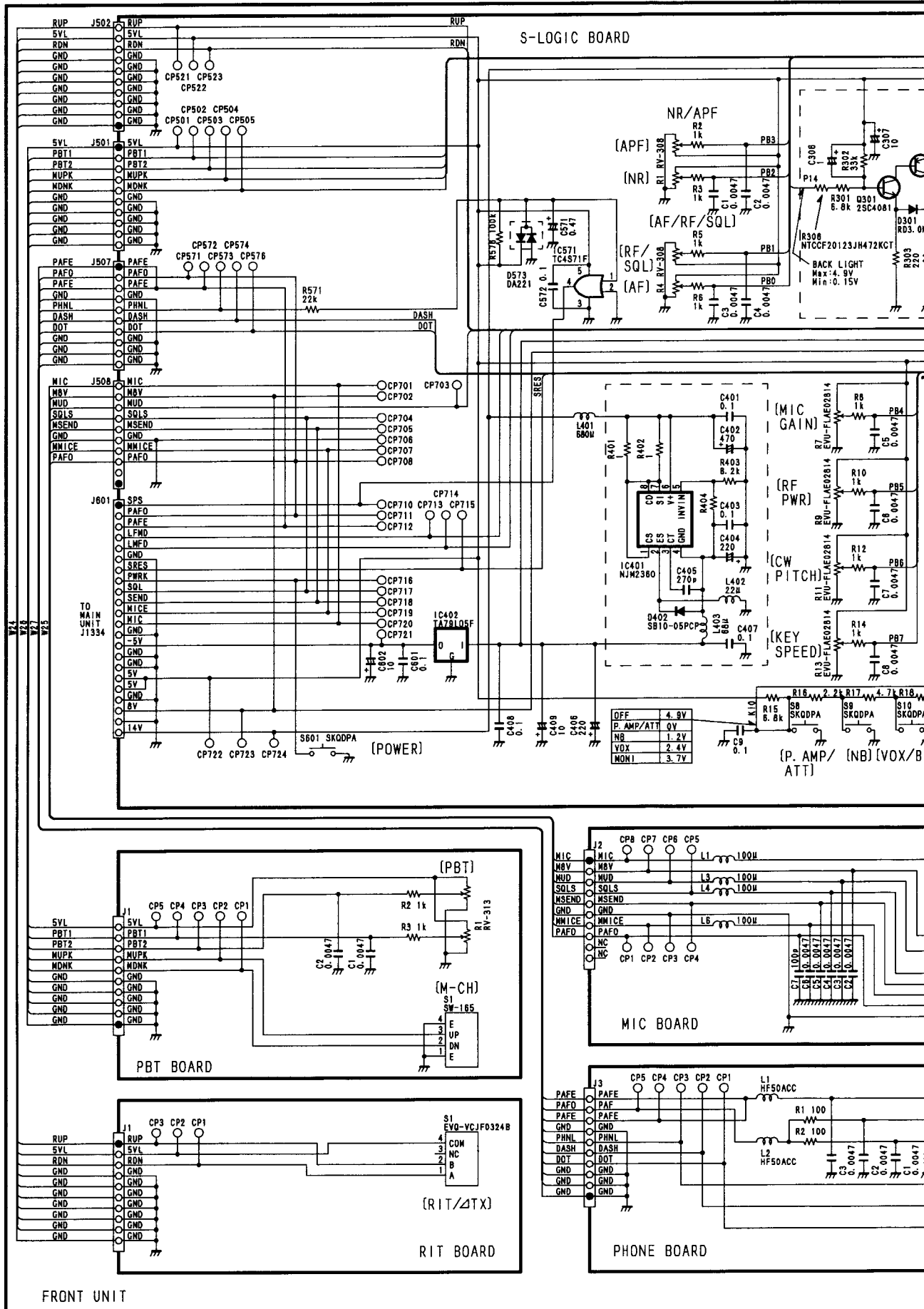
UNLC

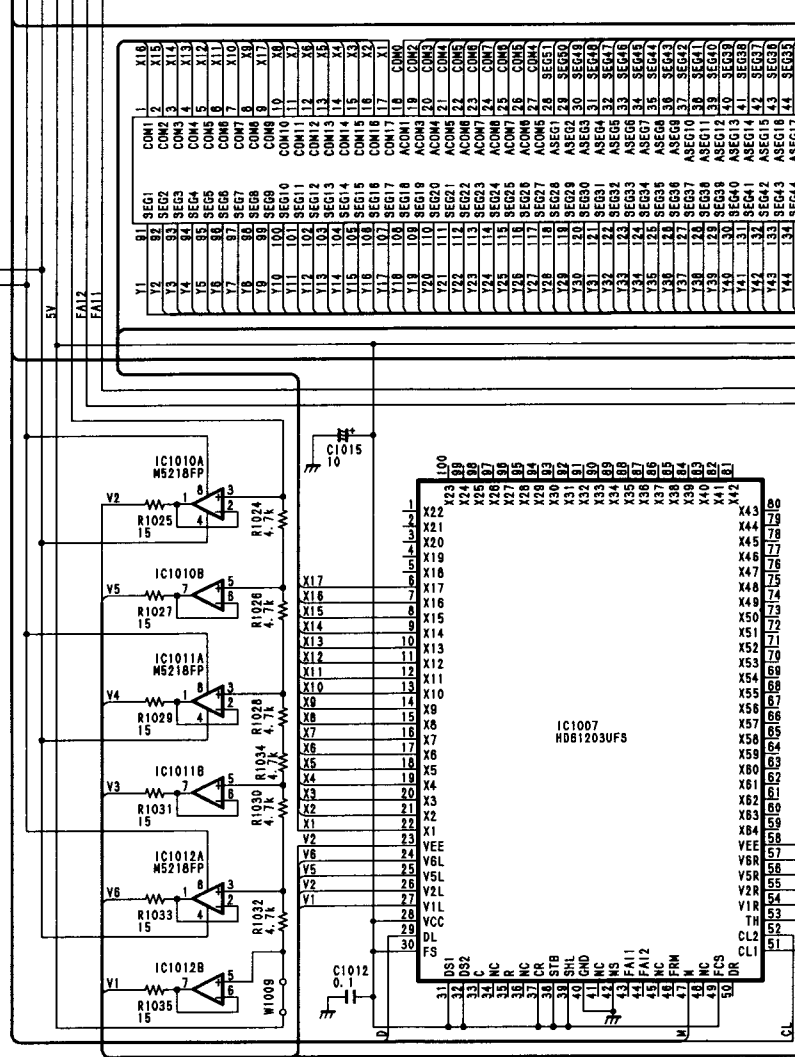
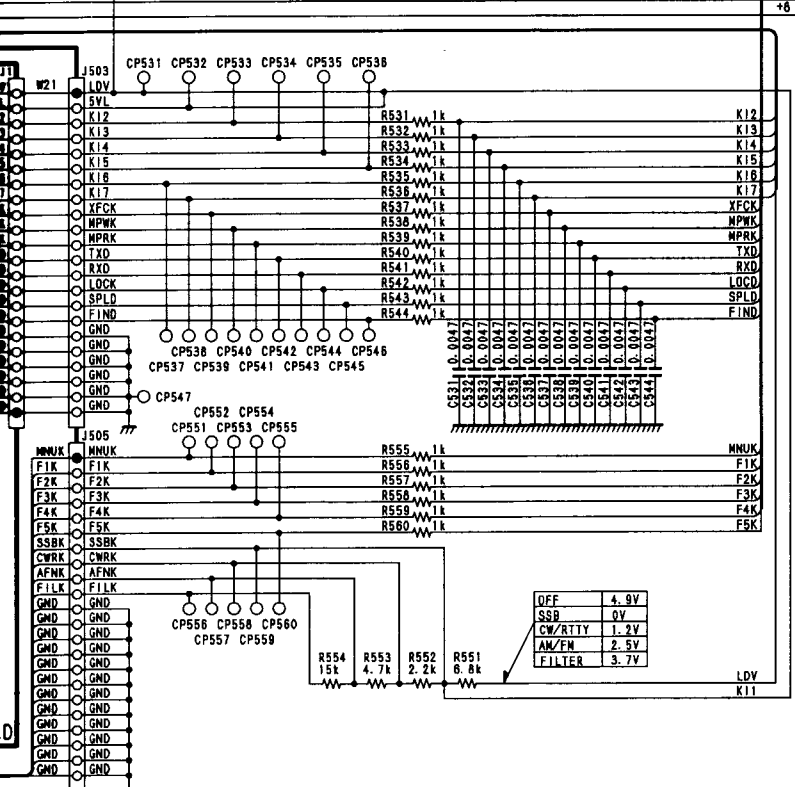
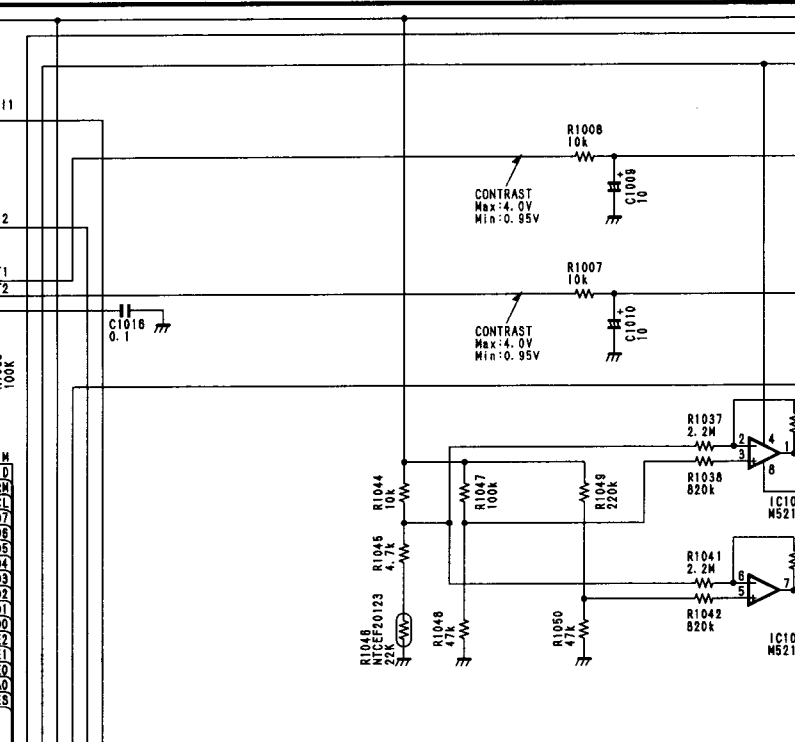
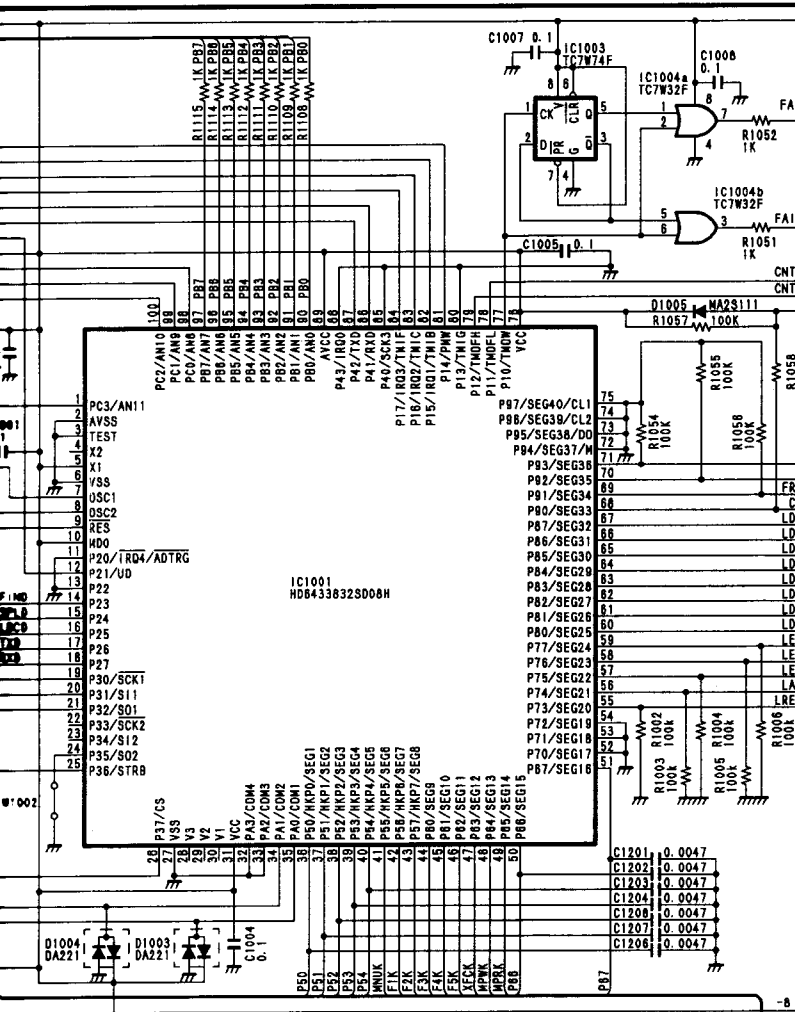
LEVEL CONV

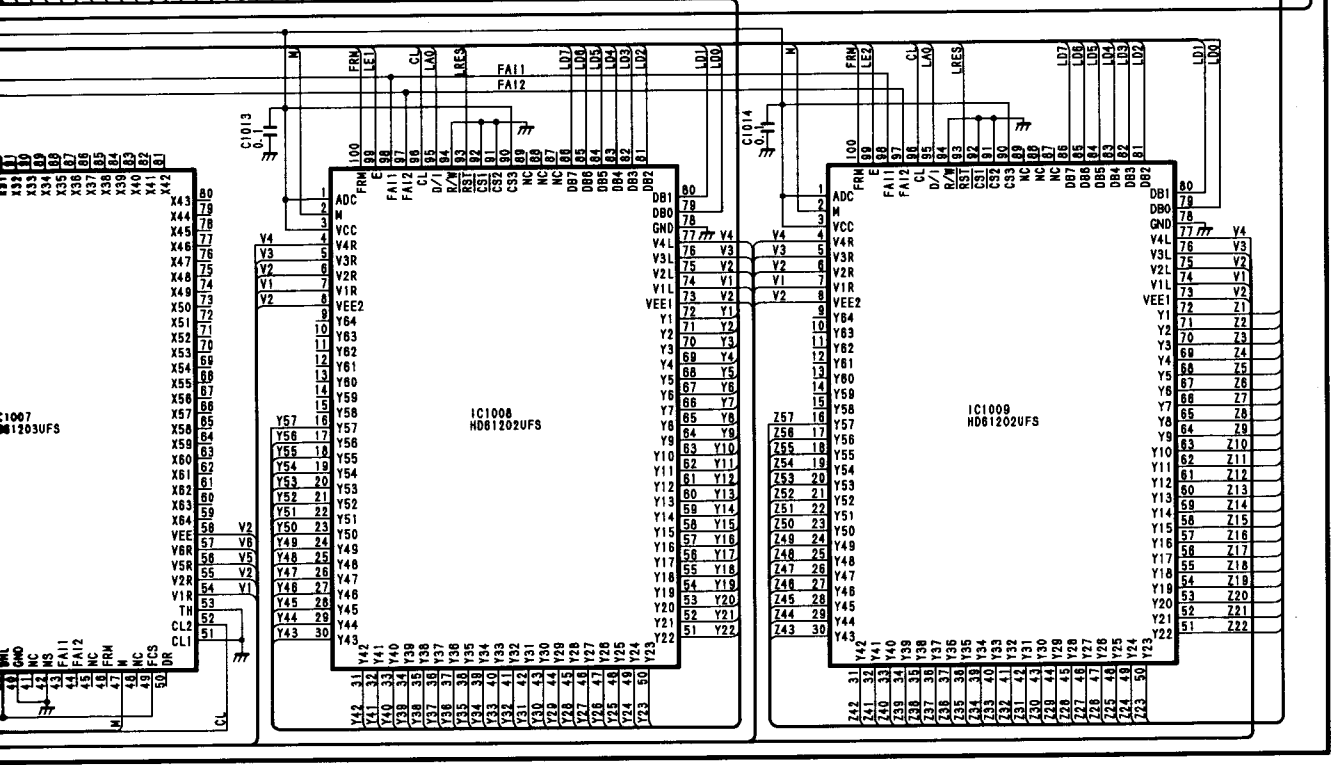
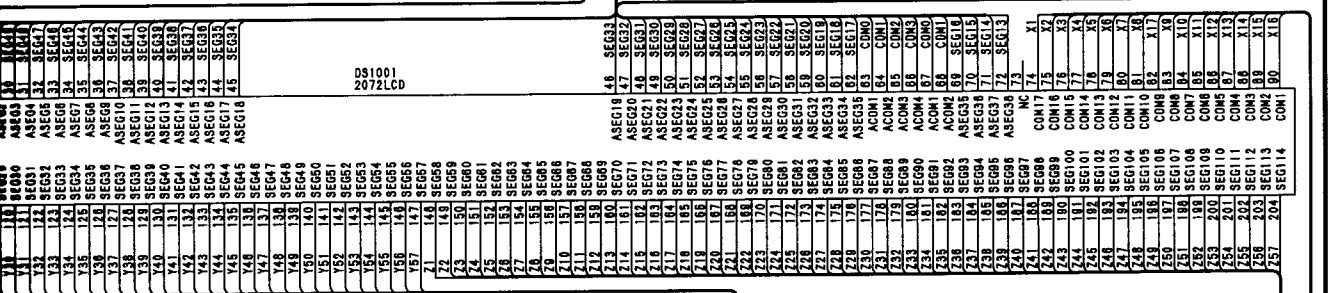
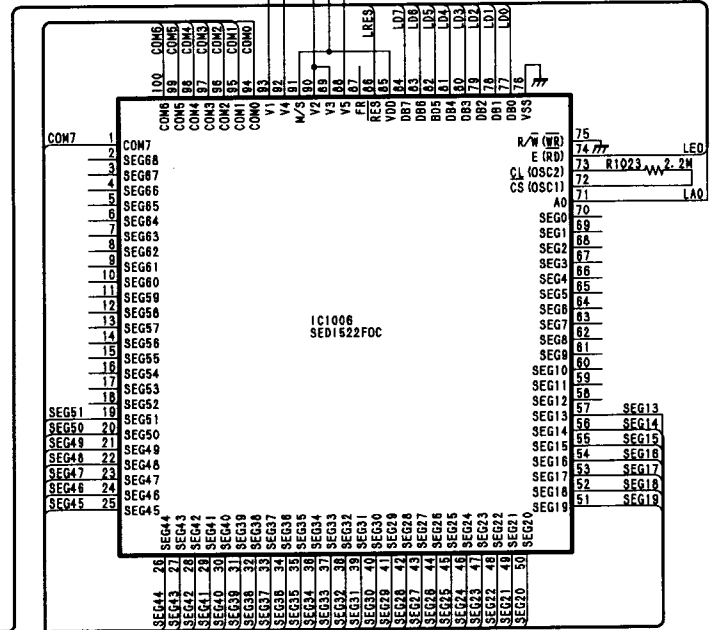
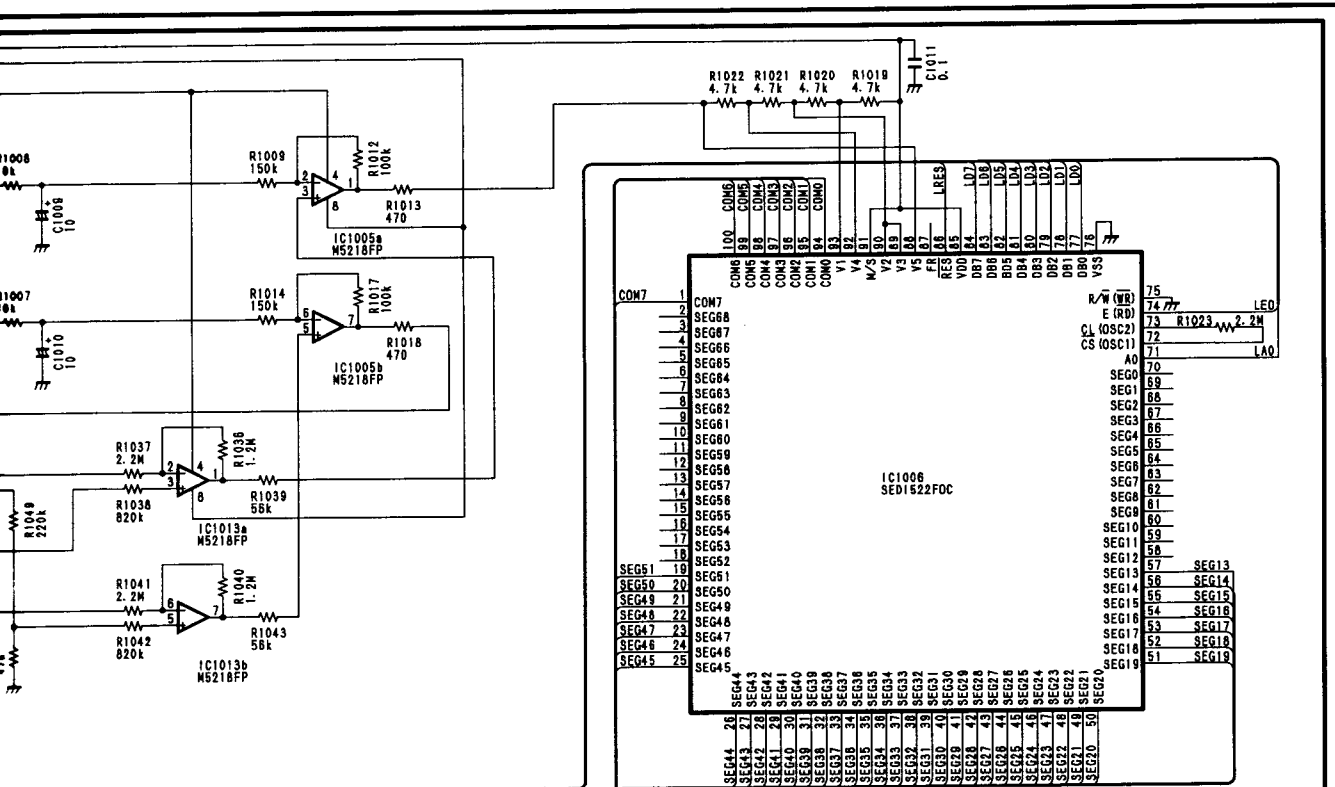


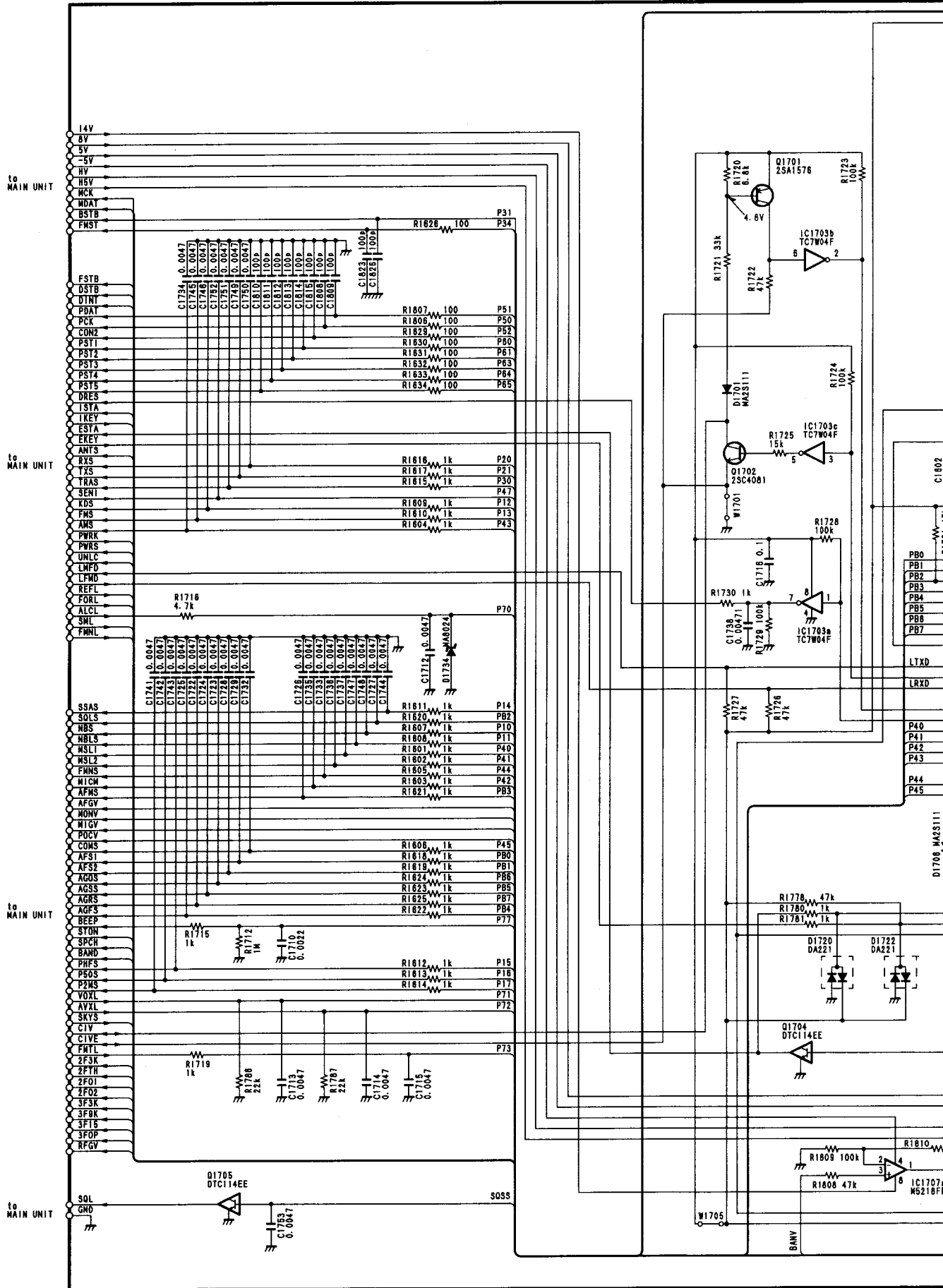


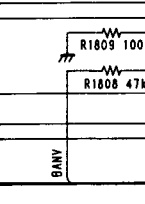
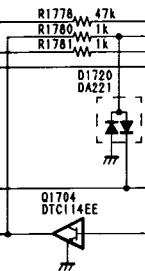
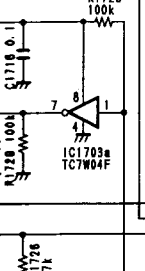
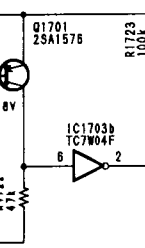
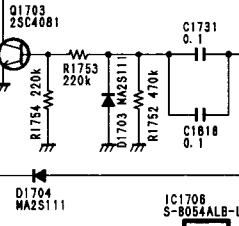
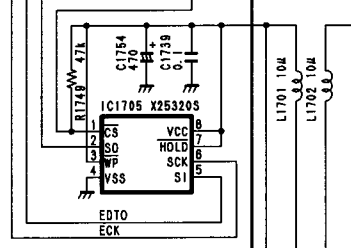
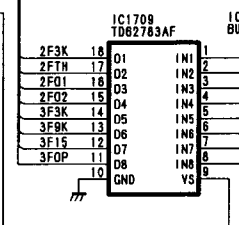
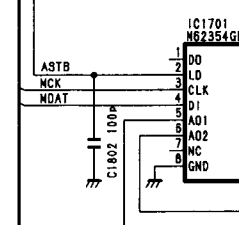
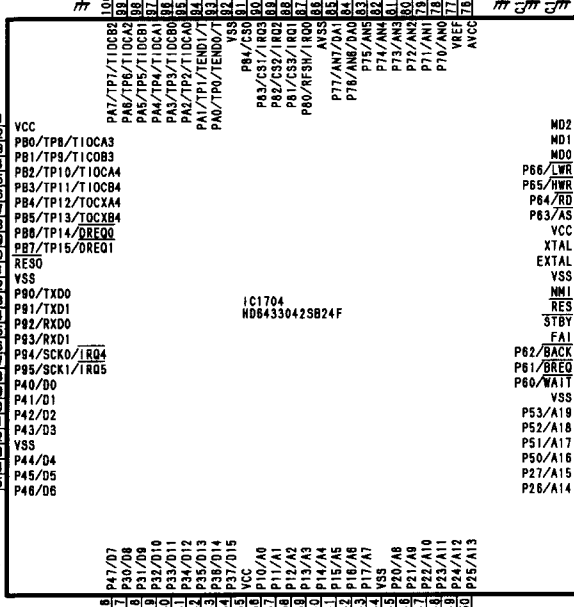
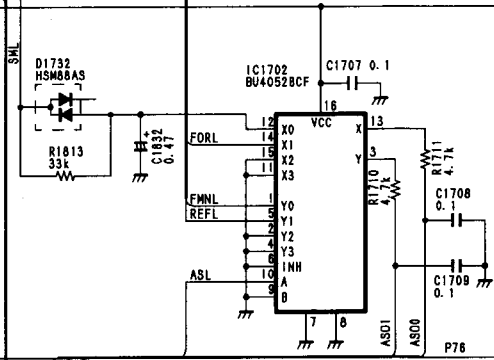
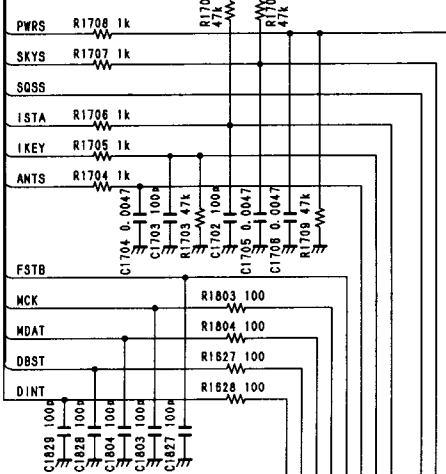
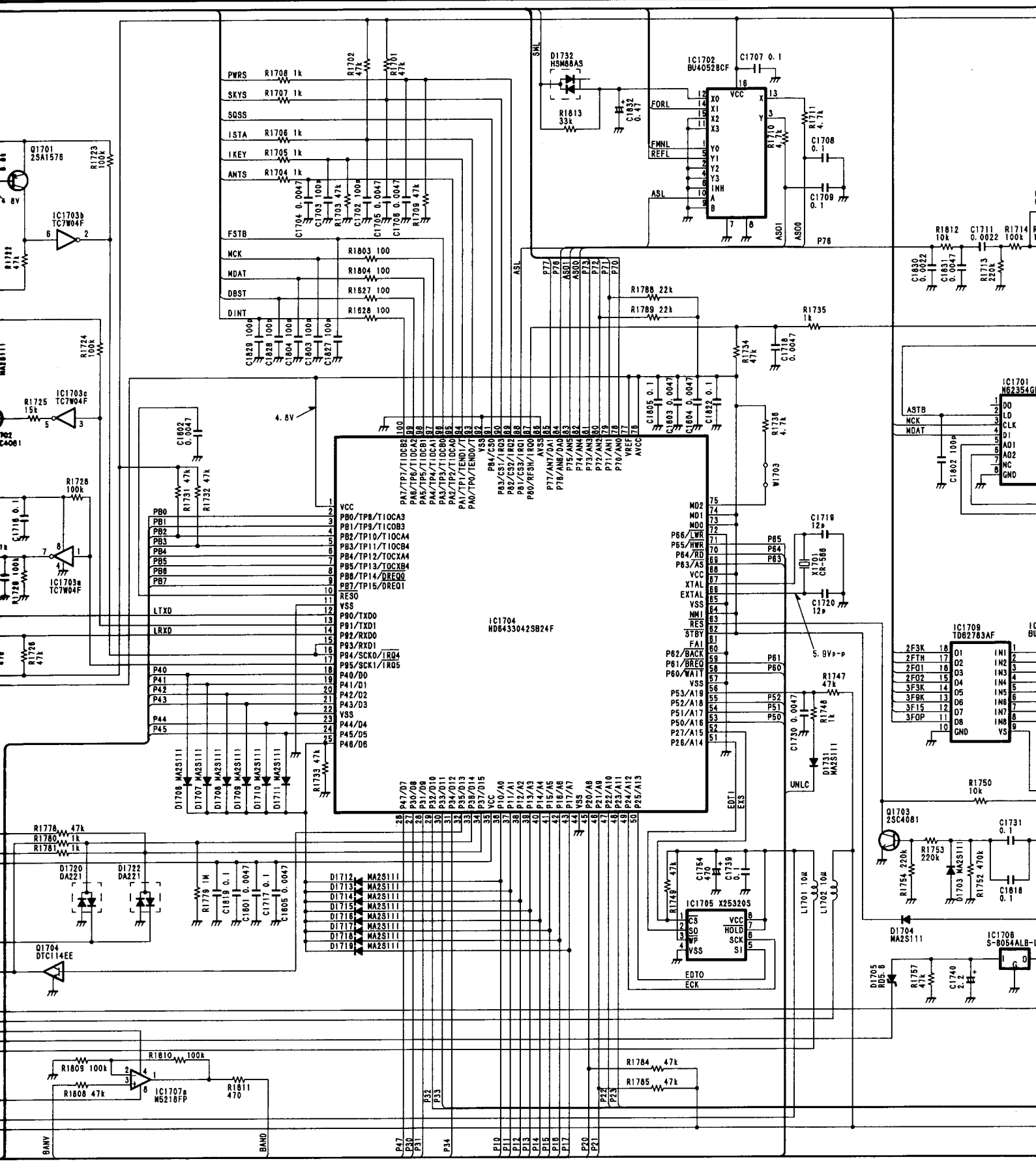


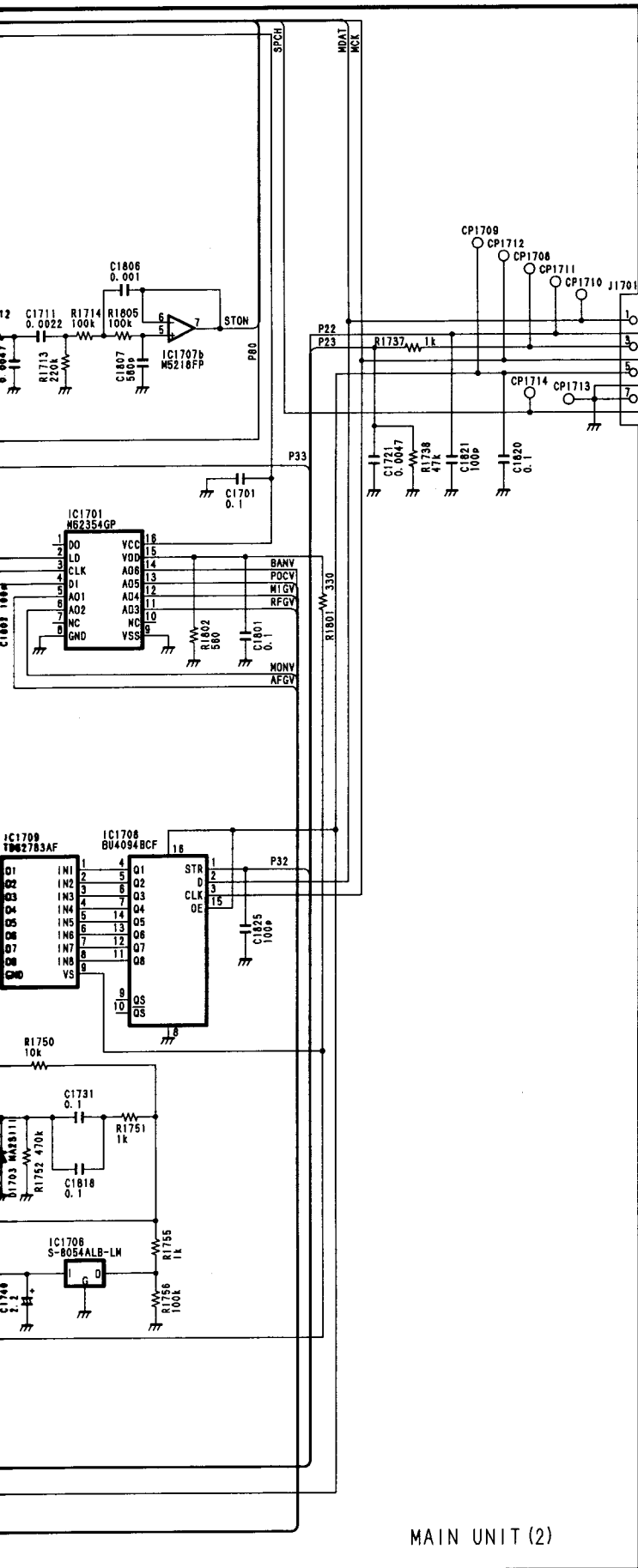




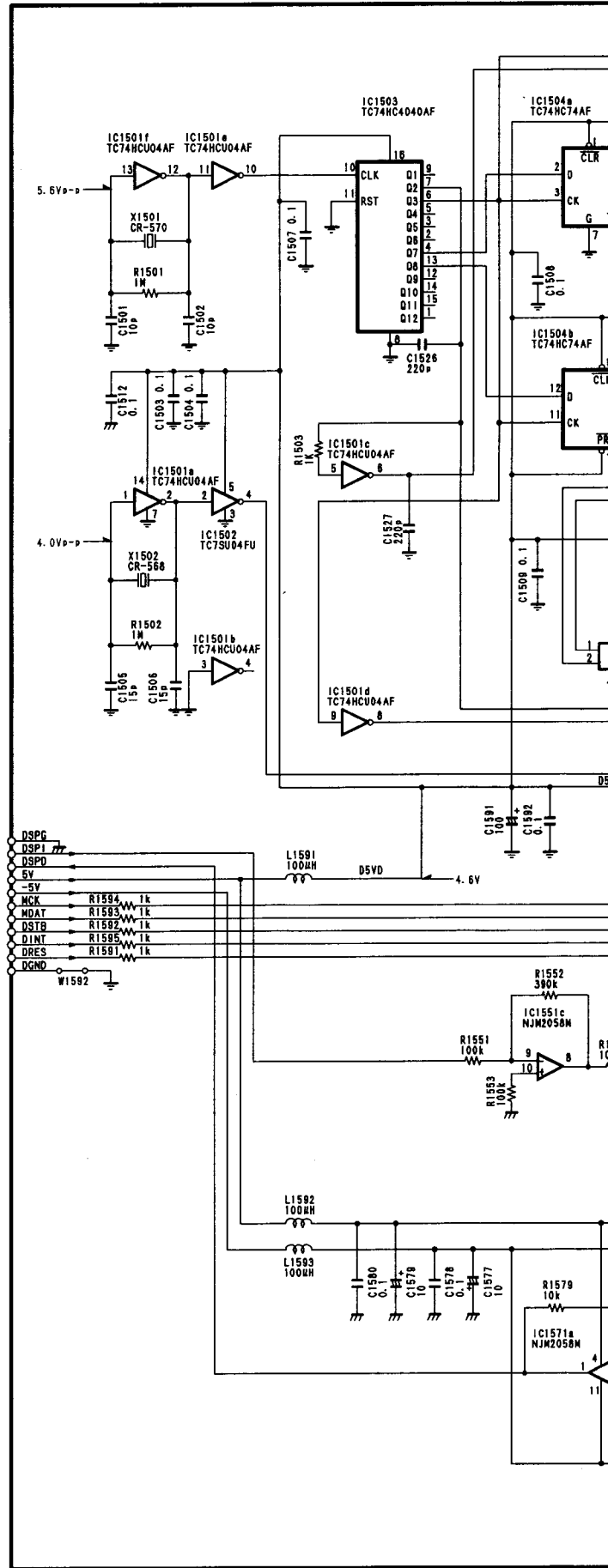


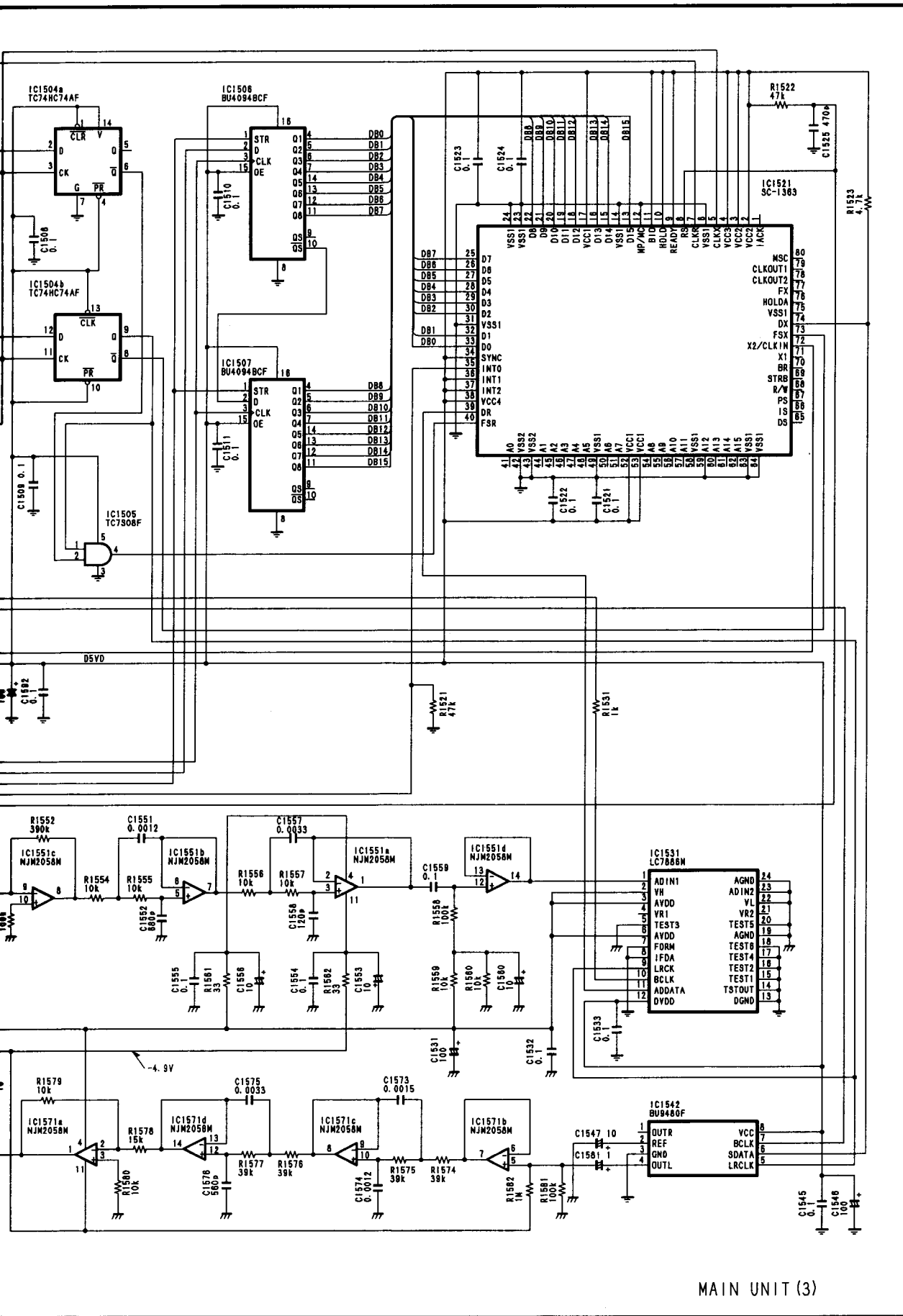




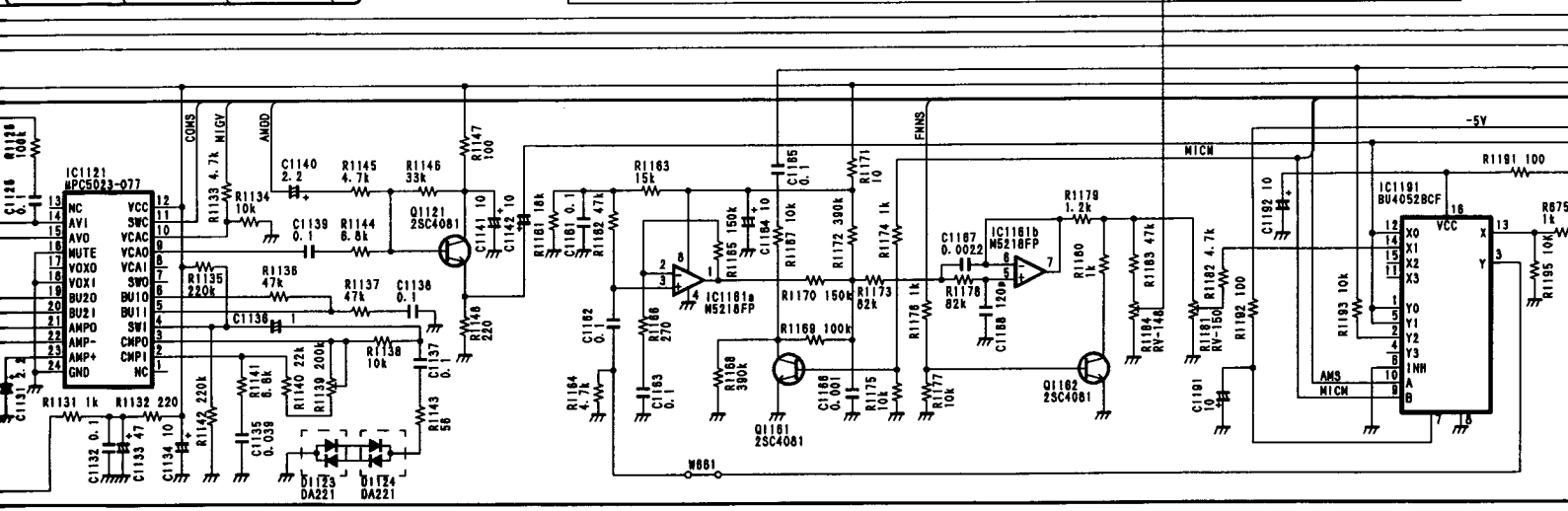
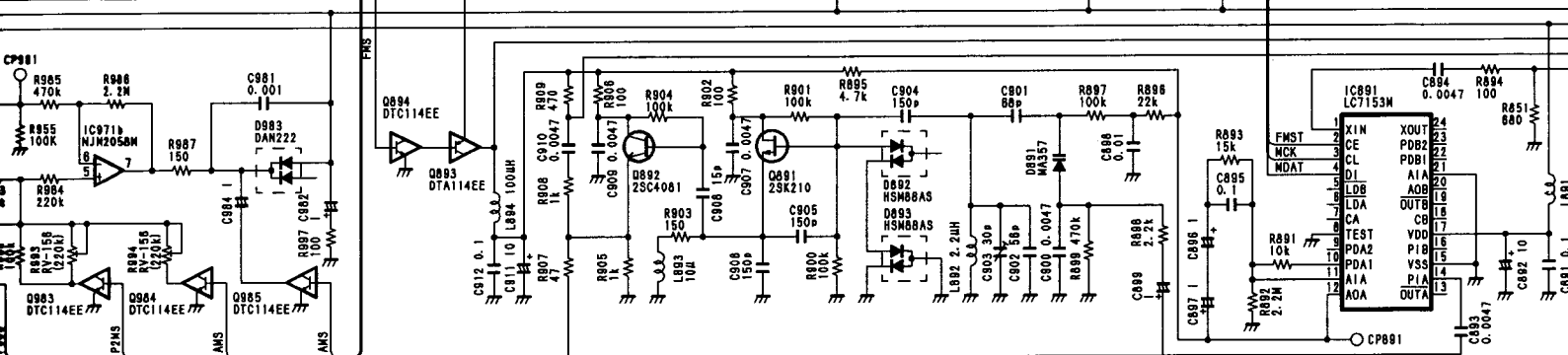
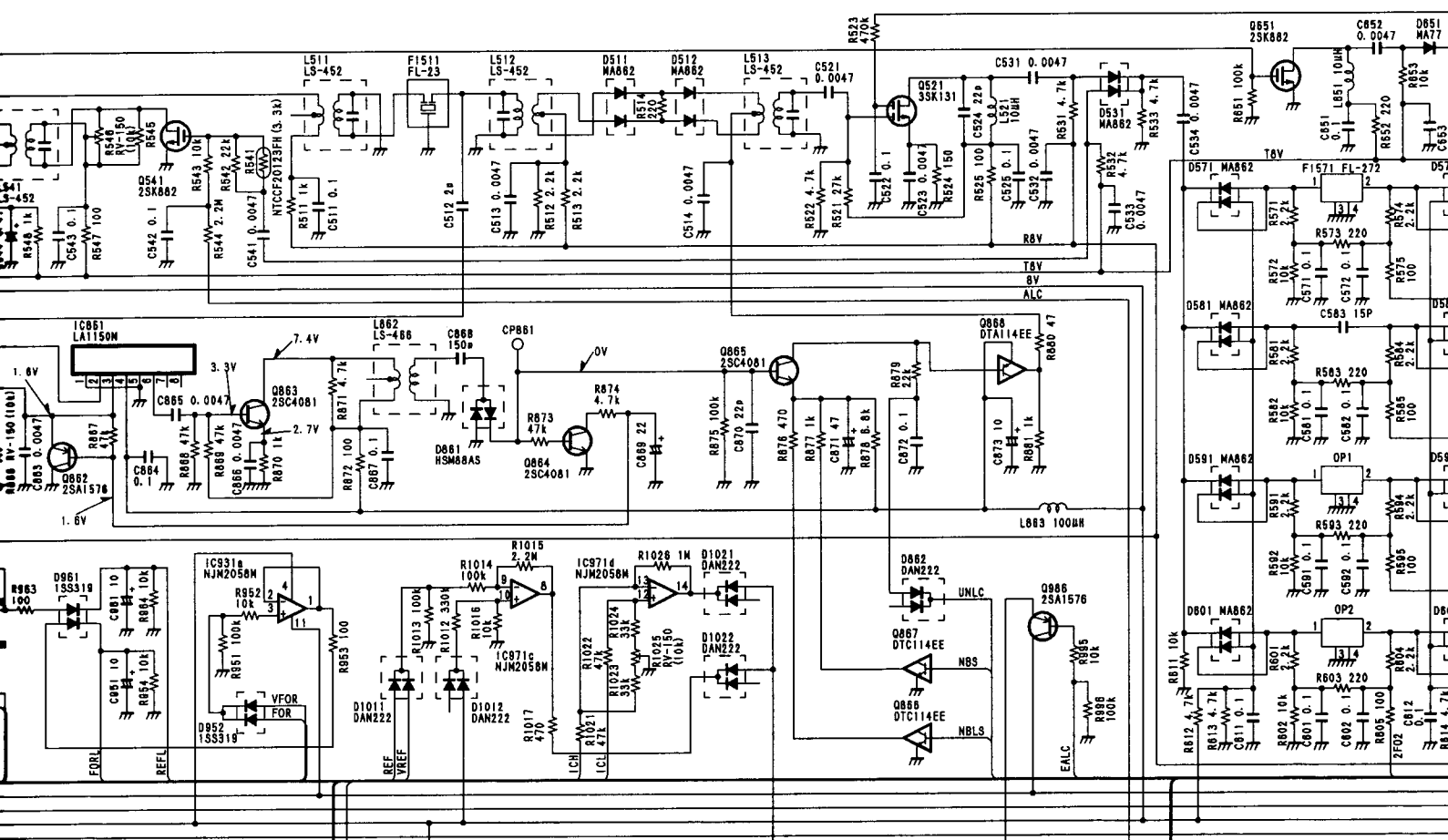


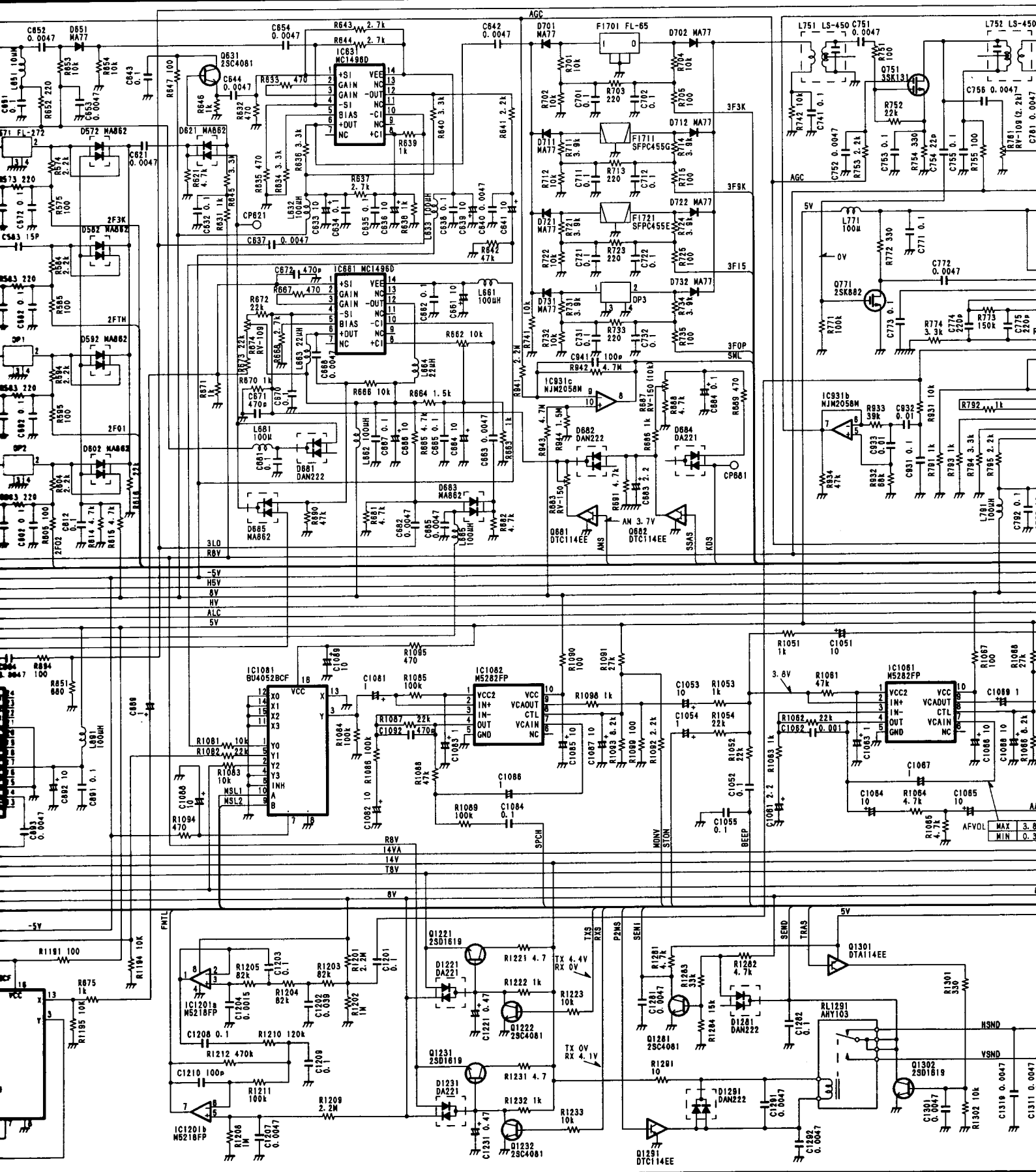
MAIN UNIT (2)

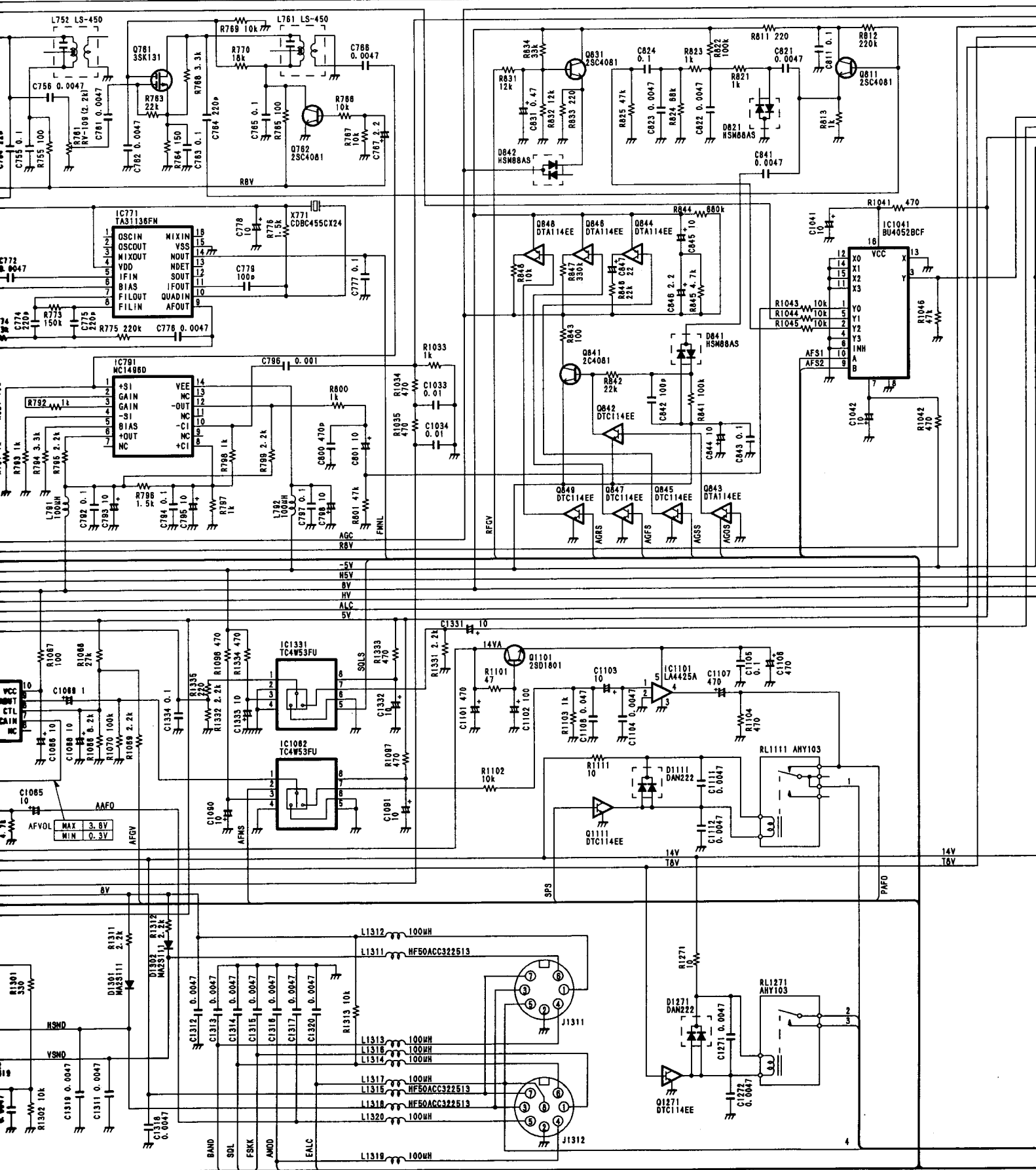


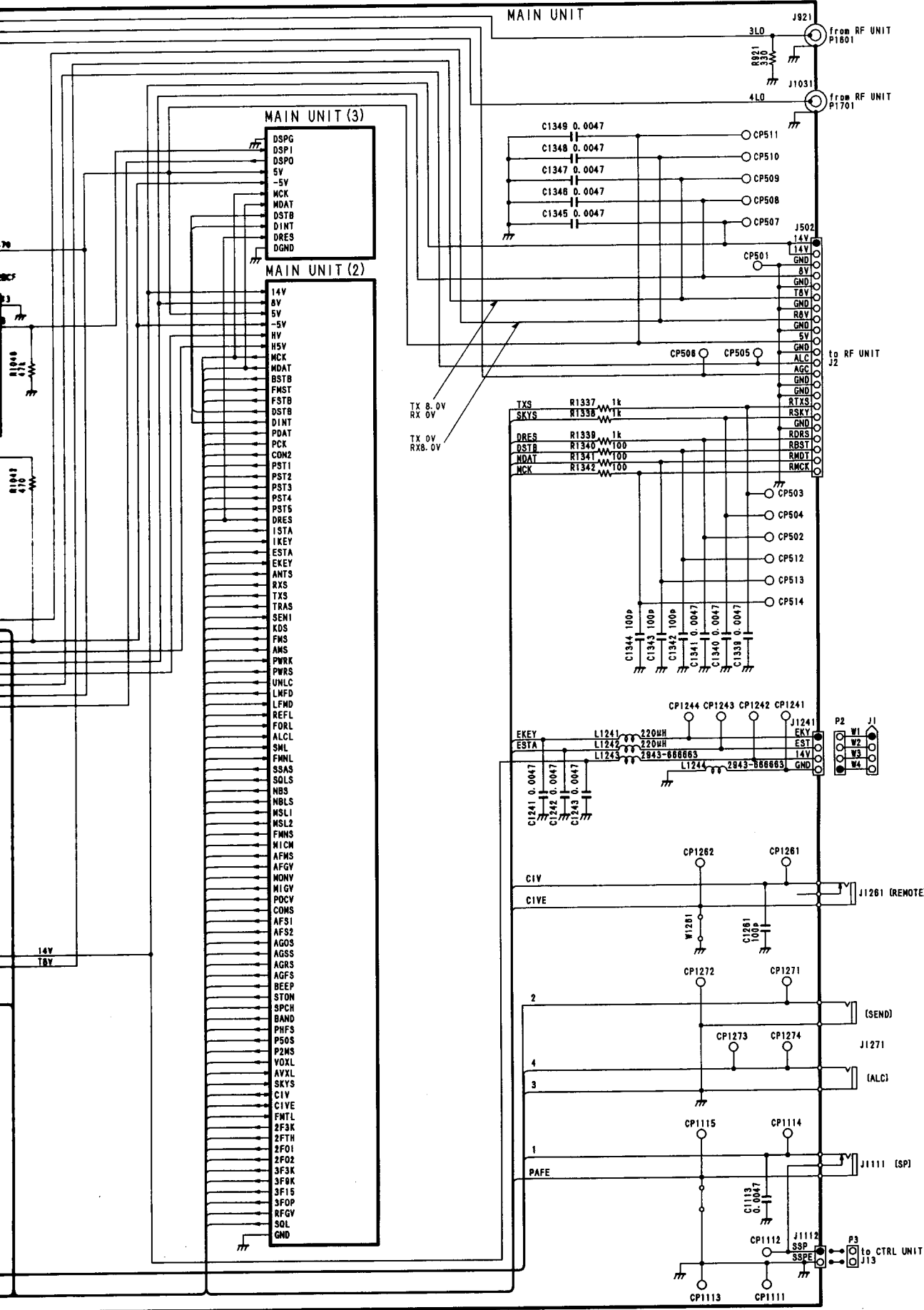


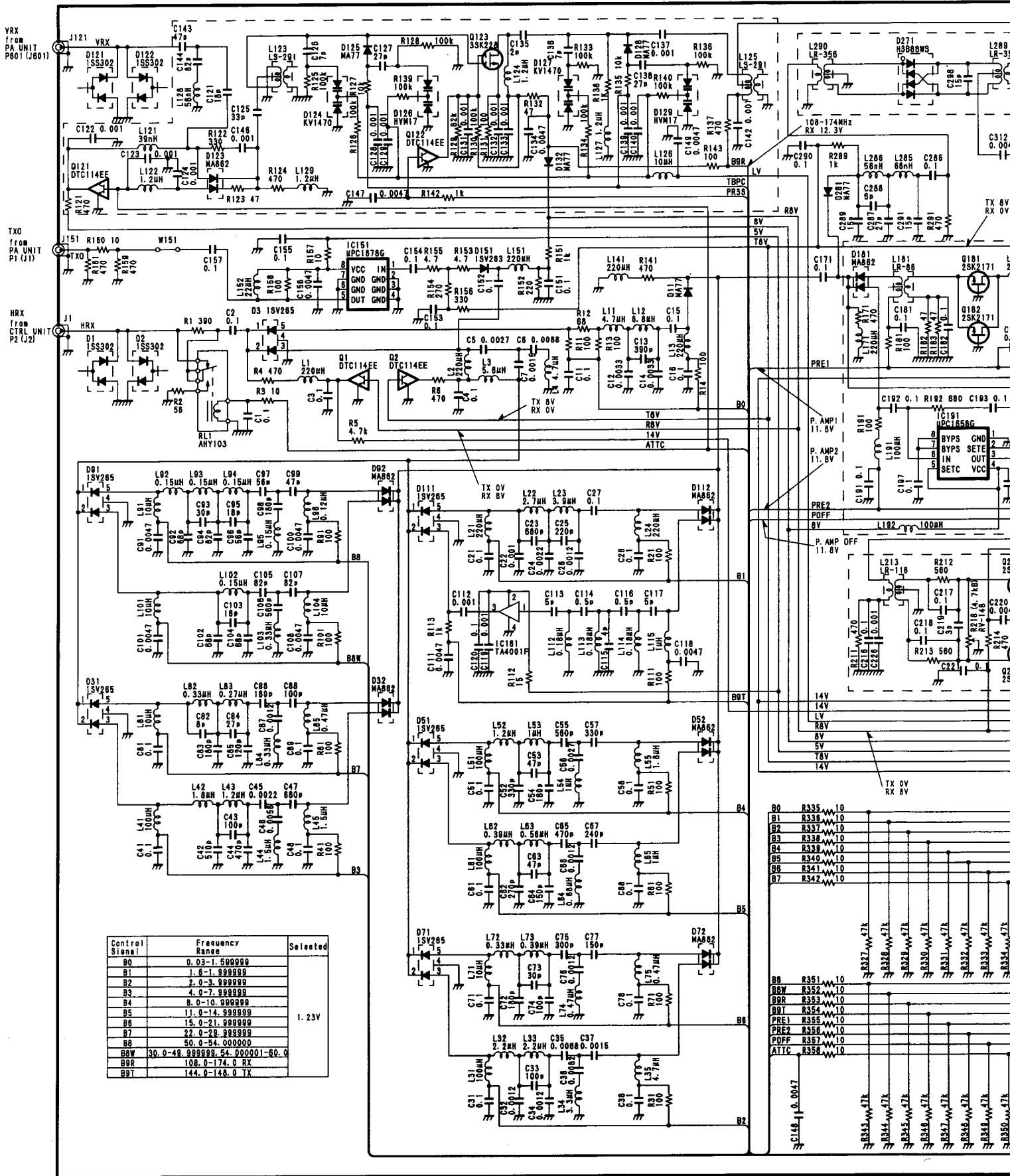
MAIN UNIT (3)

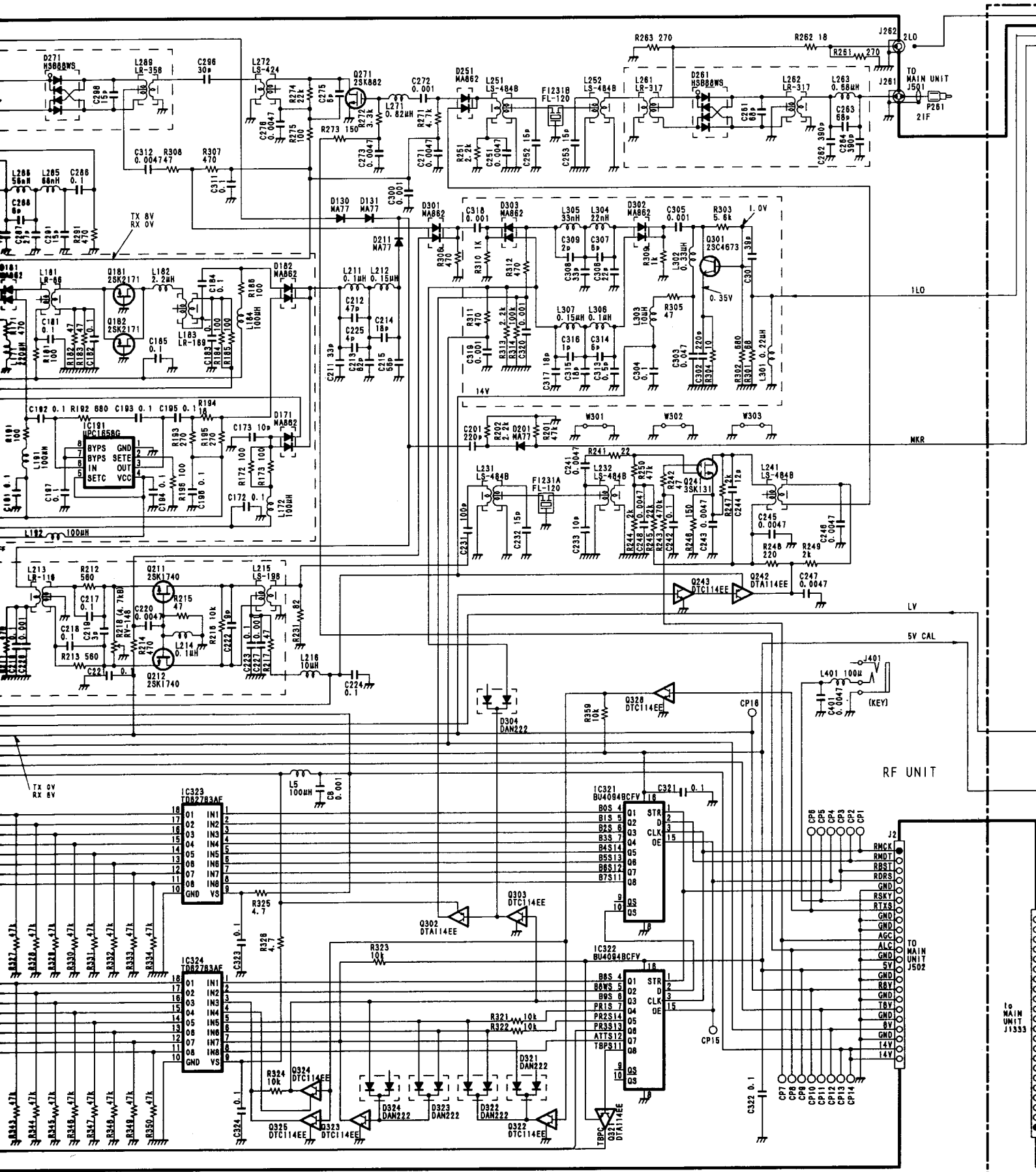












TO MAIN UNIT
J501
P261
21F

110

MKR

LV

5V CAL

RF UNIT

TO MAIN UNIT
J502

TO MAIN UNIT
J1333

14V

14V

14V

14V

14V

14V

14V

14V

14V

TO MAIN UNIT
15A1
21F

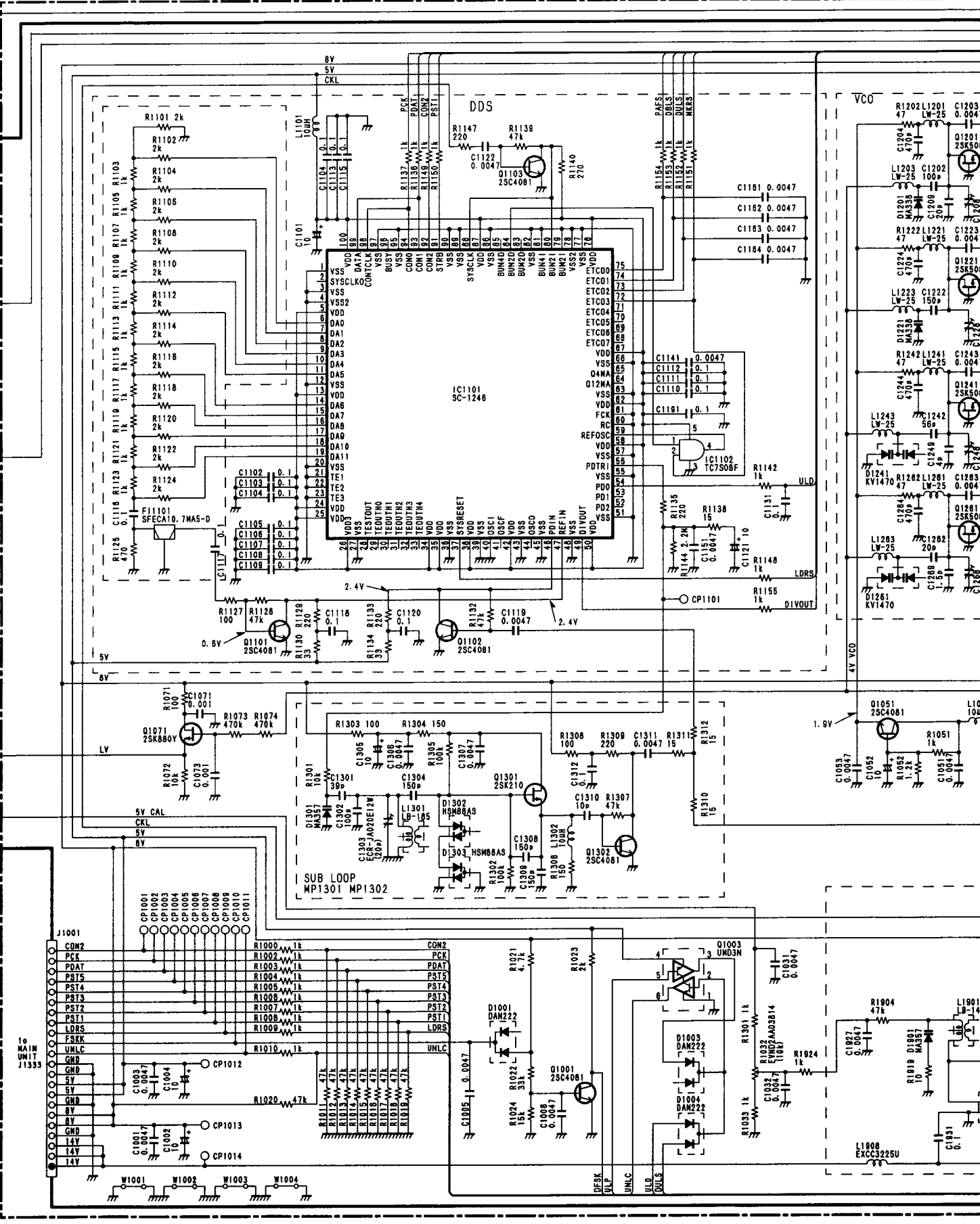
1.0

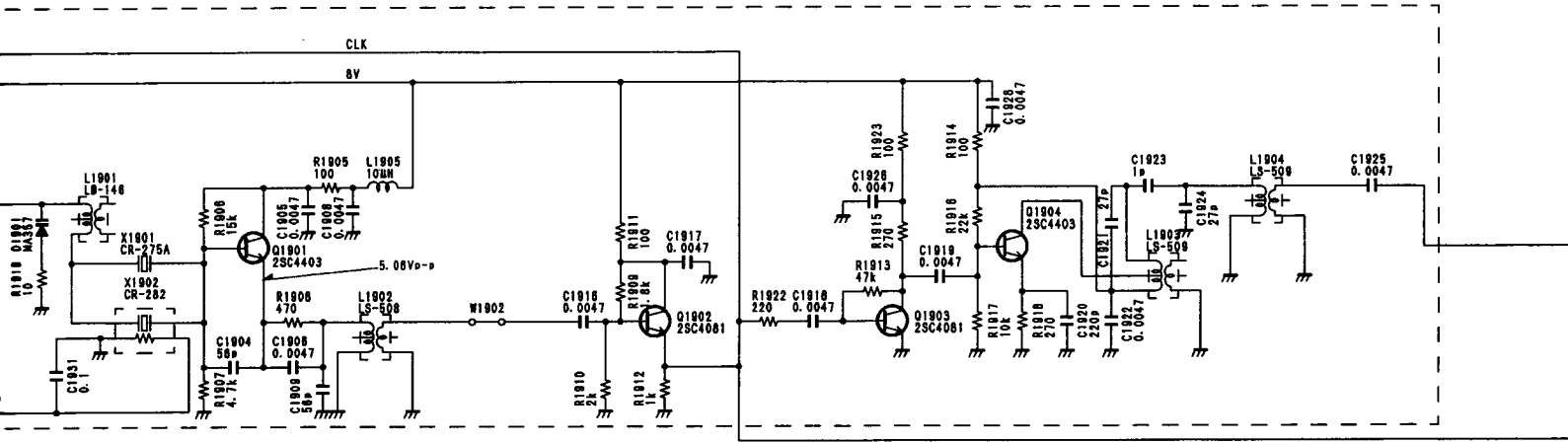
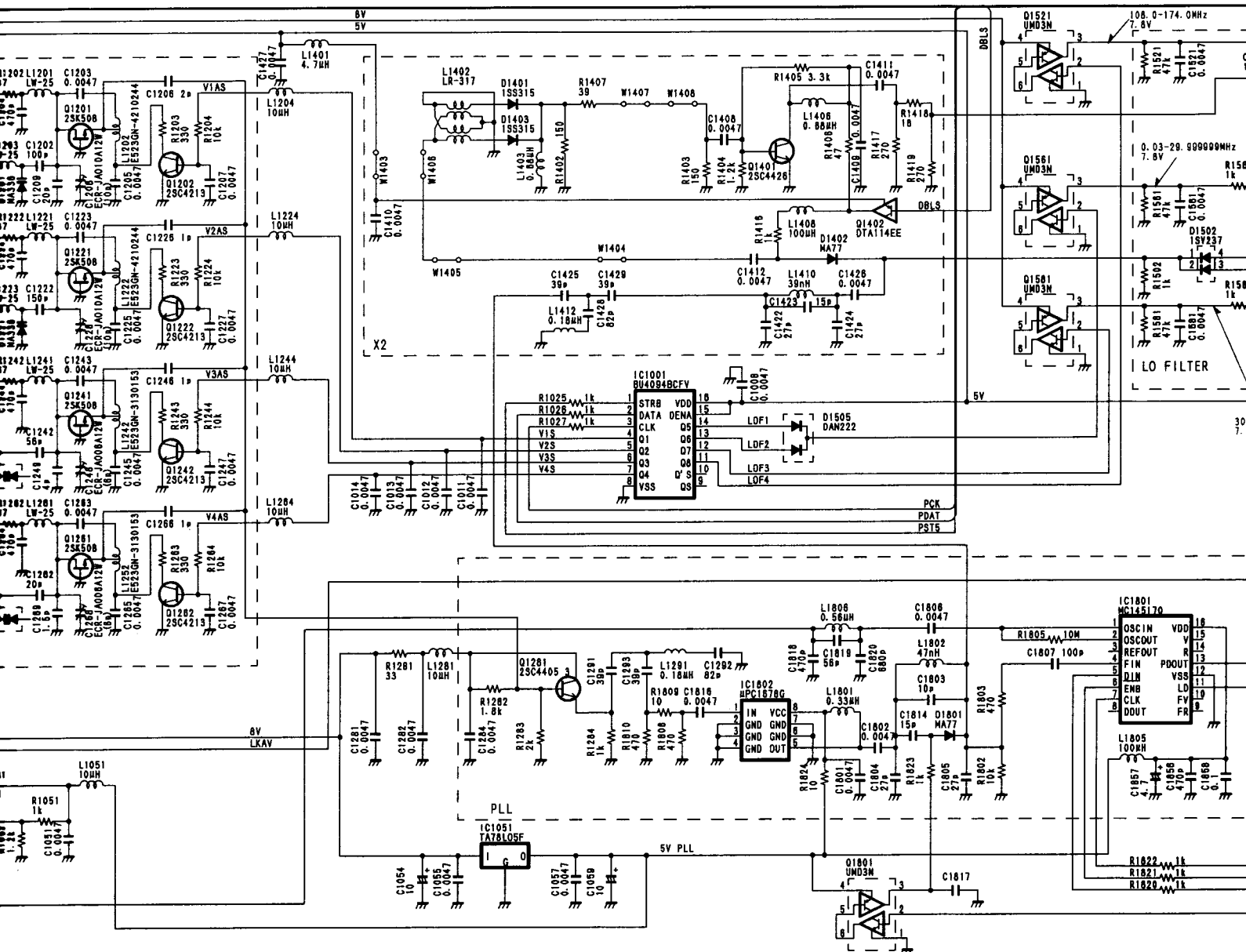
5V CAL

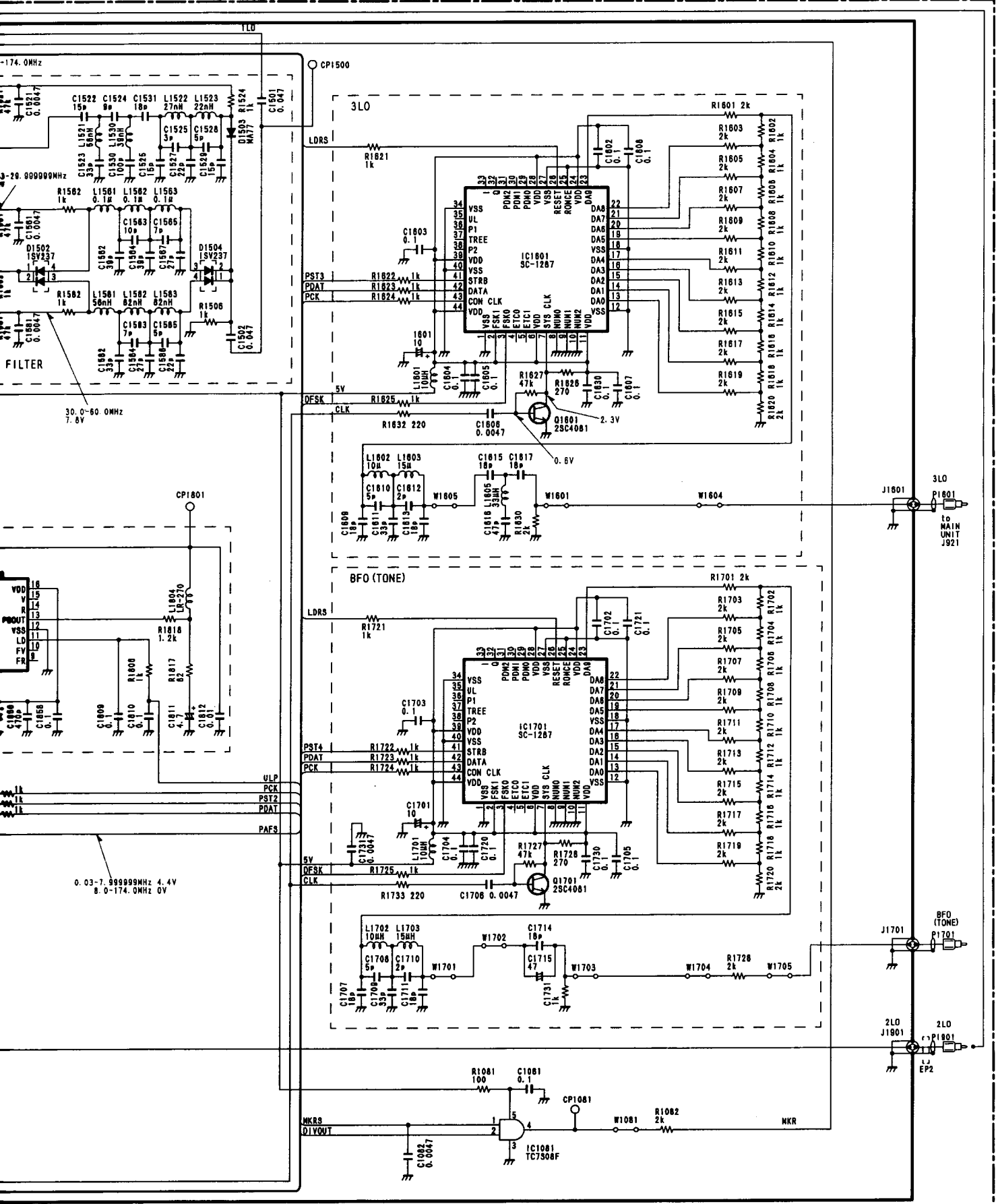
UNIT

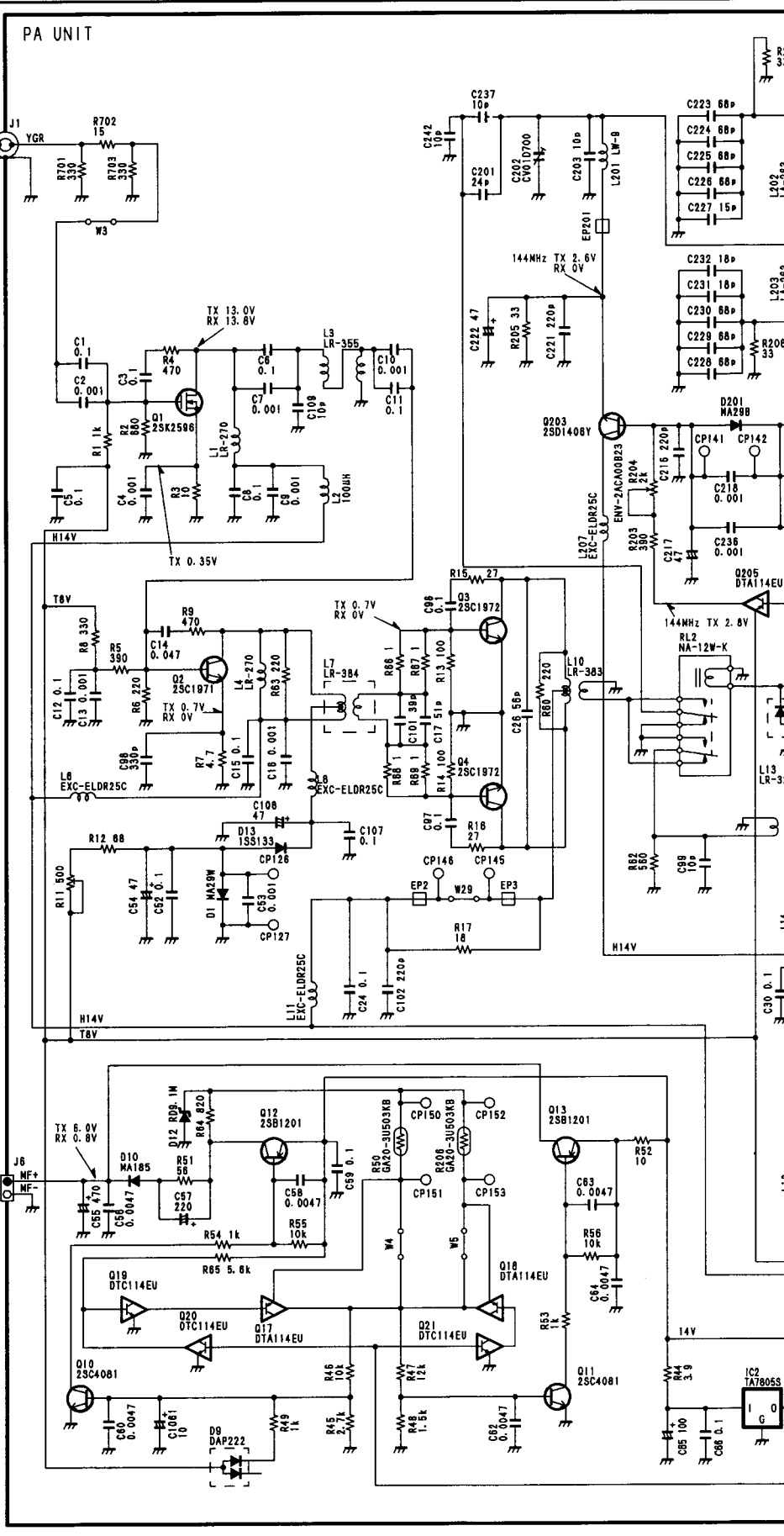
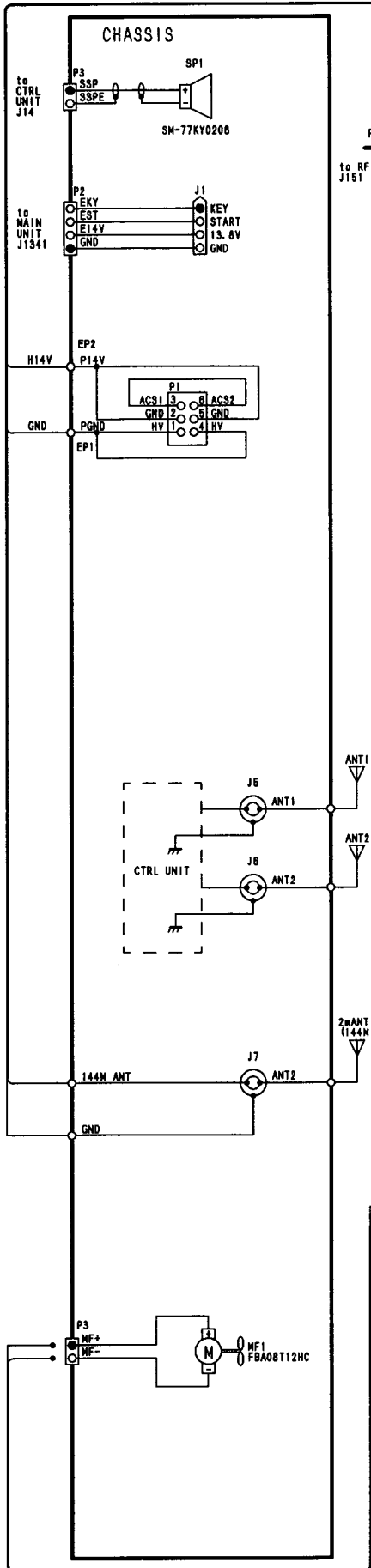
TO MAIN UNIT
15A1
21F

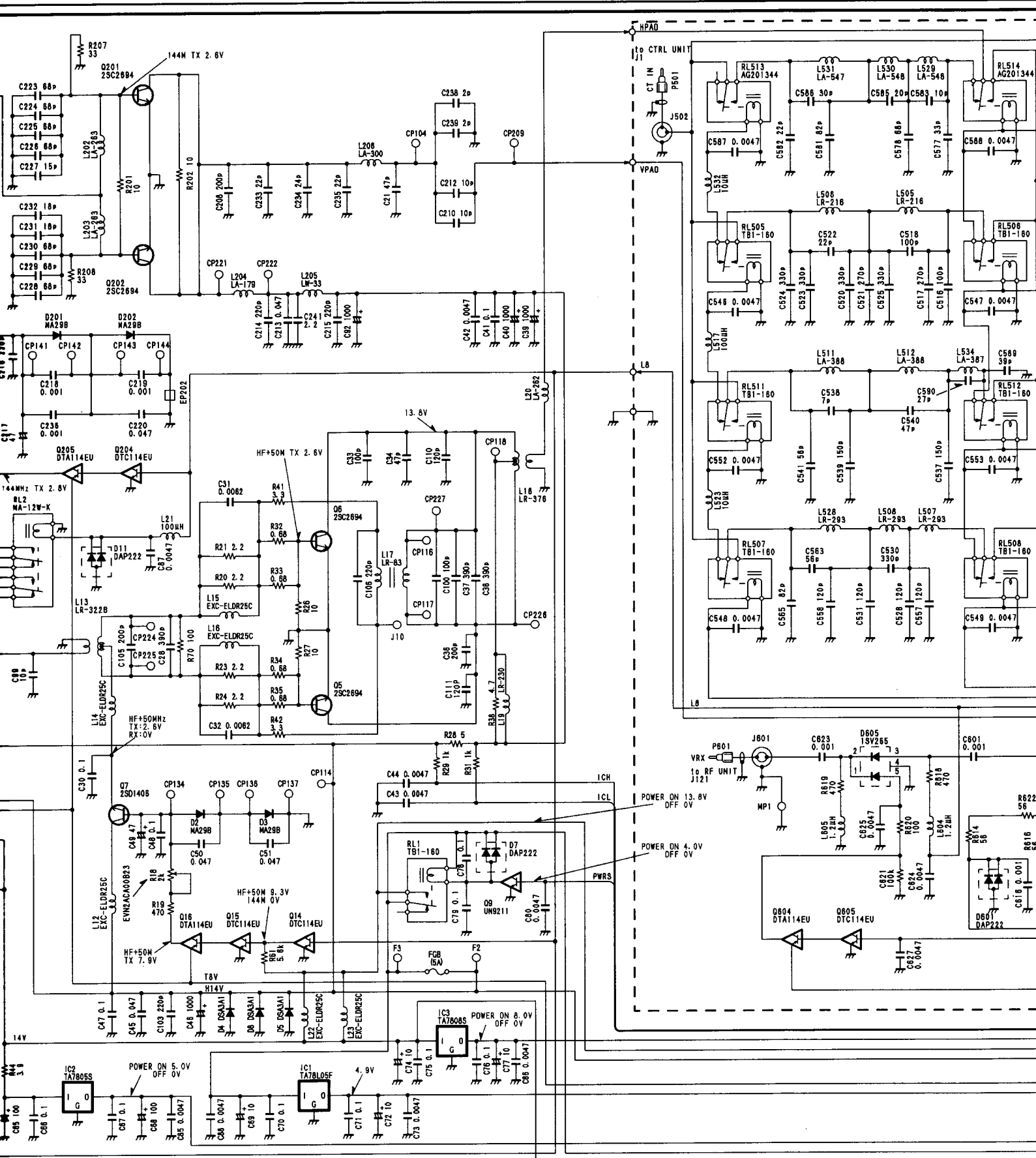
TO MAIN UNIT
11333

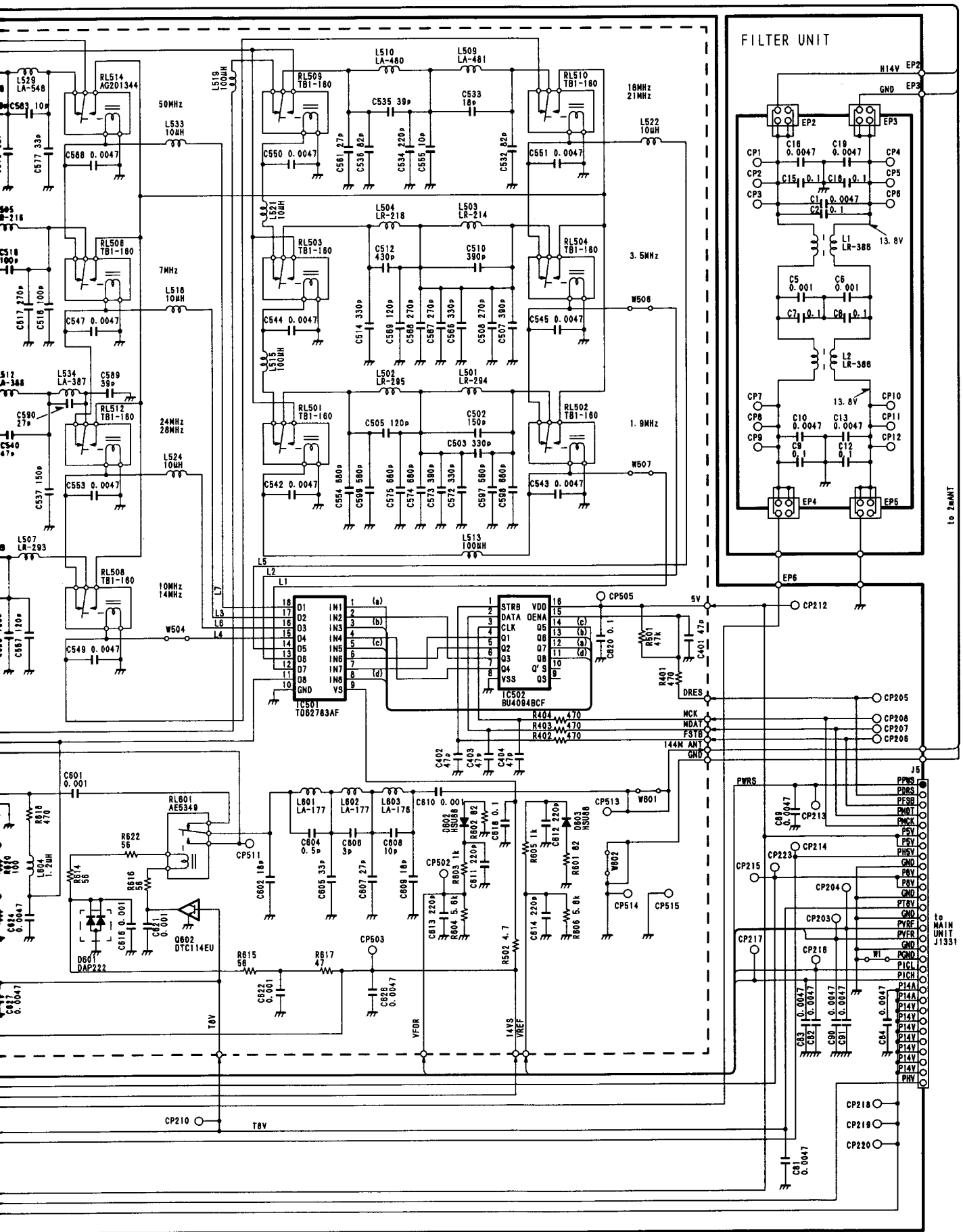








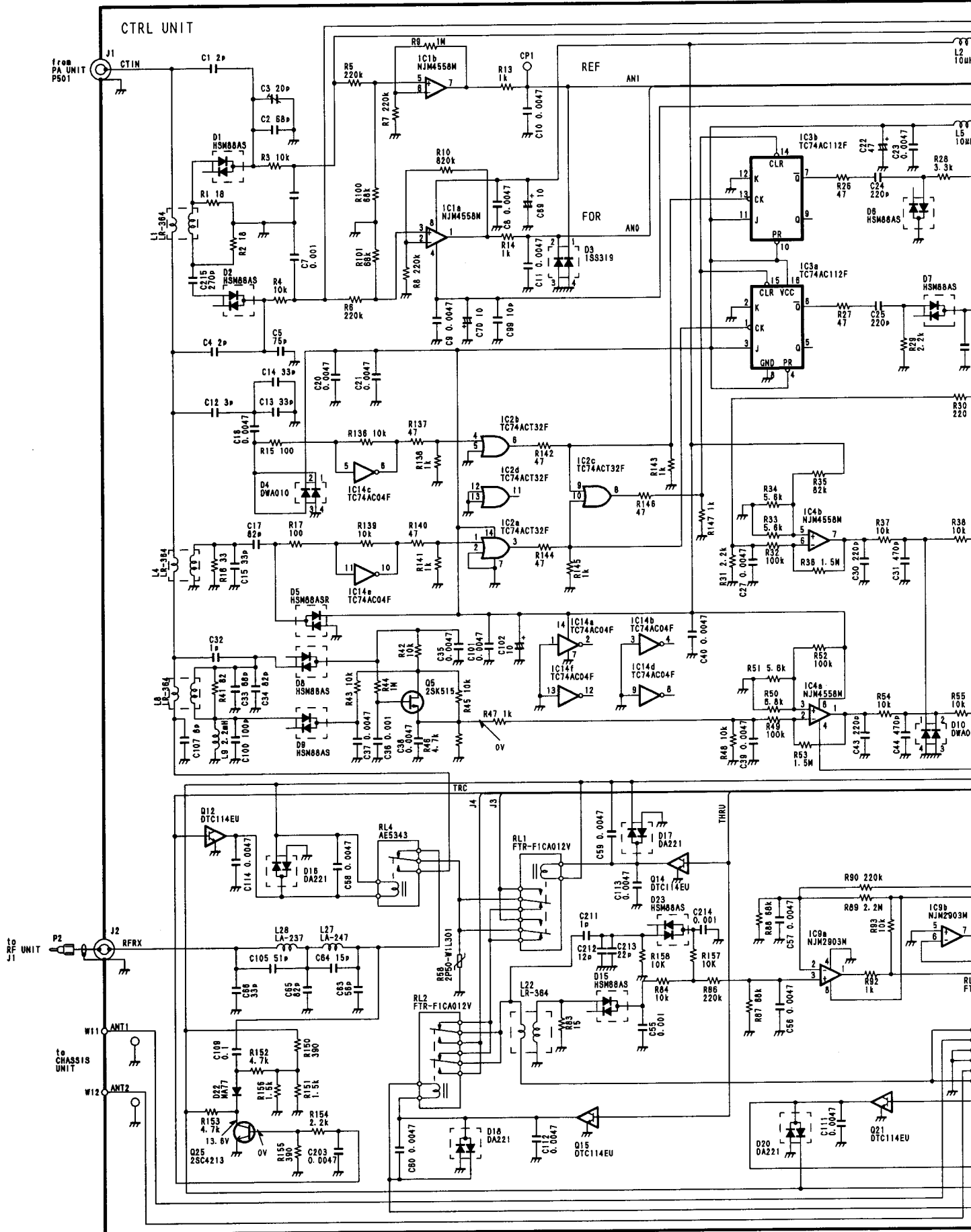


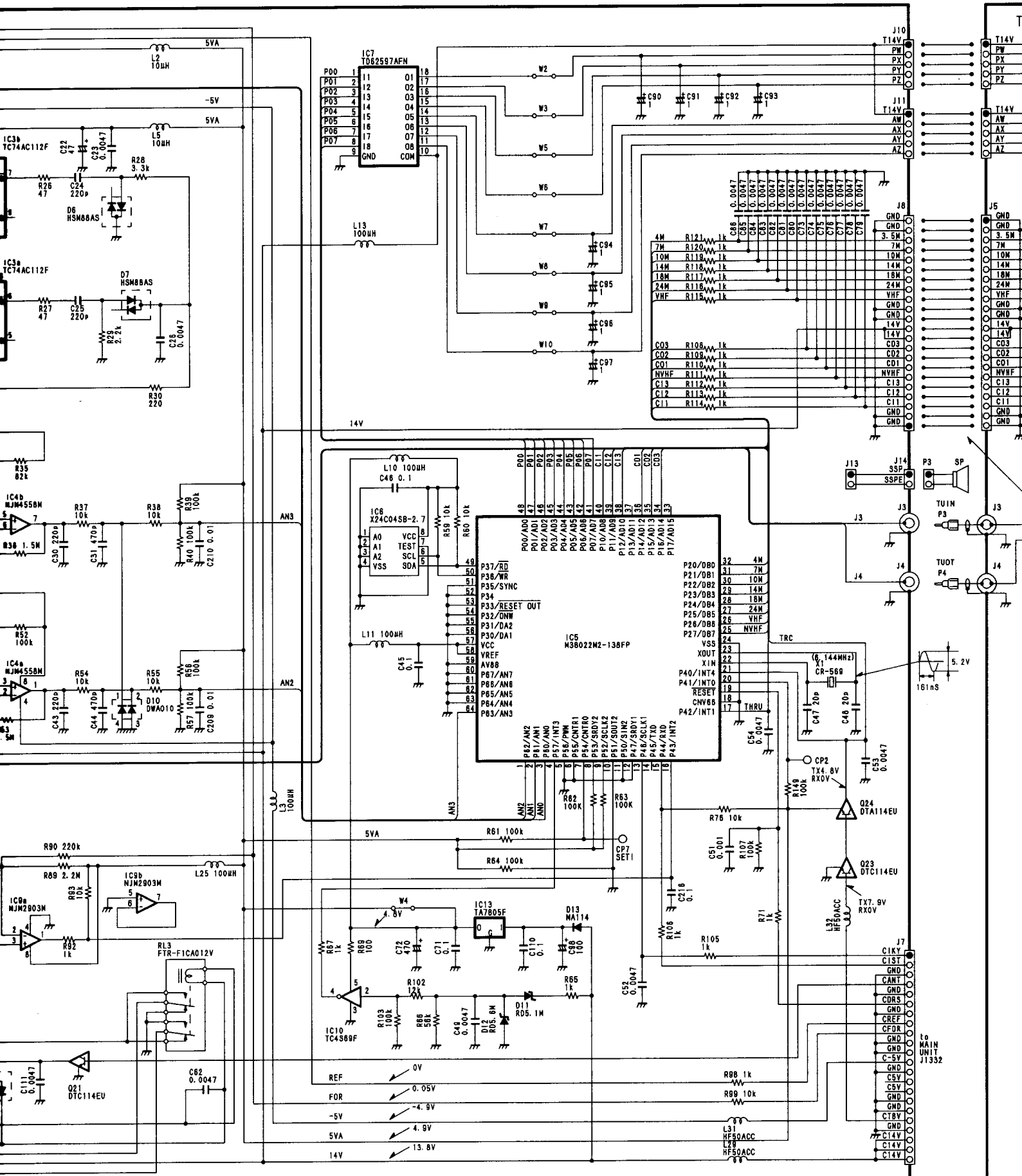


FILTER UNIT

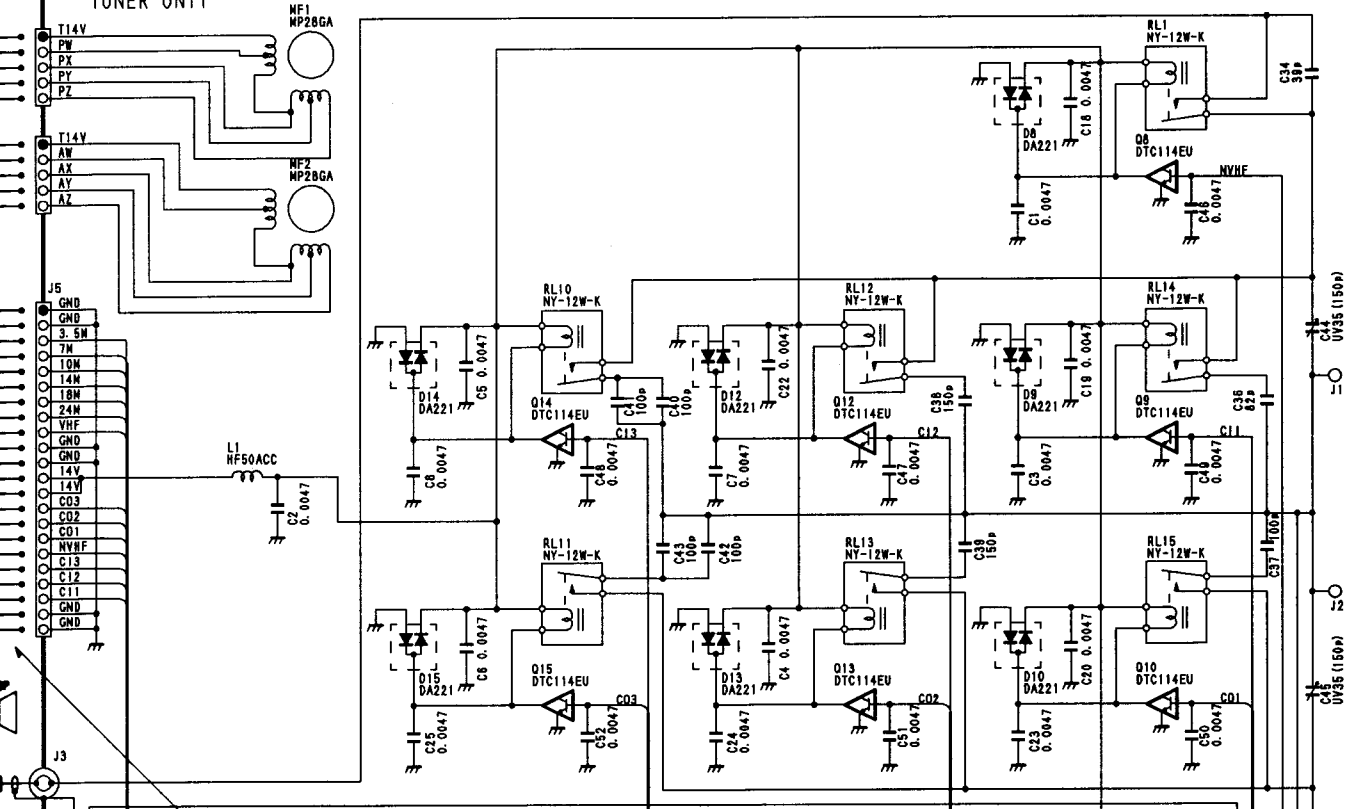
to ZmANT

to MAIN UNIT J1331

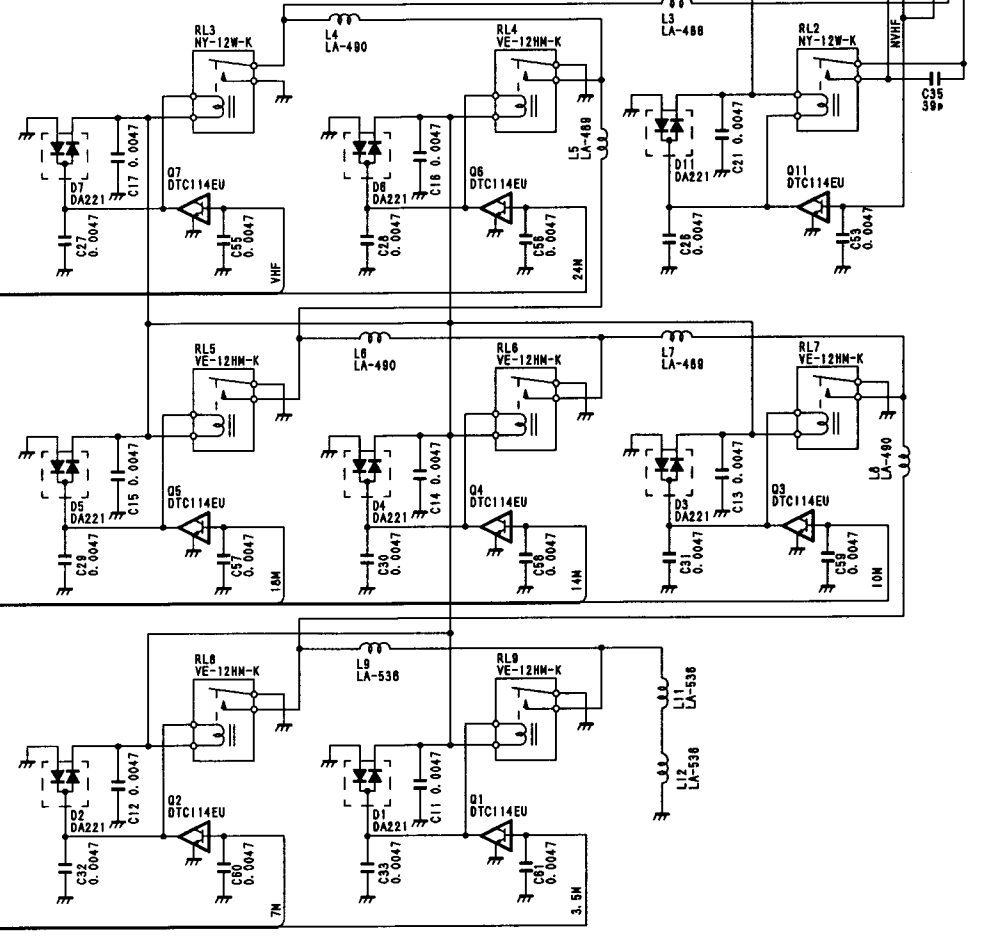




TUNER UNIT



SIGNAL	SELECT	OFF
3.5M	4.3V	DV
7M	4.3V	DV
10M	4.3V	DV
14M	4.3V	DV
18M	4.3V	DV
24M	4.3V	DV
VHF	4.3V	DV
CD3	4.3V	DV
CD2	4.3V	DV
CD1	4.3V	DV
C13	4.3V	DV
C12	4.3V	DV
C11	4.3V	DV



Icom Inc.

6-9-16, Kamihigashi, Hirano-ku, Osaka 547-0002, Japan
Phone : 06 6793 5302
Fax : 06 6793 0013

Icom America Inc.

<Corporate Headquarters>
2380 116th Avenue N.E., Bellevue, WA 98004, U.S.A.
Phone : (425) 454-8155 Fax : (425) 454-1509
URL : <http://www.icomamerica.com>
<Customer Service>
Phone : (425) 454-7619

Icom Canada

3071 #5 Road, Unit 9, Richmond, B.C., V6X 2T4, Canada
Phone : (604) 273-7400 Fax : (604) 273-1900
URL : <http://www.icomcanada.com>

Icom (Australia) Pty. Ltd.

A.C.N. 006 092 575
290-294 Albert Street, Brunswick, Victoria, 3056, Australia
Phone : 03 9387 0666 Fax : 03 9387 0022
URL : <http://www.icom.net.au>

Asia Icom Inc.

6F No. 68, Sec. 1 Cheng-Teh Road, Taipei, Taiwan, R.O.C.
Phone : (02) 2559 1899 Fax : (02) 2559 1874

Icom (Europe) GmbH

Communication Equipment
Himmelgeister Str. 100, D-40225 Düsseldorf, Germany
Phone : 0211 346047 Fax : 0211 333639
URL : <http://www.icomeurope.com>

Icom Spain S.L.

Crta. de Gracia a Manresa Km. 14,750
08190 Sant Cugat del Valles Barcelona, SPAIN
Phone : (93) 590 26 70 Fax : (93) 589 04 46
URL : <http://www.icomspain.com>

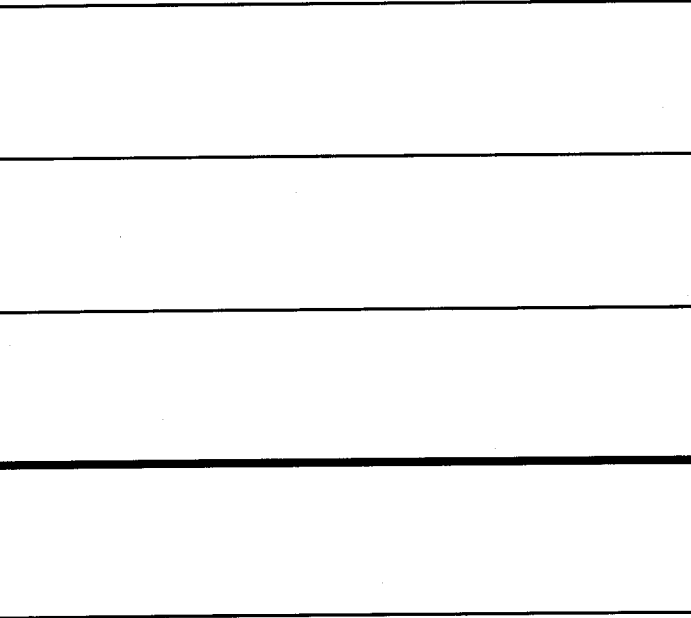
Icom (UK) Ltd.

Unit 9, Sea St., Herne Bay, Kent, CT6 8LD, U.K.
Phone : 01227 741741 Fax : 01227 741742
URL : <http://www.icomuk.co.uk>

Icom France Sa

Zac de la Plaine, Rue Brindejonc des Moulinais
BP 5804, 31505 Toulouse Cedex, France
Phone : 561 36 03 03 Fax : 561 36 03 00
URL : <http://www.icom-france.com>

Count on us!



Downloaded by
RadioAmateur.EU